

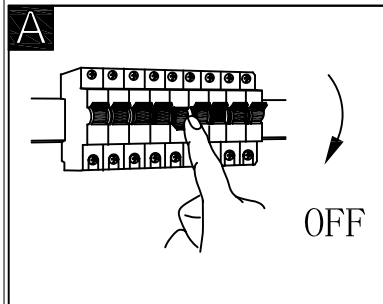
Front side

GLOBO

LIGHTING

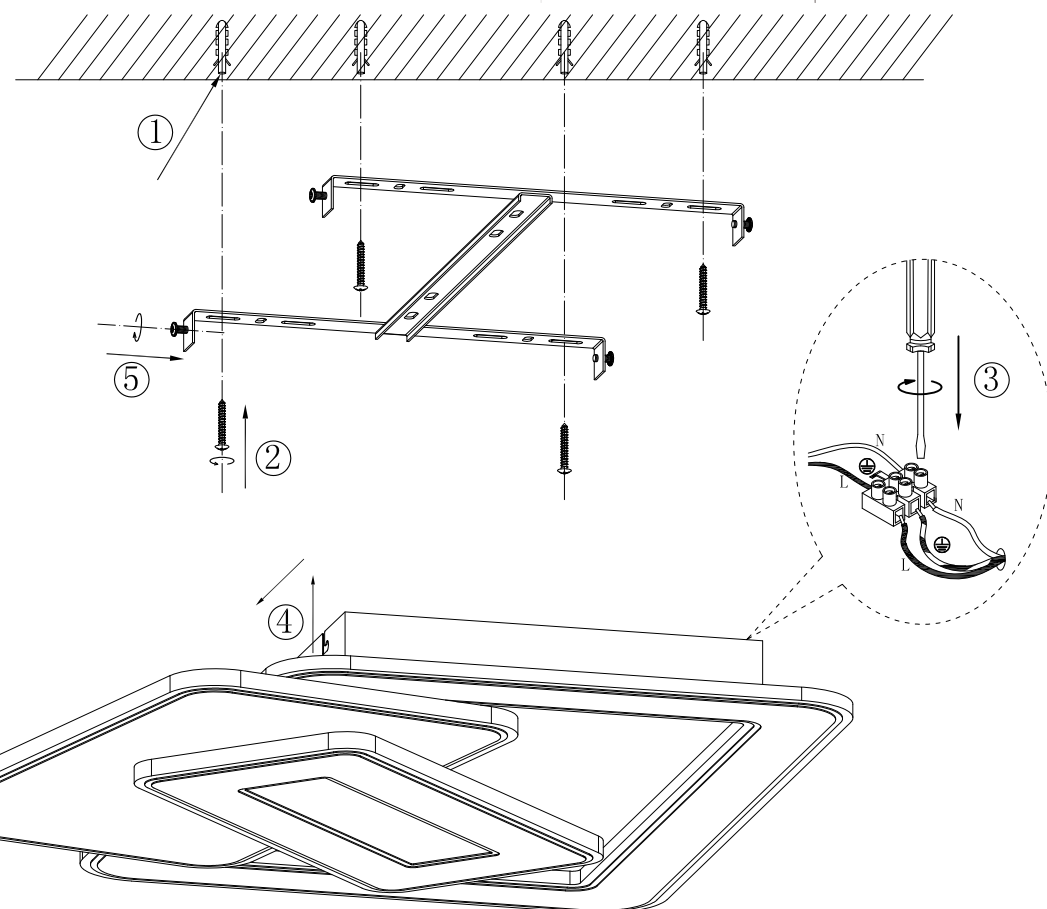
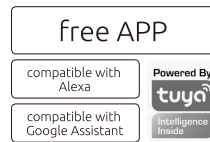
48548SH

smart voice control 

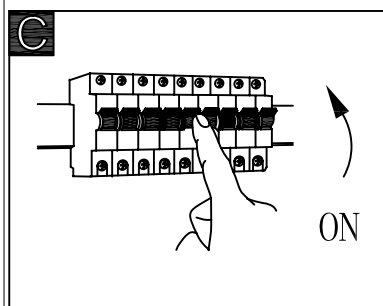
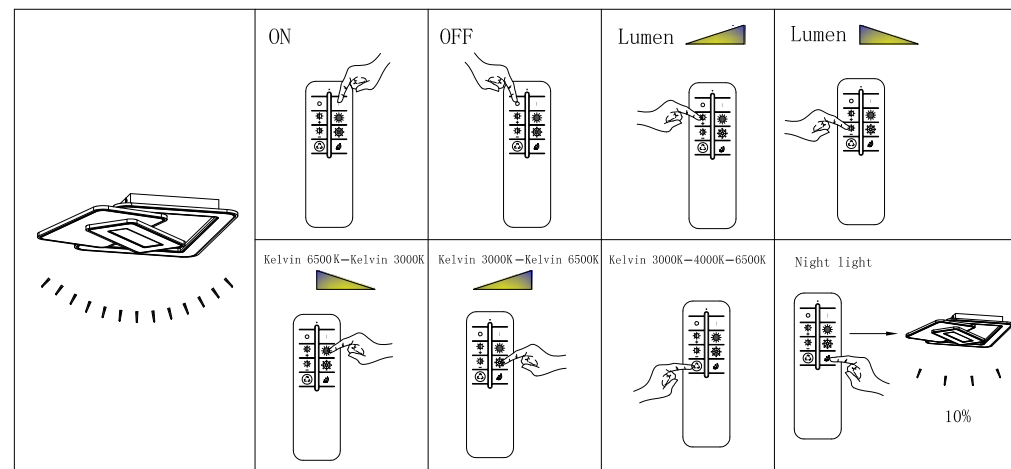


- B**
- 3 LIGHT STEPS 3000 K - 6500 K
 - APP
 - 3000 K - 6500 K
 - dimmable
 - incl.
 - memory function
 - many steps
 - night light

smart APP control



Frequency Bandwidth	Maximal radiation transmitting power
2445MHz	6dBm



GLOBO Handels GmbH
 Gewerbestrasse 3
 A-9184 Sankt Peter, AUSTRIA
www.globo-lighting.com

Back side

Download Tuya App:



Functional Video:



Tuya App - Pairing Process

