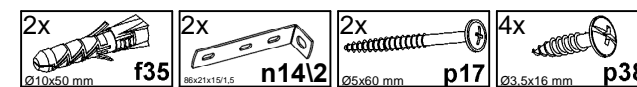
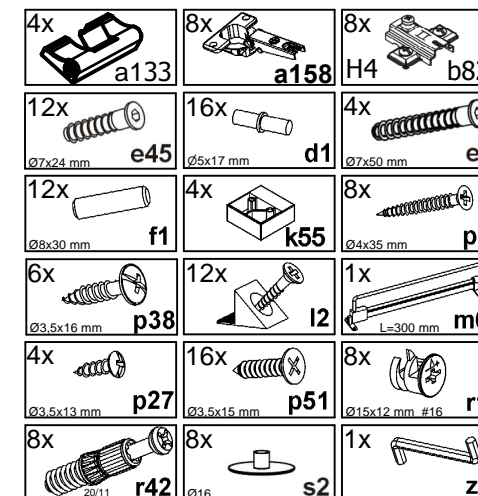
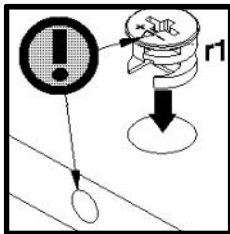
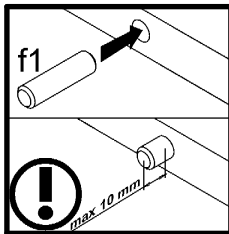
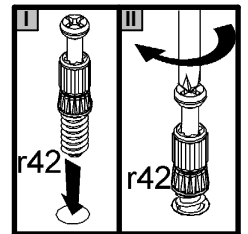
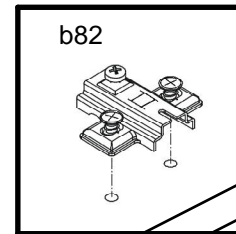
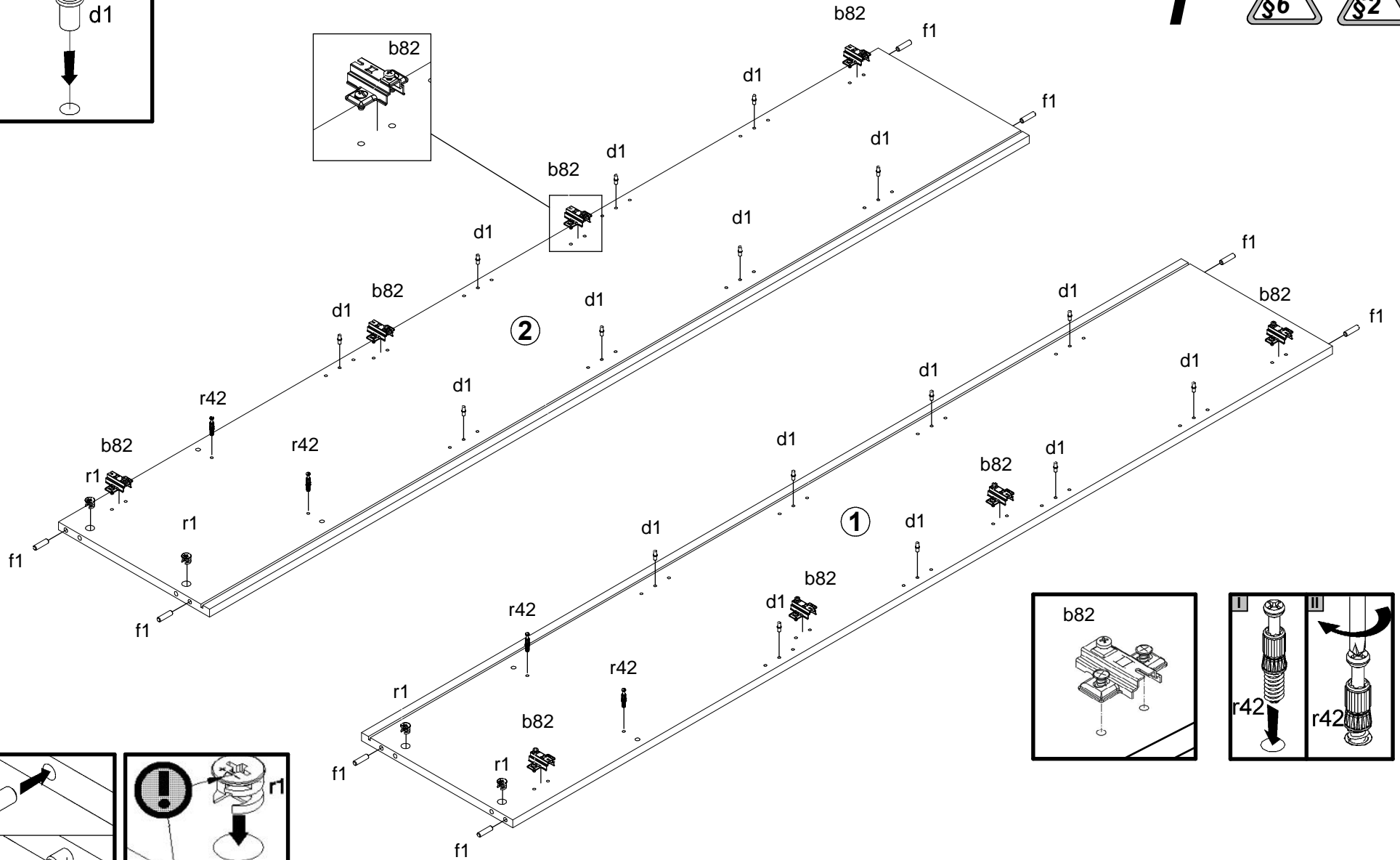
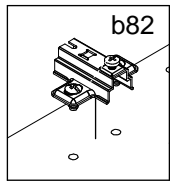
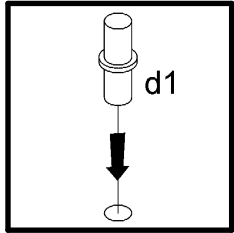







A	B	C1	C2	C3	D
1	M231-1001	1904	351	16	2/2
2	M231-1002	1904	351	16	2/2
3	M231-2001	651	374,	22	1/2
4	M231-2002	651	351	16	1/2
5	M231-3001	617	331	16	2/2
6	M231-3002	618	331	16	2/2
7	M231-5001	231	100	12,	2/2
8	M231-5002	381	100	12,	2/2
9	M231-7001	848	246	19	1/2
10	M231-7002	1050	246	19	1/2
11	M231-7003	864	396	19	1/2
12	M231-7004	1050	396	19	1/2
13	M231-9301	1914,	627,	2,5	2/2

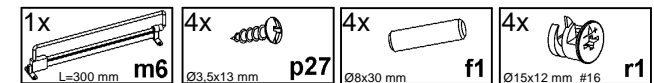
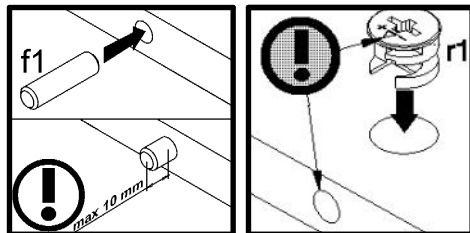
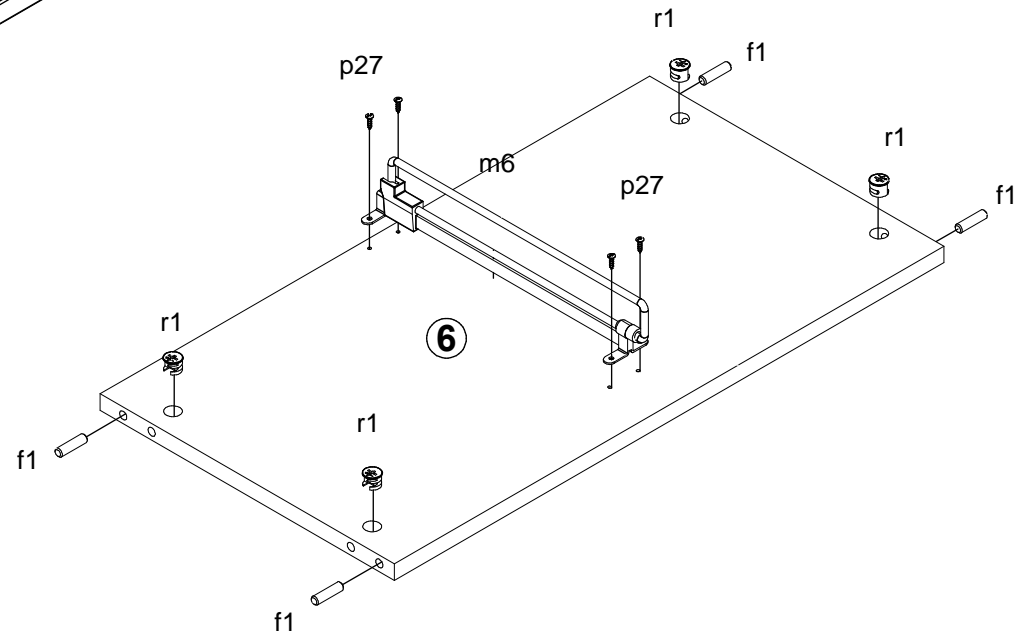
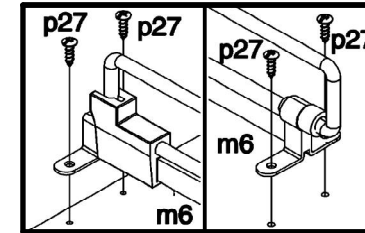
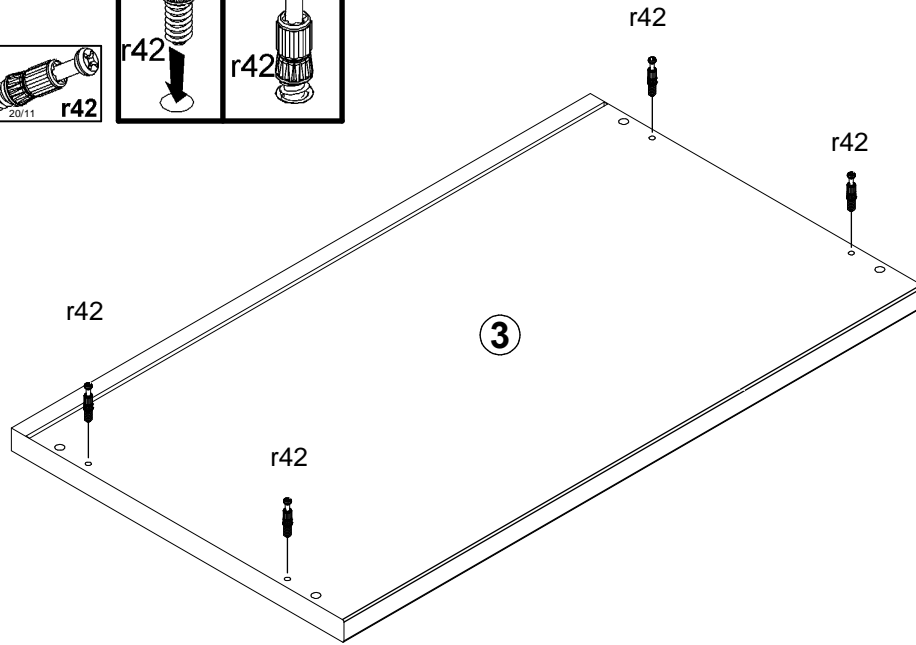
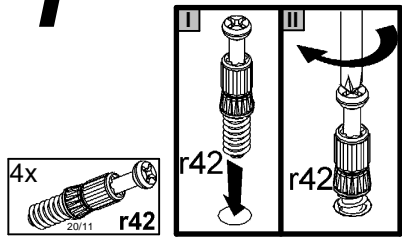


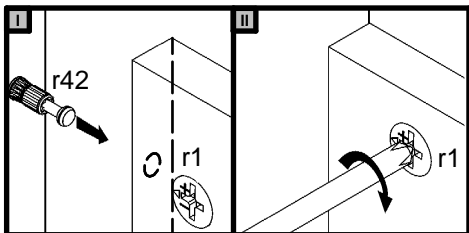
1



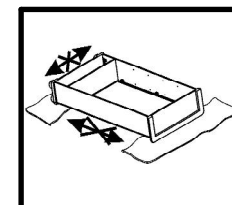
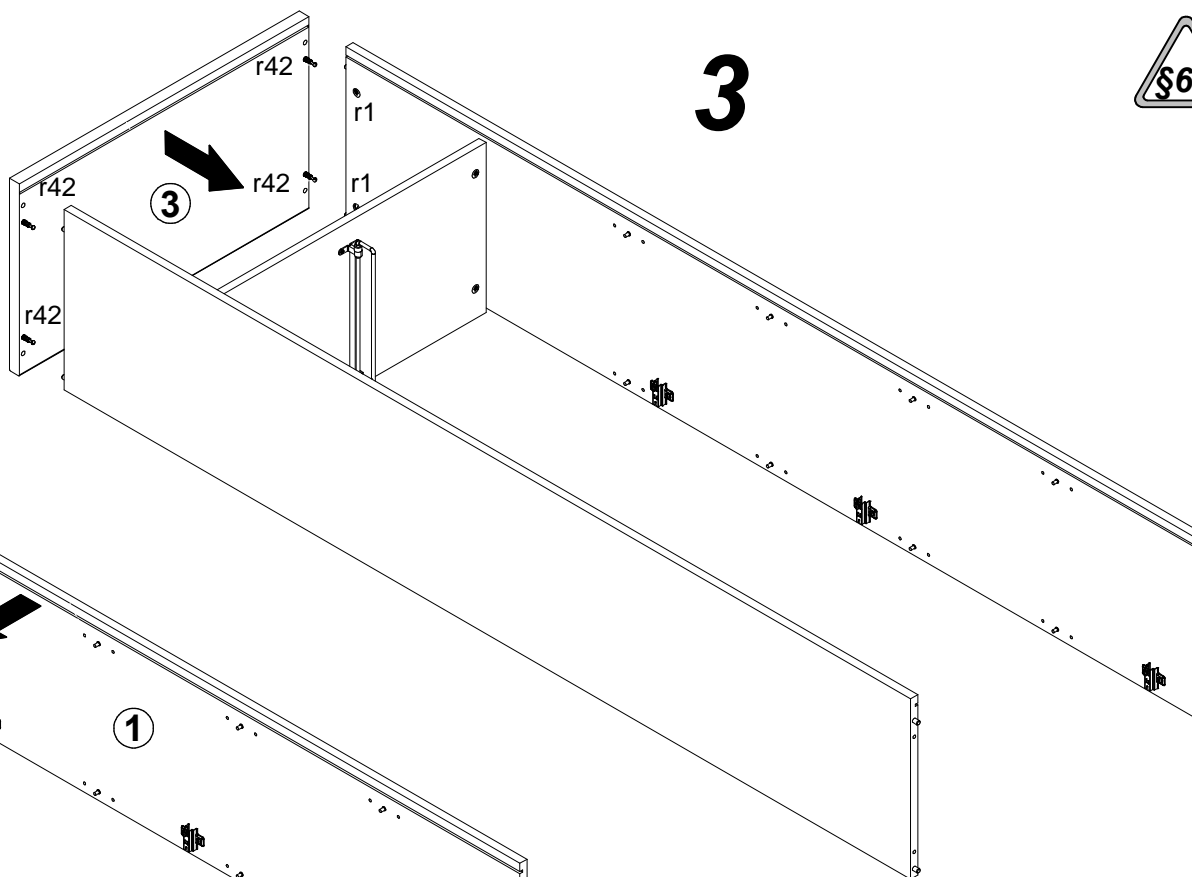
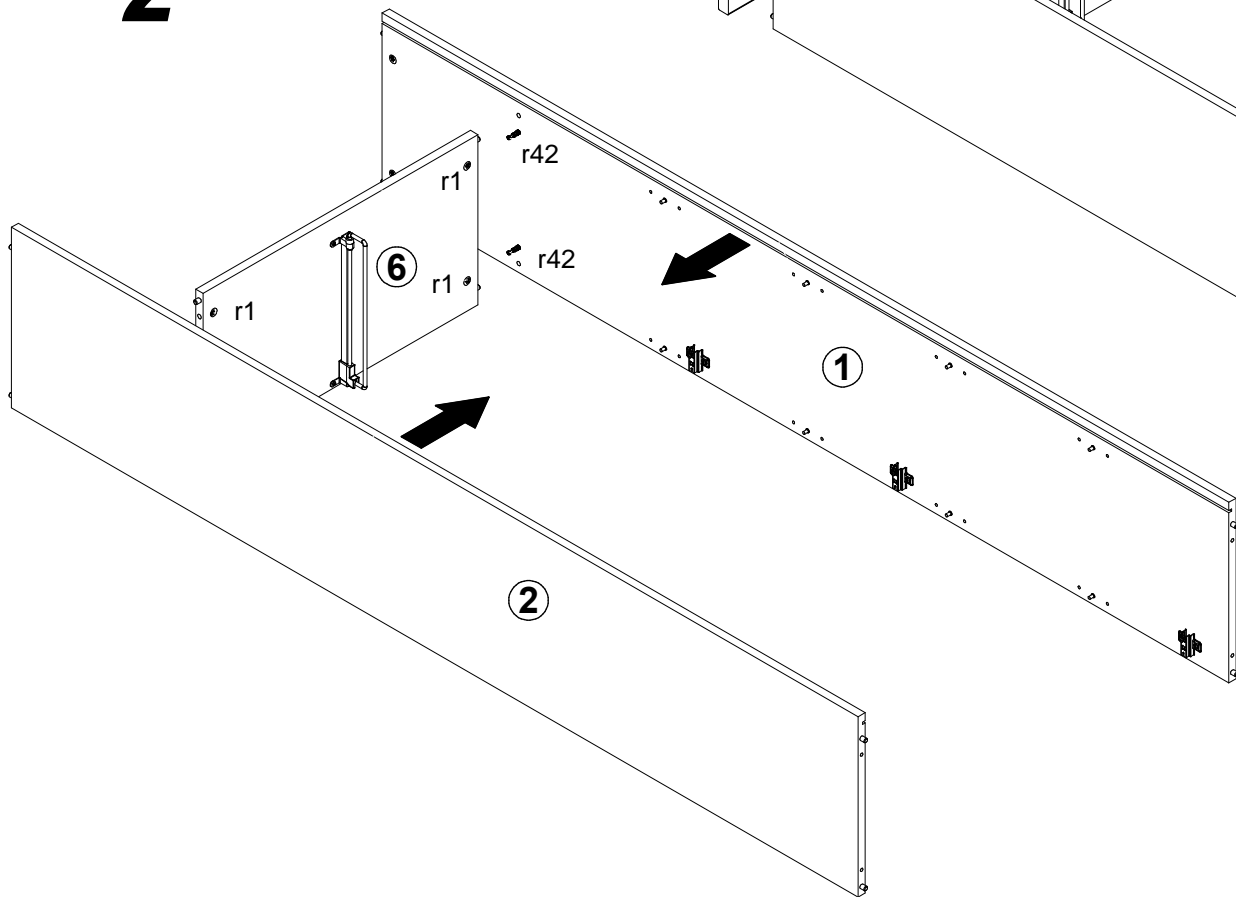
8x H4 	8x 	4x 	16x 	4x 
	Ø8x30 mm		Ø5x17 mm	20/11

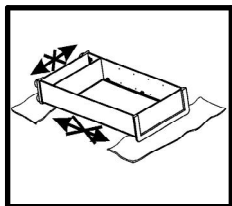
1





2

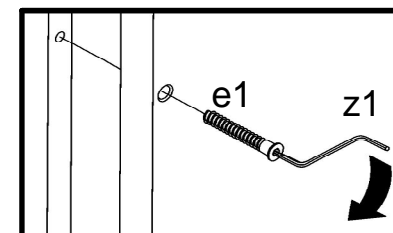
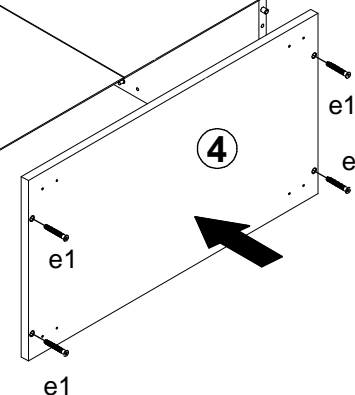
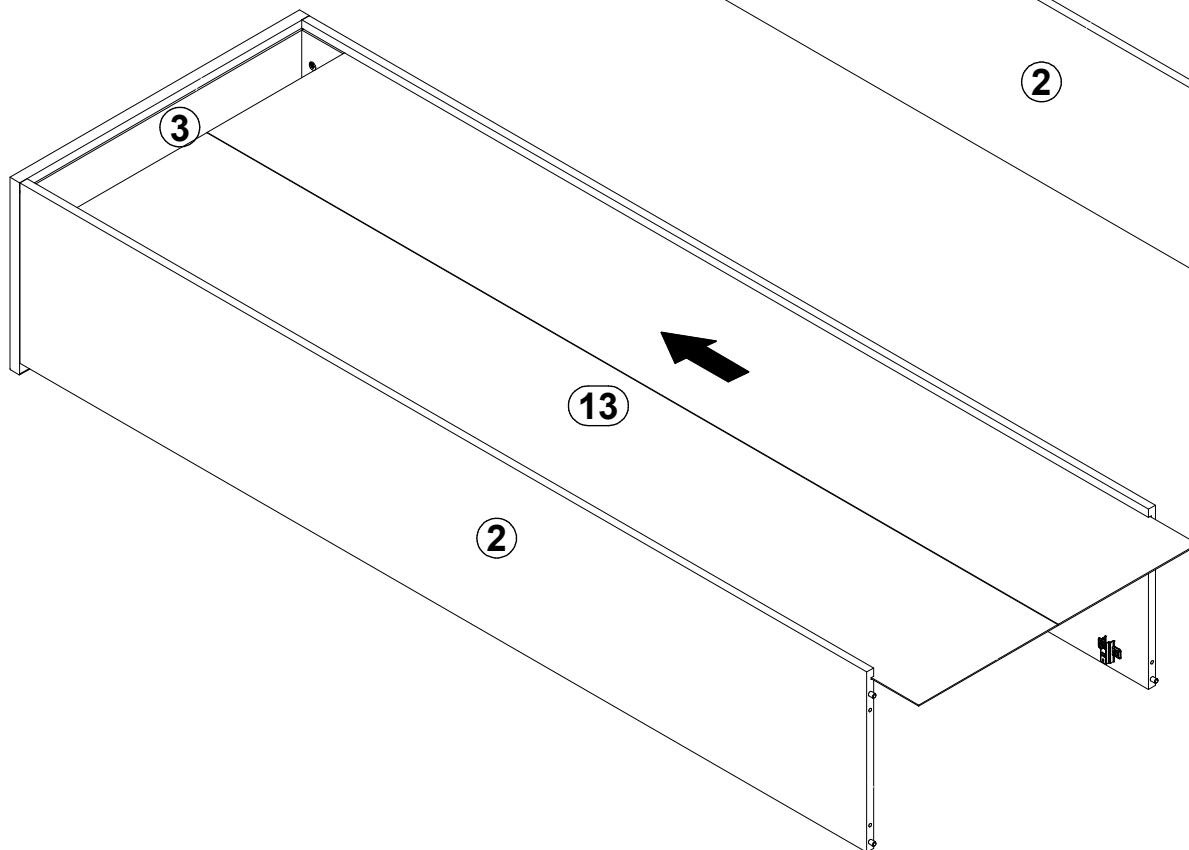


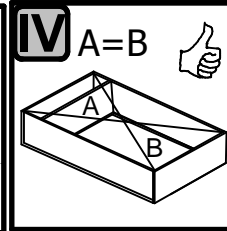
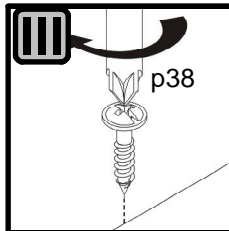
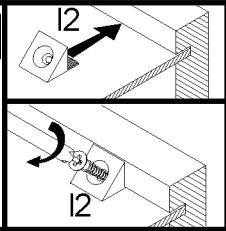
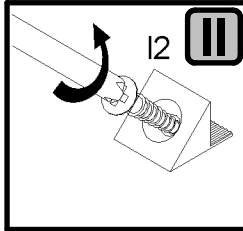
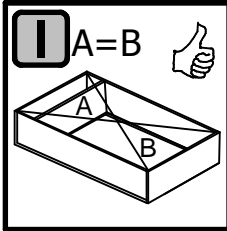


5

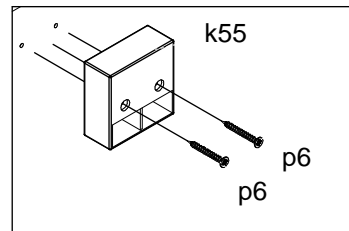
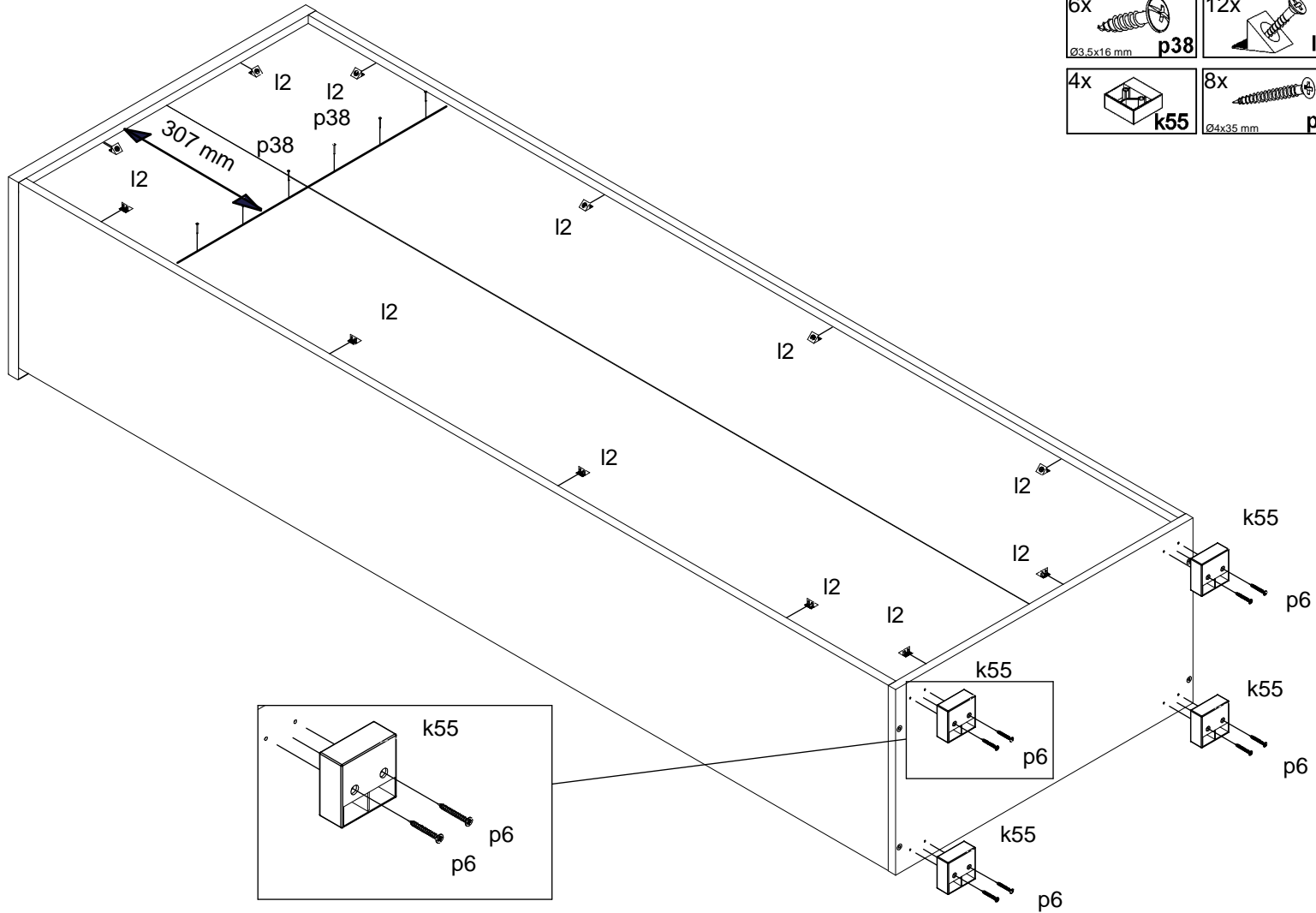
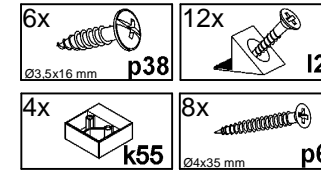


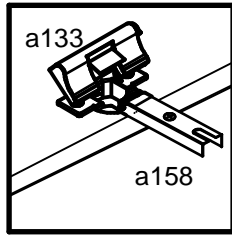
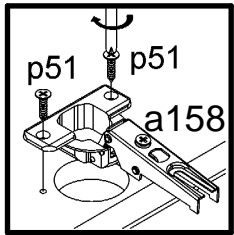
4





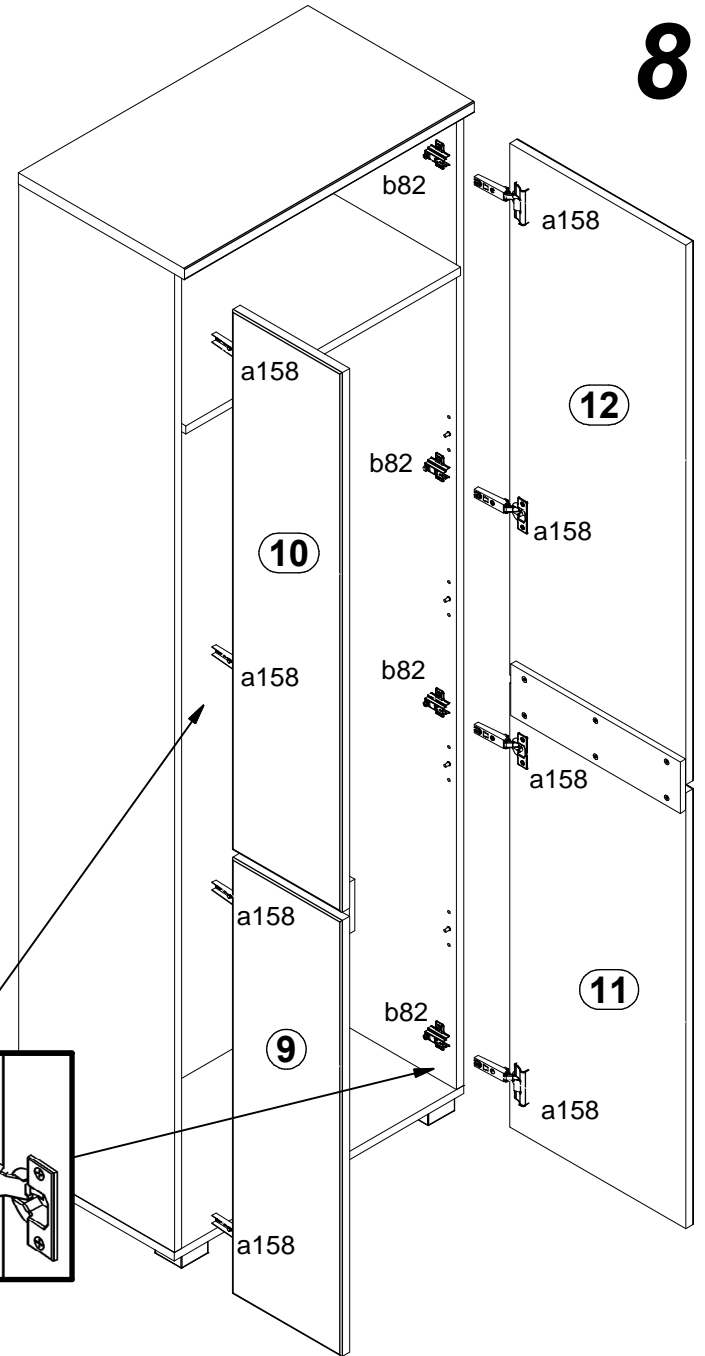
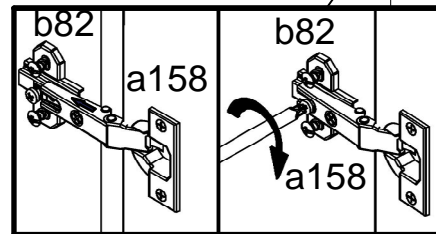
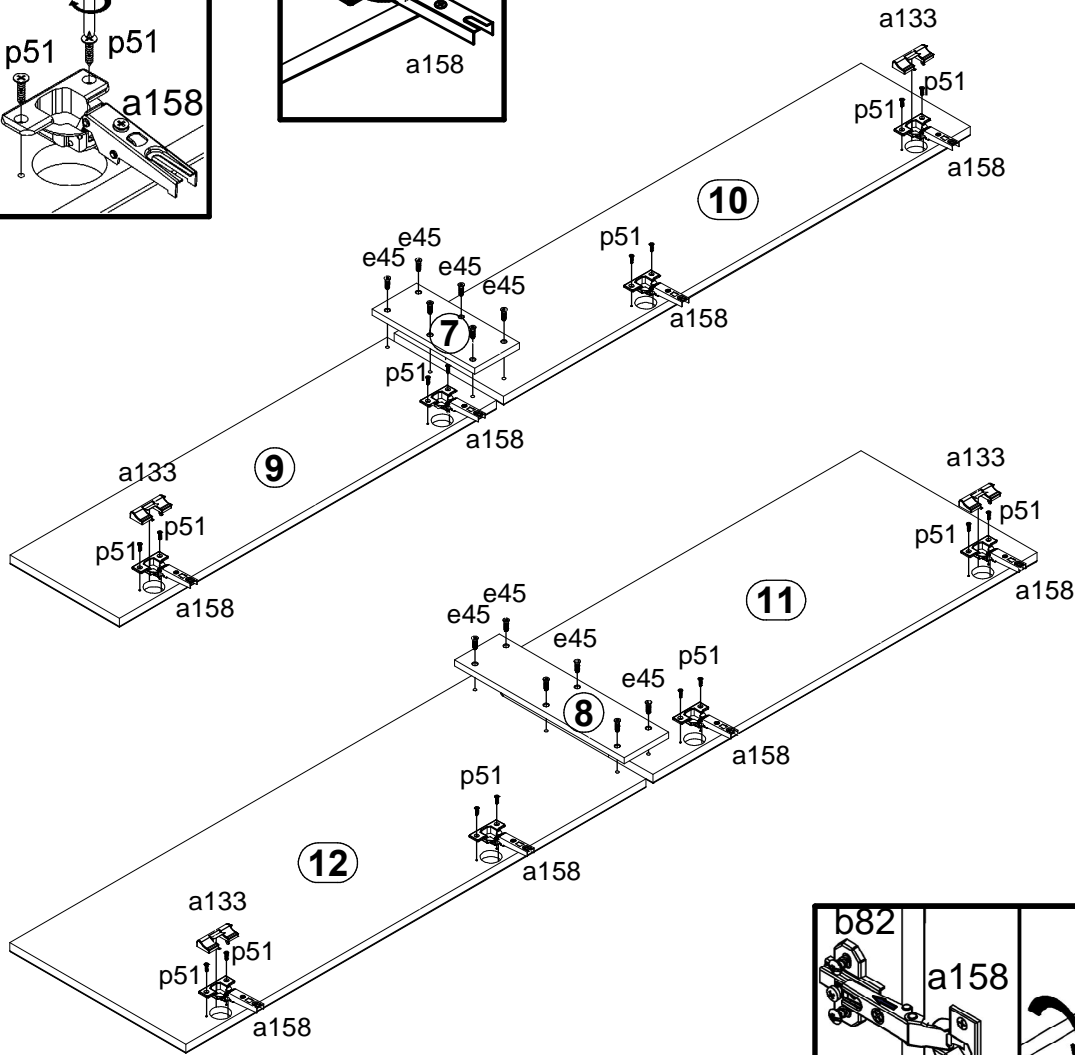
6





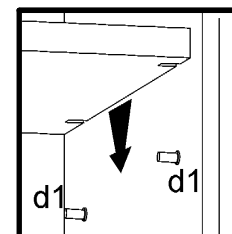
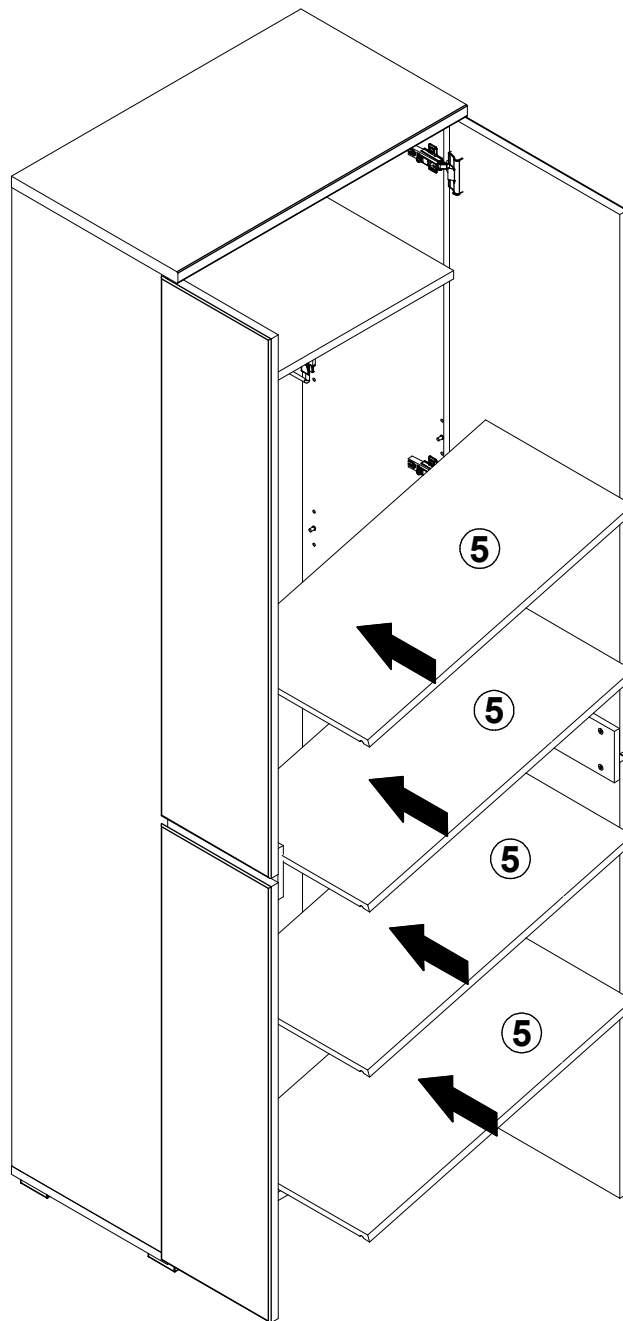
7

8



- 12x  e45 Ø7x24 mm
- 8x  a158
- 4x  a133
- 16x  p51 Ø3,5x15 mm

9

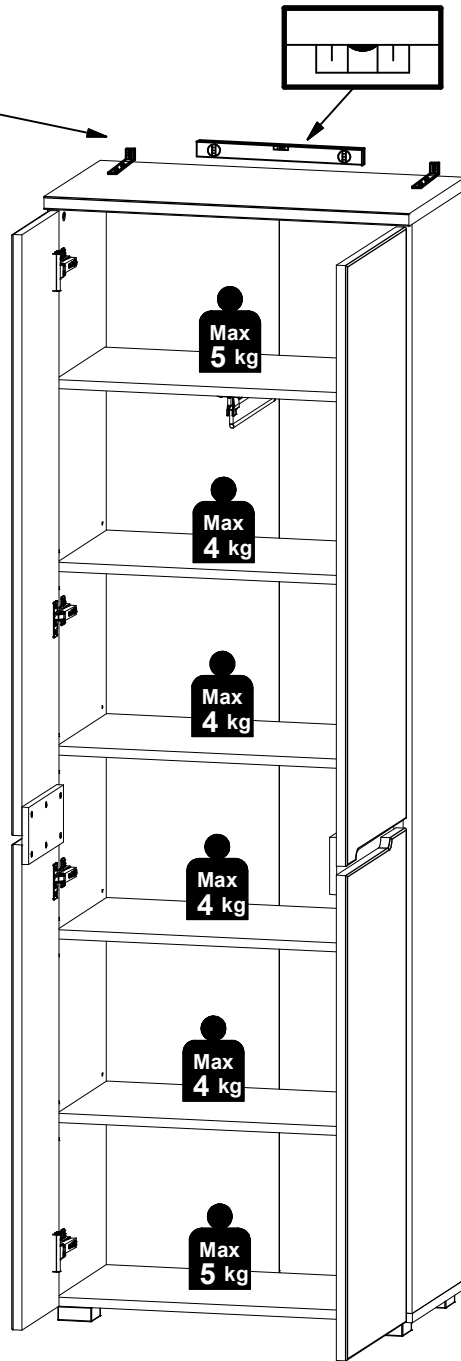
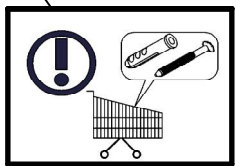
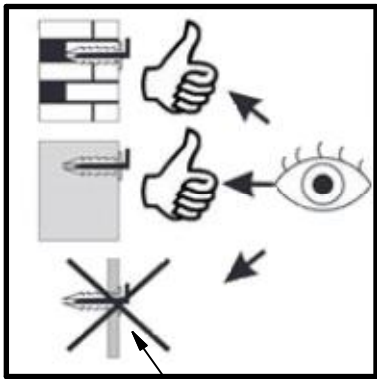
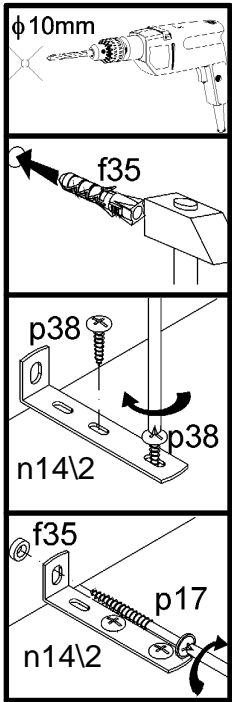


A

M231-REG2D/20/7

30A5--01

10 / 10



10

