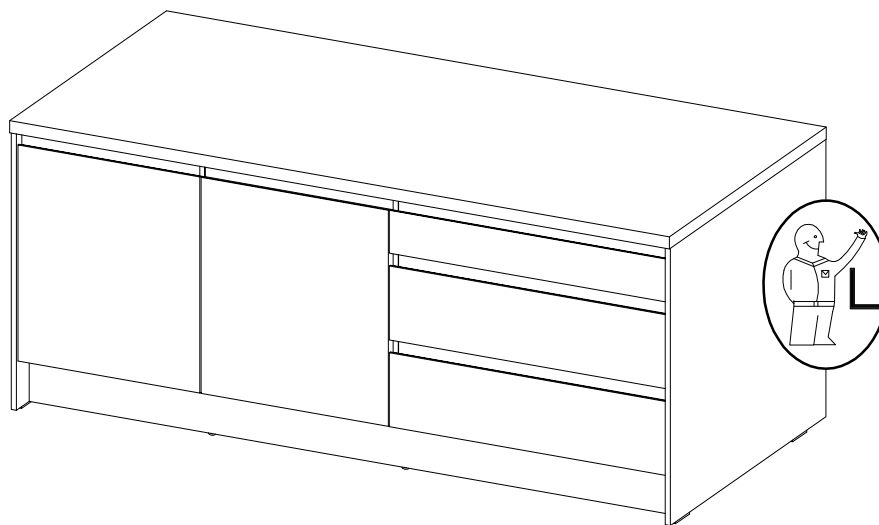
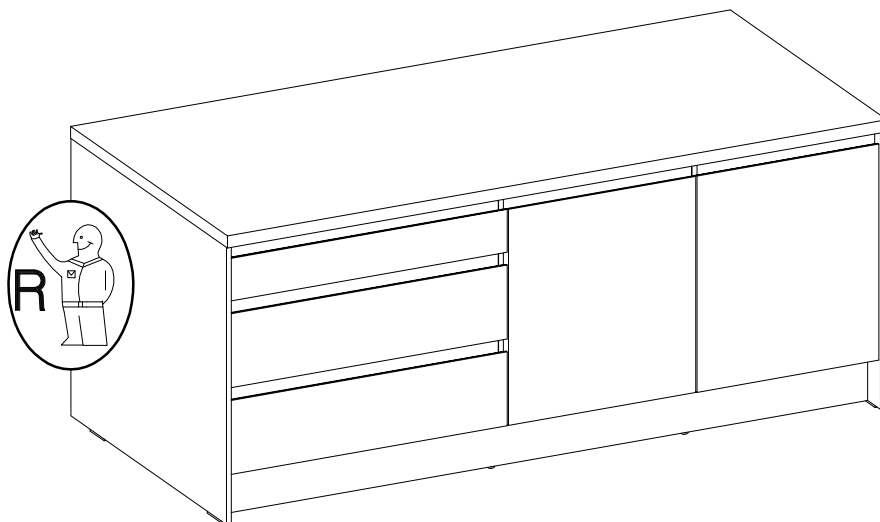
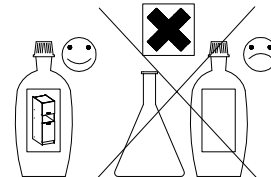


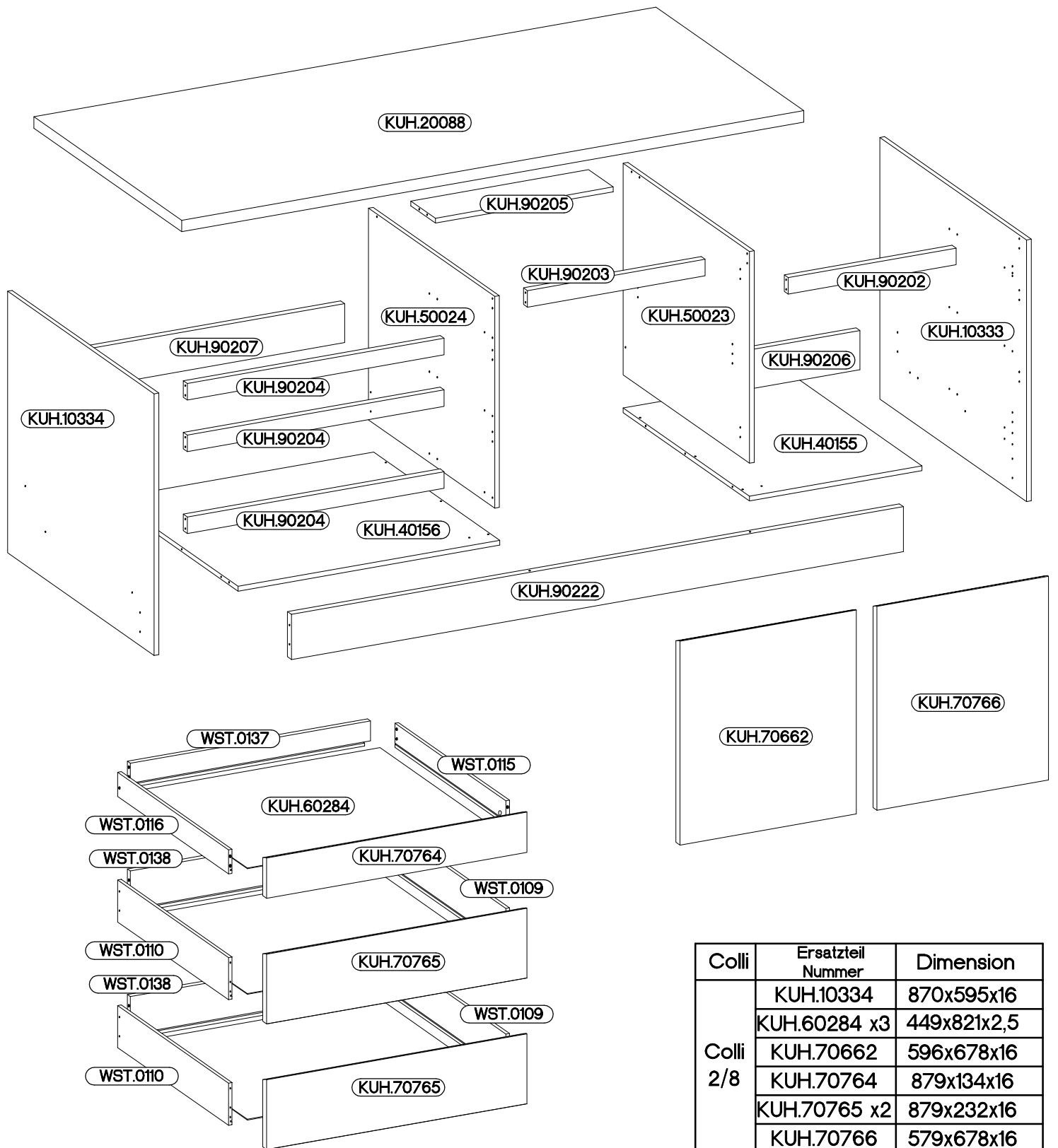
120 min

210 / 90



 A	 B	 B2	 C	 C5	 D2	 D4	 E5	 E1		
34	22	10	10	6	12	2	2	22		
 F2	 F4	 F15	 HG2	 L=450mm	 I11	 J5	 J44	 L	 L19	 M2
4	2	2	2	3	2	12	12	2	12	
 M8	 O	 O1	 P	 P5	 T15	 T10				
12	1	1	6	40	3	6				

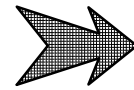
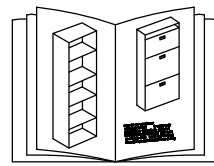
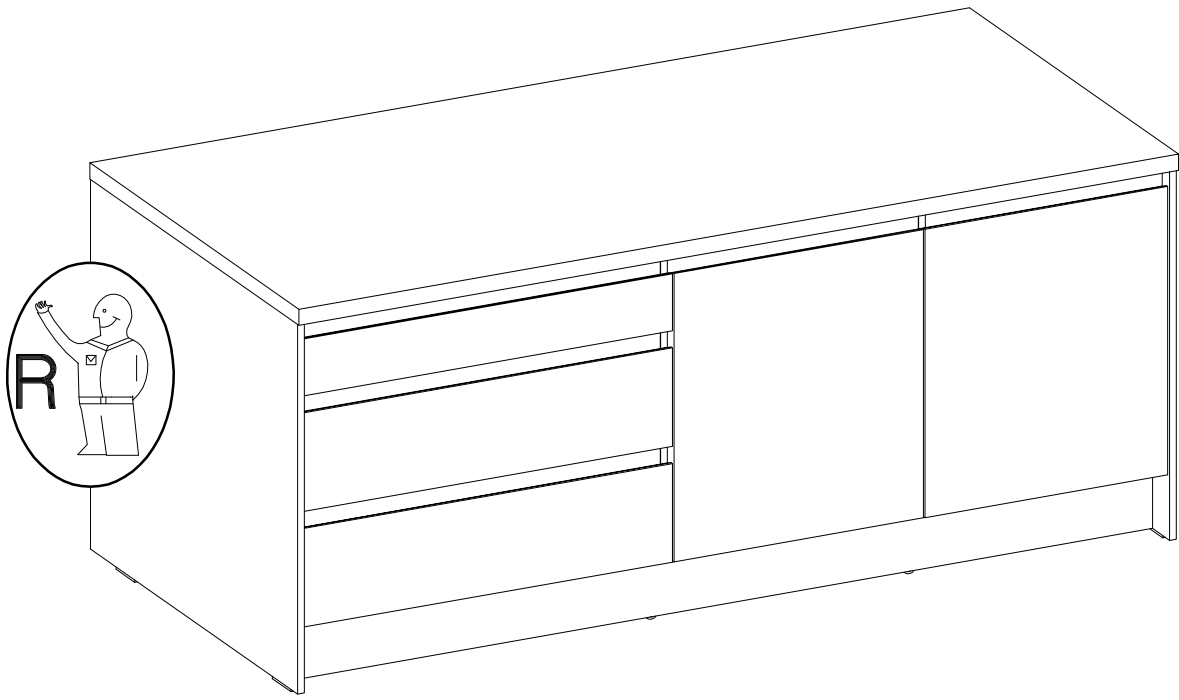
ISM-KUH-01121



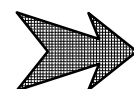
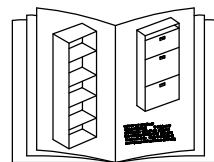
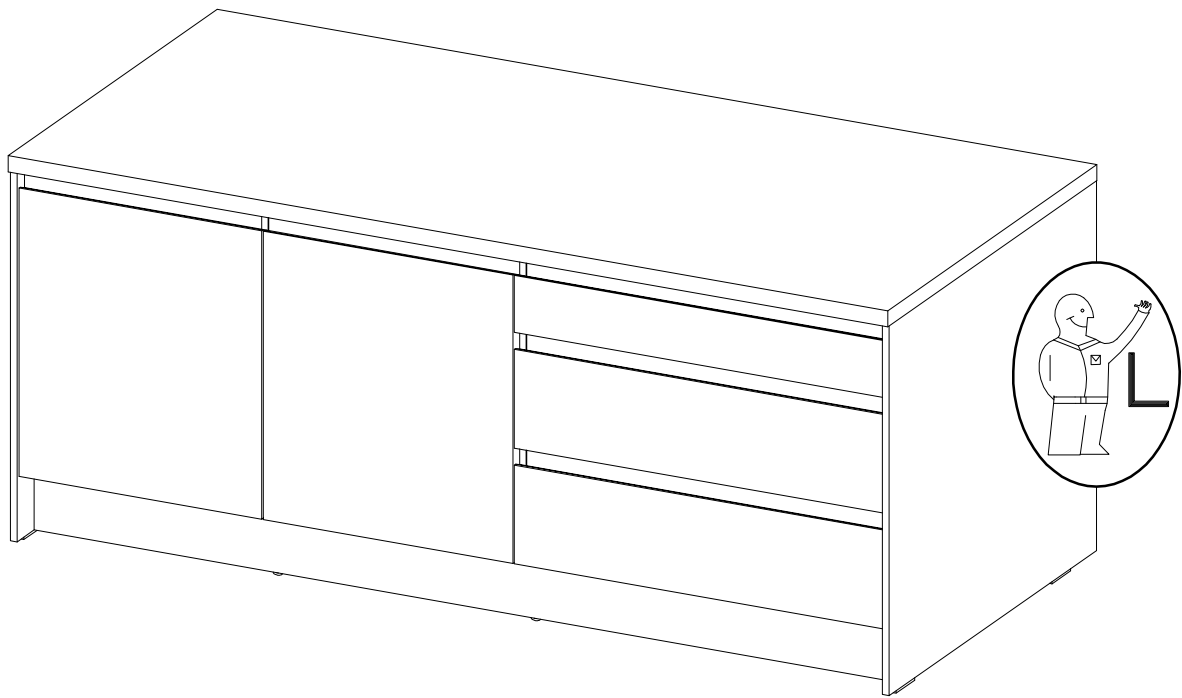
Colli	Ersatzteil Nummer	Dimension
Colli 2/8	KUH.10334	870x595x16
	KUH.60284 x3	449x821x2,5
	KUH.70662	596x678x16
	KUH.70764	879x134x16
	KUH.70765 x2	879x232x16
	KUH.70766	579x678x16
	WST.0137	811x80x12
	WST.0138 x2	811x140x12

Colli	Ersatzteil Nummer	Dimension
Colli 1/8	KUH.10333	870x595x16
	KUH.40155	583x512x16
	KUH.40156	883x512x16
	KUH.50023	704x512x16
	KUH.50024	704x512x16
	WST.0109 x2	450x140x12
	WST.0110 x2	450x140x12
	WST.0115	450x80x12
	WST.0116	450x80x12

Colli	Ersatzteil Nummer	Dimension
Colli 3/8	KUH.20088	2100x600x38
	KUH.90202	567x55x16
	KUH.90203	600x55x16
	KUH.90204 x3	867x55x16
	KUH.90205	600x100x16
	KUH.90206	567x130x16
	KUH.90207	867x130x16
	KUH.90222	2066x150x16


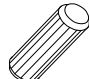



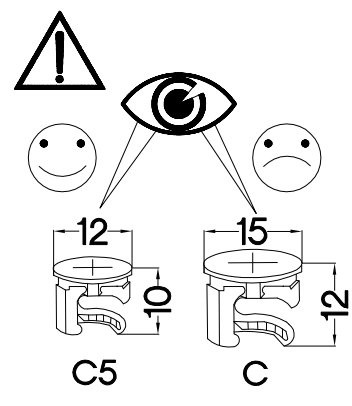
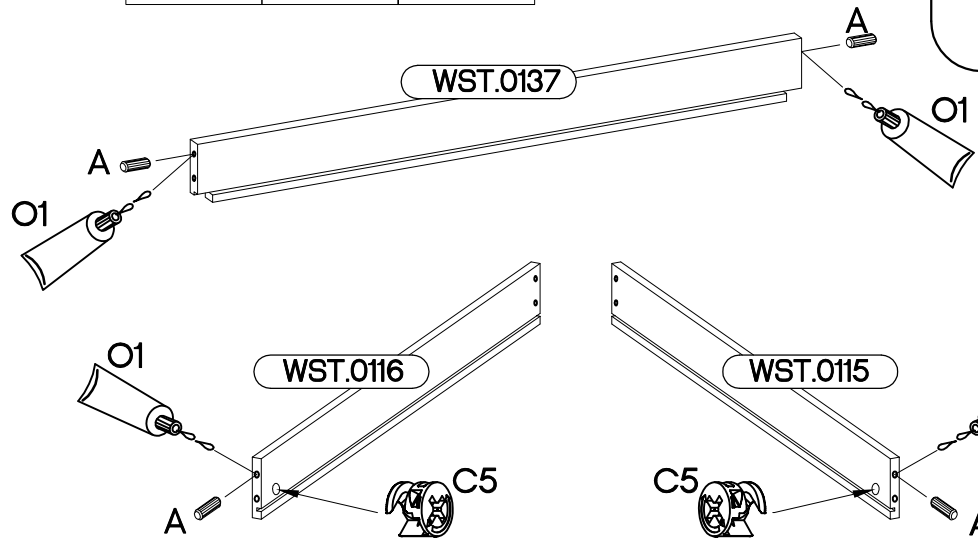
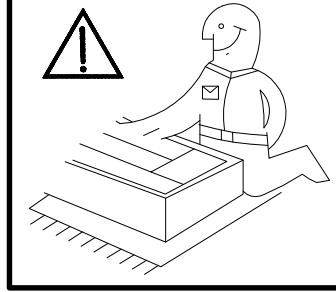
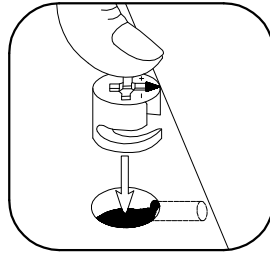
1 - 29





1 - 10
30 - 48

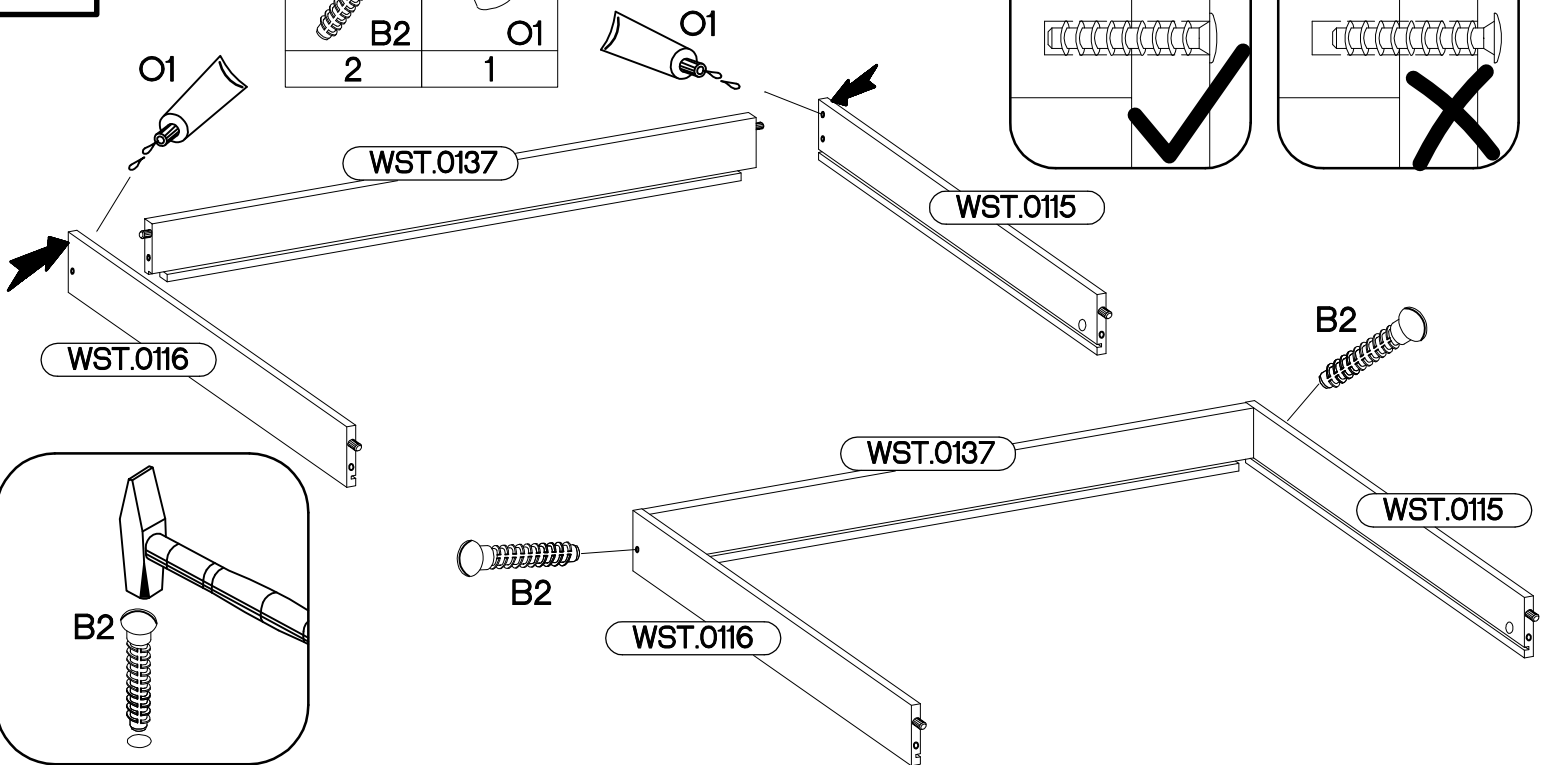
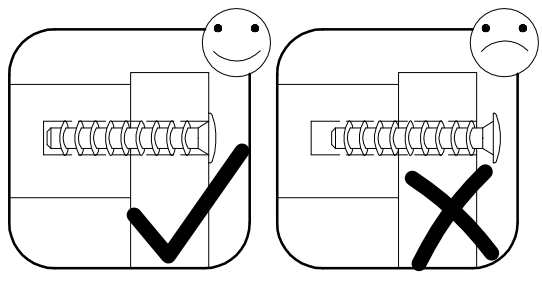
1

#2/10mm  C5 2	#8x30mm  A 4	 O1 1
--	---	---

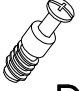


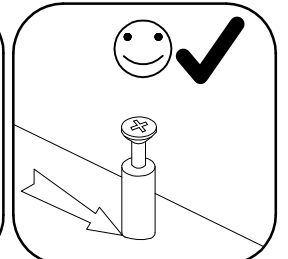
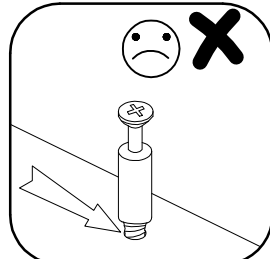
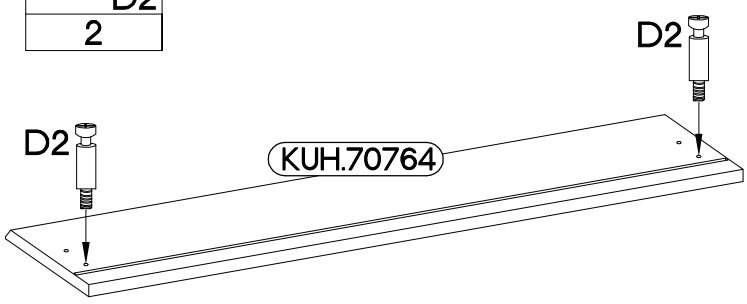
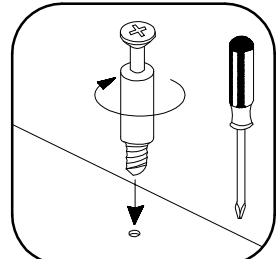
2

+6x42mm  B2 2	 O1 1
---	--

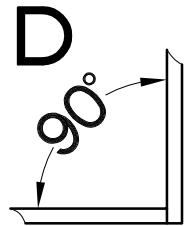
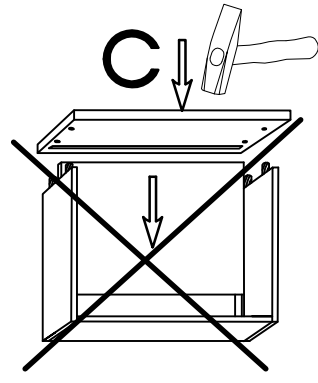
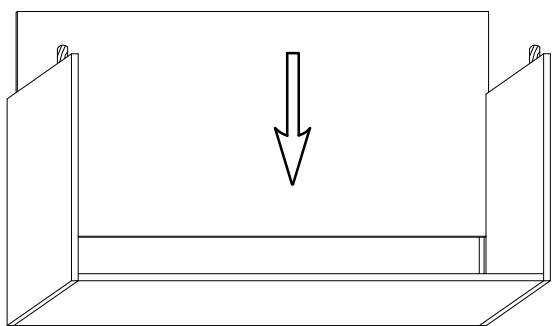
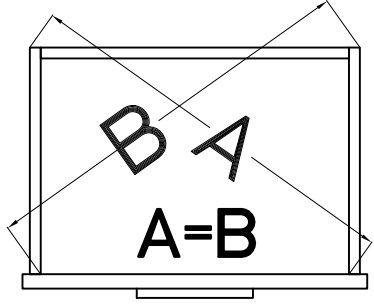
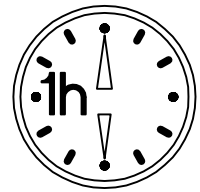
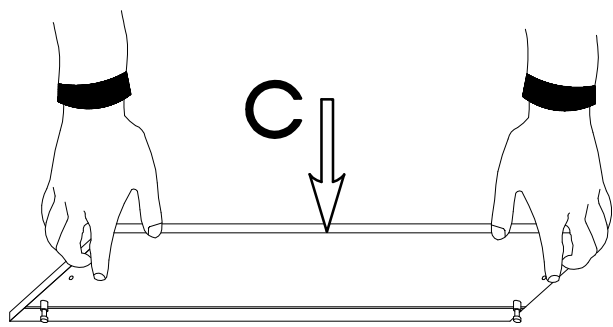
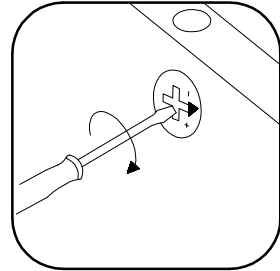
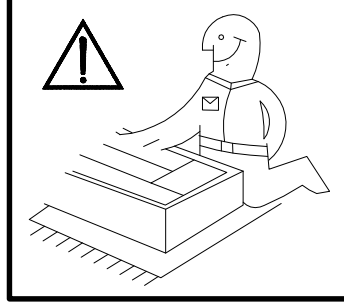
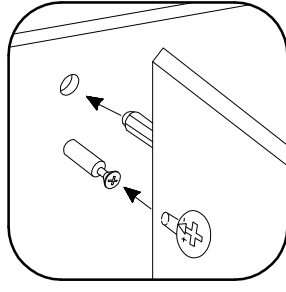
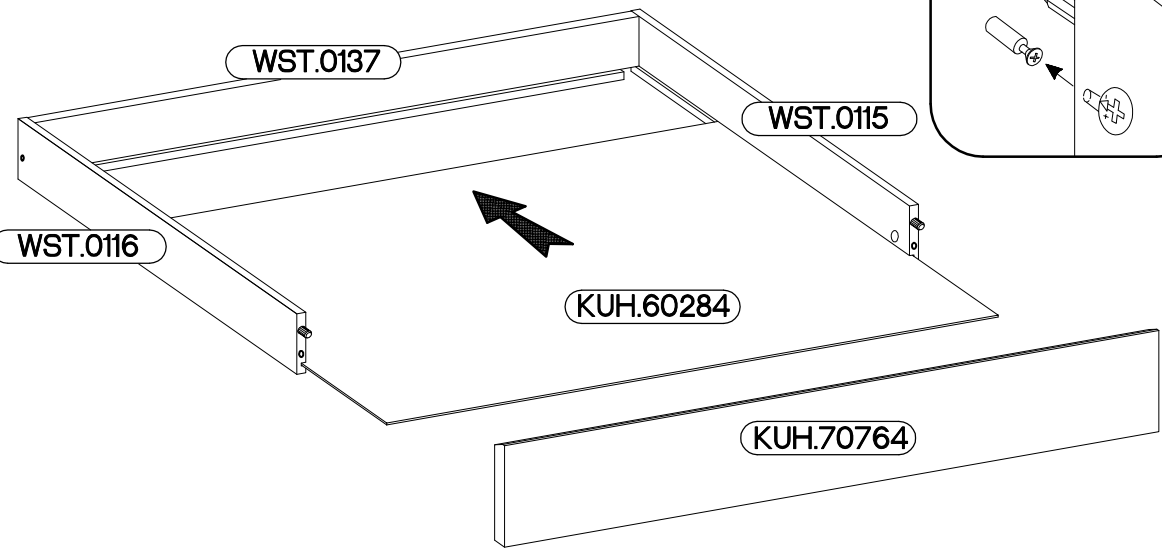


3

L=20mm  D2 2
--

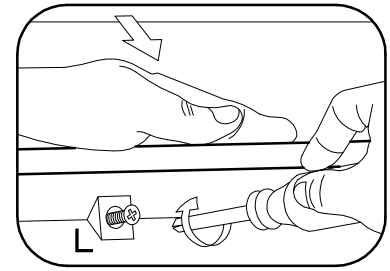
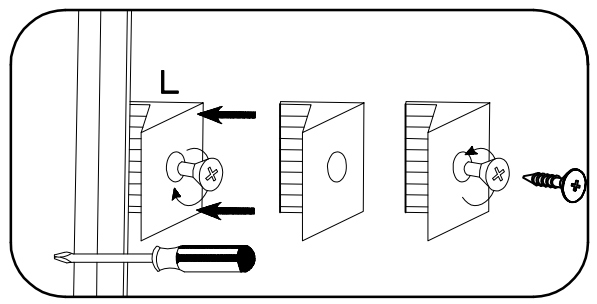
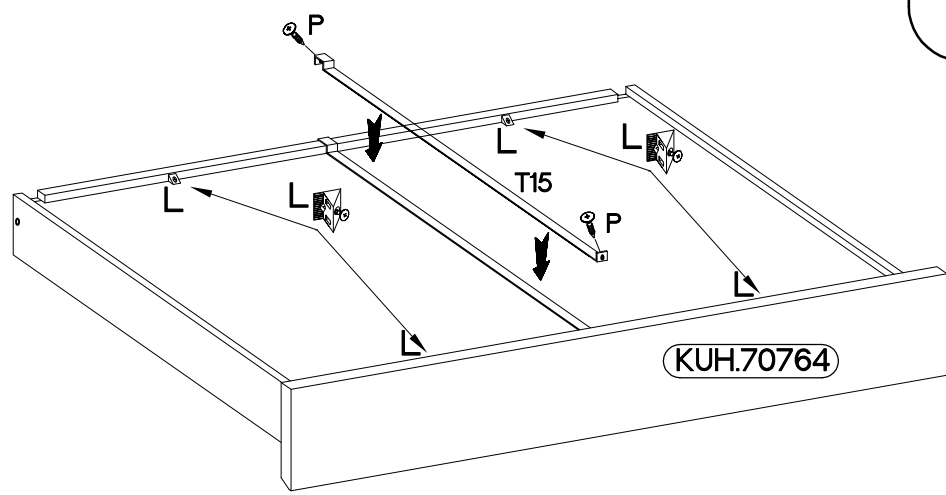


4


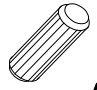



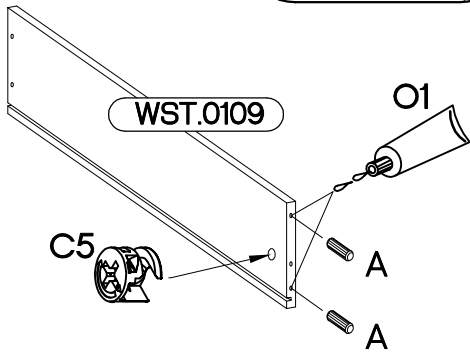
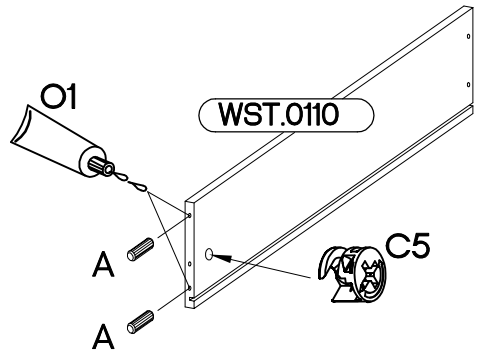
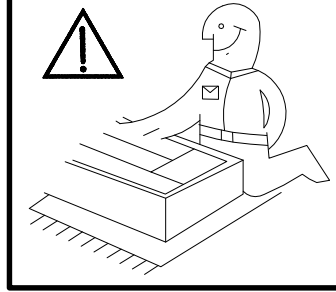
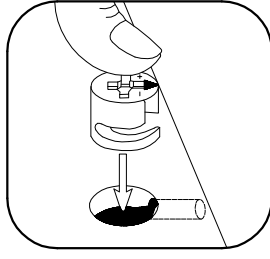
5

L	T15	P
4	1	2

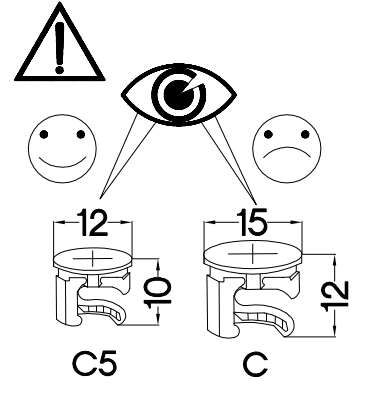


6


<p>±12/10mm</p>  <p>C5</p> <p>4</p>	<p>±8x30mm</p>  <p>A</p> <p>8</p>	 <p>O1</p> <p>1</p>
---	---	---

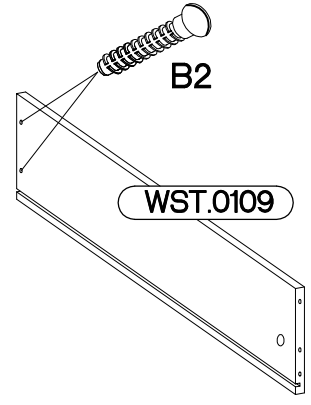
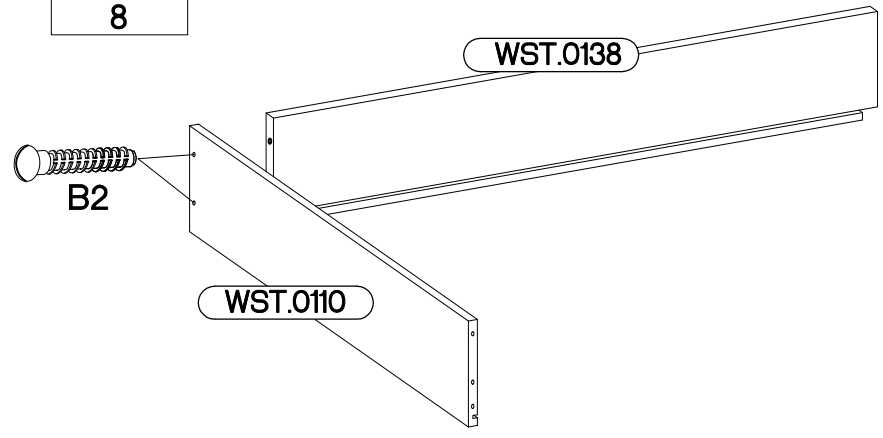


x2

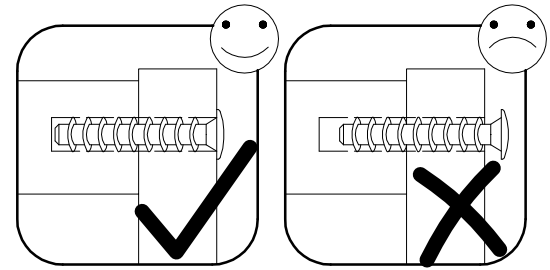
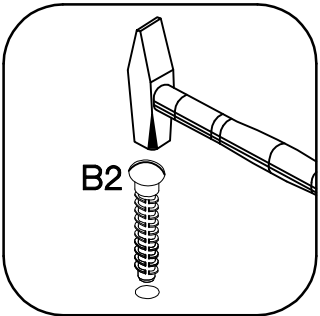


7


<p>±6x42mm</p>  <p>B2</p> <p>8</p>

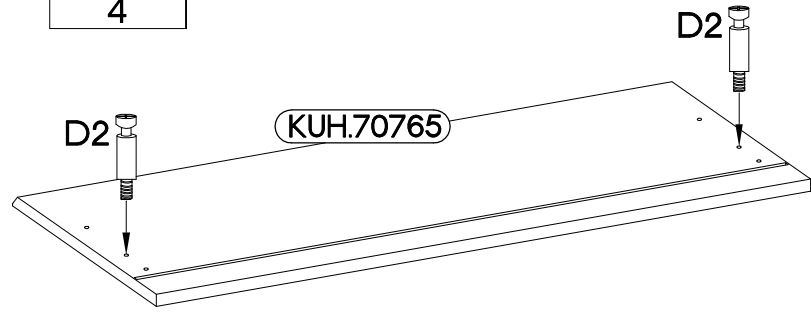


x2

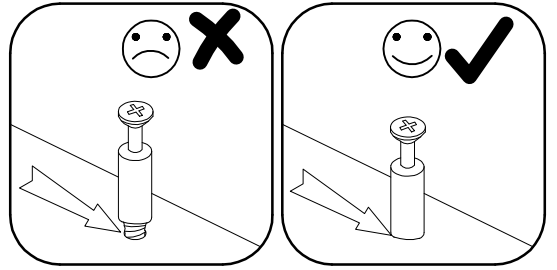
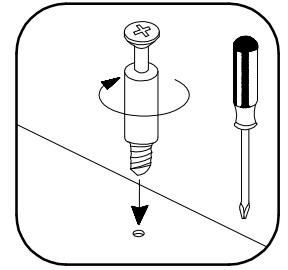


8

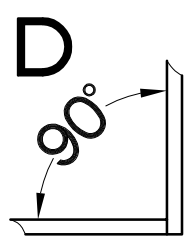
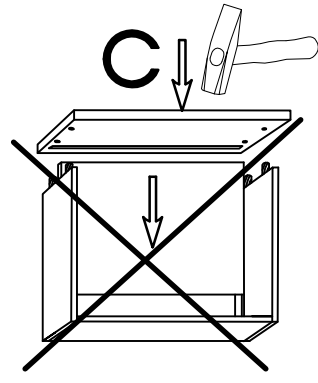
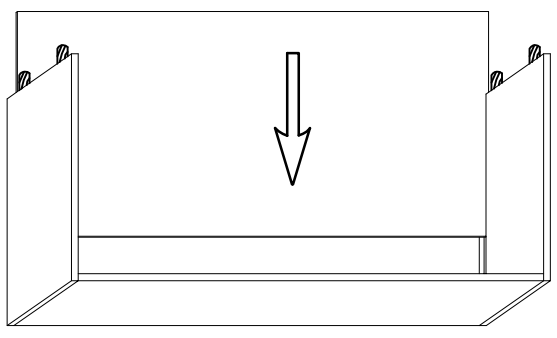
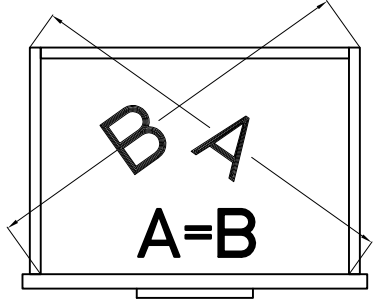
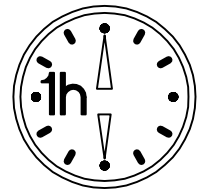
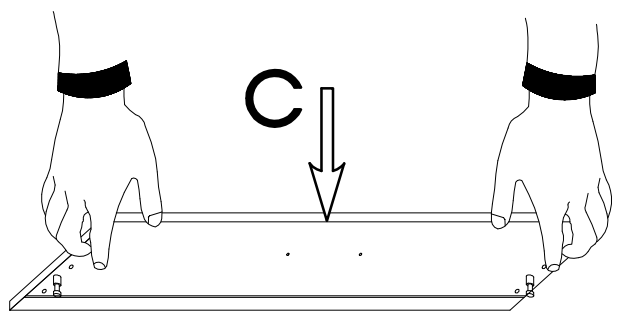
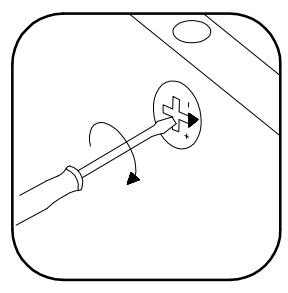
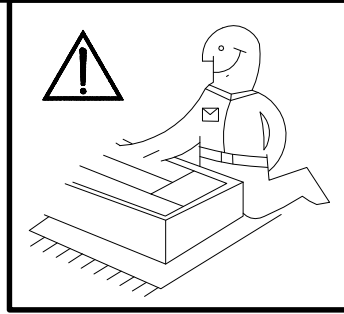
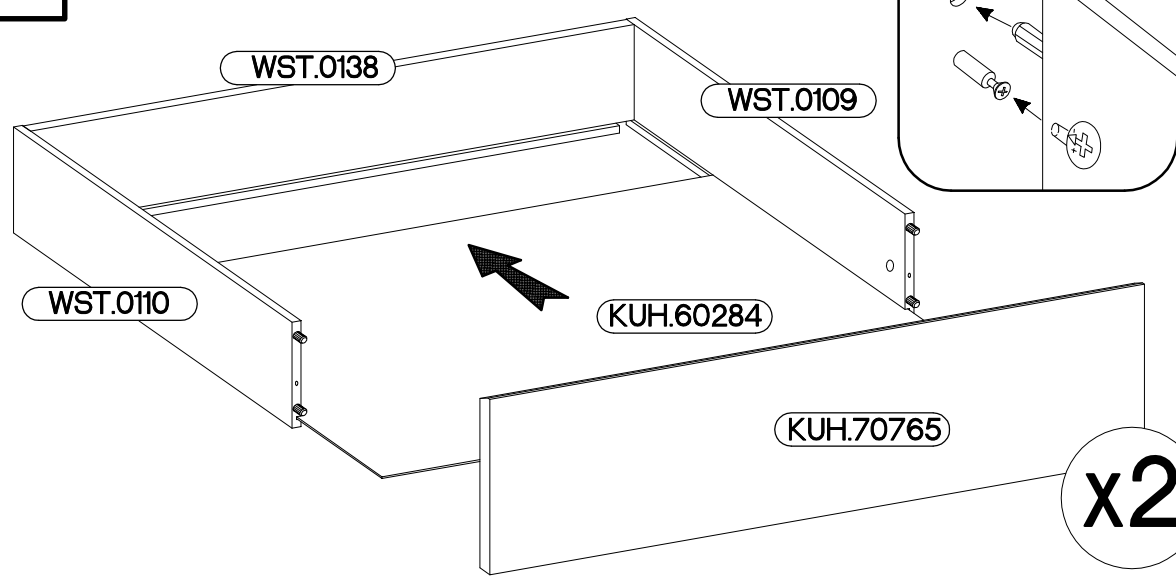
<p>L=20mm</p>  <p>D2</p> <p>4</p>
--



x2

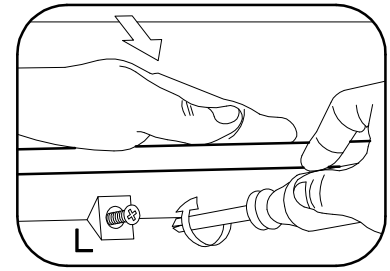
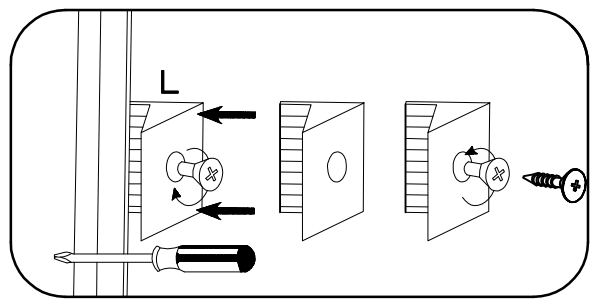
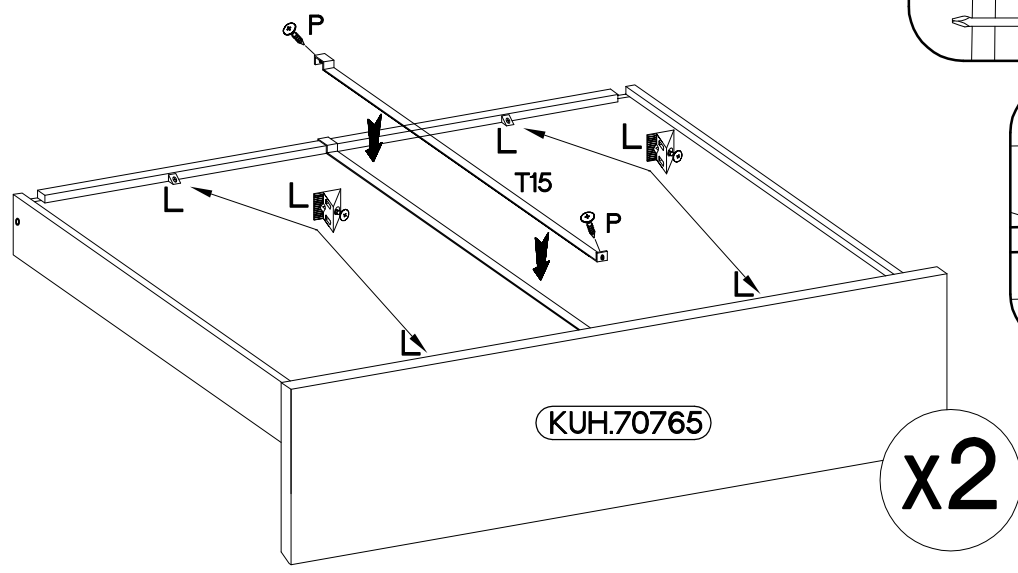


9

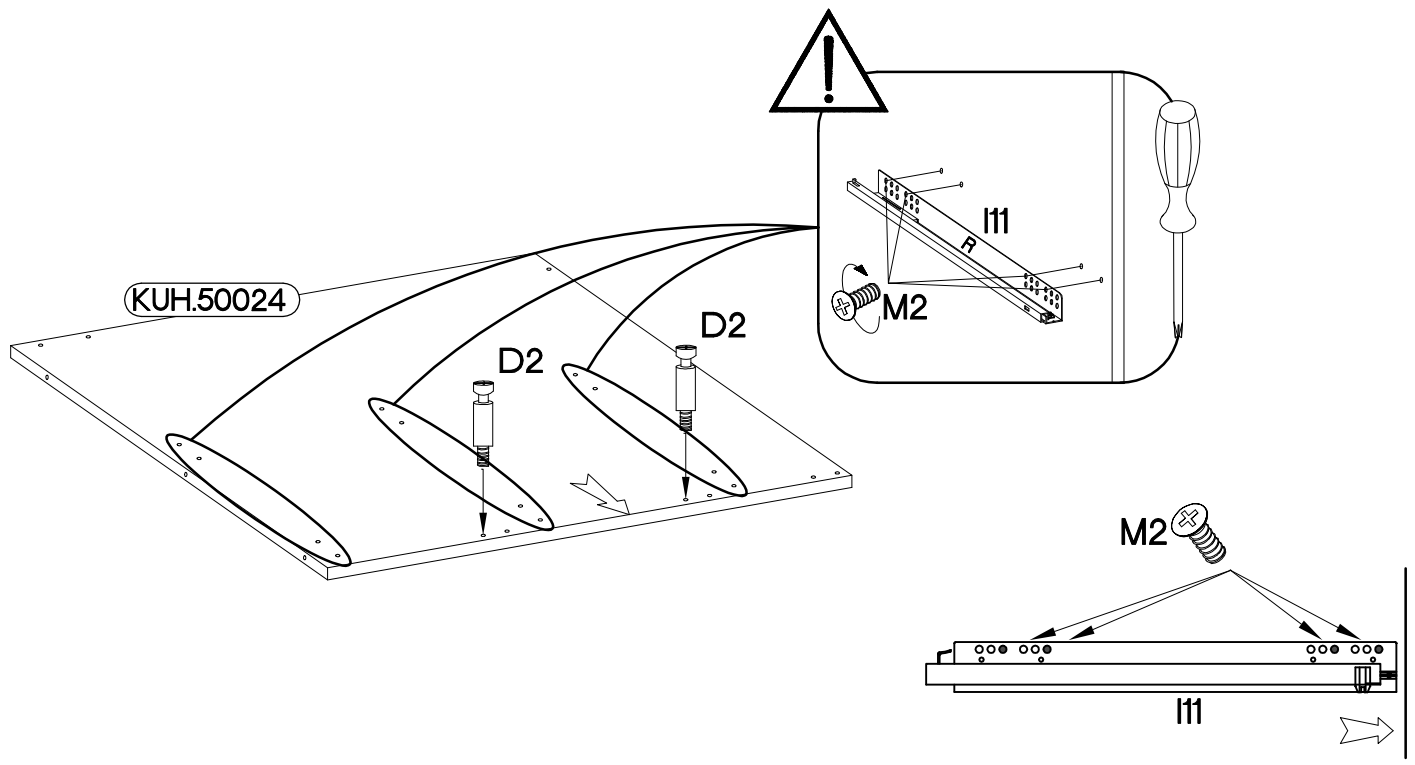
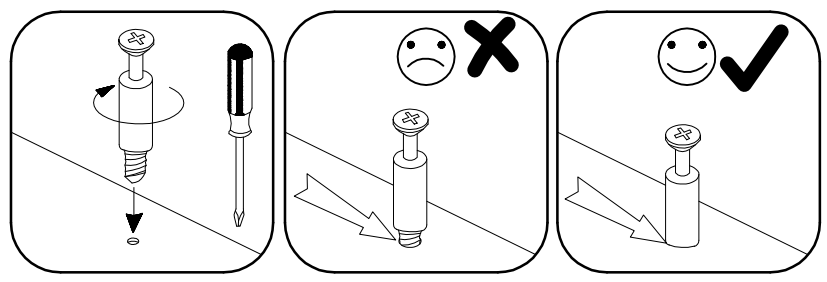
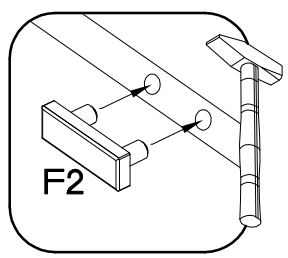
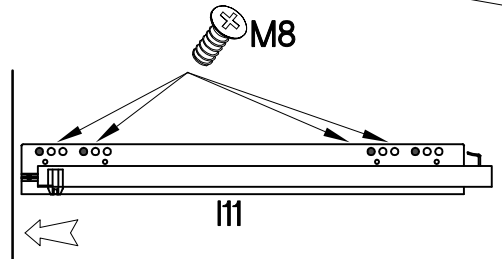
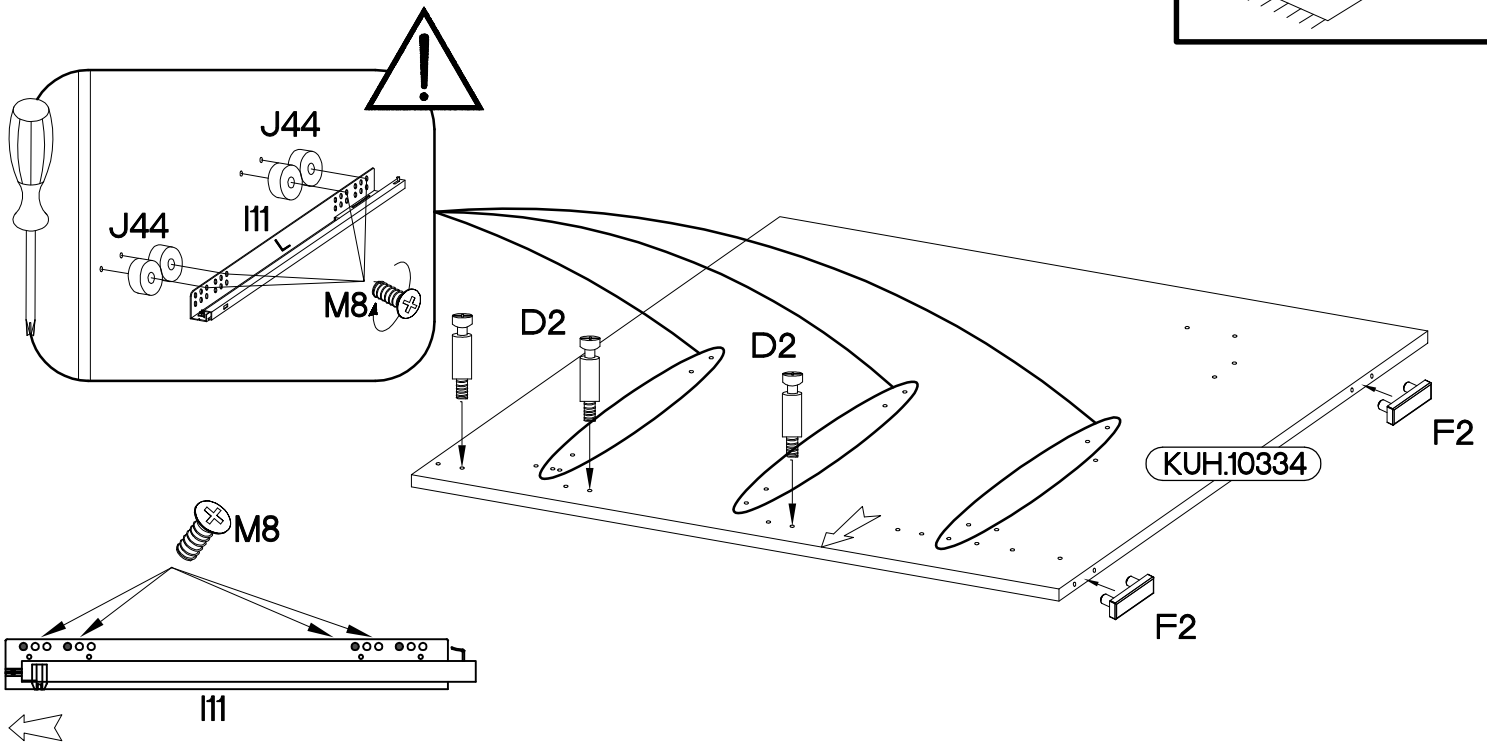
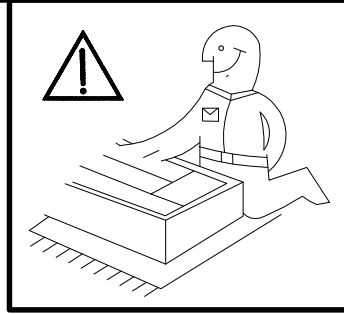


10

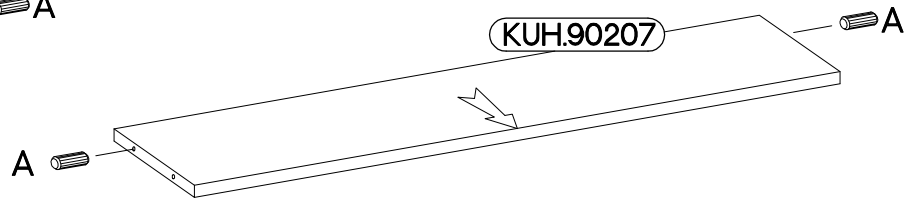
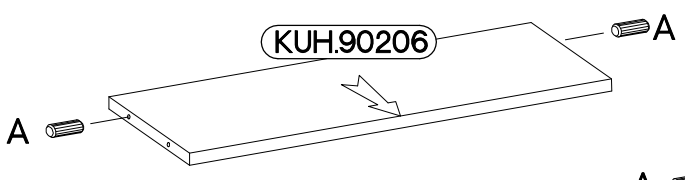
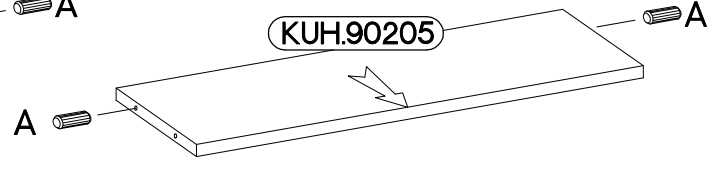
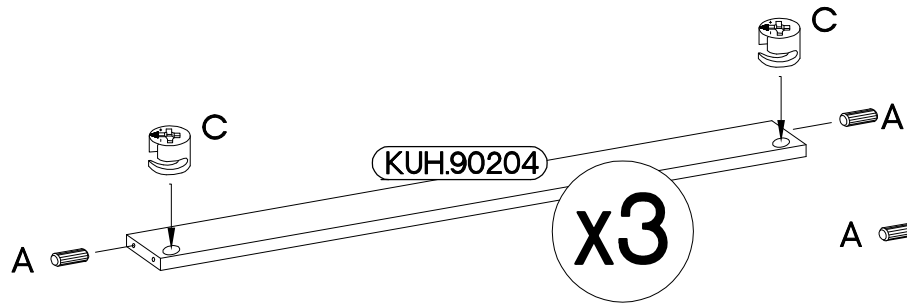
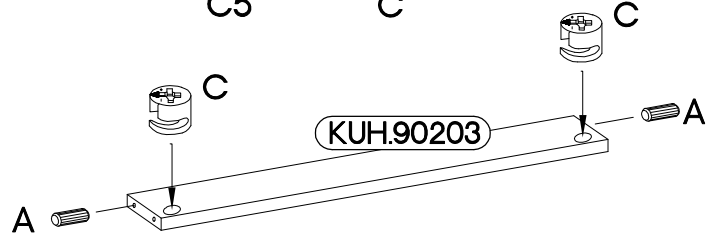
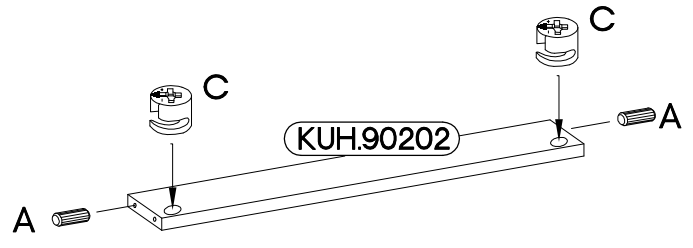
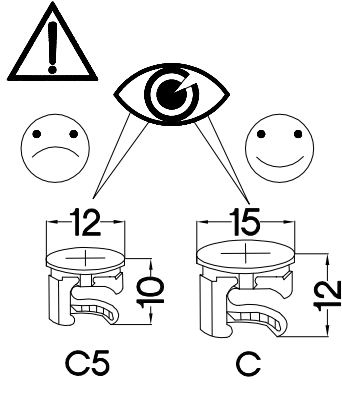
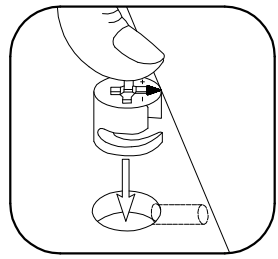
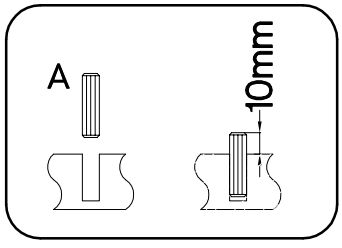
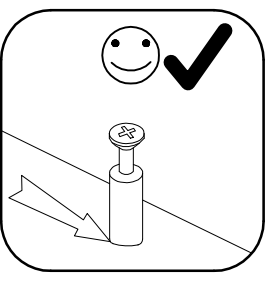
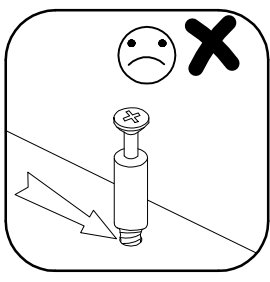
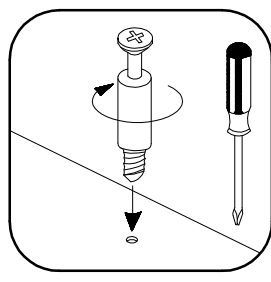
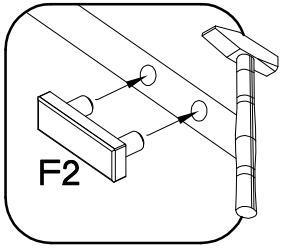
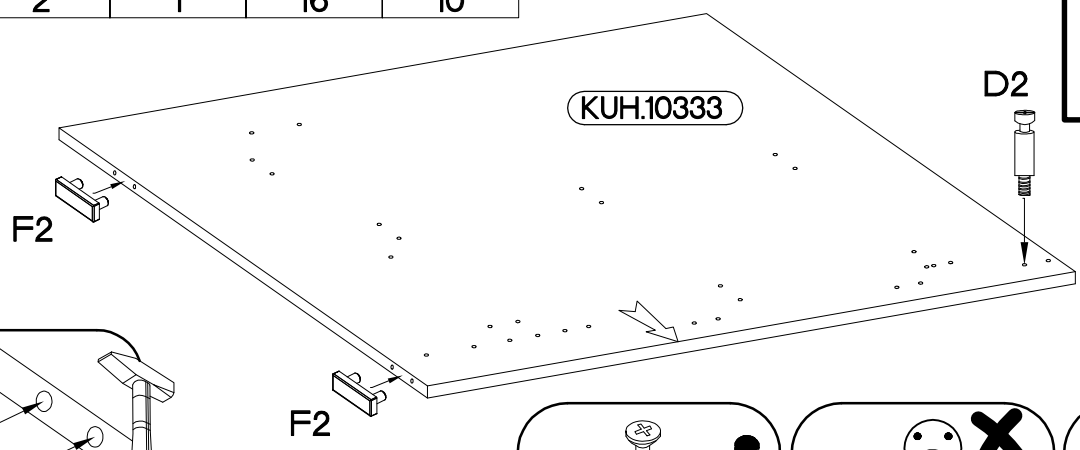
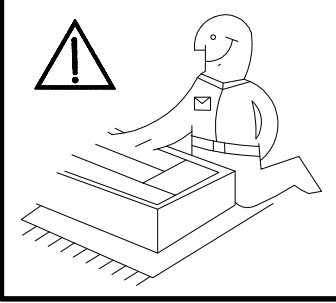
L	T15	P
8	2	4

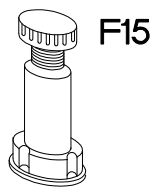


6.5x48x16 F2 2	L L=450mm 3	111 12	+6.3x13mm M2 12	+6.3x28mm M8 12	+20/16mm J44 12	L=20mm D2 5
----------------------	-------------------	-----------	-----------------------	-----------------------	-----------------------	-------------------

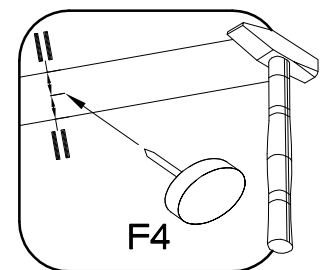
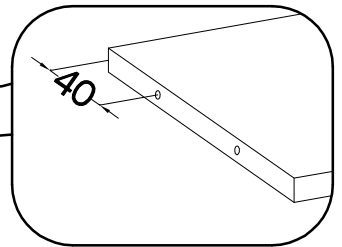
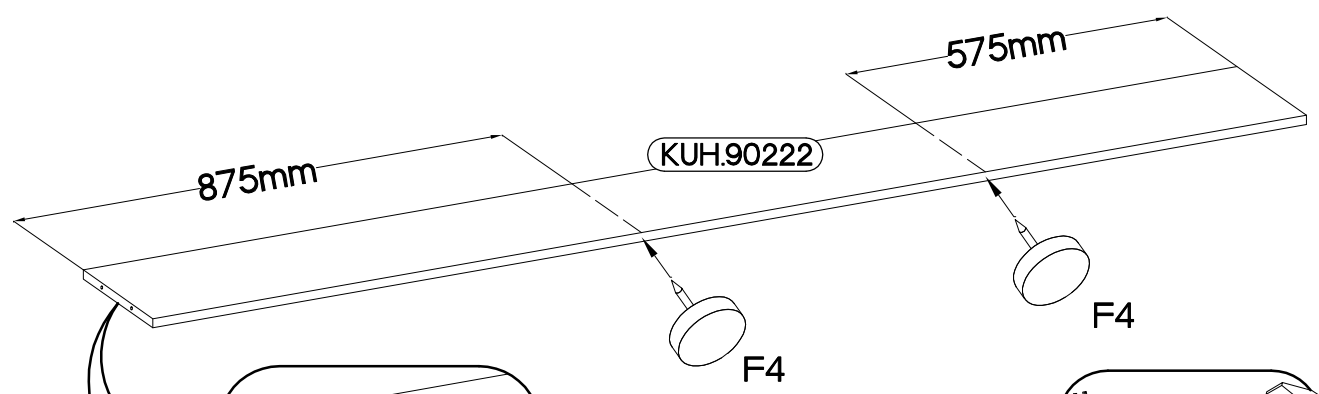
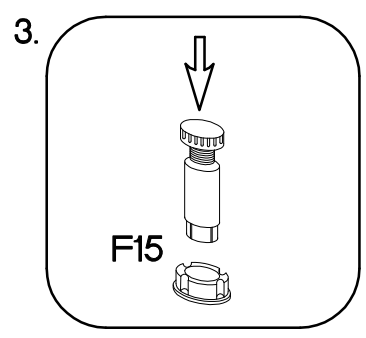
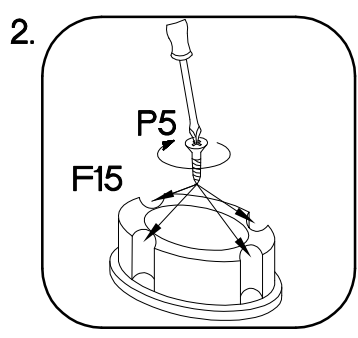
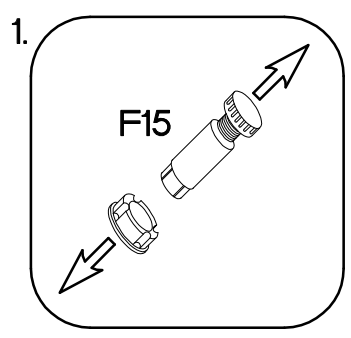
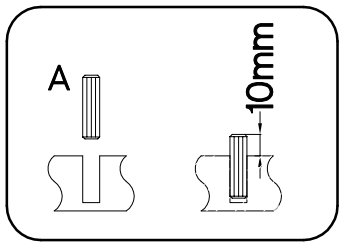
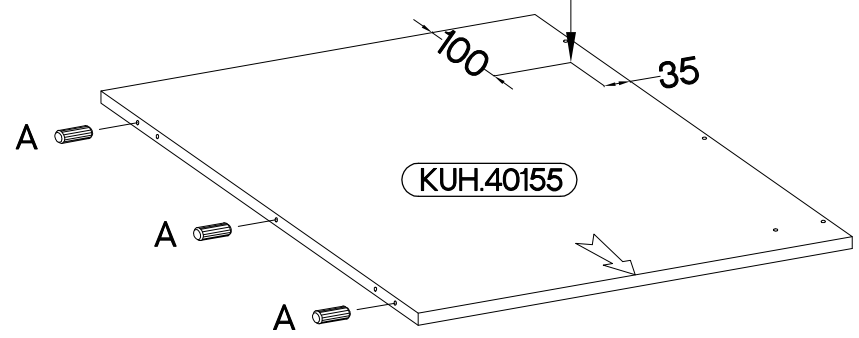
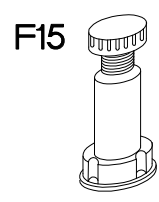
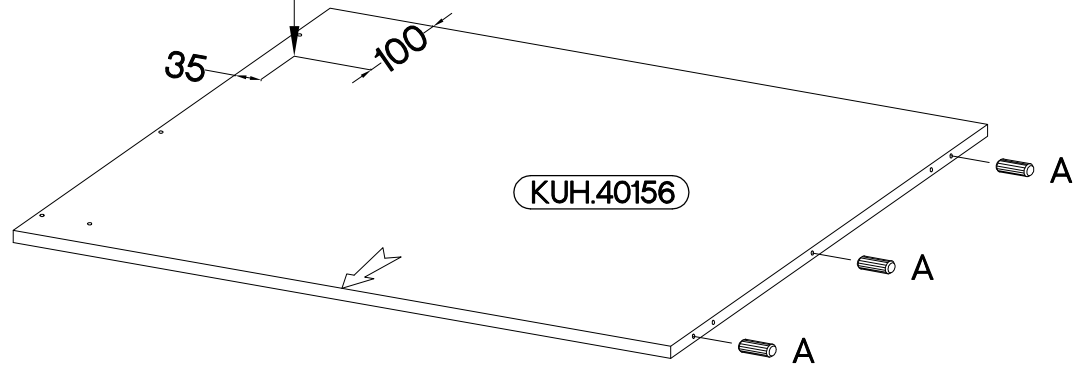
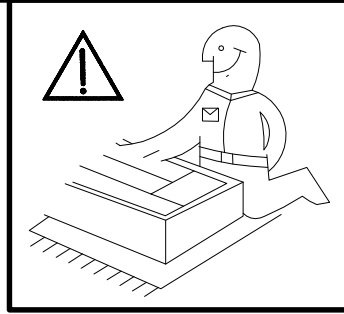


6.5x48x16 F2 2	L=20mm D2 1	+8x30mm A 16	+15/12mm C 10
-----------------------------	--------------------------	---------------------------	----------------------------

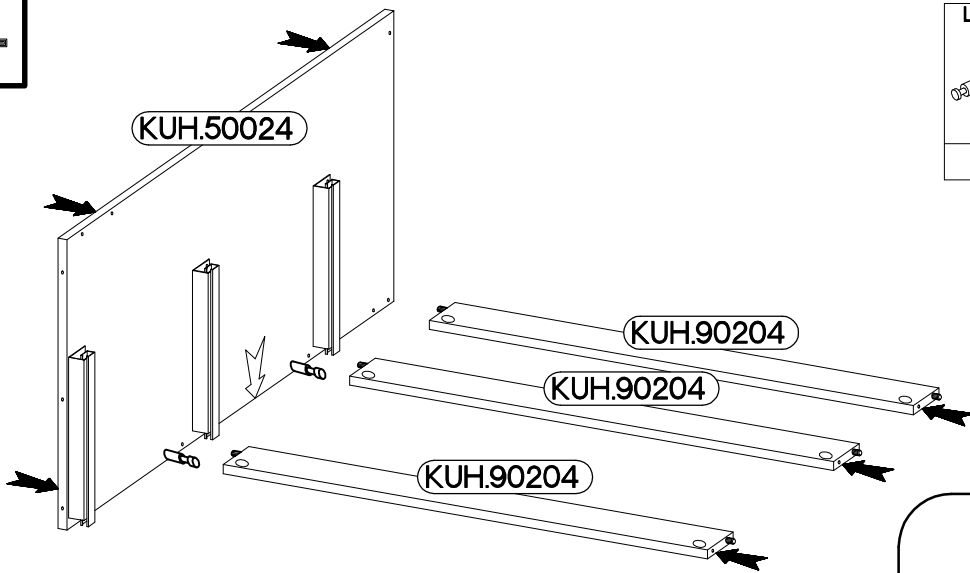


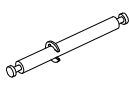


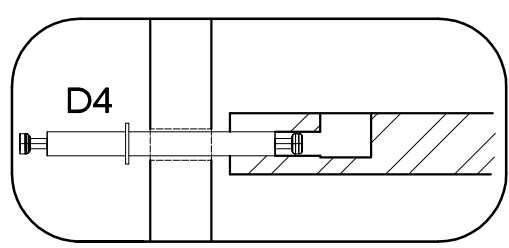
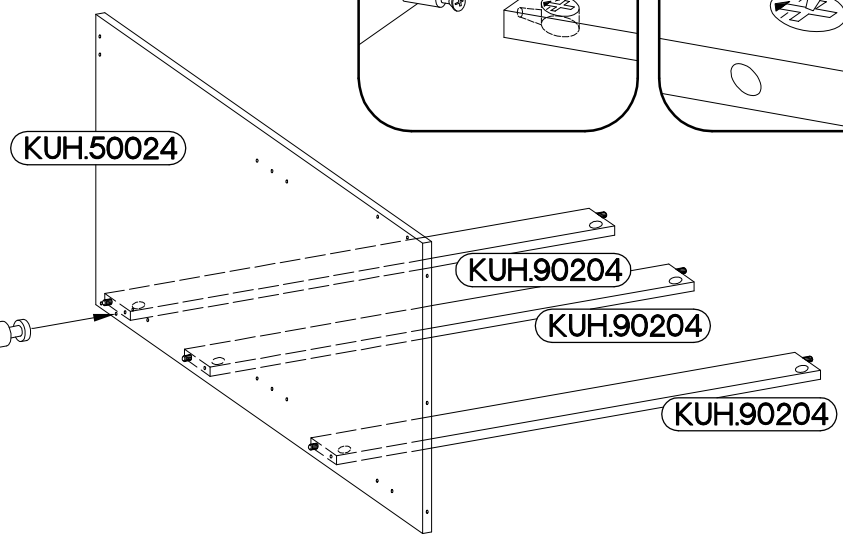
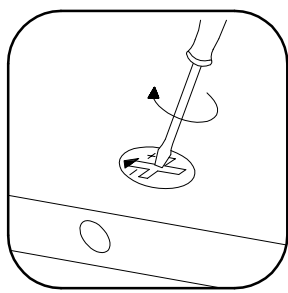
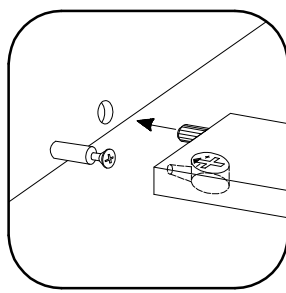
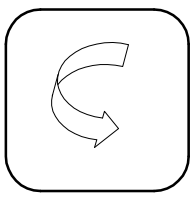
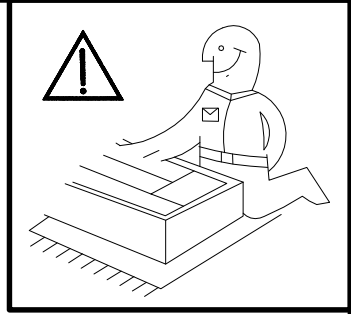
±15x5mm	+8x30mm	L=150mm	+3.5x13mm
F4	A	F15	P5
2	6	2	8




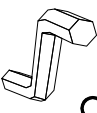

14

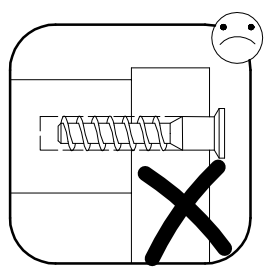
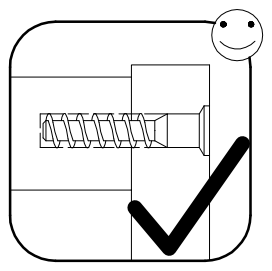
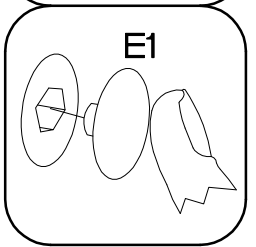
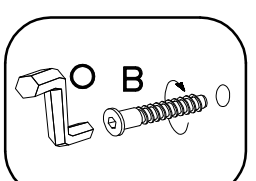
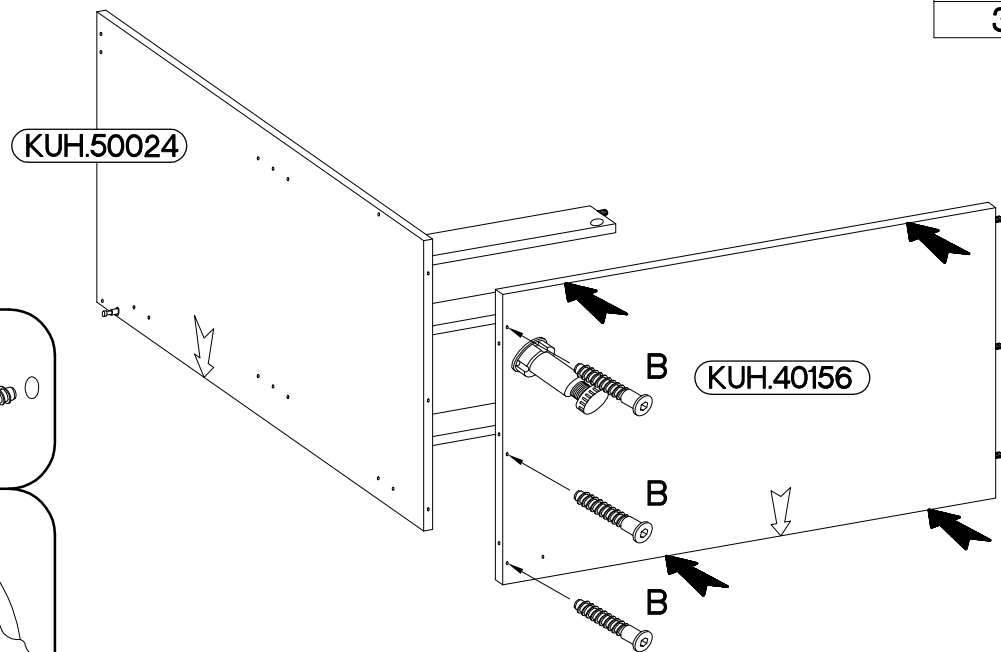


L=56mm

D4
1



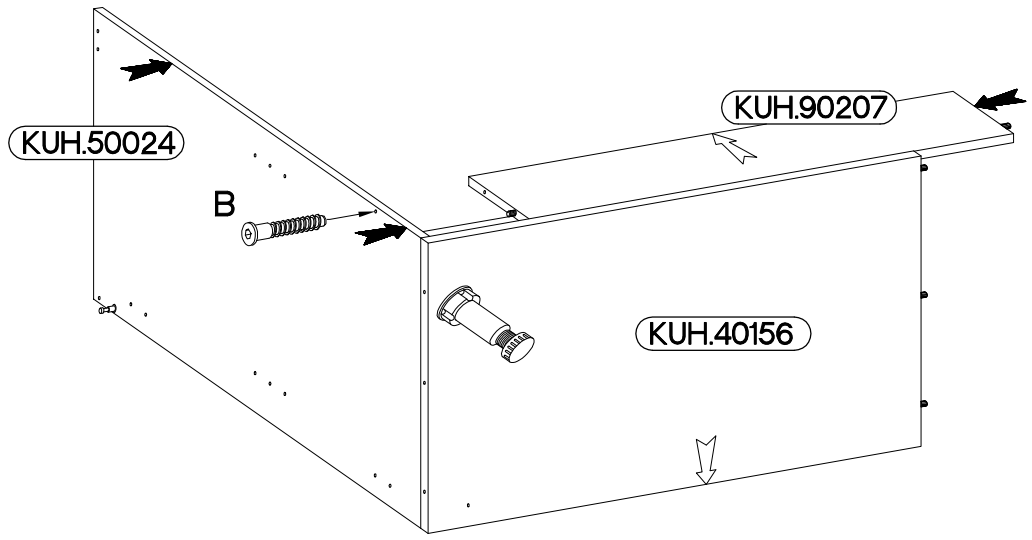
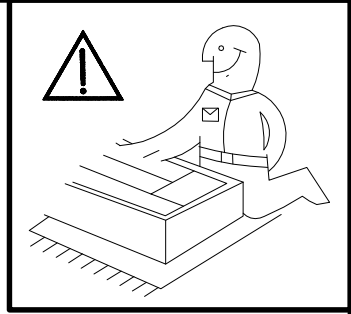
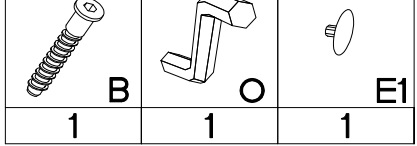
15

6,4 x 50mm			
	B	O	E1
	3	1	3

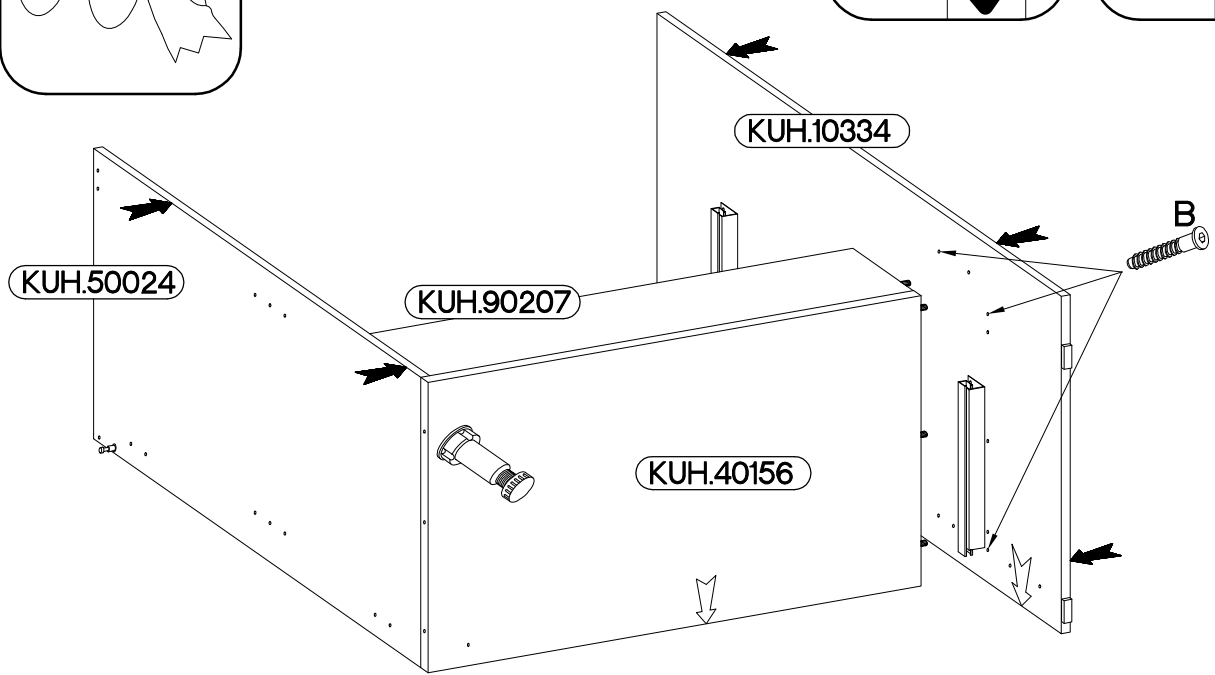
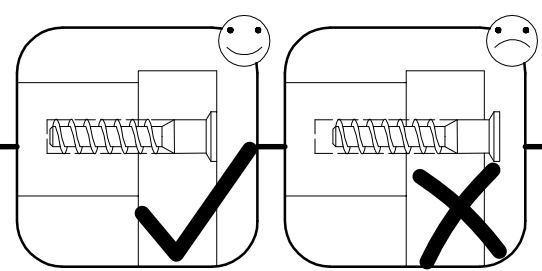
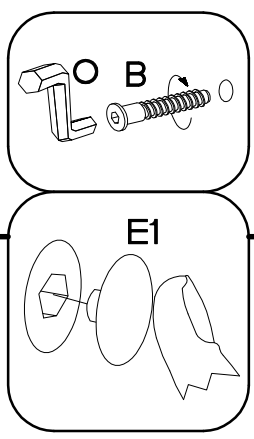


16

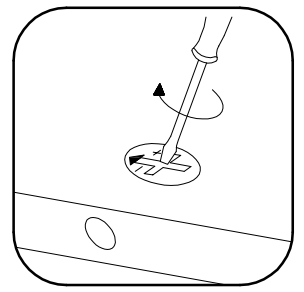
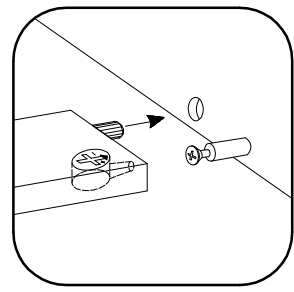
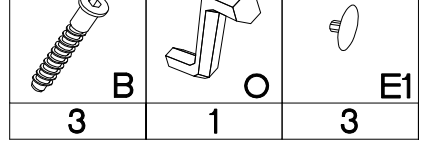
6,4 x 50mm



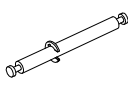
17

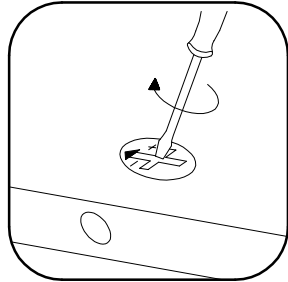
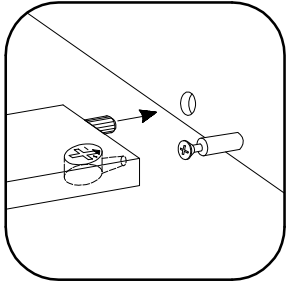
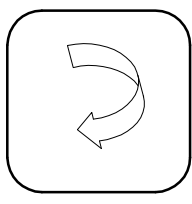
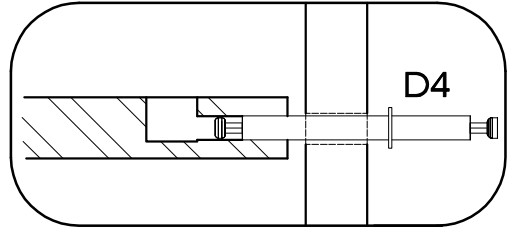
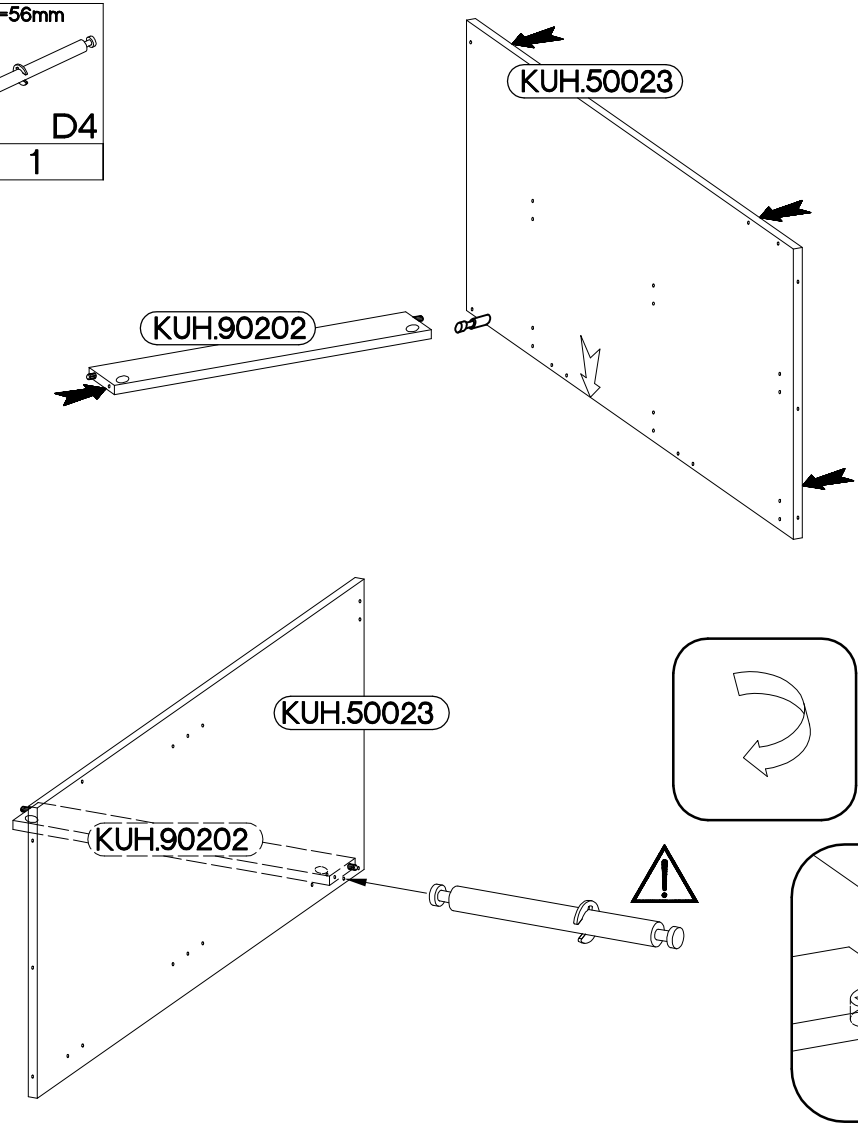
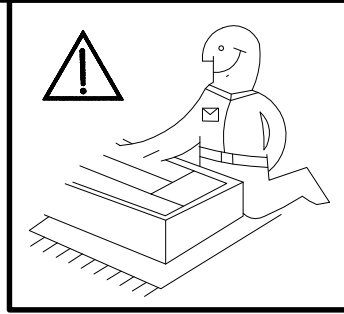


6,4 x 50mm

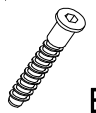
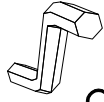



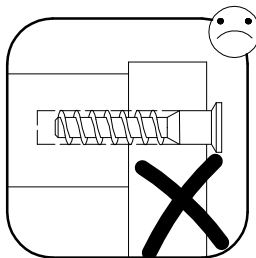
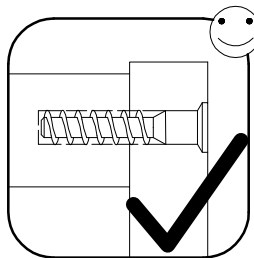
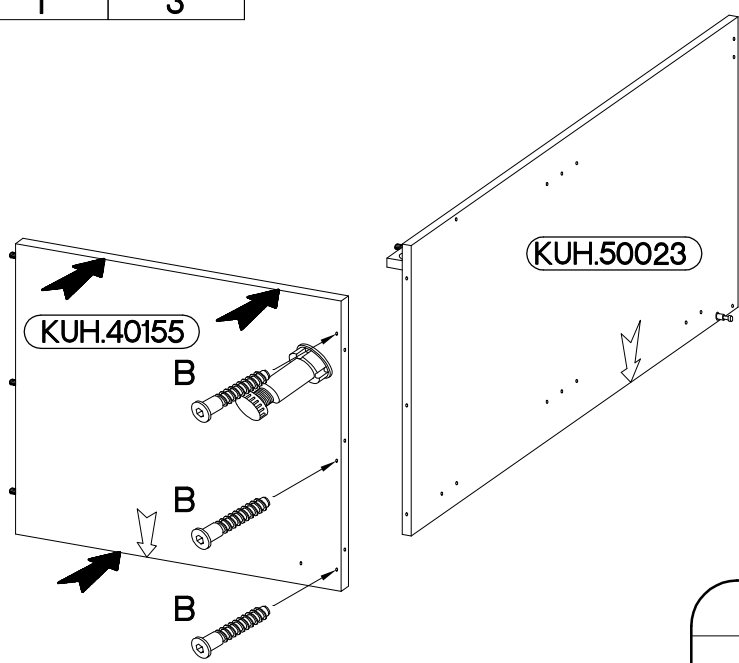
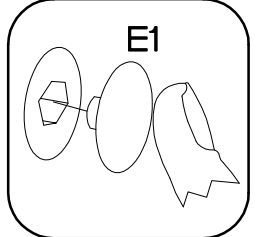
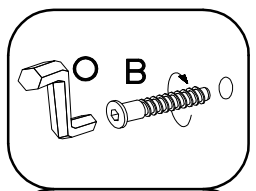
18

L=56mm

D4
1



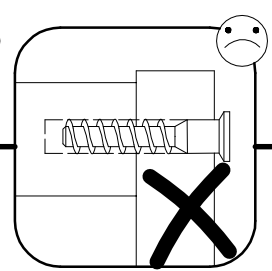
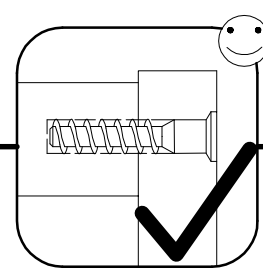
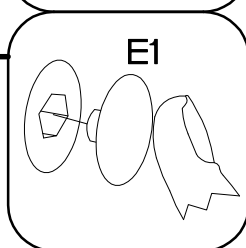
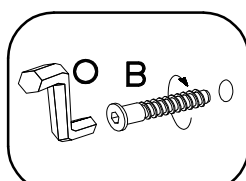
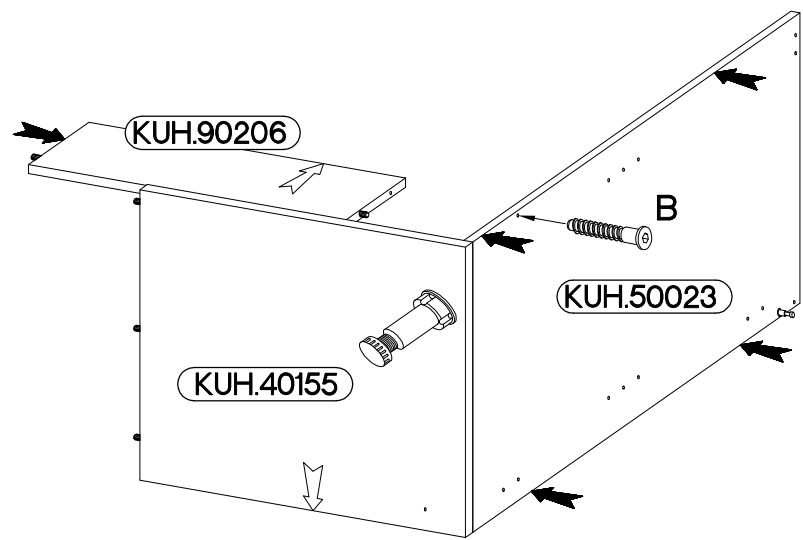
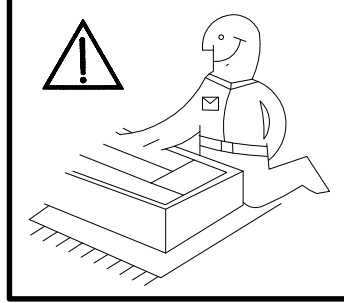
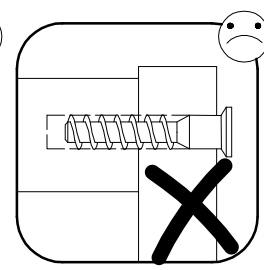
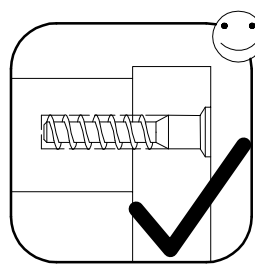
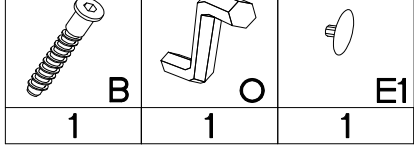
19

6,4 x 50mm			
	B	O	E1
3	1	3	

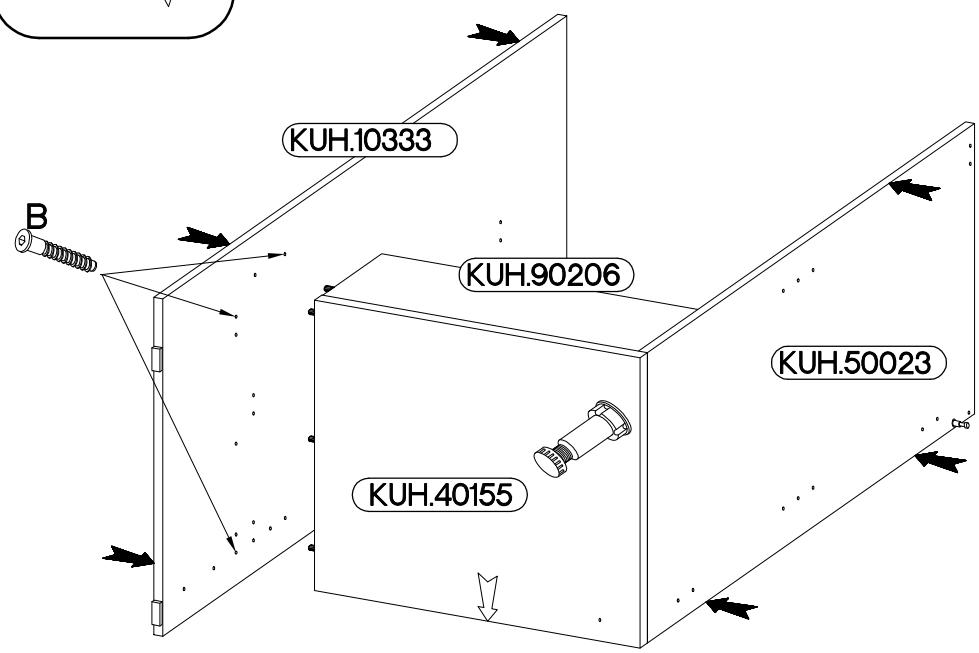


20

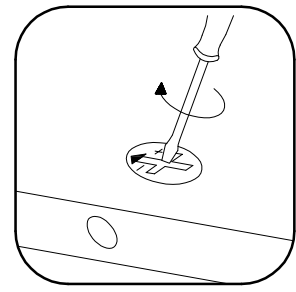
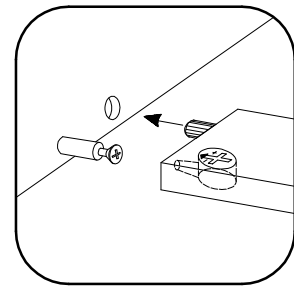
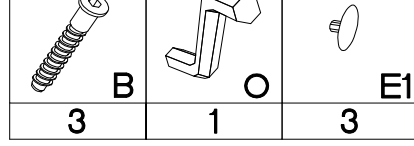
6,4 x 50mm



21

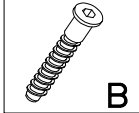


6,4 x 50mm



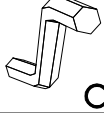
22

6,4 x 50mm



B

3



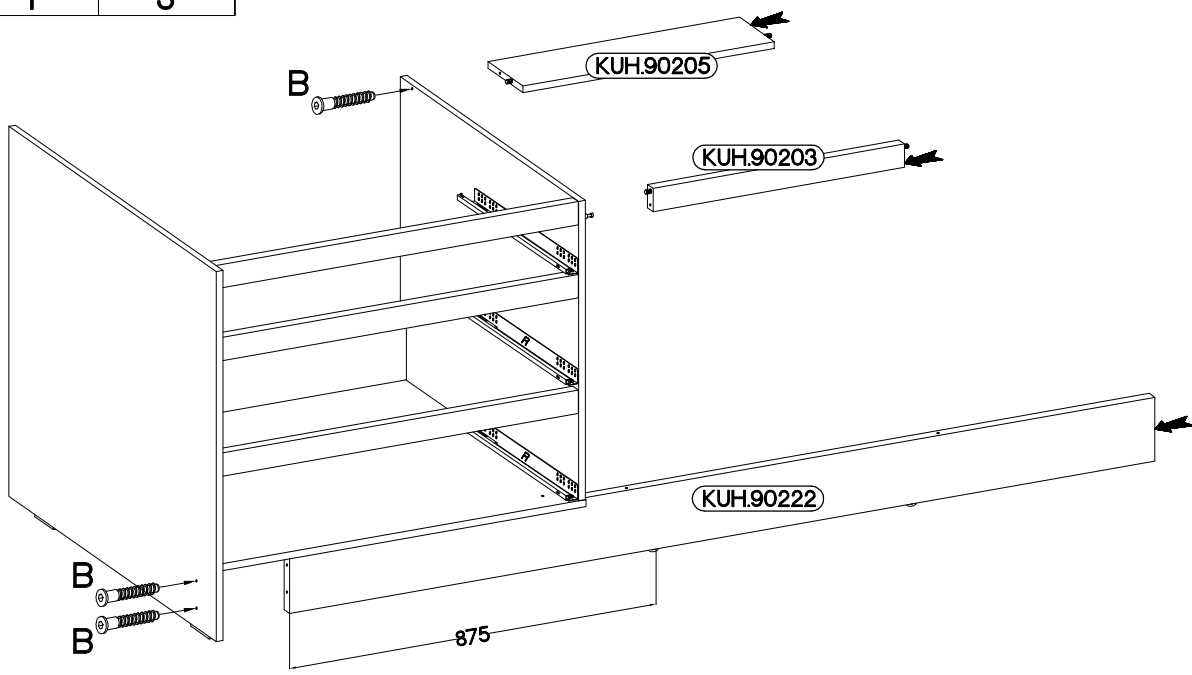
O

1

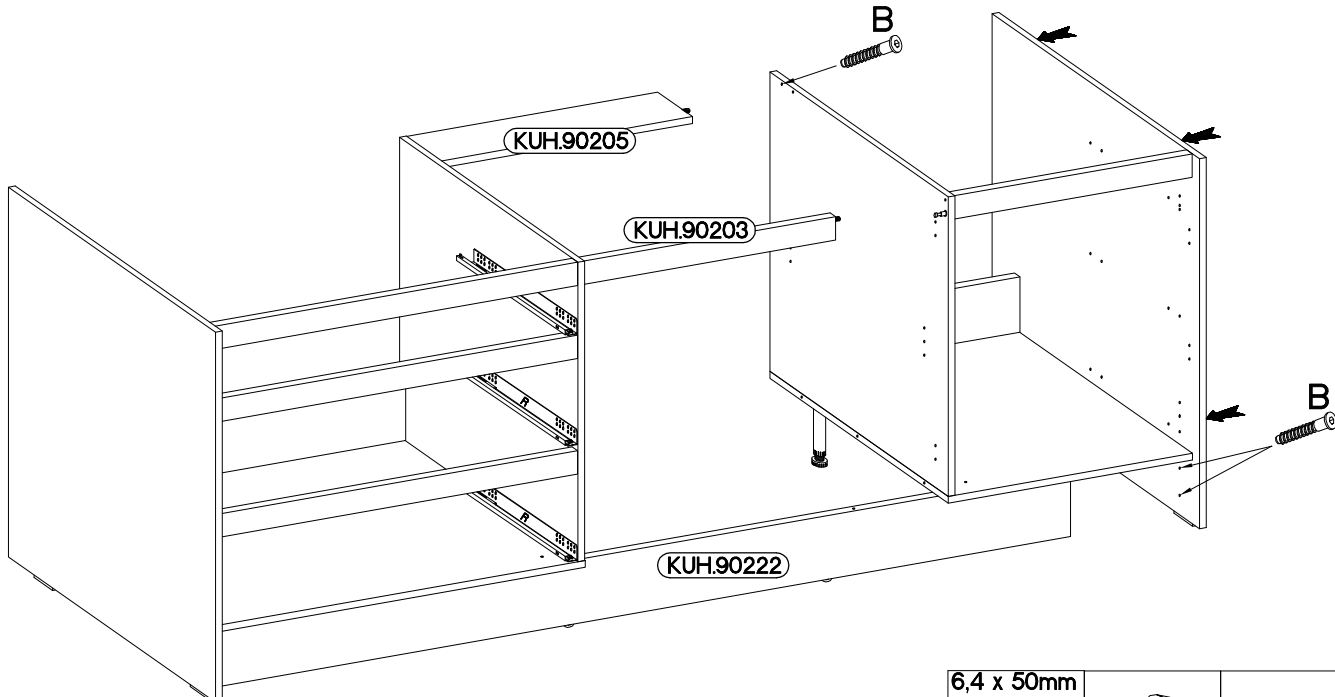
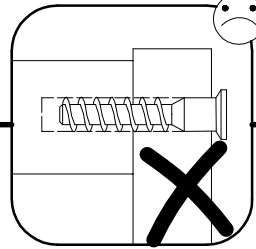
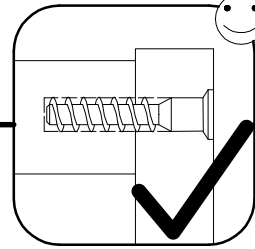
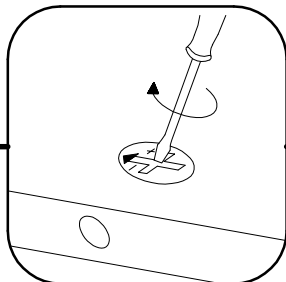
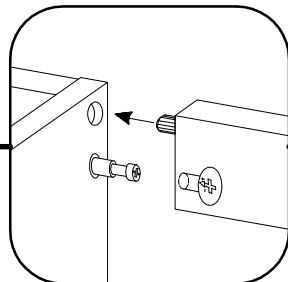
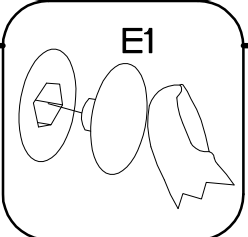
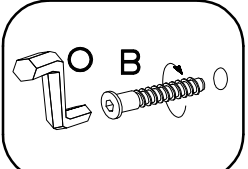


E1

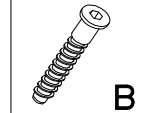
3



23

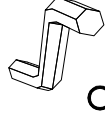


6,4 x 50mm



B

3



O

1

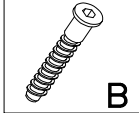


E1

3

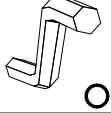
24

6,4 x 50mm



B

2



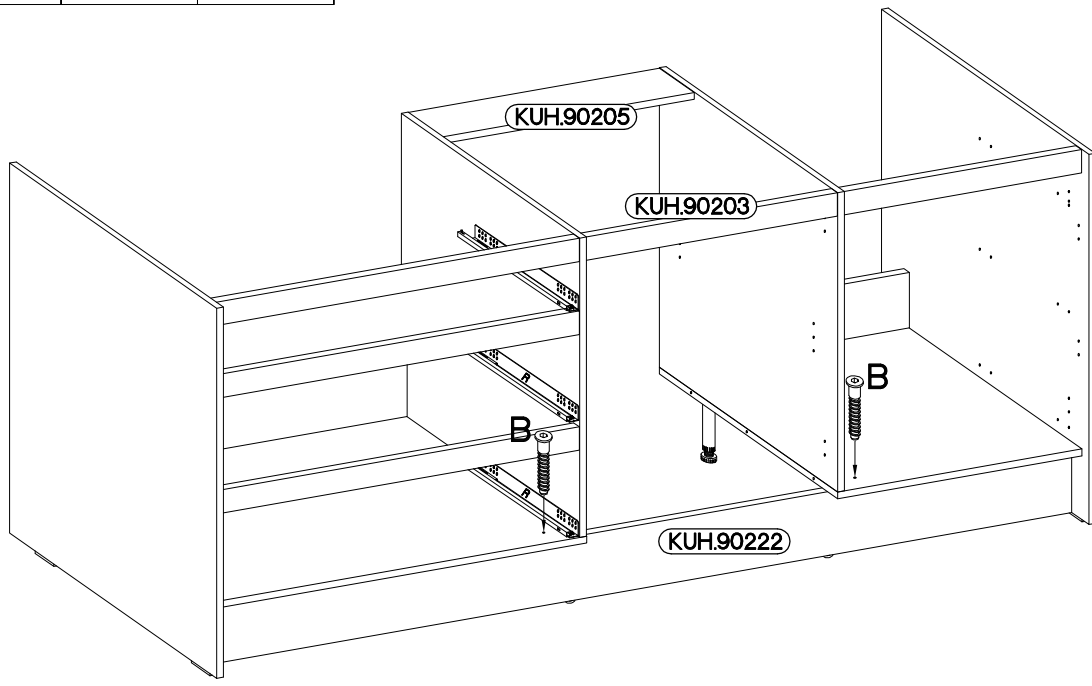
O

1

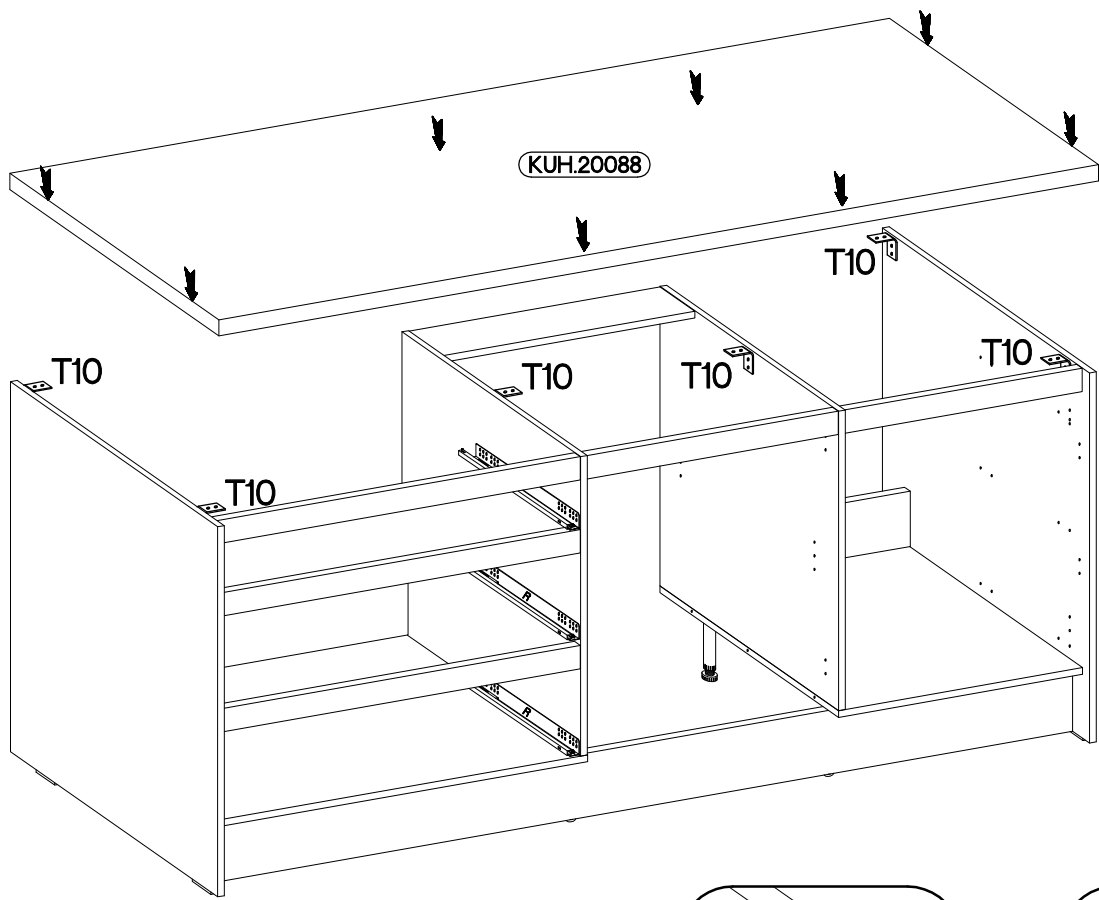


E1

2



25



±3.5x13mm



P5

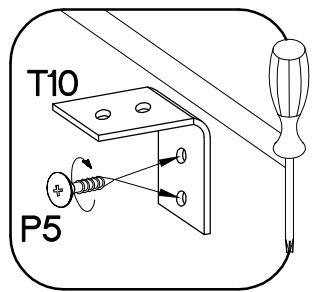
24



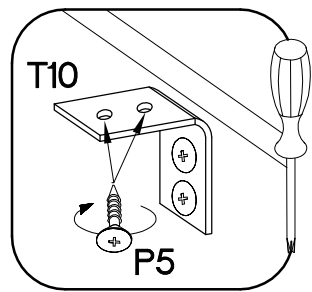
T10

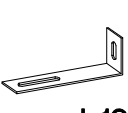

6

1.

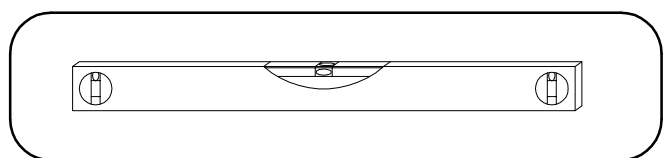
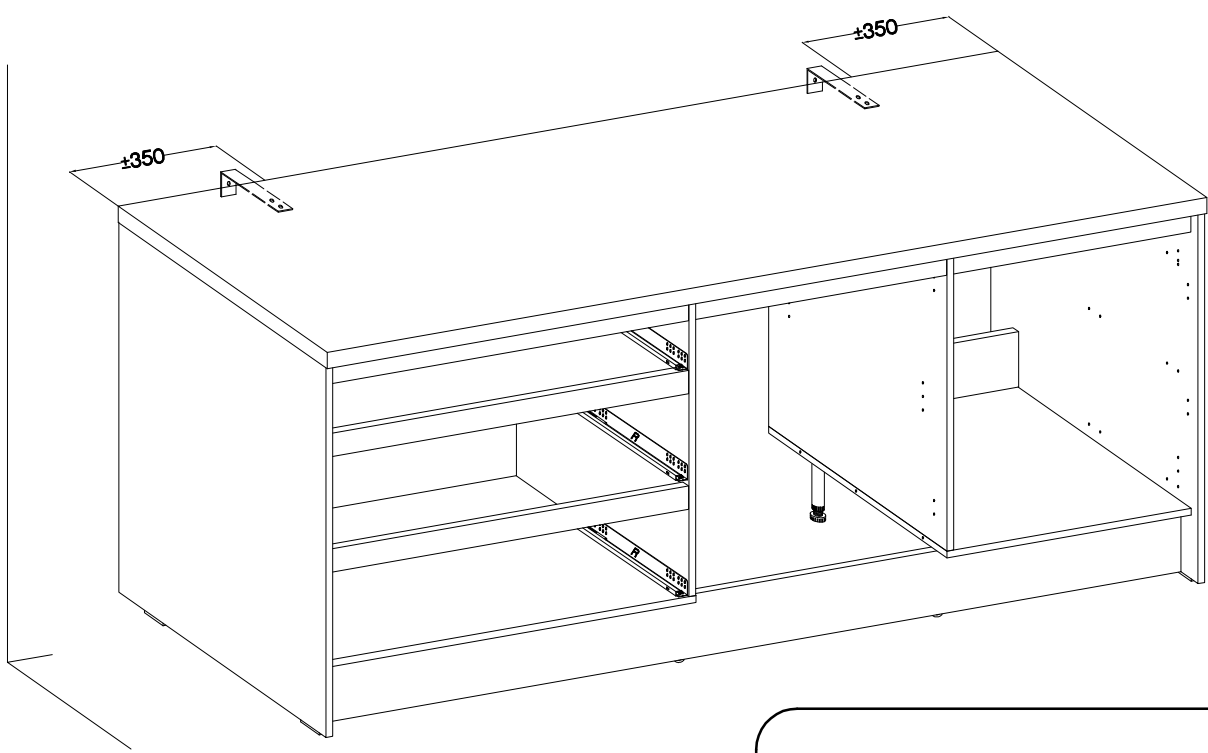


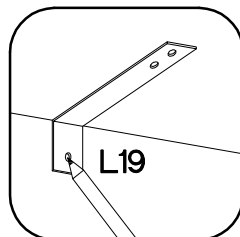

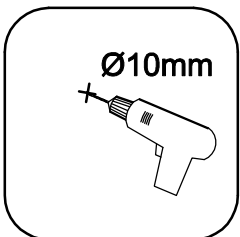
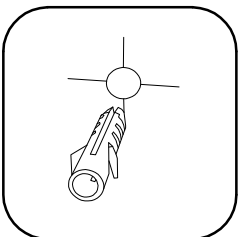
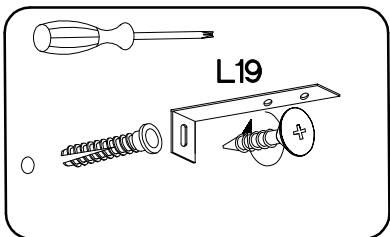
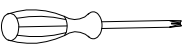
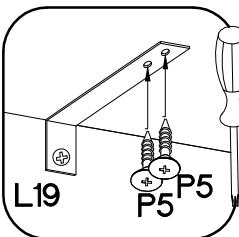

2.

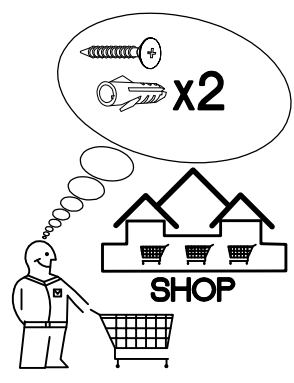
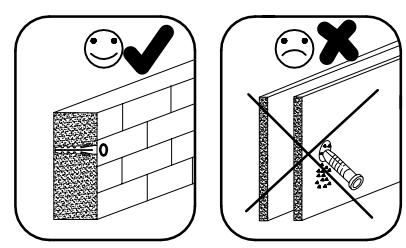


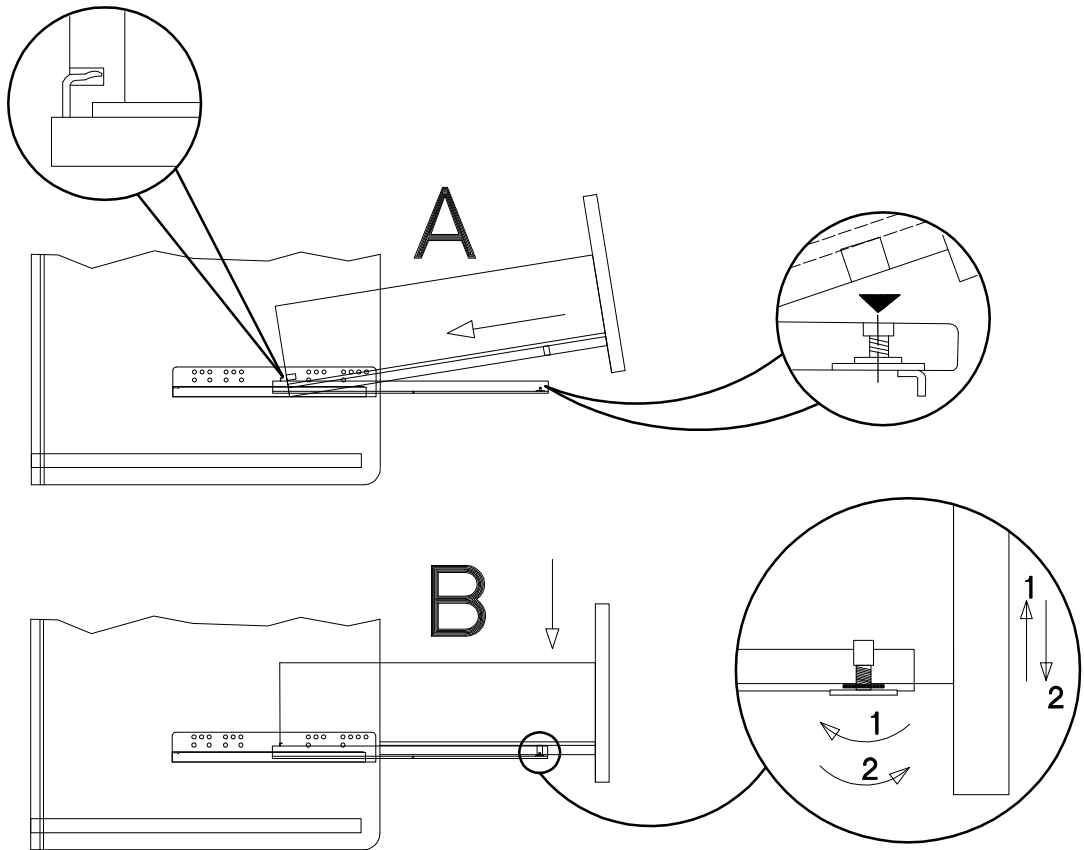
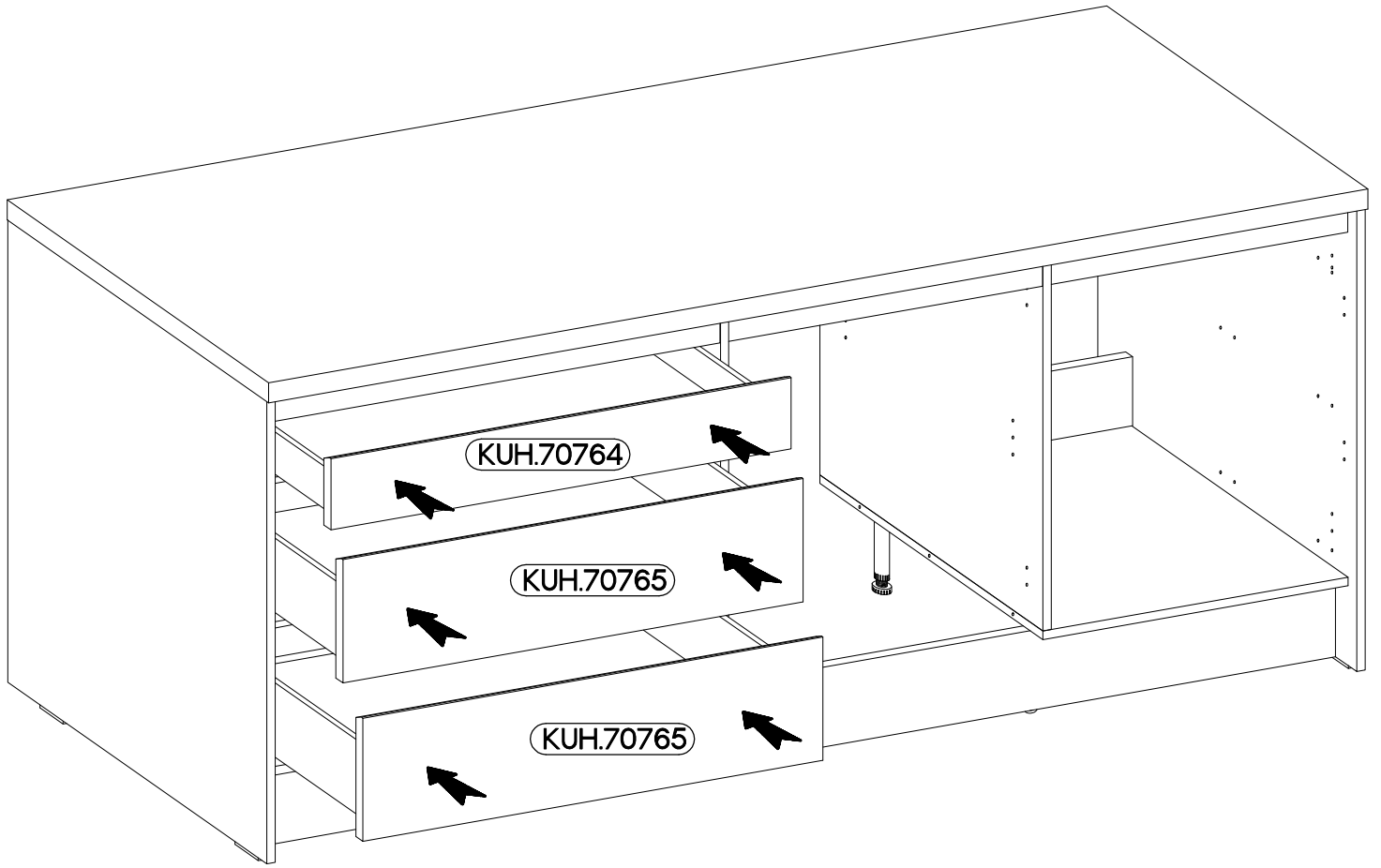
 L19	 P5
2	4

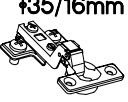

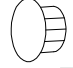

±3.5x13mm

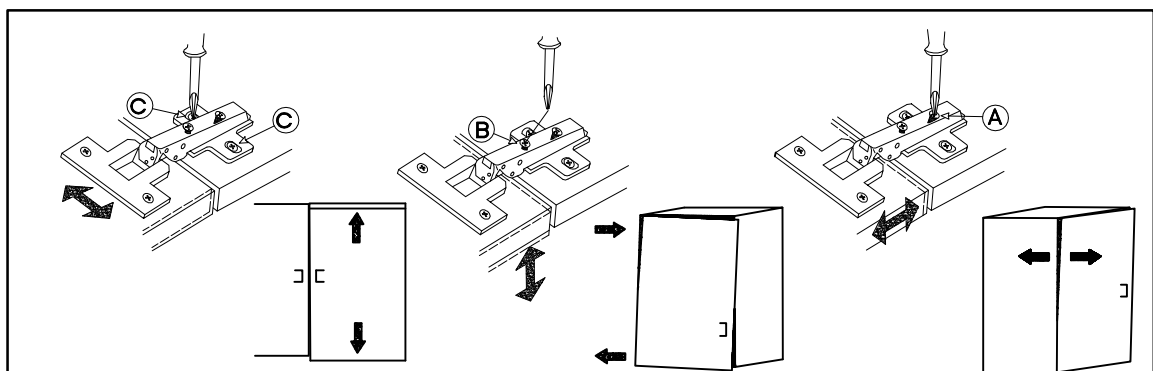
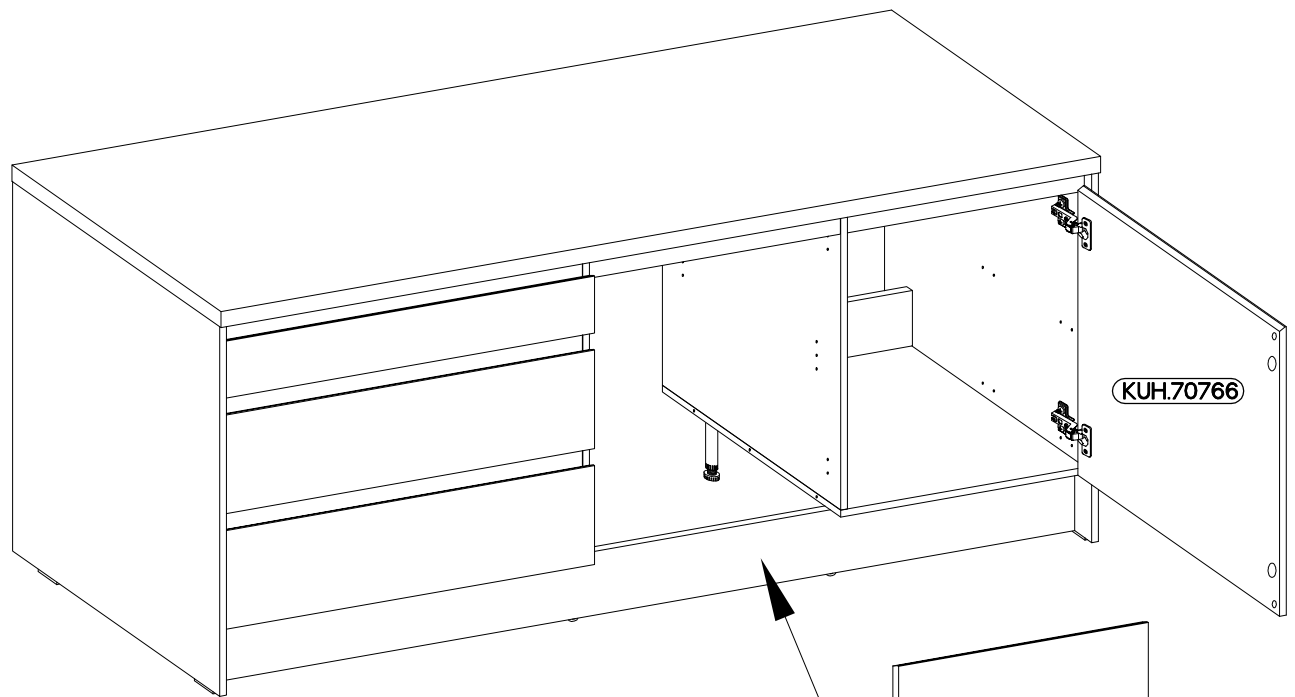
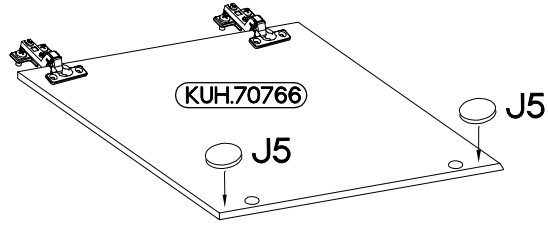
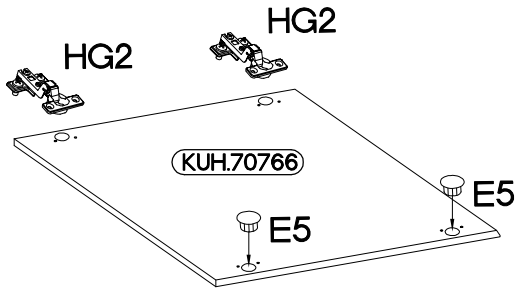
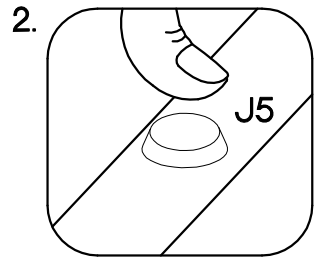
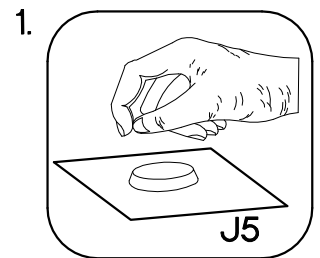
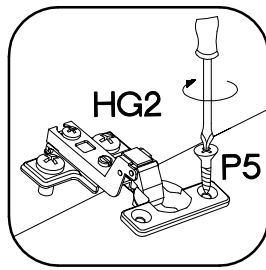


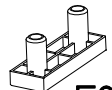
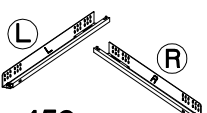


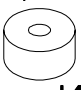
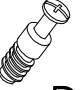
- 
1. 
- 
2. $\text{Ø}10\text{mm}$
- 
3.
- 
4. 
L19
- 
5. 
L19 P5

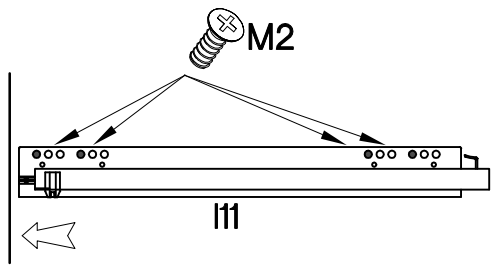
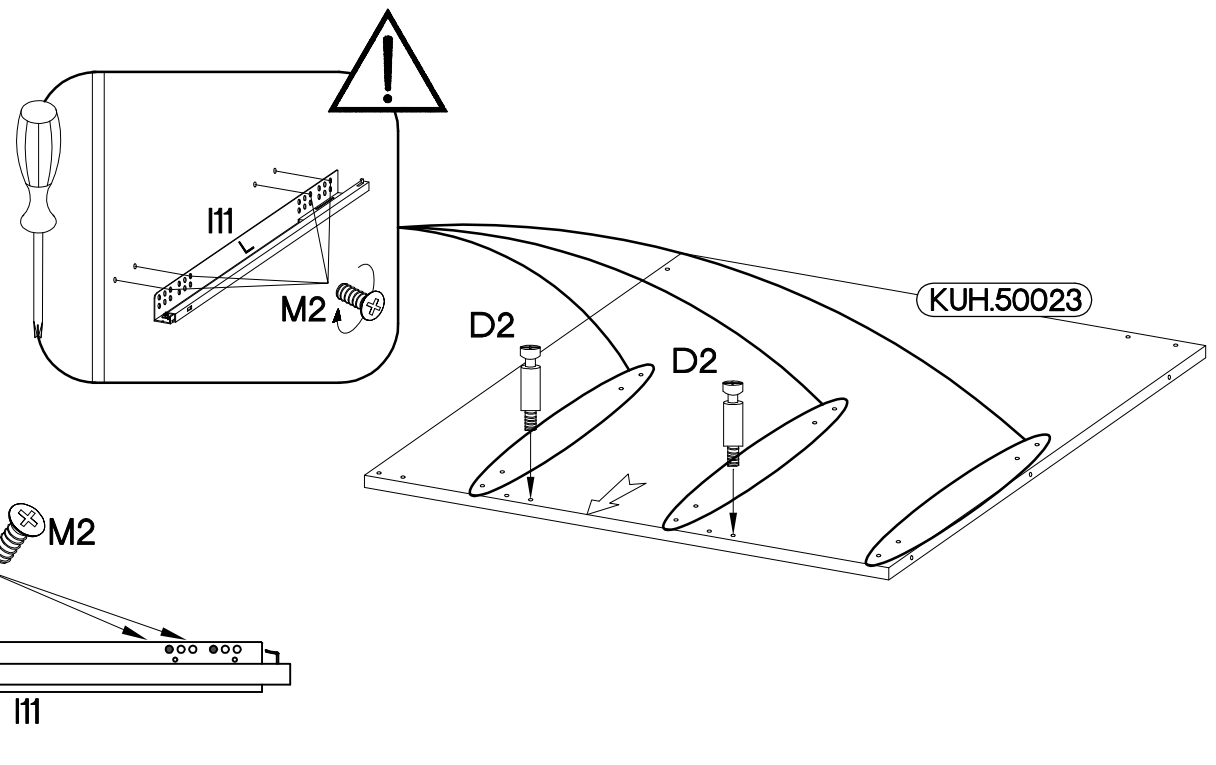
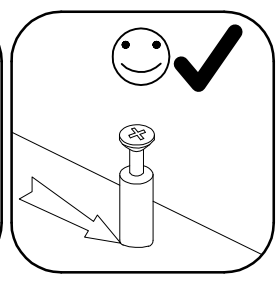
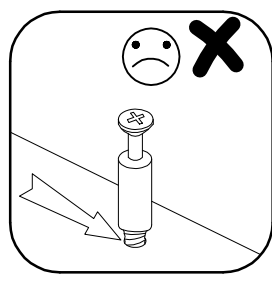
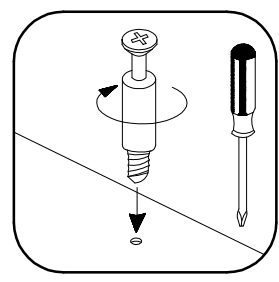
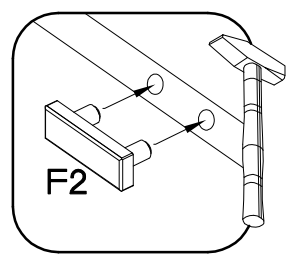
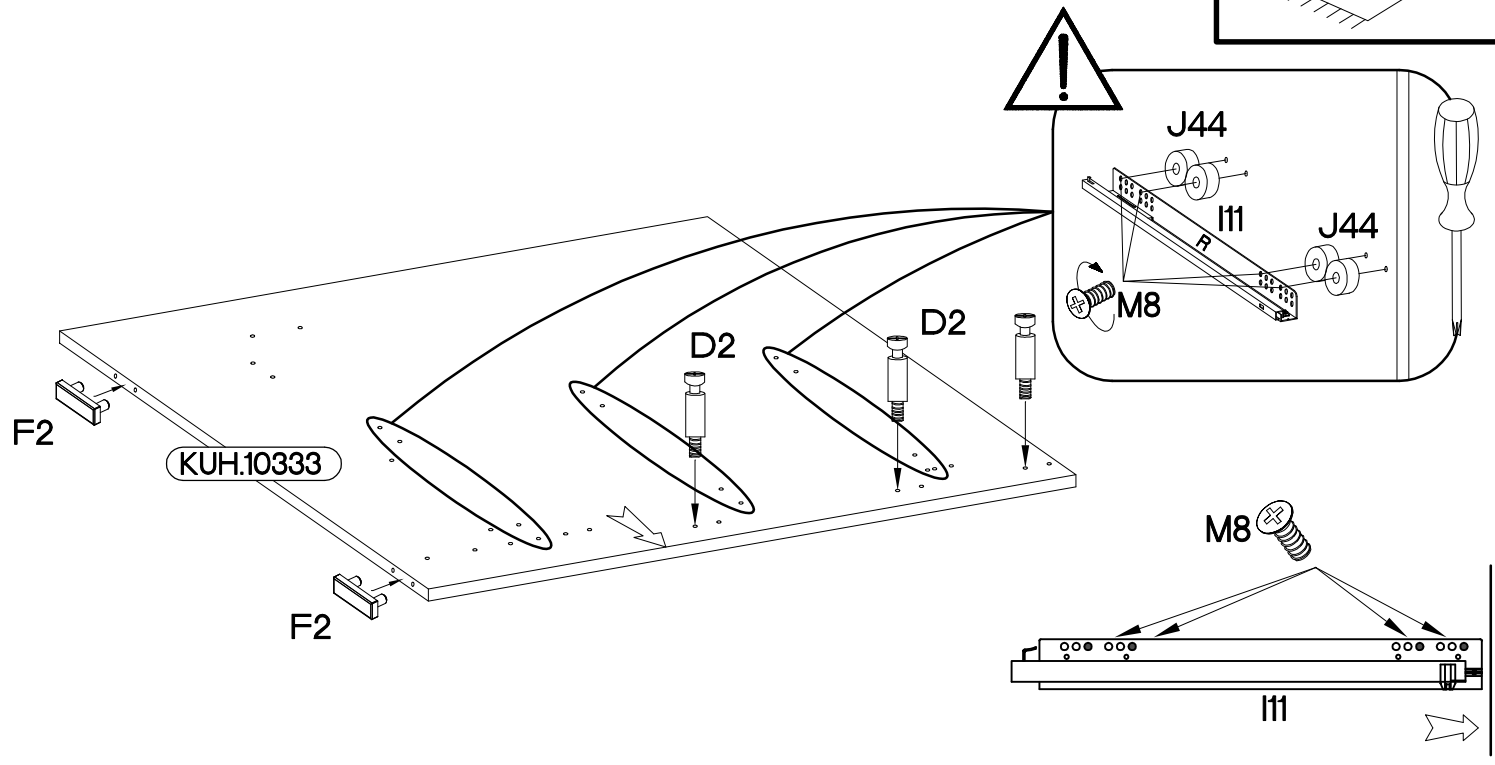
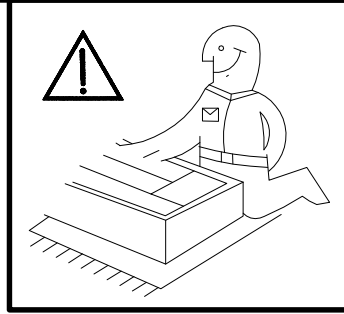




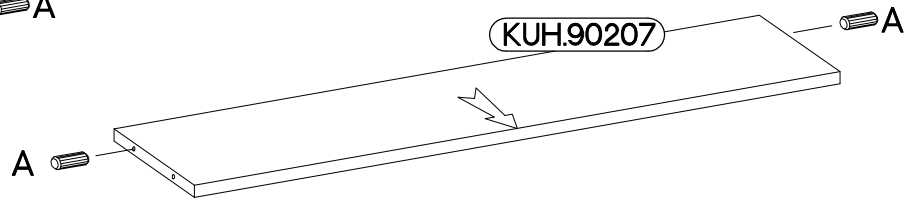
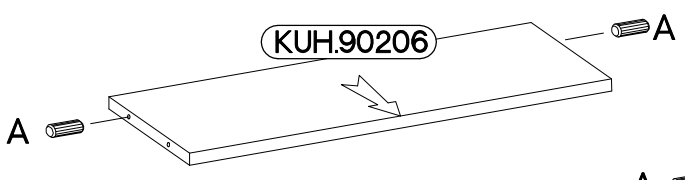
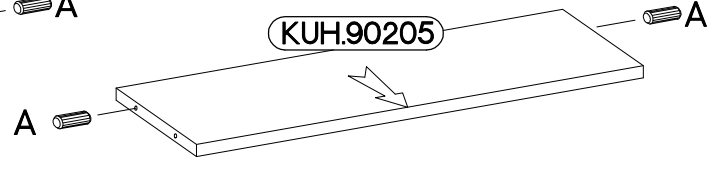
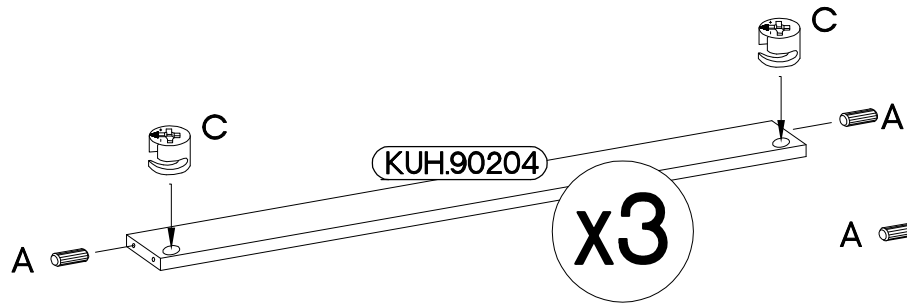
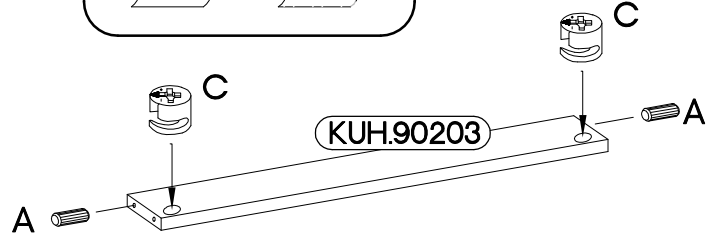
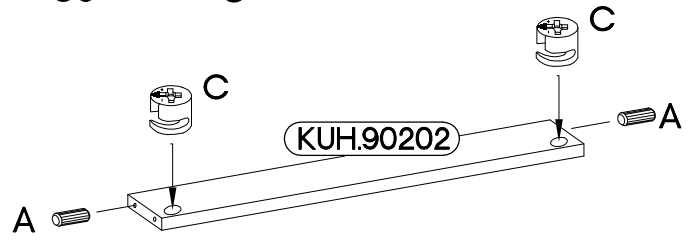
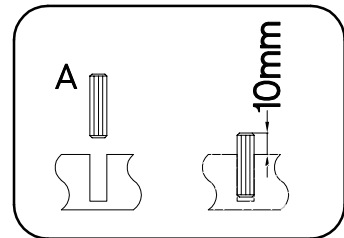
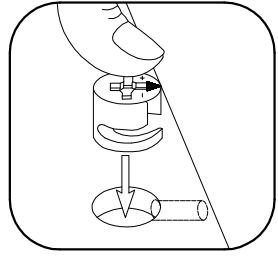
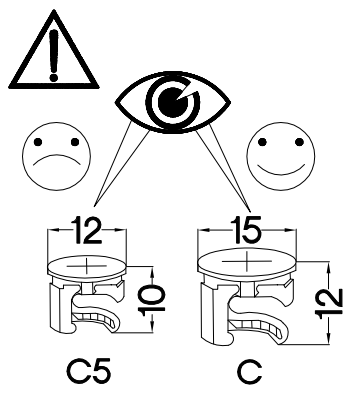
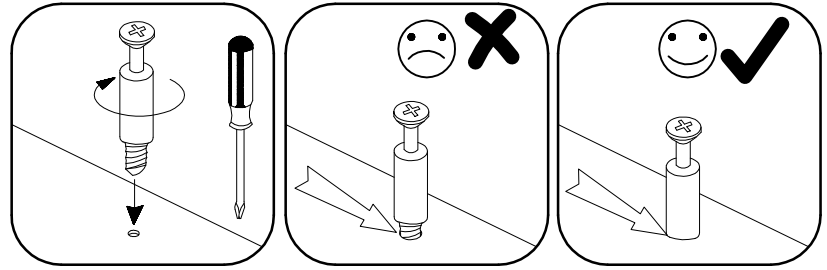
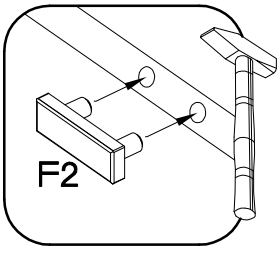
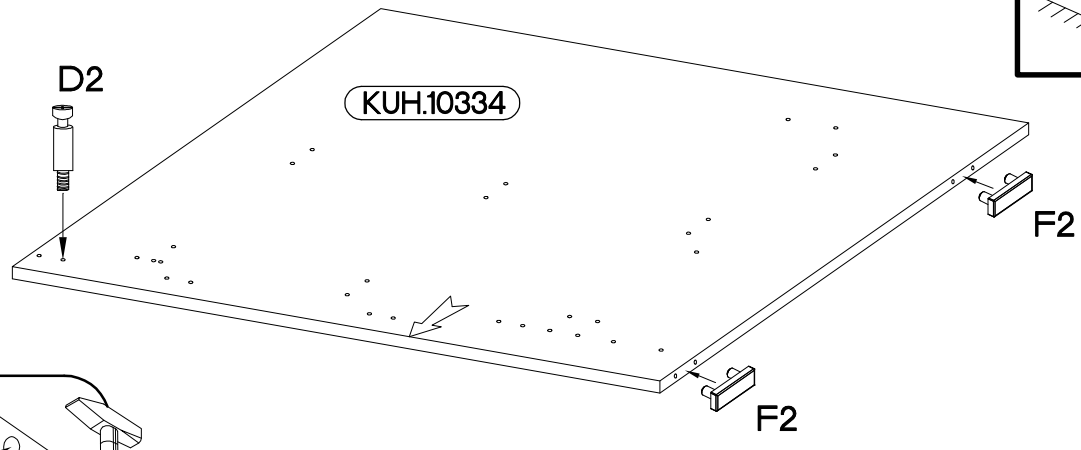
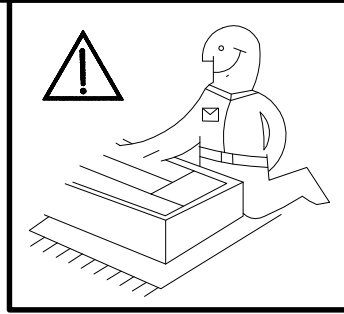
 $\pm 35/16\text{mm}$	 $\pm 3.5 \times 13\text{mm}$	 $\pm 35\text{mm}$	
HG2	P5	E5	J5
2	4	2	2



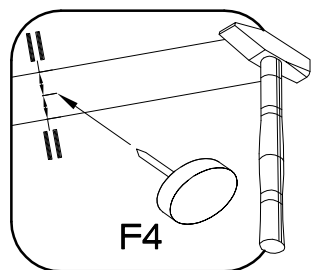
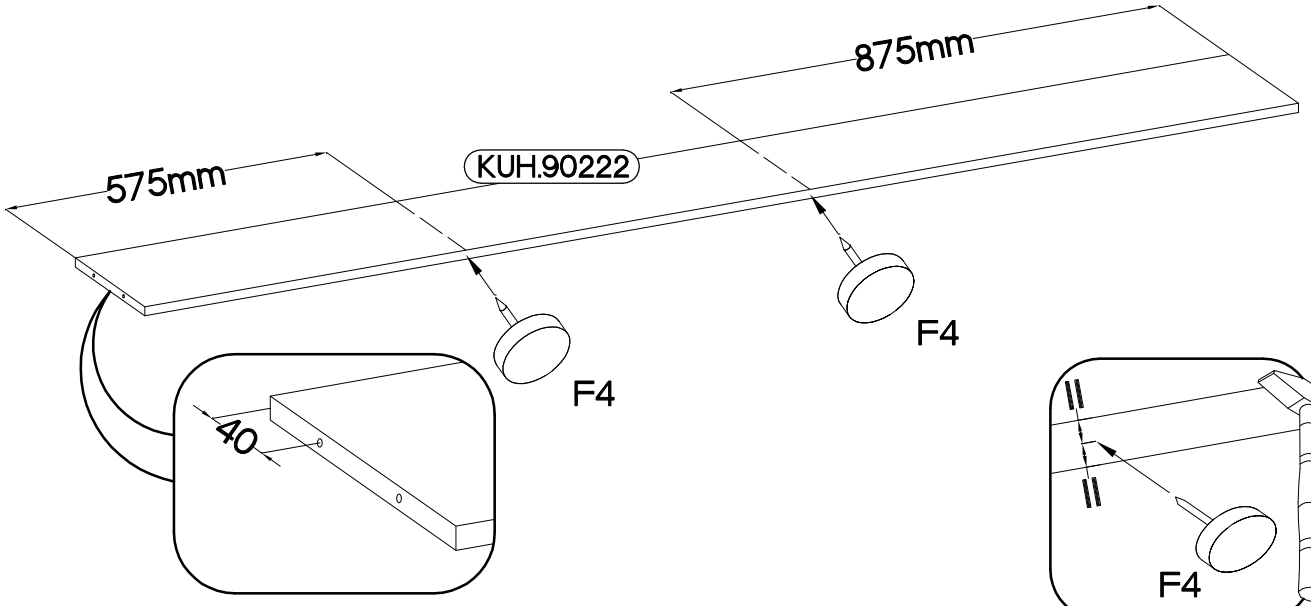
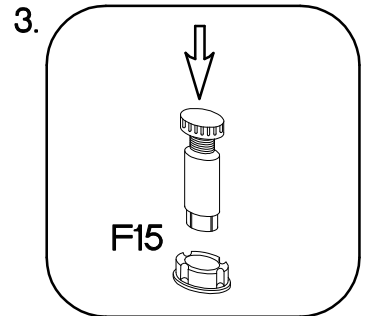
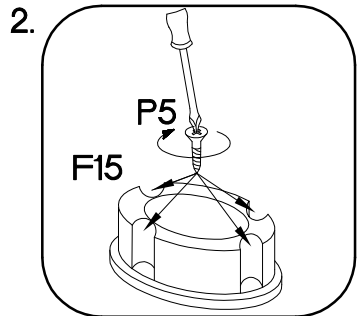
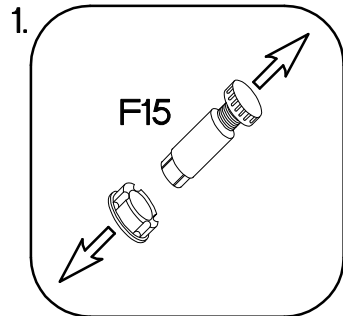
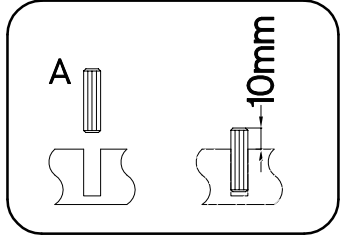
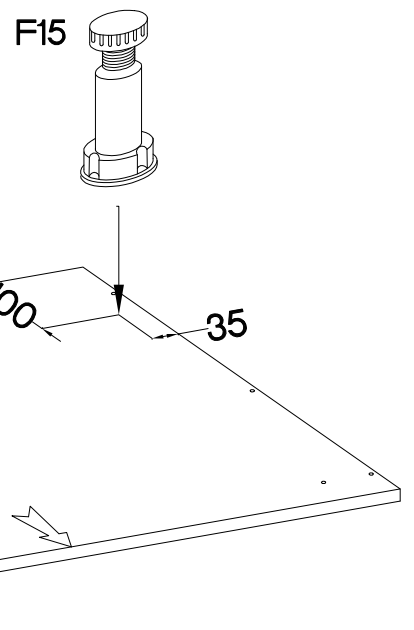
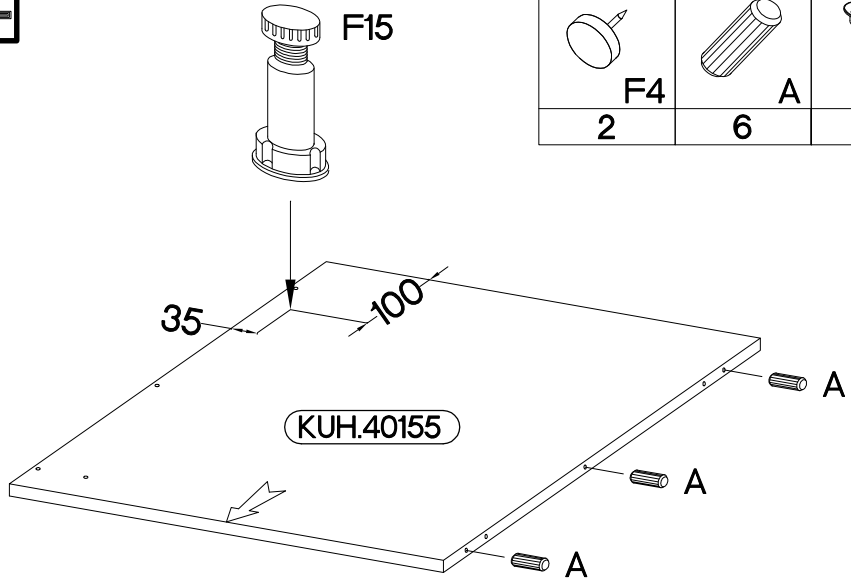
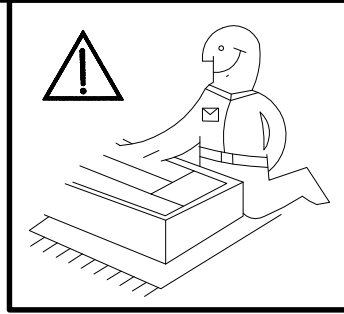
6.5x48x16  F2 2	 L=450mm 3	 M2 12	 M8 12	 J44 12	 D2 5
--	--	--	--	---	---



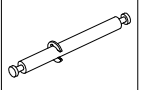
6.5x48x16 F2 2	L=20mm D2 1	+8x30mm A 16	+15/12mm C 10
----------------------	-------------------	--------------------	---------------------

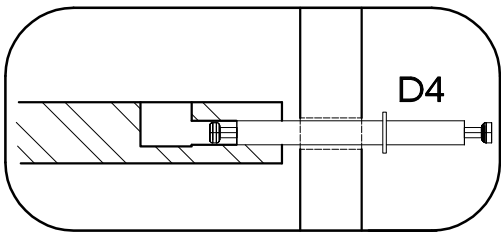
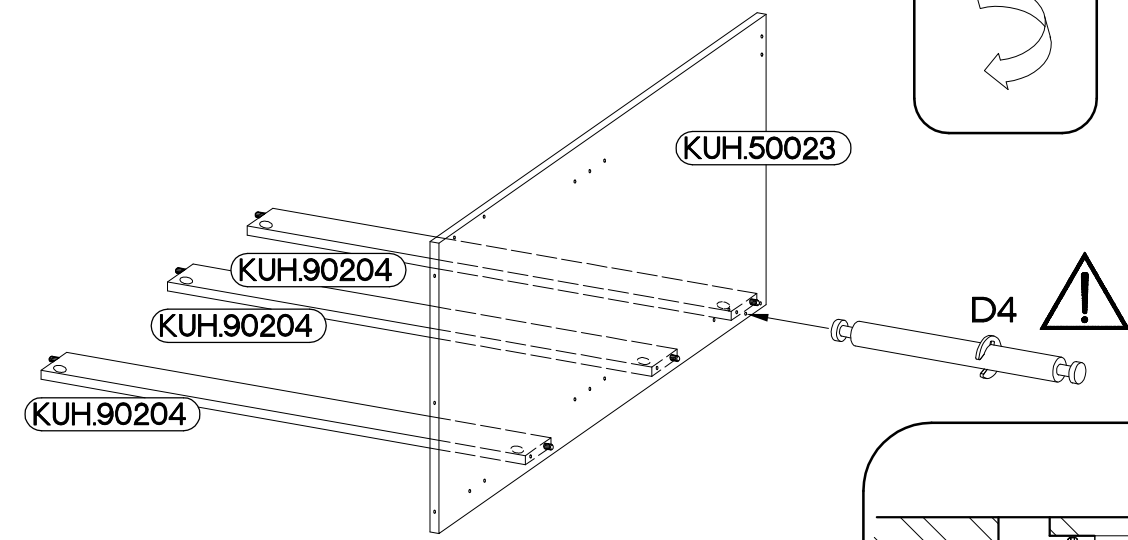
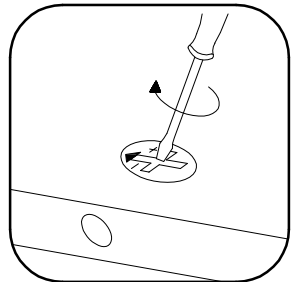
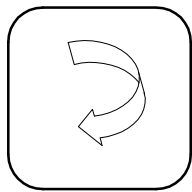
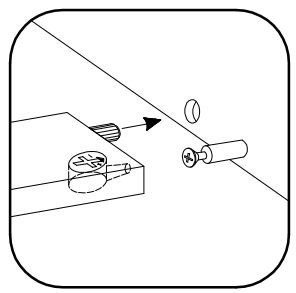
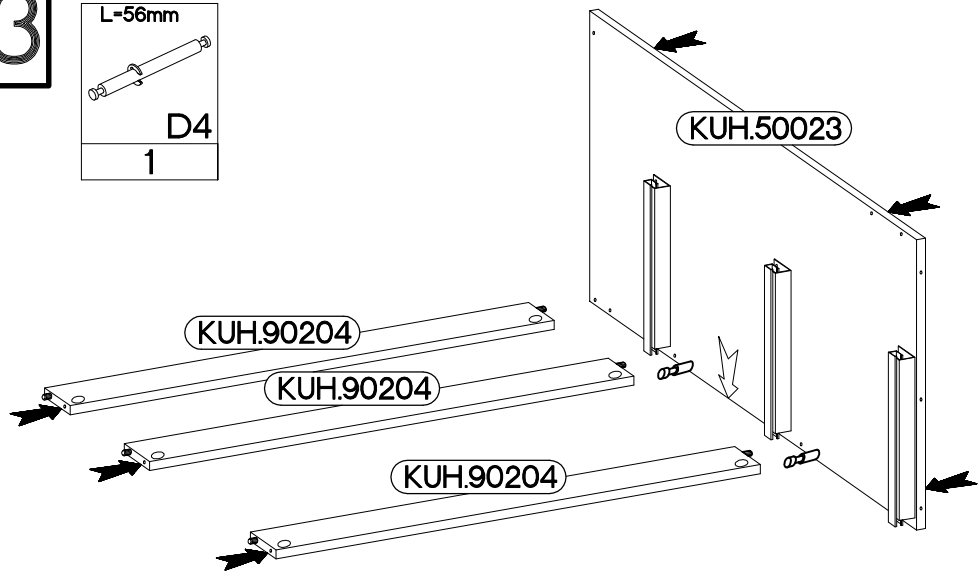
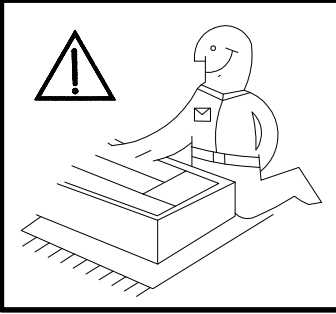


±15x5mm F4 2	±8x30mm A 6	L=150mm F15 2	±3.5x13mm P5 8
--------------------	-------------------	---------------------	----------------------

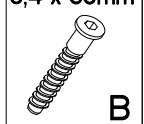
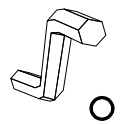
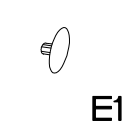


33

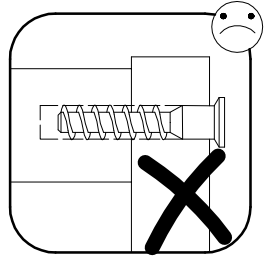
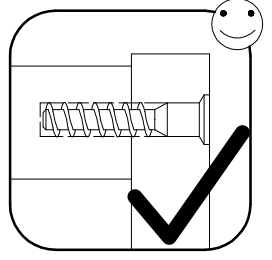
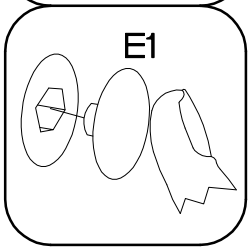
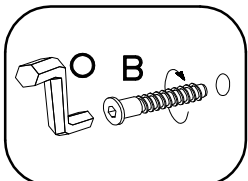
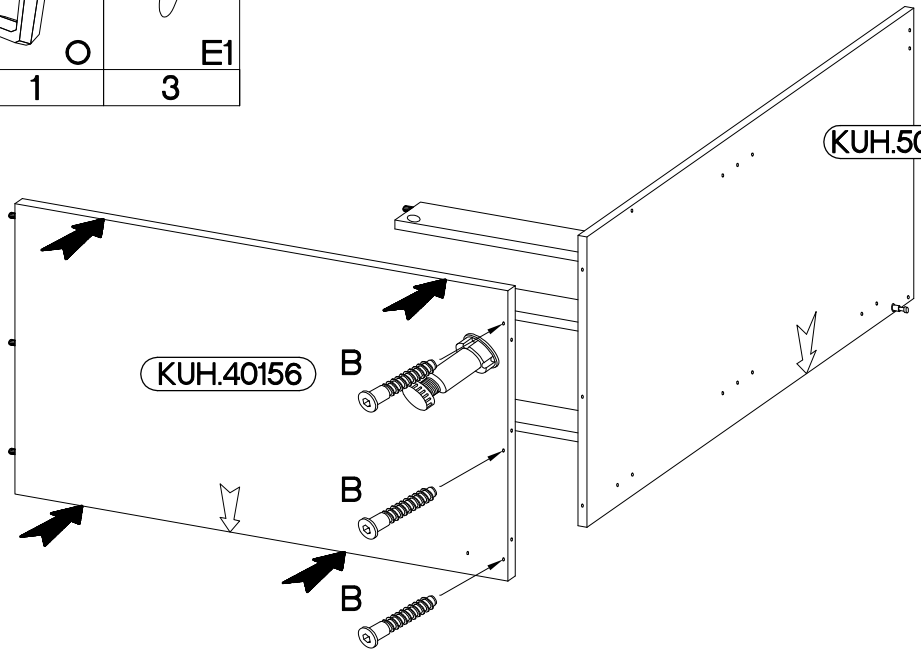
L=56mm

 D4
 1



34

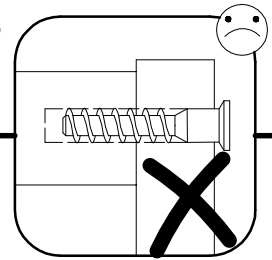
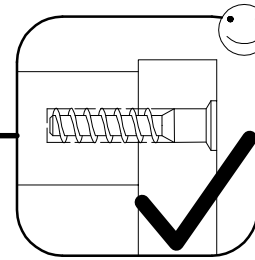
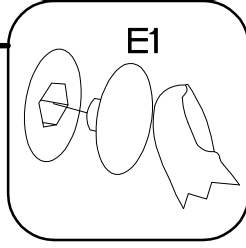
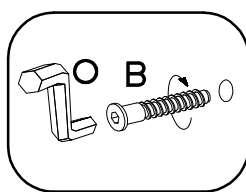
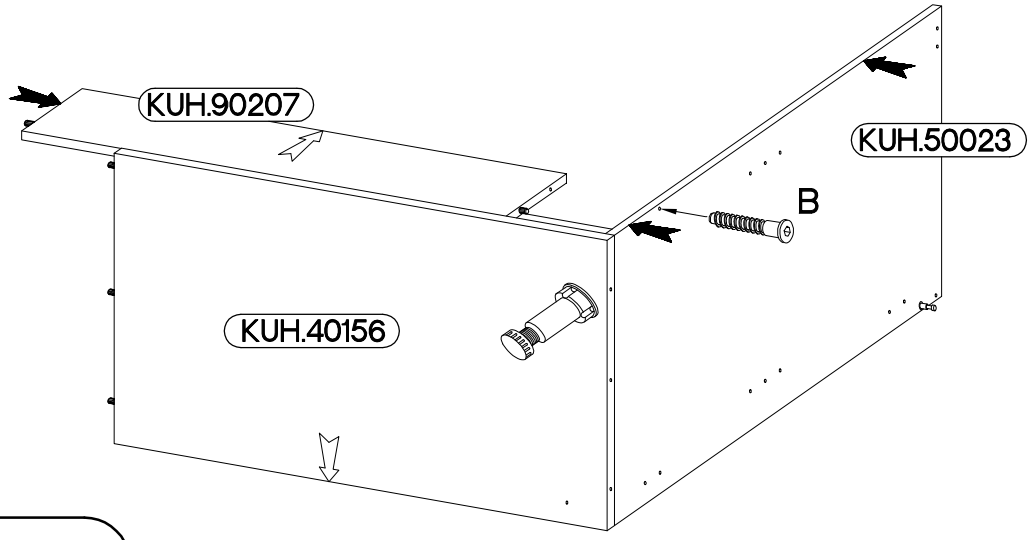
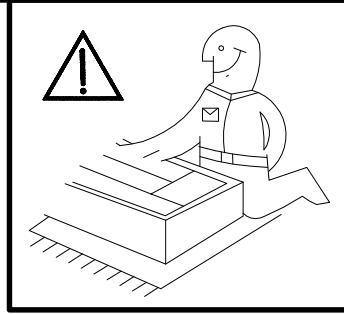
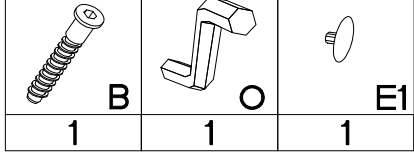
6,4 x 50mm
 B
 O
 E1
 3 1 3

KUH.50023

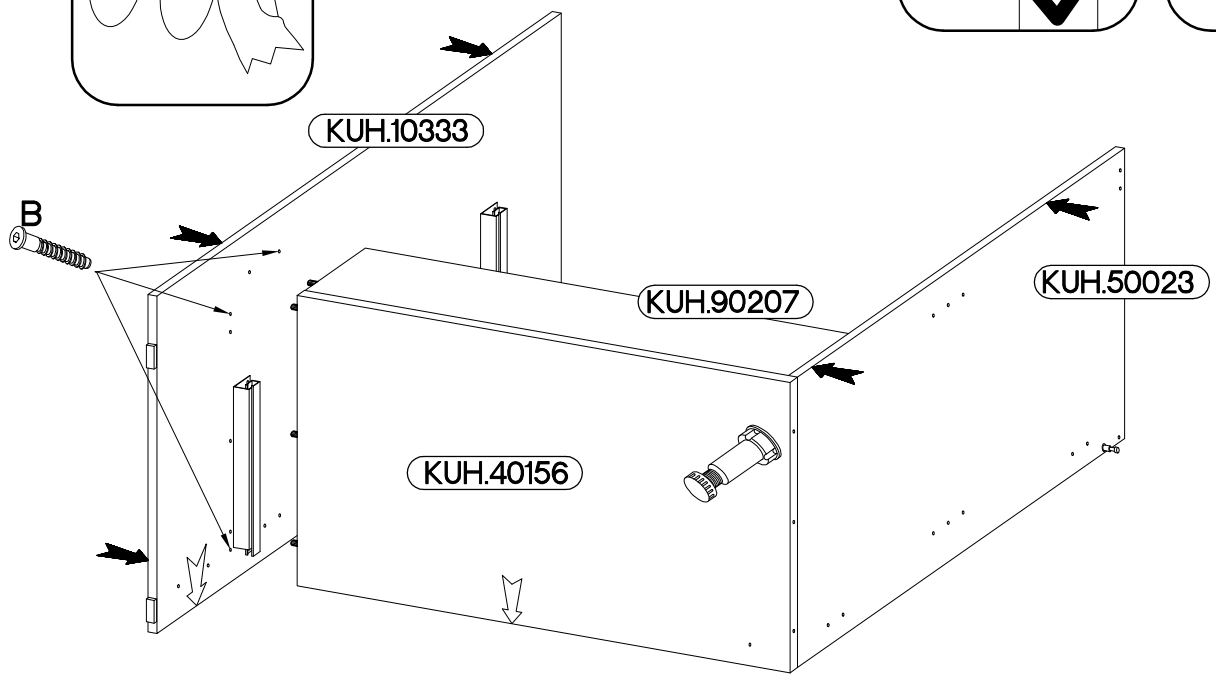


35

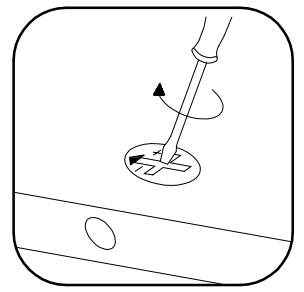
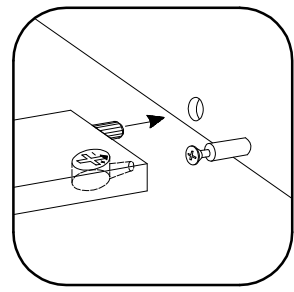
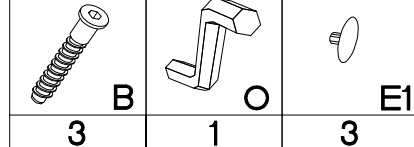
6,4 x 50mm



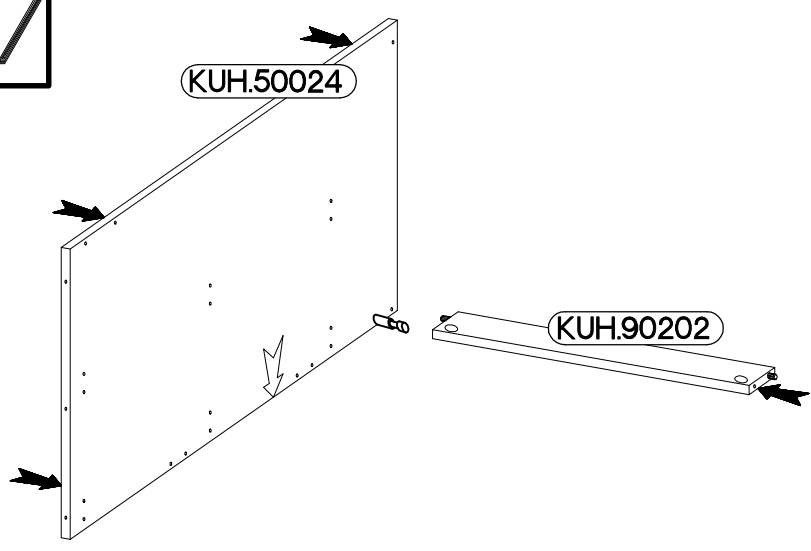
36



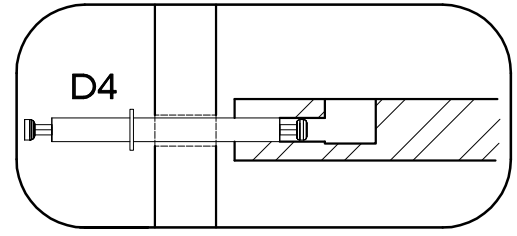
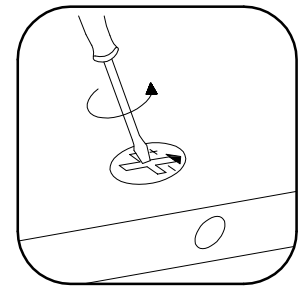
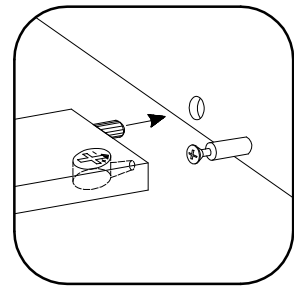
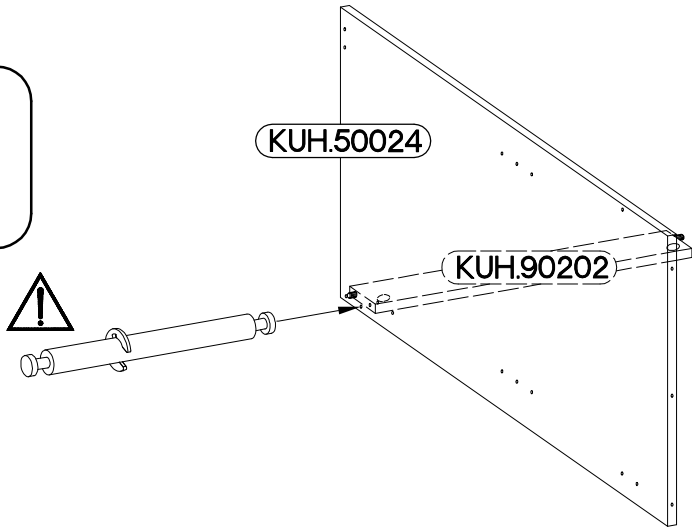
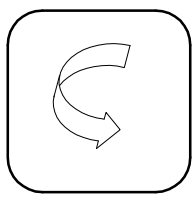
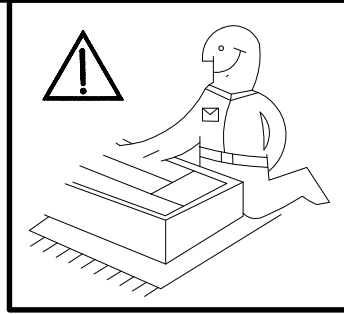
6,4 x 50mm



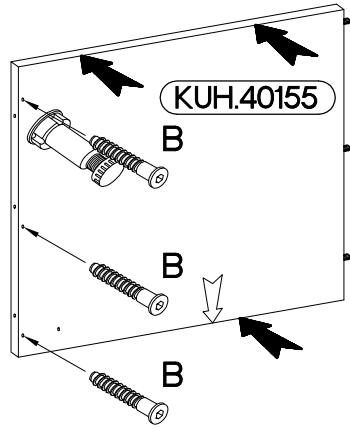
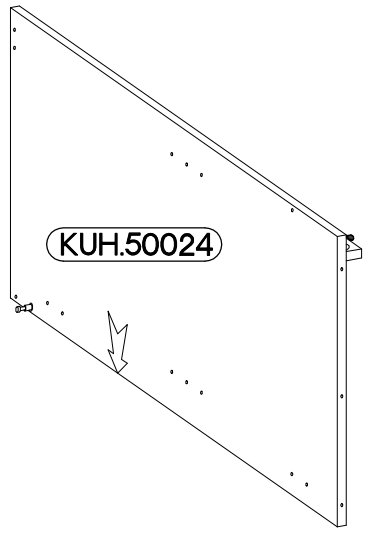
37



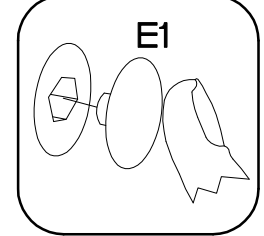
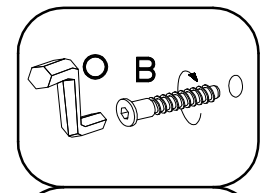
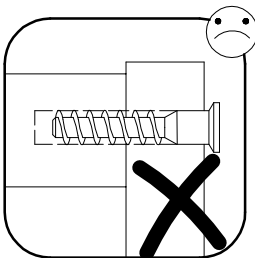
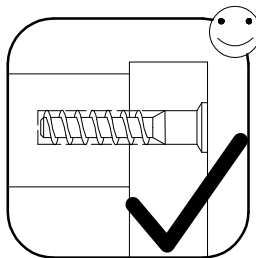
L=56mm
D4
1



38

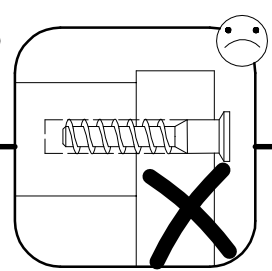
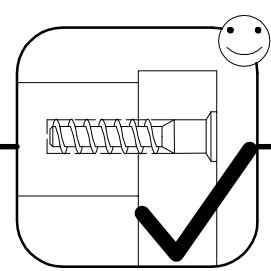
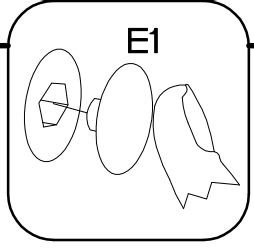
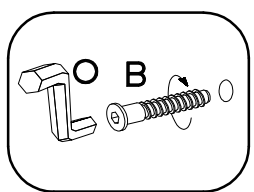
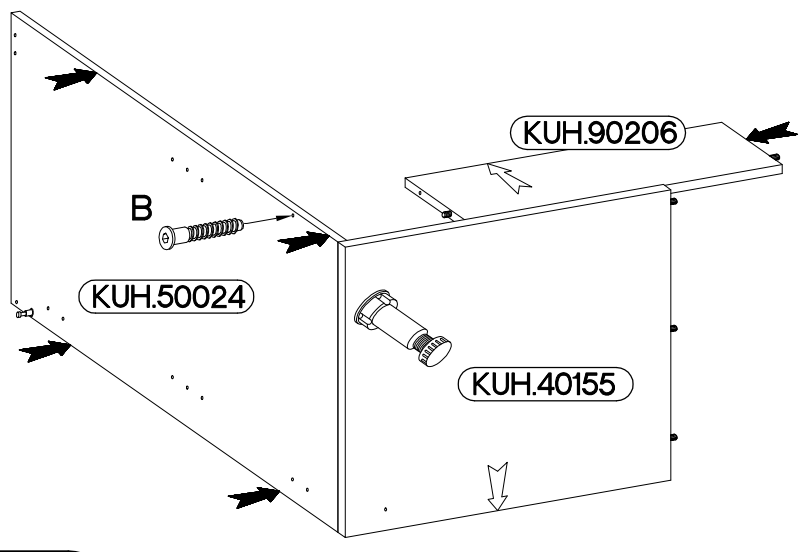
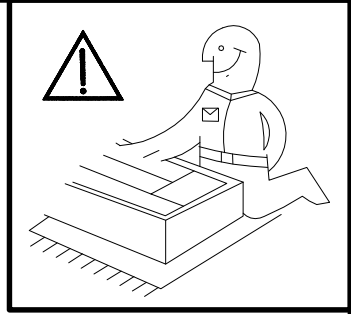
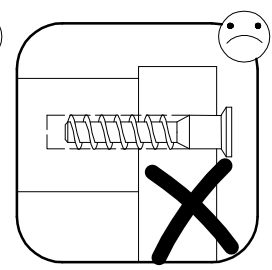
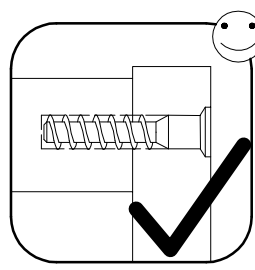
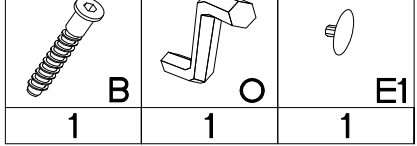


6,4 x 50mm			
	B	O	E1
	3	1	3

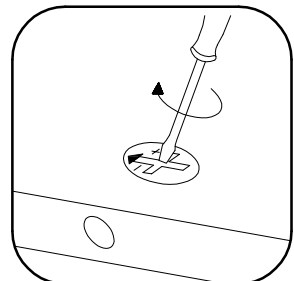
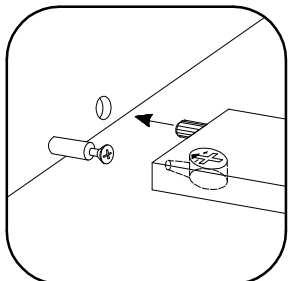
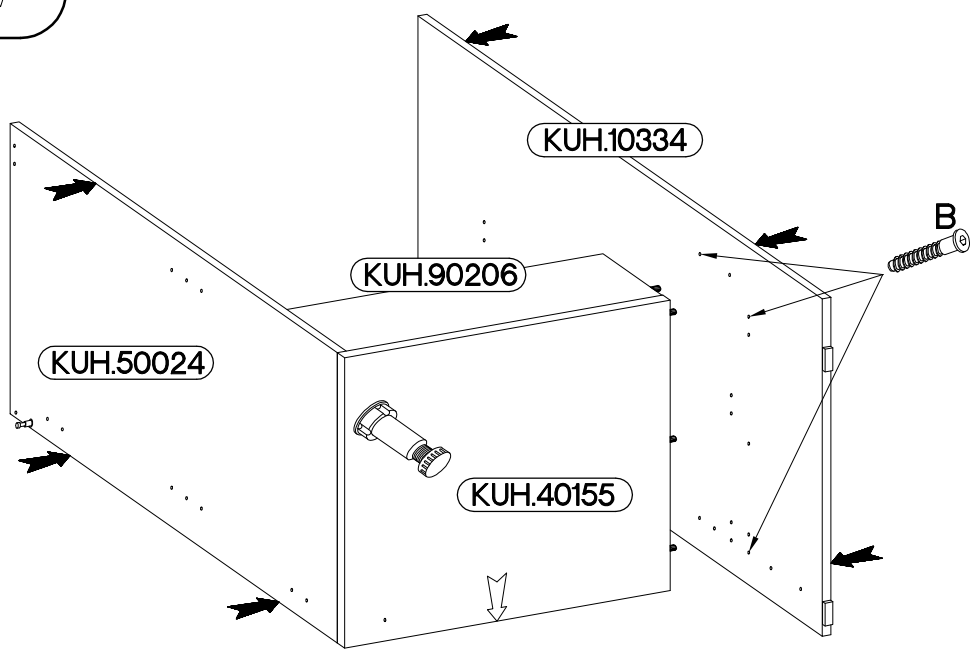


39

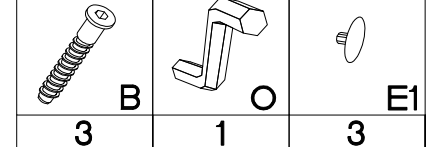
6,4 x 50mm


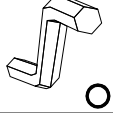



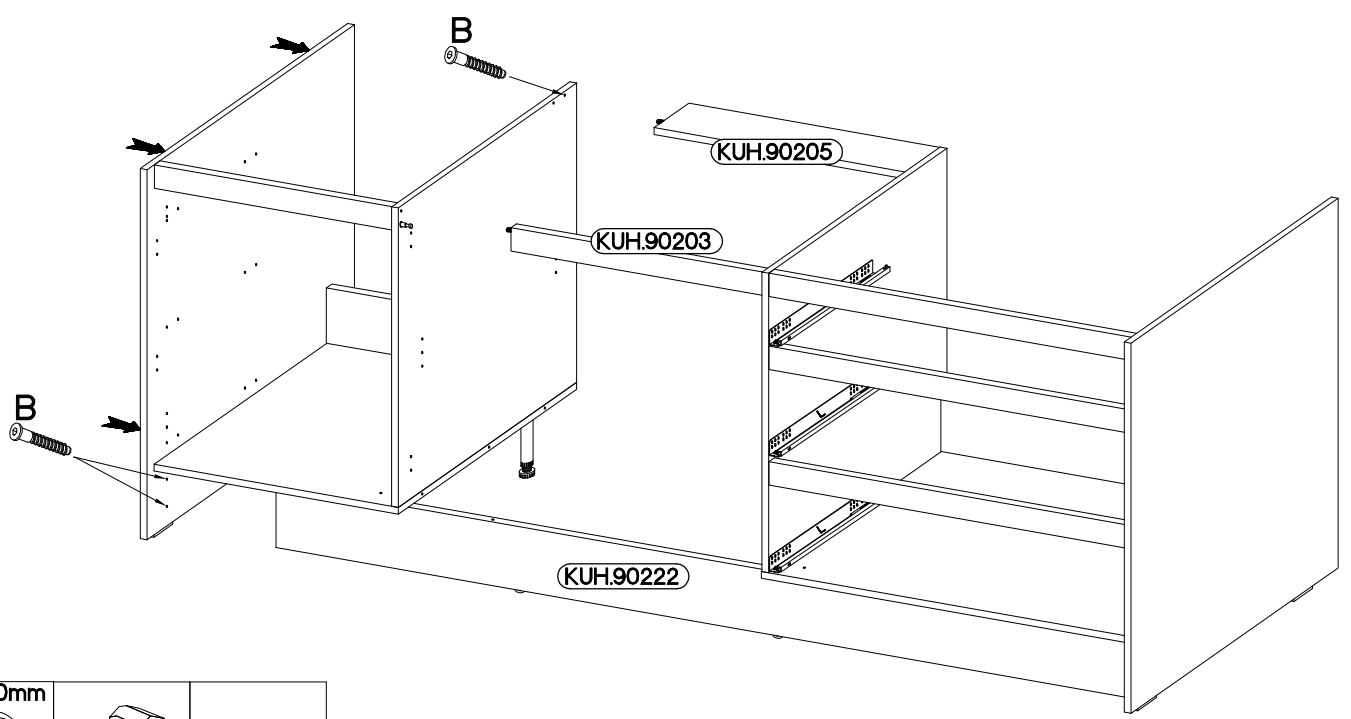
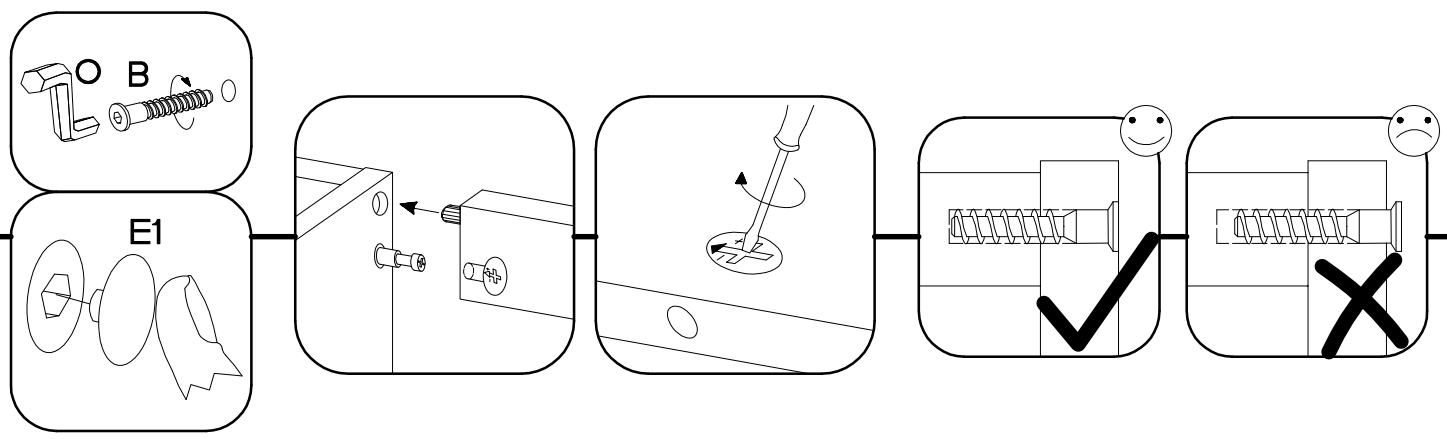
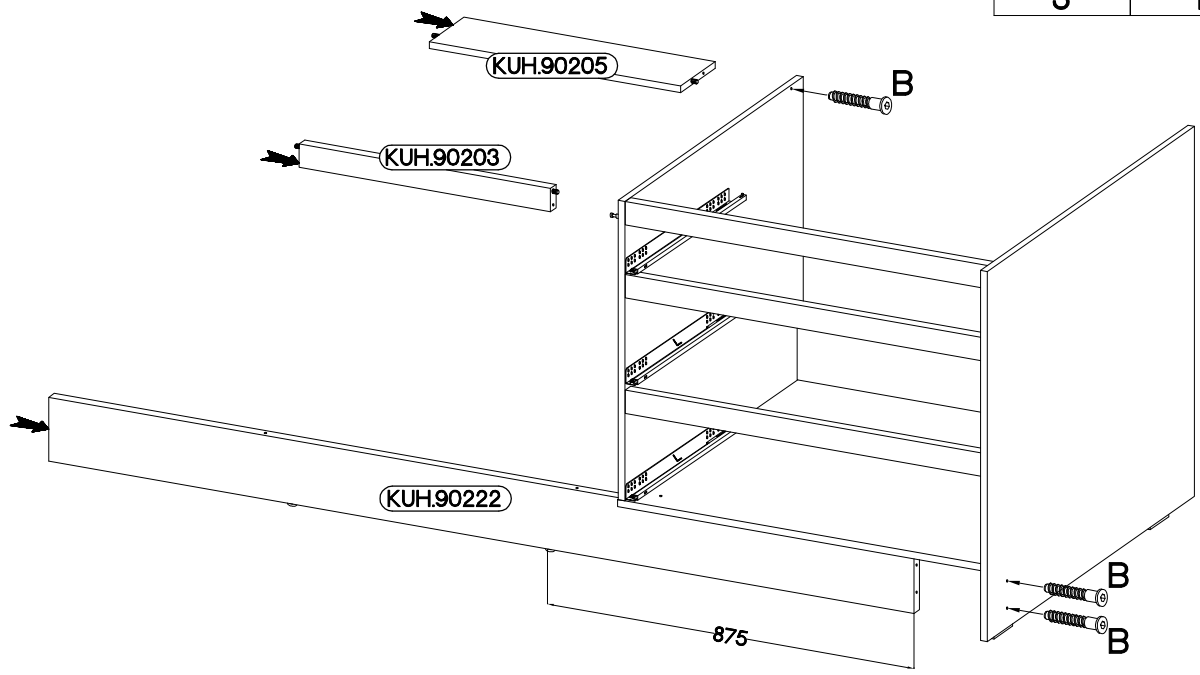
40


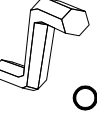




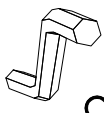

6,4 x 50mm

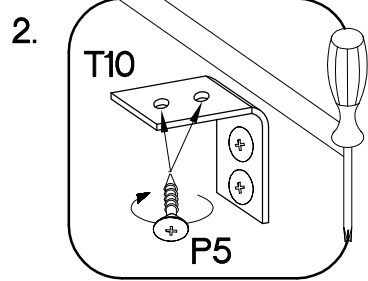
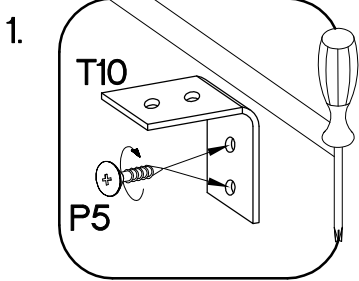
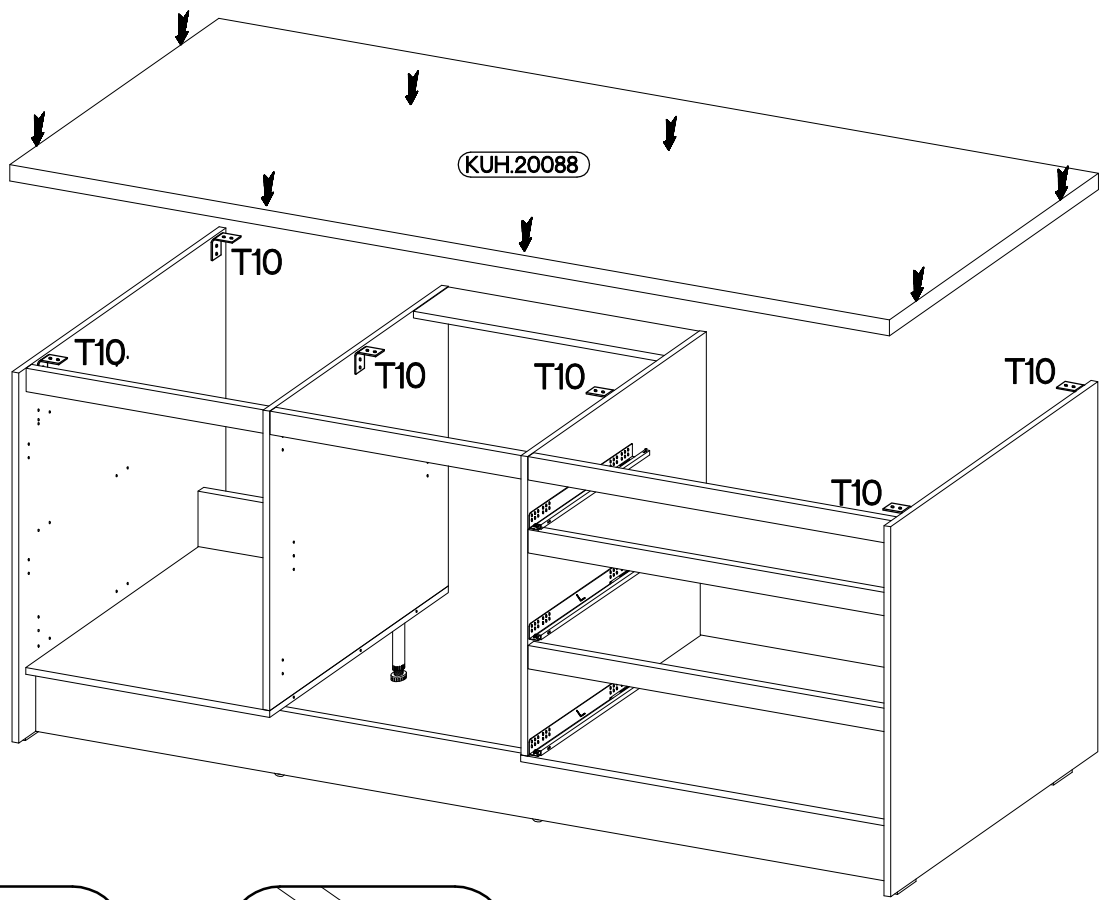
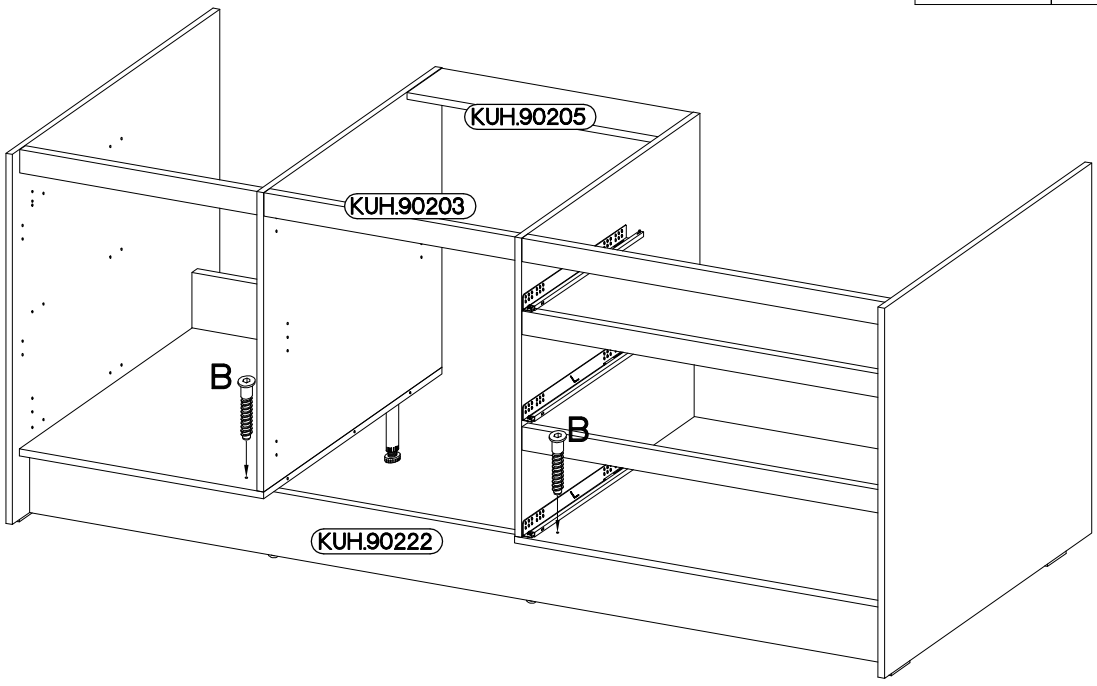




6,4 x 50mm		
		
B	O	E1
3	1	3

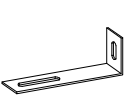



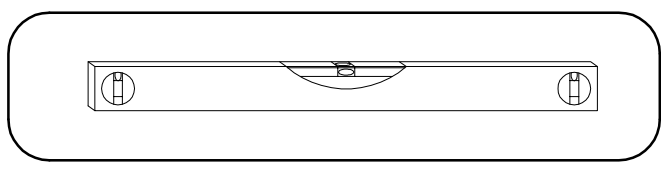
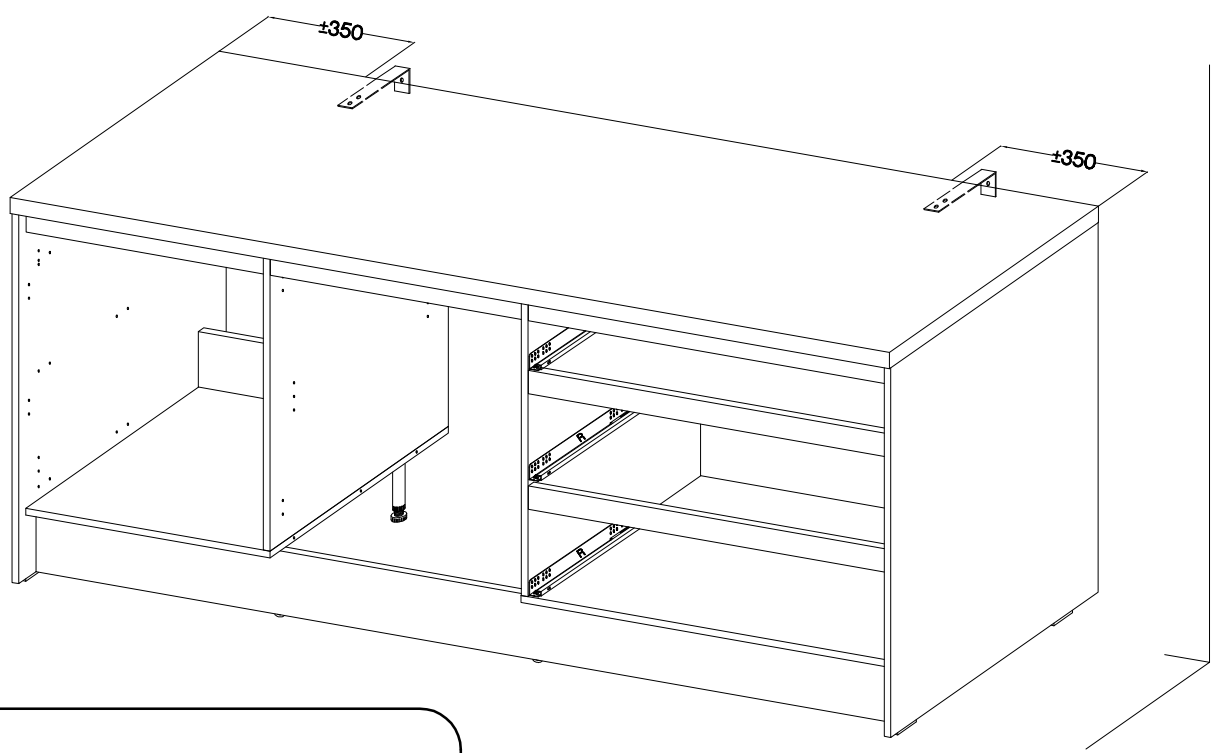
6,4 x 50mm		
		
B	O	E1
3	1	3

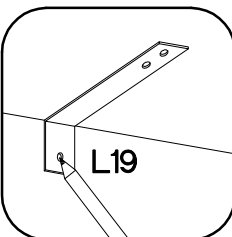
6,4 x 50mm		
		
B	O	E1
2	1	2

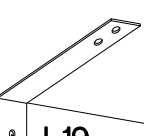
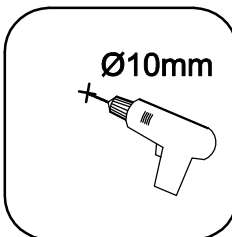


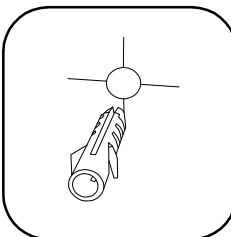
#3.5x13mm	
	
P5	T10
24	6

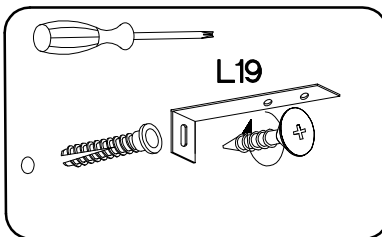
	$\pm 3.5 \times 13 \text{mm}$ 
L19	P5
2	4

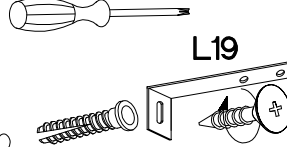
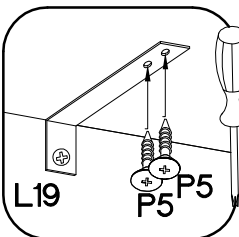


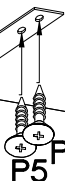
- 

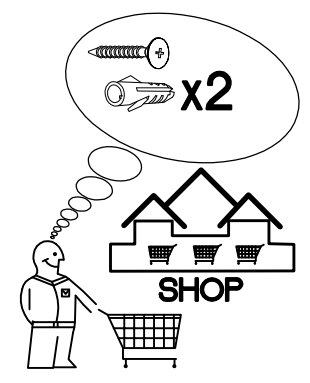
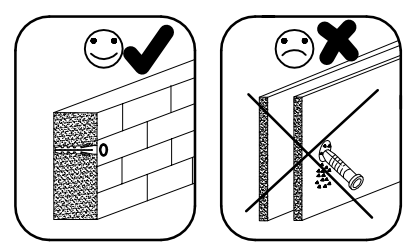
1.  L19
- 

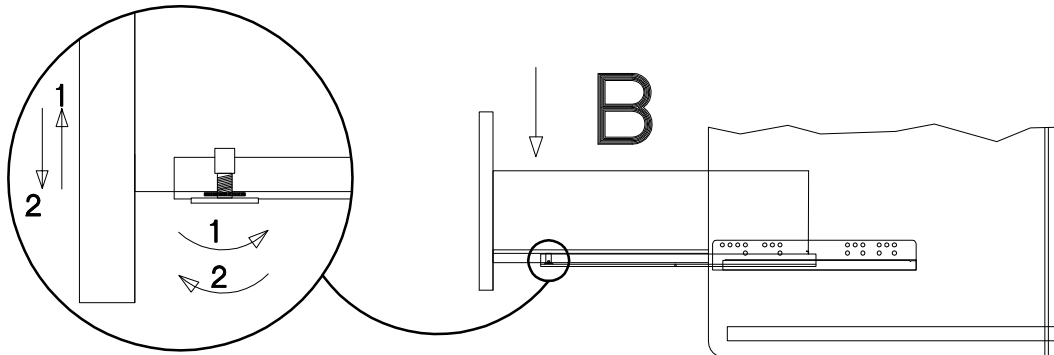
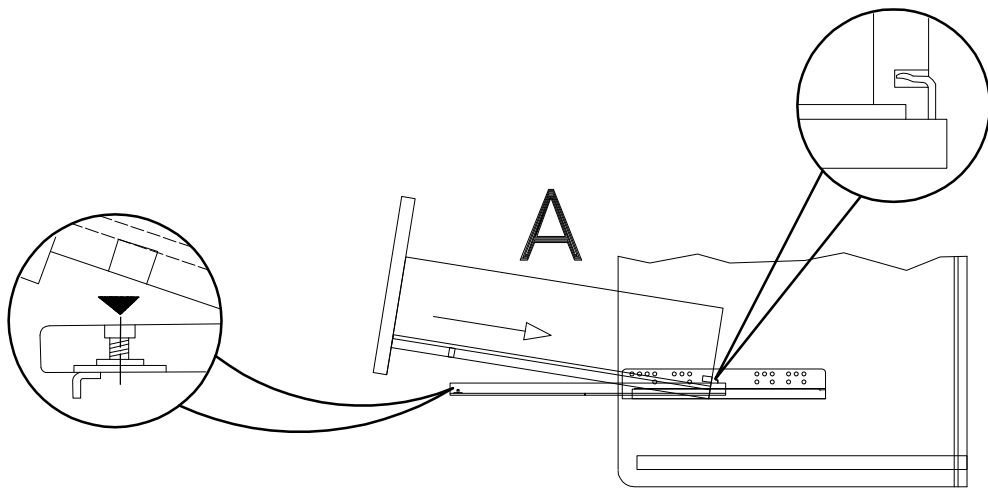
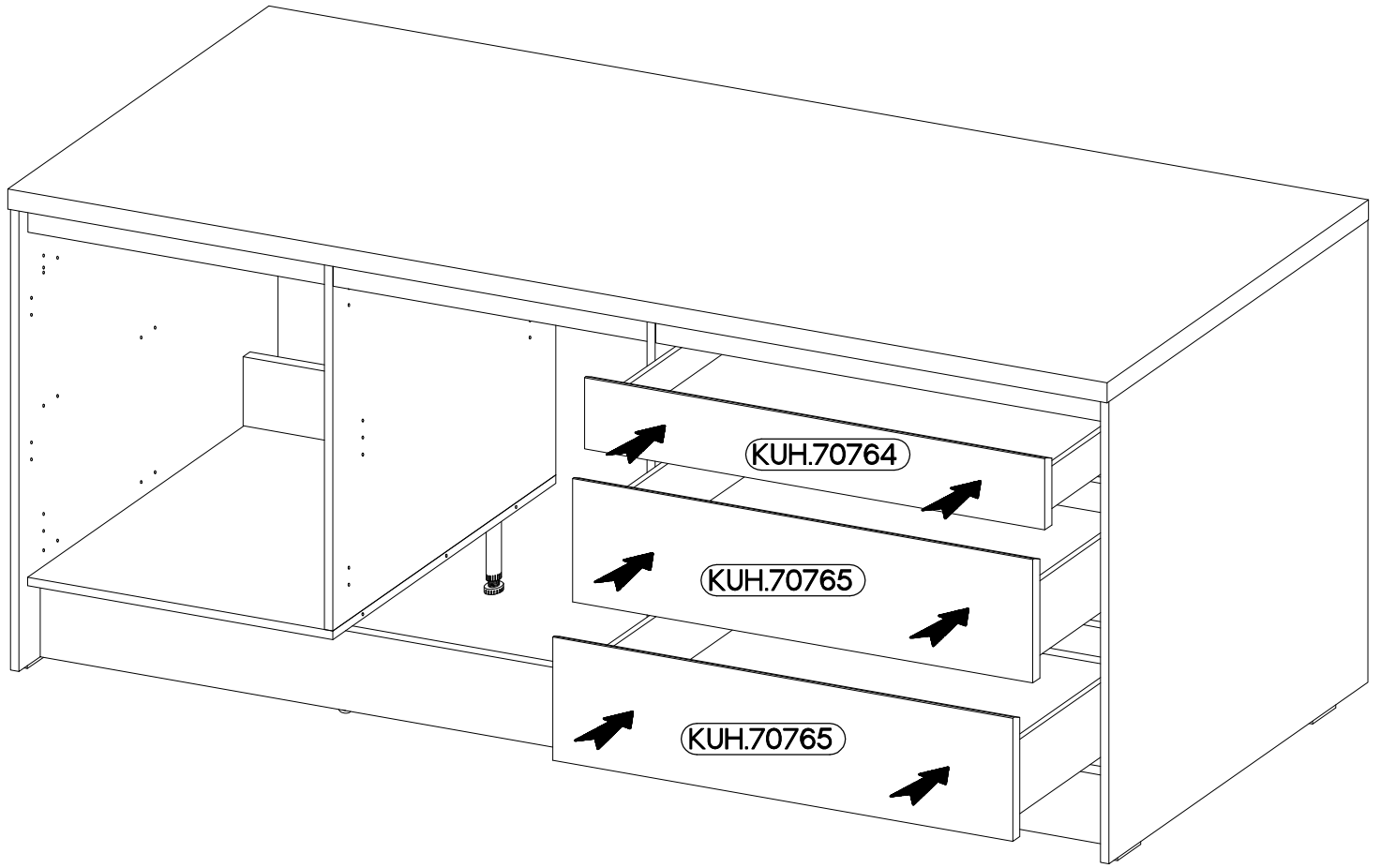
2. $\text{Ø}10\text{mm}$
- 

3.
- 



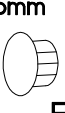

4.  L19
- 

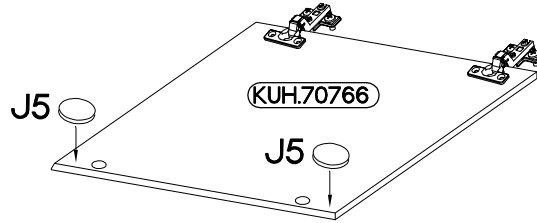
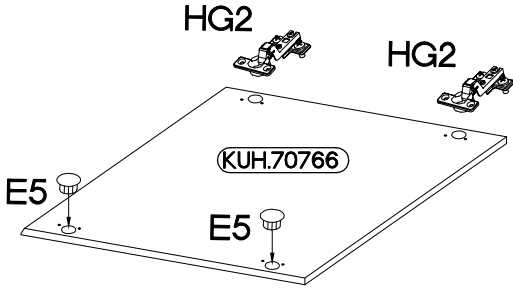
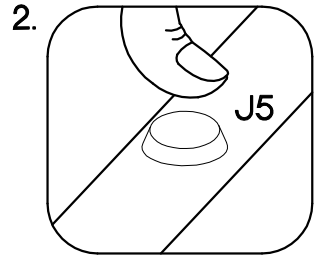
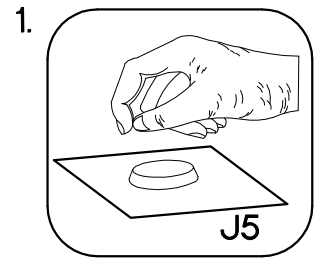
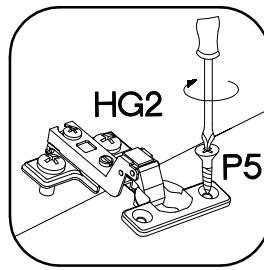
5.  L19 P5 P5





47

 $\pm 35/16\text{mm}$	 $\pm 3.5 \times 13\text{mm}$	 $\pm 35\text{mm}$	
HG2	P5	E5	J5
2	4	2	2



48

