

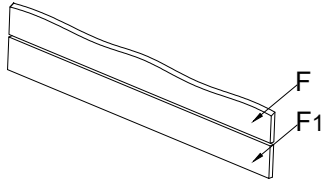
Servicekarte / Service card

Modelname / Model name: **Bett/Bed BE-0850**

Ausführung / Version: **Wildeiche / Wild oak**

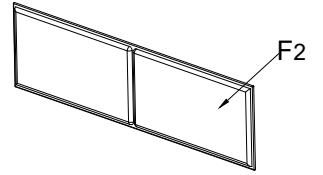
140x200

Model-Nr. / Model No.:
1017346



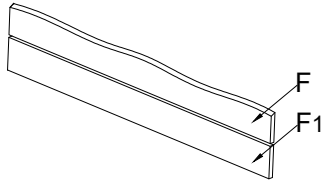
140x200

Model-Nr. / Model No.:
1017350



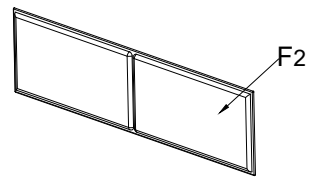
160x200

Model-Nr. / Model No.:
1017347



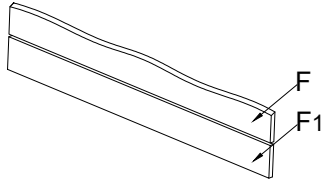
160x200

Model-Nr. / Model No.:
1017351



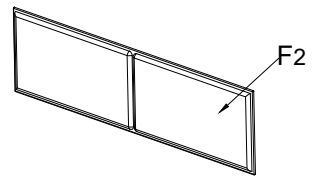
180x200

Model-Nr. / Model No.:
1017348



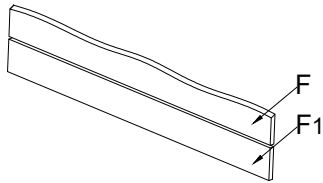
180x200

Model-Nr. / Model No.:
1017352



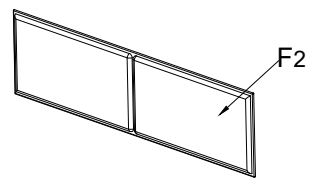
200x200

Model-Nr. / Model No.:
1017349

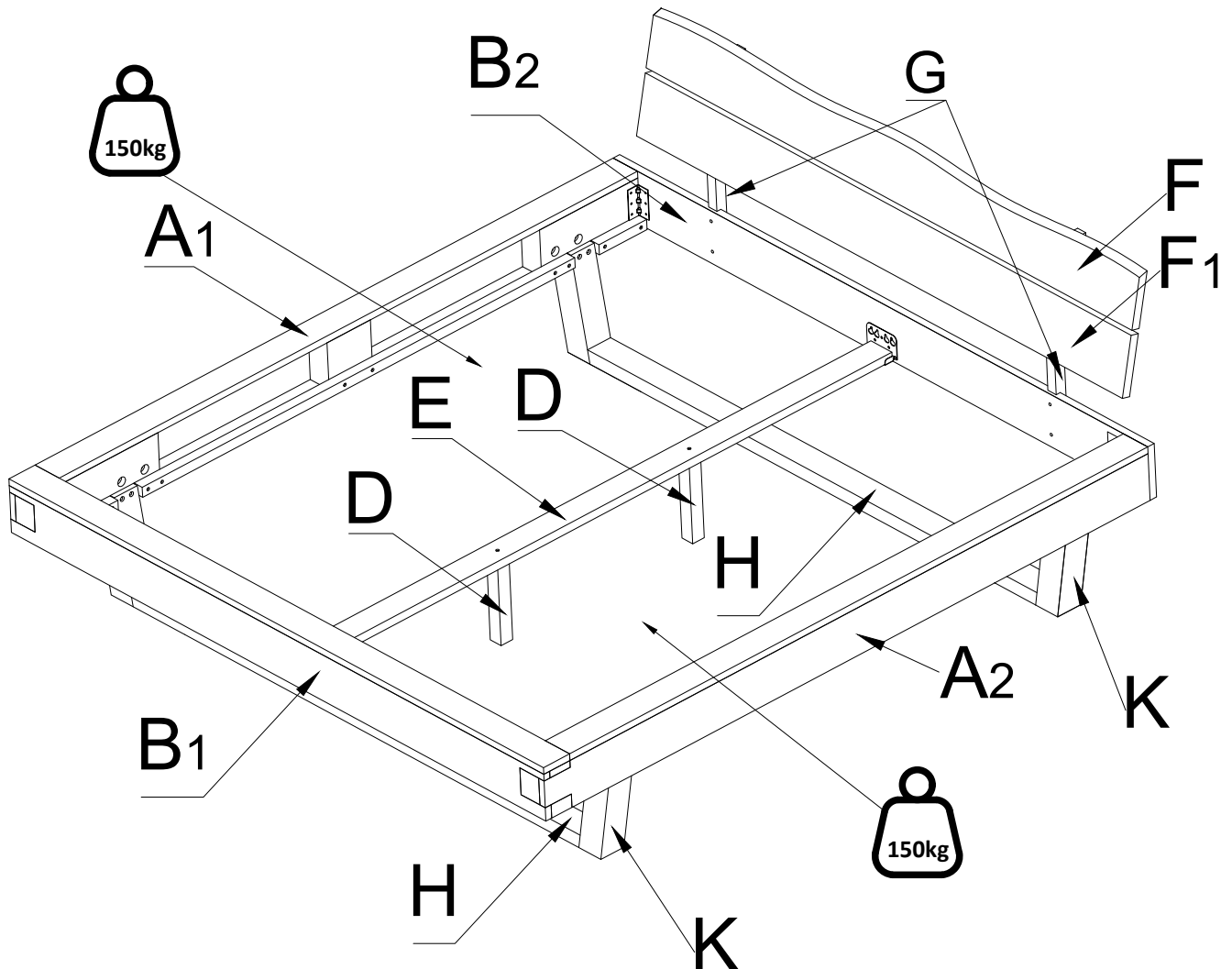


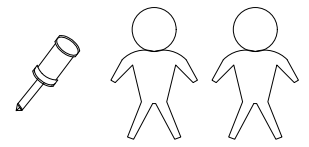
200x200

Model-Nr. / Model No.:
1017353

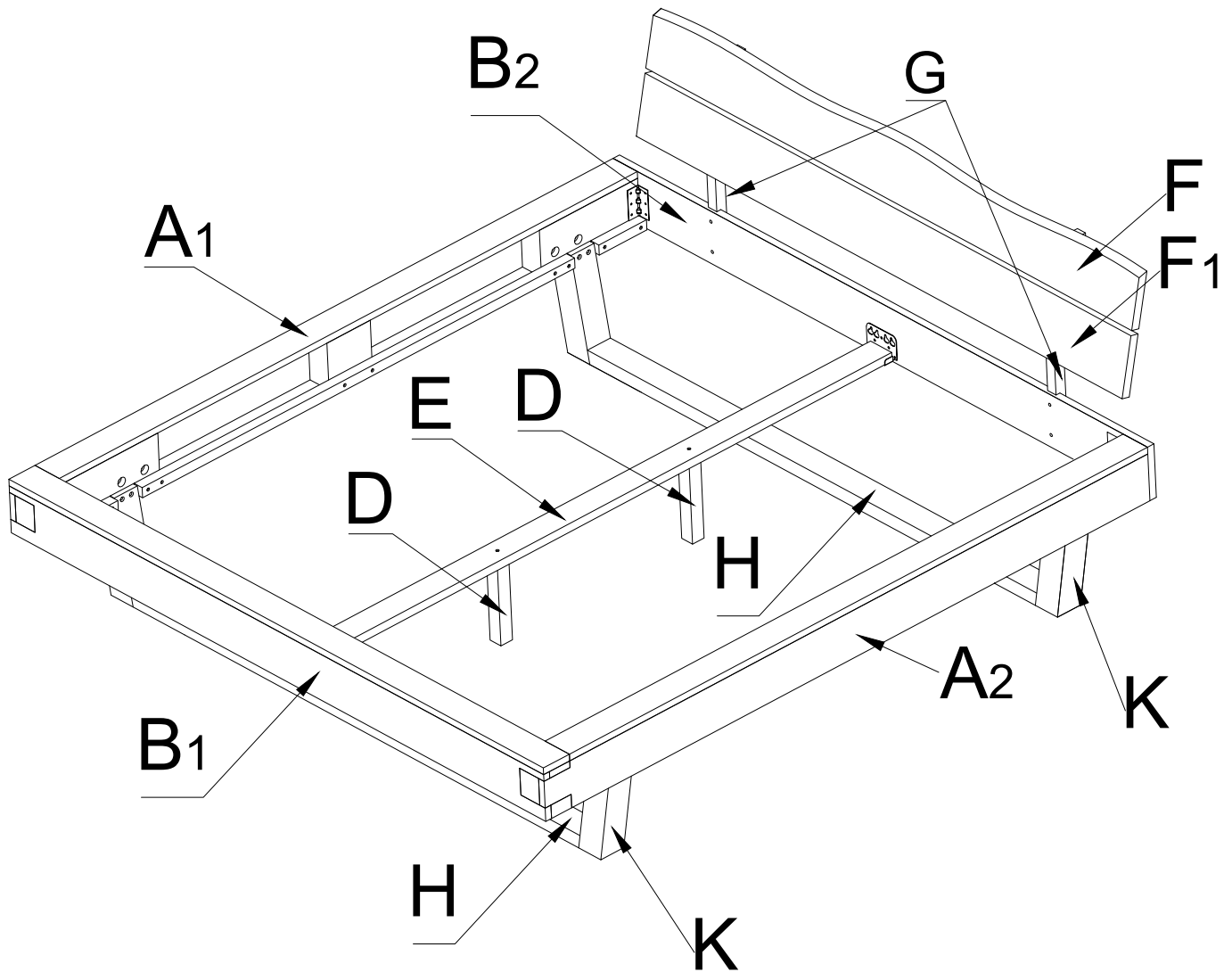


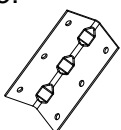
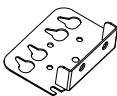
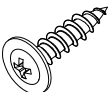

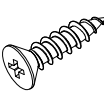
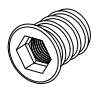
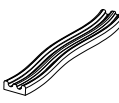

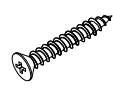
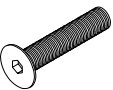
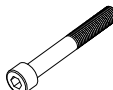

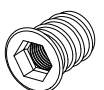
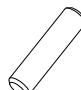
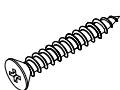


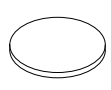
70104

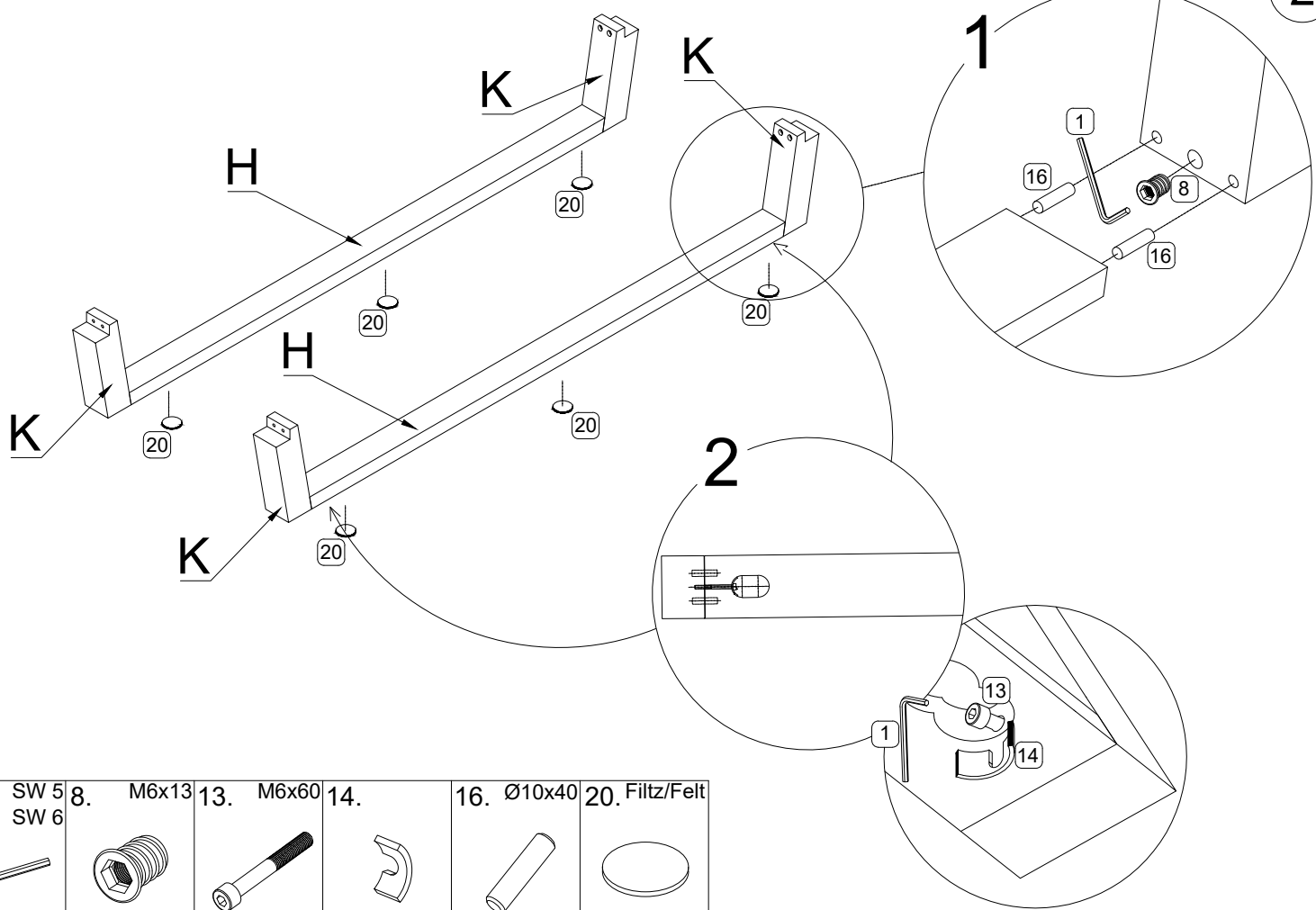



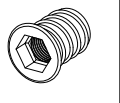


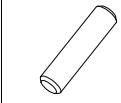
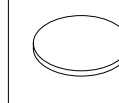


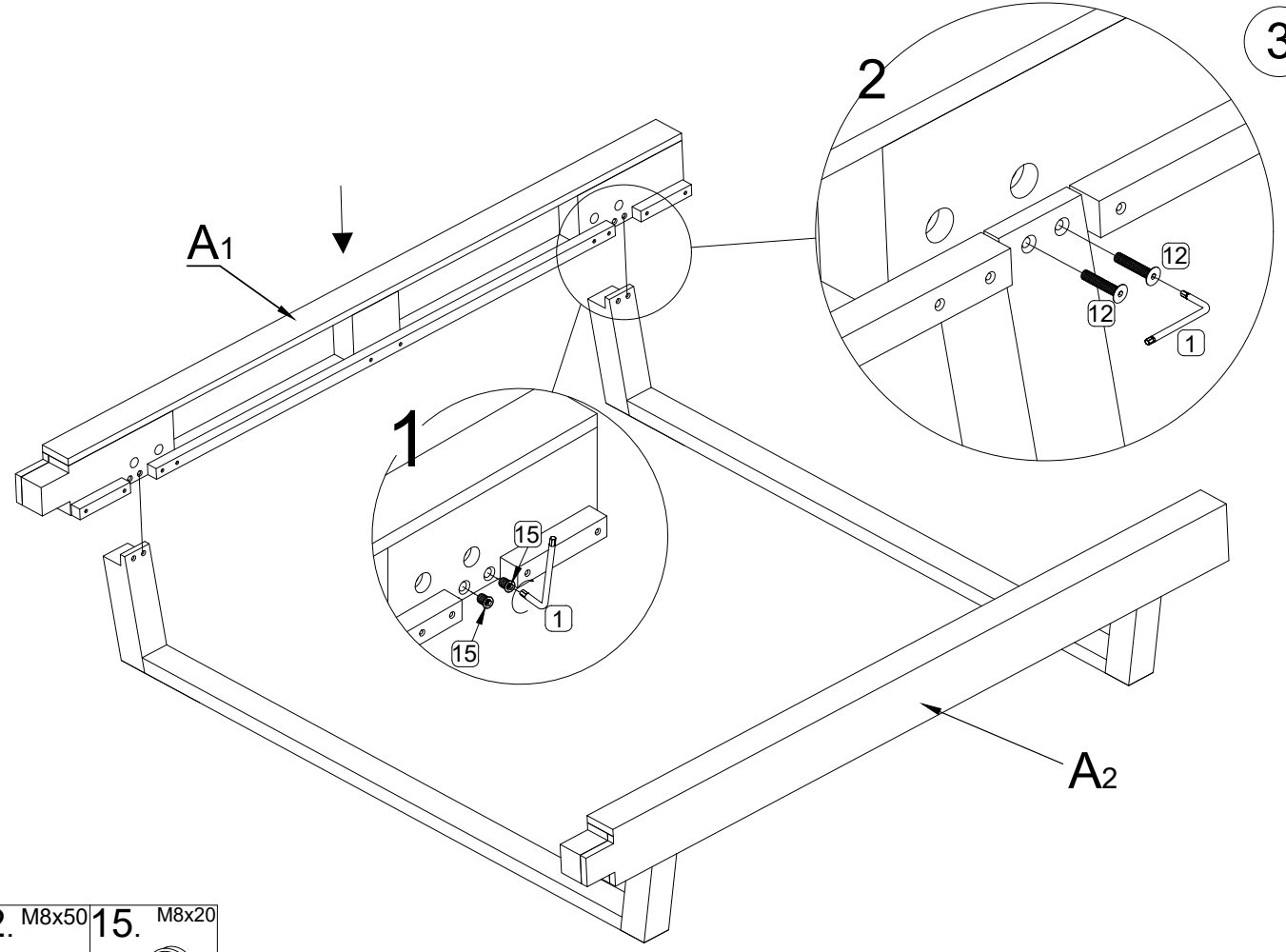
90 Minuten


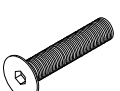
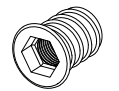


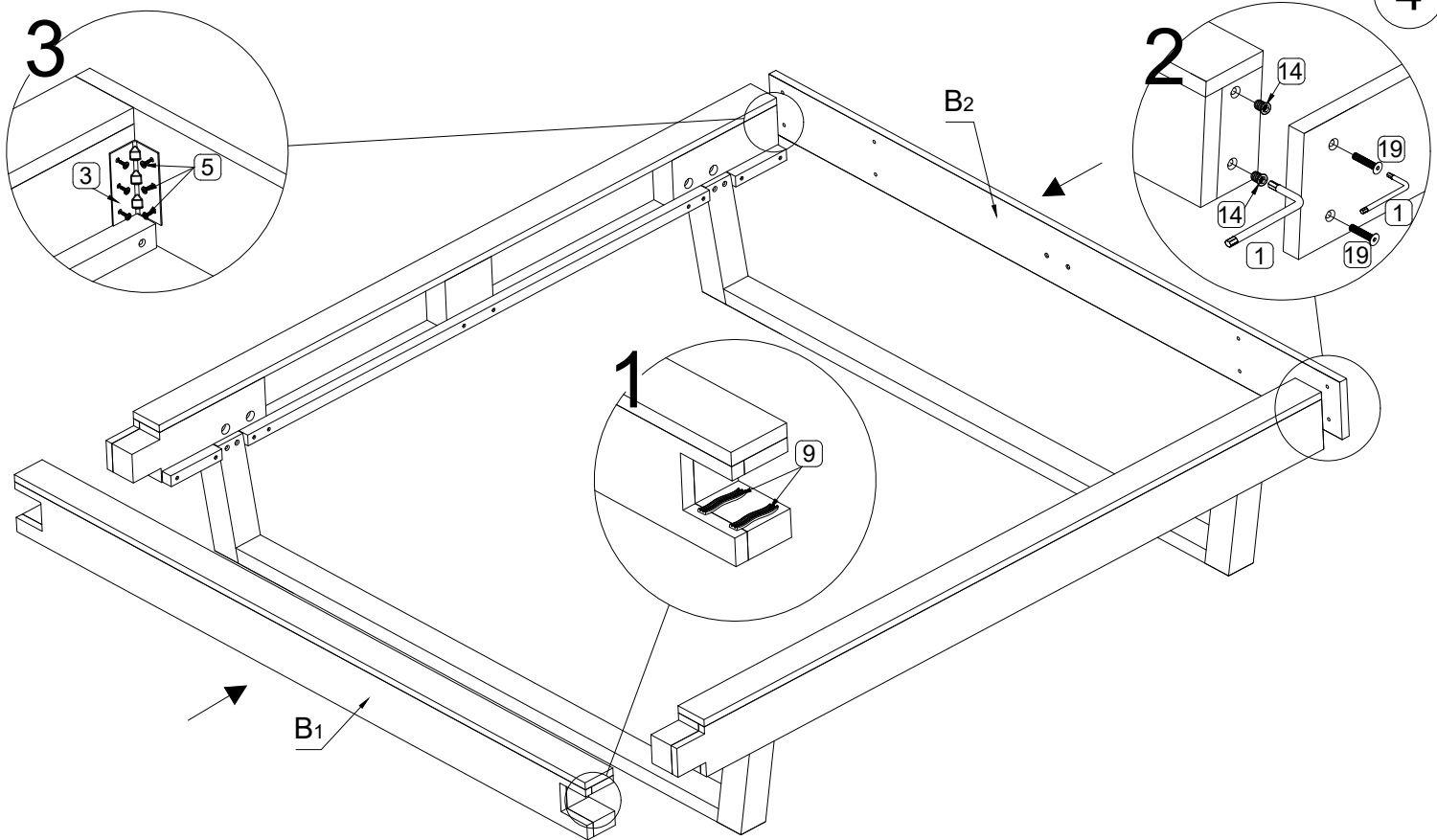
1. SW 4 SW 5 SW 6 SW 8 x4	2. OK13 x1	3.  x4	4.  x2	5. 4,2x19  x24	6. M6x15  x4	7. 4x20  x16	8. M6x13  x8	9.  x8	10. M8x30  x2	11. 4x50  x2	12. M8x50  x12	13. M6x60  x4	14.  x4	15. M8x20  x12	16. Ø10x40  x8	17. 5x50  x8	18. M6x55  x4	19. M6x55  x8	20. Filtz/Felt  x6
---------------------------------------	---------------	--	--	---	---	---	---	--	--	---	---	--	---	---	---	---	--	--	---


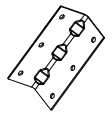
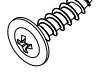
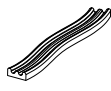




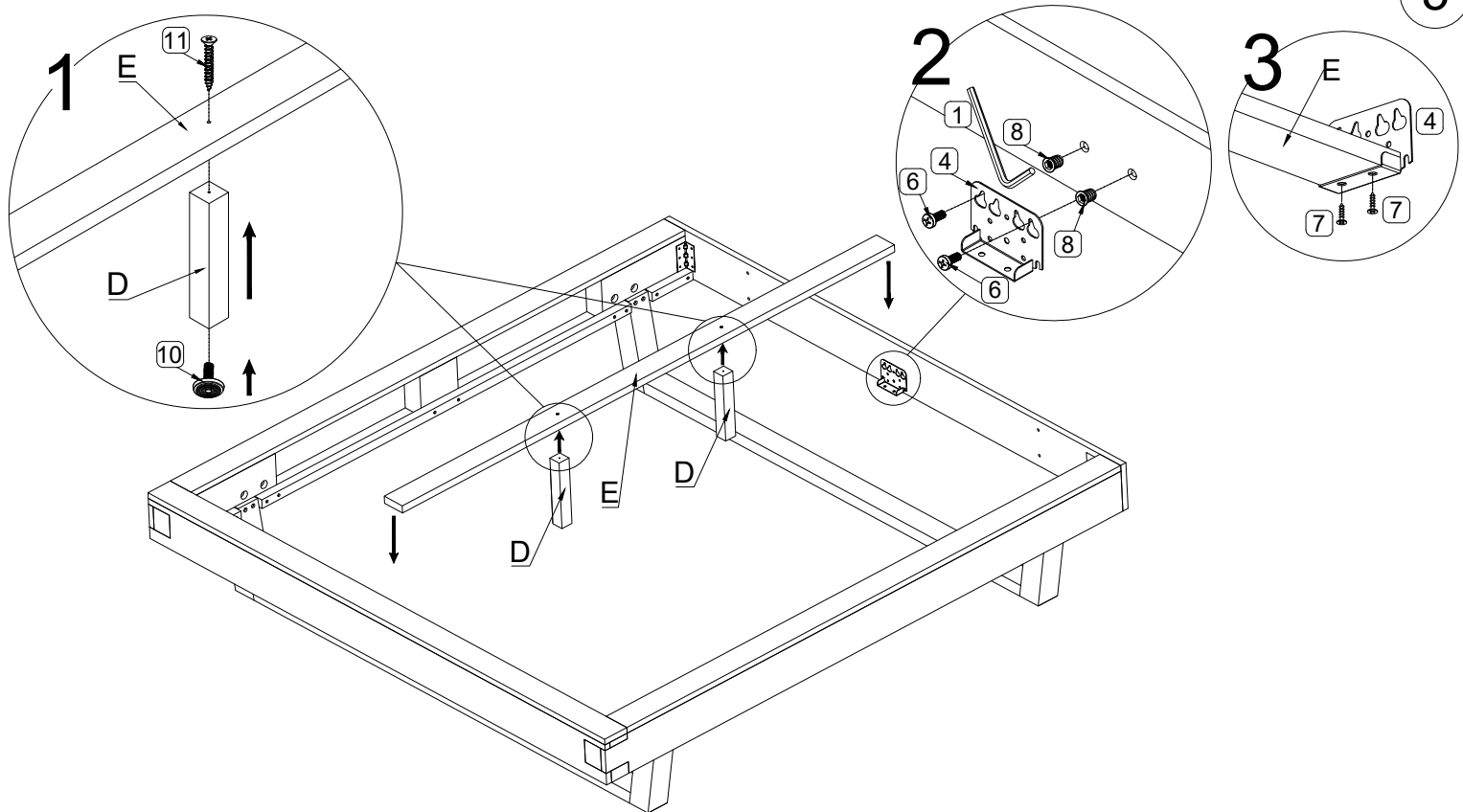
1. SW 5 SW 6	8. M6x13	13. M6x60	14.	16. Ø10x40	20. Filtz/Felt
					
x2	x4	x4	x4	x8	x6


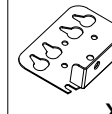
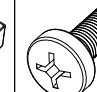
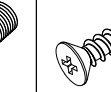
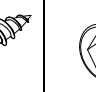
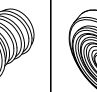
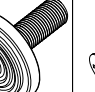


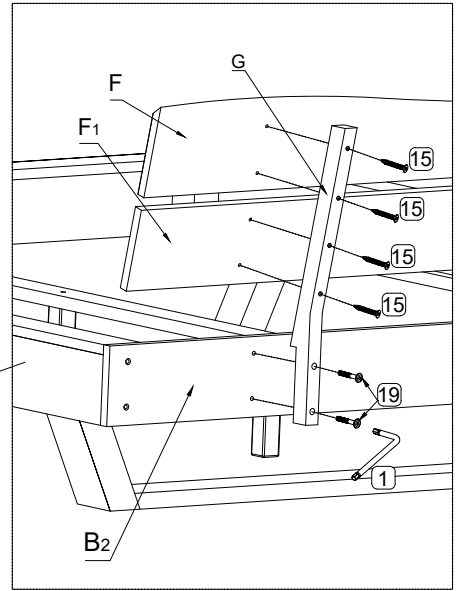
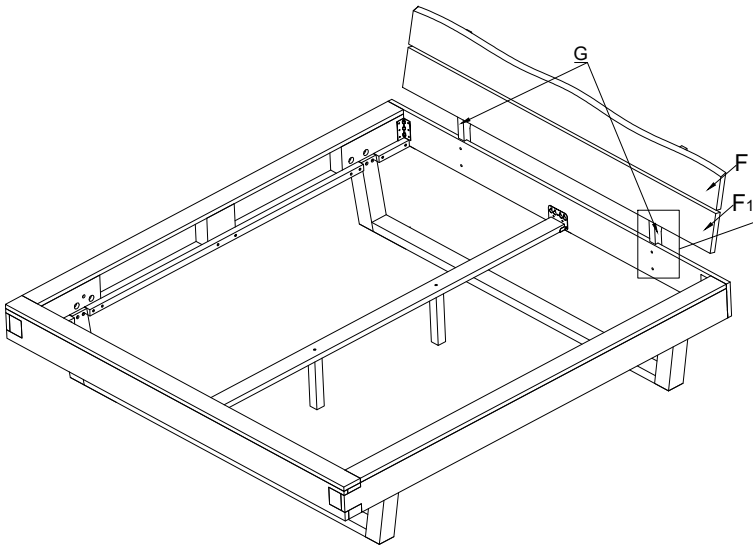
1. SW 5 SW 6	12. M8x50	15. M8x20
		
x1	x8	x8


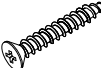



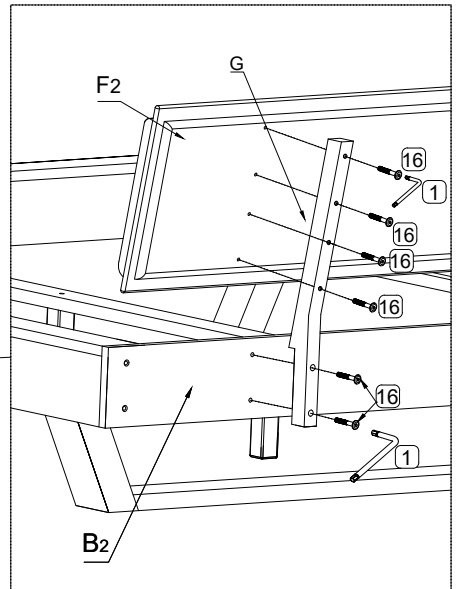
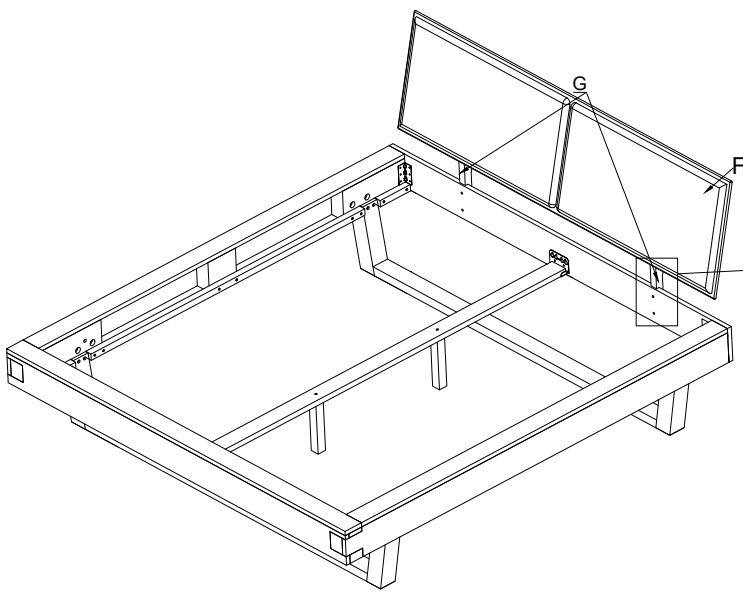
1. SW 5 SW 8	3.	5. 4,2x19	9.	12. M8x50	15. M8x20
					
x2	x4	x24	x8	x4	x4





1. SW 6	4.	6. M6x15	7. 4x20	8. M6x13	10. M8x30	11. 4x50
						
x1	x2	x4	x4	x4	x2	x2



- | | | |
|--|---|---|
| 1. SW 4 | 16. 5x50 | 17. M6x55 |
|  |  |  |
| x1 | x8 | x4 |



- | | |
|--|---|
| 1. SW 4 | 16. M6x55 |
|  |  |
| x1 | x4 |