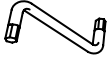


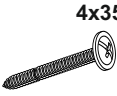





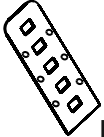

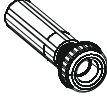

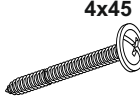



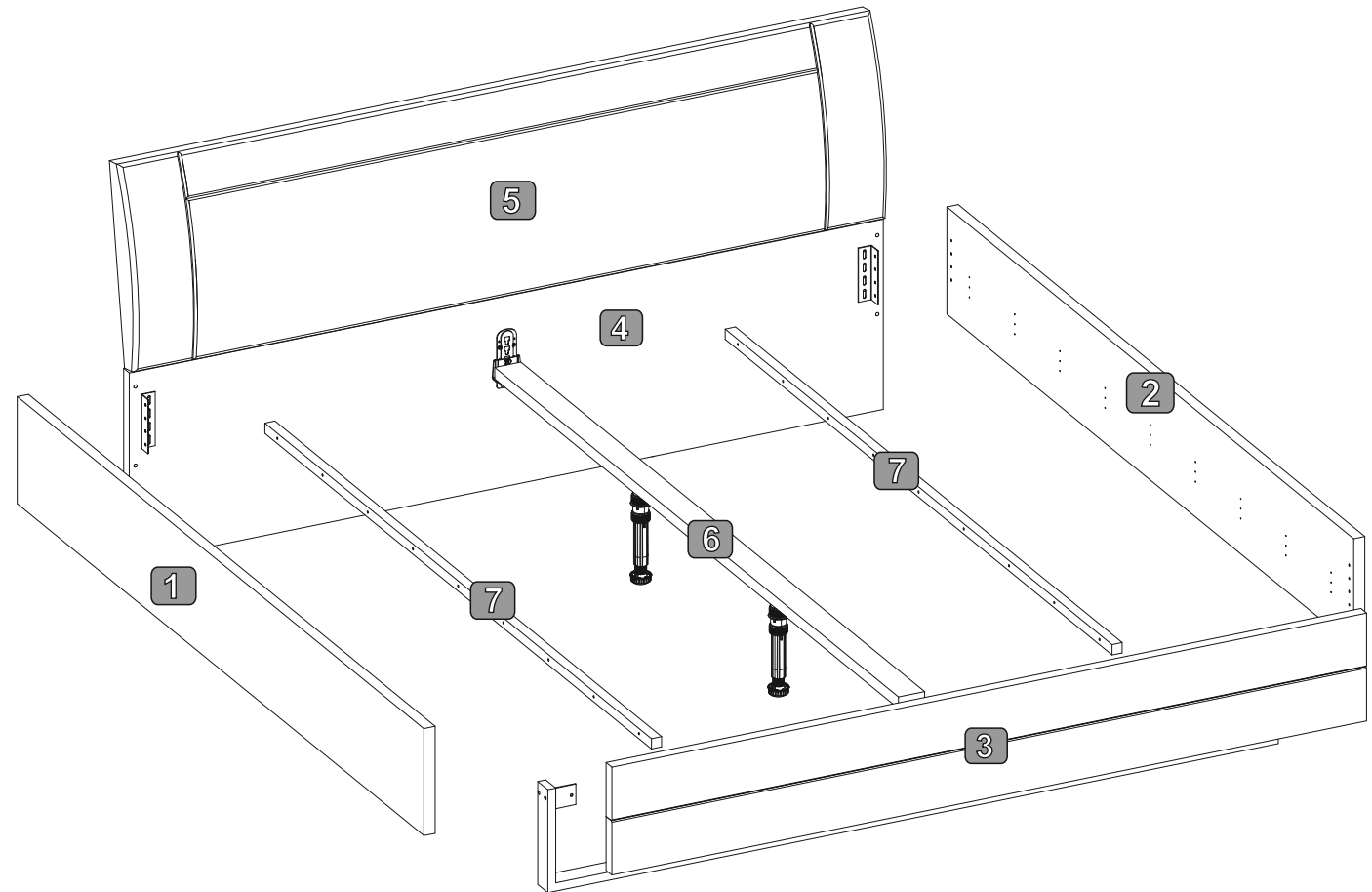
 4x W70	 1x K01	 4x S01	 8x G10	 8x W15	 1x N01	 4x L03	 4x W40	 34x W29
 2x L02	 2x L02	 16x W25	 2x NOG	 4x REG	 18x W17	 3x N02	 12x W36	 12x W28


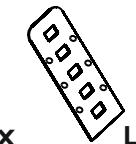

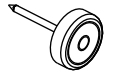
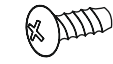
NR	DIM	QTE	COLLI
1	2015x260x28	1	1/3
2	2015x260x28	1	1/3
3	1870x262x28	1	2/3
4	1868x462x28	1	2/3
5	1866x480x80	1	3/3
6	2001x65x28	1	1/3
7	1916x25x25	2	1/3

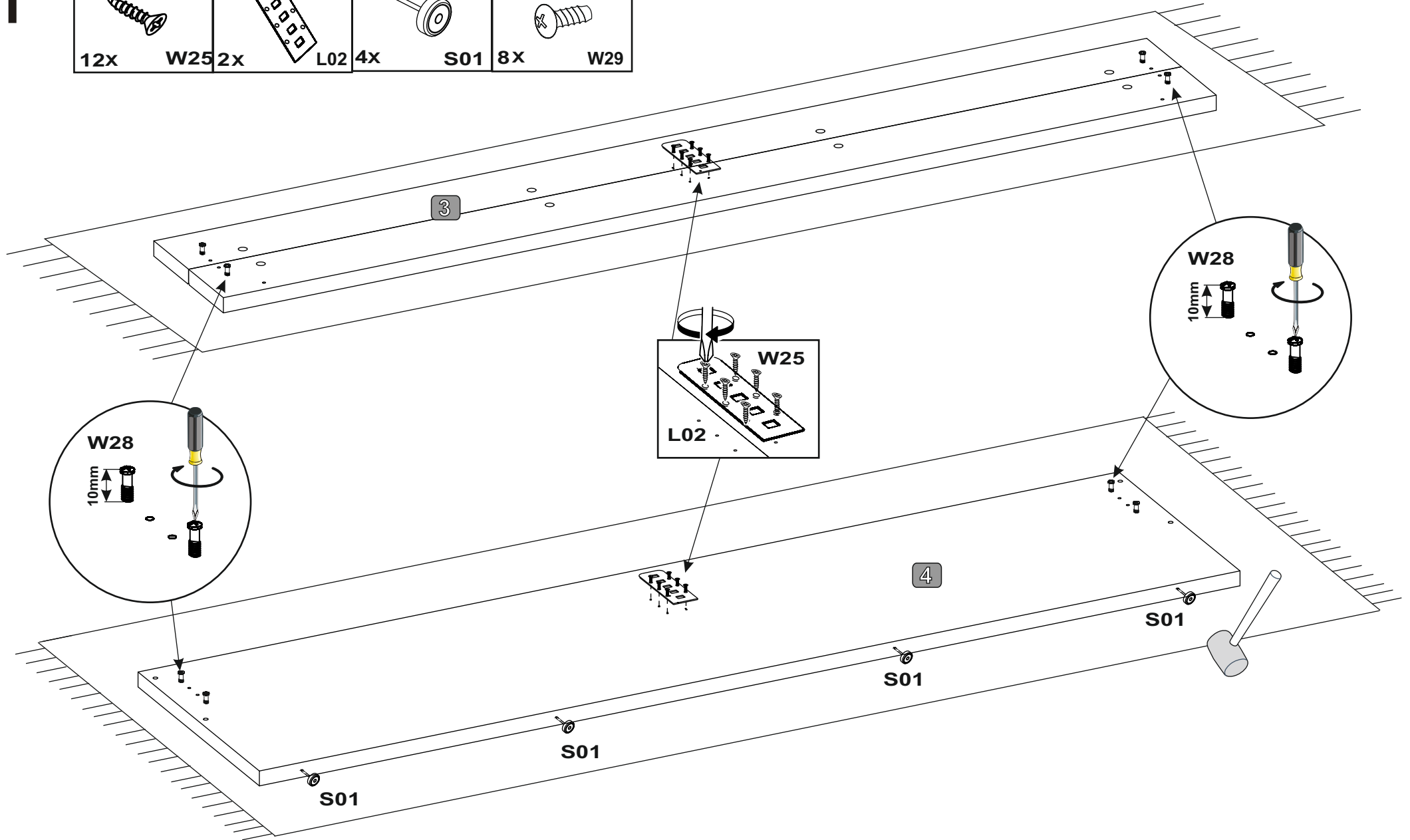


0 10 20 30 40 50 60 70 80 90 100 110 120 130 140 150 160 170 180 190 200



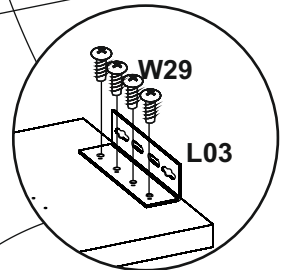
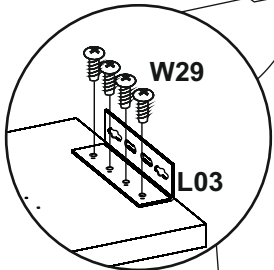
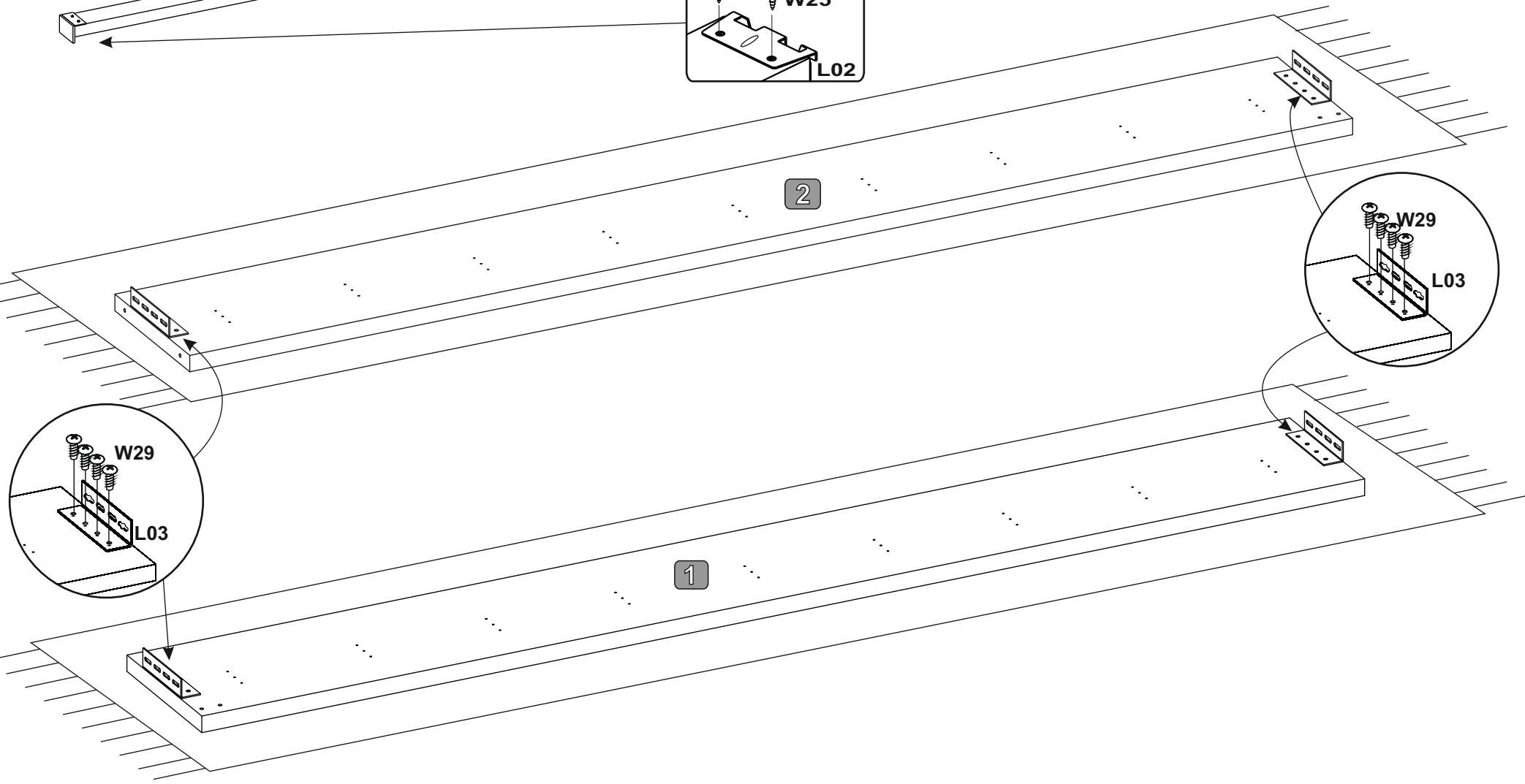
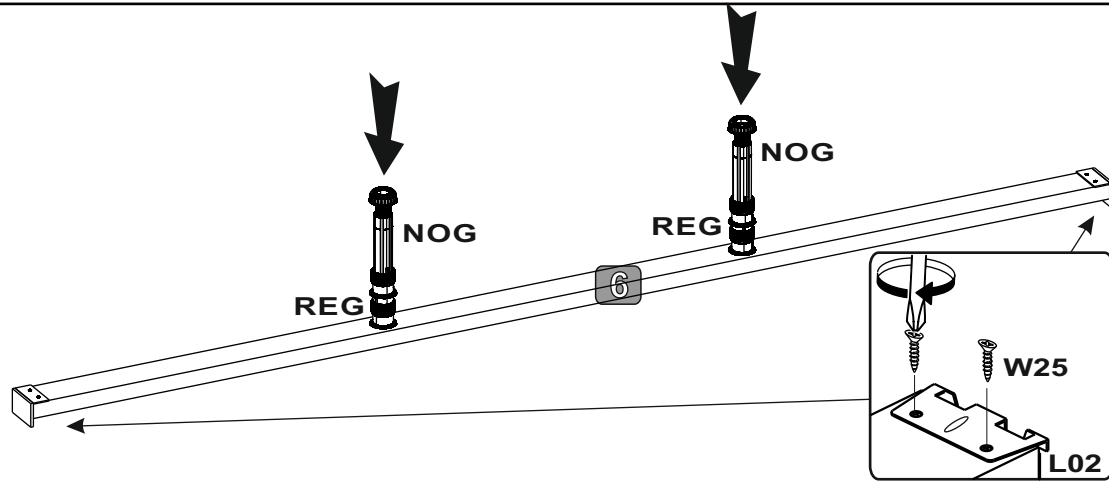
1

 4x16	 W25	 L02	 S01	 6,3x20	8X W29
12X	2X	4X			

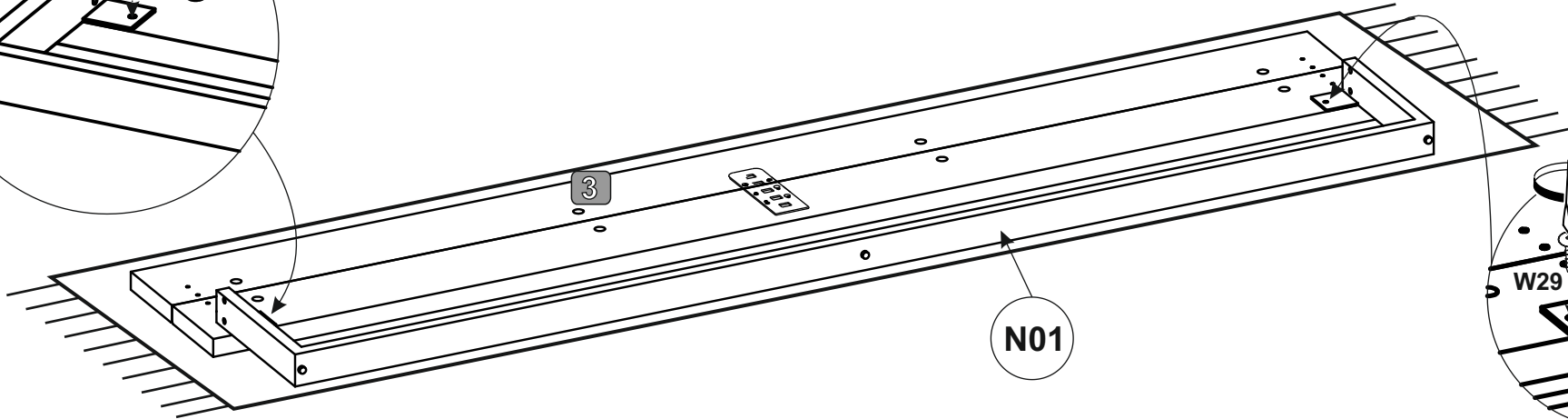
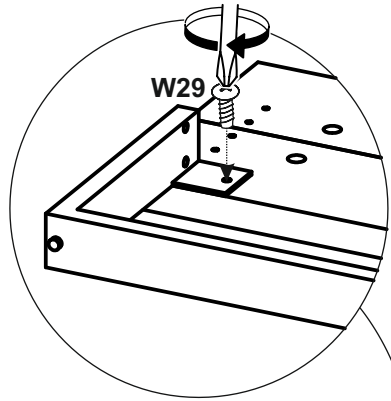



2

2x NOG	4x REG	16x 6,3x20 W29	4x L03
		2x L02	4x 4x16 W25

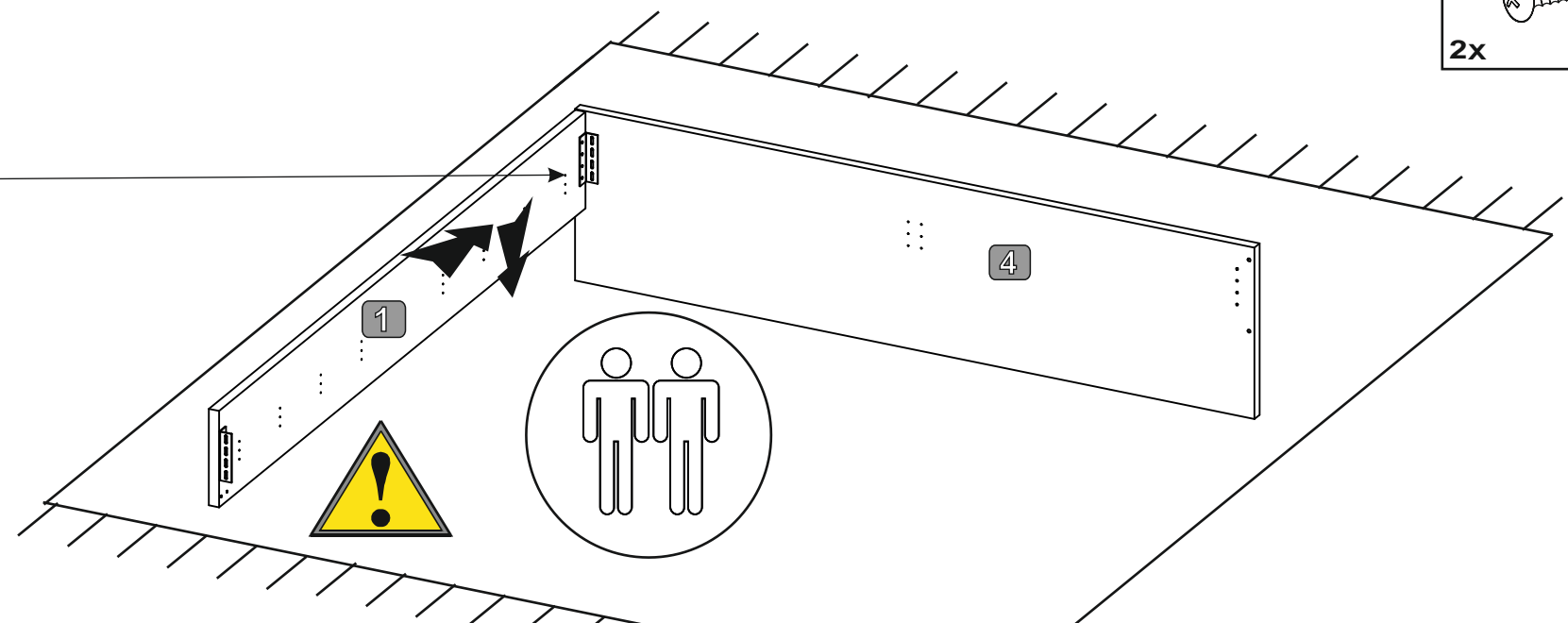
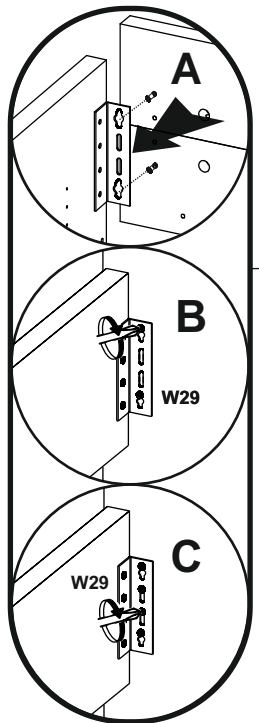



3



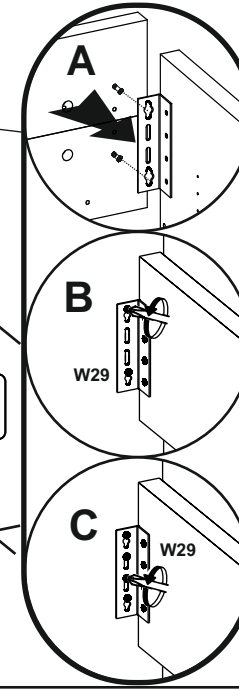
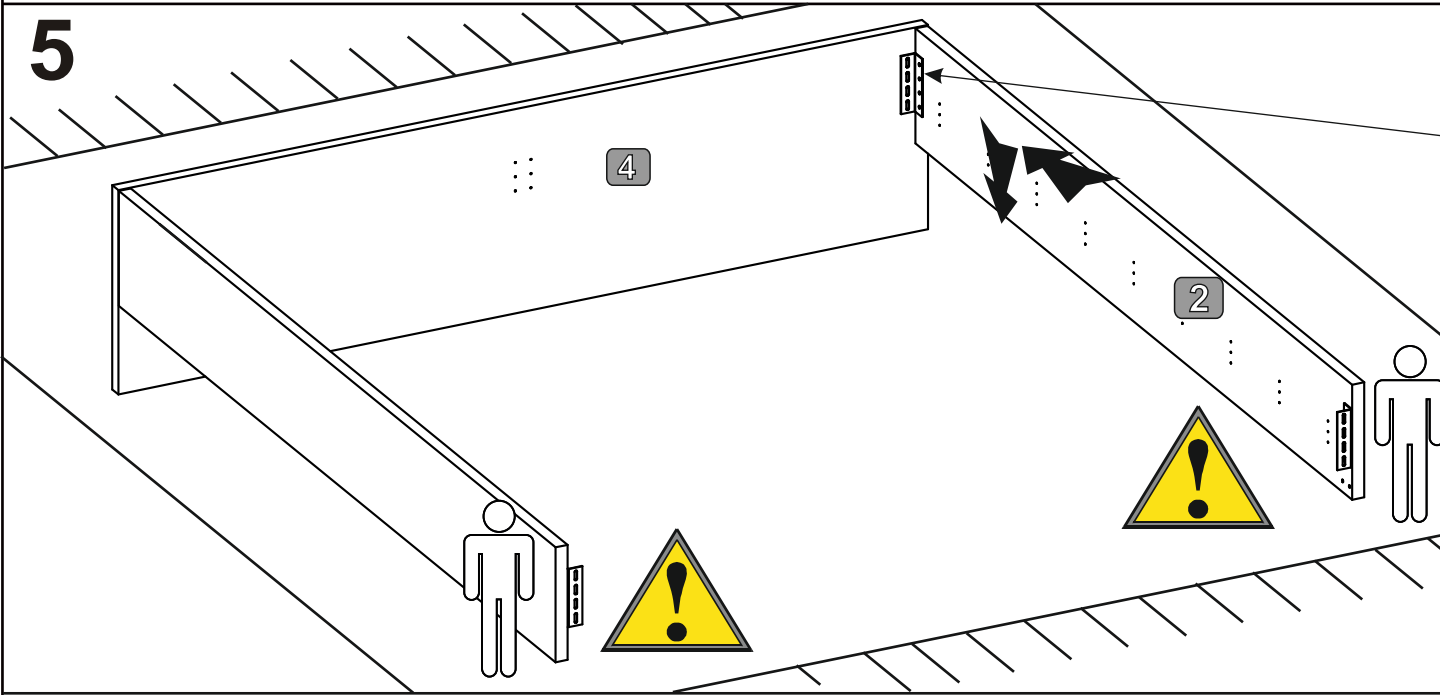
	6,3x20		
1x	N01	2x	W29

4



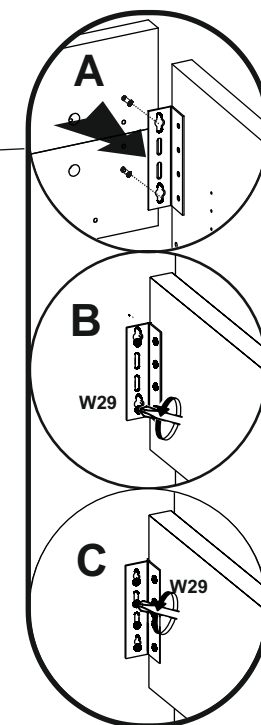
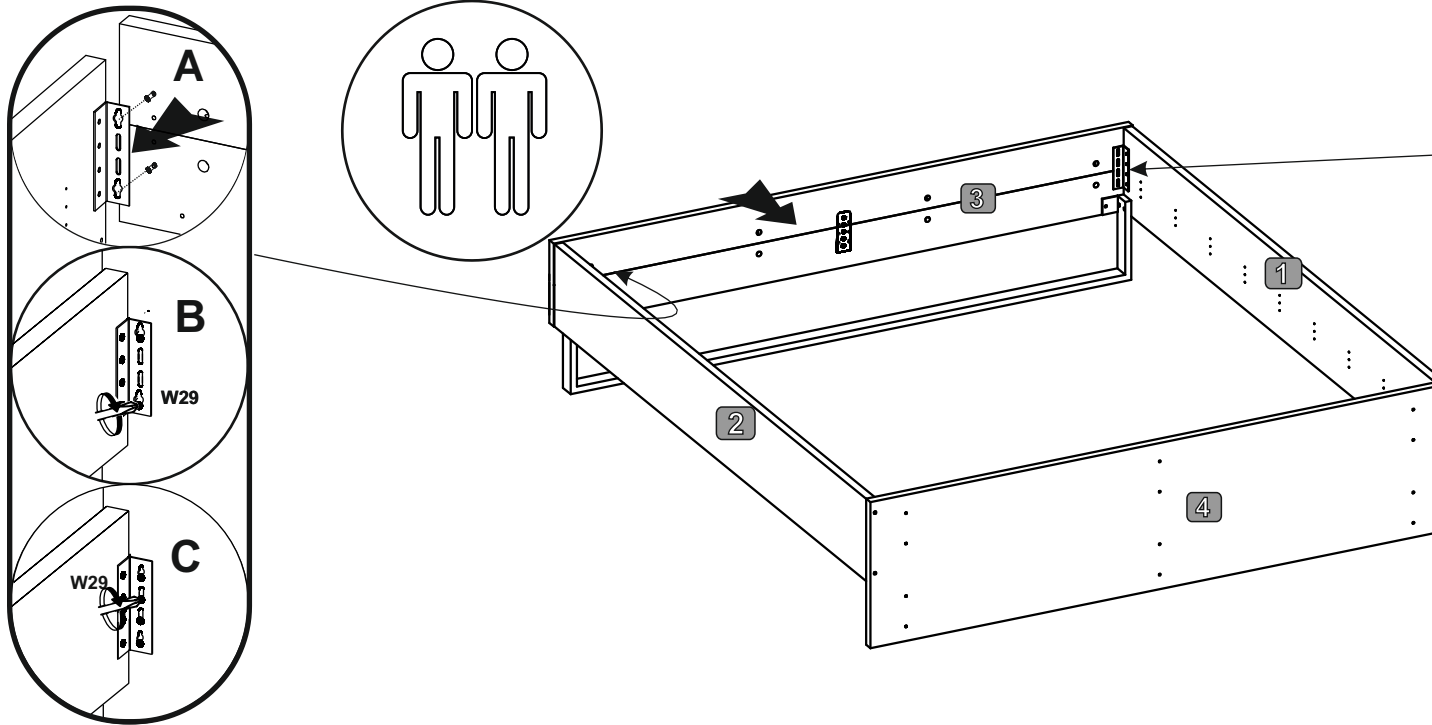
	6,3x20
2x	W29

5







6,3x20
2x W29

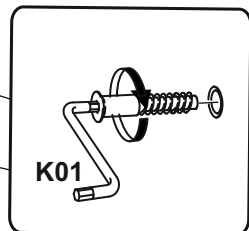
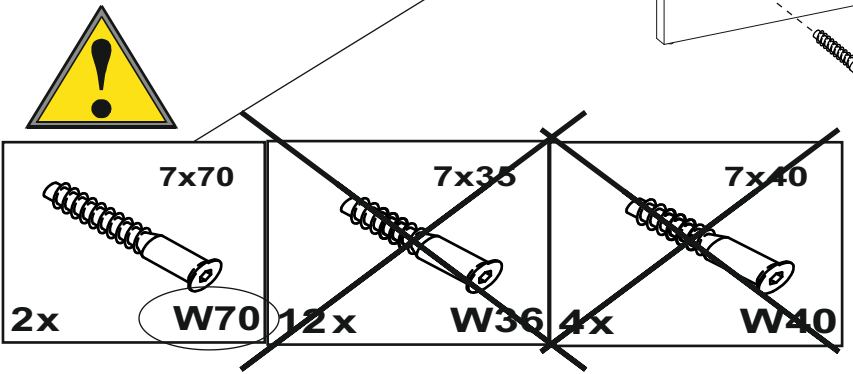
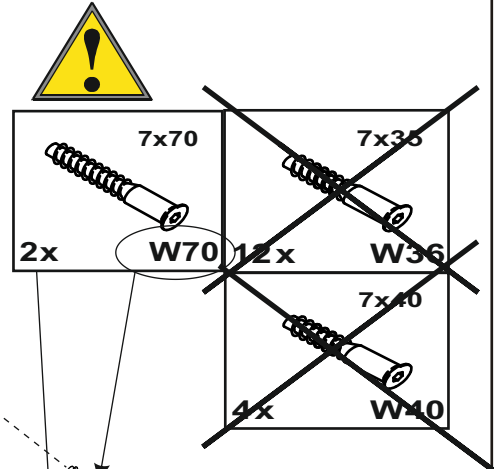
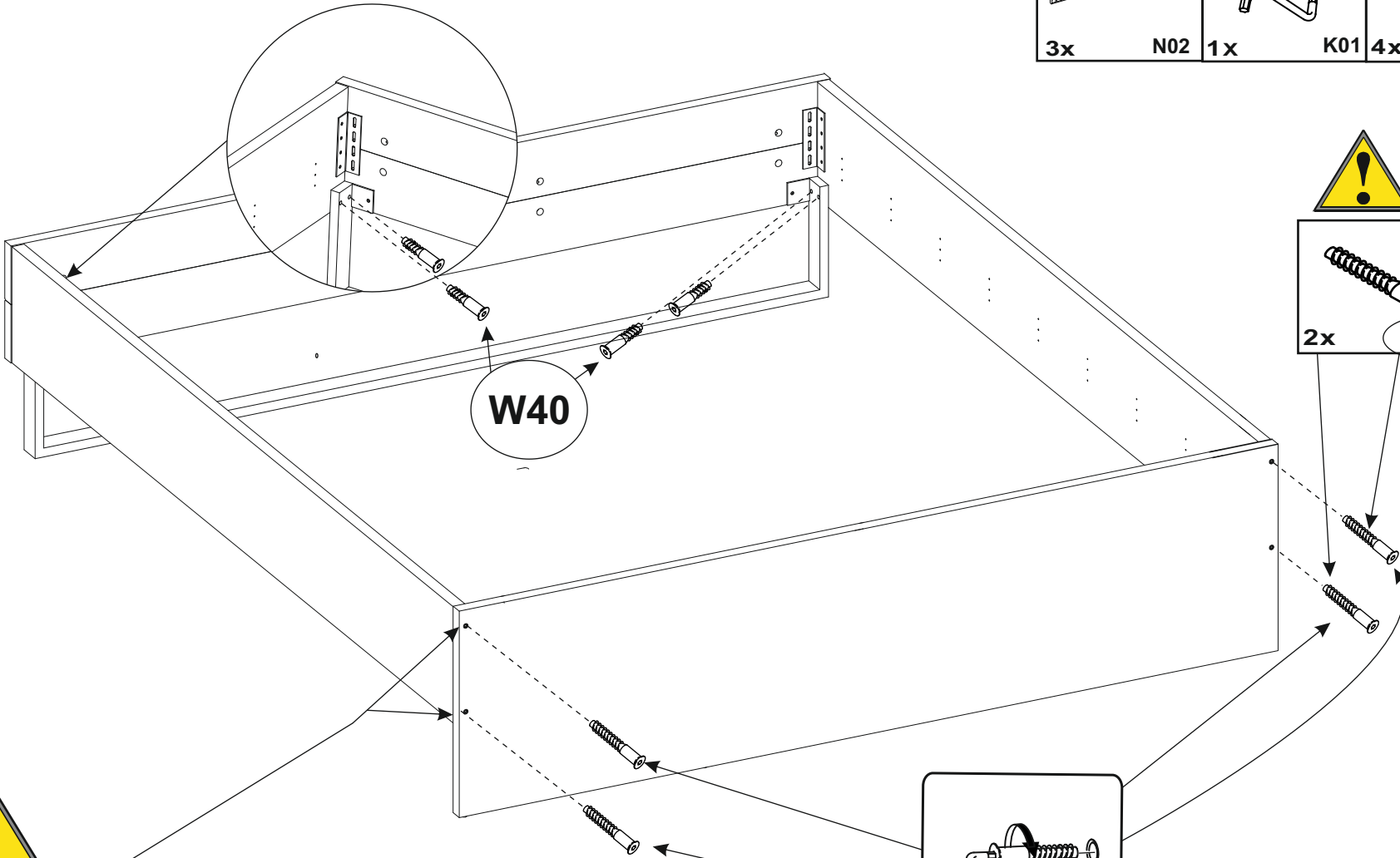
6



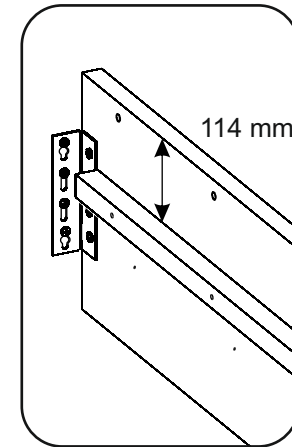
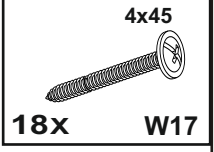
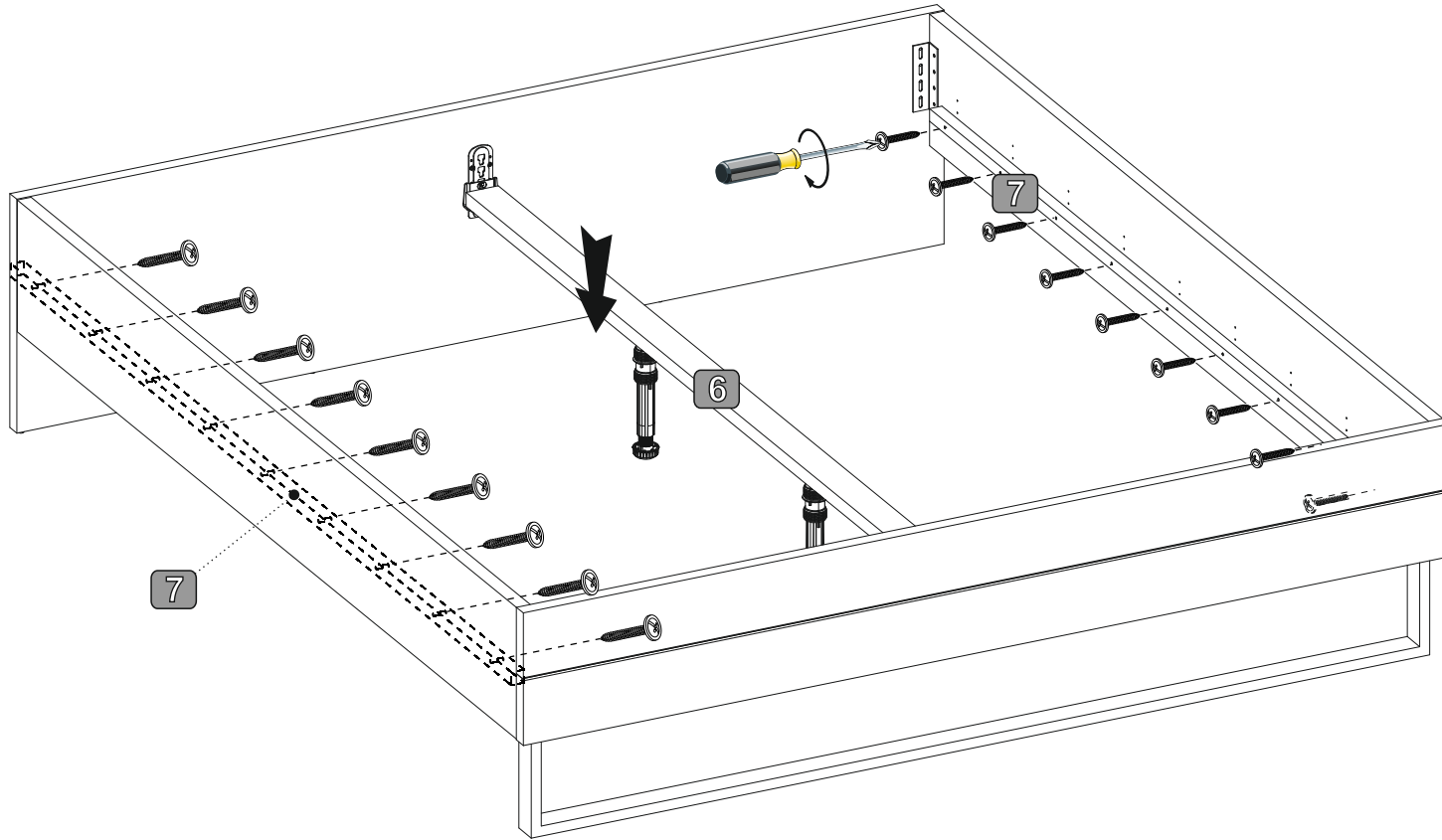
6,3x20
4x W29

7

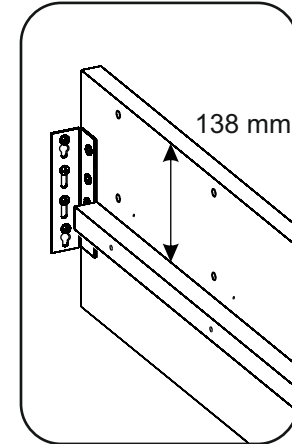
 3x N02	 1x K01	 4x W40	 4x W70
---	---	---	---



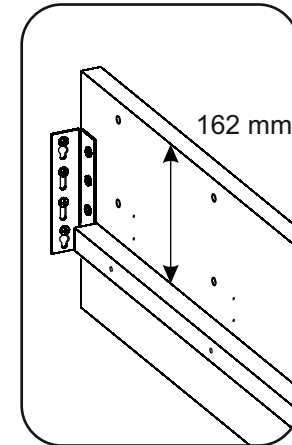
8



V. A

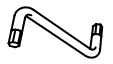




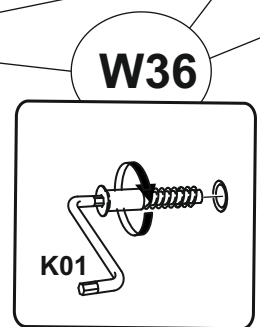
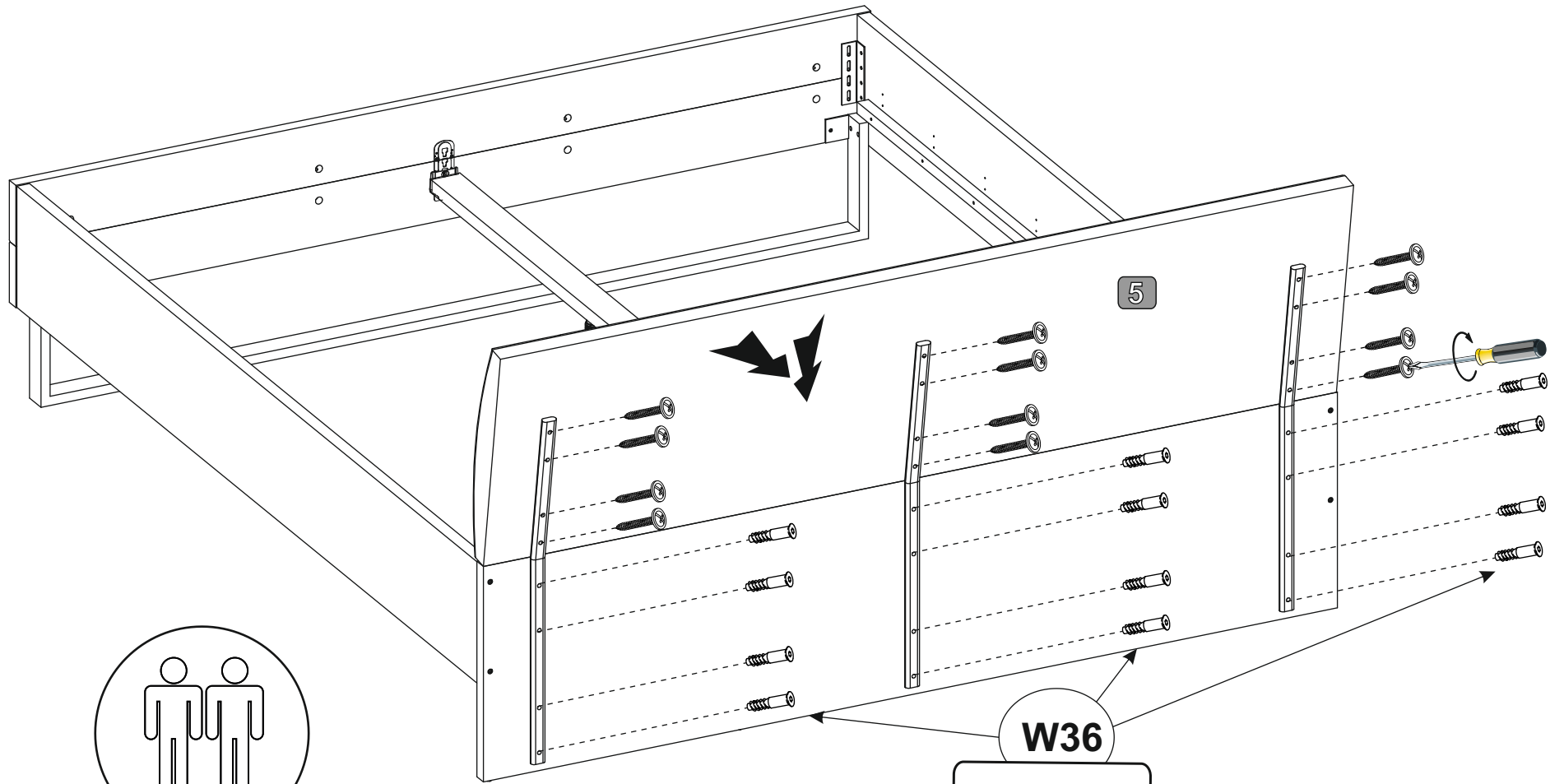
V. B



V. C

9

 1x	 7x35 12x W36	 4x40 12x W28
---	--	--



10

