

27980330/01

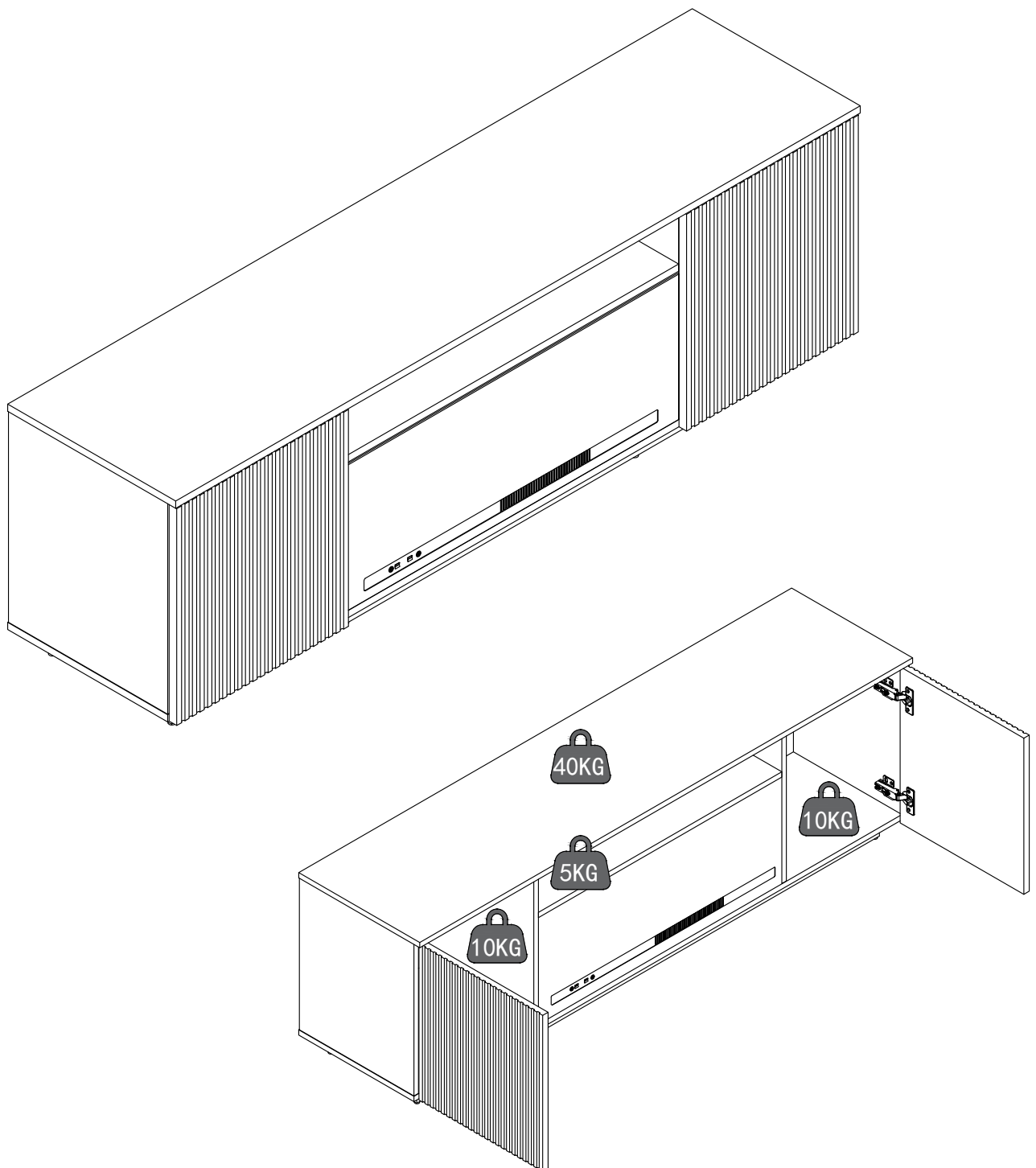
BURNEY

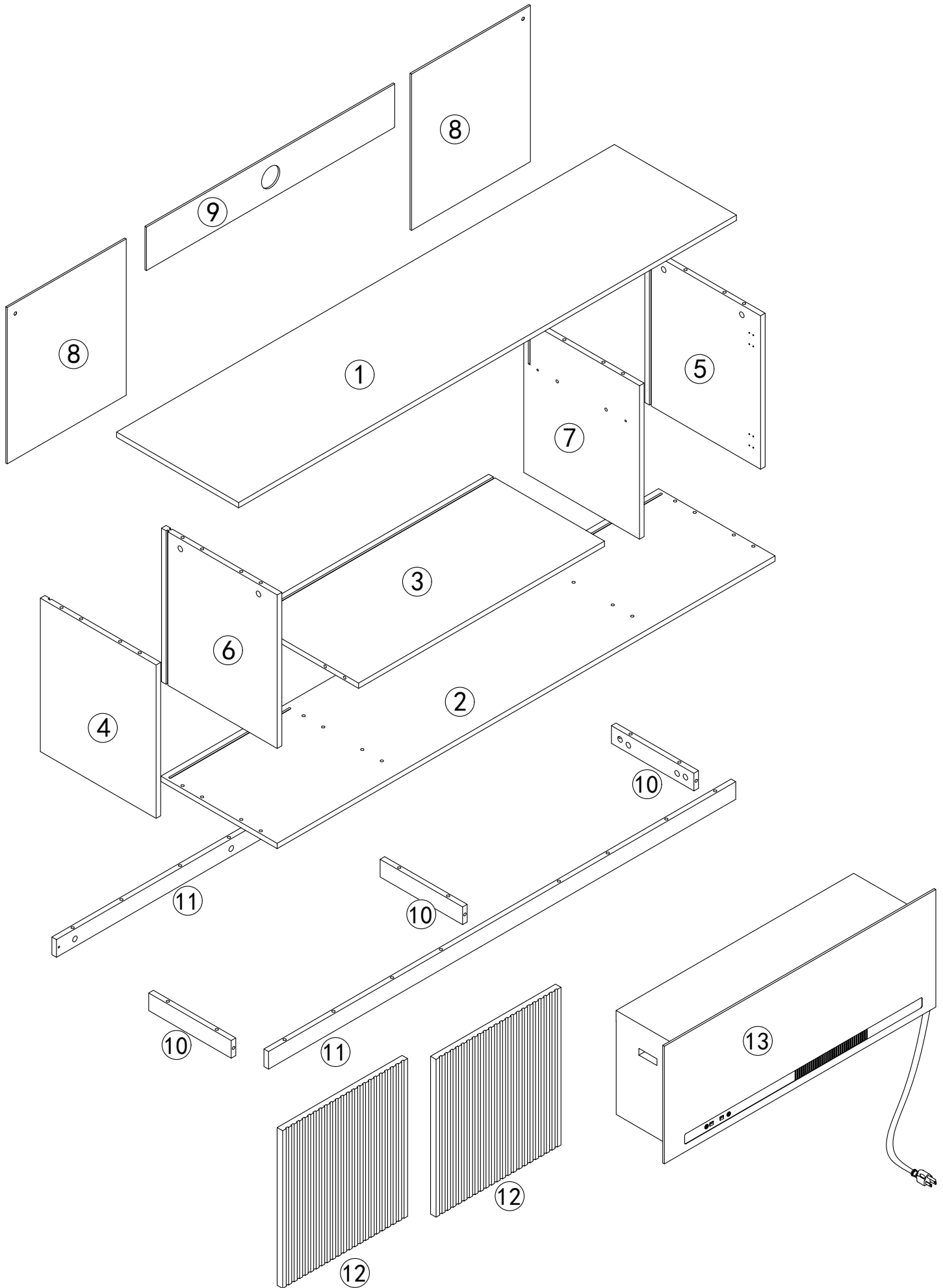
BDSK Handels GmbH & Co. KG

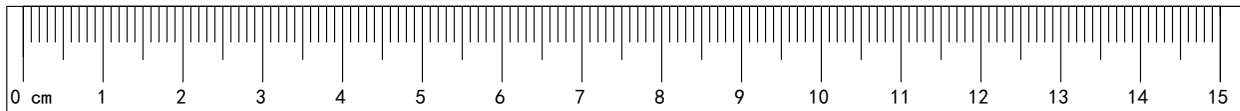
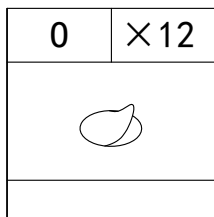
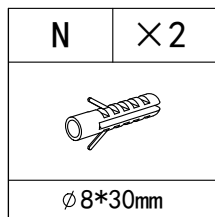
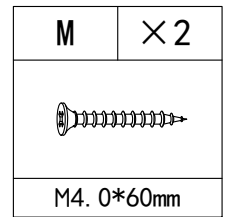
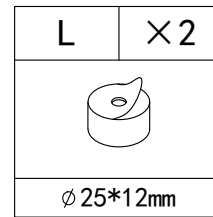
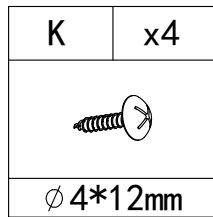
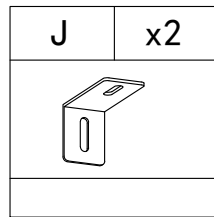
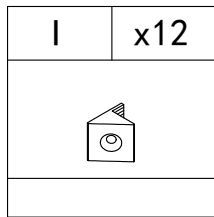
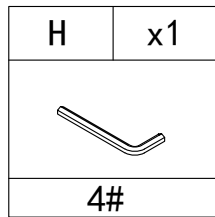
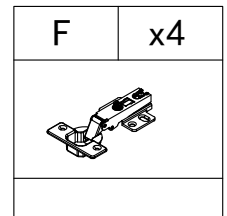
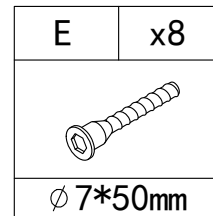
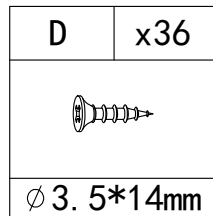
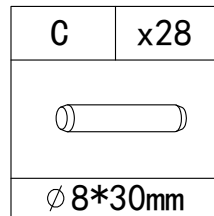
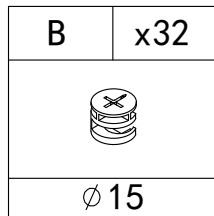
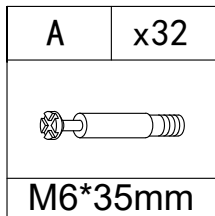
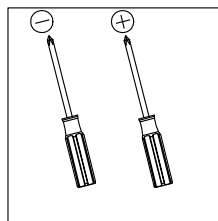
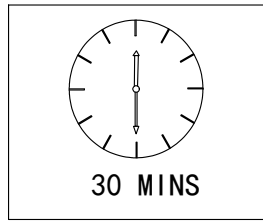
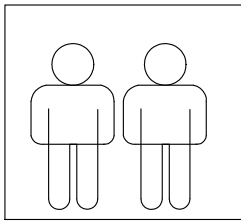
Mergentheimer Straße 59

DE-97084 Würzburg

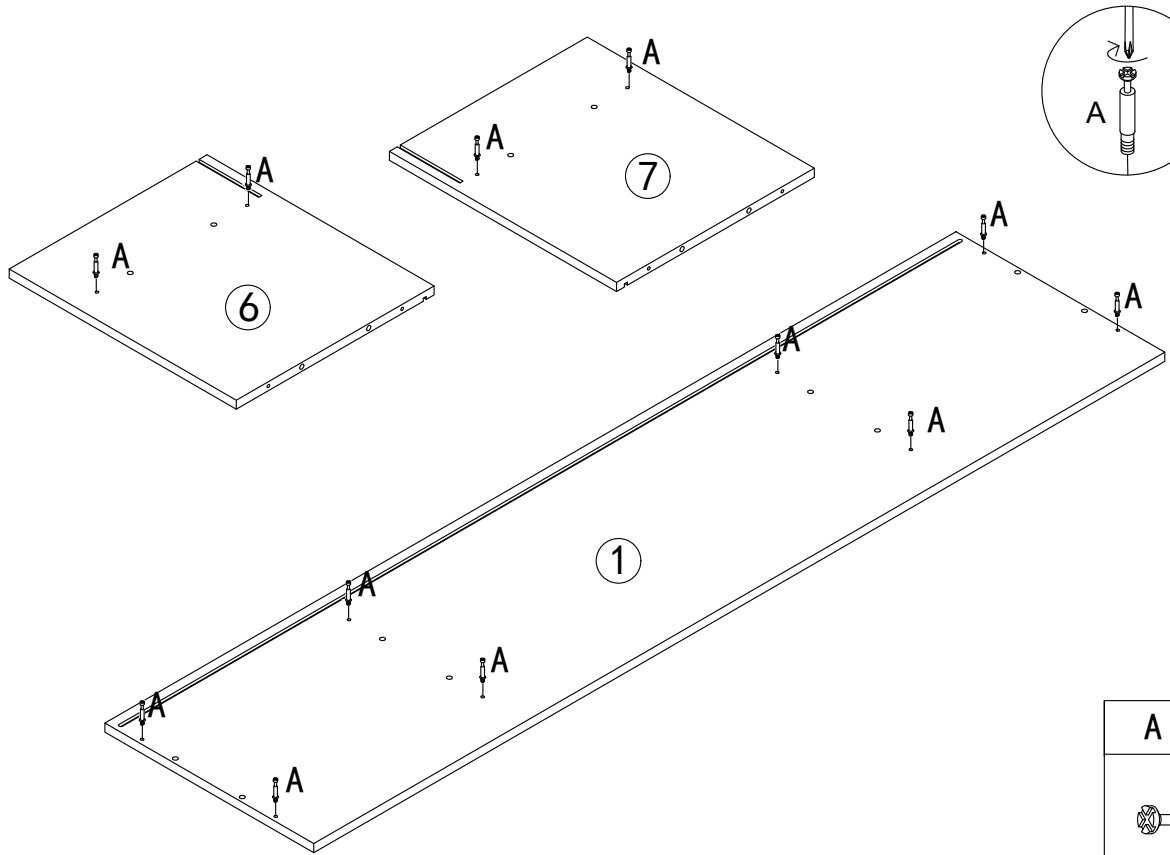
E-Mail:[info@xxxlutz.at](mailto:info@xxxlutz.at)

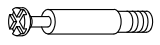




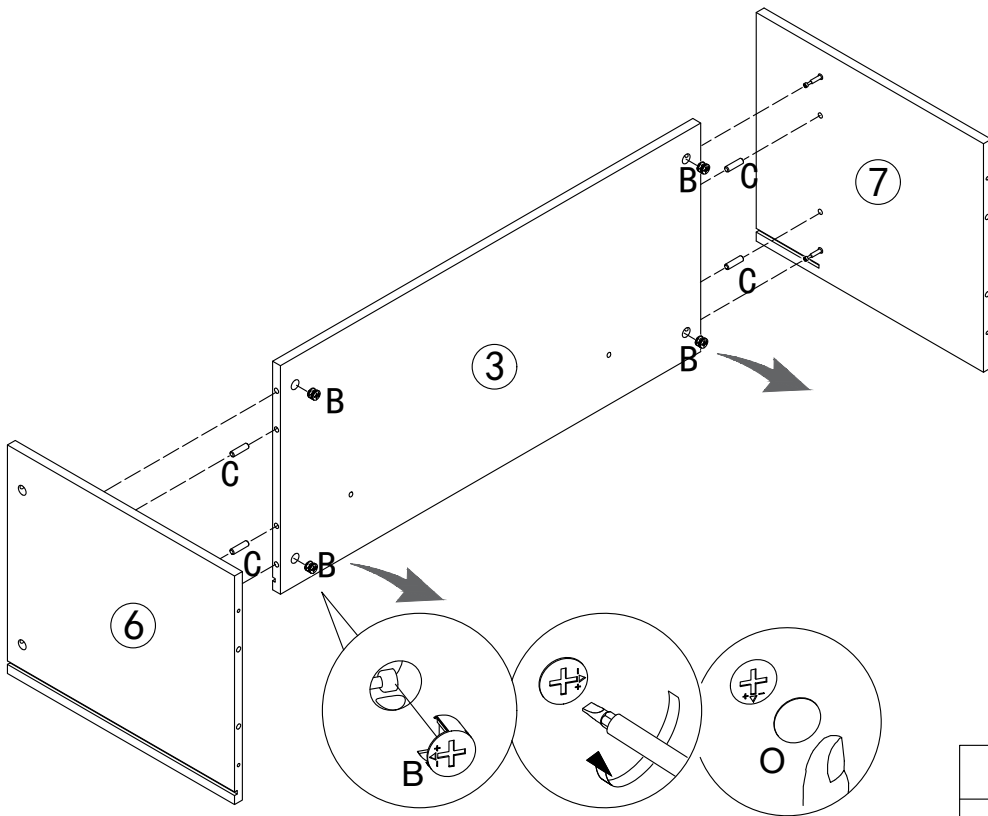



1.

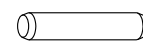



A	x12
	
M6*35mm	

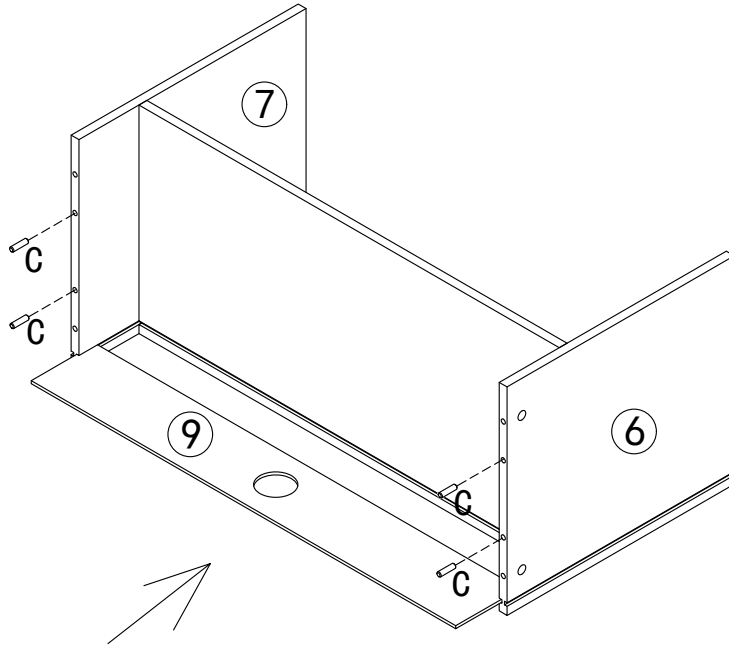
2.




O	x4
	

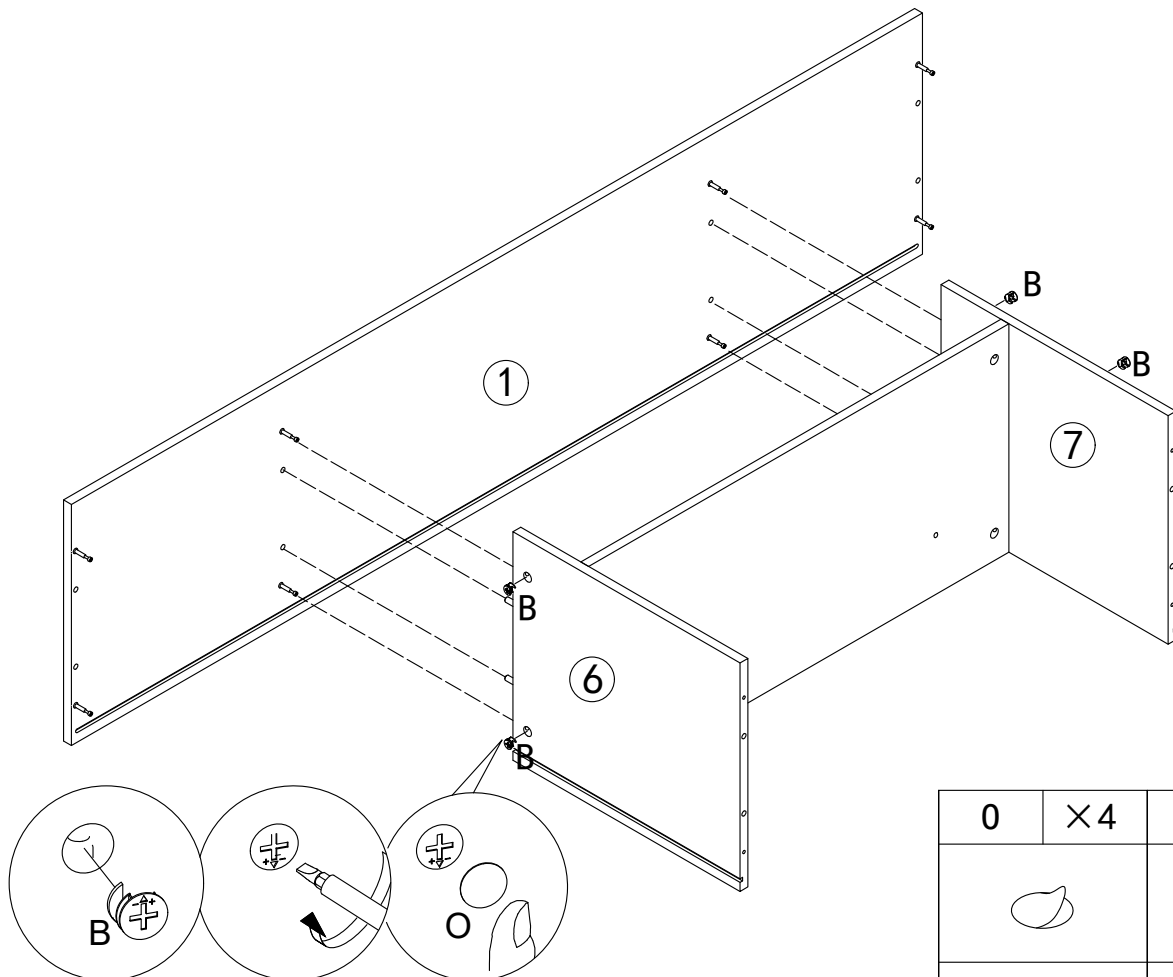
C	x4	B	x4
			
Ø 8*30mm		Ø 15	



3.



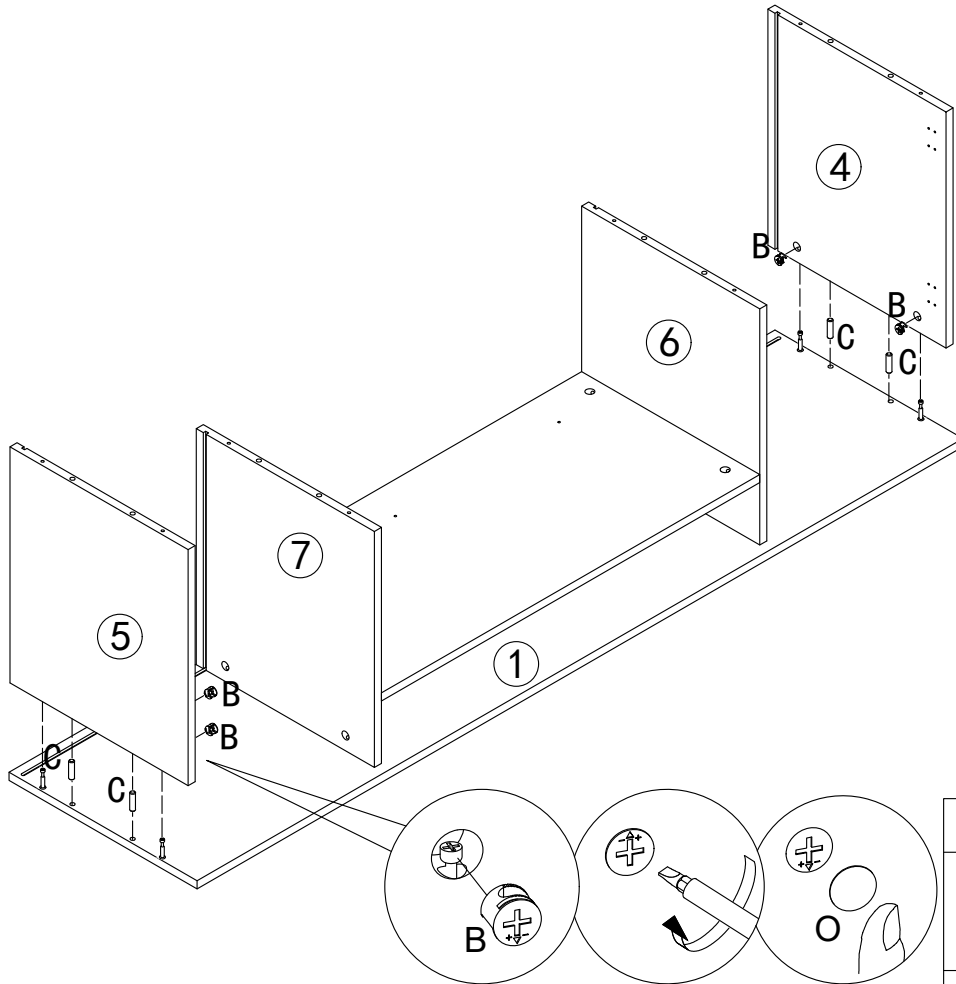
C	x4
	
$\varnothing 8 \times 30 \text{mm}$	


4.





O	x4	B	x4
			
$\varnothing 15$			

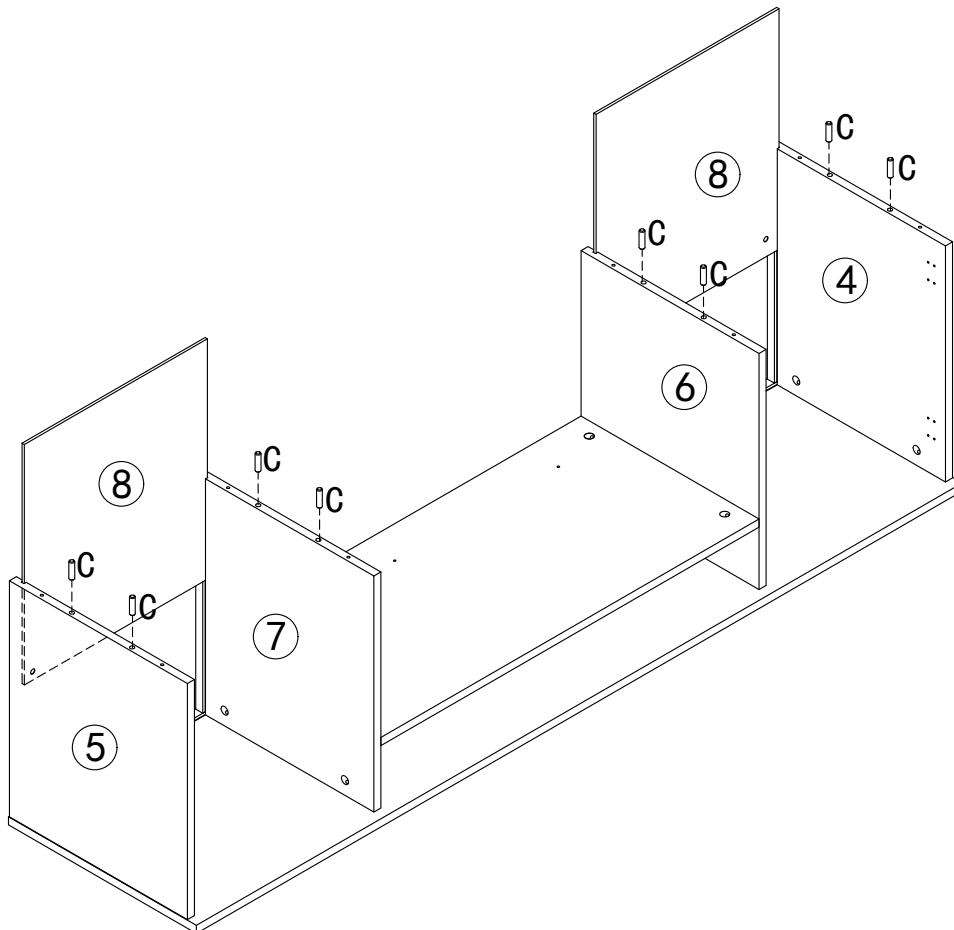
5.




O	x4
	

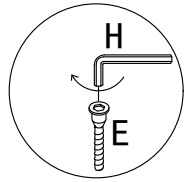
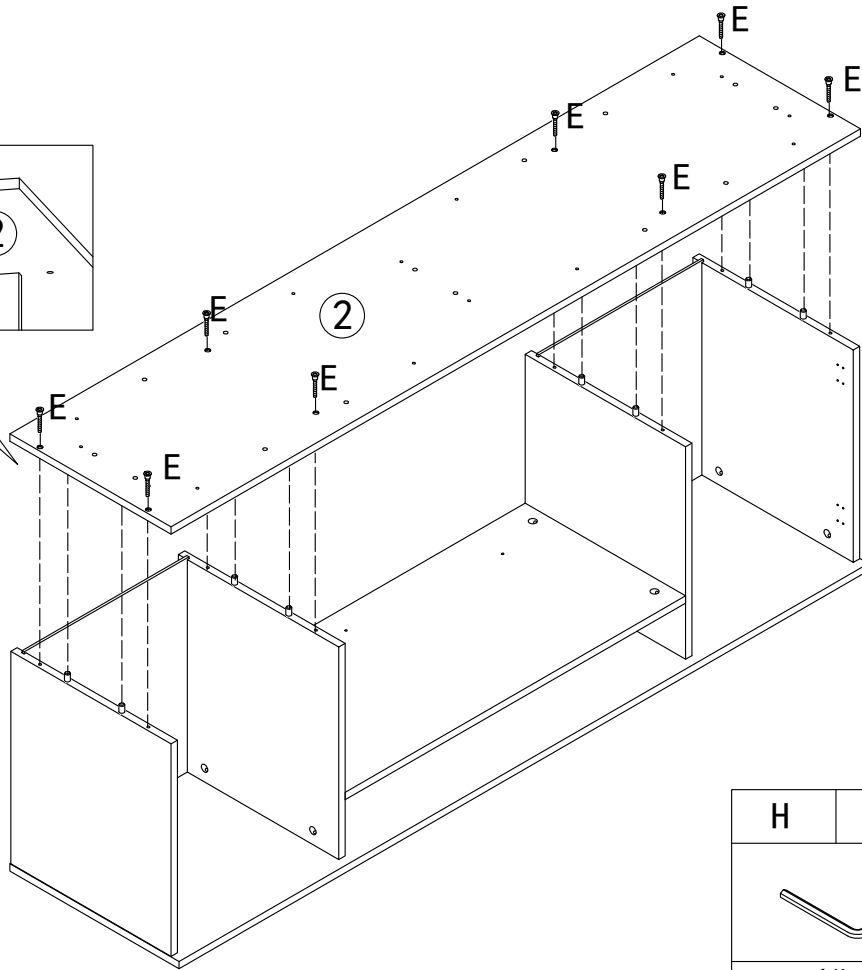
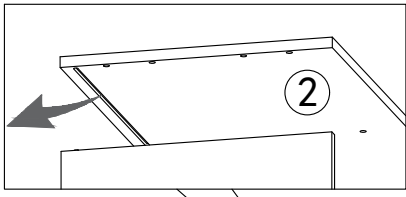
C	x4	B	x4
			
Ø8*30mm		Ø15	


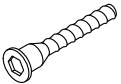
6.



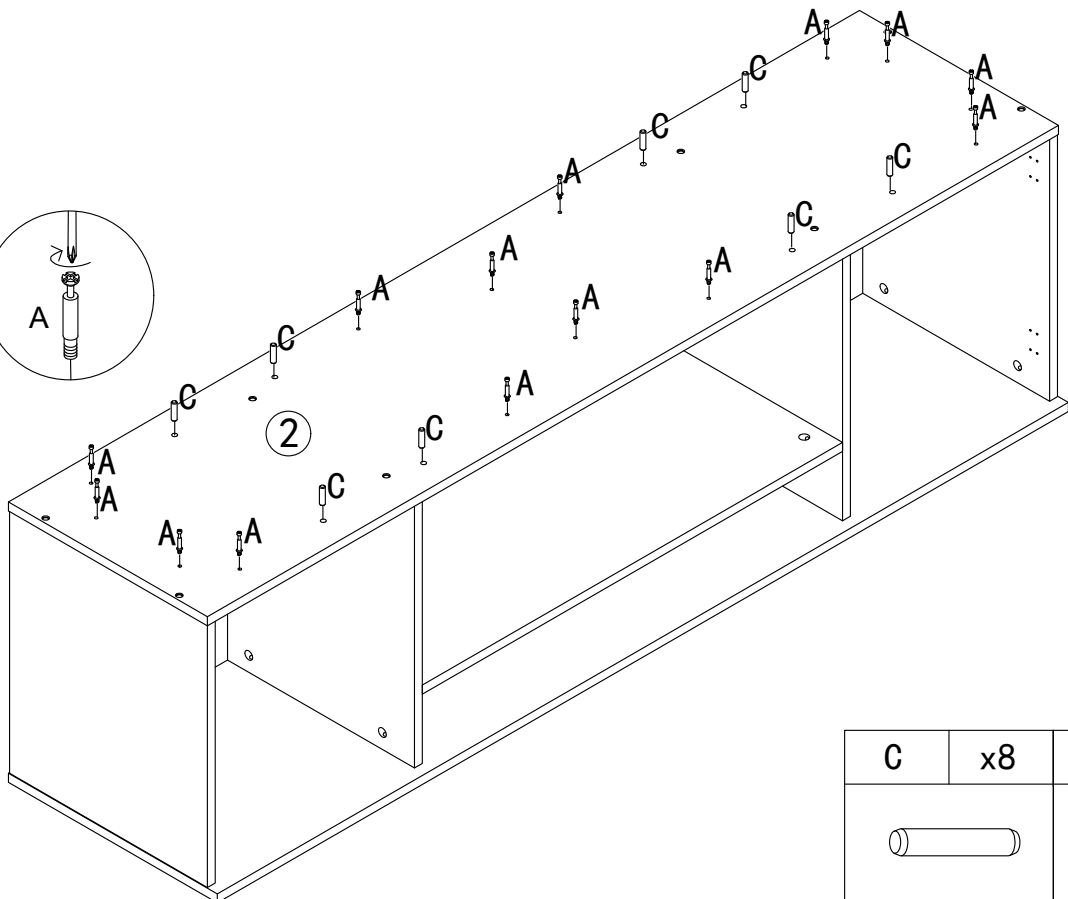
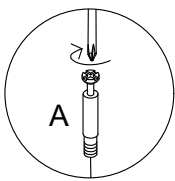
C	x8
	
Ø8*30mm	

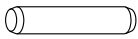

7.



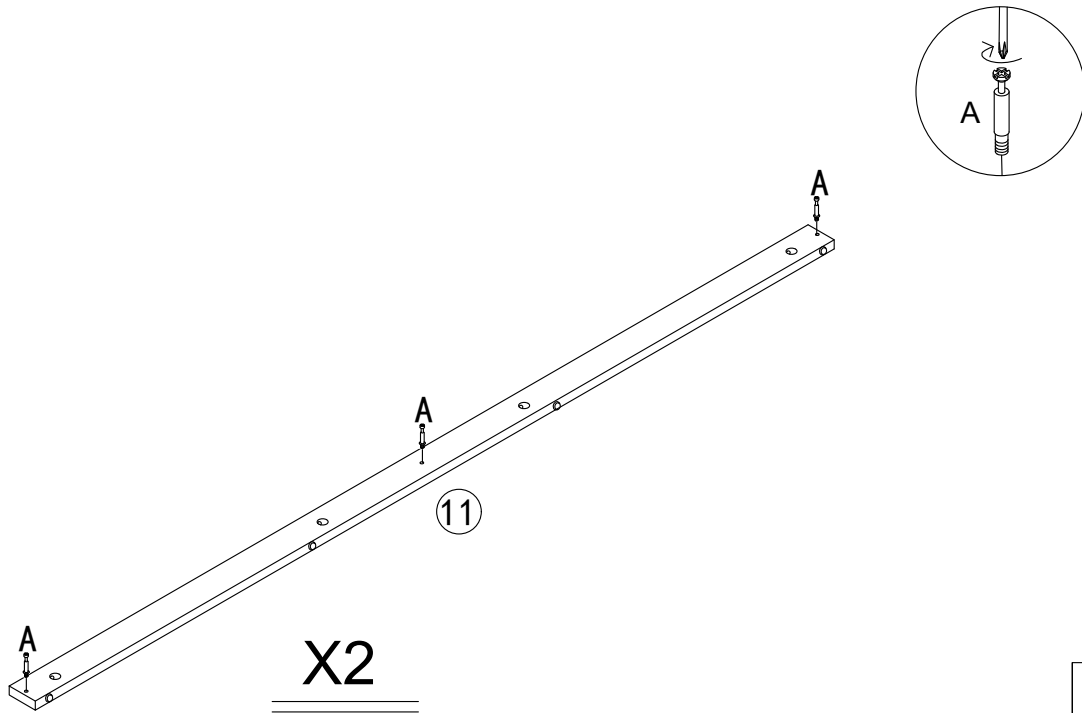
H	x1	E	x8
			
4#			

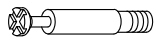
8.



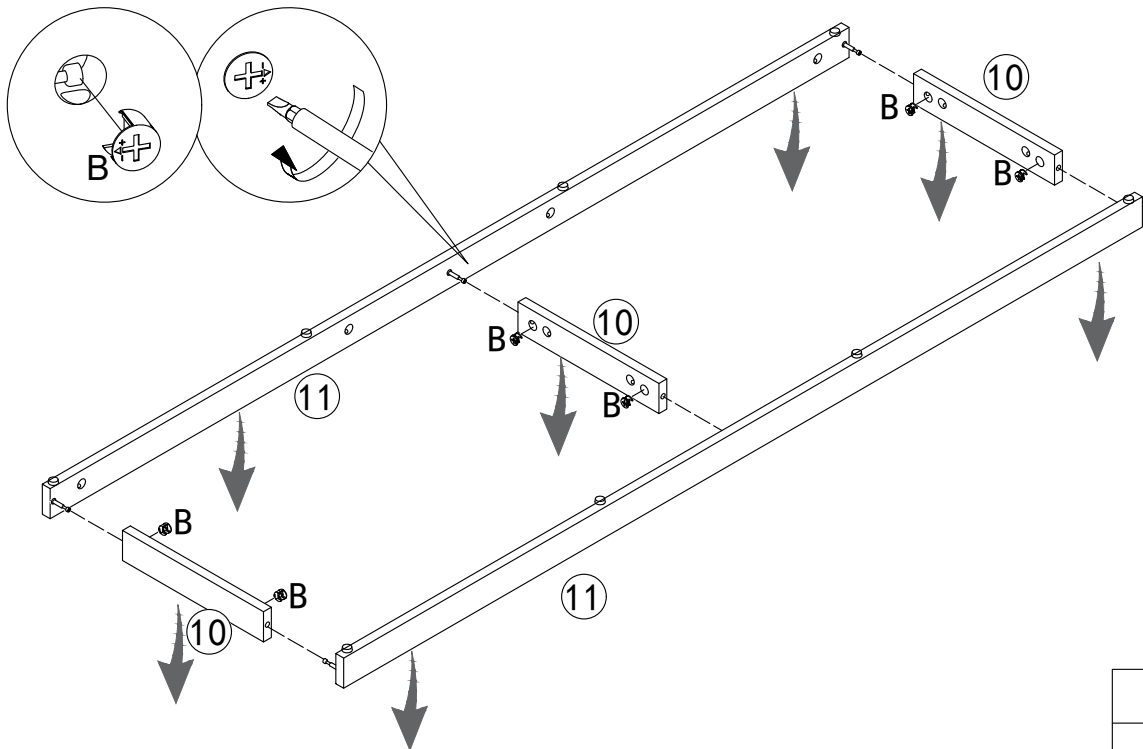
C	x8	A	x14
			
Ø8*30mm		M6*35mm	


9.



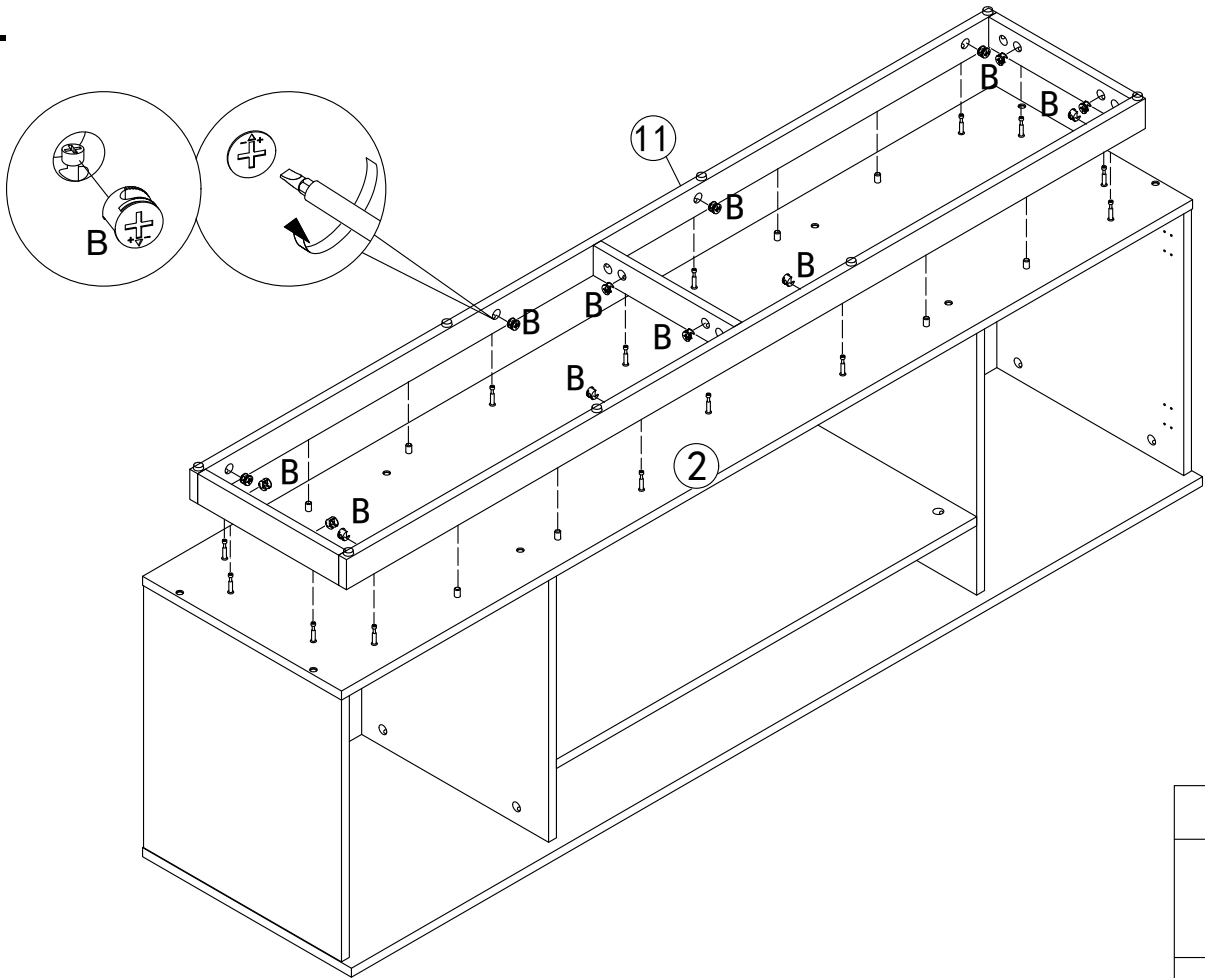
A	x6
	
M6*35mm	


10.



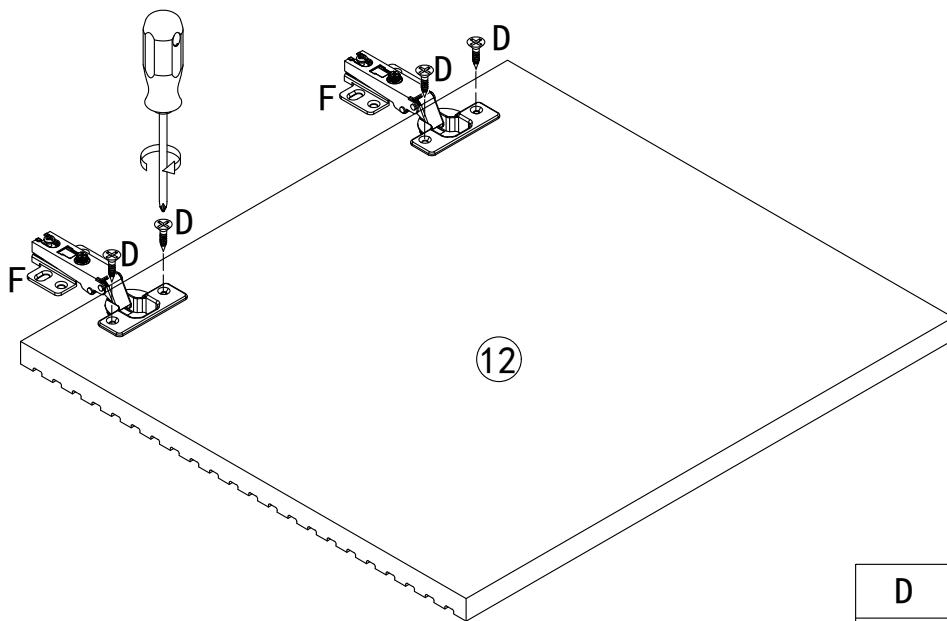
B	x6
	
Ø 15	

11.


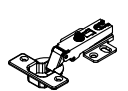


B	x14
	
$\varnothing 15$	

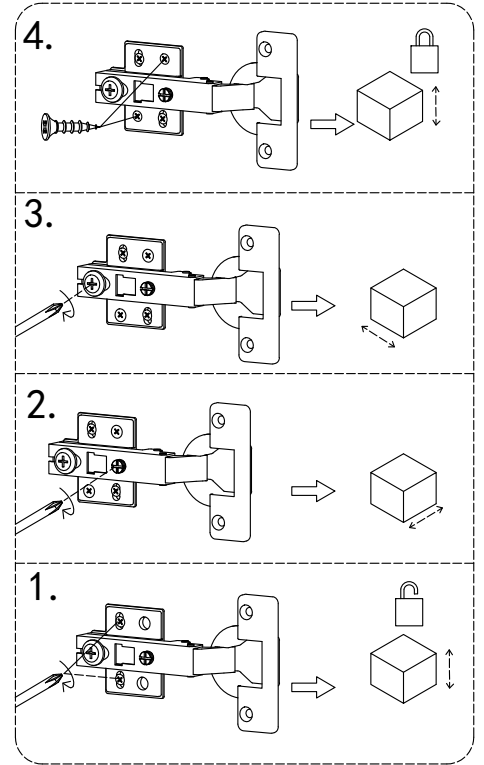
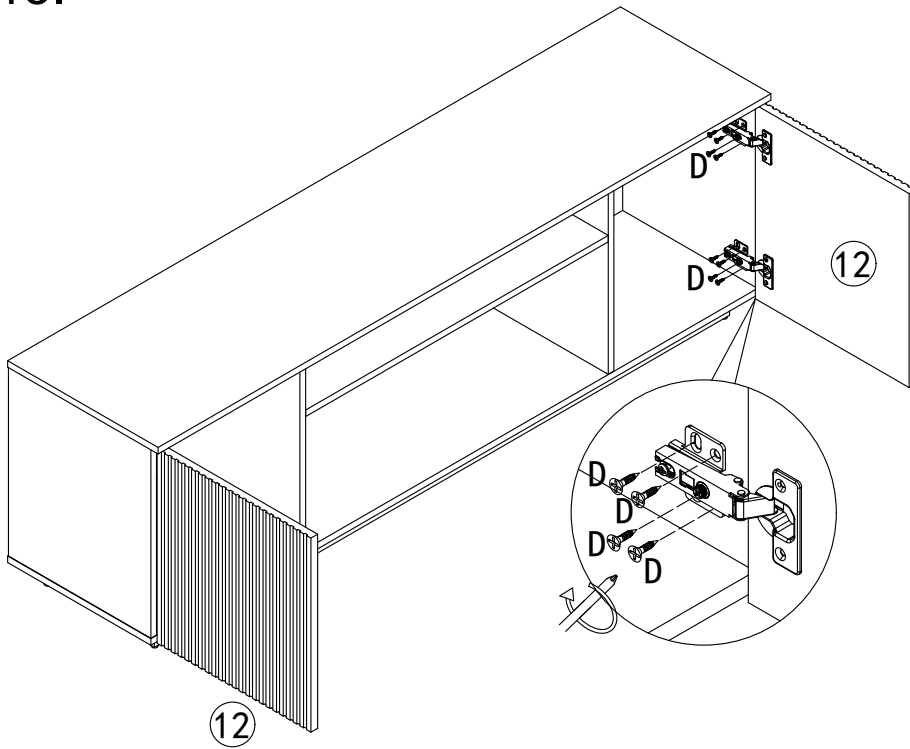
12.

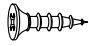


X2

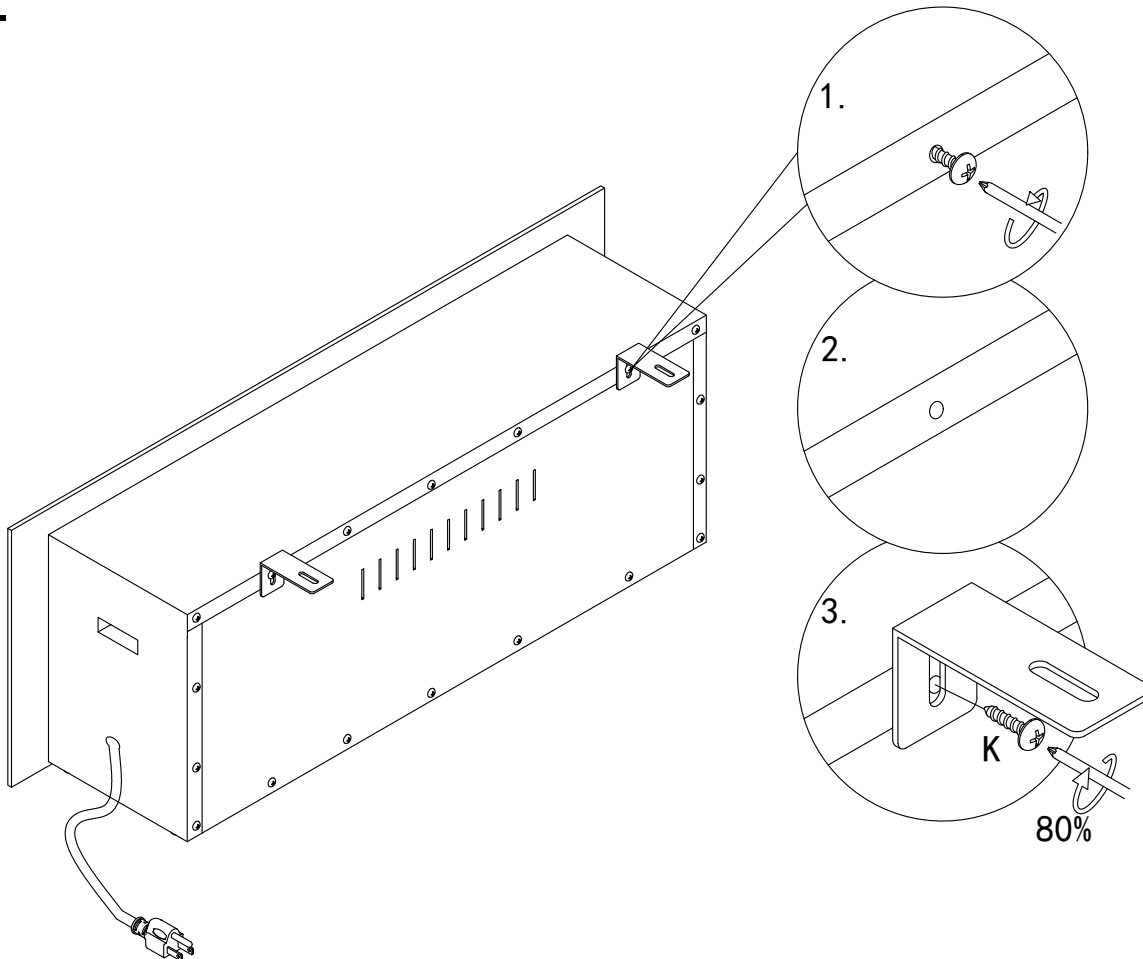
D	x8	F	x4
			
$\varnothing 3.5 \times 14 \text{mm}$			



13.



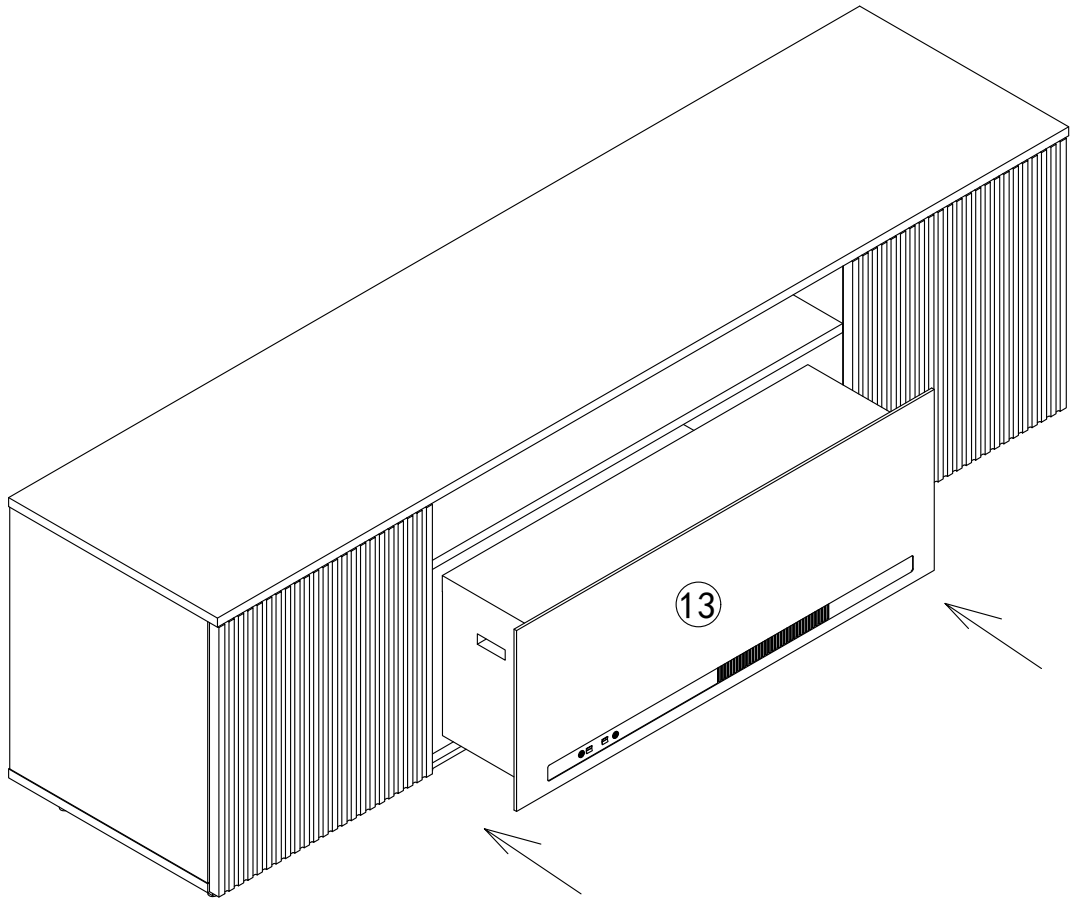
D	x16
	
$\varnothing 3.5 \times 14\text{mm}$	

14.

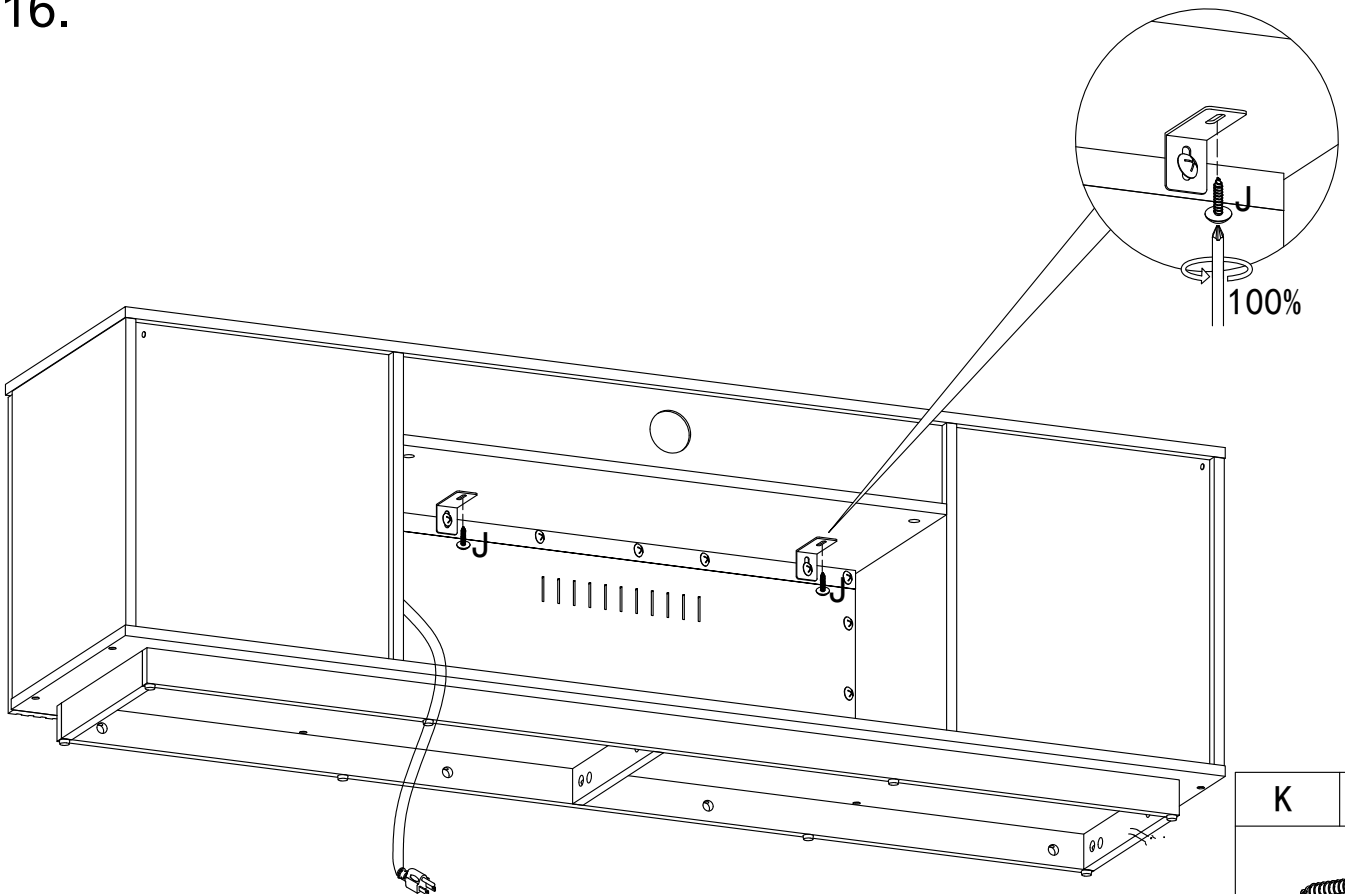


J	x2
	
K	x2
	
$\varnothing 4 \times 12\text{mm}$	

15.



16.

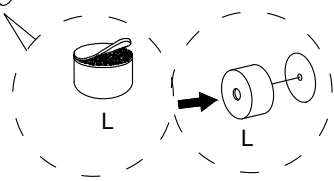
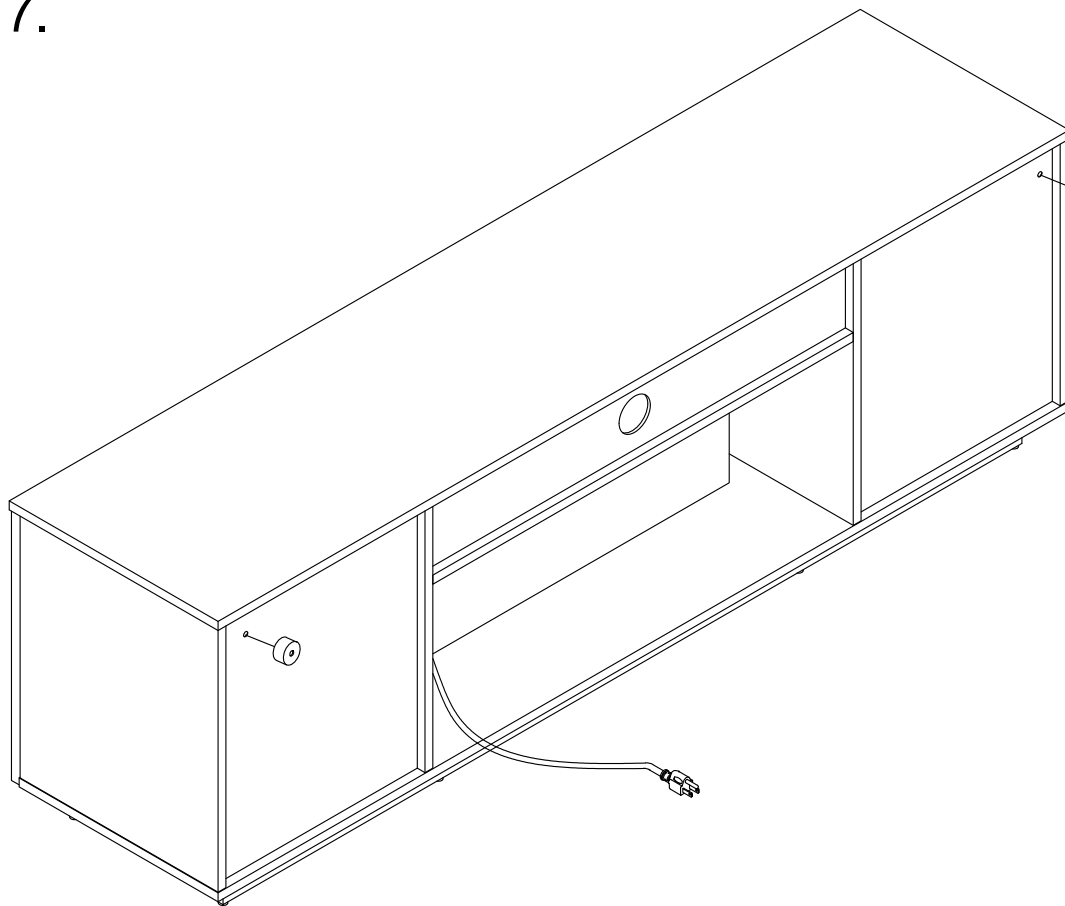


K x2



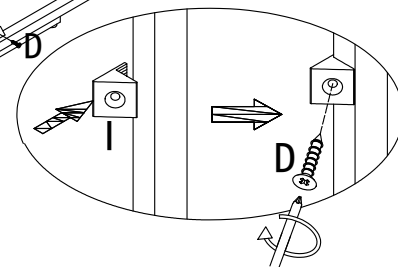
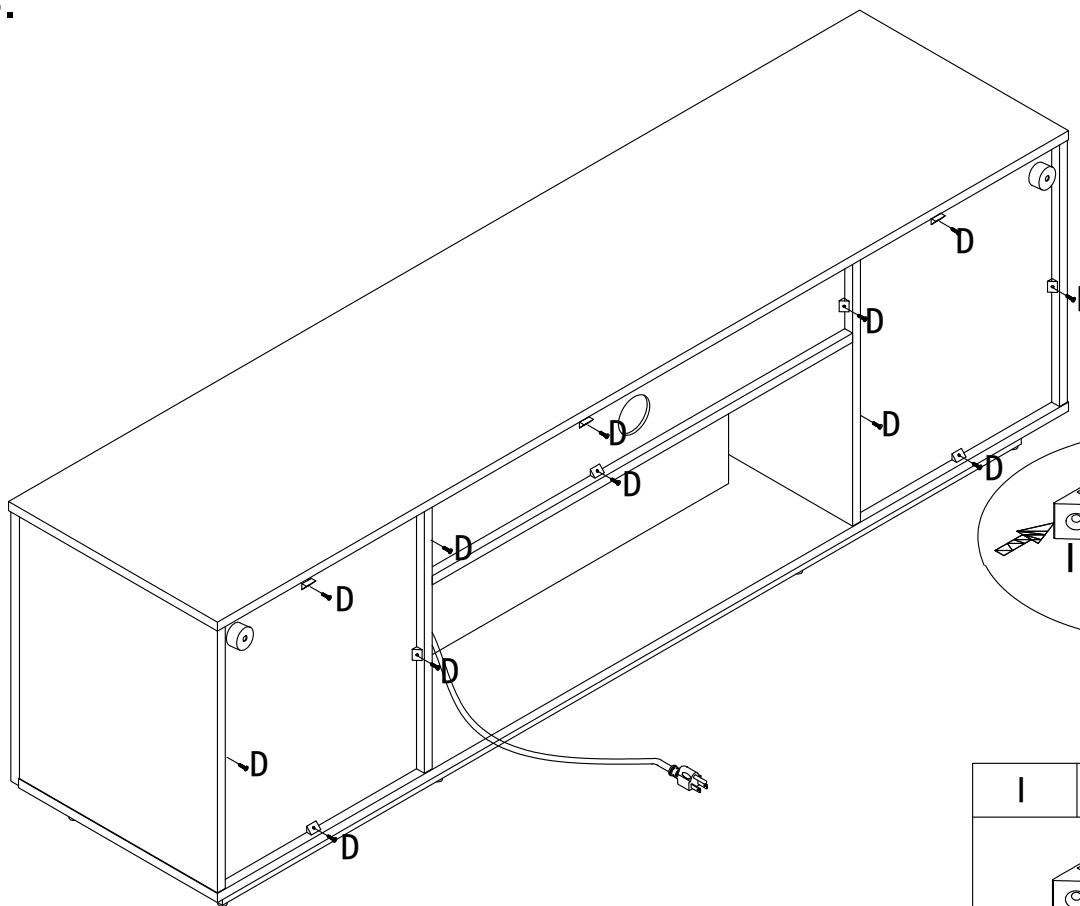
Ø4\*12mm

17.



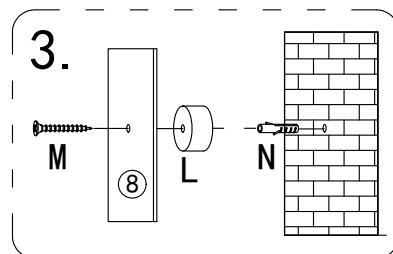
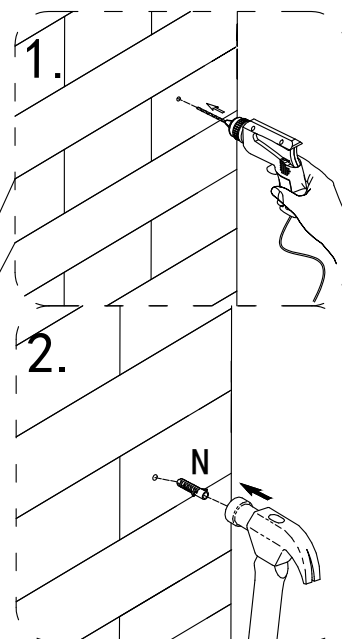
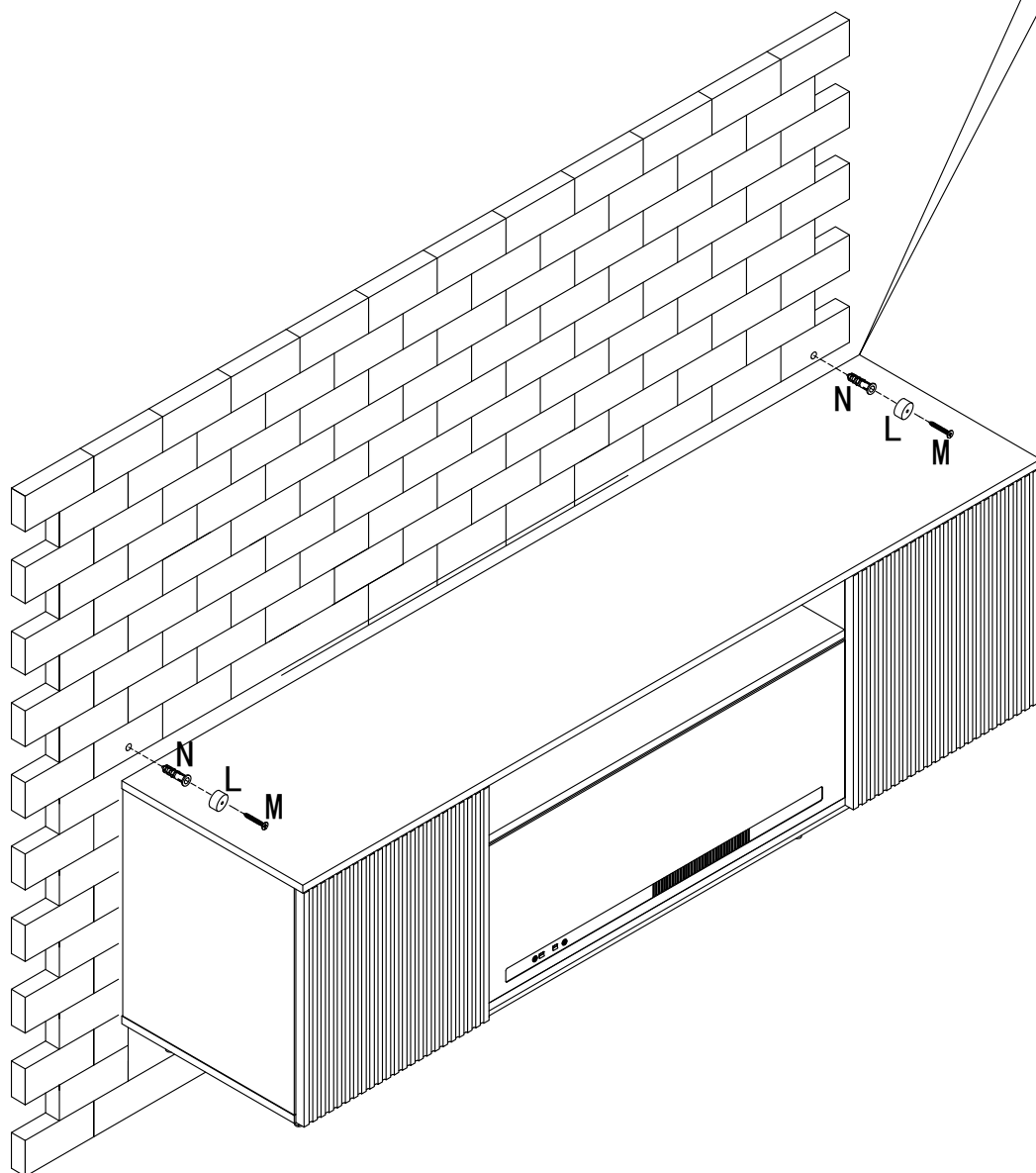
L	×2
$\text{Ø} 25 \times 12 \text{mm}$	

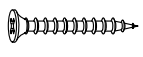

18.



I	x12	D	x12
$\text{Ø} 3.5 \times 14 \text{mm}$			

19.



M	× 2	N	× 2
			
M4. 0*60mm		∅8*30mm	