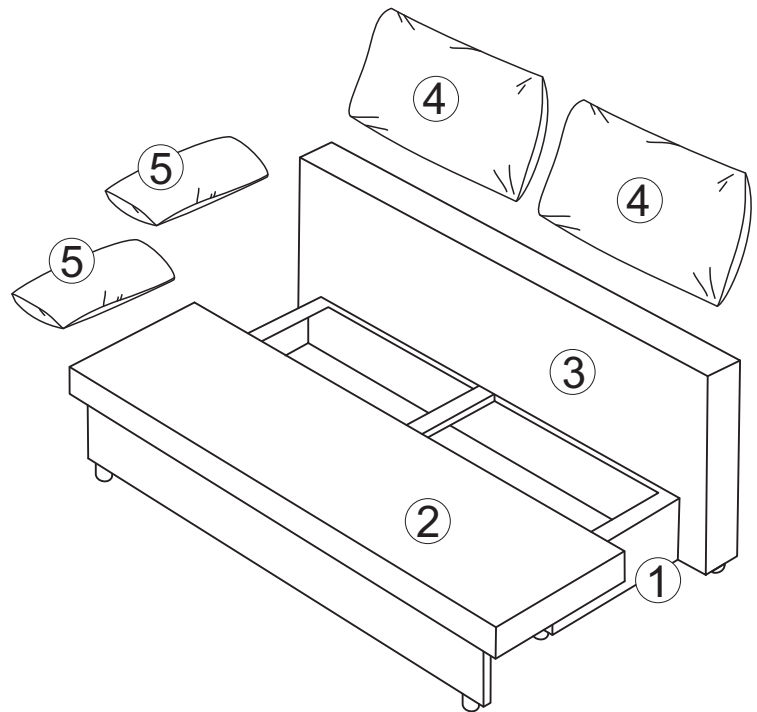
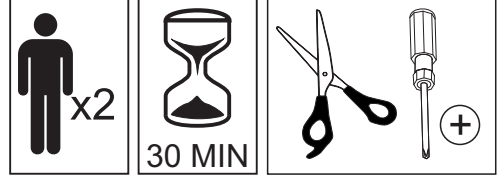
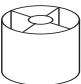


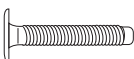



# NEO 2SB

02-06/2020



A		Ax6 Leg	B		Bx8 5x40	C		Cx6 Felt	D		Dx4 M6x40	E		Ex1 4mm
---	-------------------------------------------------------------------------------------	------------	---	-------------------------------------------------------------------------------------	-------------	---	-------------------------------------------------------------------------------------	-------------	---	---------------------------------------------------------------------------------------	--------------	---	---------------------------------------------------------------------------------------	------------

1

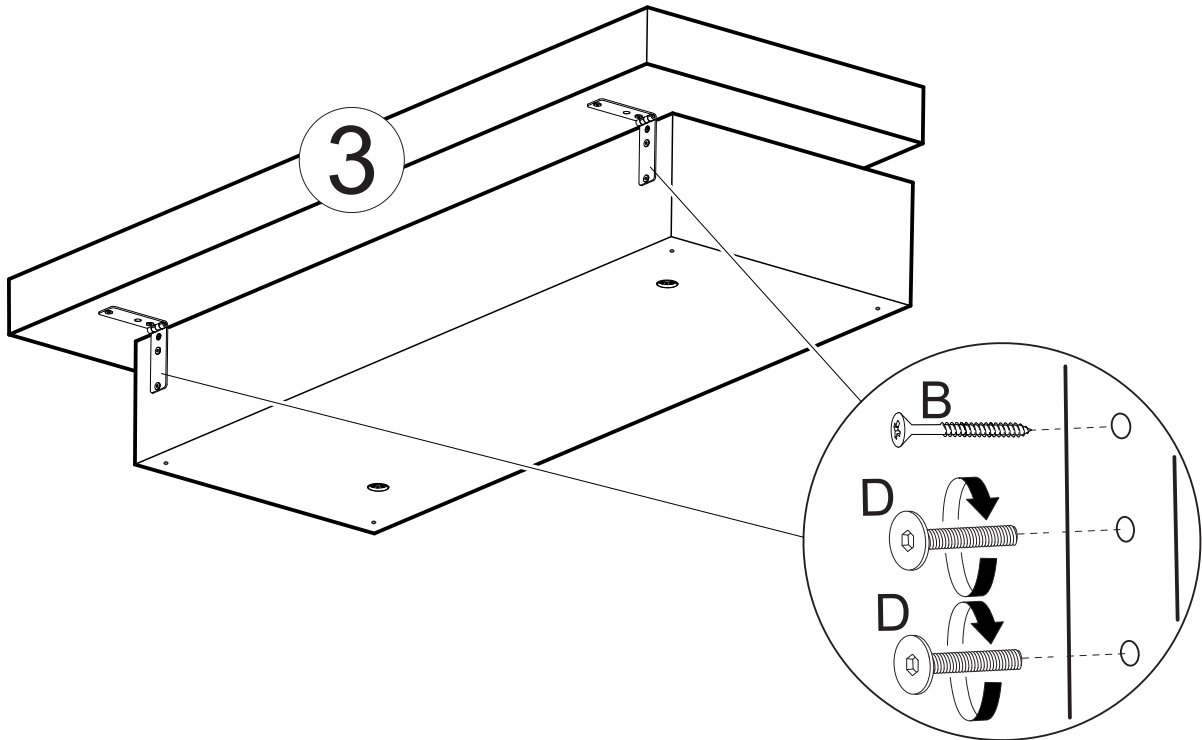
Bx2



Dx4



Ex1



2

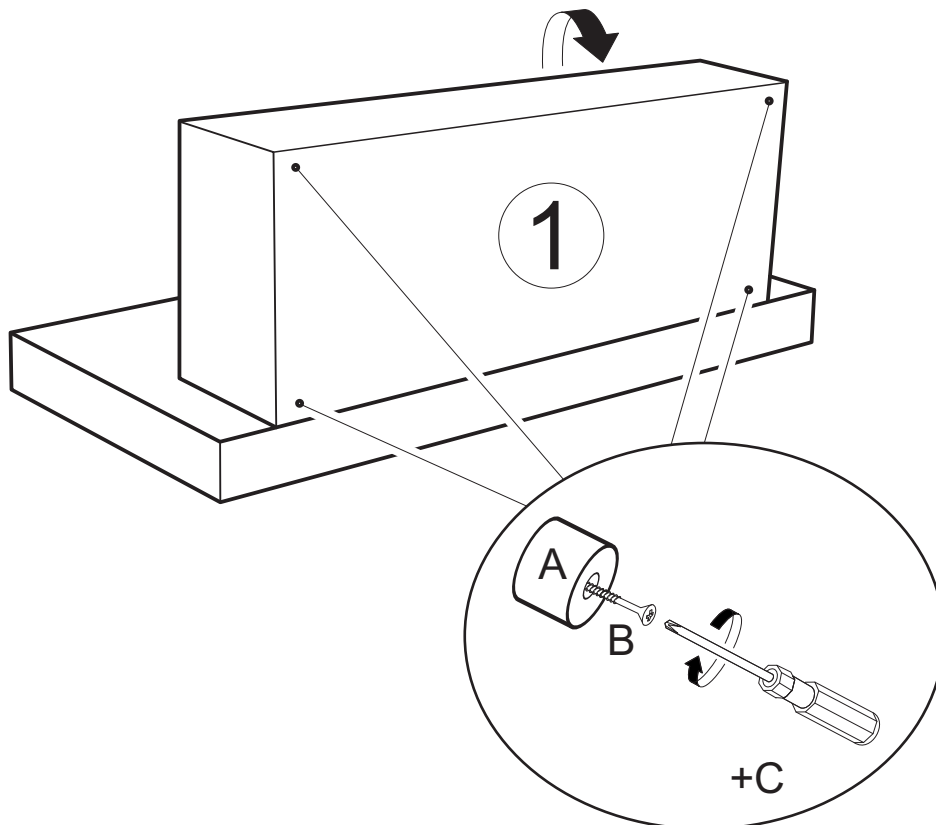
Ax4

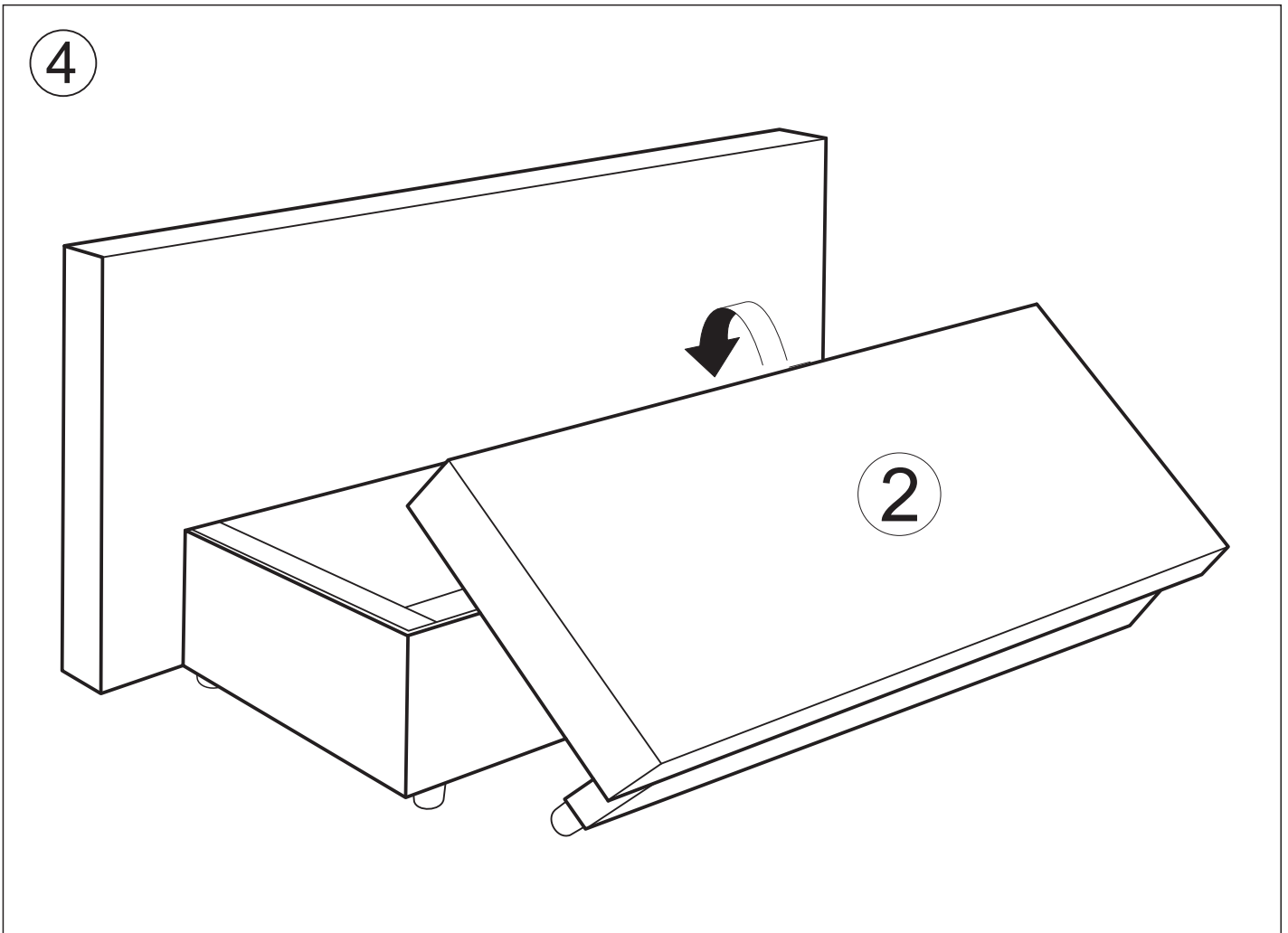
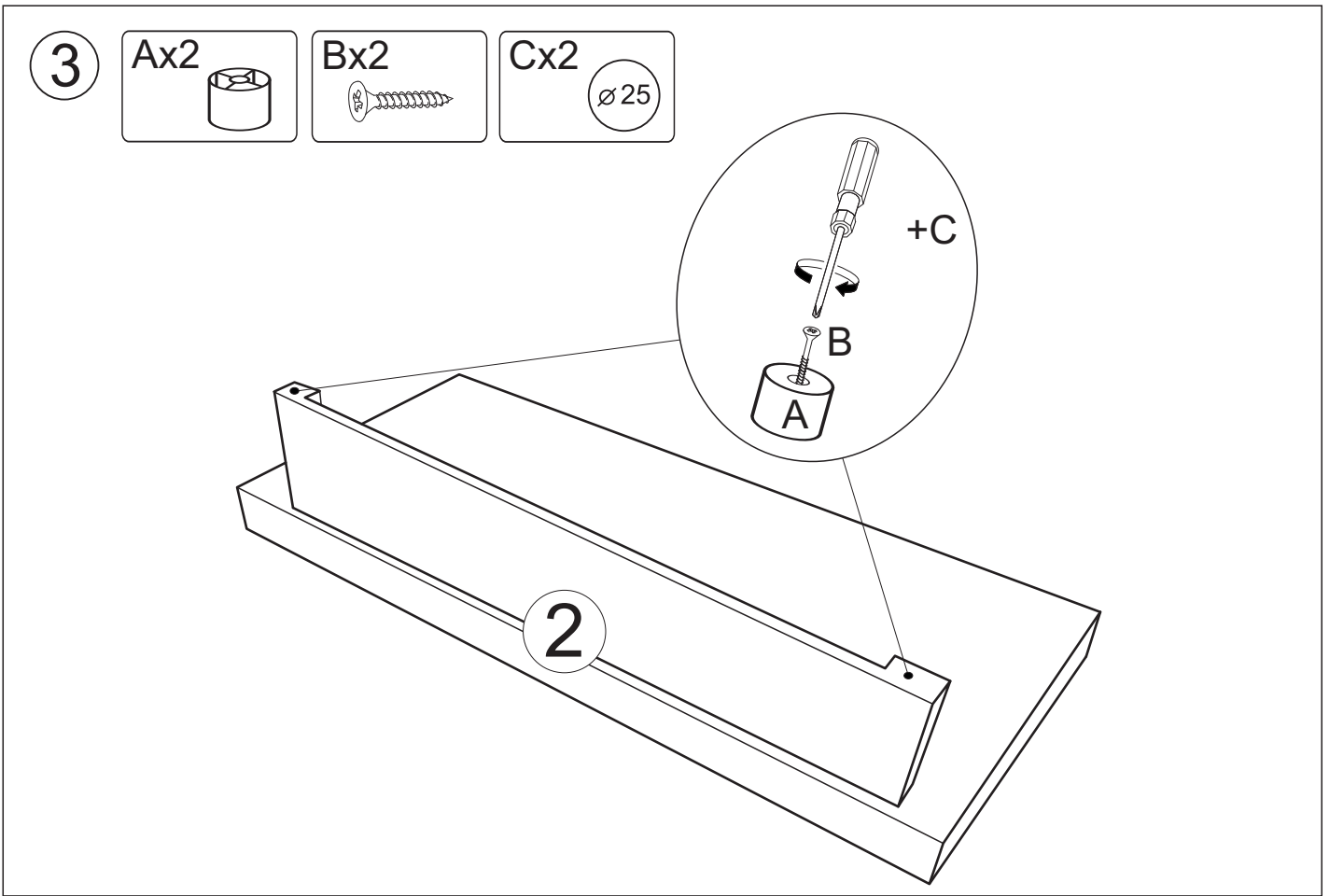


Bx4

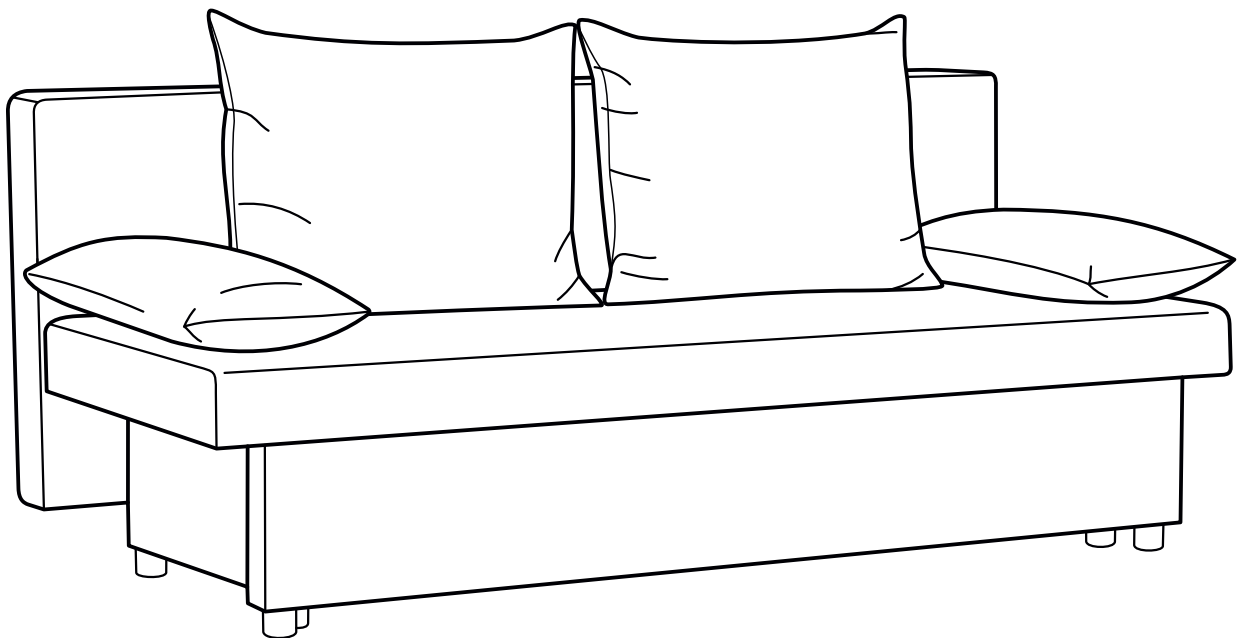
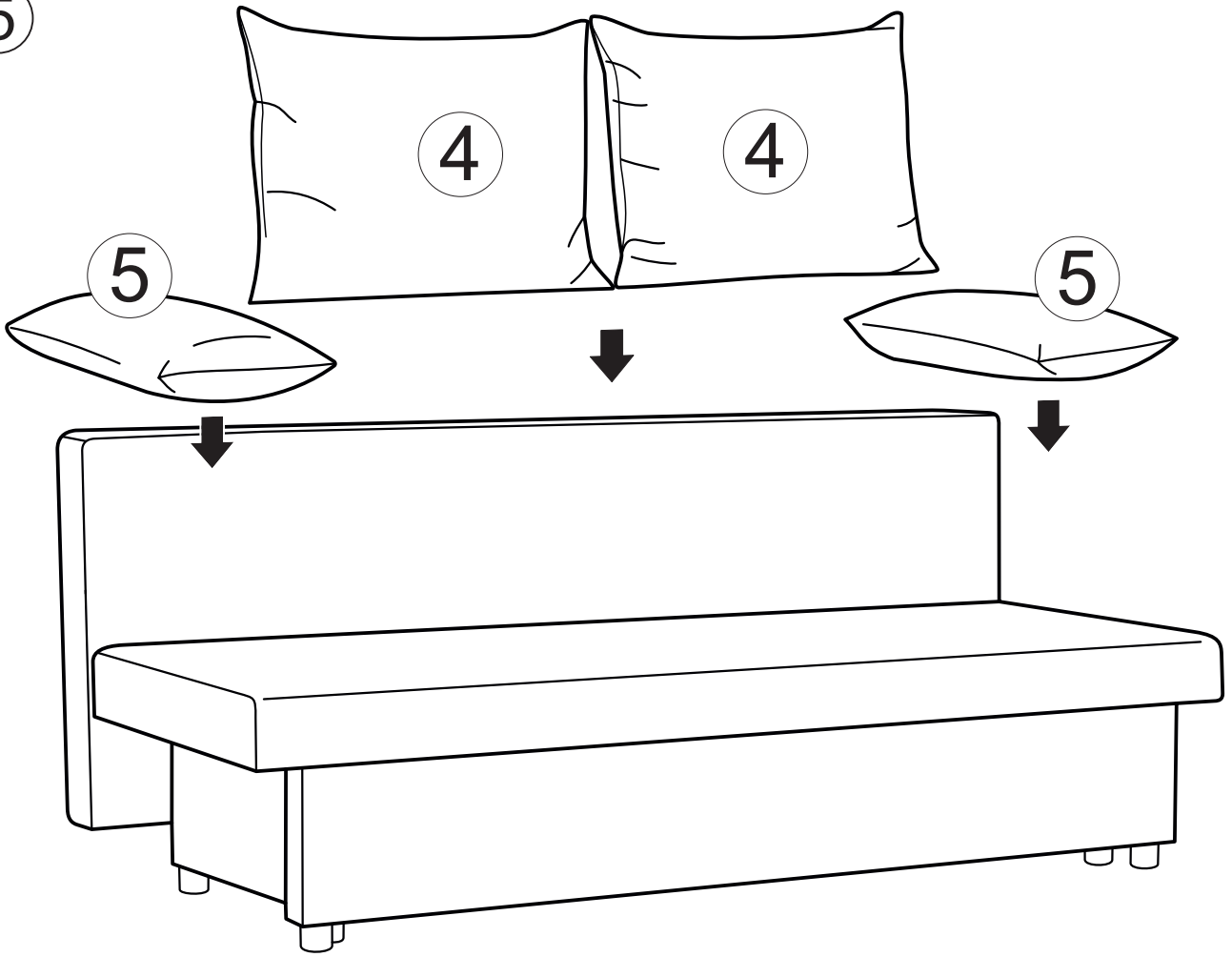


Cx4

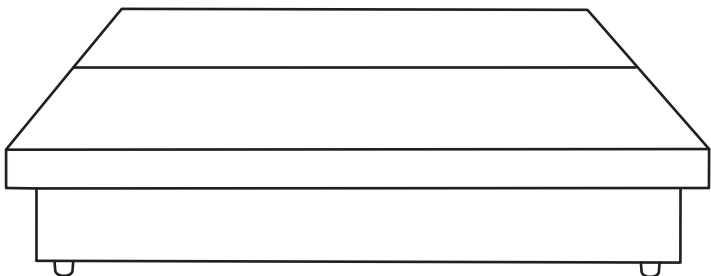
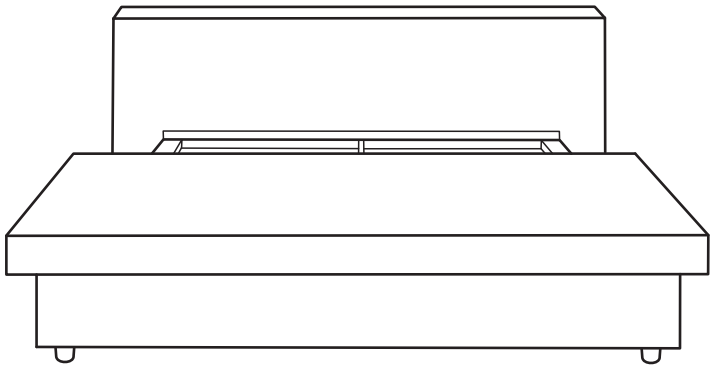
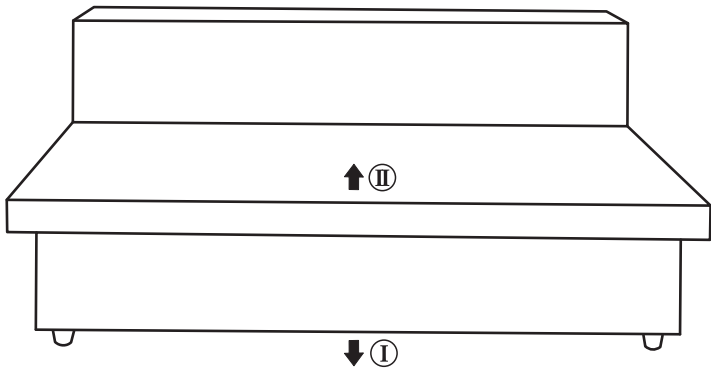
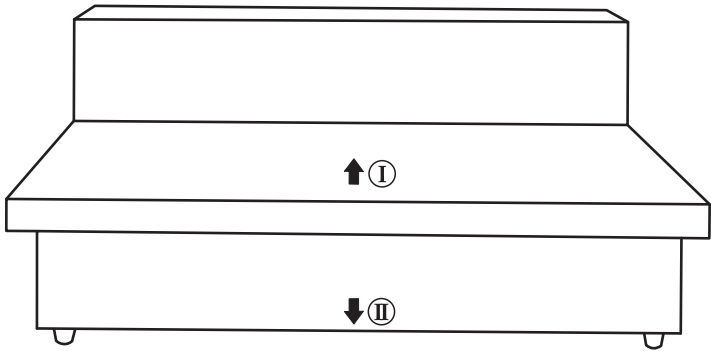
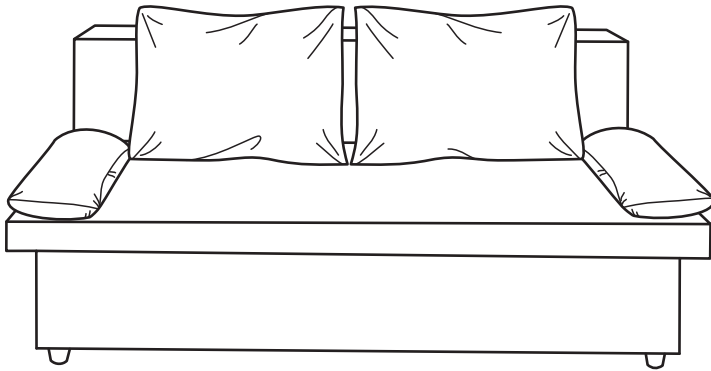




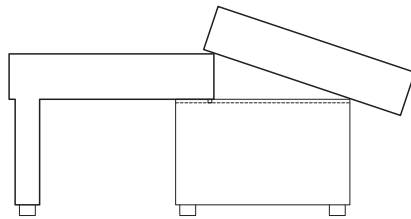
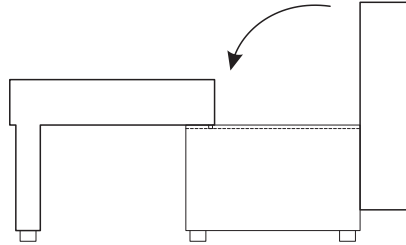
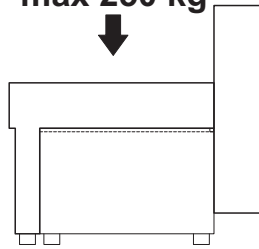
5



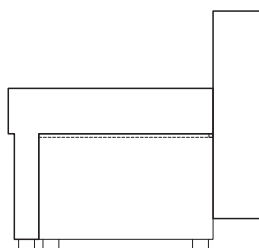
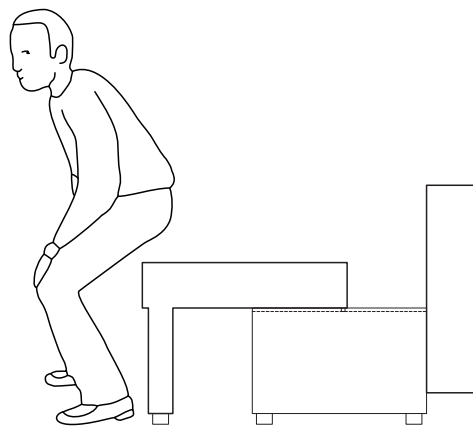
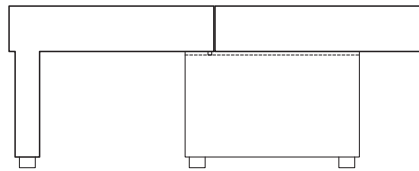
6



max 250 kg



max 130 kg



# ACHTUNG!

