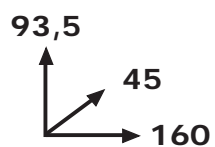
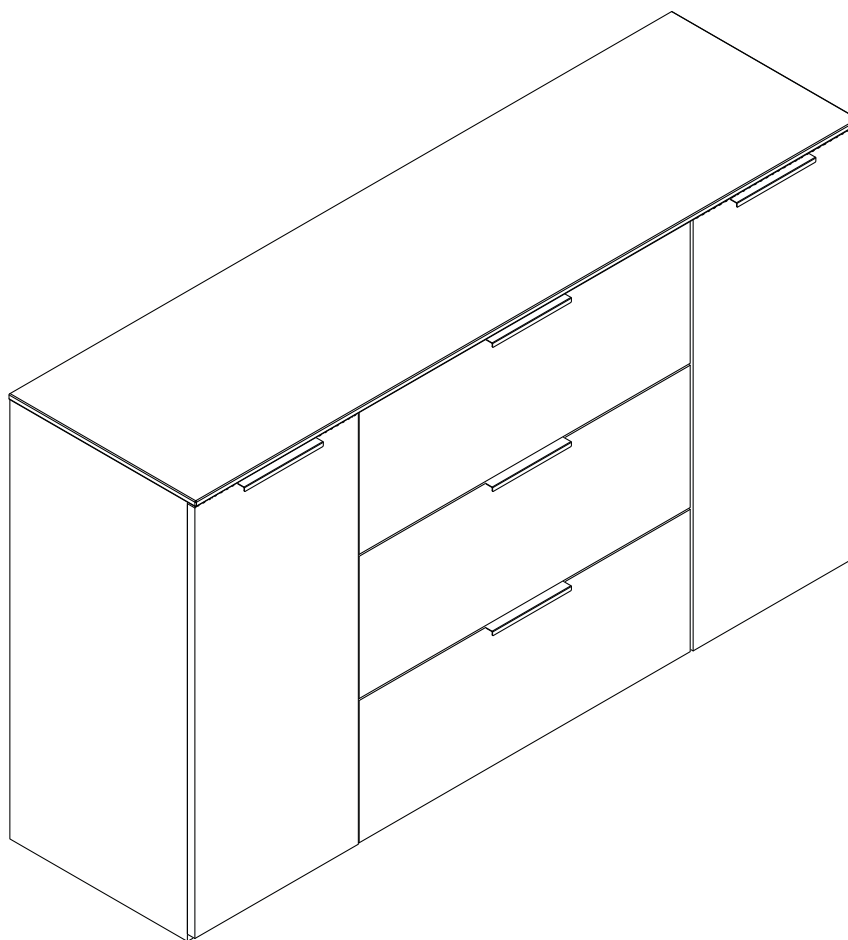
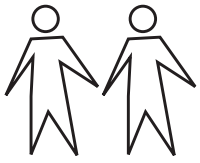


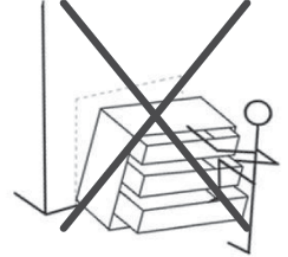
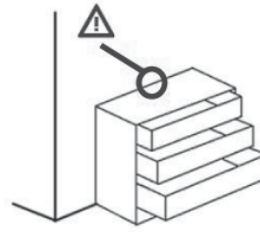
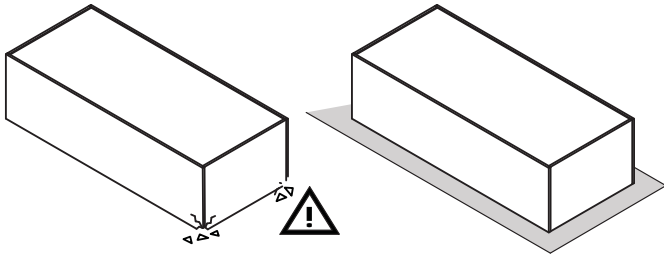
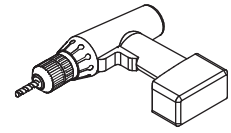
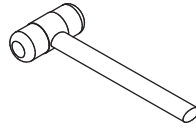
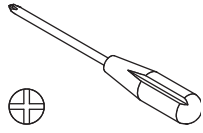
# BS4635K56104



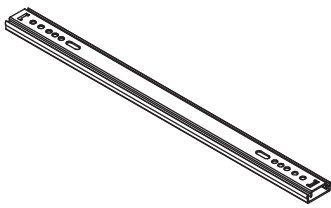
QF4489



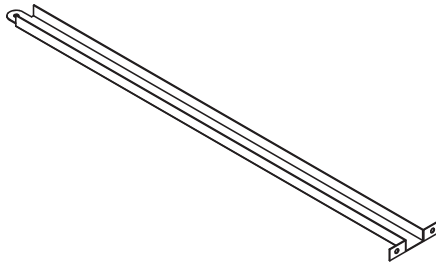
1,5h



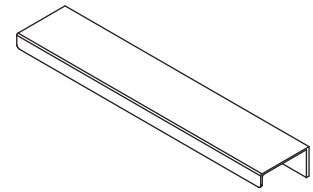
**BU3031**



**A34**  
x6

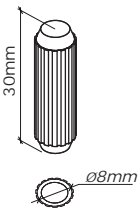


**W398**  
x3



**M94**  
x5

**BU3656**



**H1**  
x22



**V5**  
x28



**H2**  
x6



**H14**  
x2



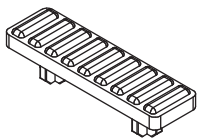
**V38**  
x6



**H113**  
x10



**H54**  
x22



**P6**  
x6



**T83**  
x30



**T99**  
x18



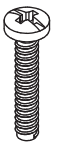
**H15**  
x46



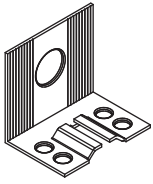
**T98**  
x12



**G128**  
x12



**V7**  
x6



**H16**  
x1



**V10**  
x2



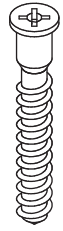
**V98**  
x9



**G57**  
x4



**R1**  
x16



**V45**  
x4



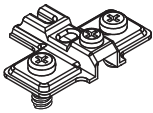
**H106**  
x1



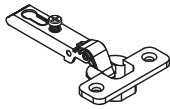
**G31**  
x4

---

**BU0347**



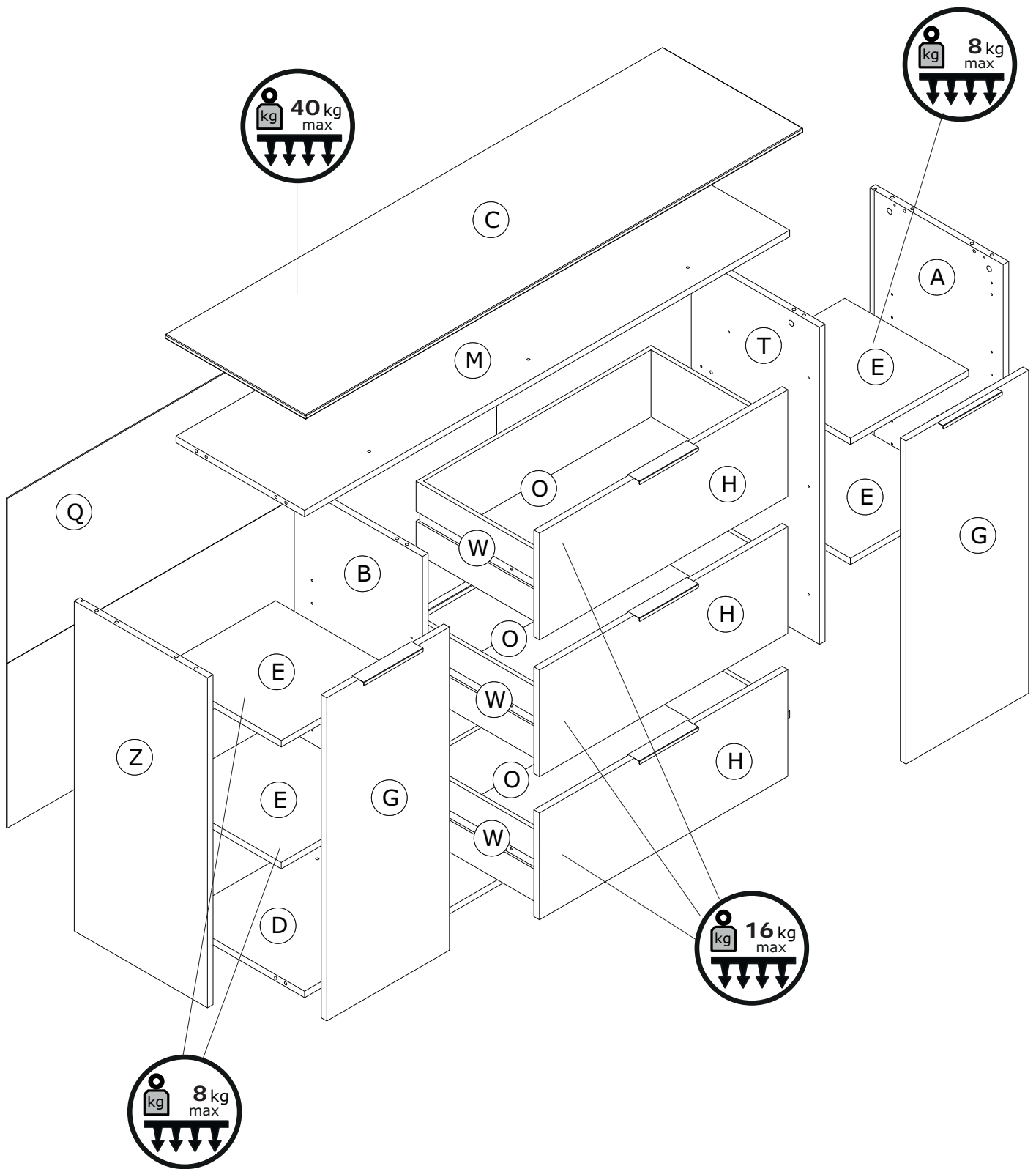
**B9**  
x4

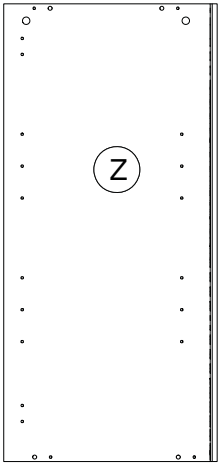


**C1**  
x4

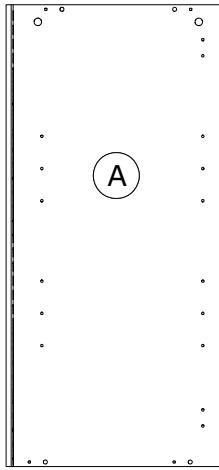


**V5**  
x8

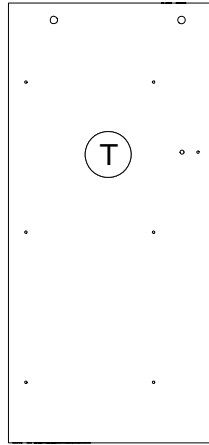




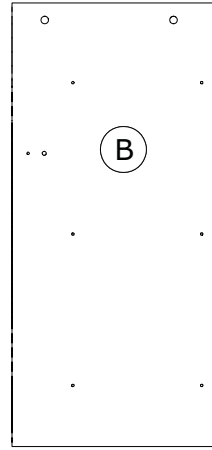
**FI7868**  
918x428x18mm



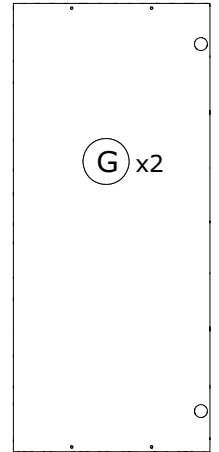
**FI7866**  
918x428x18mm



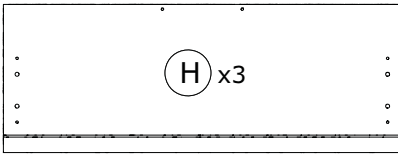
**TR1974**  
882x412x18mm



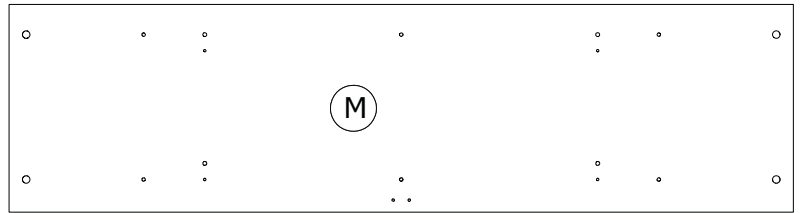
**TR1973**  
882x412x18mm



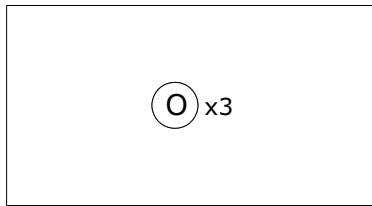
**AN2538**  
899x394x18mm



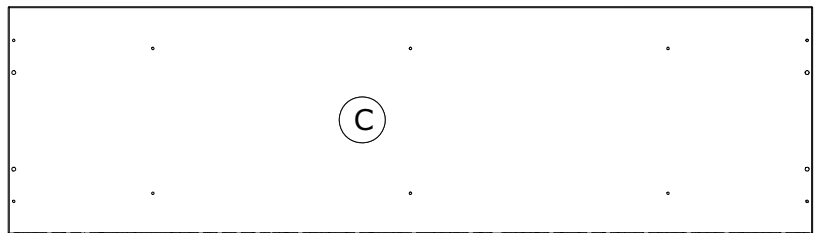
**CS2750**  
798x297x18mm



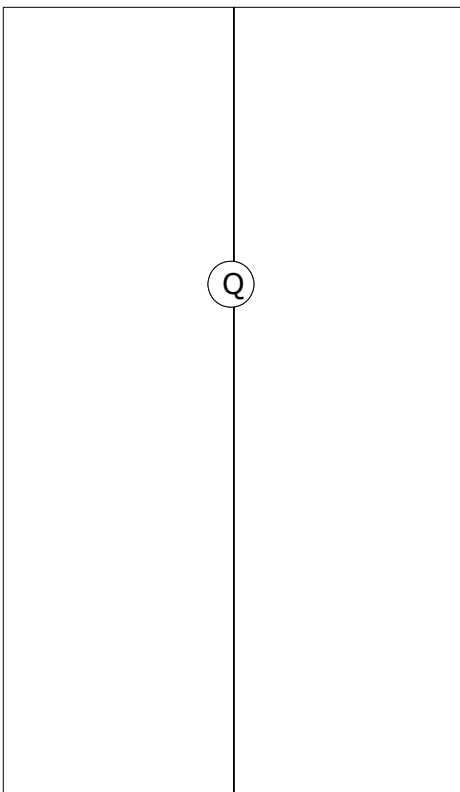
**PI6747**  
1559x413x18mm



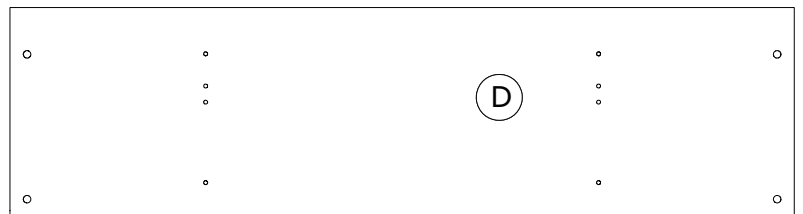
**SH2944**  
742x401x3mm



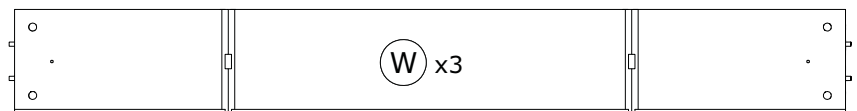
**CA3230**  
1599x450x12mm



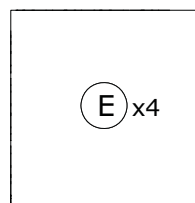
**SH3007**  
1573x917x3mm



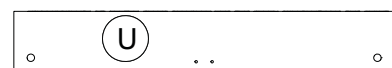
**PI6748**  
1559x413x18mm



**OF0399**  
400x755x400mm H.200mm

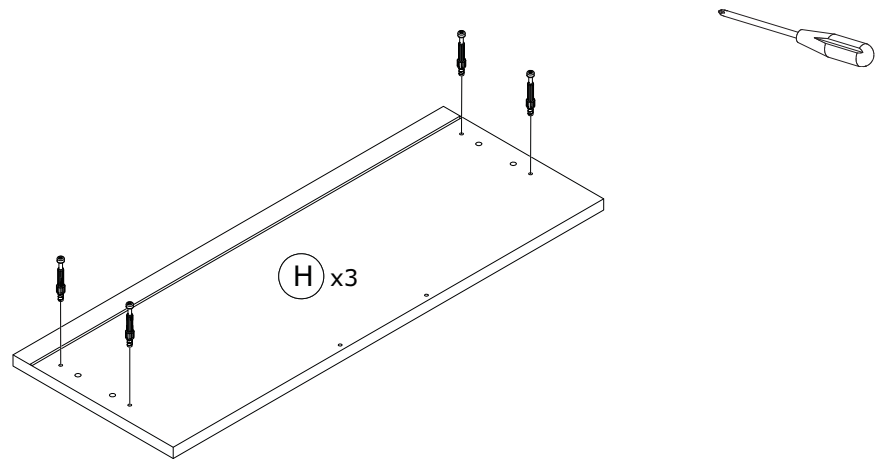
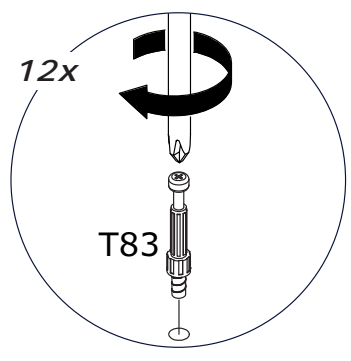


**PI6749**  
380x398x18mm

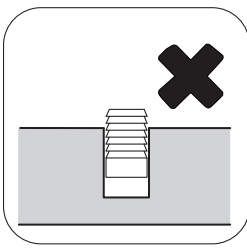
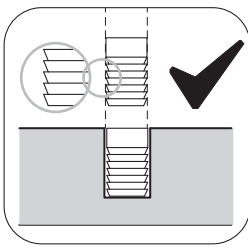
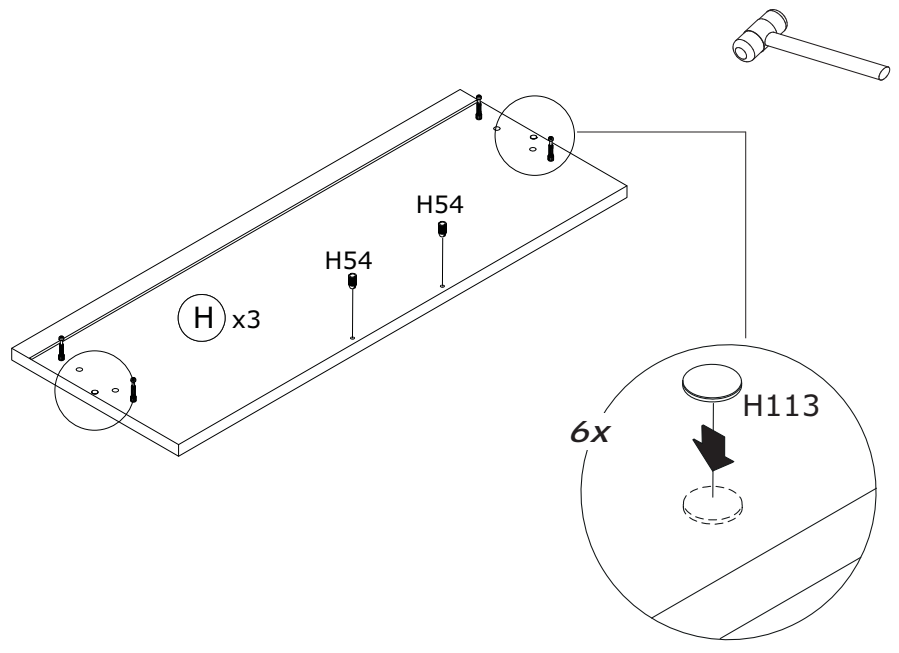
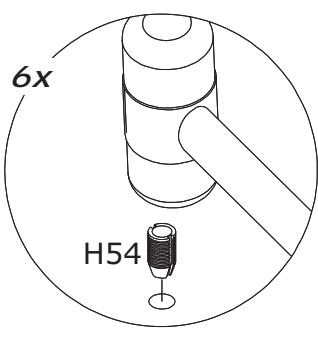


**FS2853**  
763x125x18mm

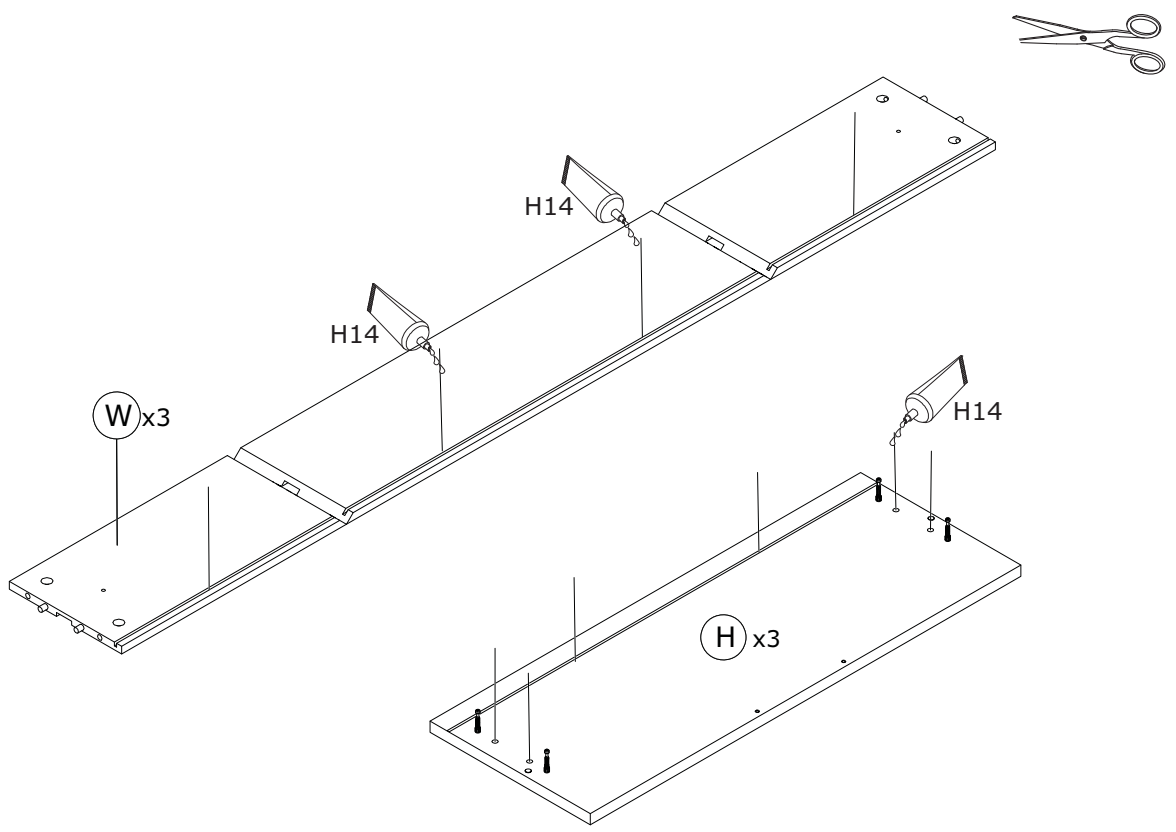
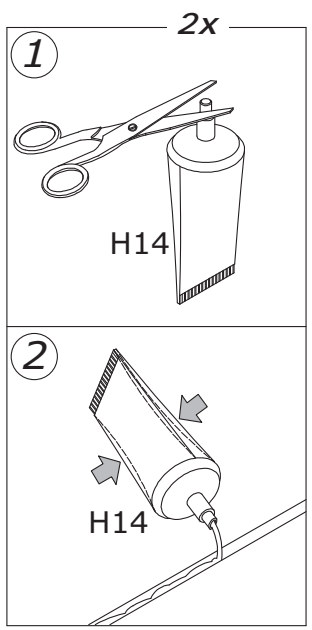
1



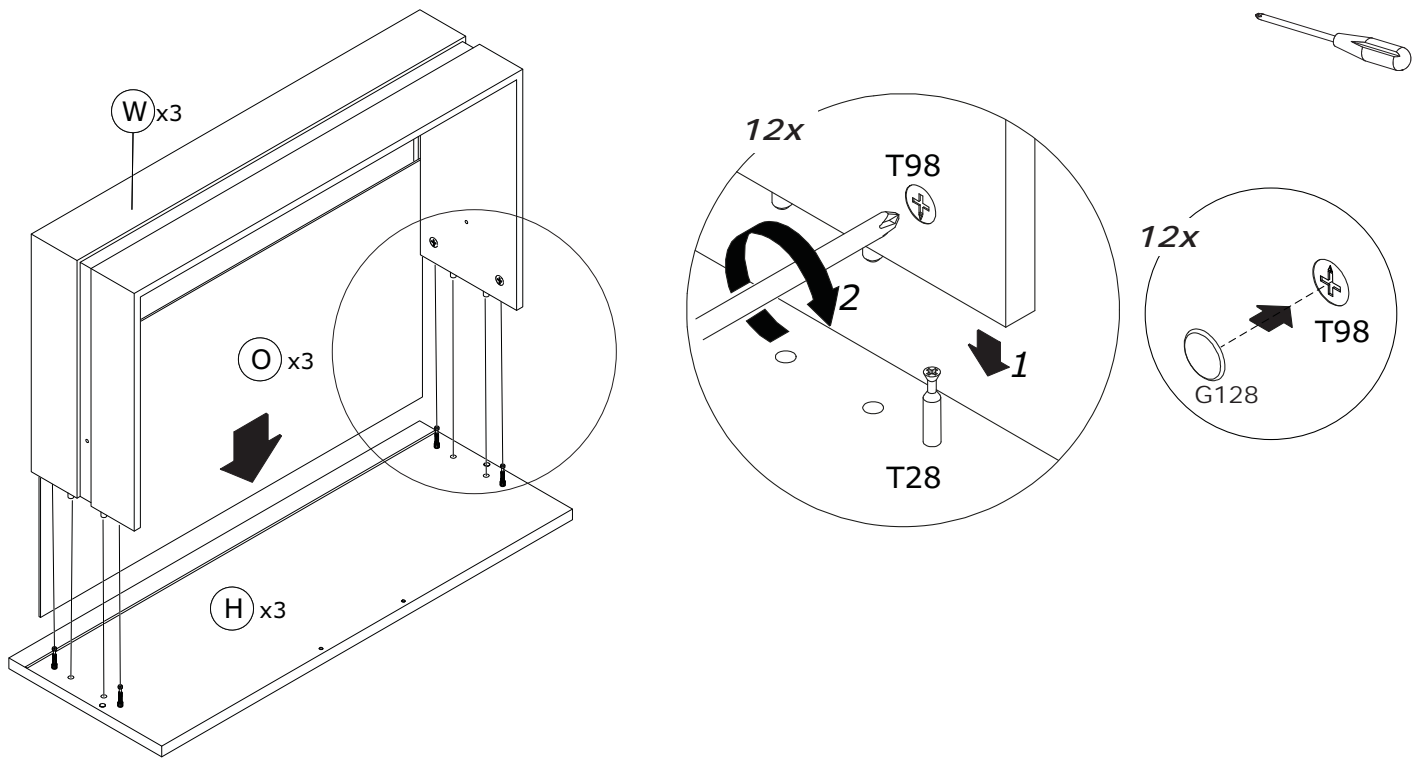
2



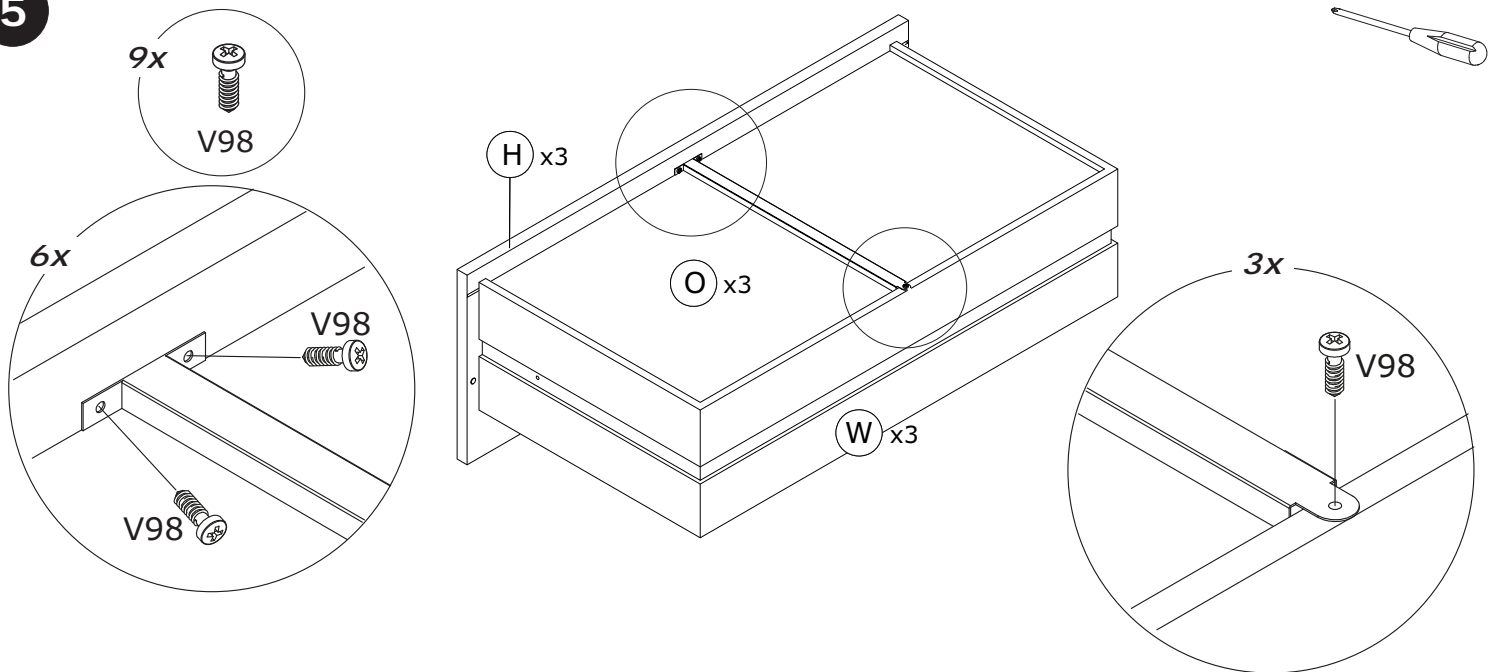
3



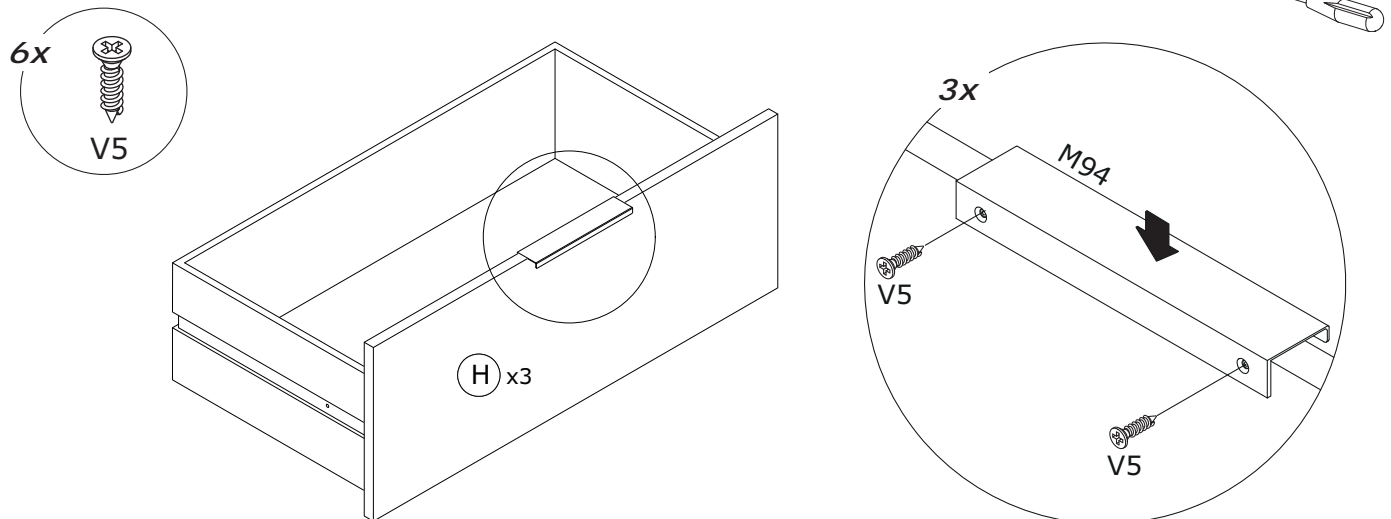
4



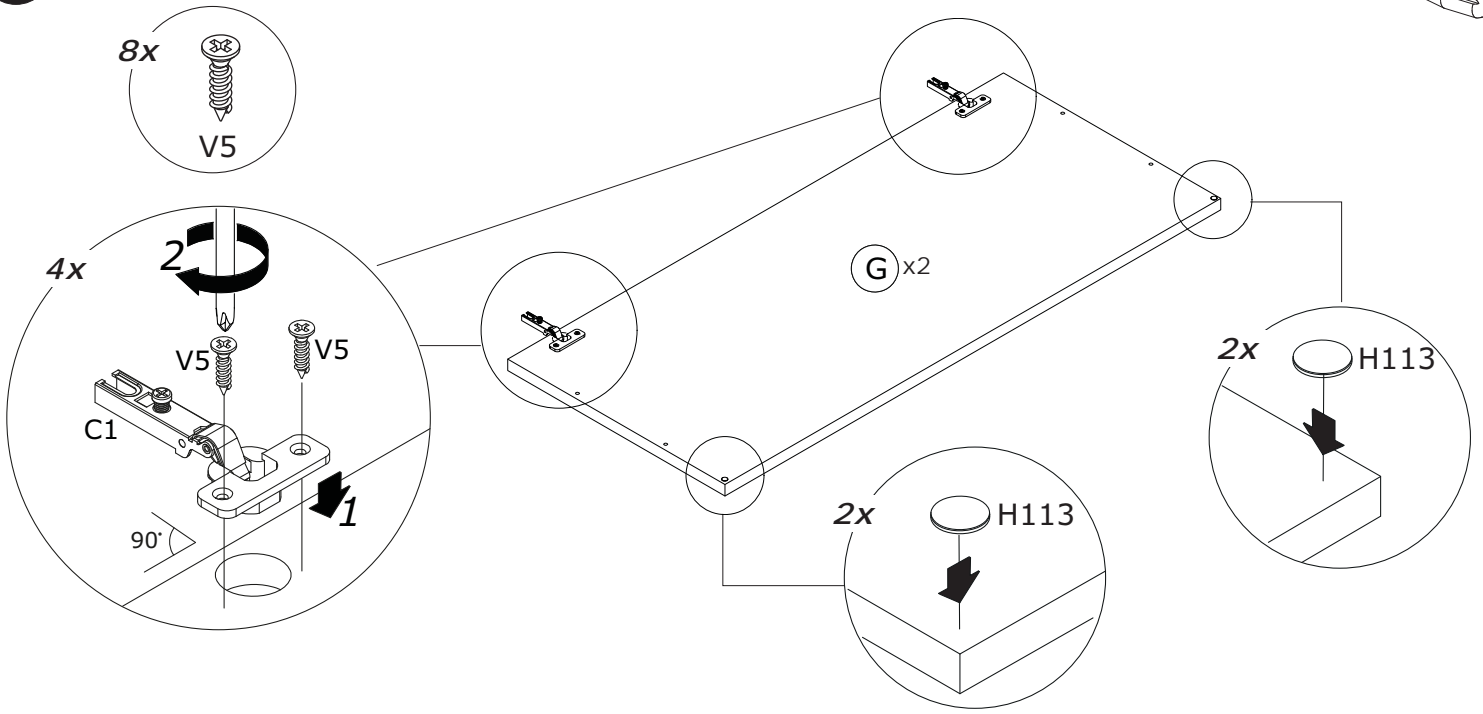
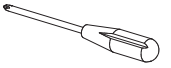
5



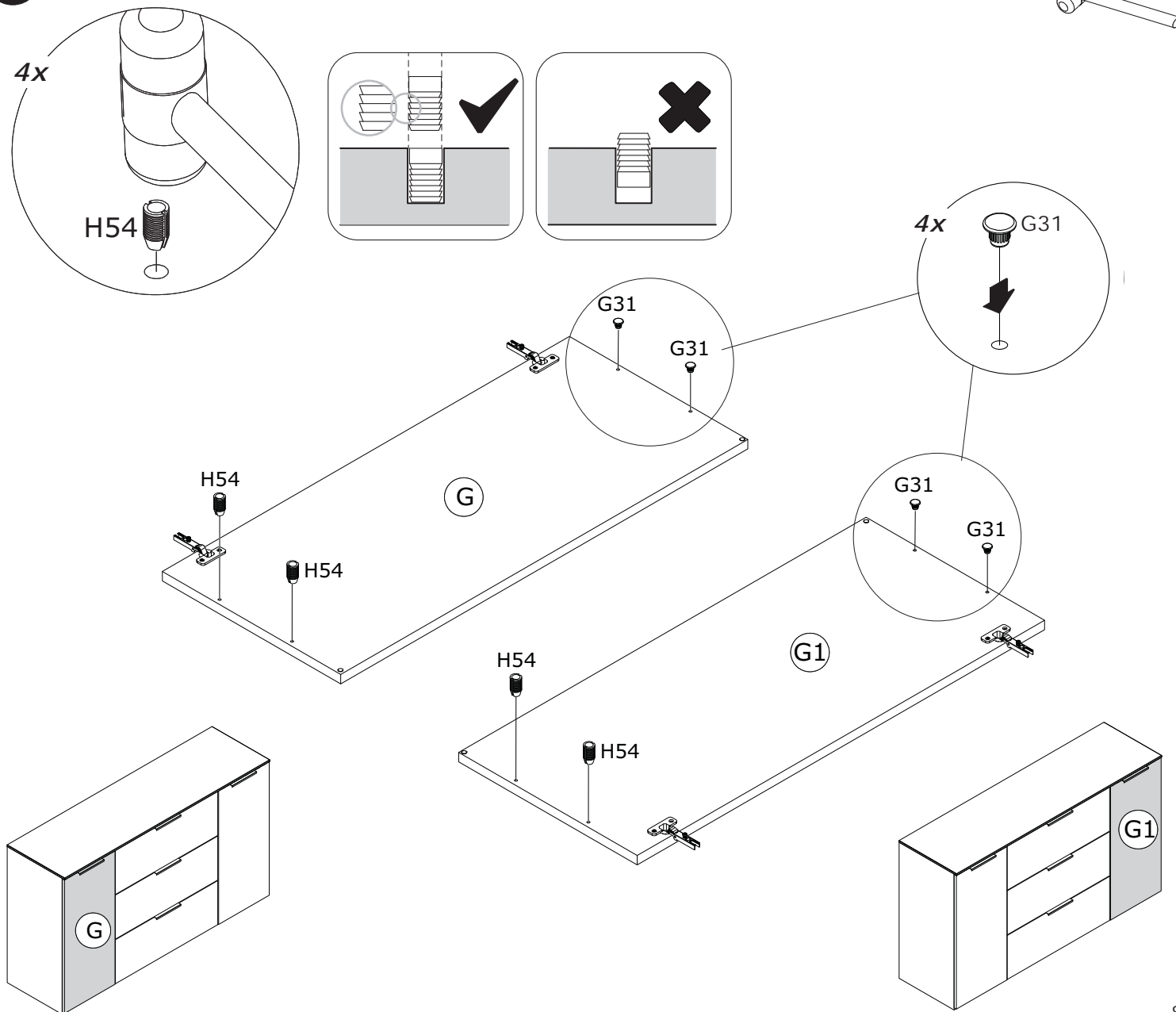
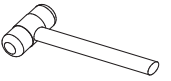
6



7

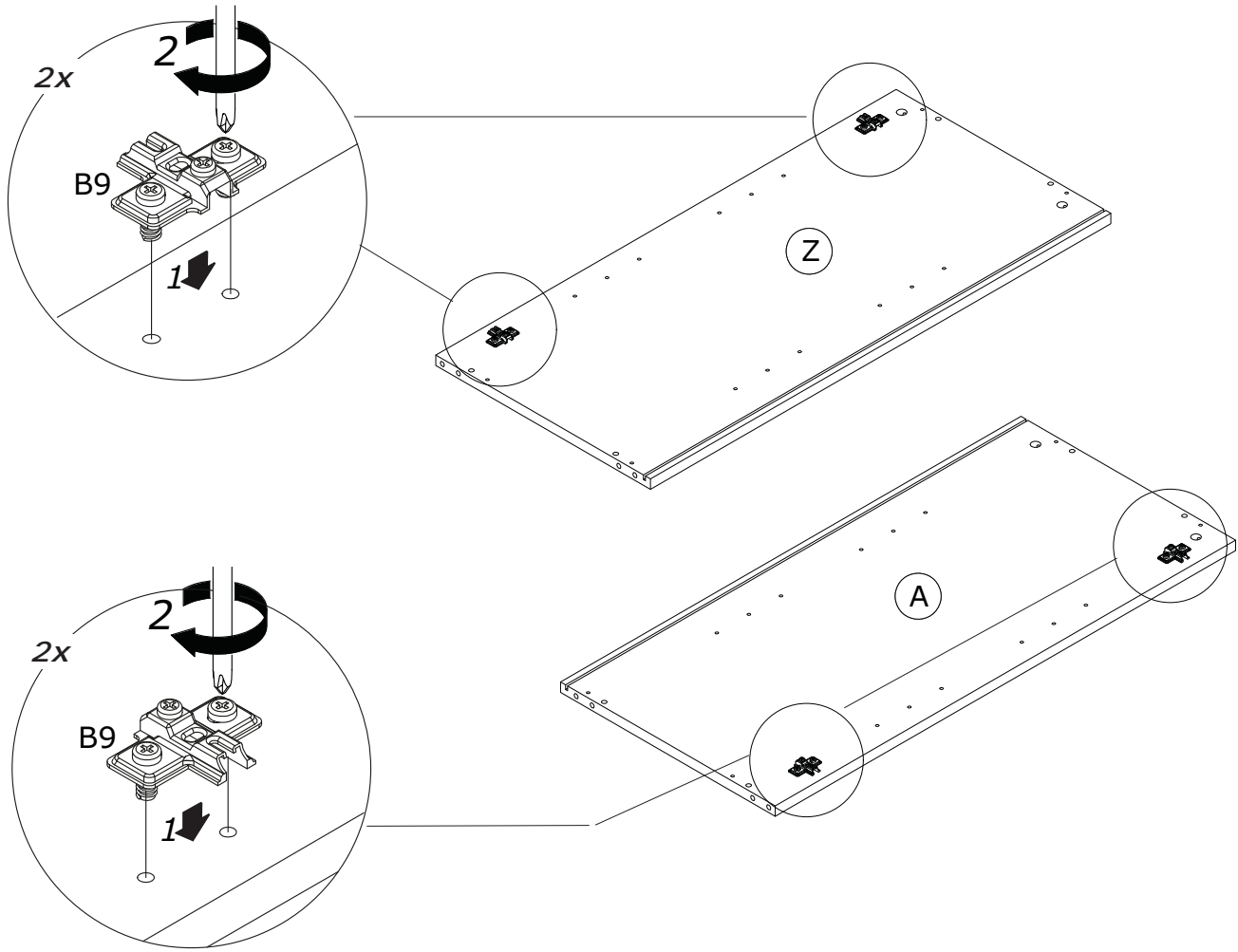
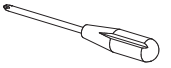


8

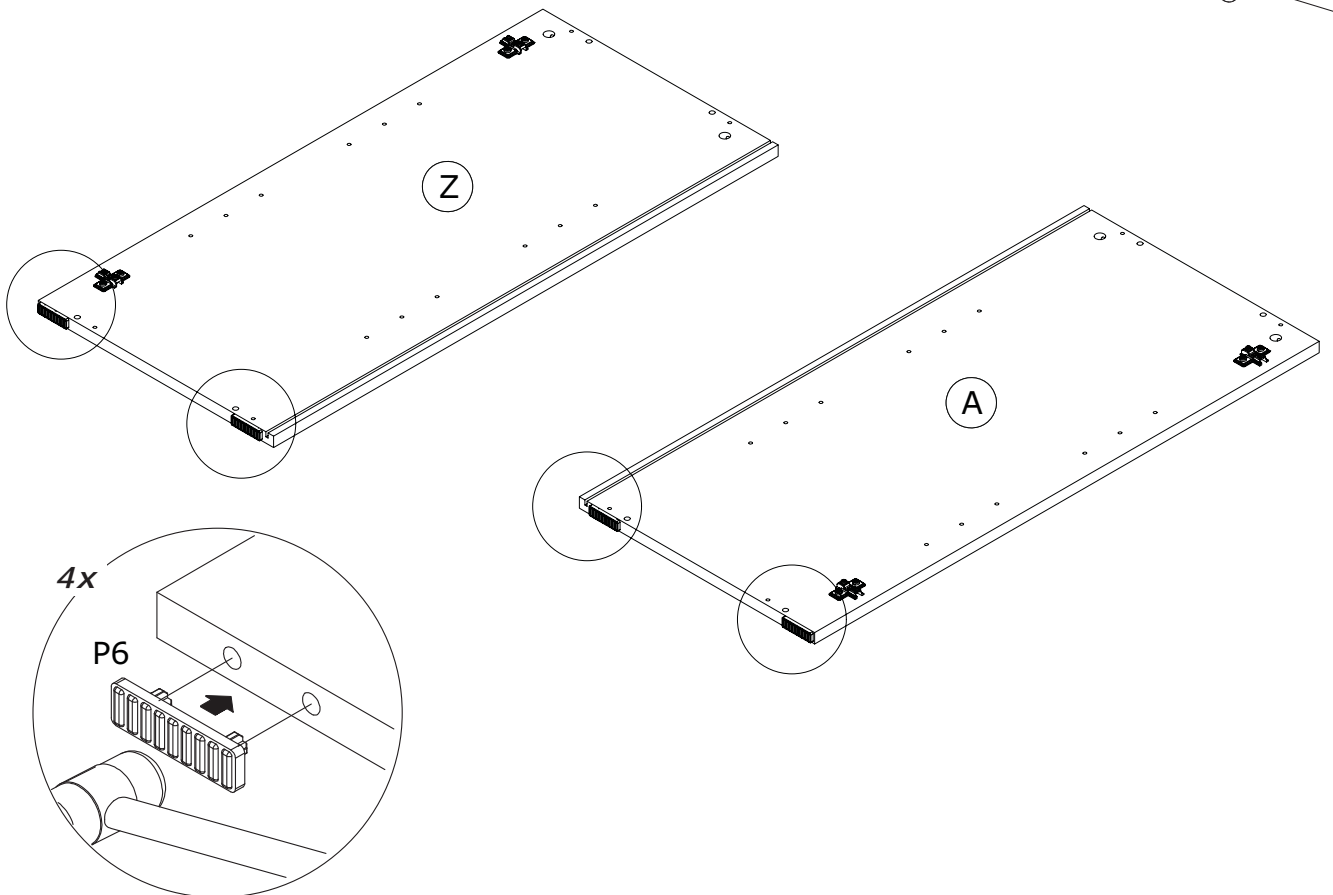
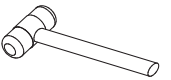




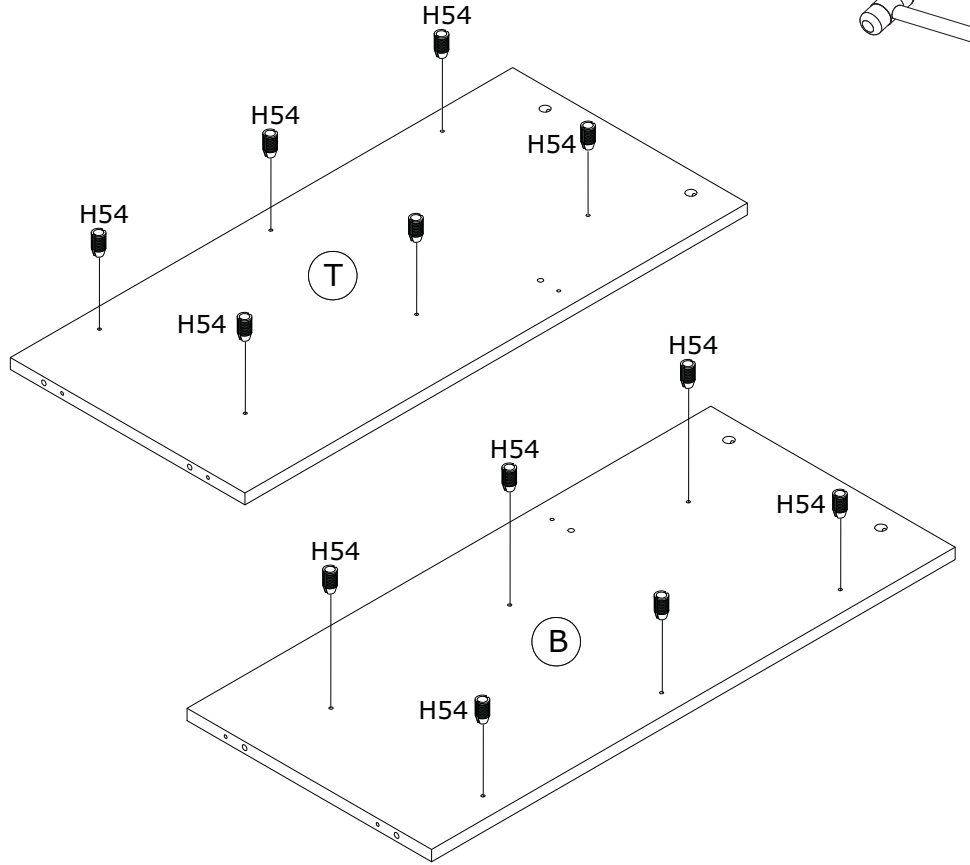
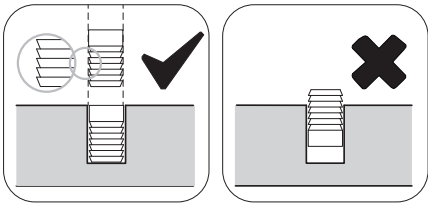
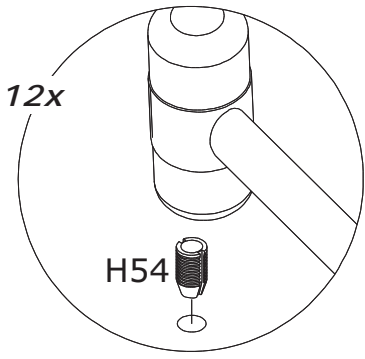
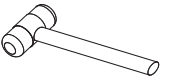
9



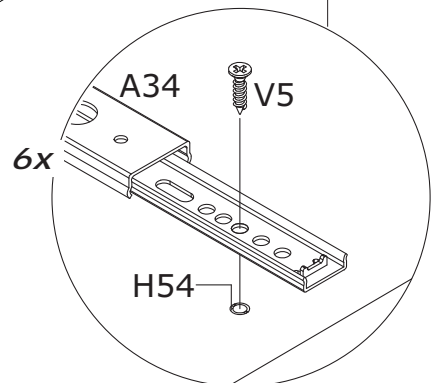
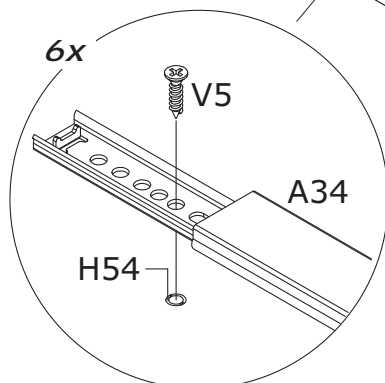
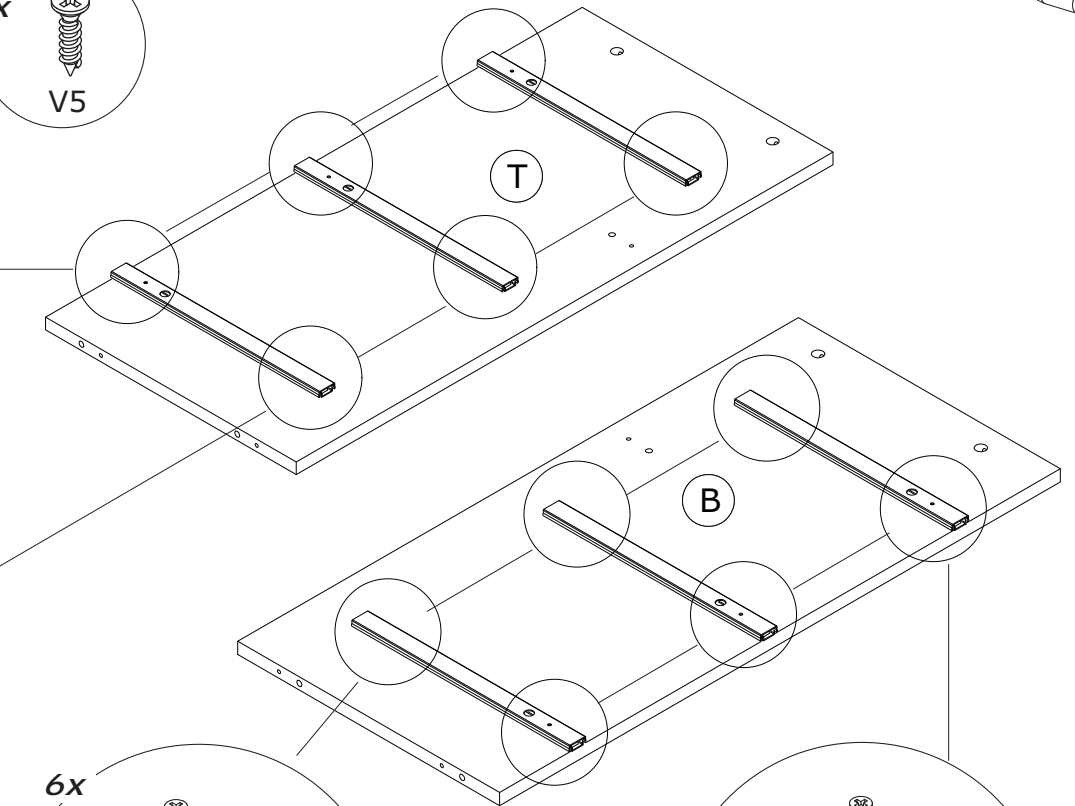
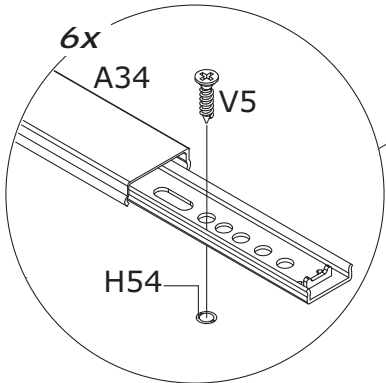
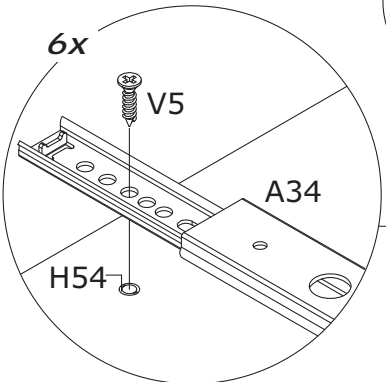
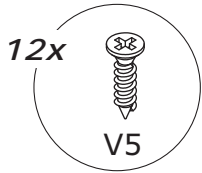
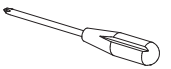
10

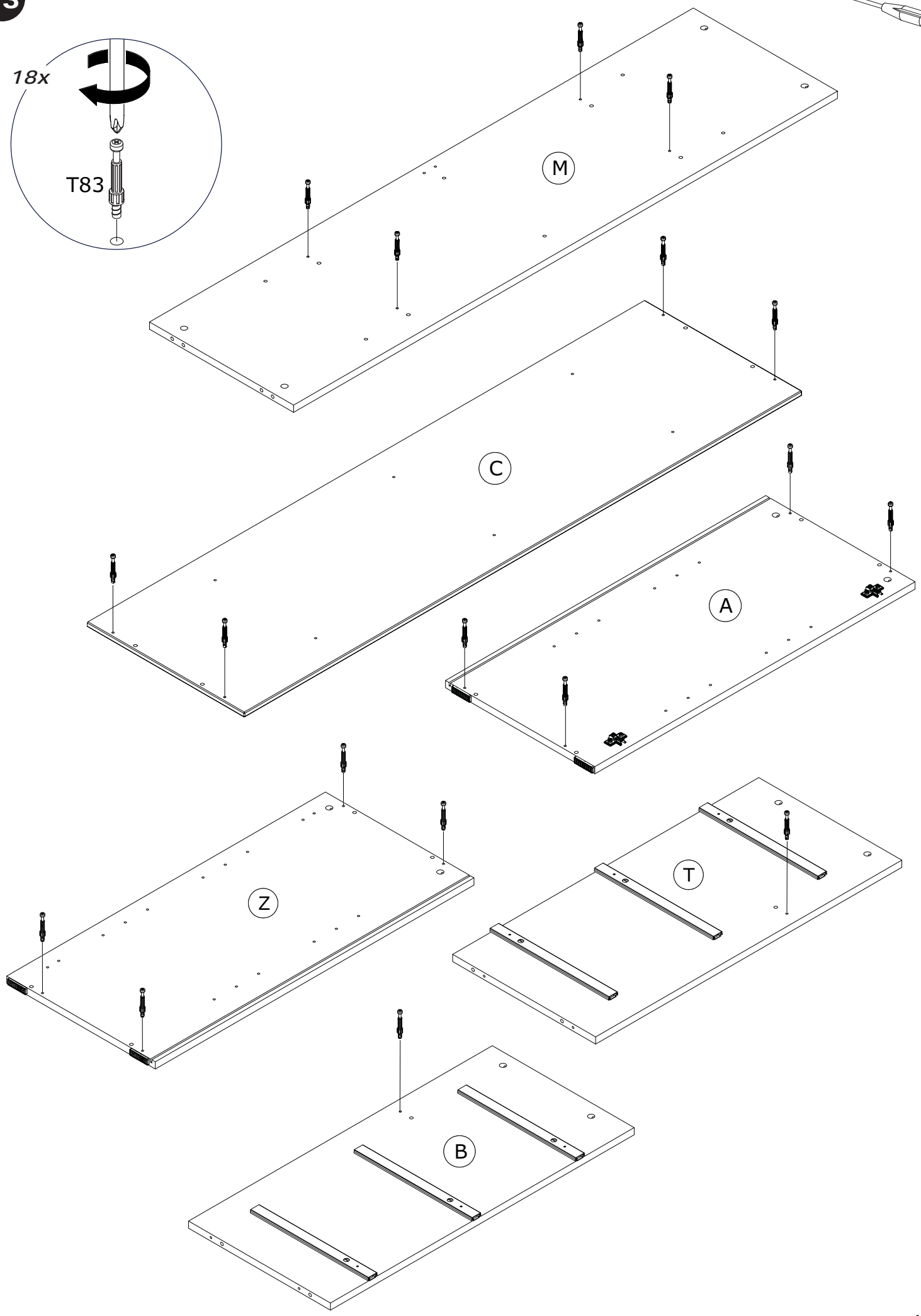
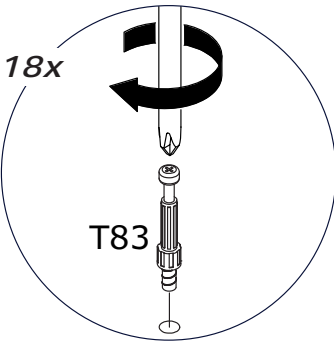
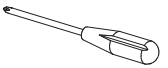


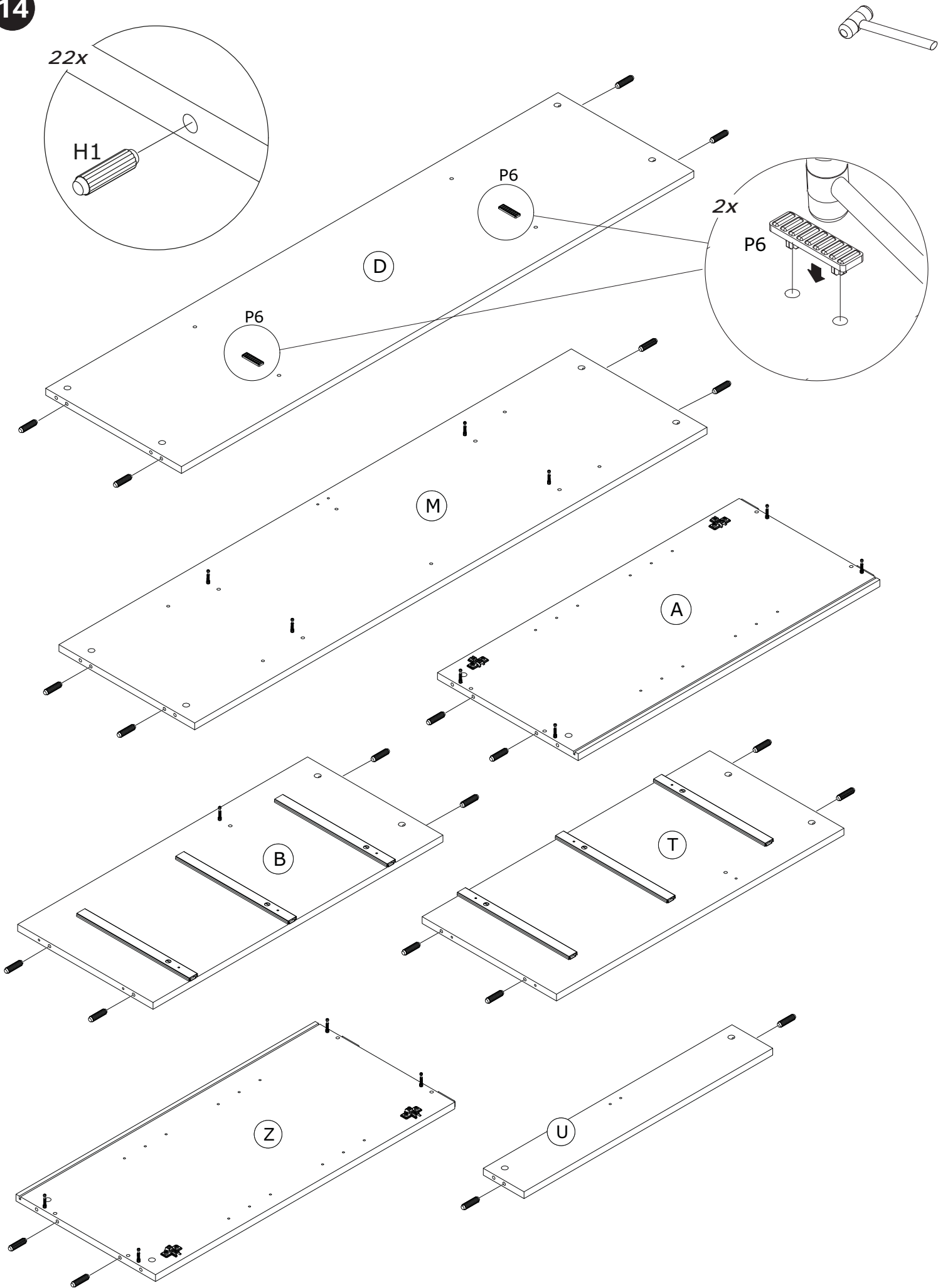
11



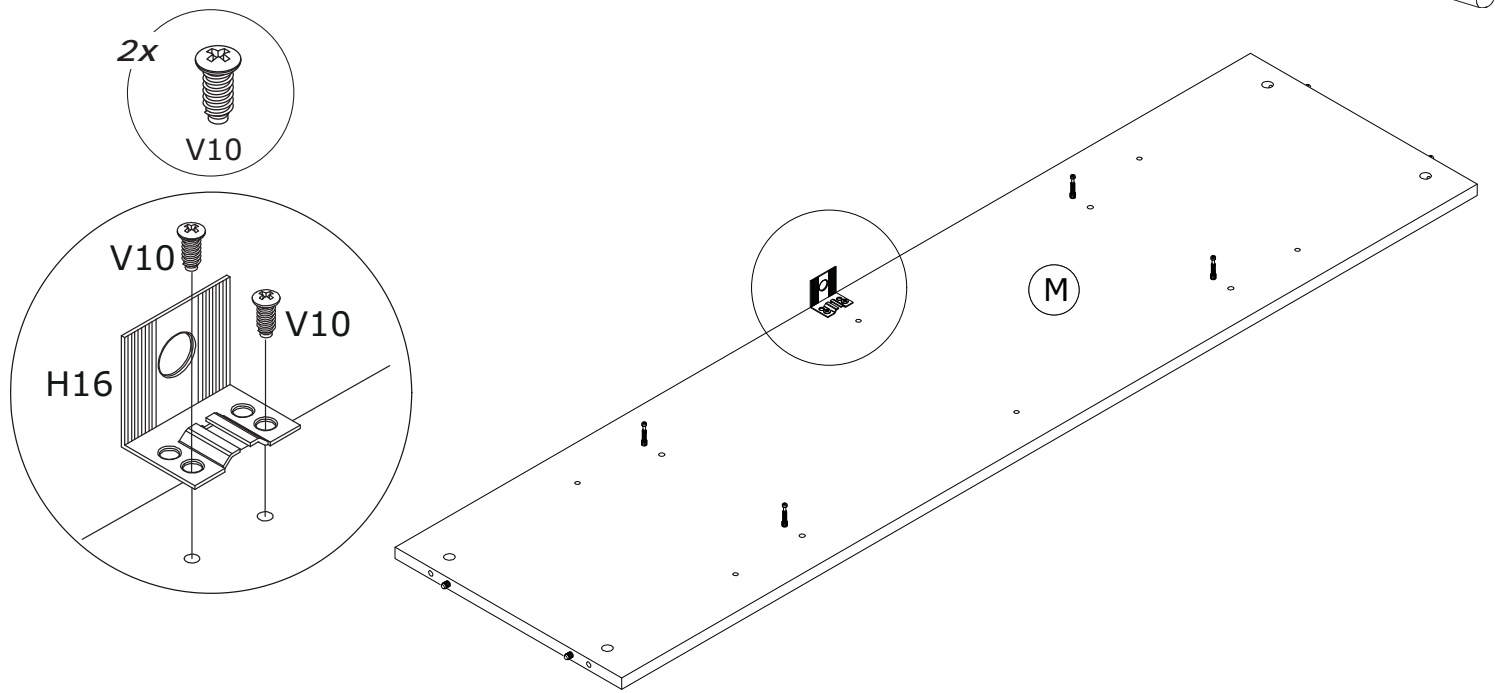
12



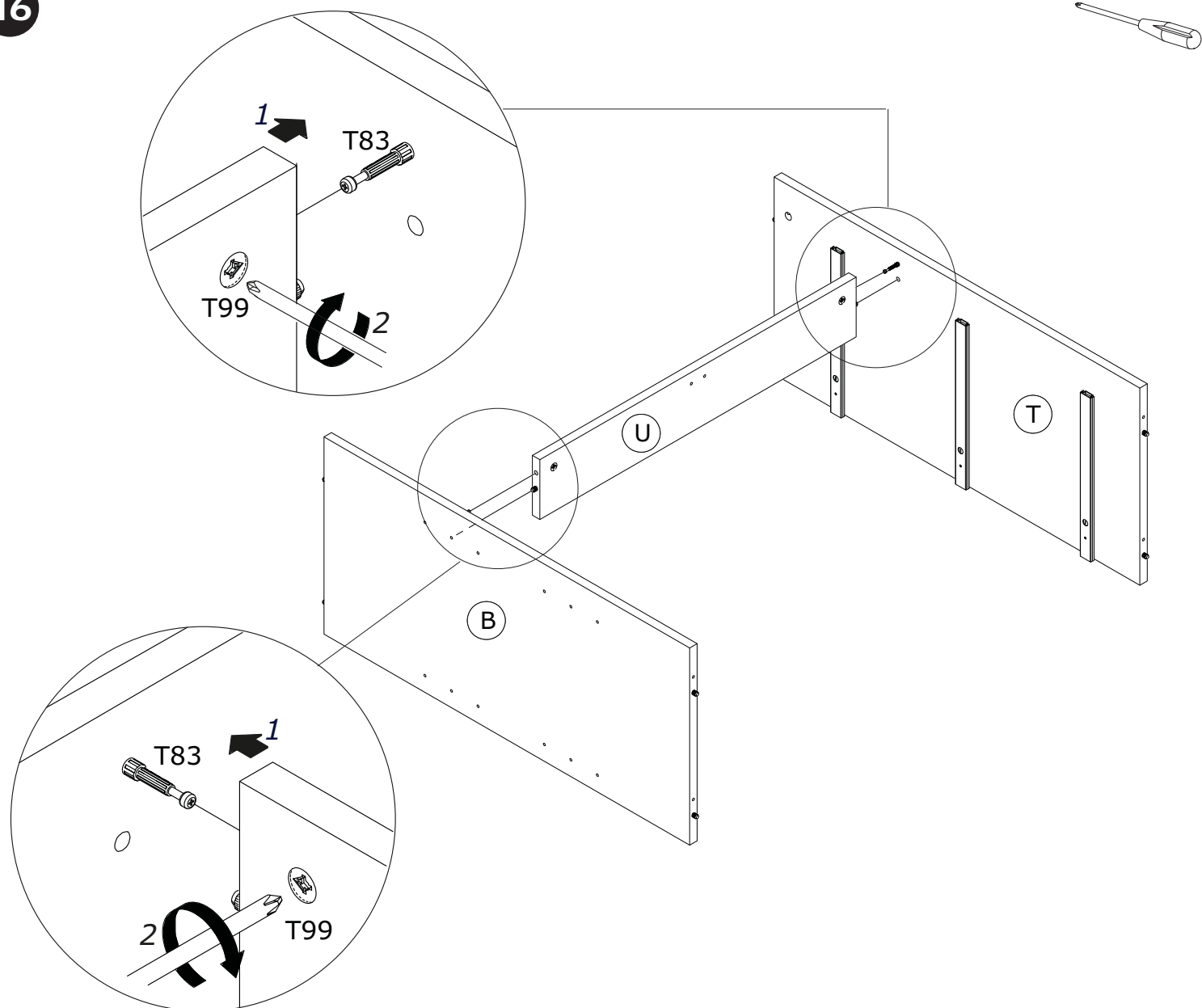


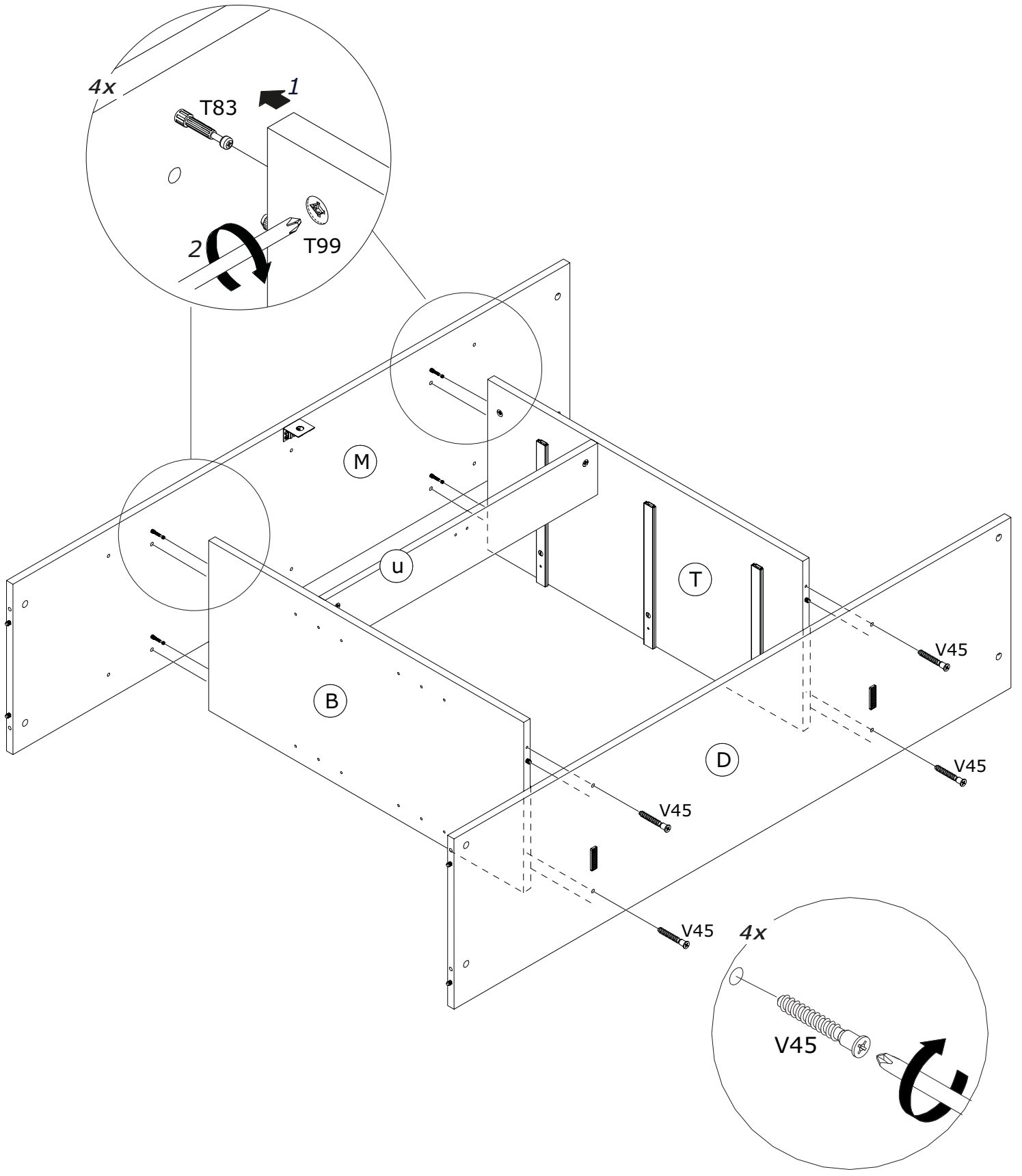
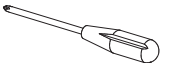


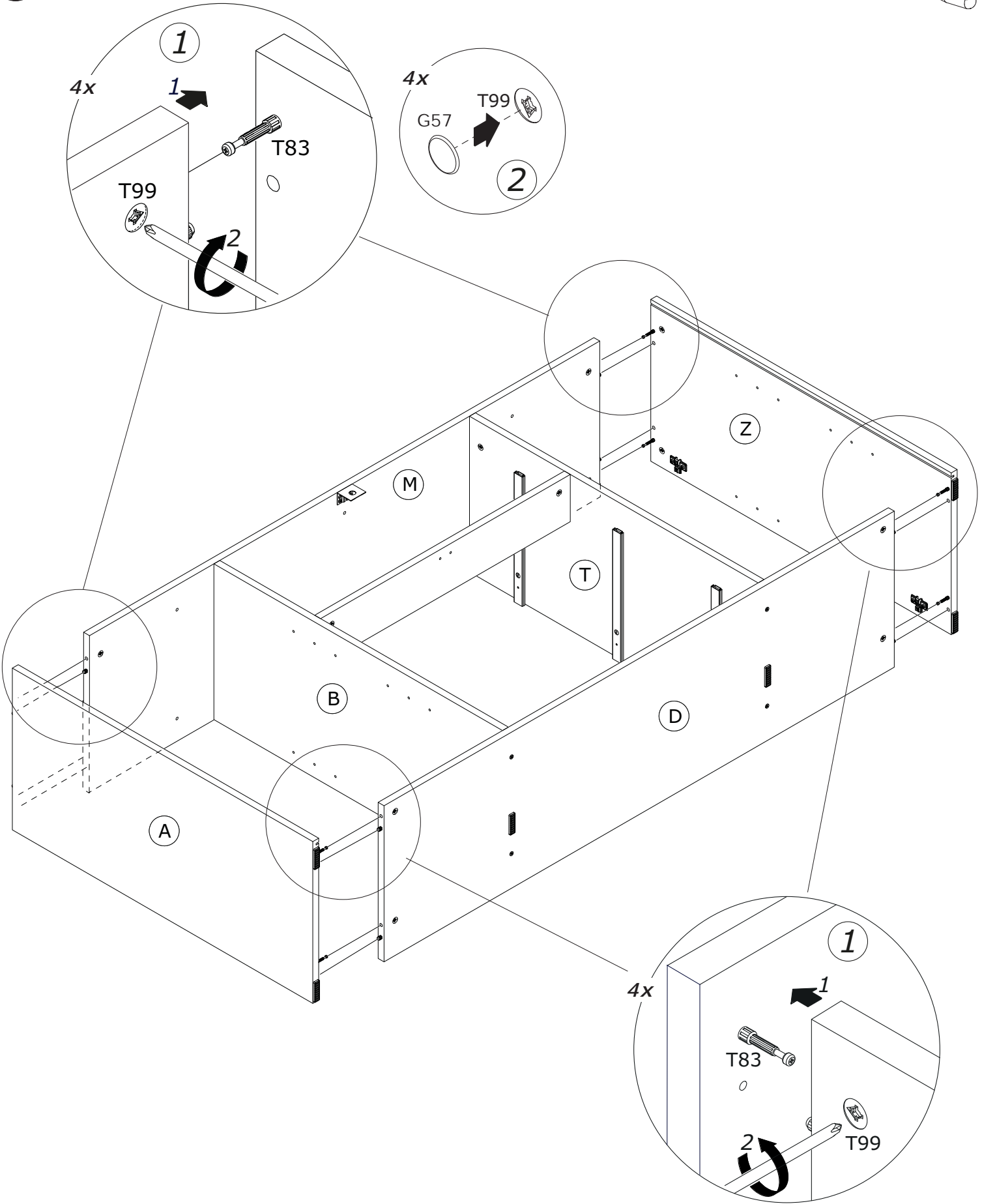
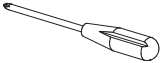
15

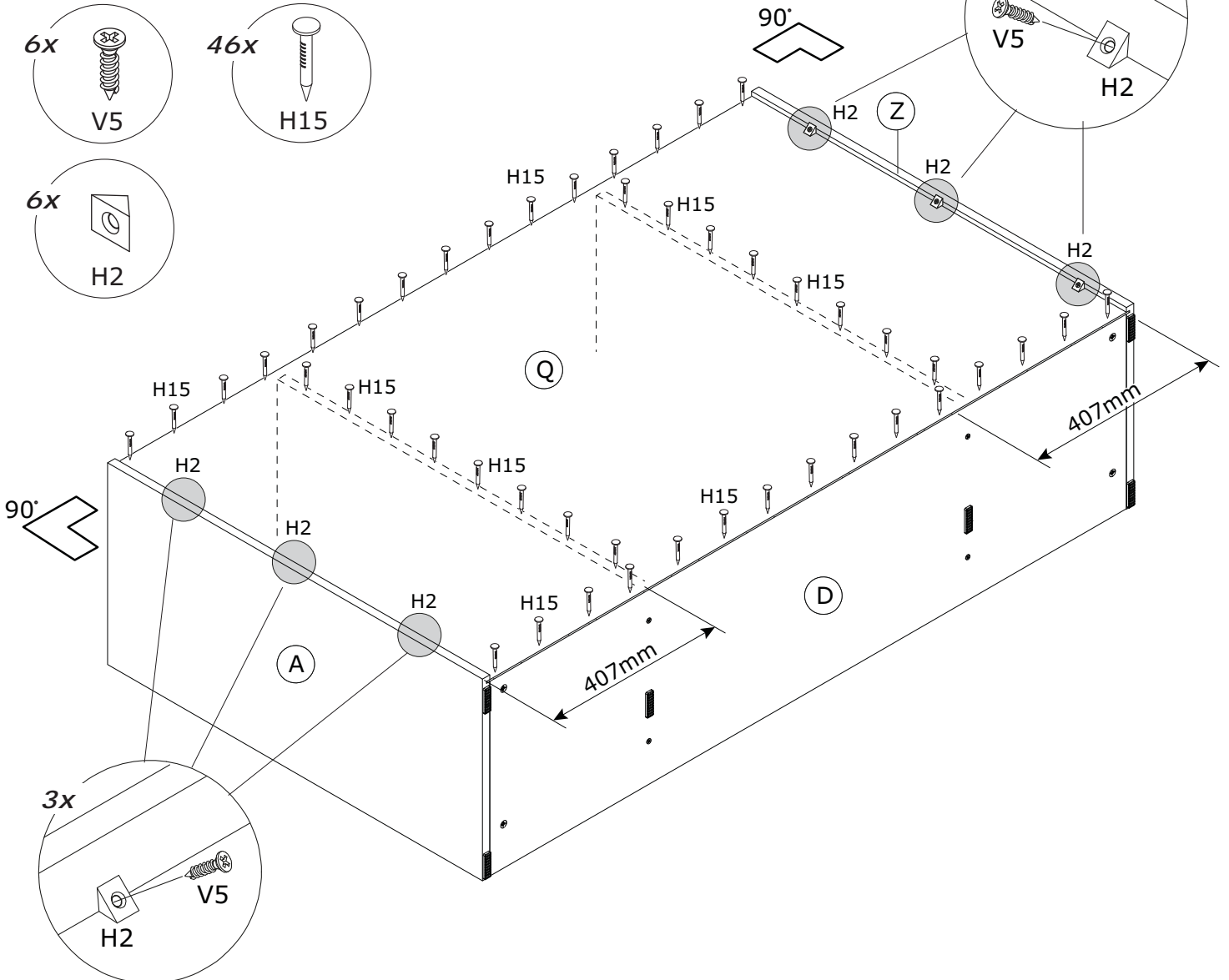
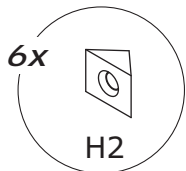
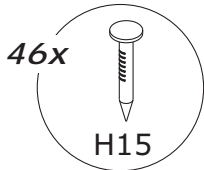
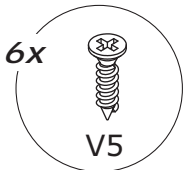
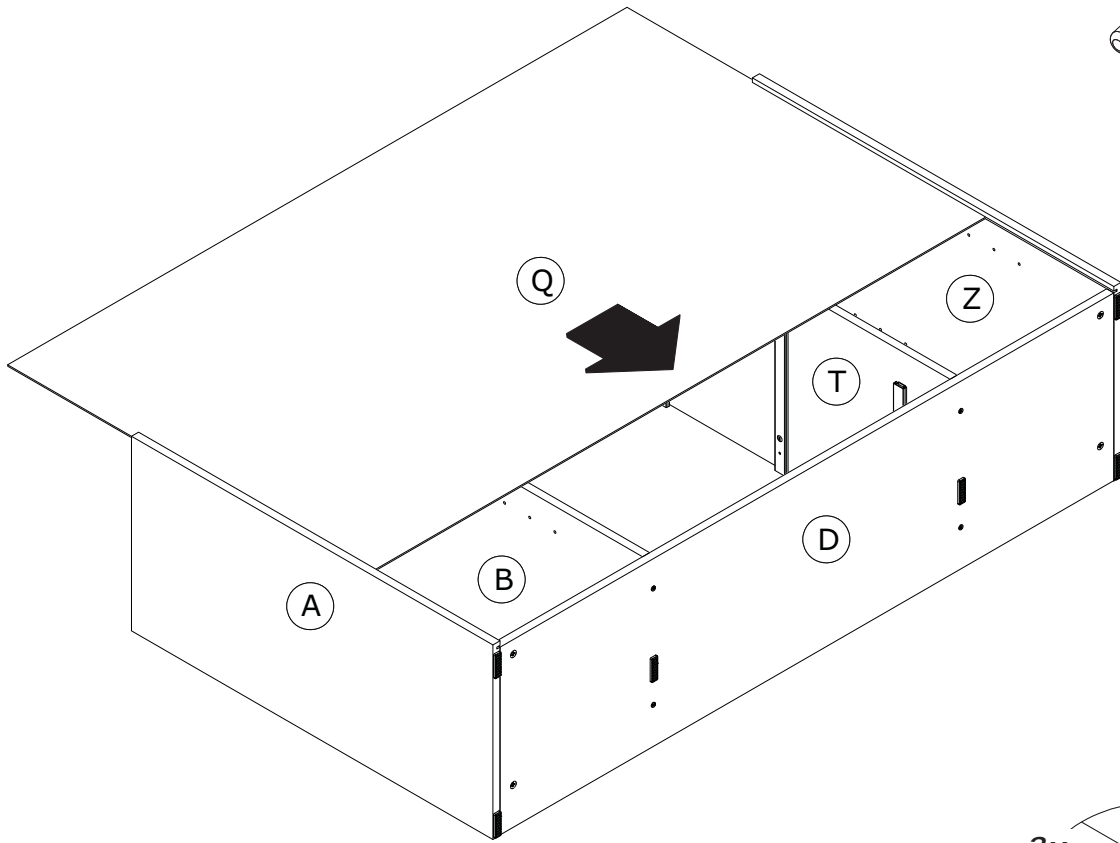
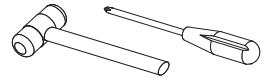


16

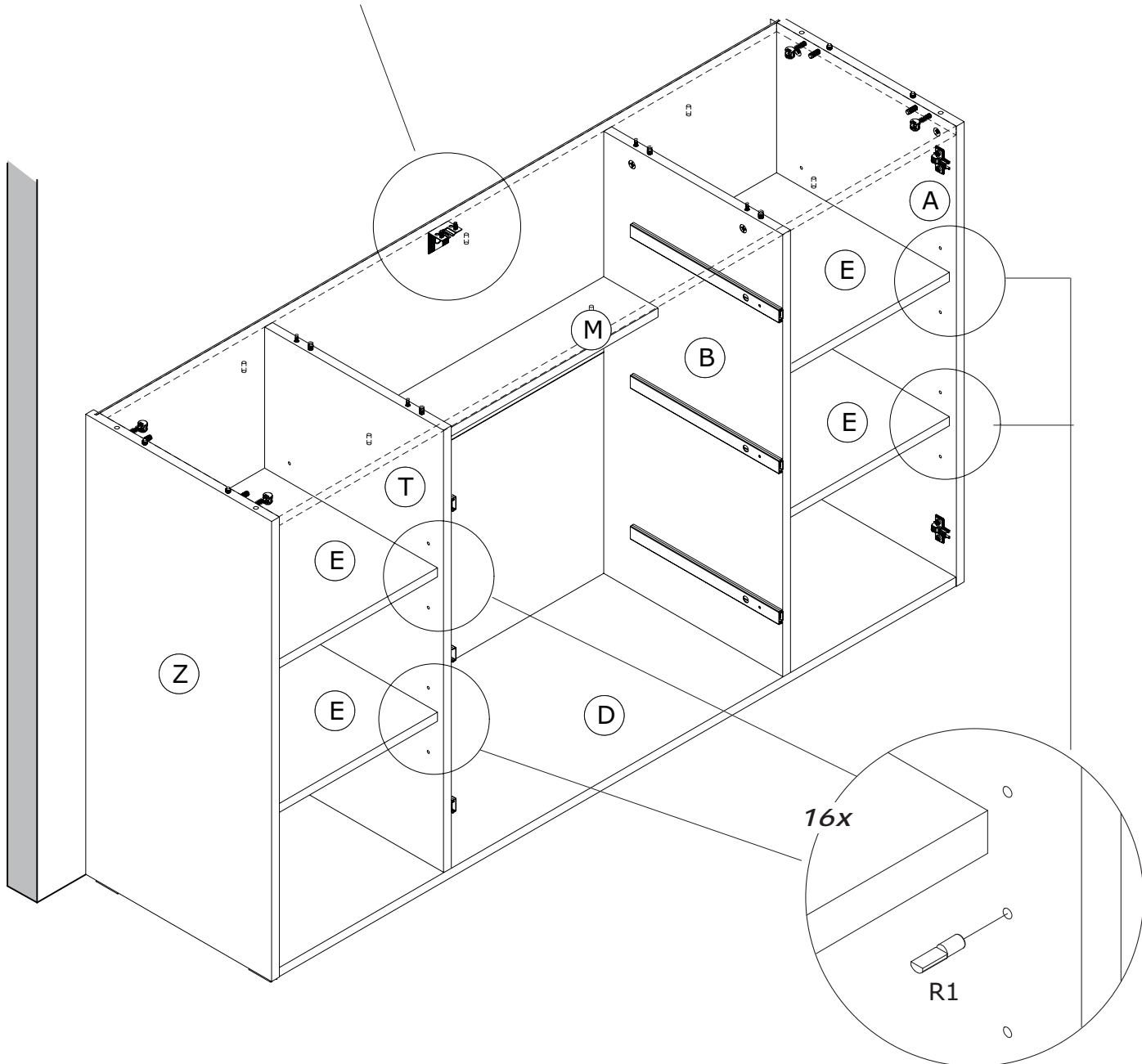
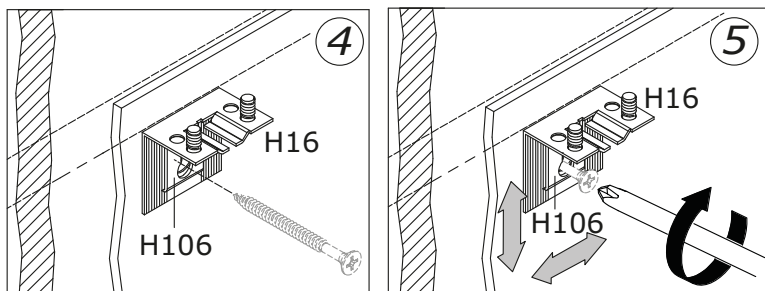
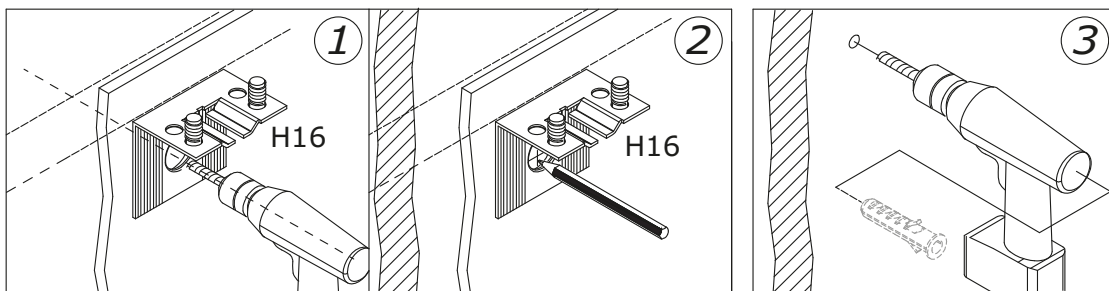
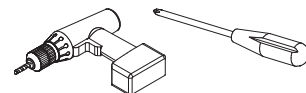


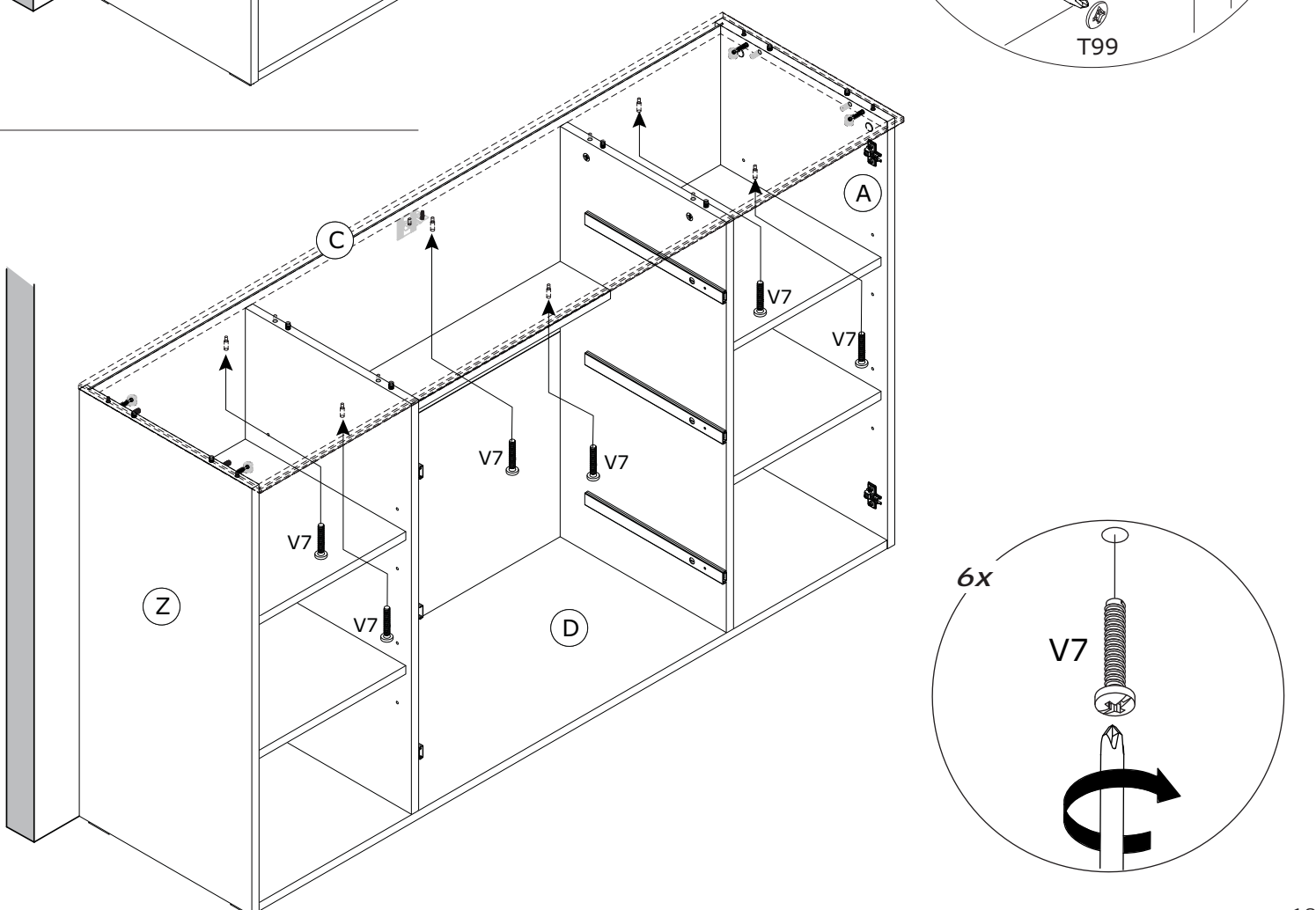
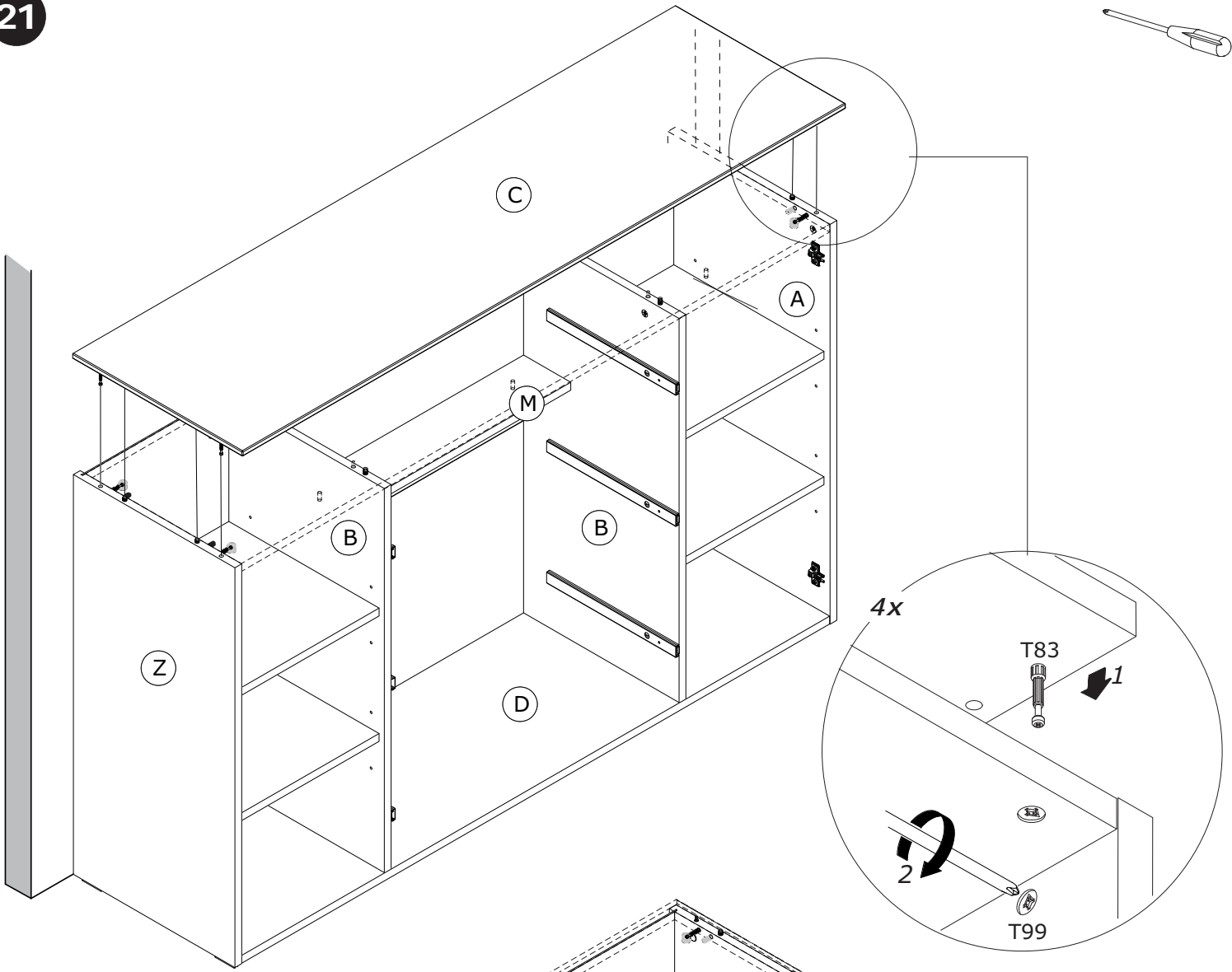
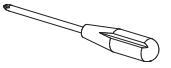


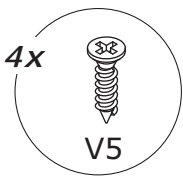
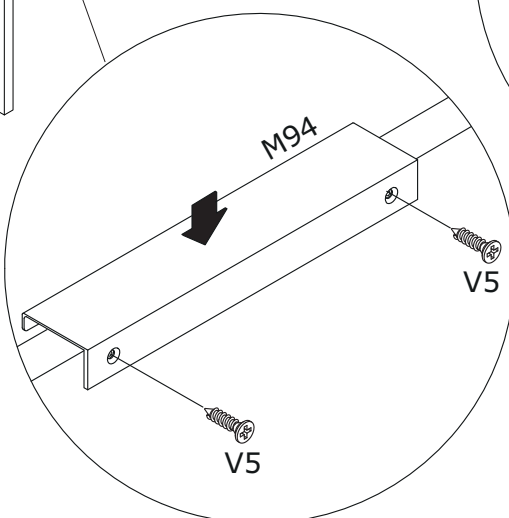
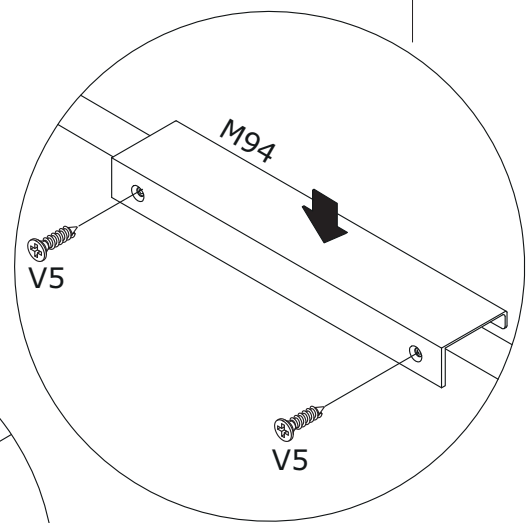
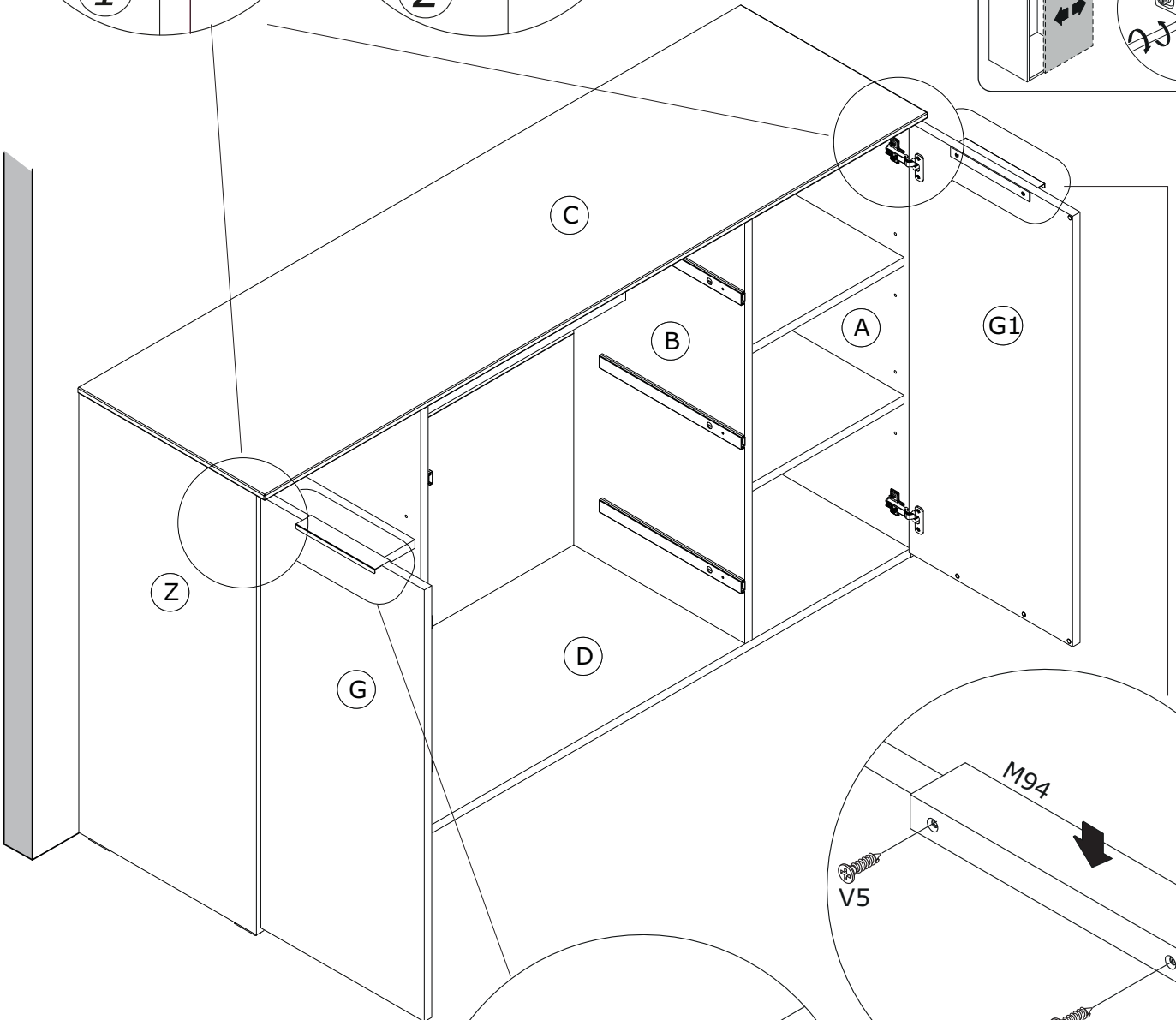
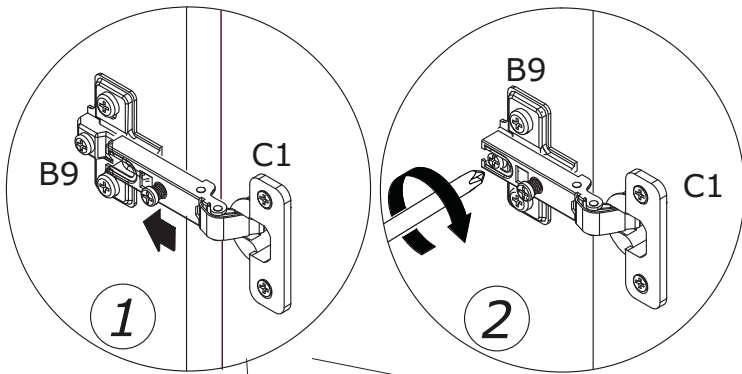
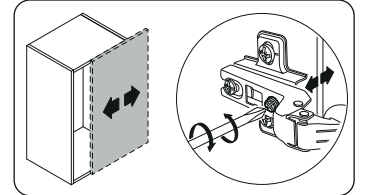
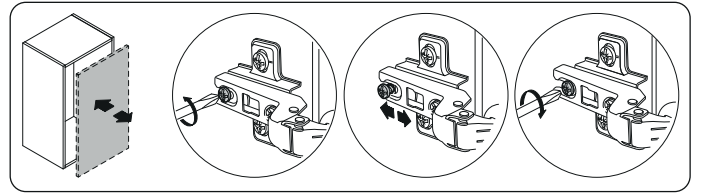
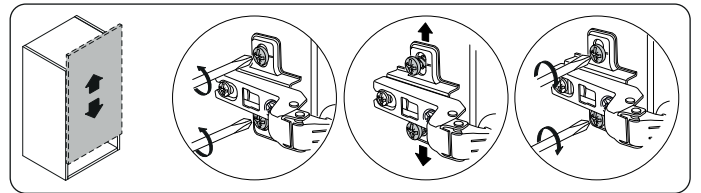
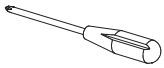


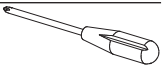




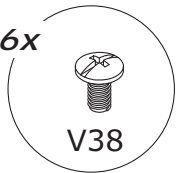








6x



V38

