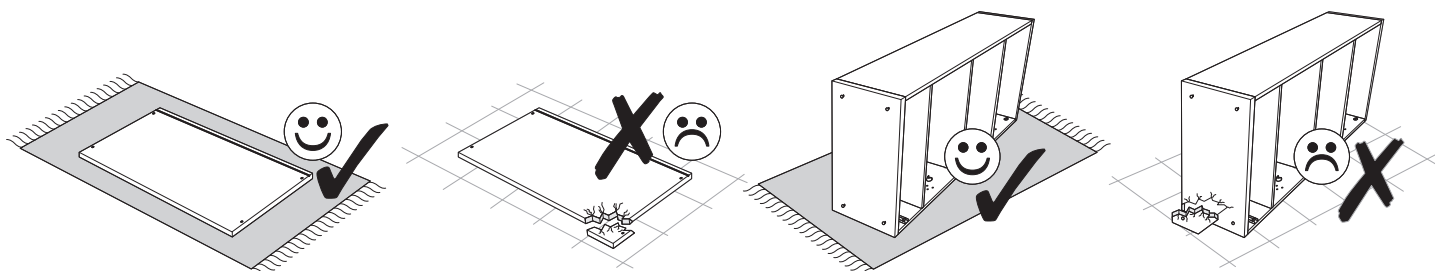
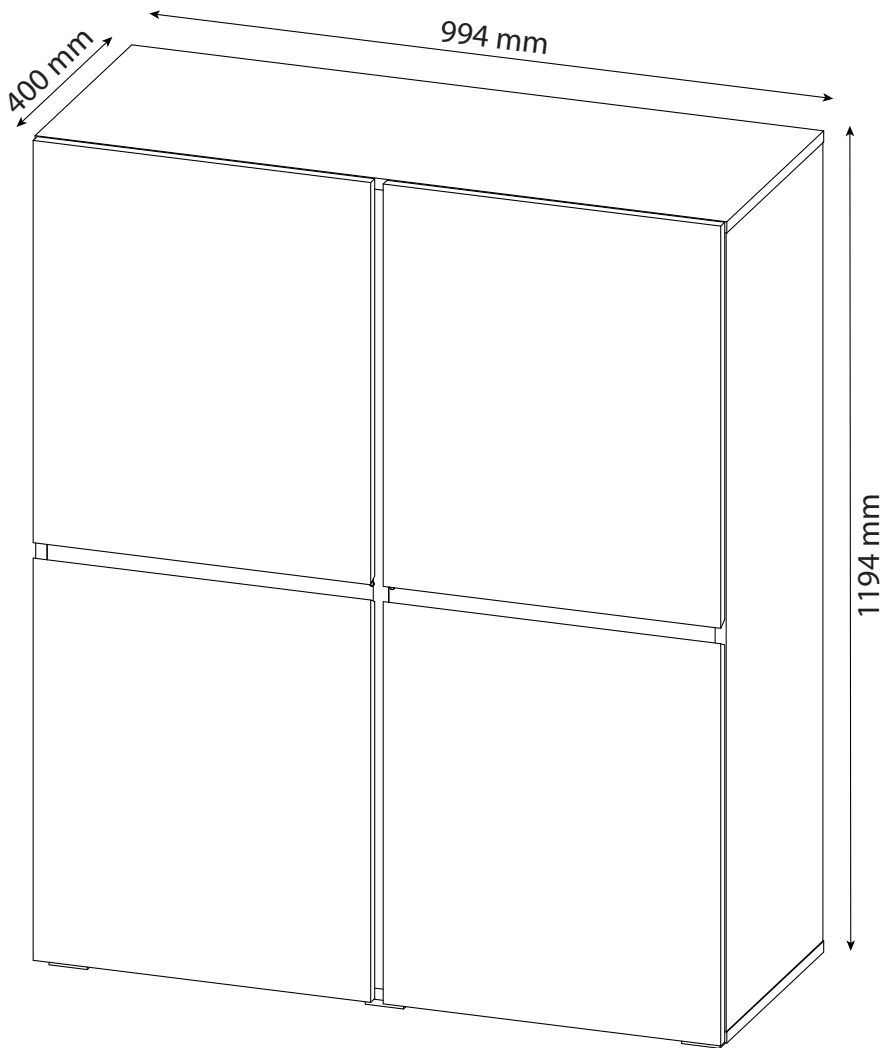
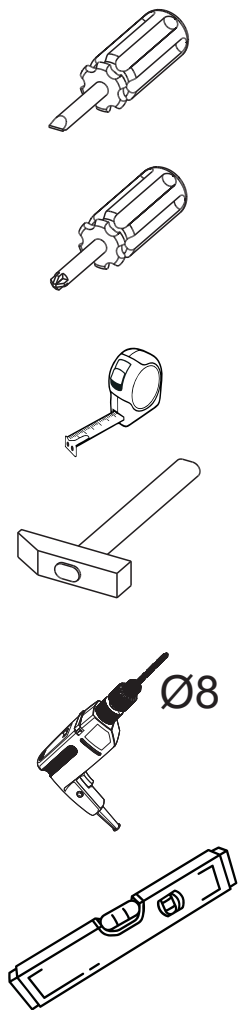
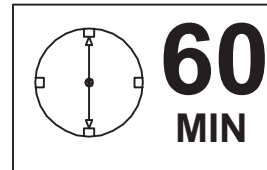
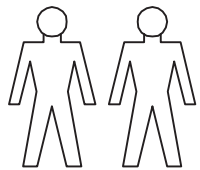
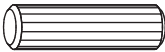


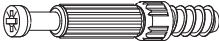
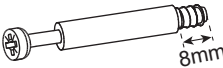



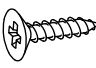
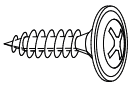

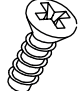
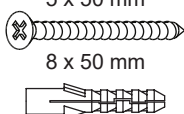
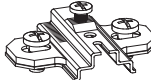
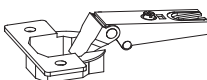


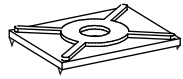
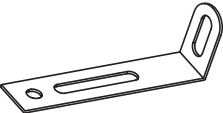
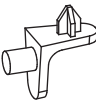
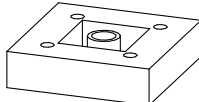

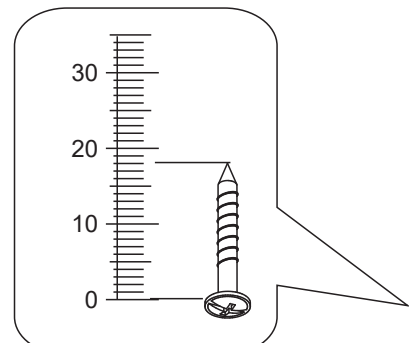
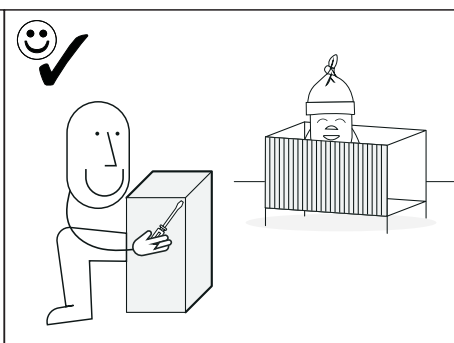
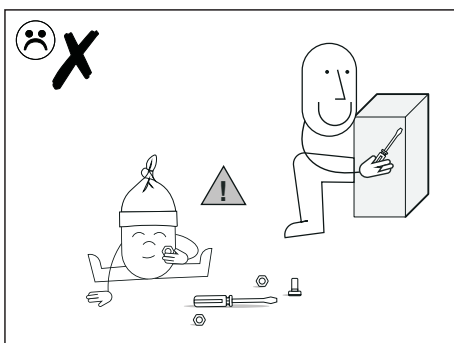
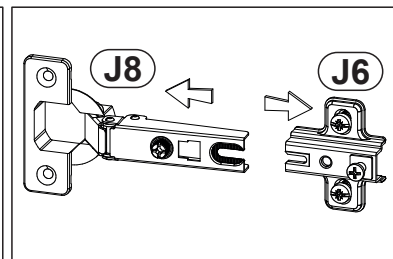
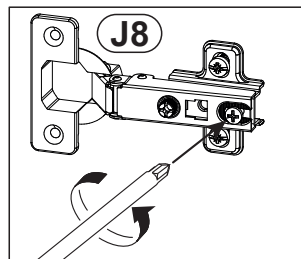
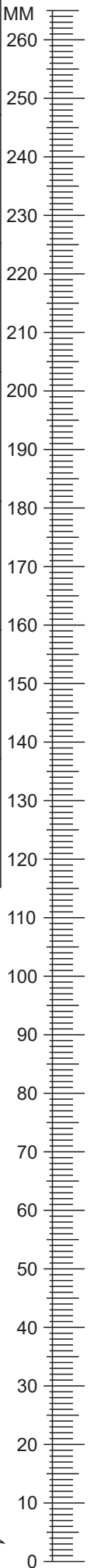


PADDY Highboard Typ 4T

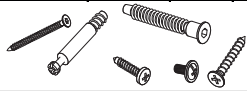
00030131/21
00030131/22
00030131/23

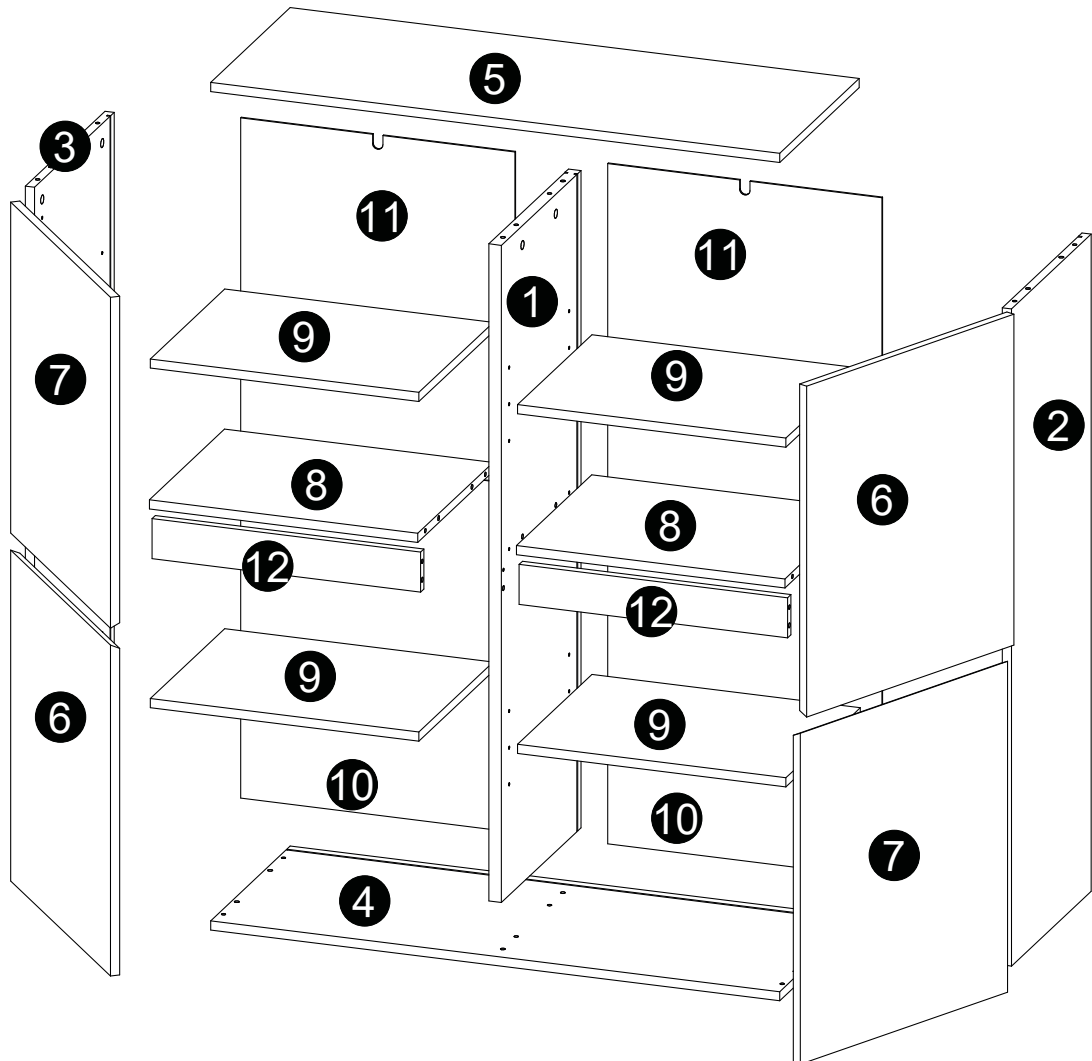
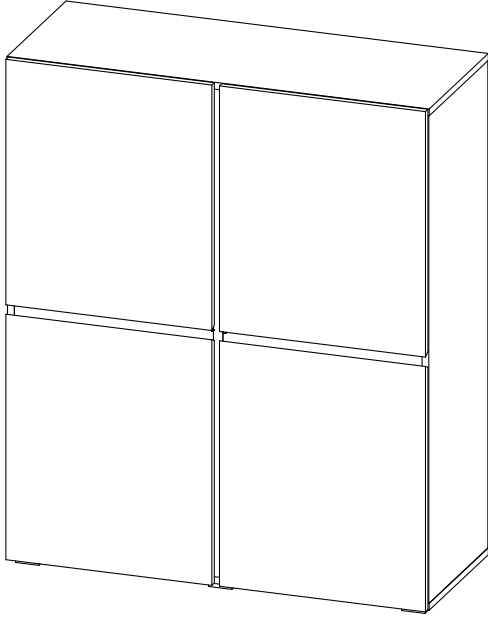


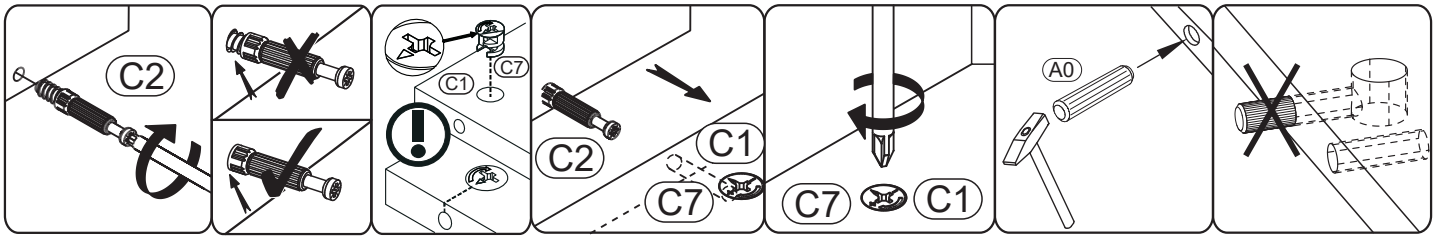
A0 8 x 30mm 	x24	B1 7x 50 mm 	x6	C0 	x6
C2 	x12	C6  8mm	x6	C7 16mm 	x16
C32 22mm 	x2	D0 3 x 15 mm 	x28	D10 4 x 16 mm 	x16
D8 4.2 x 13 mm 	x2	D12 3.5 x 25 mm 	x24	D21 5 x 13 mm 	x2
E0 5 x 50 mm 8 x 50 mm 	x2	J6 	x8	J8 	x8
K 4mm 	x1	M1 	x24	M3 	x4
P0 	x2	Q3 	x16	T5 	x6
U0 	x8				




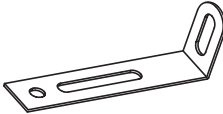
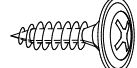

1	1148	382	22	1	2/2
2	1148	382	16	1	2/2
3	1148	382	16	1	2/2
4	994	382	16	1	2/2
5	994	382	16	1	2/2
6	578	485	16	2	1/2

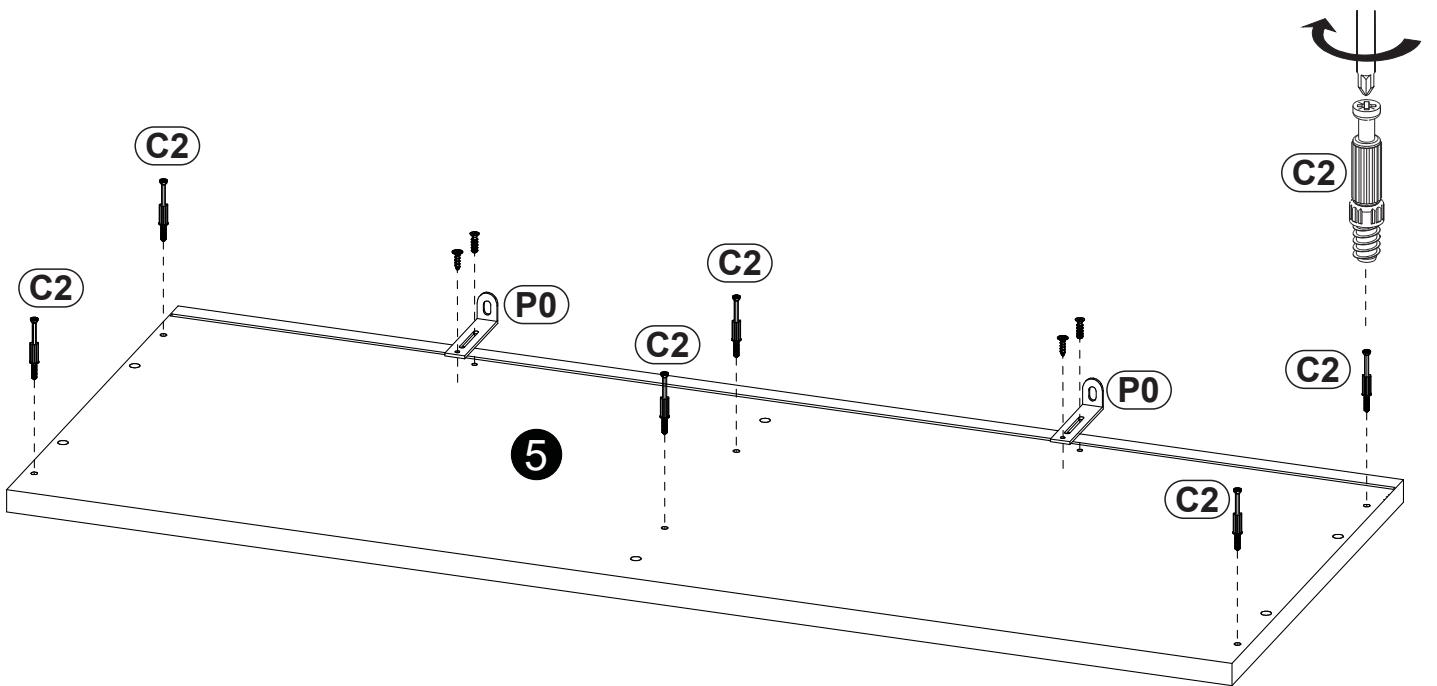
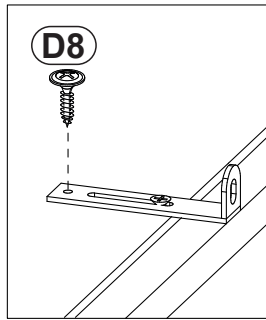
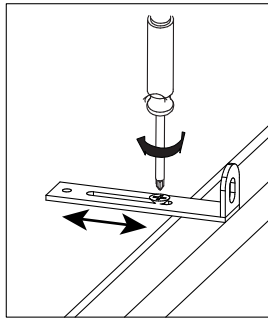
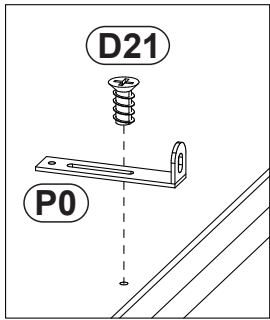
7	578	485	16	2	1/2
8	469	361	16	2	1/2
9	469	357	16	4	1/2
10	608	479	3	2	1/2
11	548	479	3	2	1/2
12	469	70	16	2	1/2
					1/2




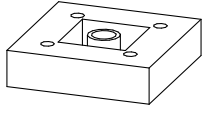


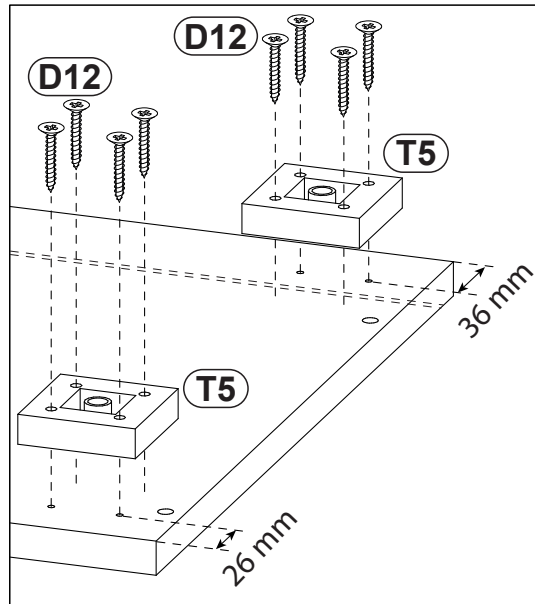
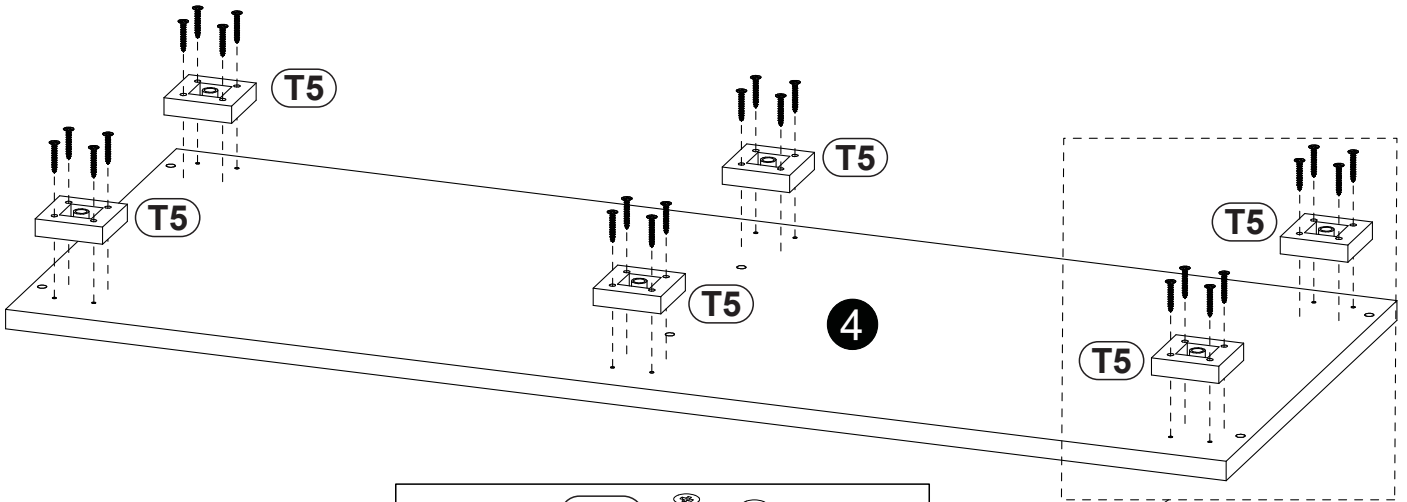
1

<p>C2 x6</p> 	<p>P0 x2</p> 	<p>D8 4.2 x 13 mm x2</p> 
<p>D21 5 x 13 mm x2</p> 		





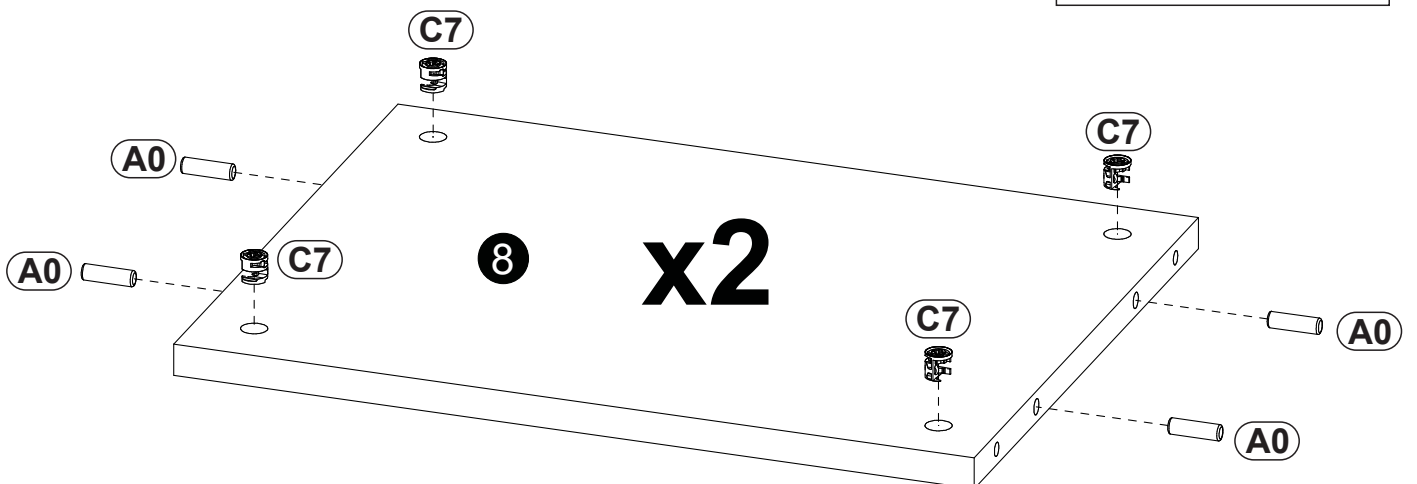
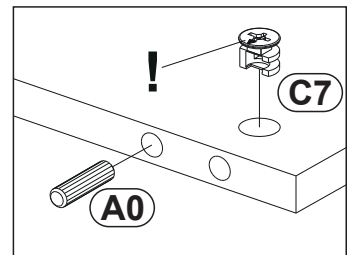
2

(D12) 3.5 x 25 mm 	x24	(T5) 	x6
--	------------	--	-----------

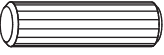


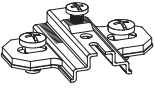



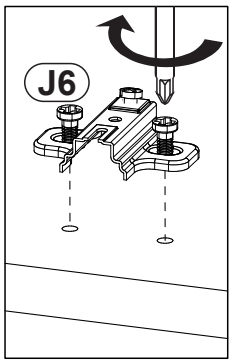
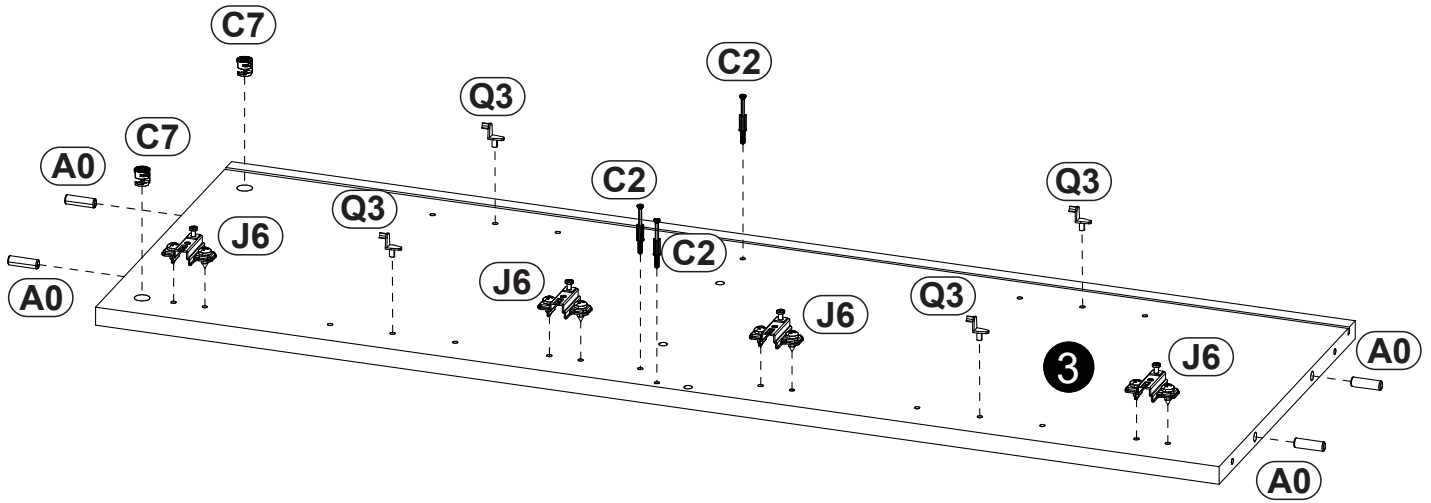
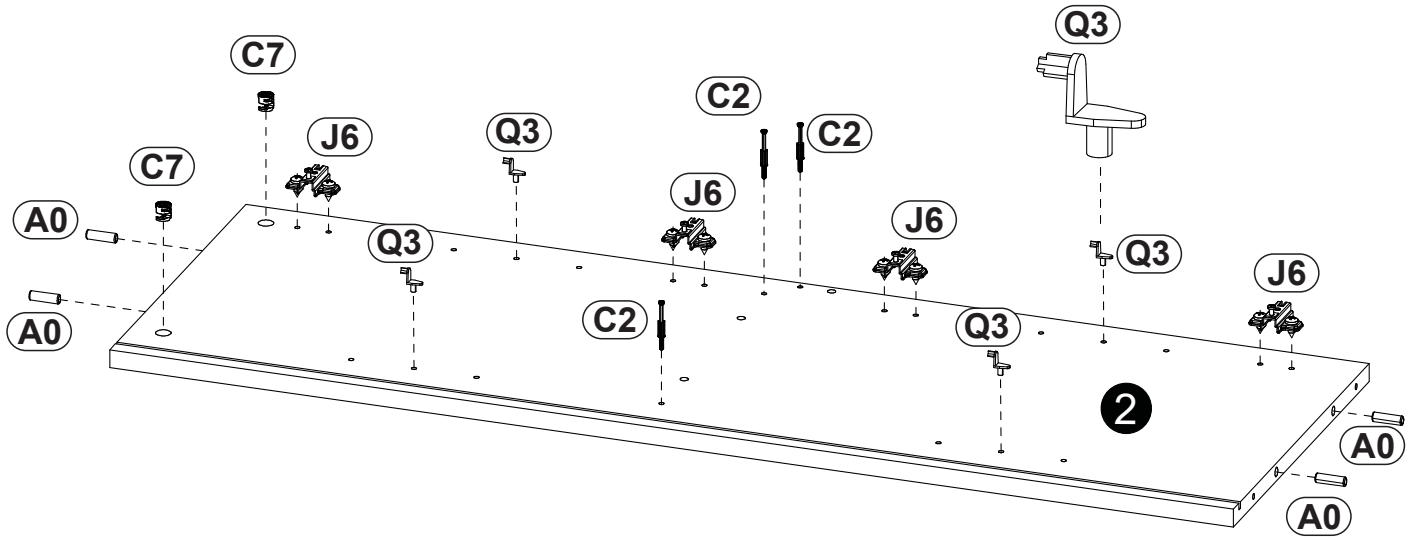
3

(A0) 8 x 30mm 	x8	(C7) 16mm 	x8
--	-----------	--	-----------



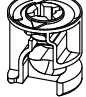
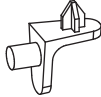


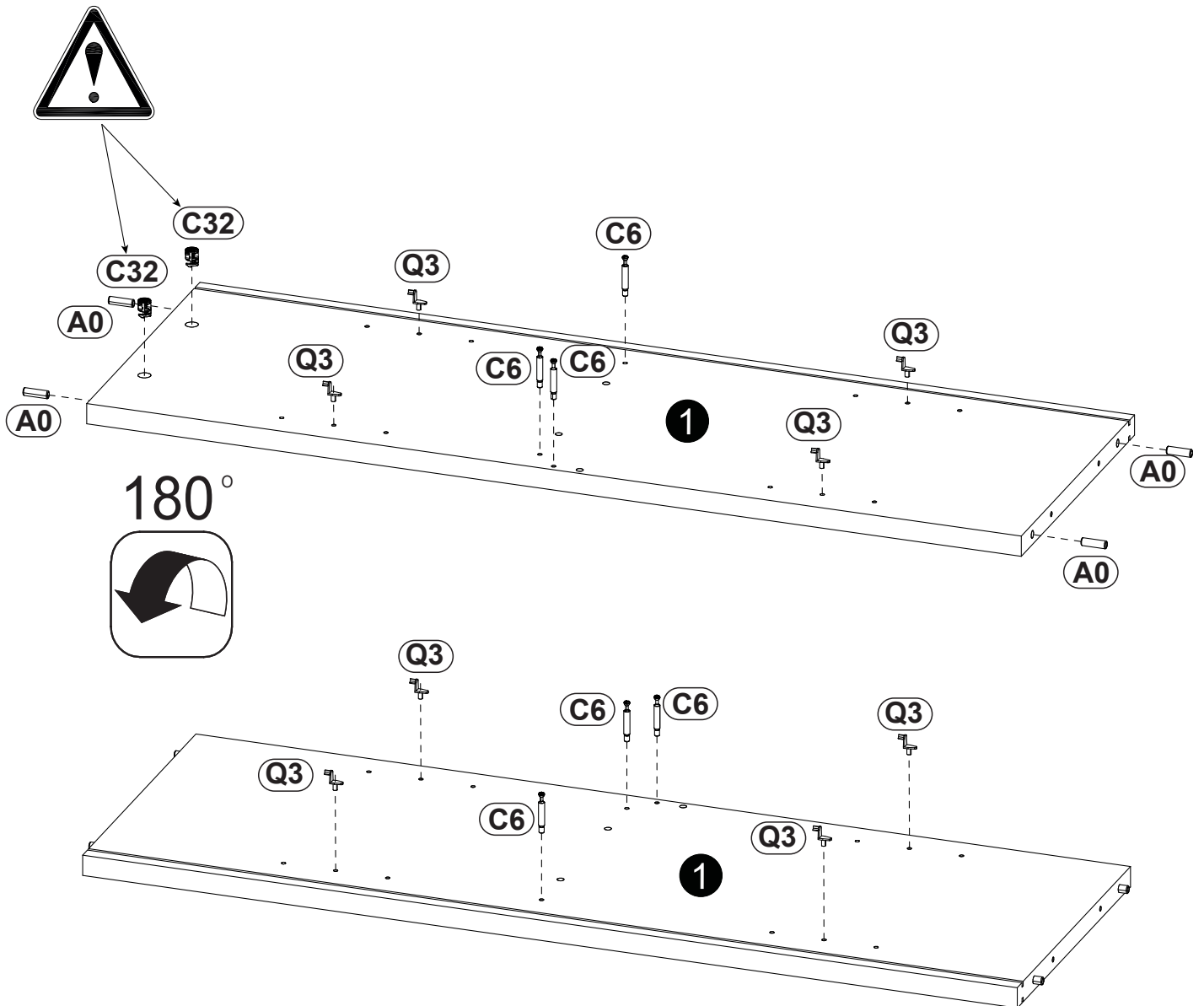
4

(A0) 8 x 30mm x8 	(C2) x6 	(C7) 16mm x4 
(J6) x8 	(Q3) x8 	




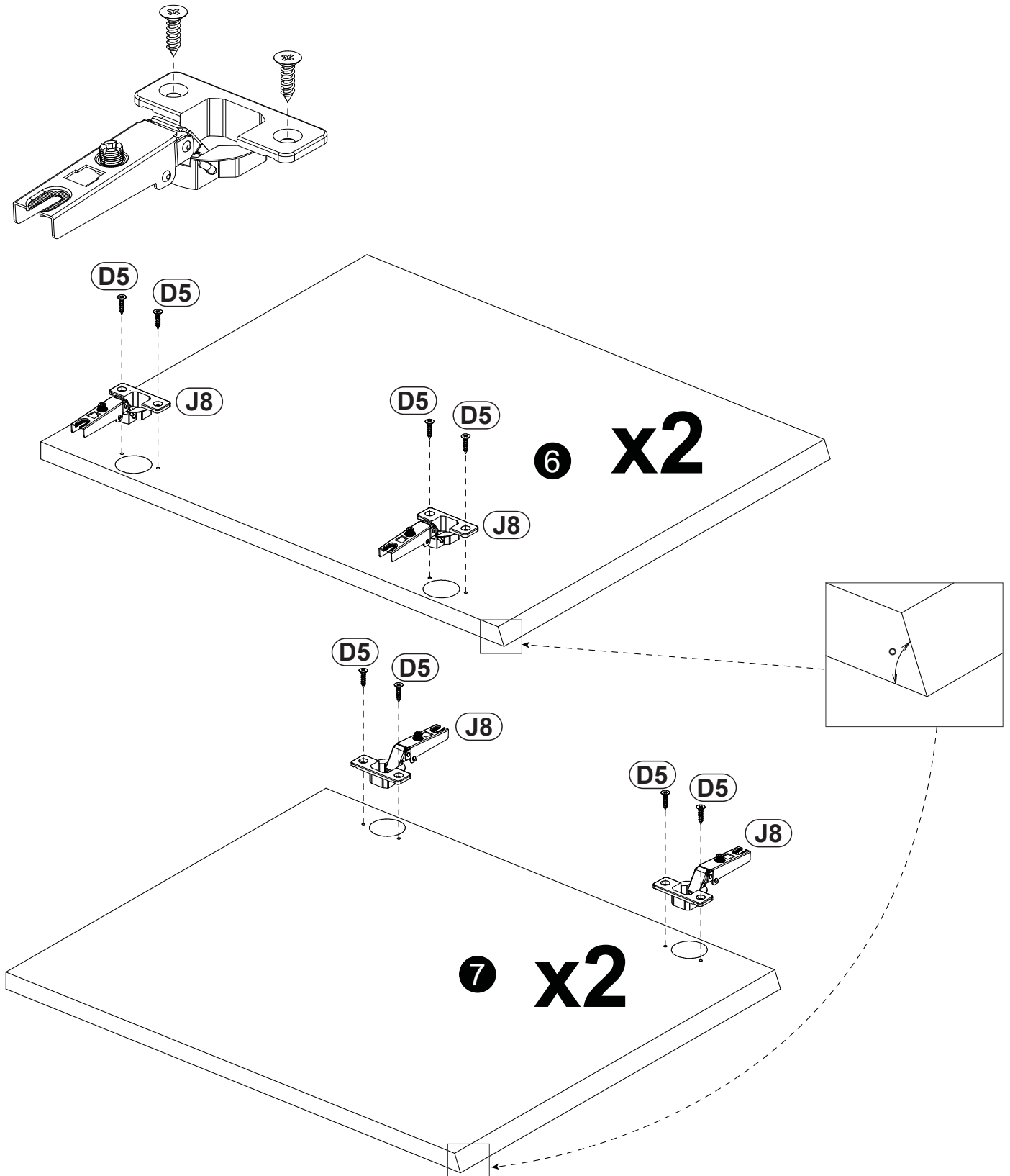
5

A0 8 x 30mm  x4	C6  x6	C32 22mm  x2
Q3  x8		

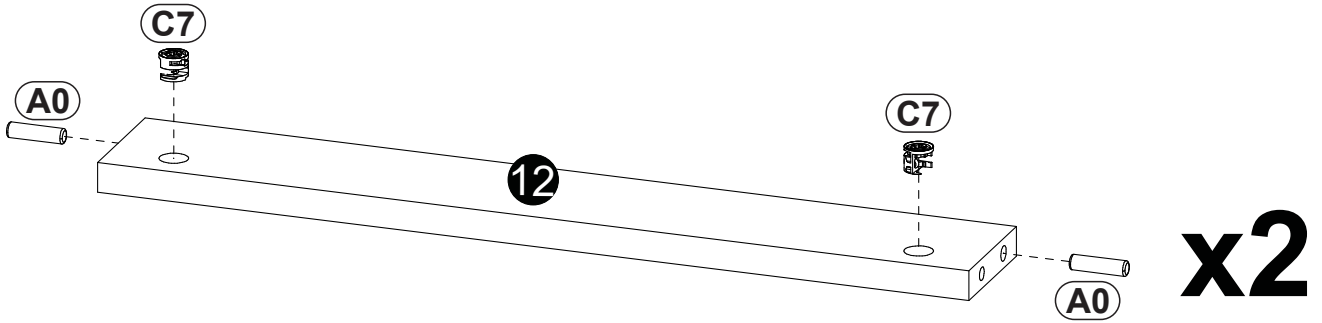
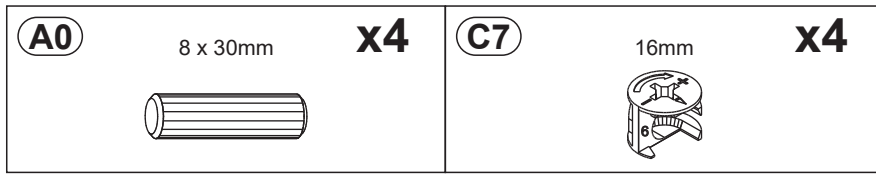


6

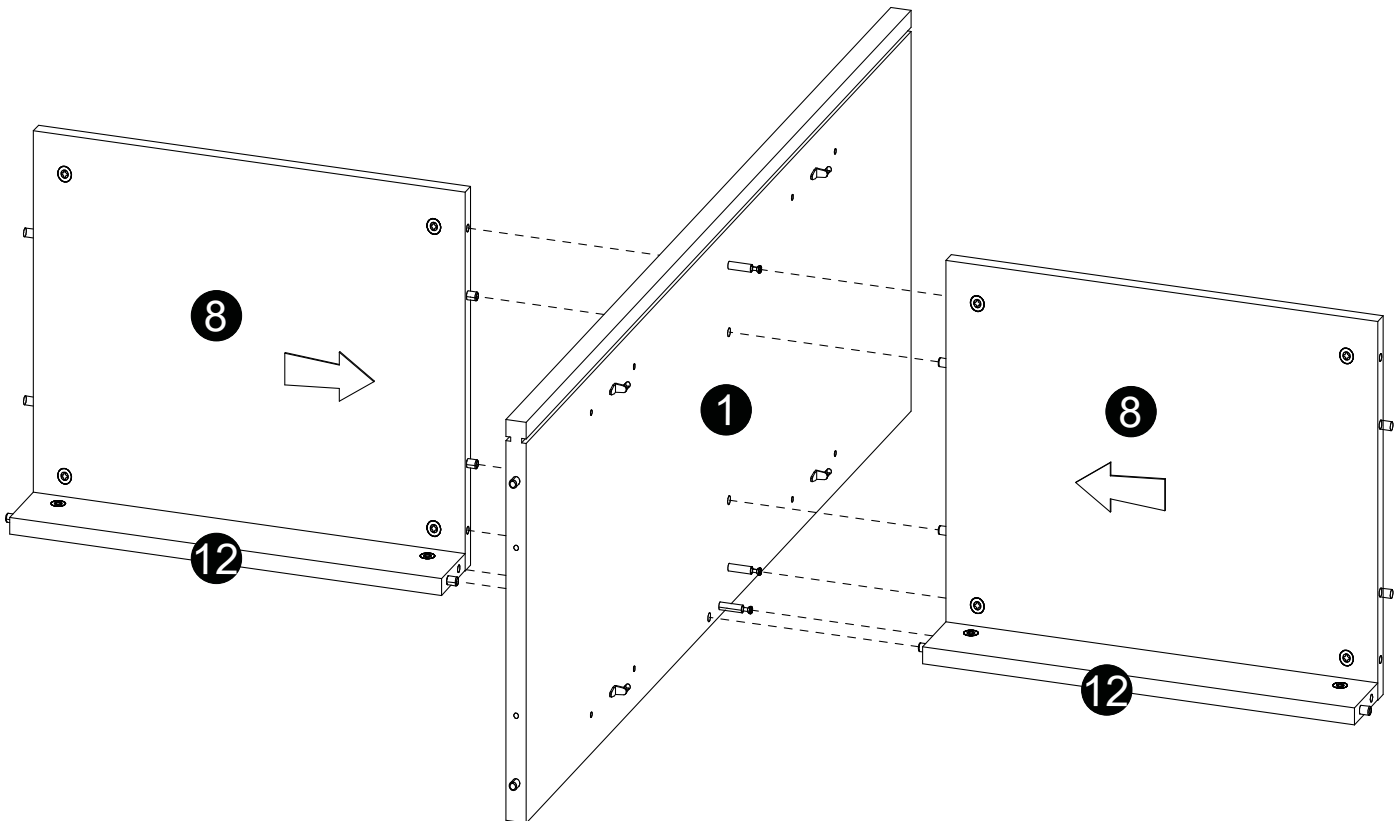
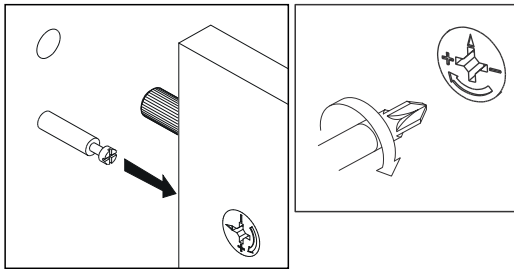
D10	4 x 16 mm	x16	J8	x8
				



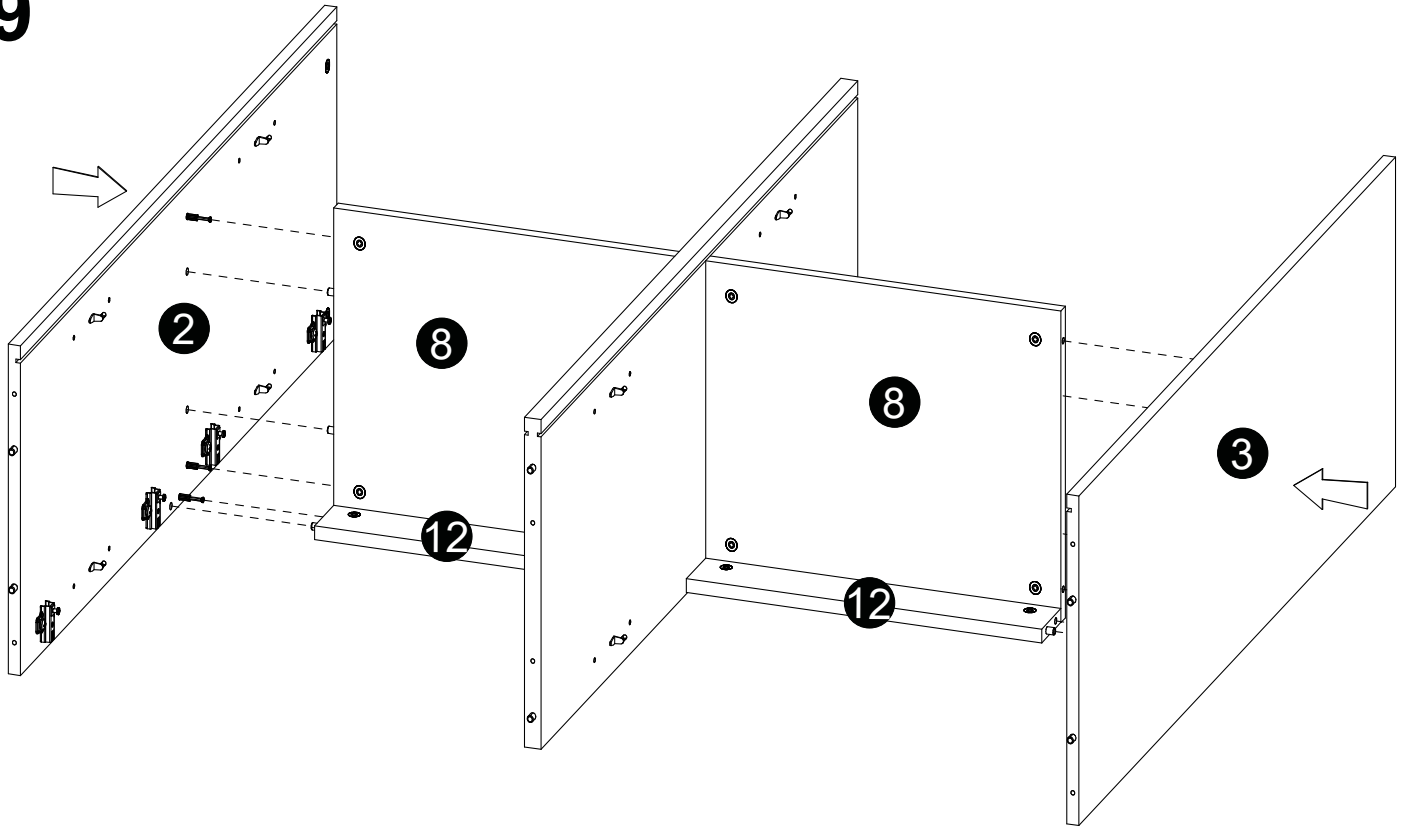
7



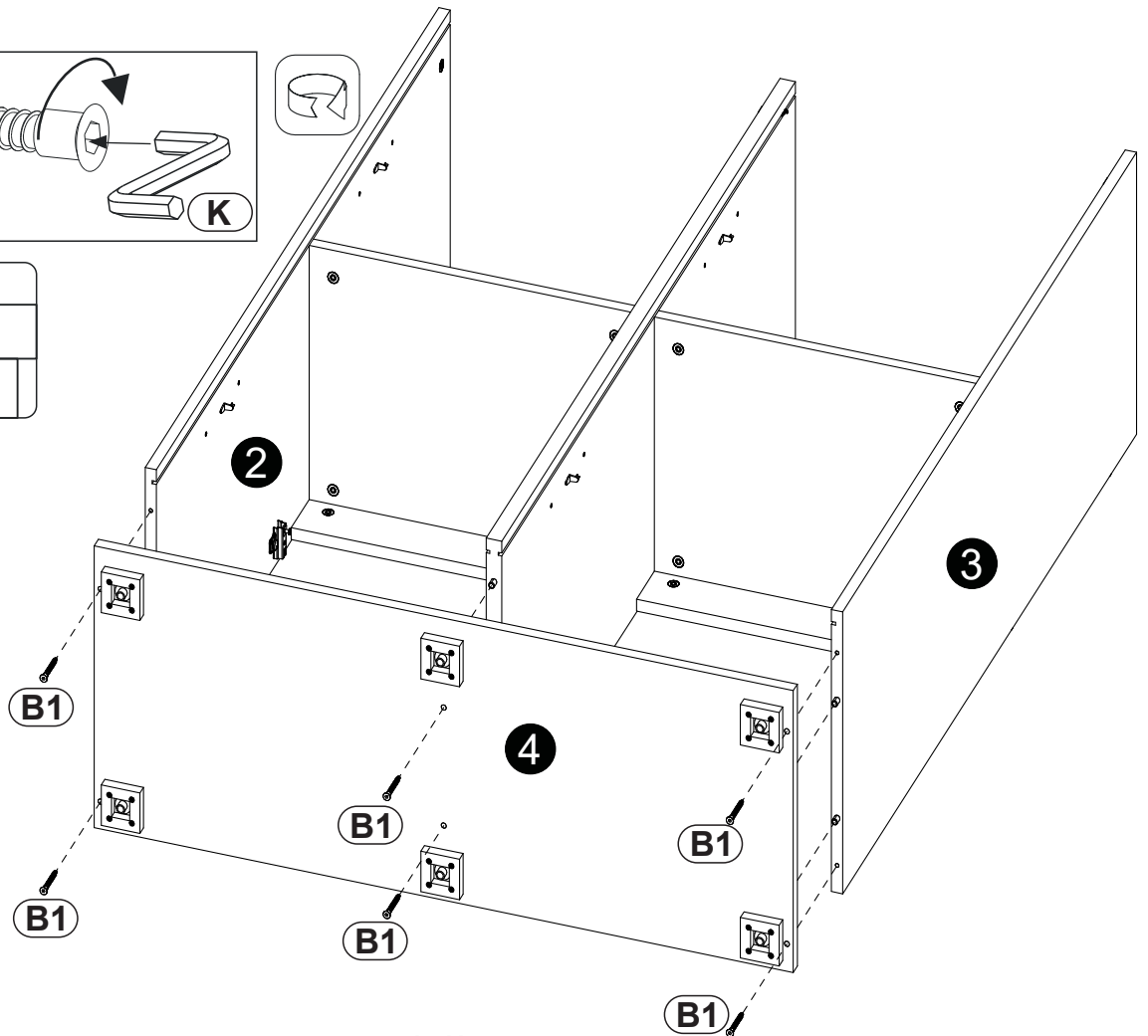
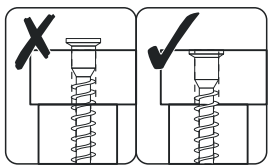
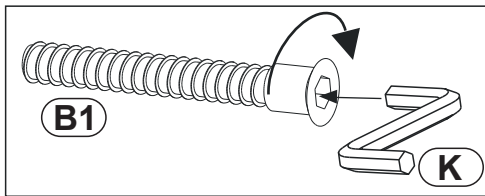
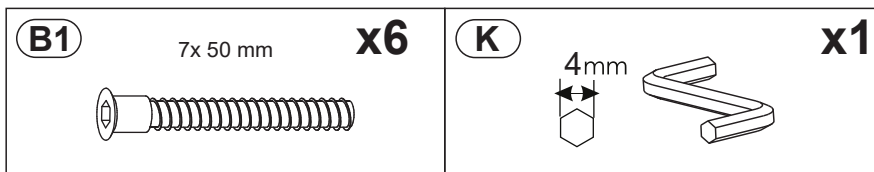
8

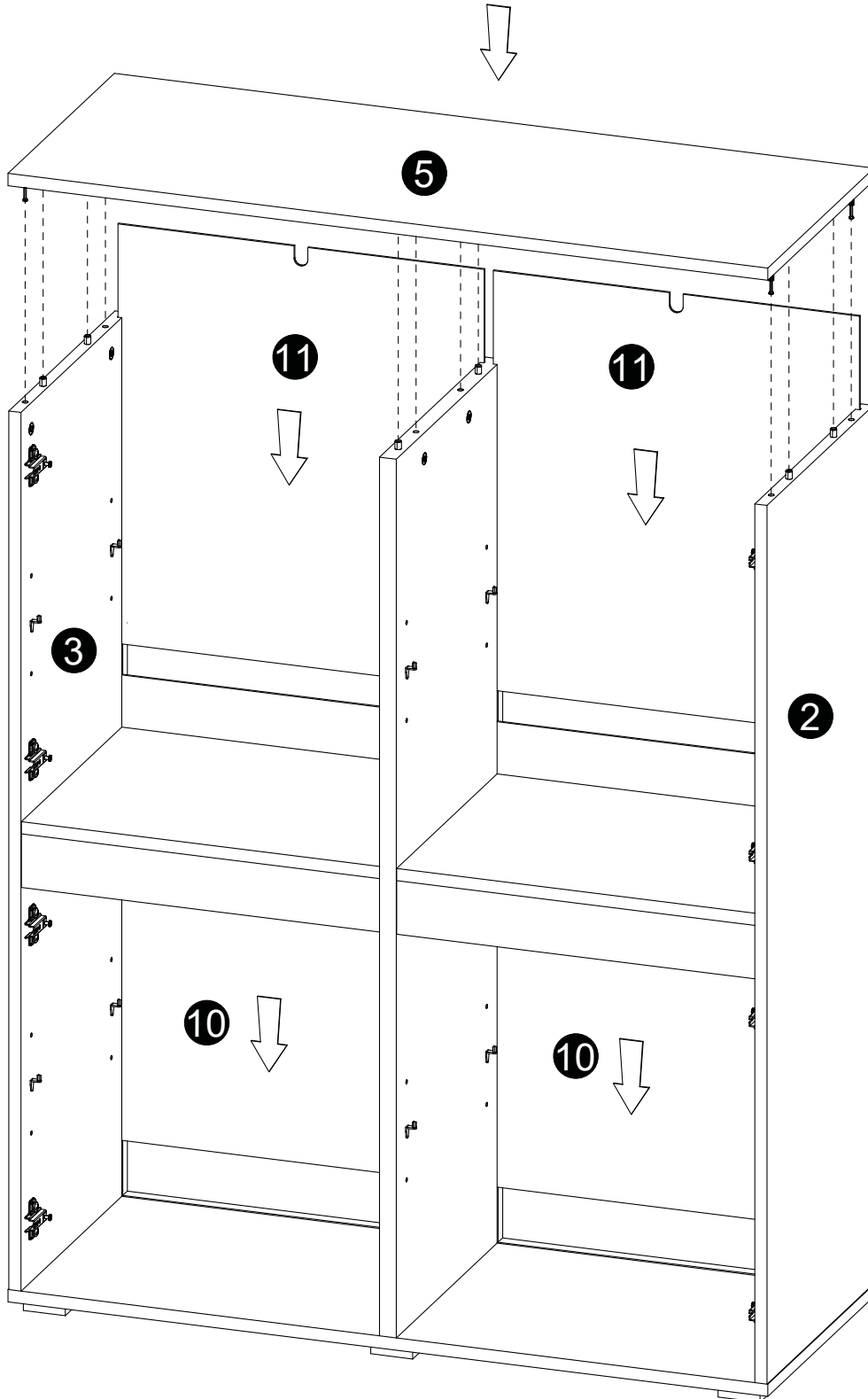


9


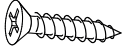
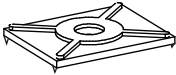


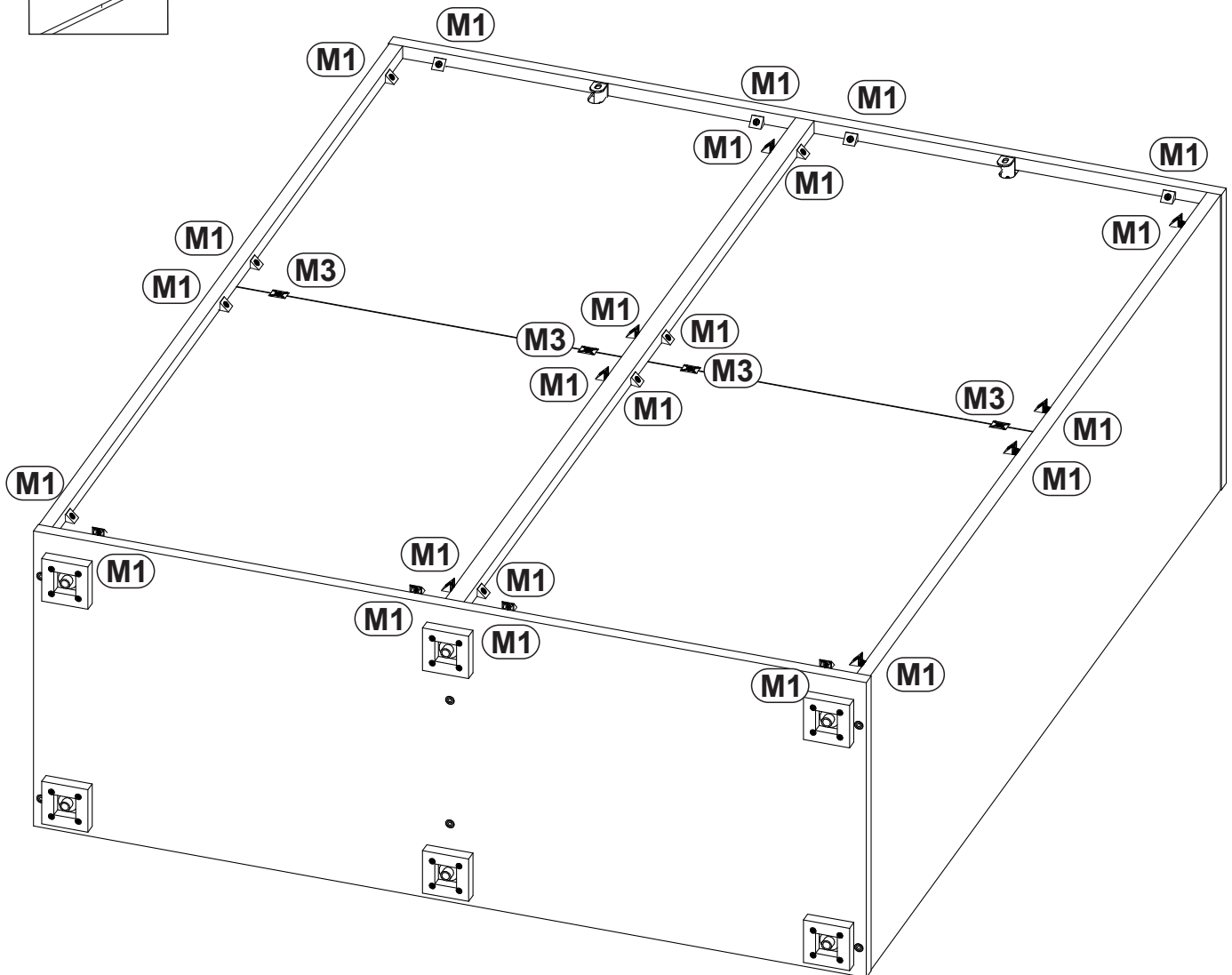
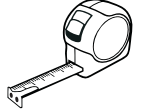
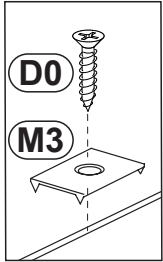
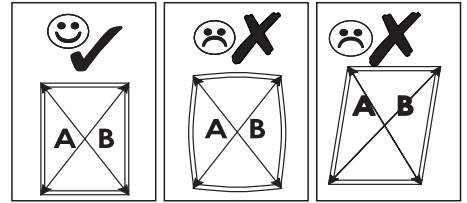
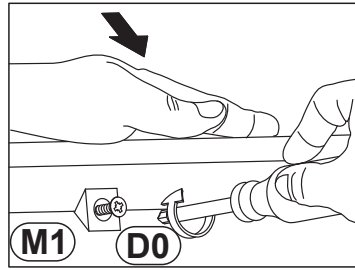
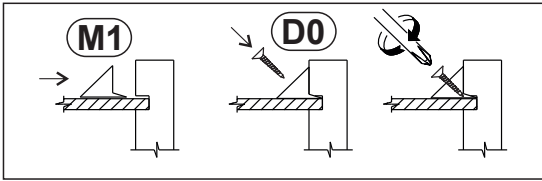
10





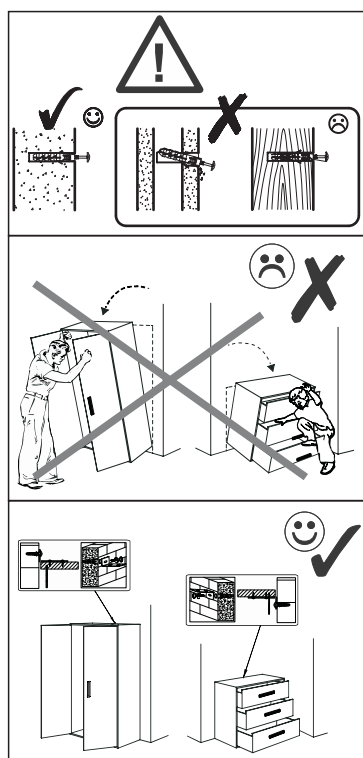
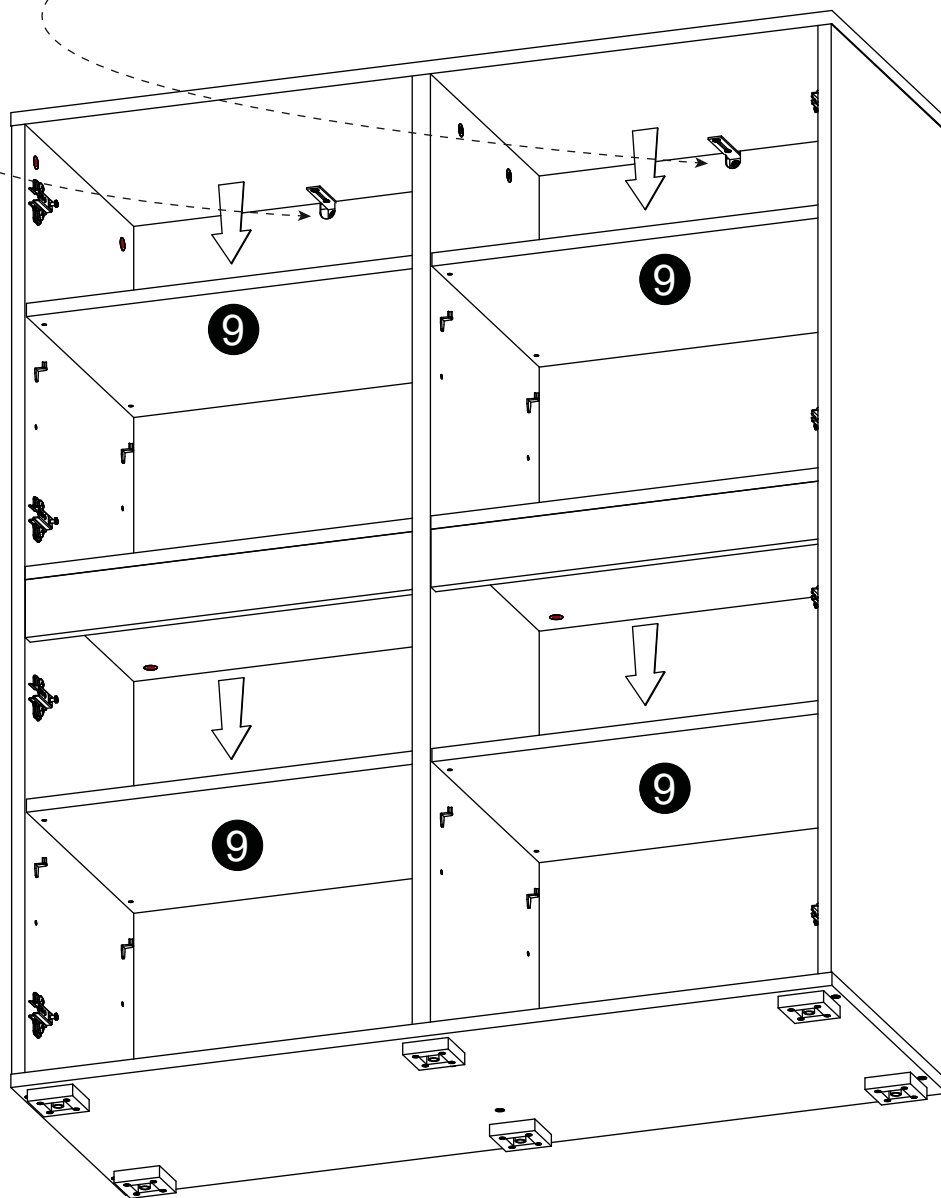
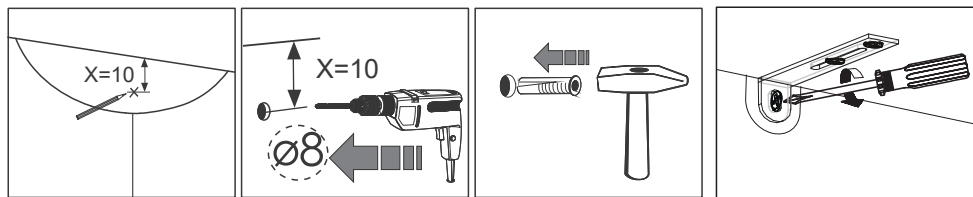
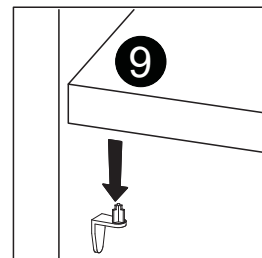
12

M1		x24	D0		3 x 15 mm	x28	M3		x4
-----------	---	------------	-----------	---	------------------	------------	-----------	---	-----------

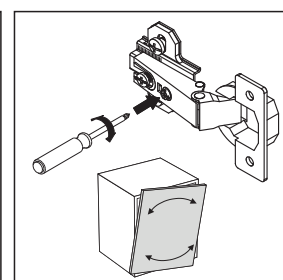
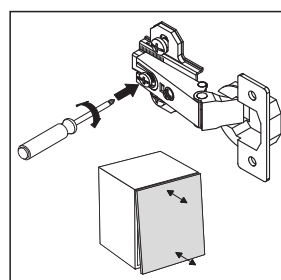
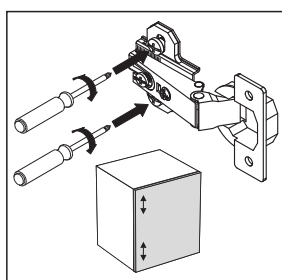
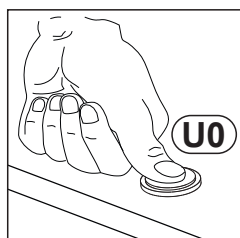
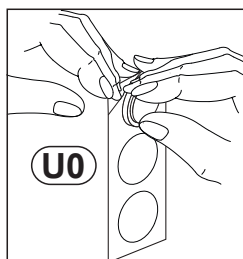
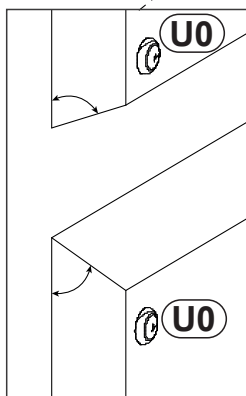
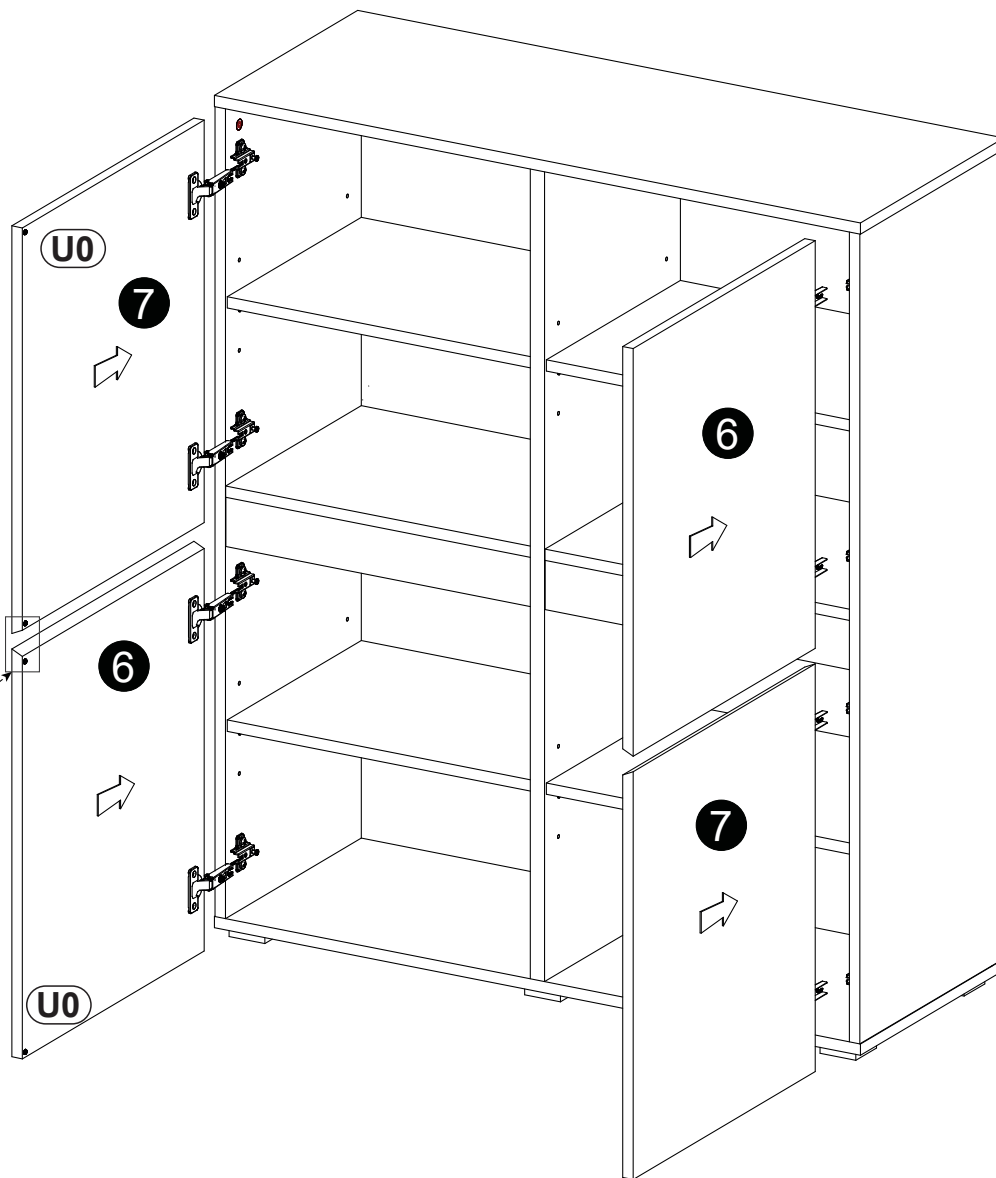
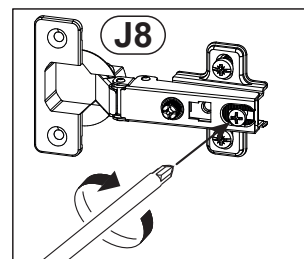
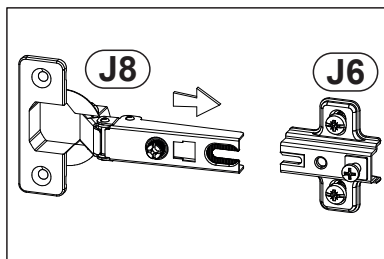
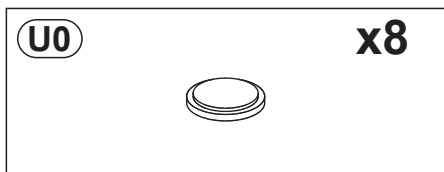


13

E0 5 x 50 mm **x2**
8 x 50 mm



14



15

