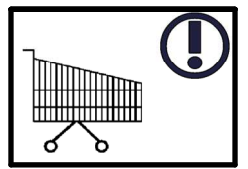
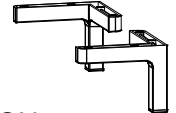
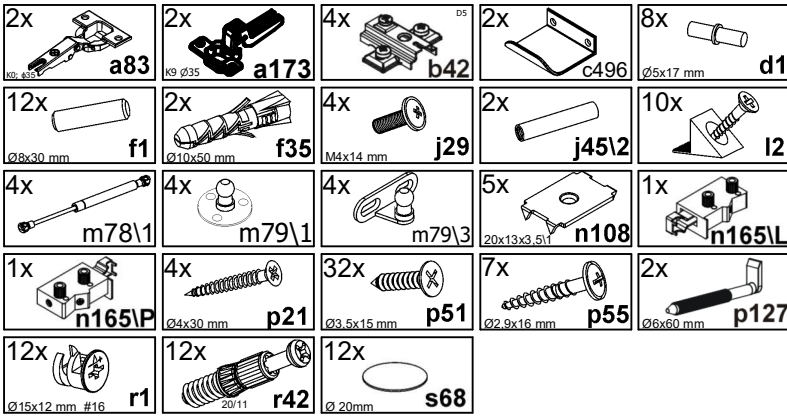
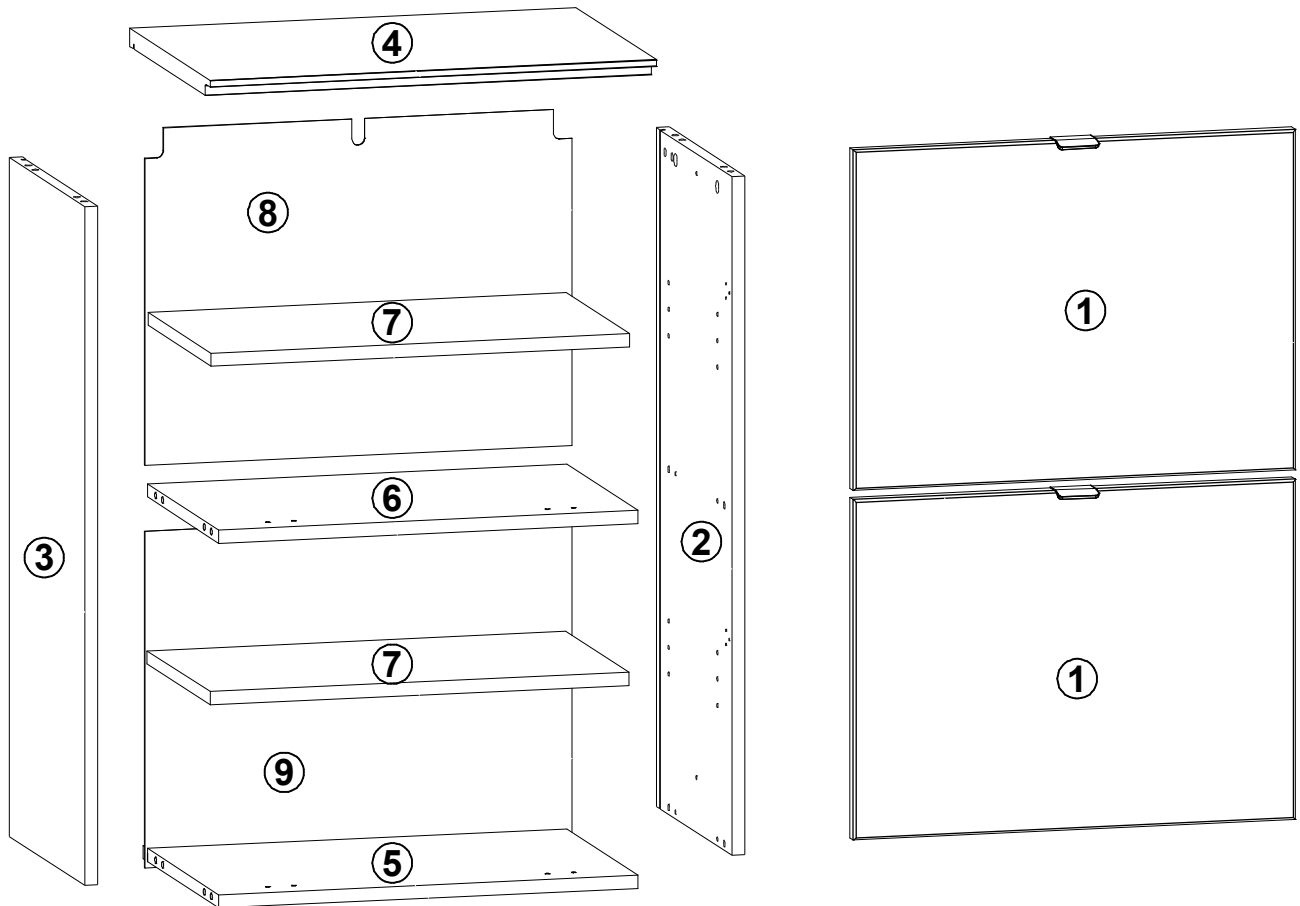


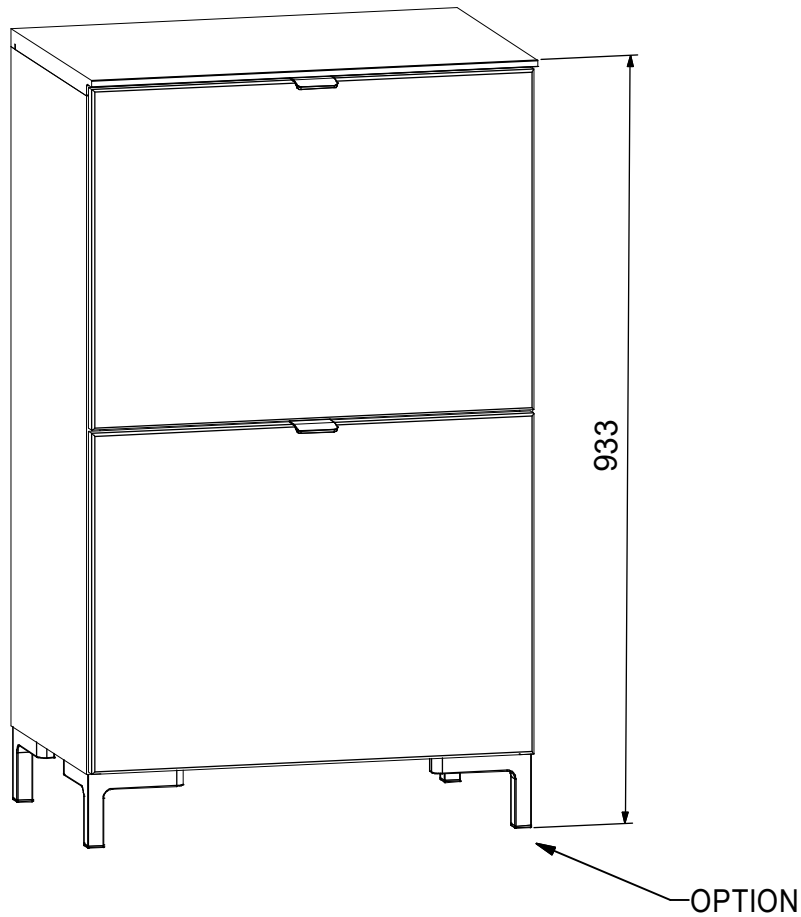
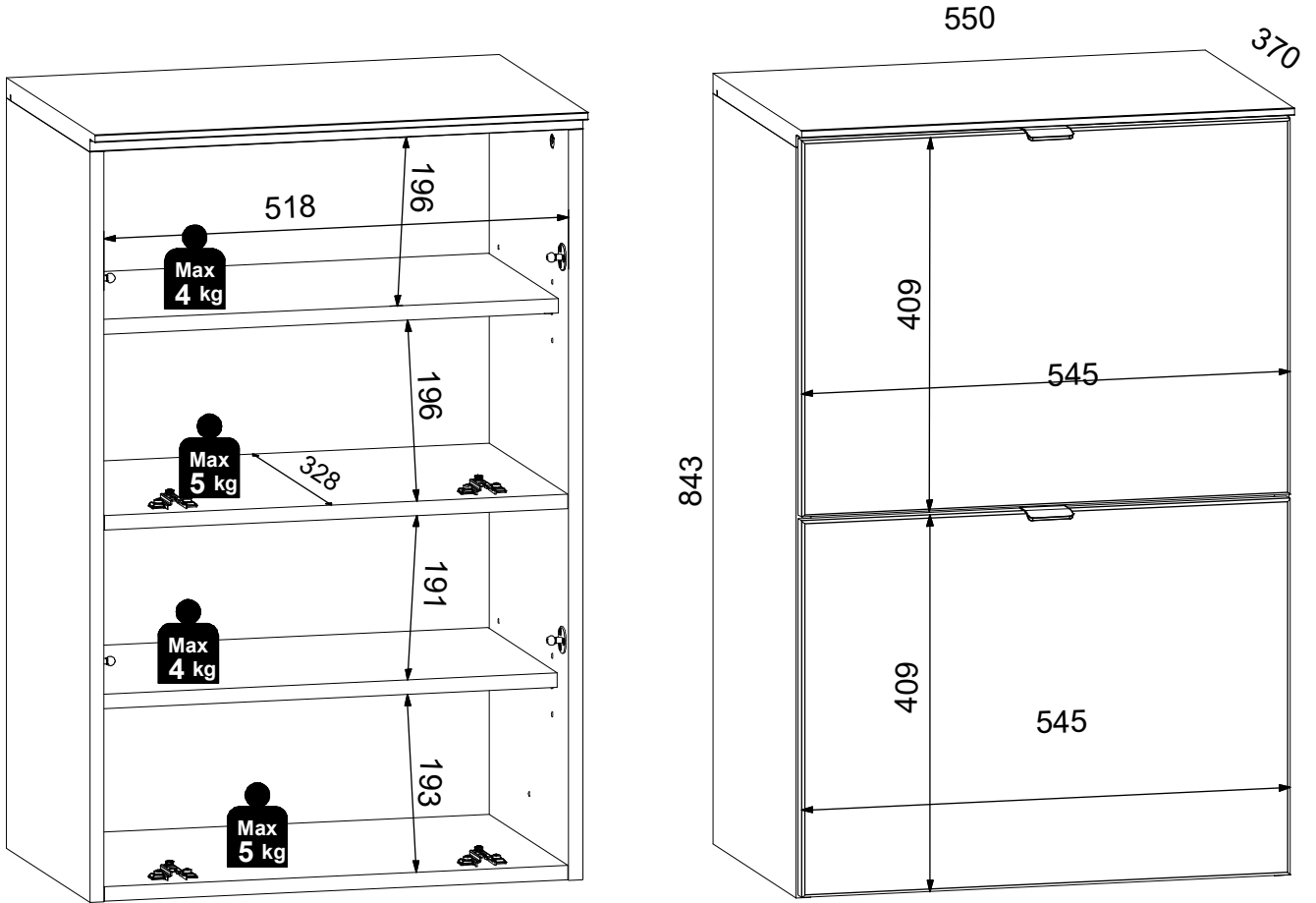
OPTION
99 03 01 95



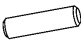




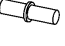




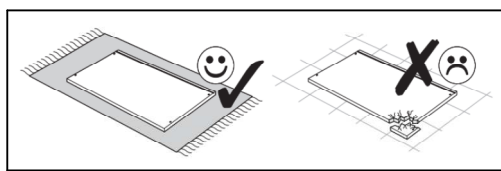
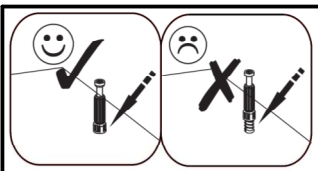
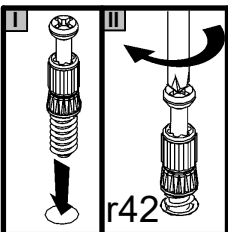
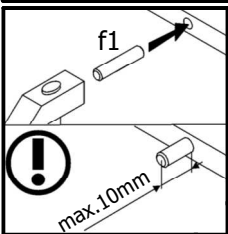
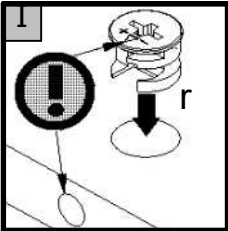
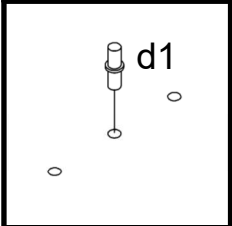
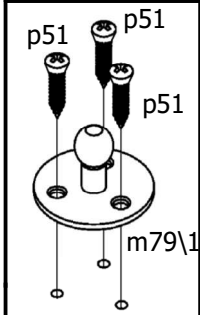
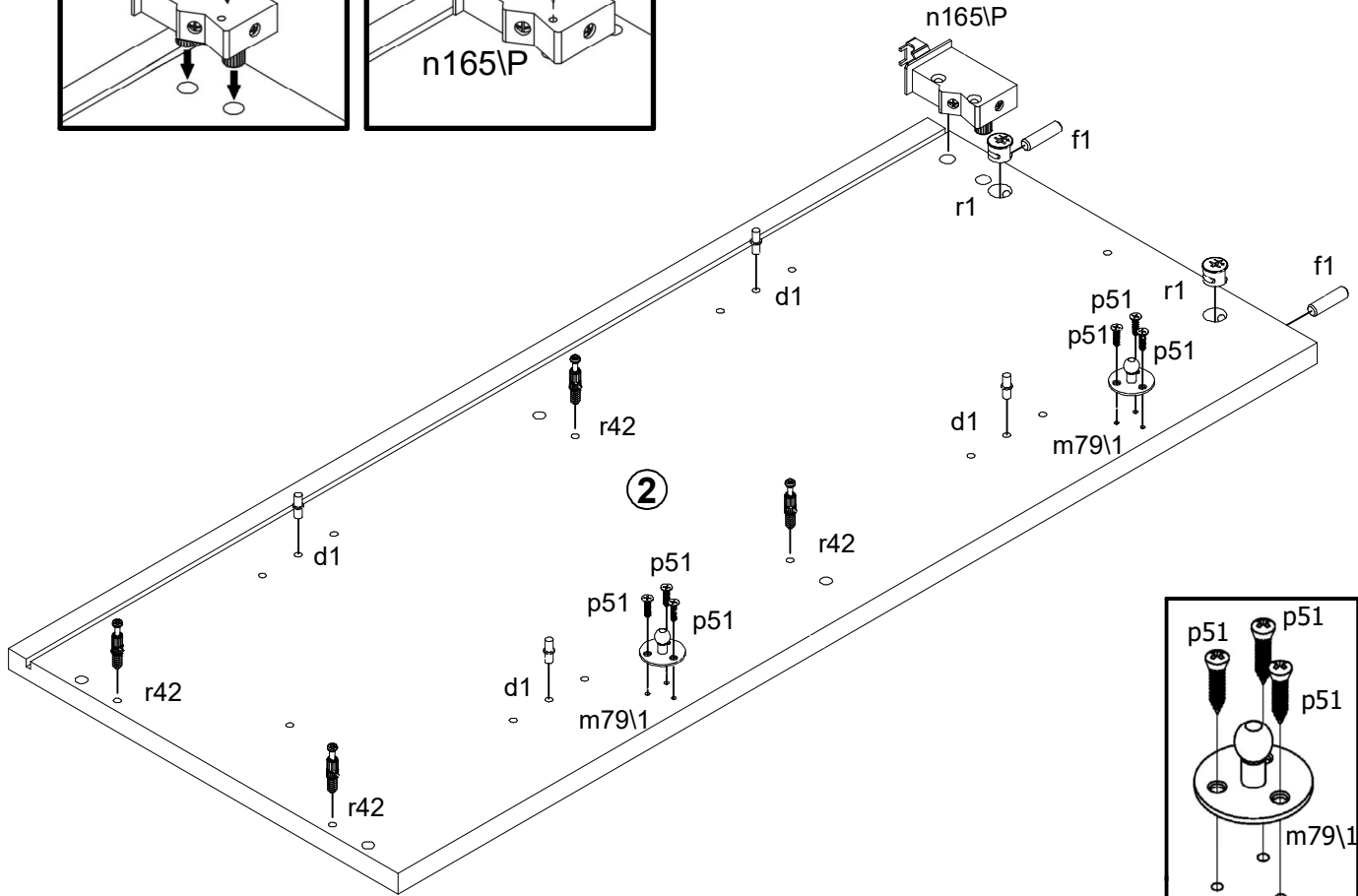
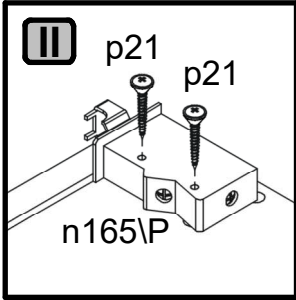
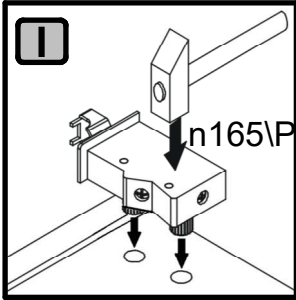
A	B1	B2	C1	C2	C3	C4	D
1	M278-0003	-	545	412	18	2	1/1
2	M278-1001	-	821	348	16	1	1/1
3	M278-1002	-	821	348	16	1	1/1
4	M278-2002	-	550	370	22	1	1/1
5	M278-3004	-	517	348	16	1	1/1
6	M278-3005	-	517	328	16	1	1/1
7	M278-3006	-	516	290	16	2	1/1
8	M278-9005	-	527	407	2,5	1	1/1
9	M278-9006	-	527	407	2,5	1	1/1





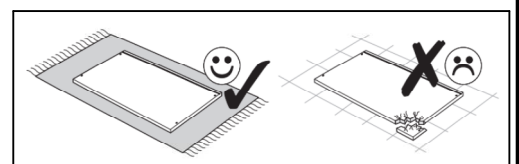
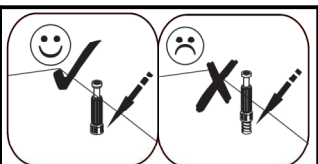
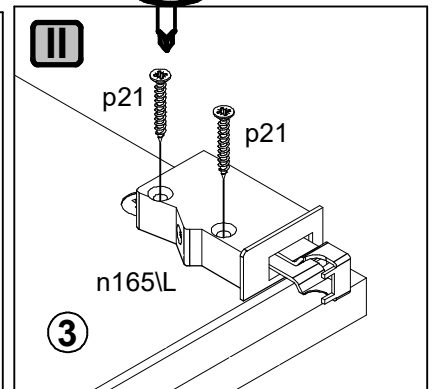
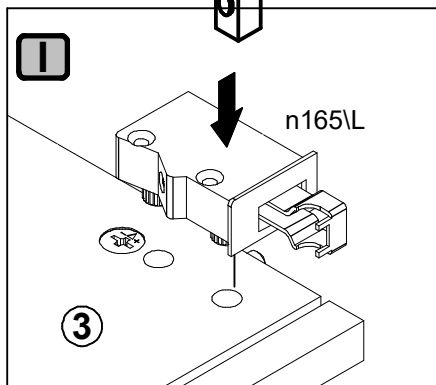
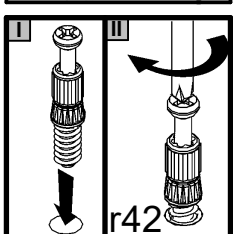
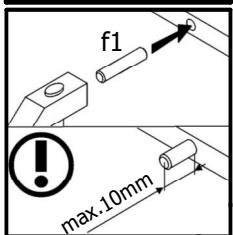
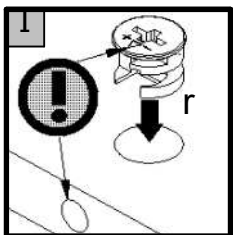
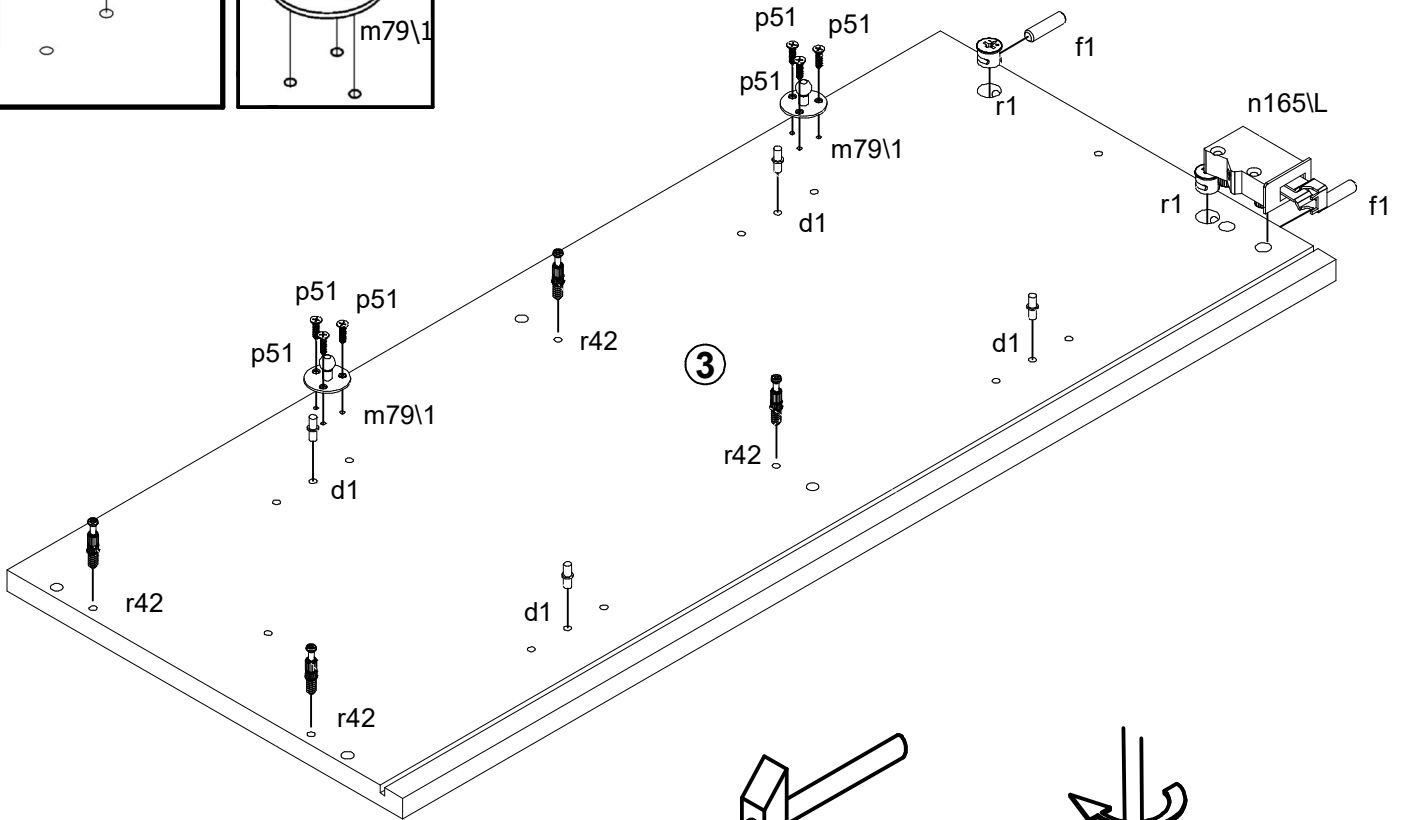
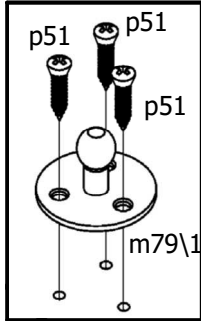
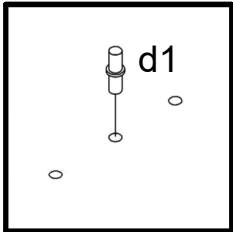
1 ▶

- 2x  f1 Ø8x30 mm
- 2x  r1 Ø15x12 mm #16
- 4x  r42 20/11
- 2x  m79\1
- 6x  p51 Ø3.5x15 mm
- 4x  d1 Ø5x17 mm
- 1x  n165\P
- 2x  p21 Ø4x30 mm

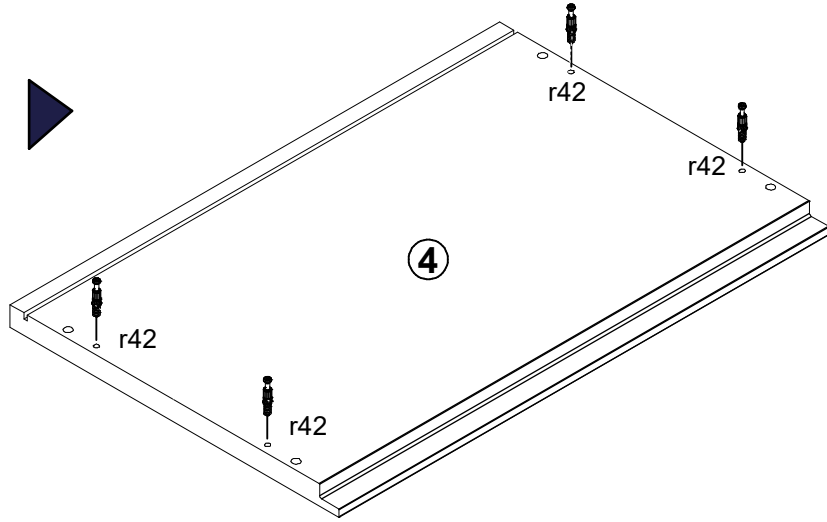




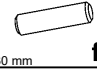

2 ▶

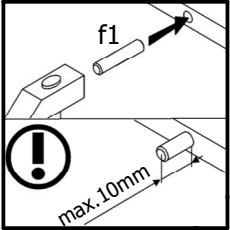
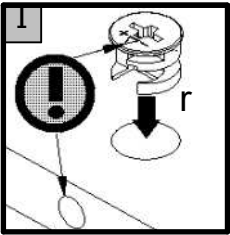
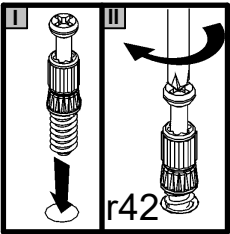
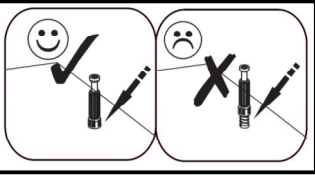
- 2x $\varnothing 8 \times 30$ mm f1
- 2x $\varnothing 15 \times 12$ mm #16 r1
- 4x 20/11 r42
- 2x m79\1
- 6x $\varnothing 3.5 \times 15$ mm p51
- 4x $\varnothing 5 \times 17$ mm d1
- 1x n165\L
- 2x $\varnothing 4 \times 30$ mm p21



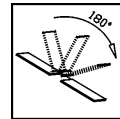
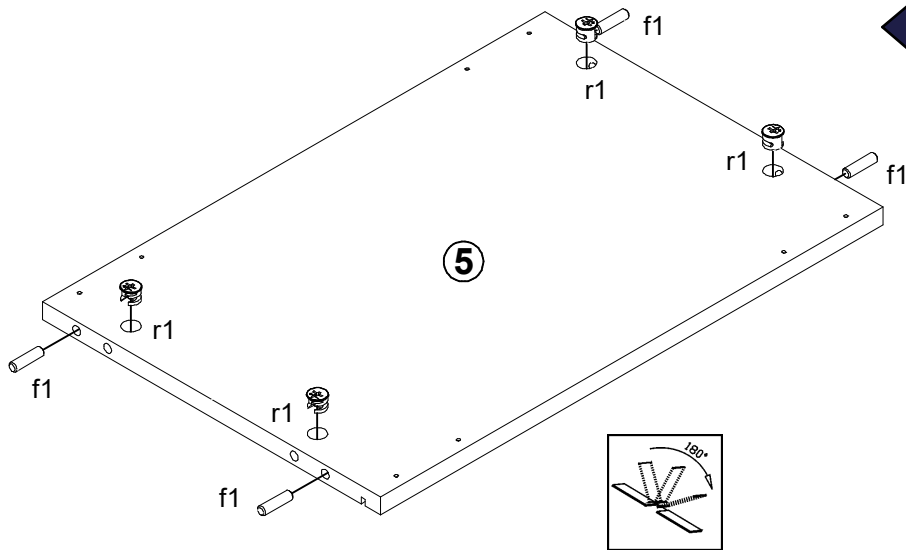
3 ▶



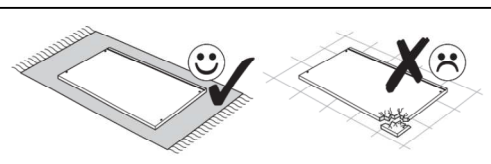
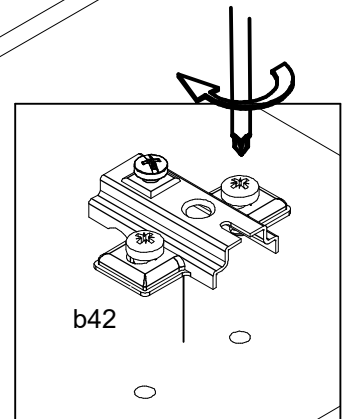
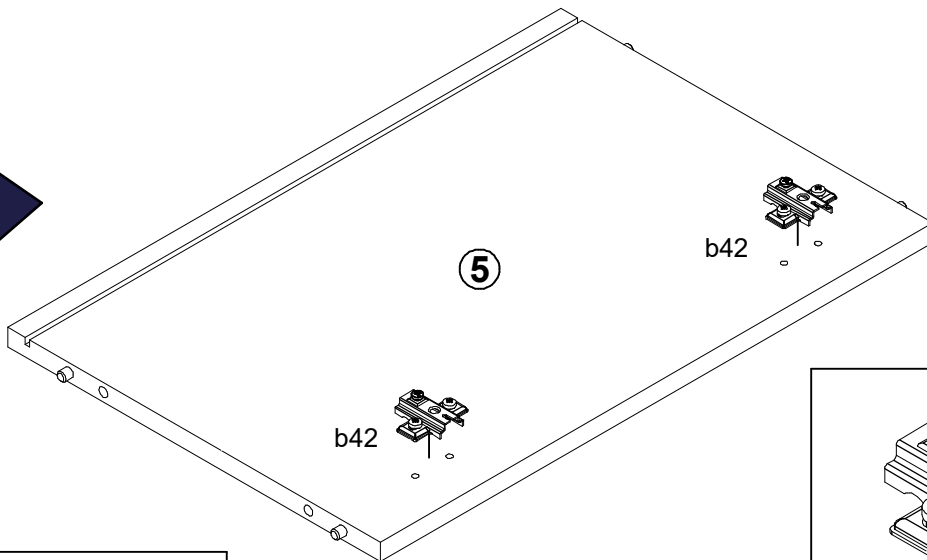
- 2x  **b42**
- 4x  **r1**
Ø15x12 mm #16
- 4x  **f1**
Ø8x30 mm
- 4x  **r42**
20/11



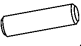


◀ 4

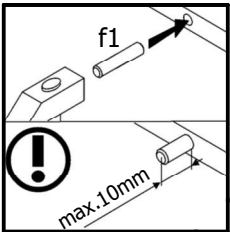
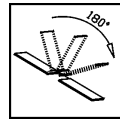
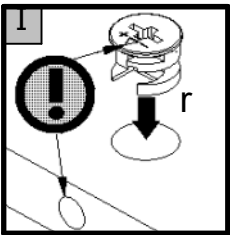
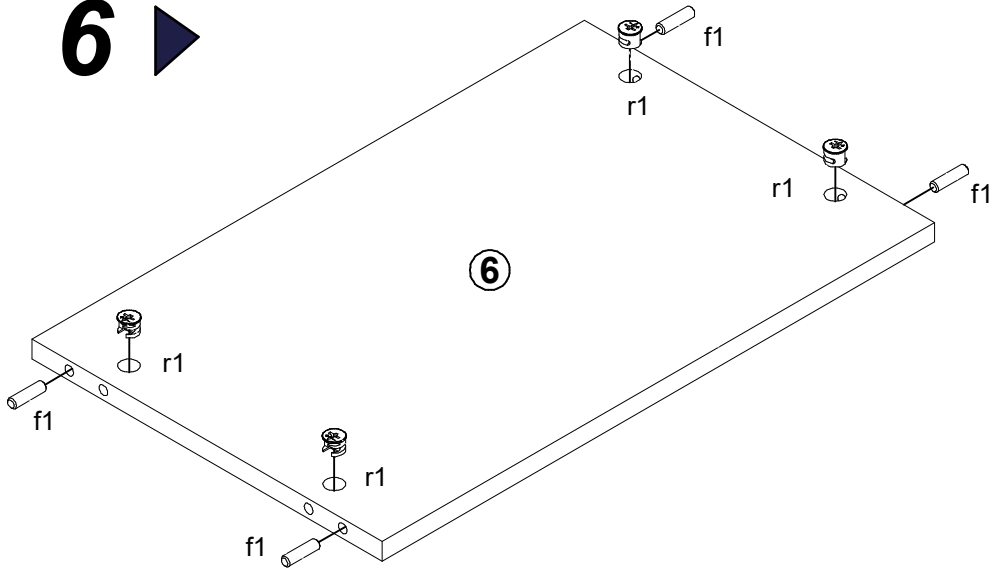


5 ▶

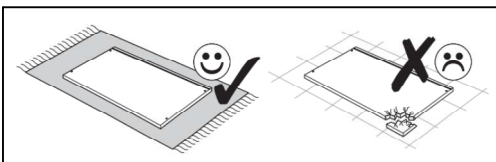
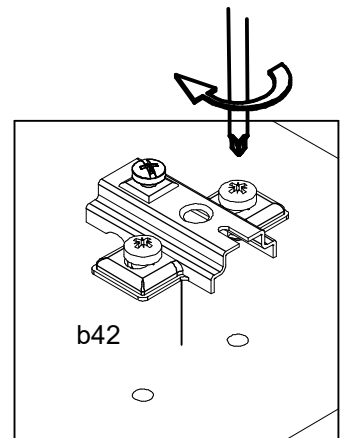
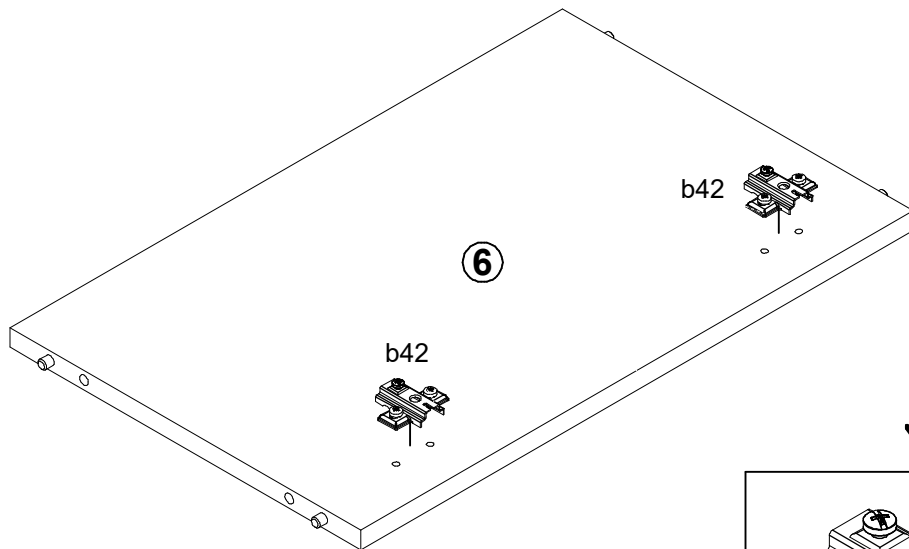


- 2x  b42
- 4x  r1
Ø15x12 mm #16
- 4x  f1
Ø8x30 mm

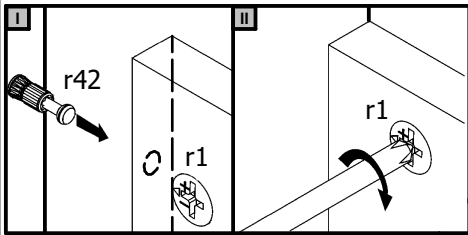
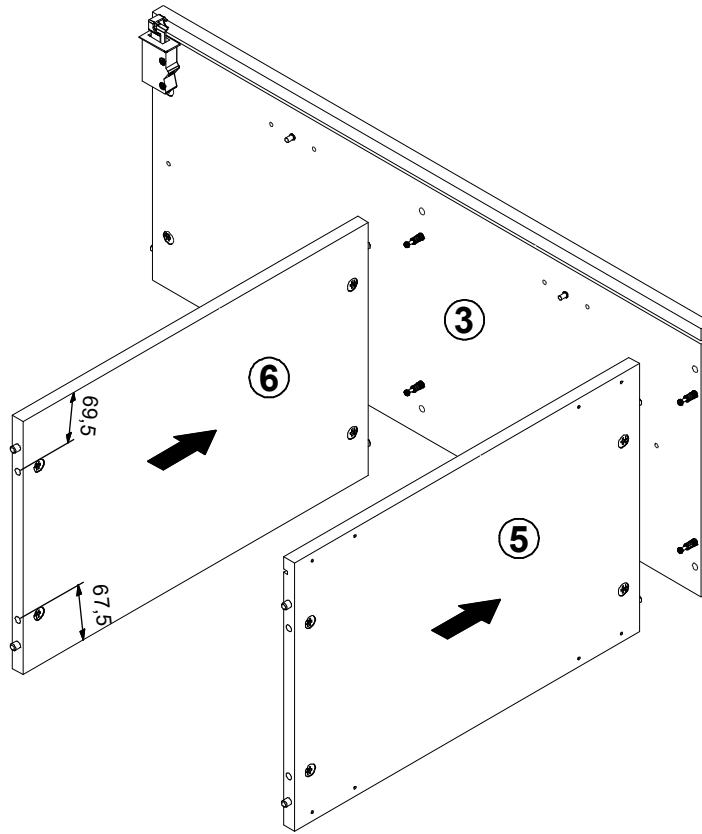
6 ▶



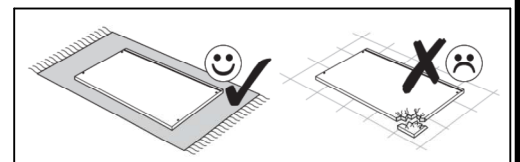
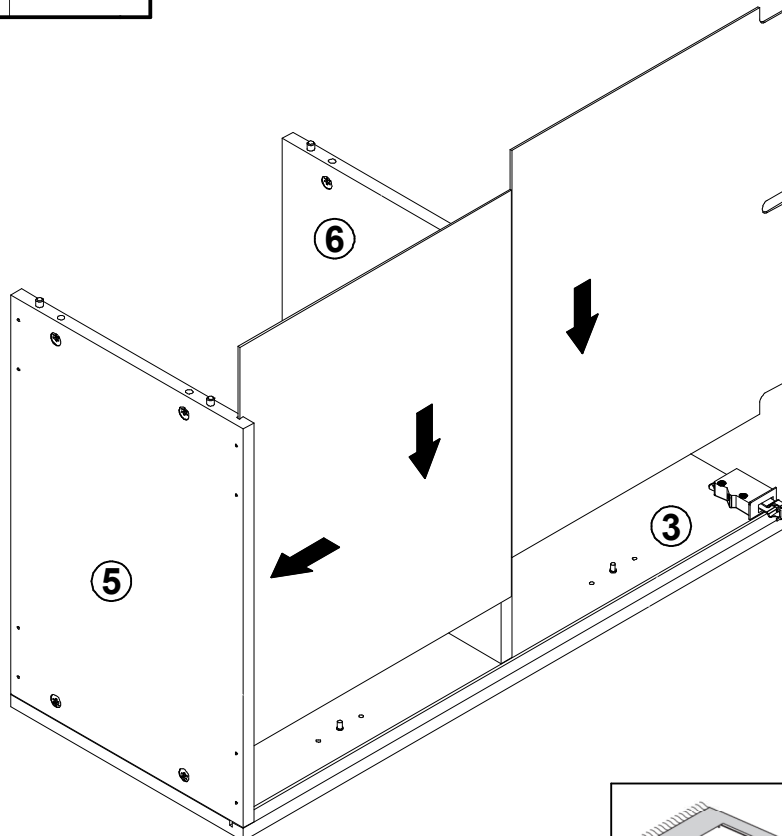
◀ 7



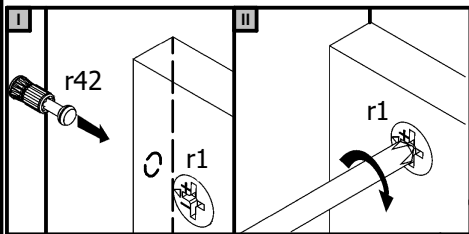
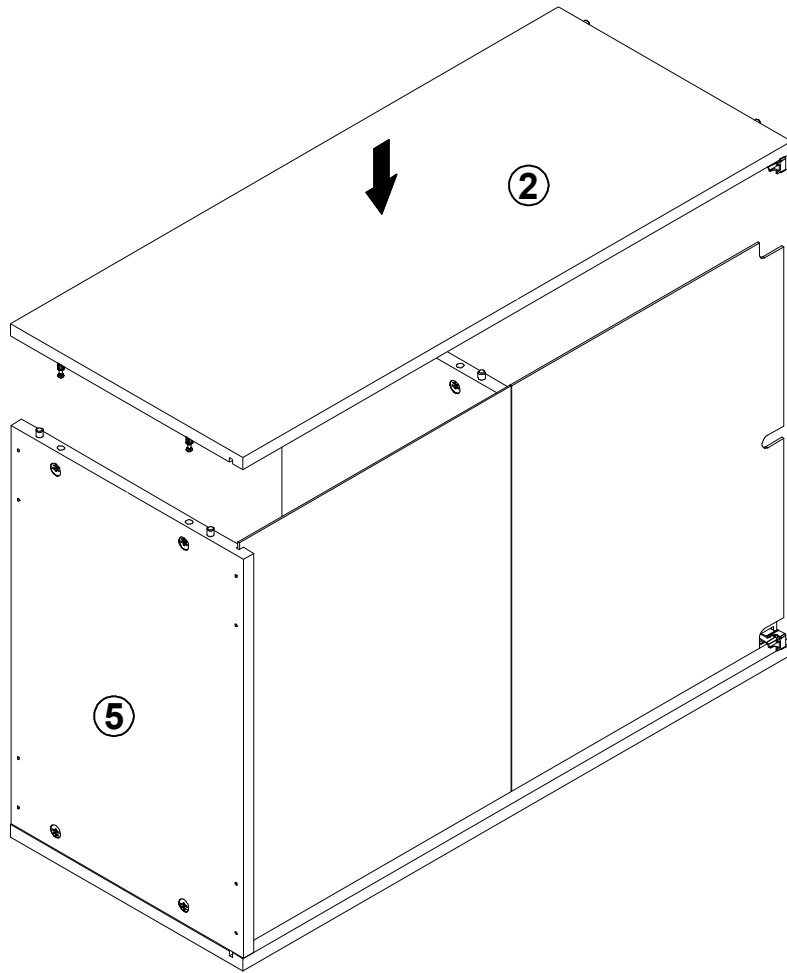
8 ▶



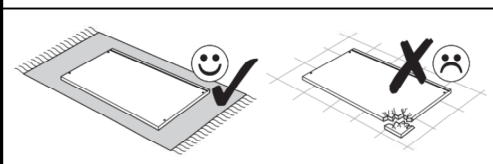
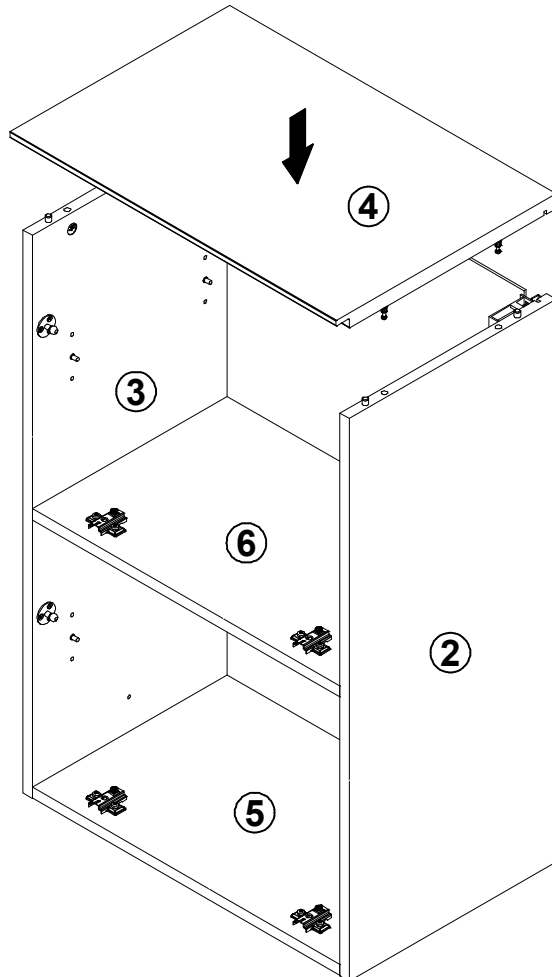
◀ 9




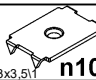

10 ▶

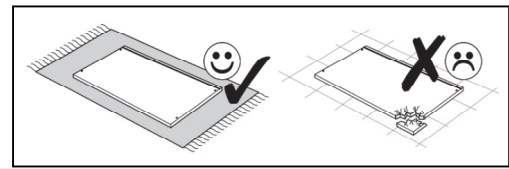
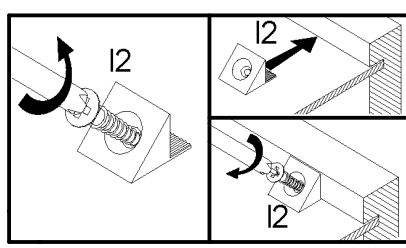
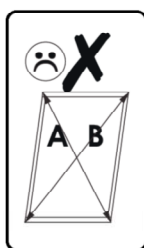
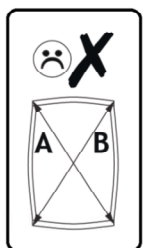
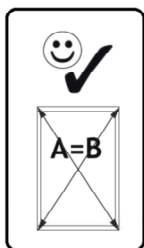
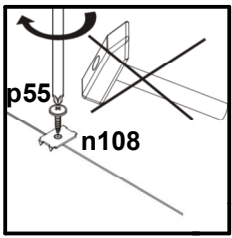
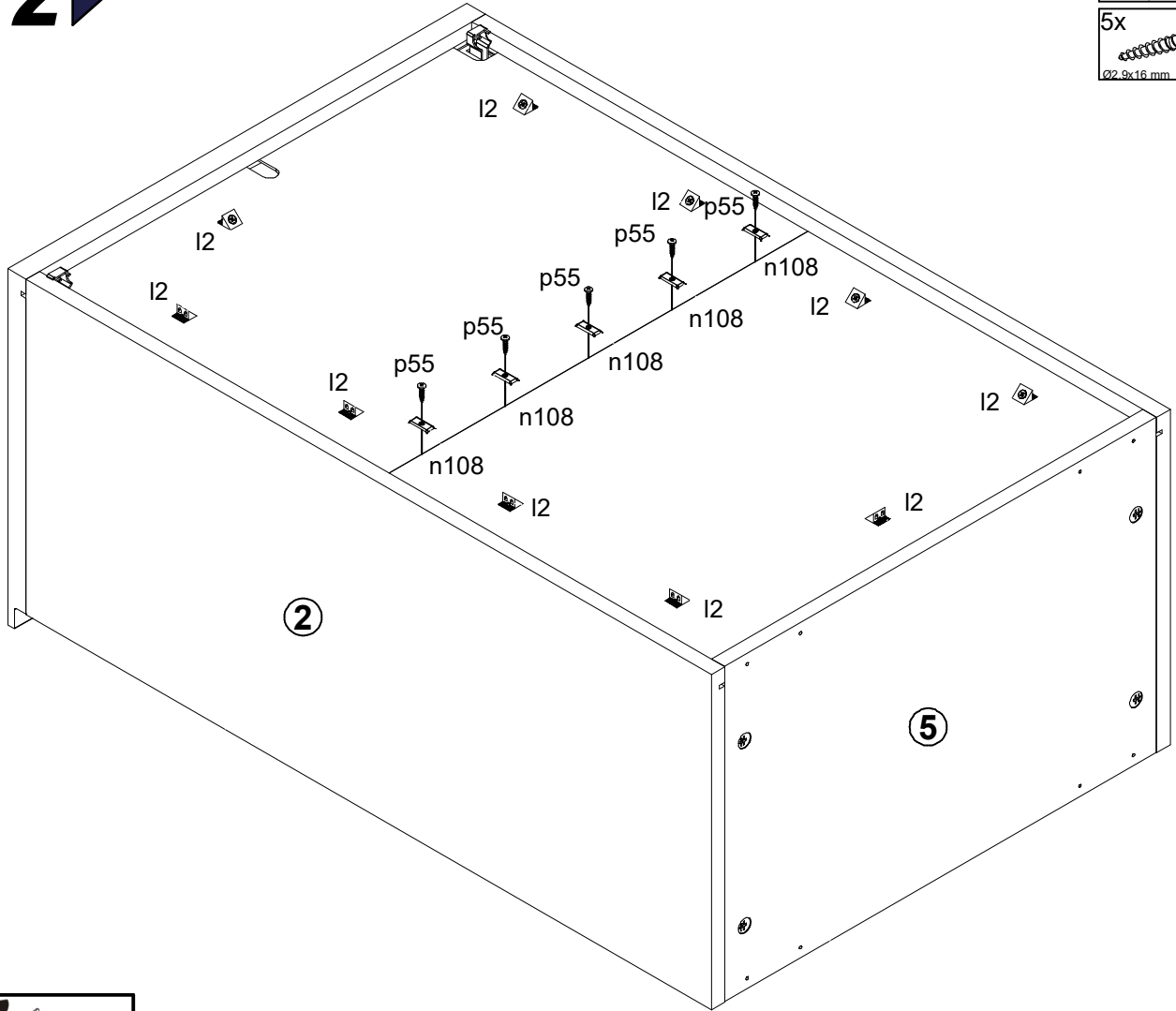


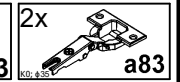
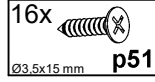
▶ 11



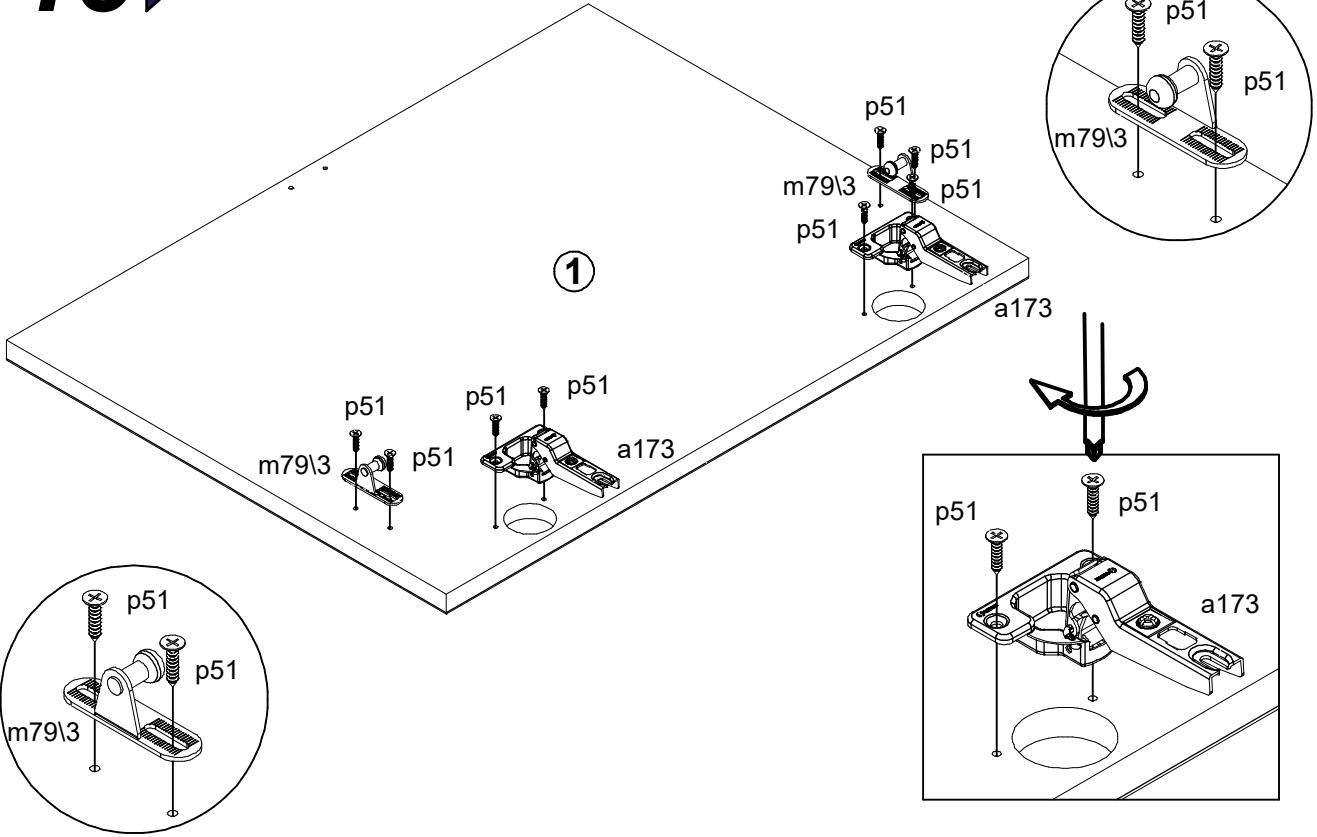
12

- 10x  I2
- 5x  n108
20x13x3.51
- 5x  p55
Ø2.9x16 mm

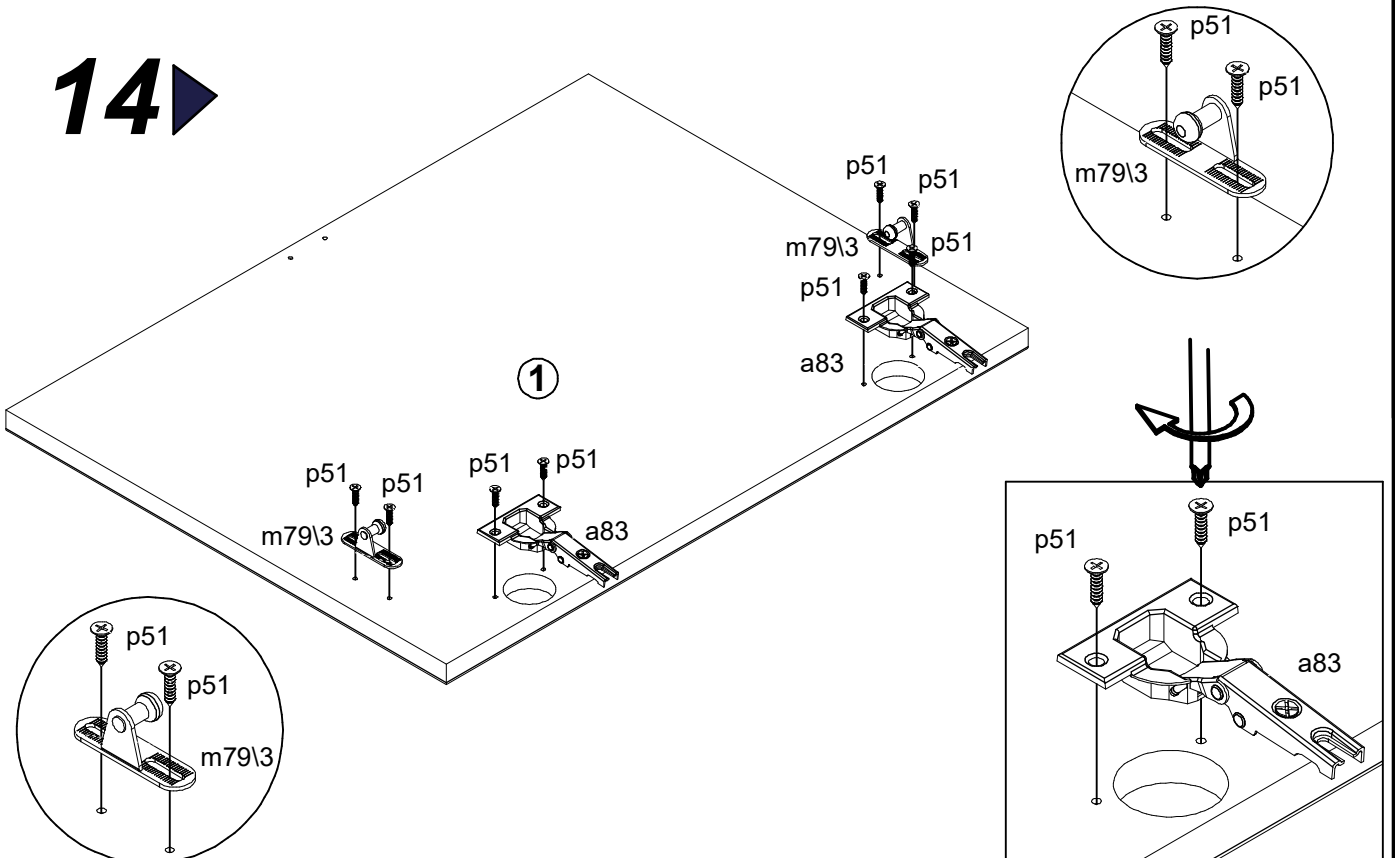




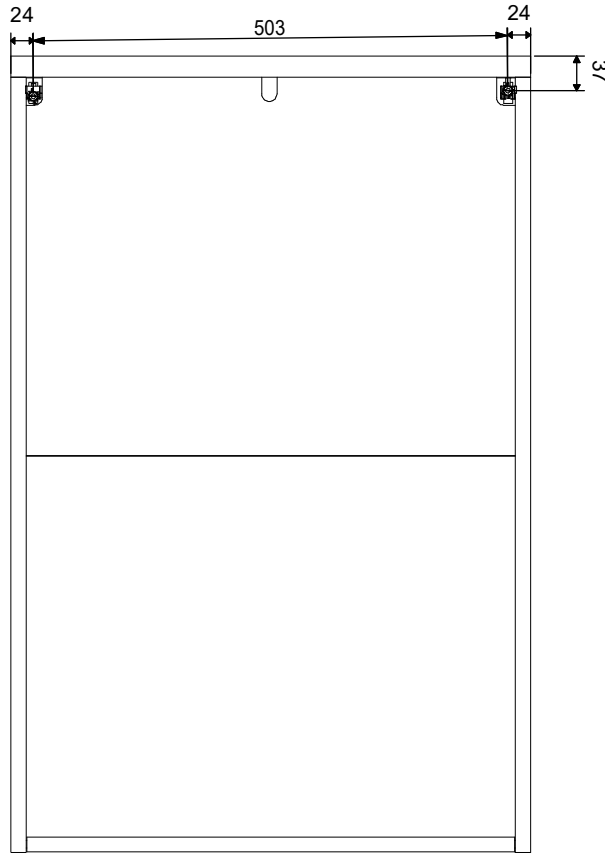
13



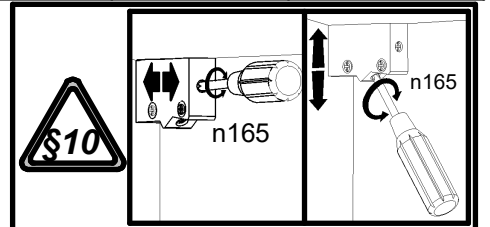
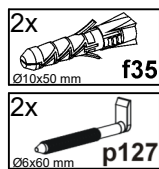
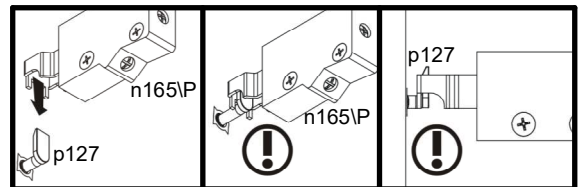
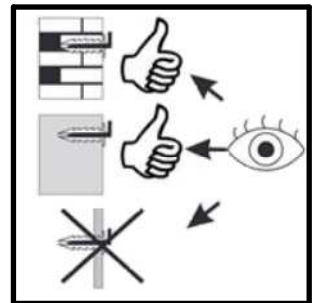
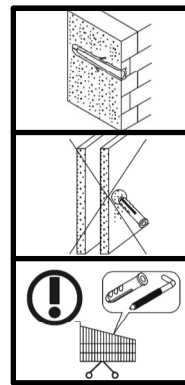
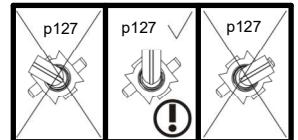
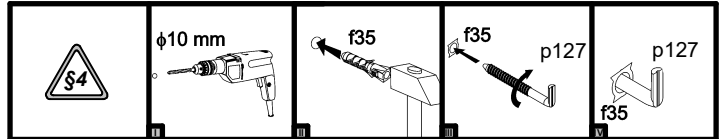
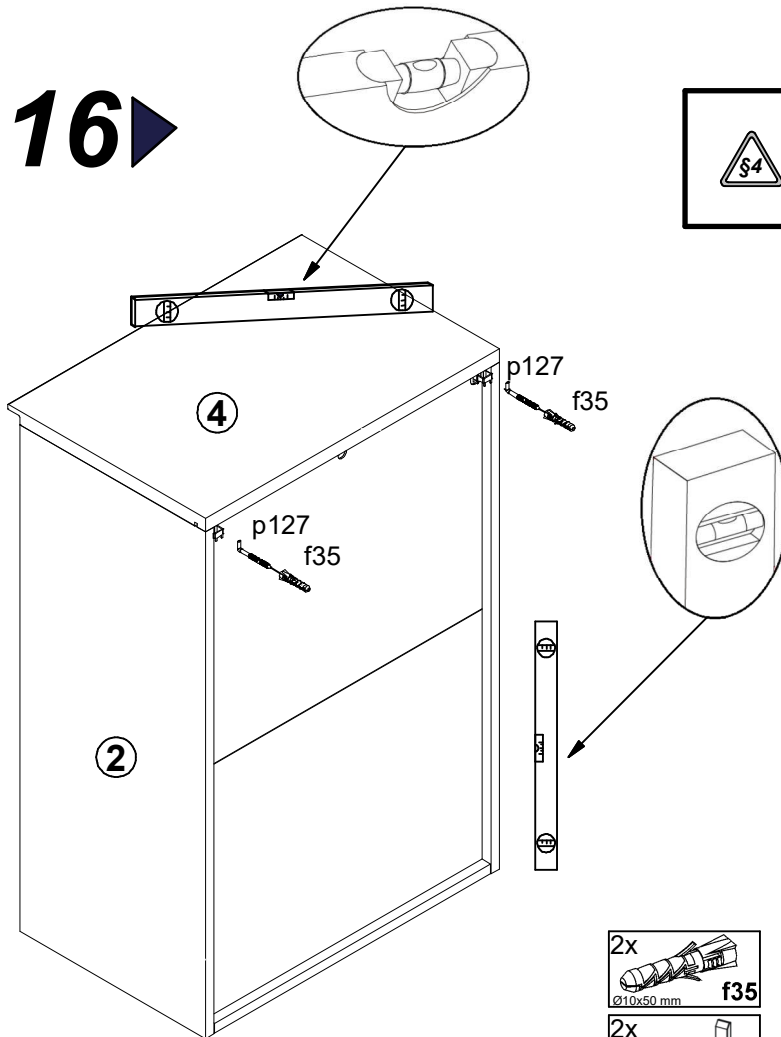
14





15

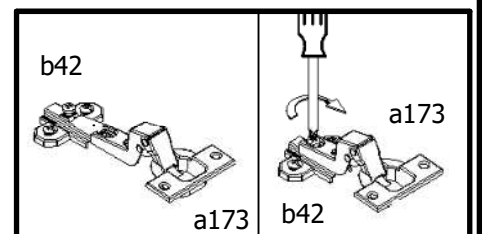
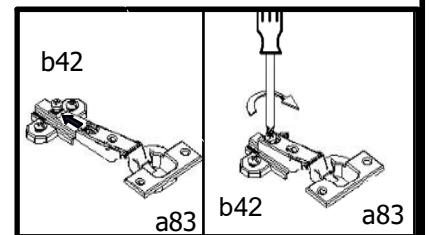
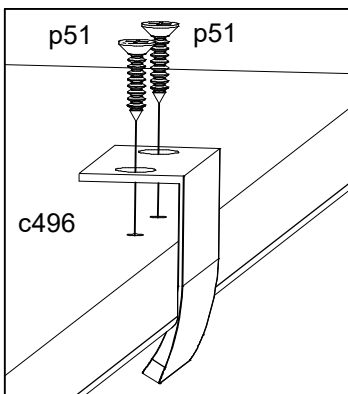
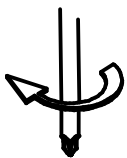
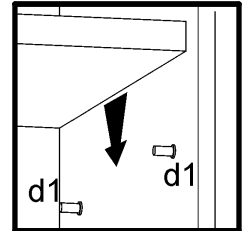
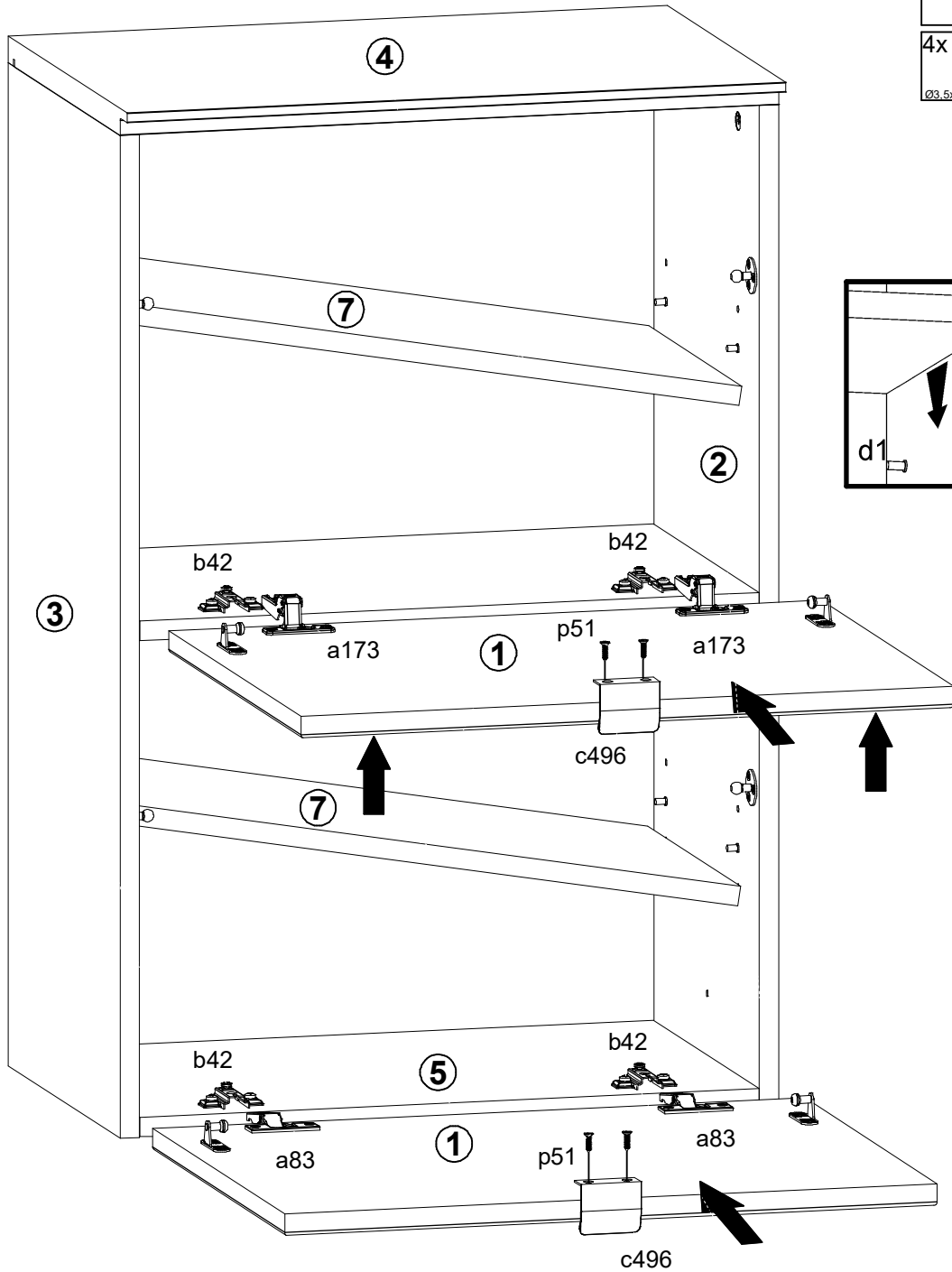


16

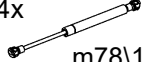



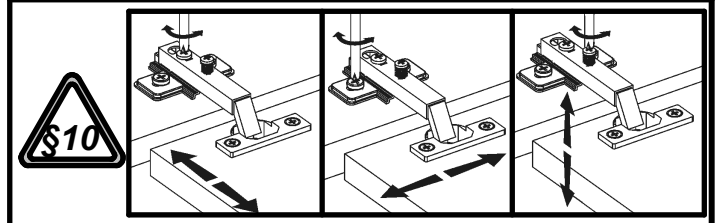
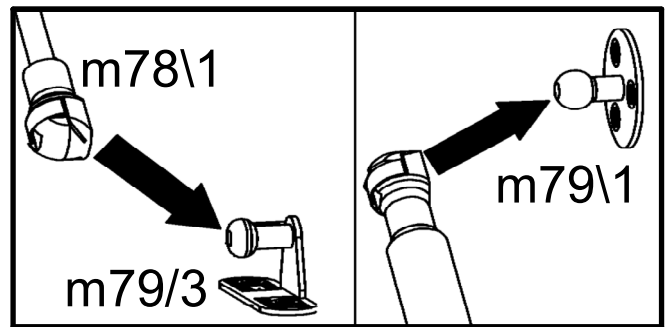
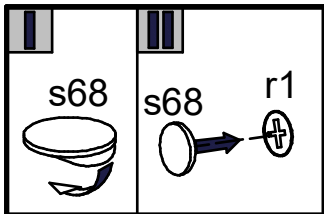
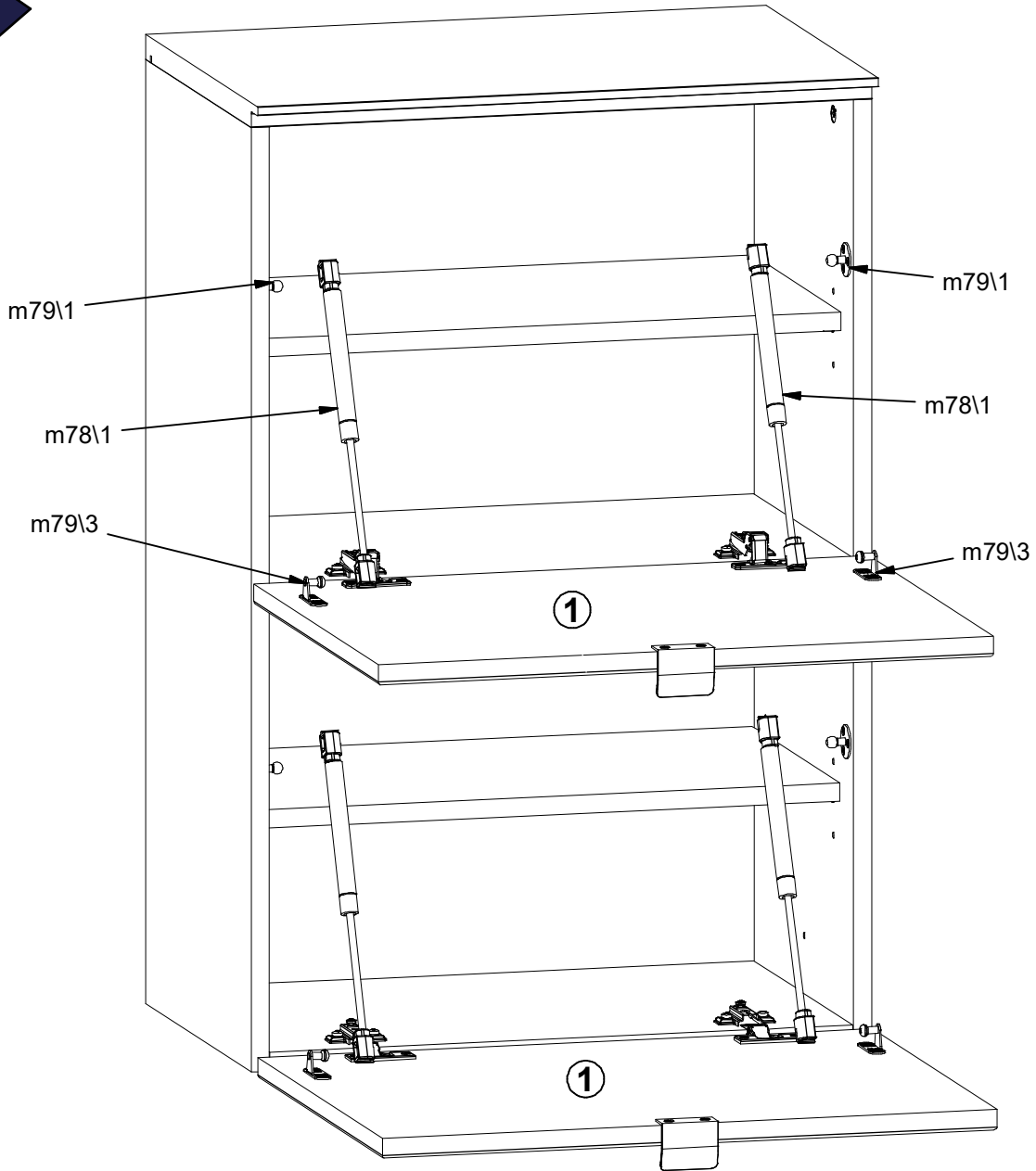
17

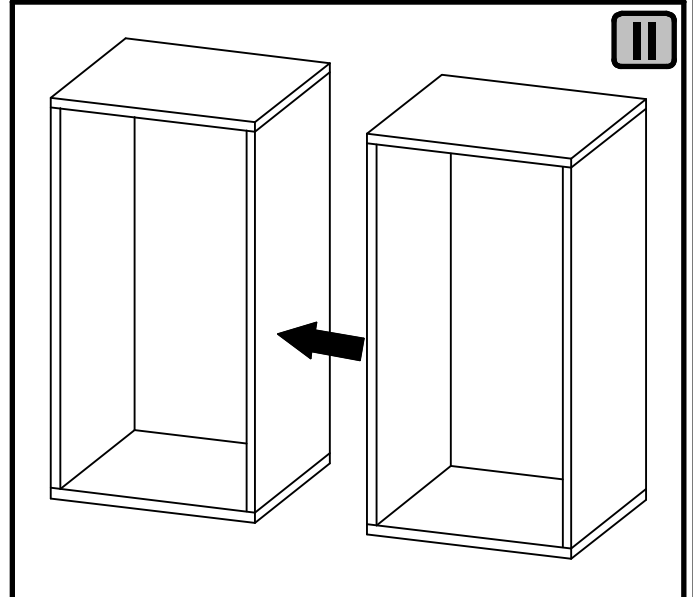
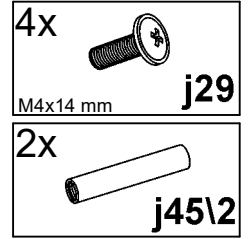
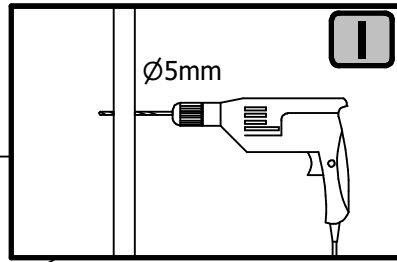
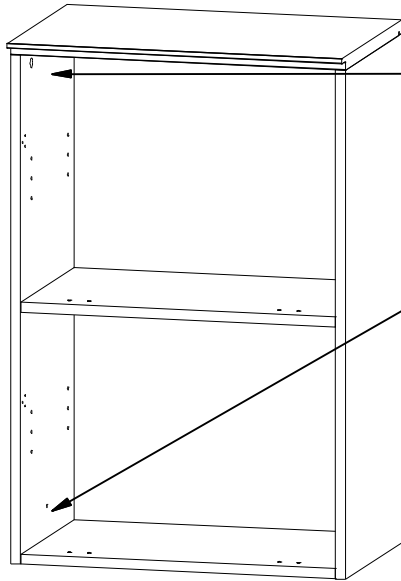
- 2x  c496
- 4x  p51
Ø3.5x15 mm



18 ▶

- 4x  m78\1
- 12x  s68
Ø 20mm





OPTION

