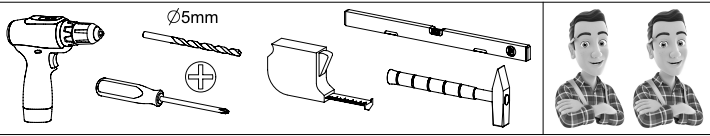
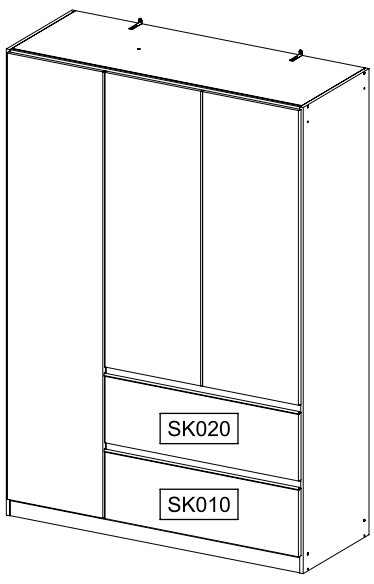
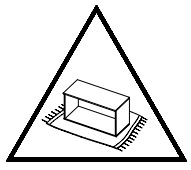


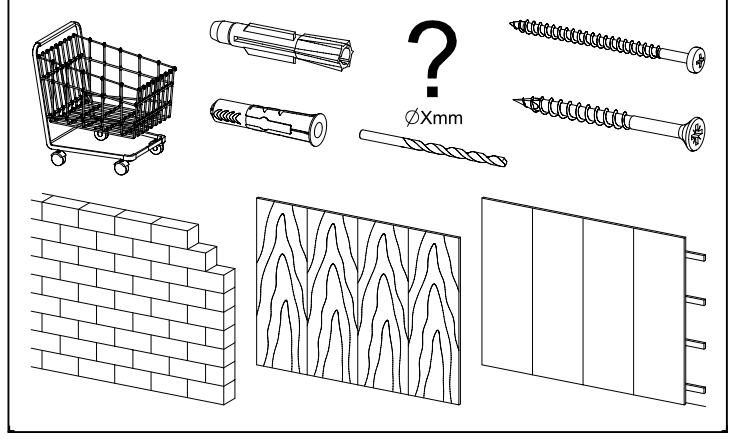
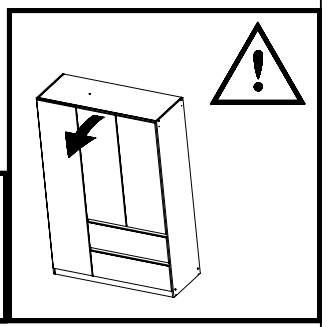
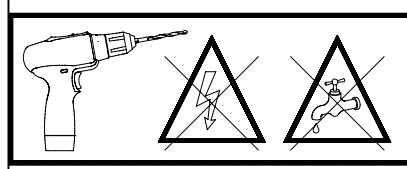
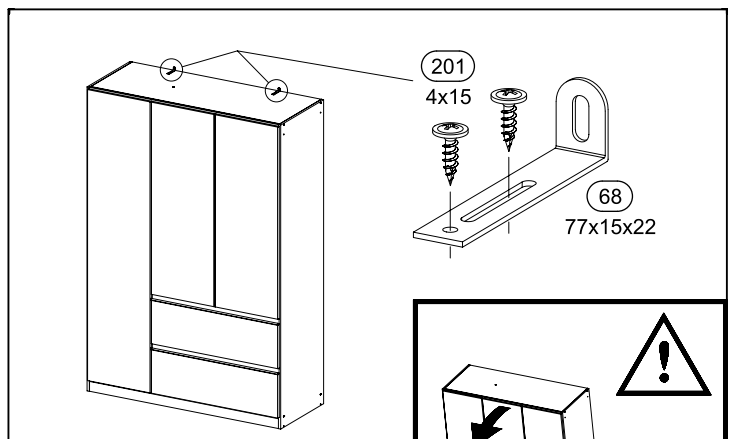
M2869_01



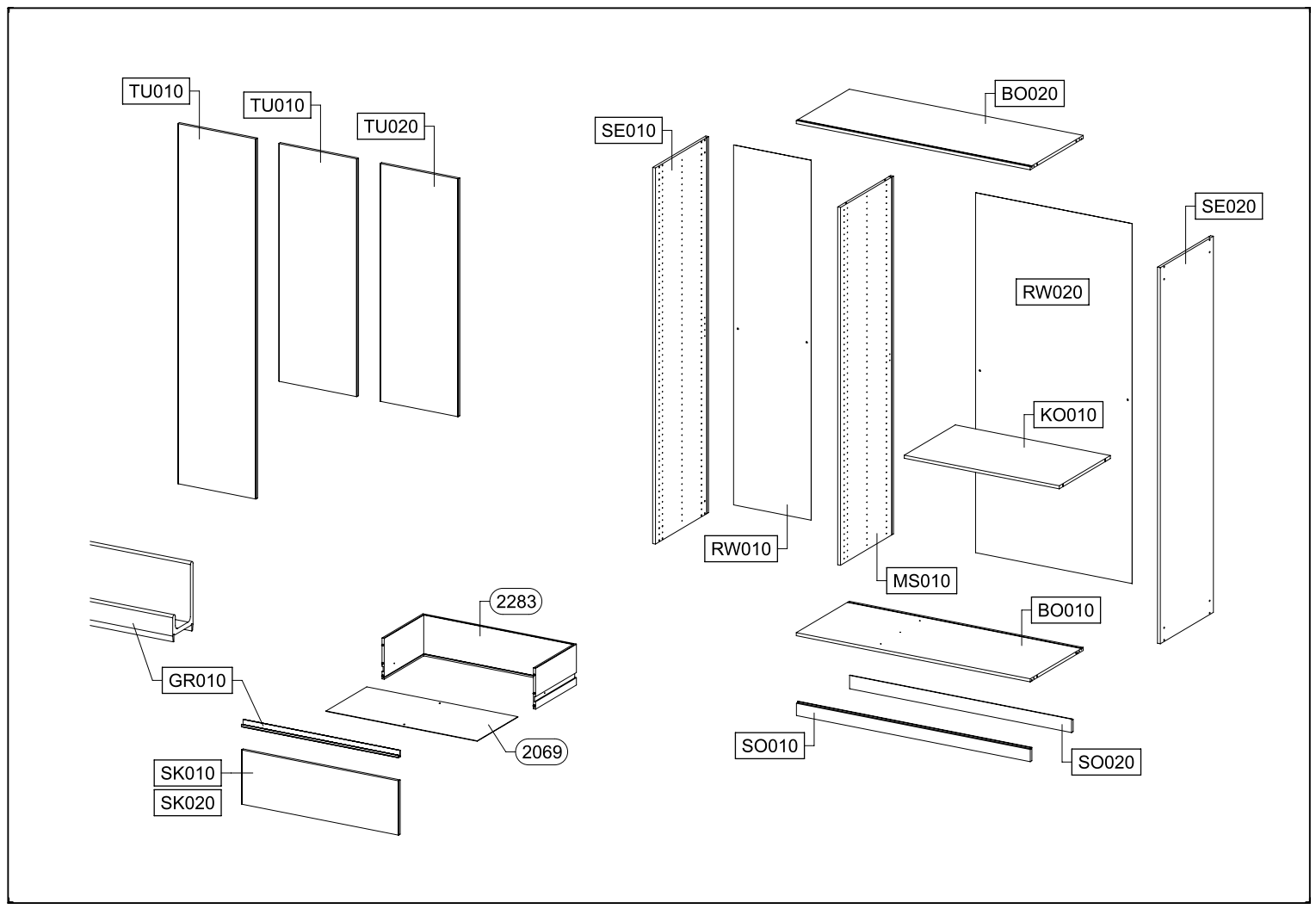
3-4h



M2869

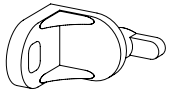
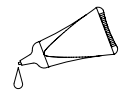
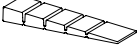
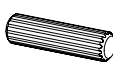
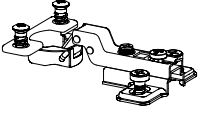

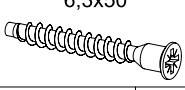
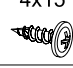
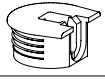

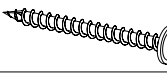

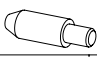
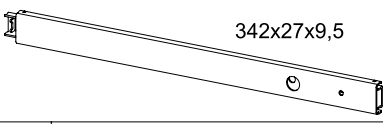


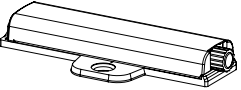
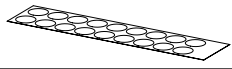
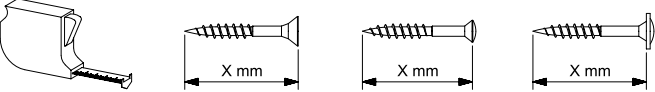


M2869

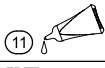

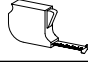



M2869

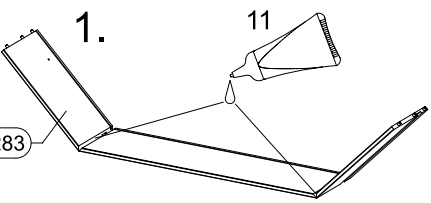
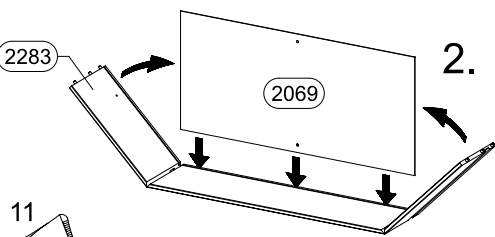
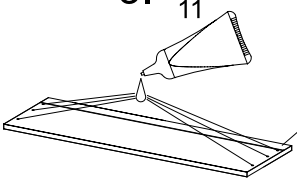
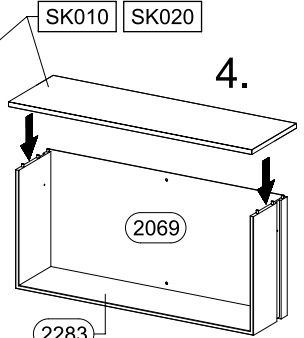
M2869

8x ① 	⑪ 	2x 55x16x6,2 ⑫ 
8x 8x30 ⑱ 	7x ⑪⑥ 	4x 3,5x15 ⑳⑤ 
8x 6,3x50 ⑳③ 	4x 4x15 ⑳① 	4x ⑳④ 
4x 5,0x7,0 ⑳④ 	1x 4,5x50 ⑳⑥ 	8x 6x8 ⑳③ 
4x ⑳⑦ 	4x ⑳⑨ 	
4x M4x9 ⑳⑥ 	10x 6,5x12 ⑳⑨ 	3x ⑳③① 
1x RE⑩① 		
		

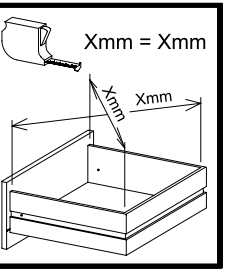
M2869

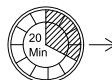
② 	⑪ 	
---------------------------------------------------------------------------------------	---------------------------------------------------------------------------------------	-------------------------------------------------------------------------------------

VIDEO 

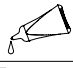
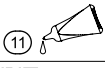
- 
- 
- 
- 


Xmm = Xmm

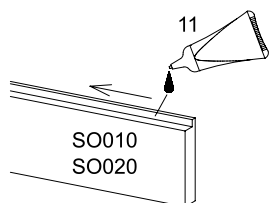
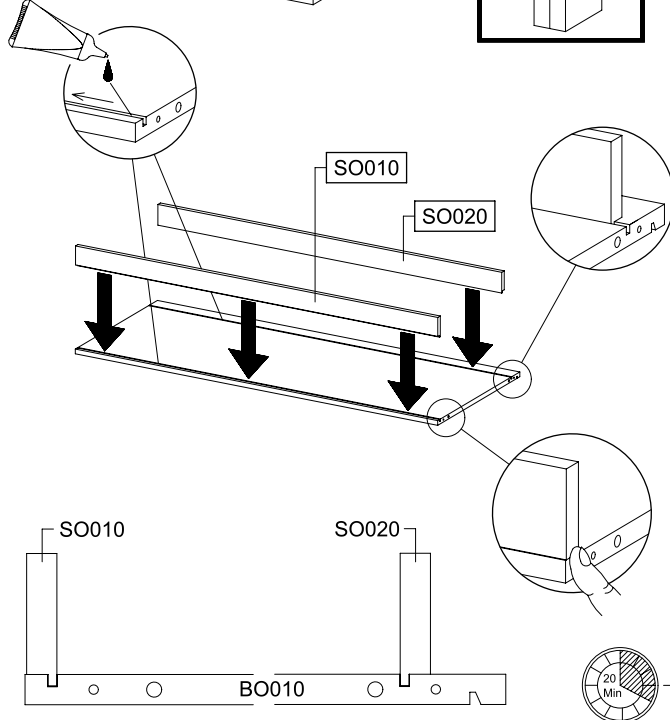


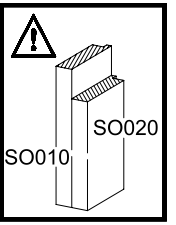


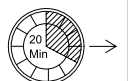
M2869

① 	⑪ 
-------------------------------------------------------------------------------------	-------------------------------------------------------------------------------------

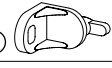

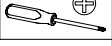
VIDEO 

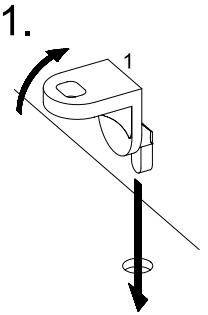
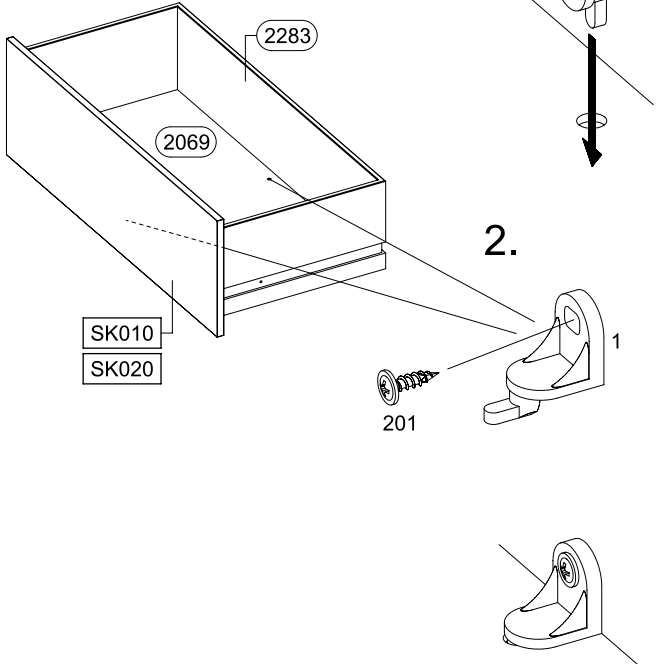
- 
- 

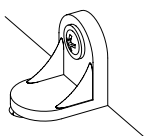




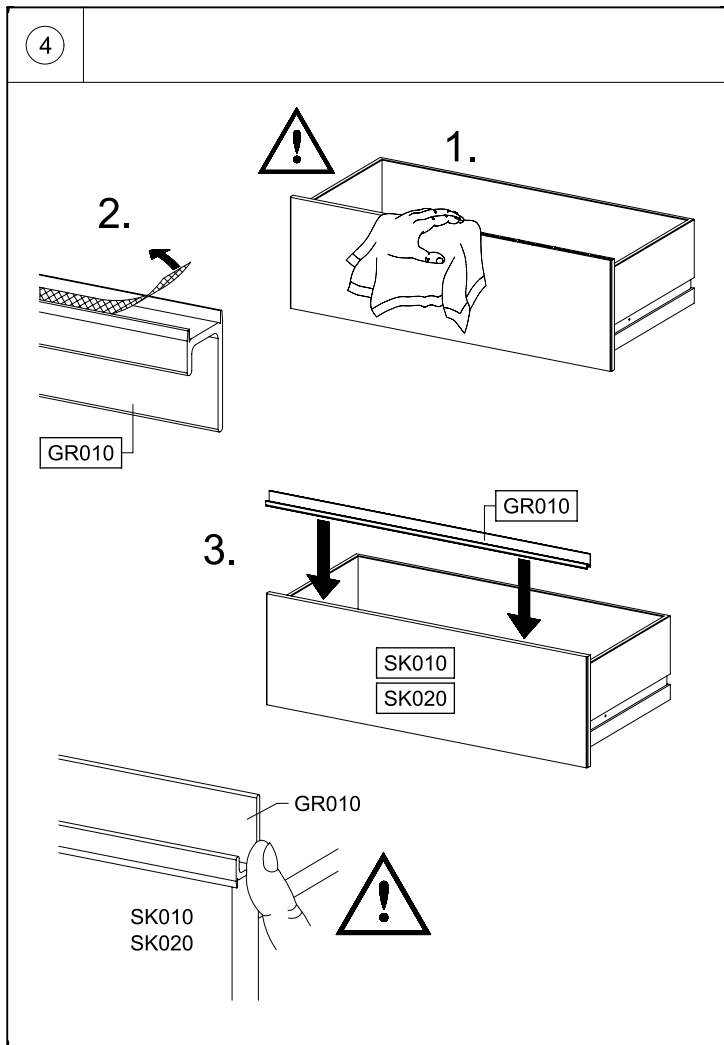
M2869

③	4x ① 	4x ⑳① 	
---	-------------------------------------------------------------------------------------------	---------------------------------------------------------------------------------------------	---------------------------------------------------------------------------------------

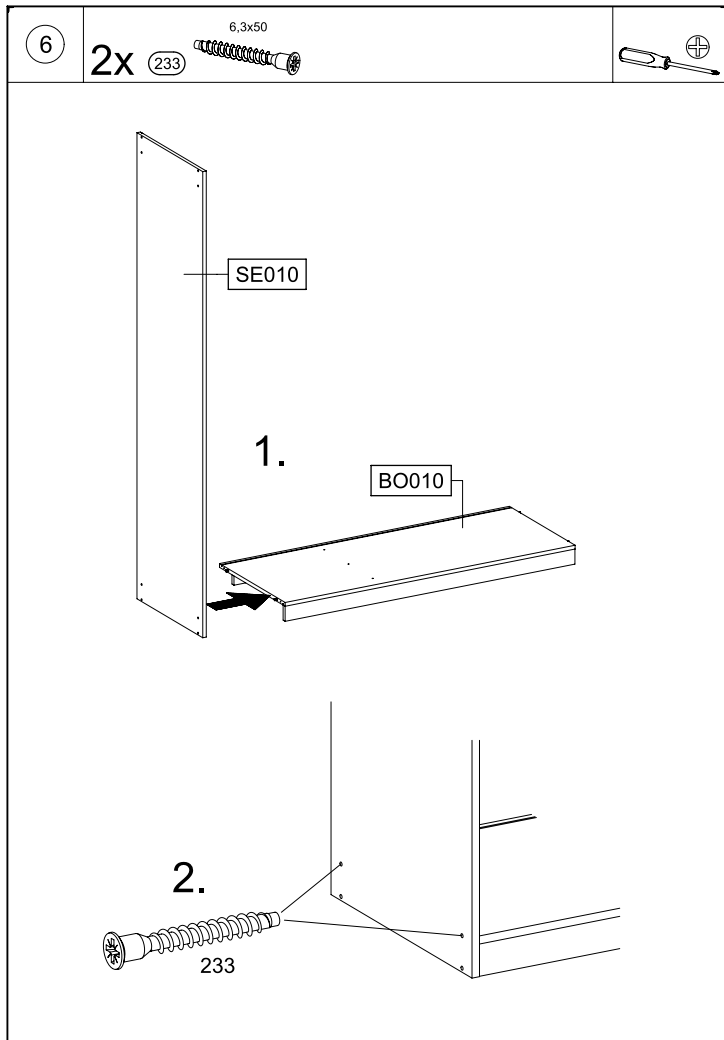
- 
- 



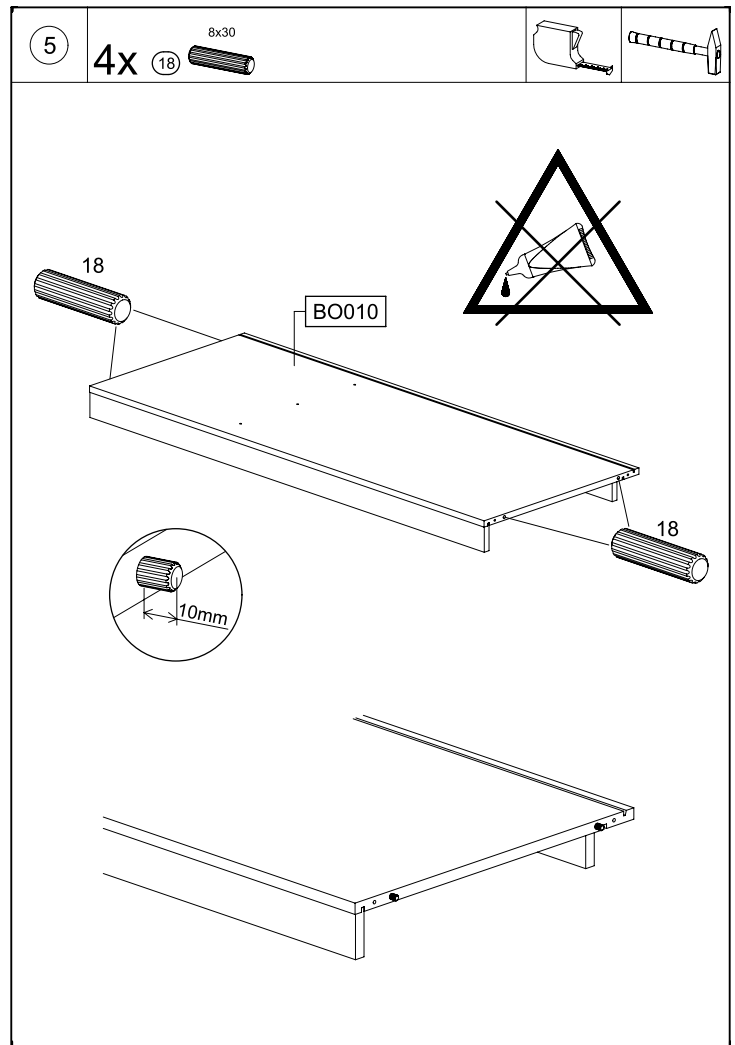
M2869



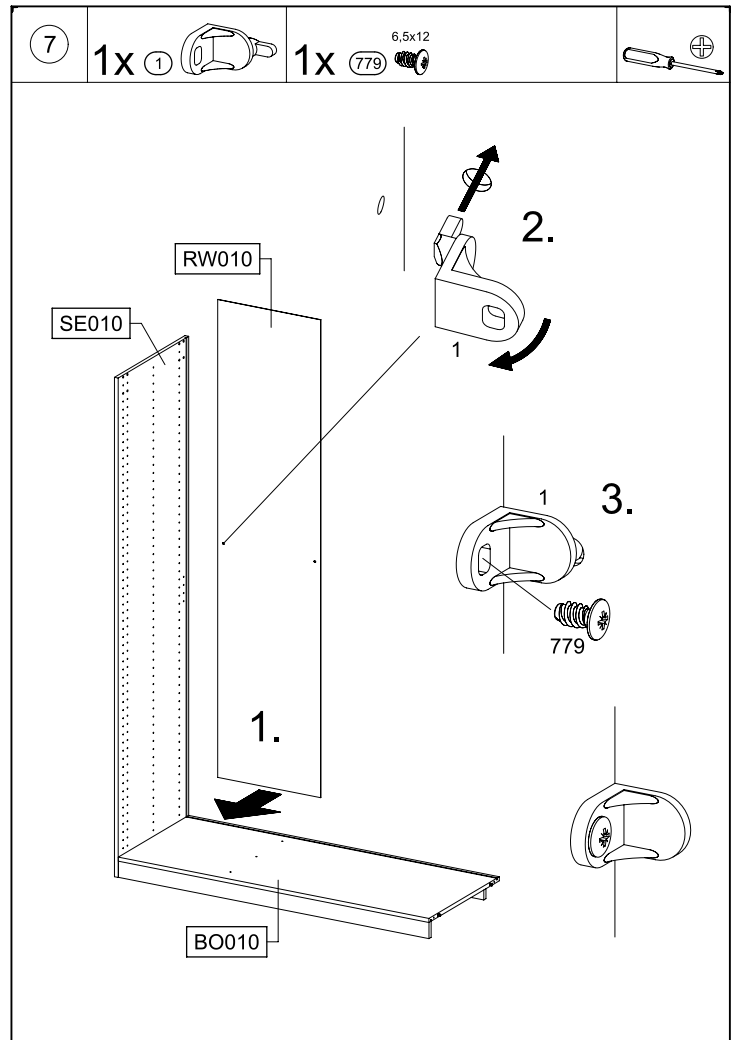
M2869



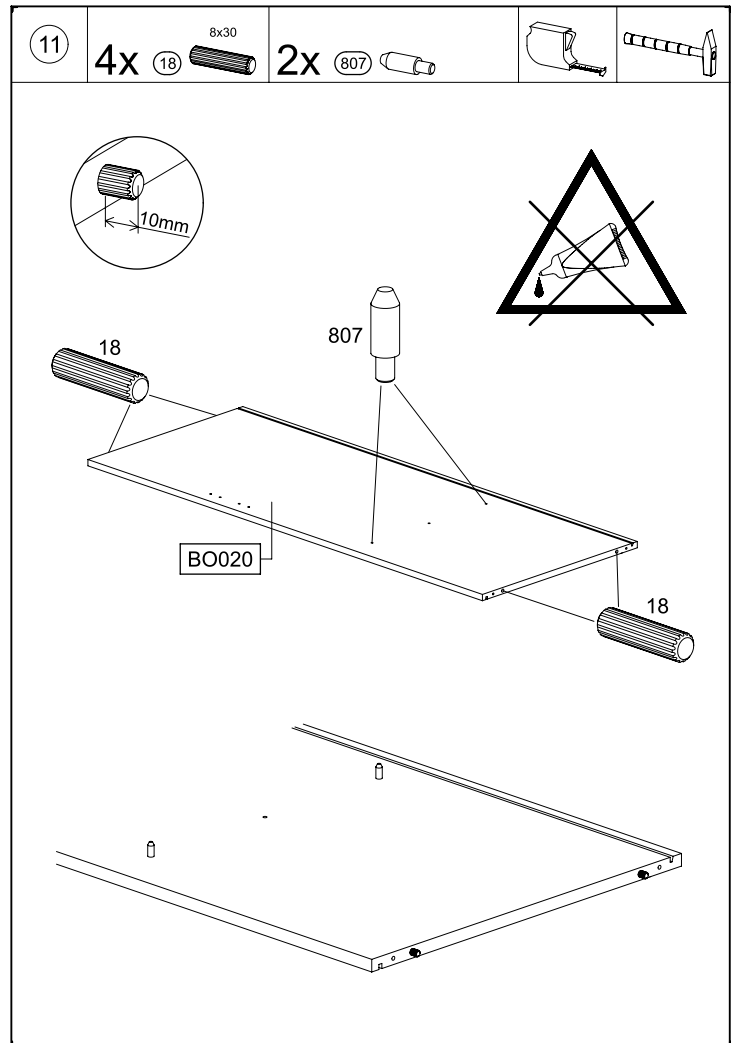
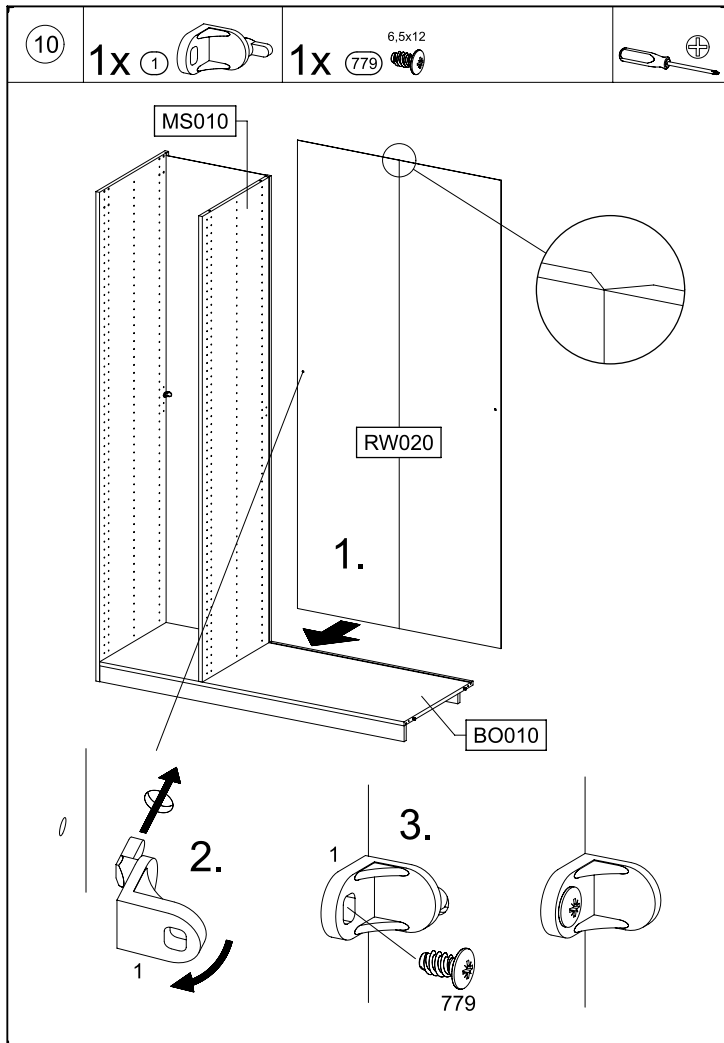
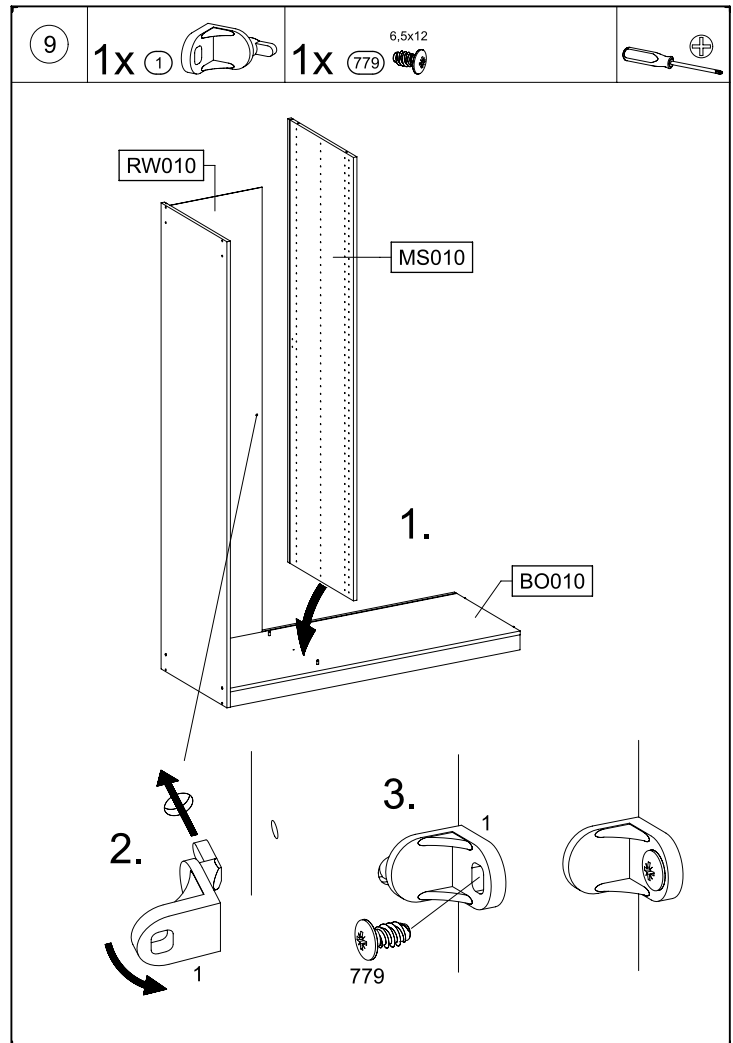
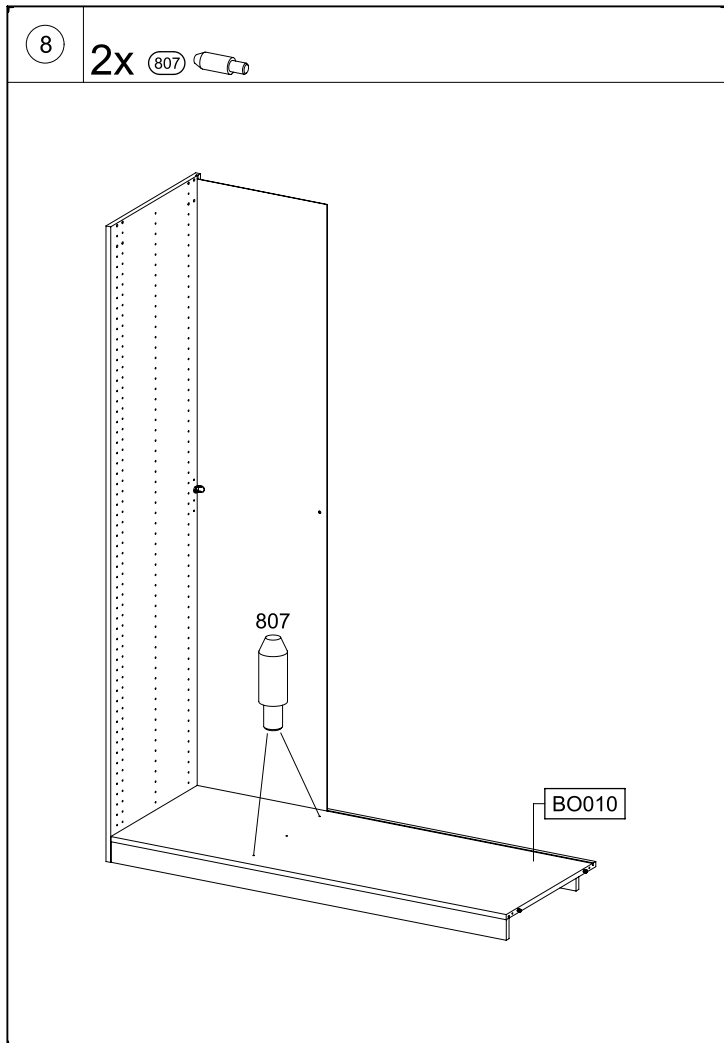
M2869

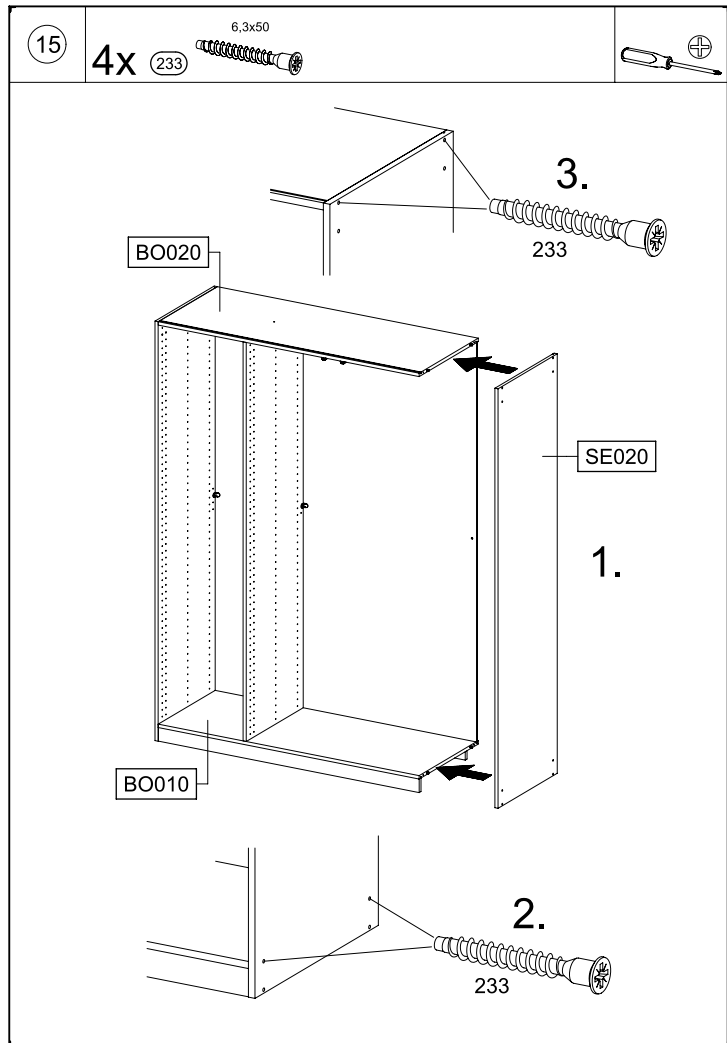
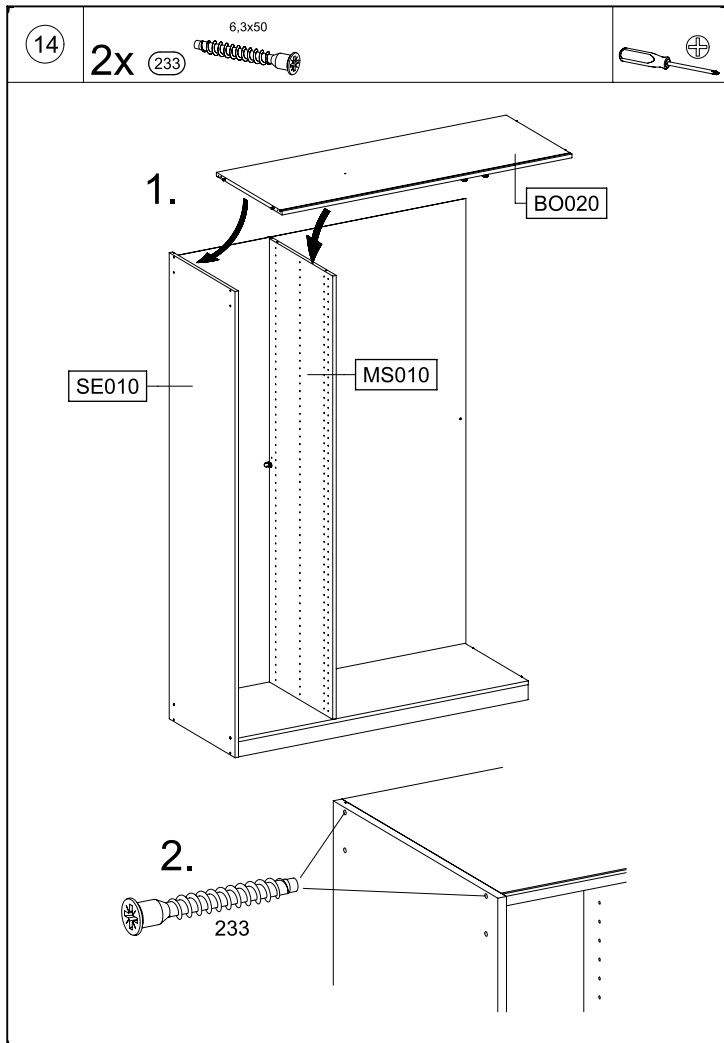
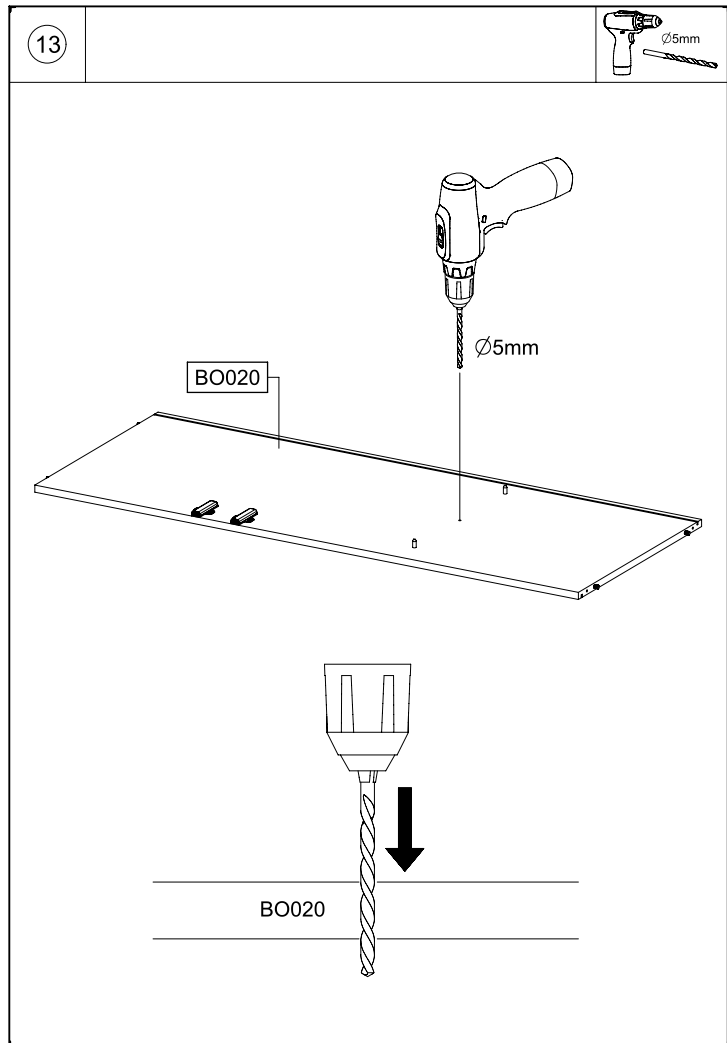
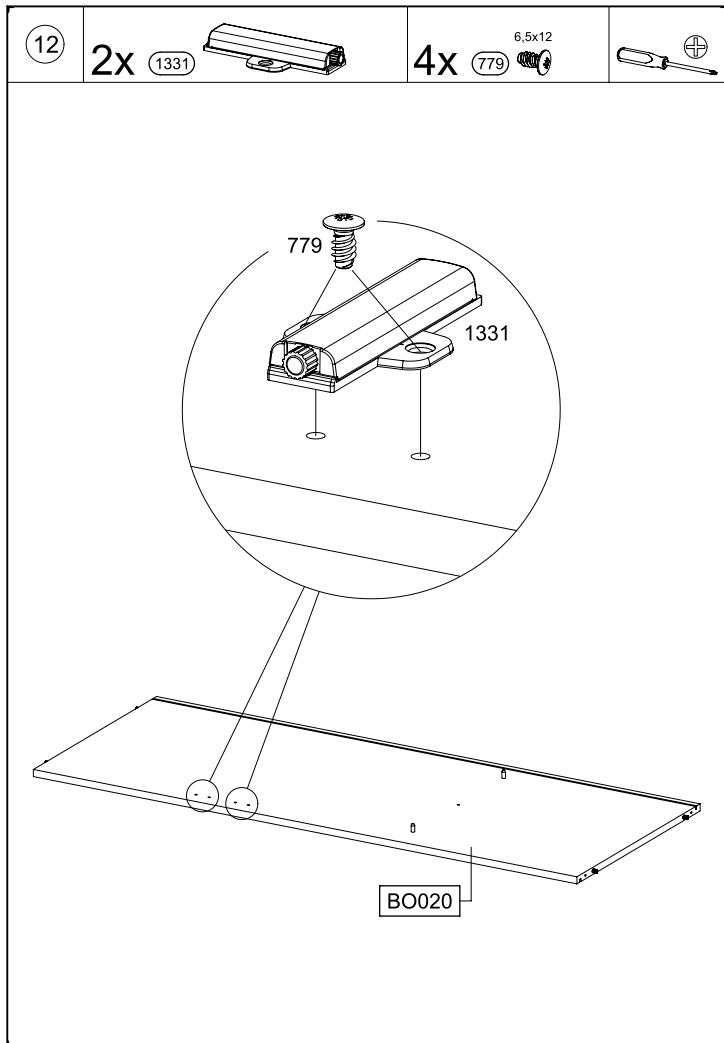


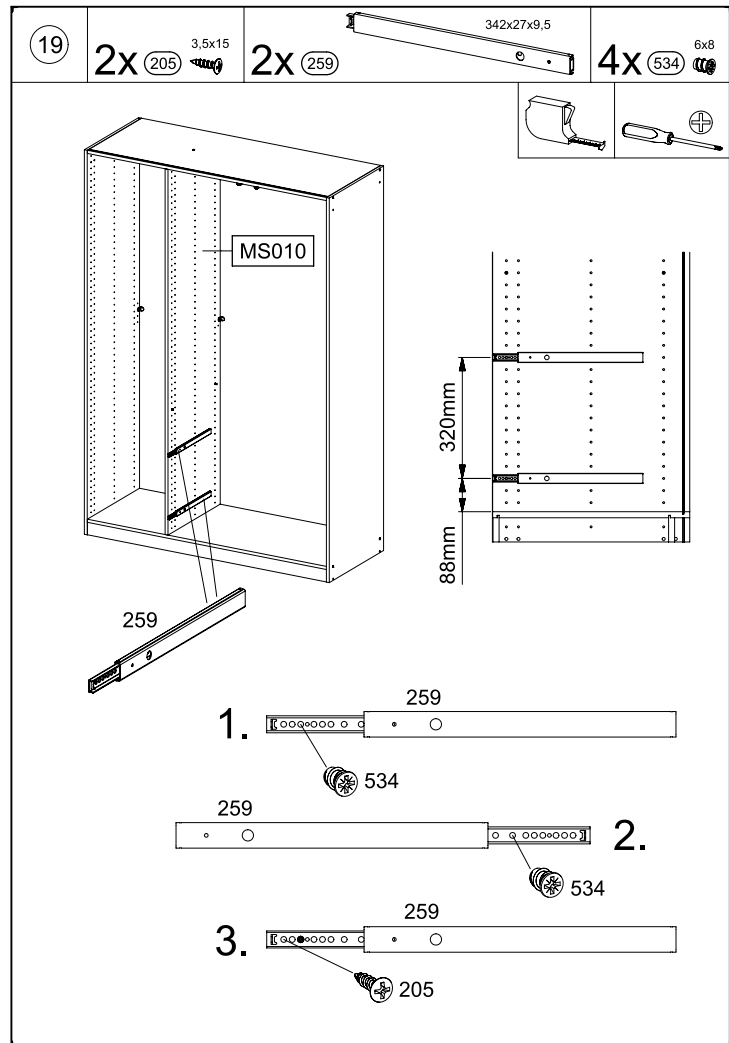
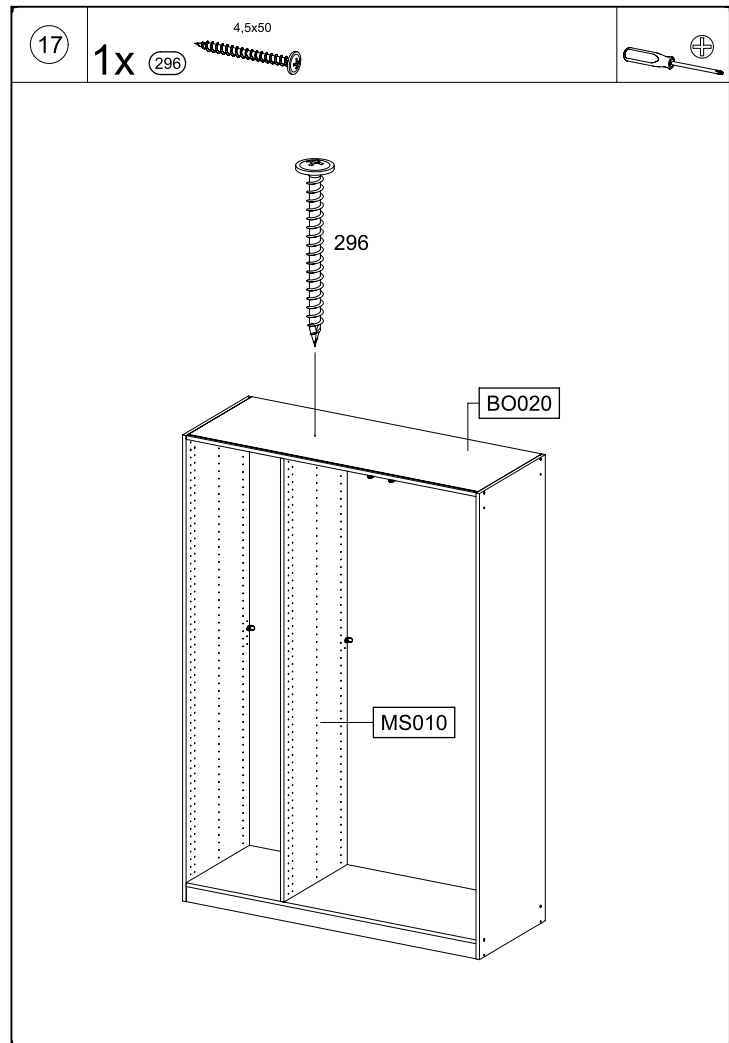
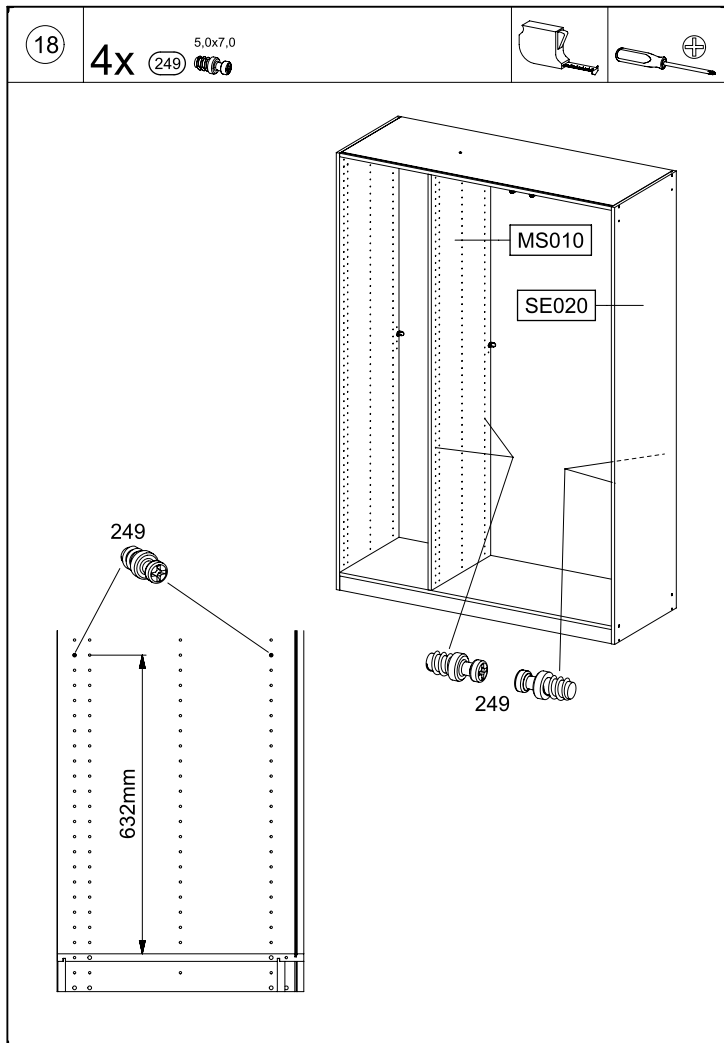
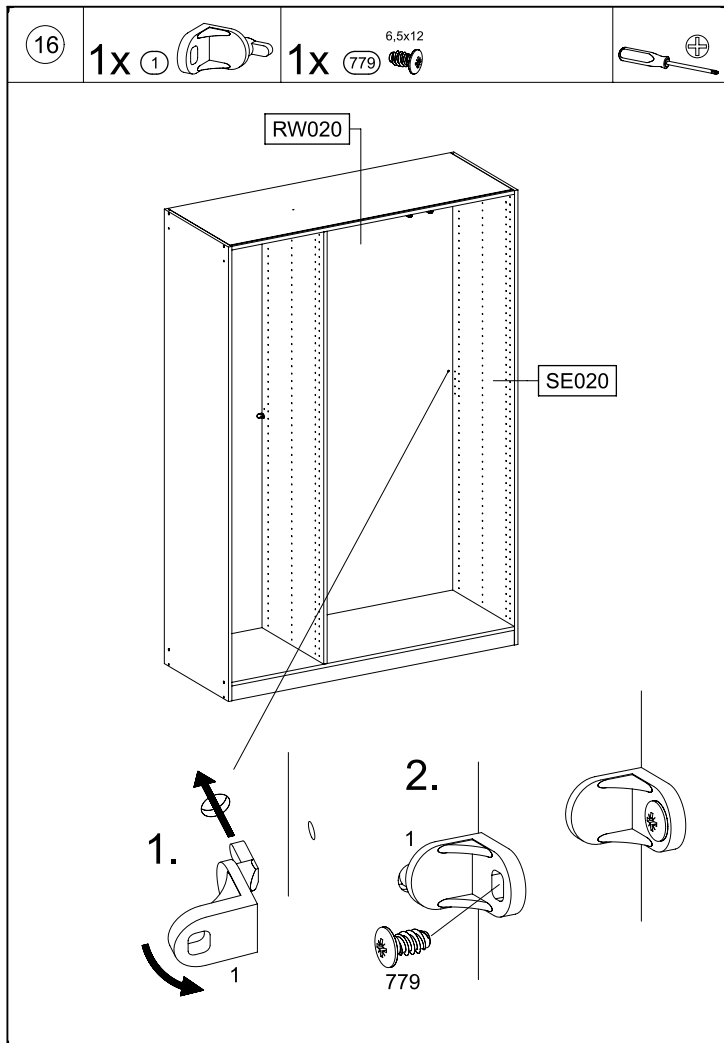
M2869

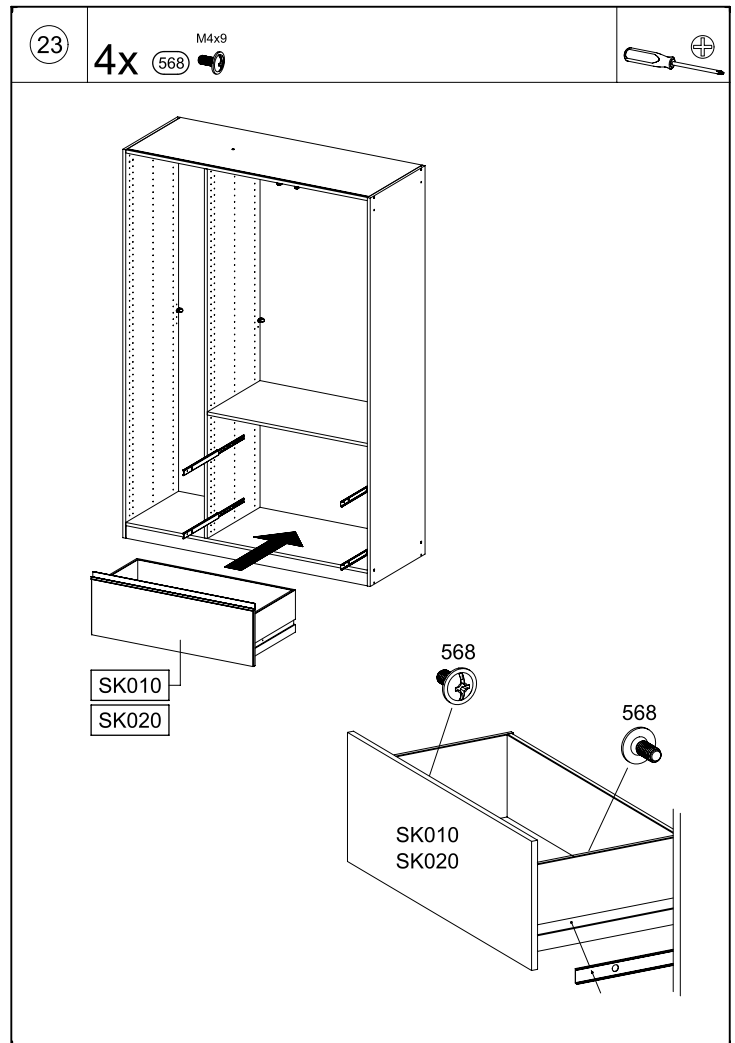
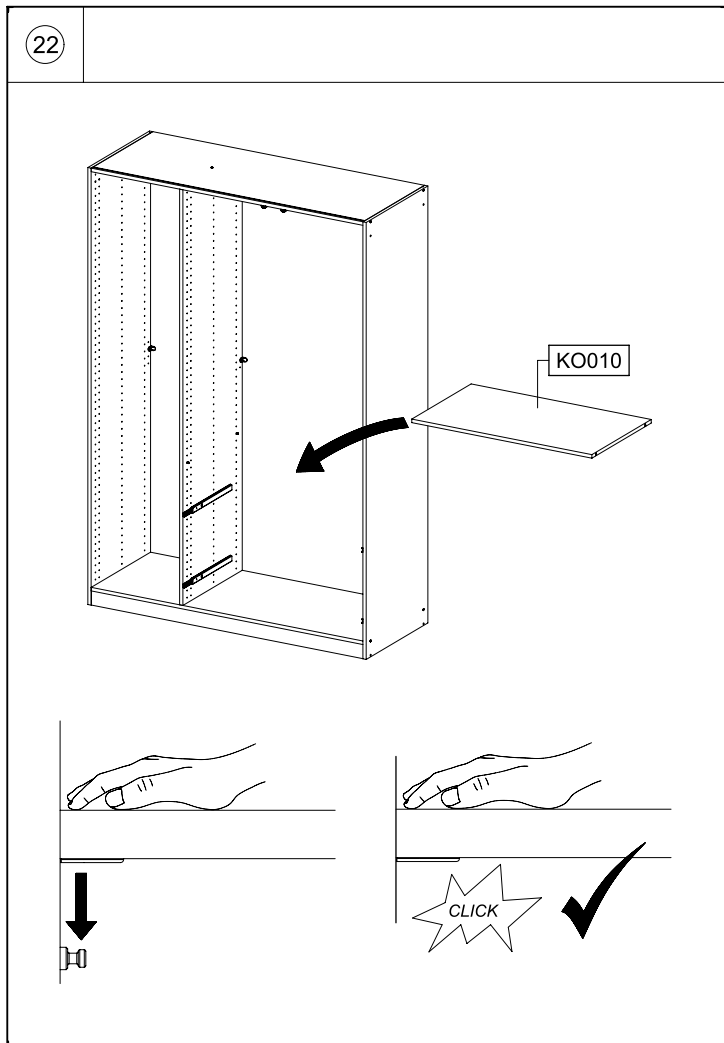
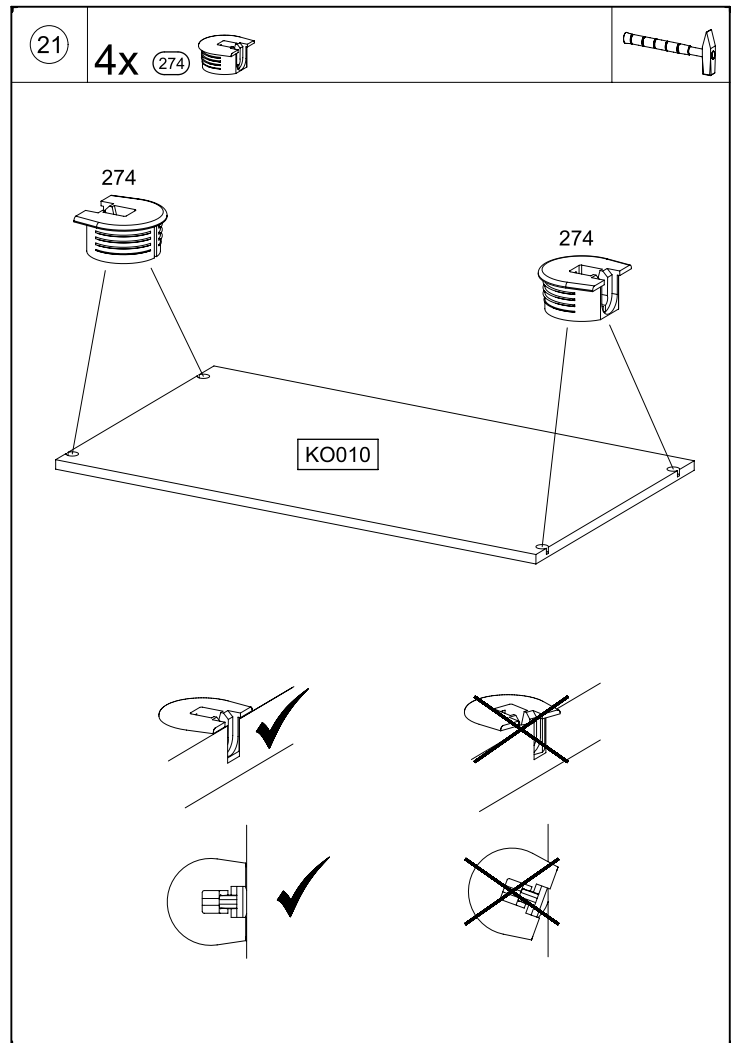
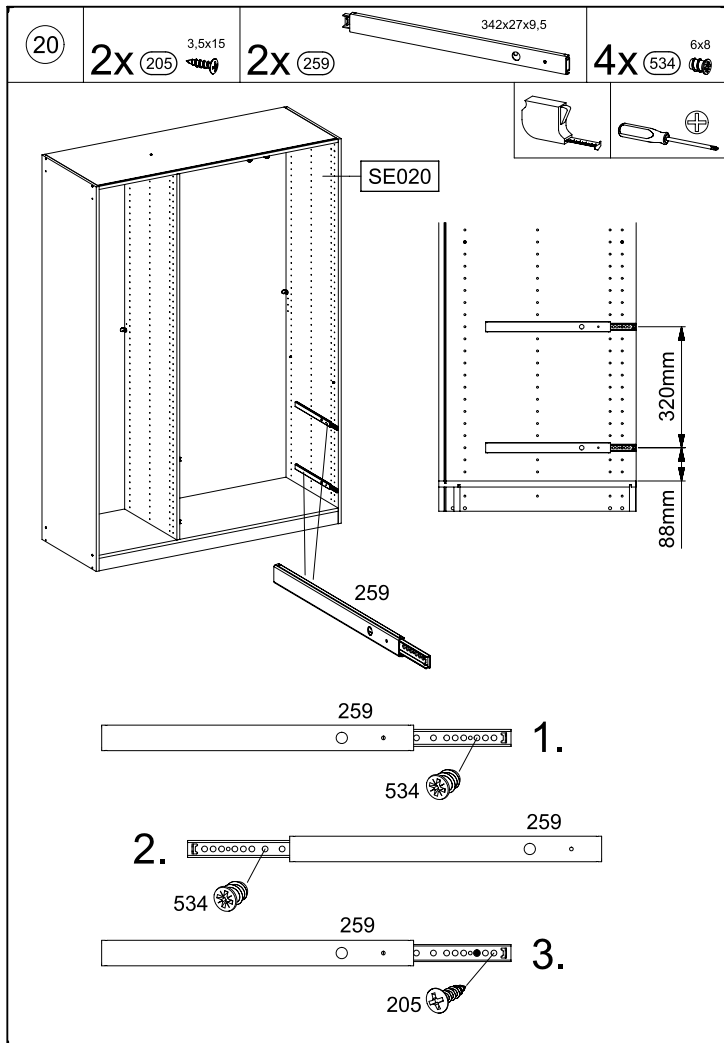


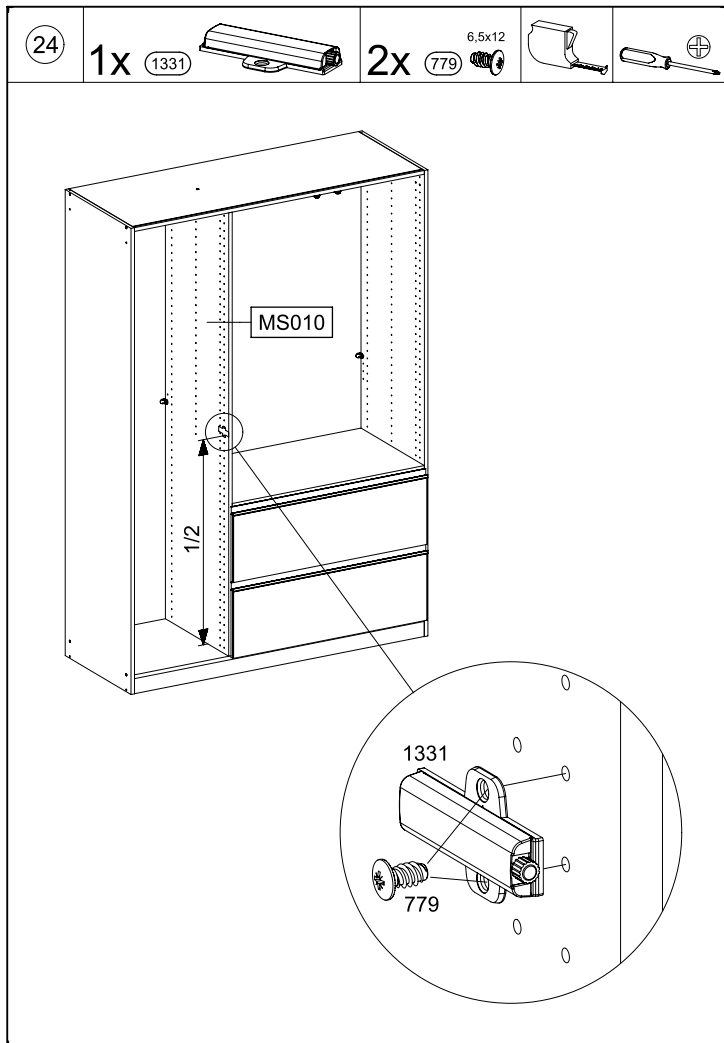
M2869





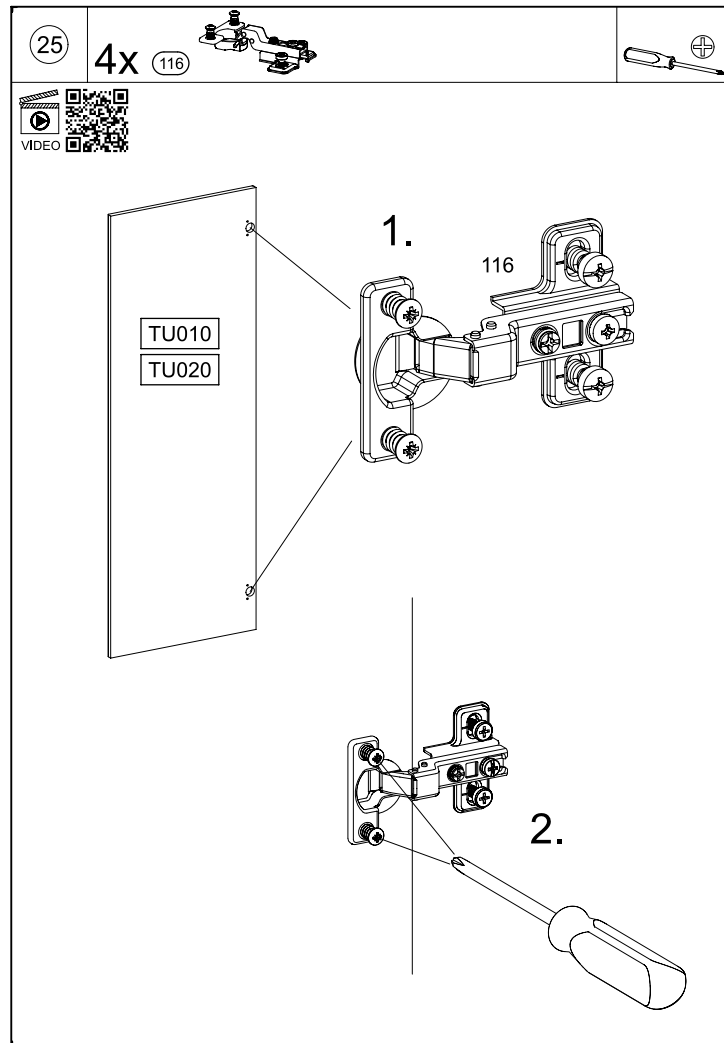






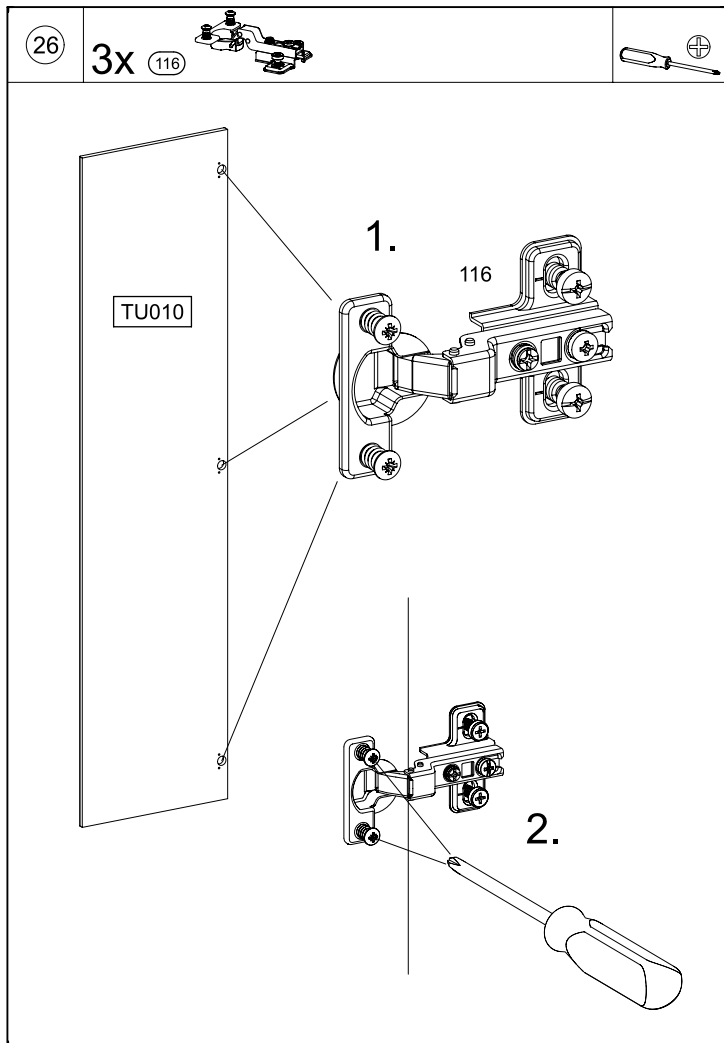
M2869

31.

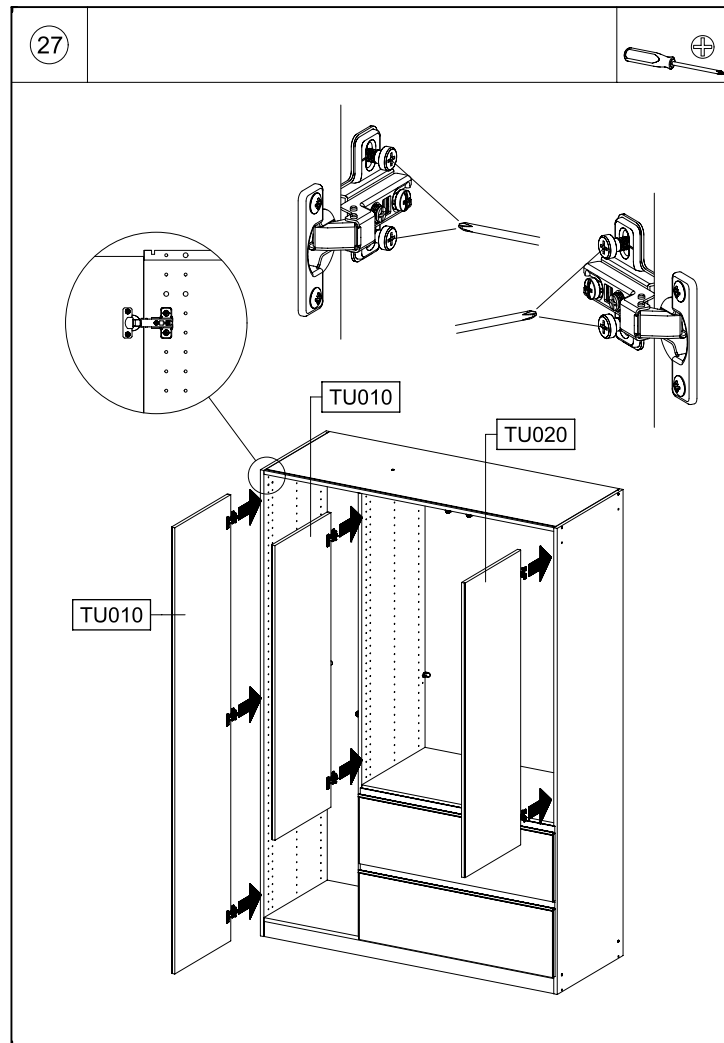


M2869

32.



M2869



M2869

