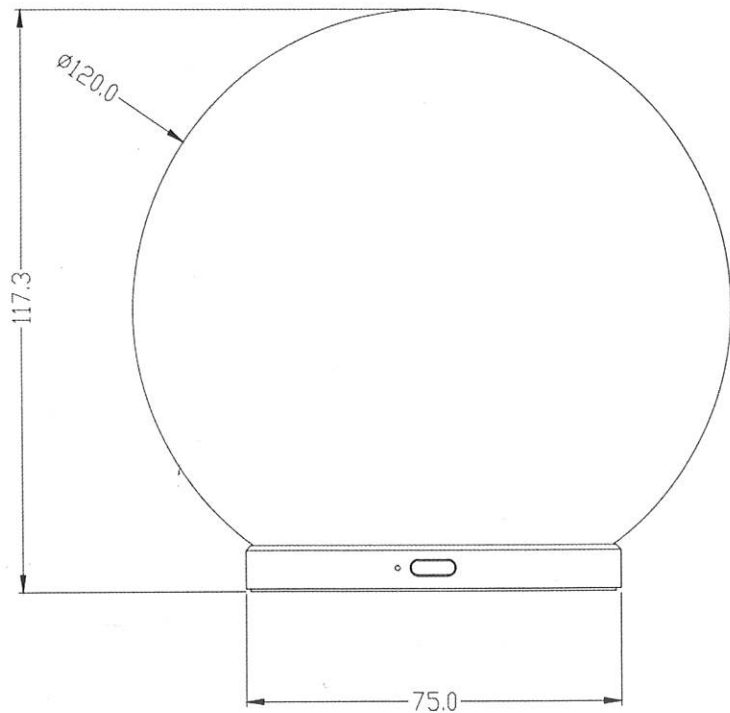


## Product Information



## Technical Specification

Stone Table Lamp

Input: DC5V Max 2A

Charging time: 2.5 Hours circa

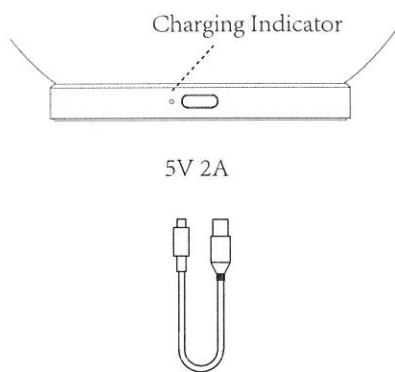
Battery life: 5 hours at 100%

22 hours at 20% circa

Watt: 2.2W Lumen: 96lm

Kelvin: 3000K CRI ≥ 90

The Li-ion battery pack are replaceable. Please check our website or contact our sales support team.



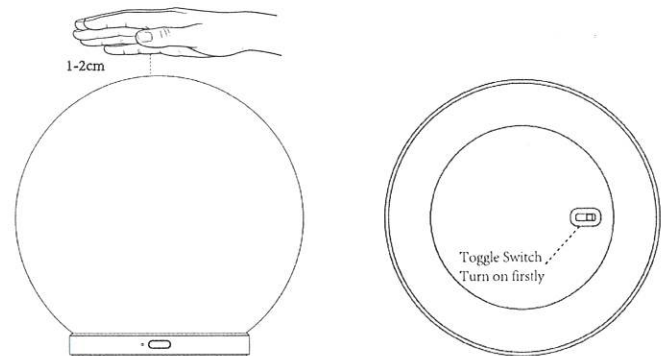
### Charging Function Instructions

1. Please use the charging cable that comes with this product to charge.
2. When the battery charging is performed, the charging indicator light flashes, when the battery is full, the charging indicator light is always on.
3. **Note: The bottom switch must be ON for charging to work.**

### Special instructions

When the battery output voltage is lower than 3.2V, the control system will cut off the output to protect the battery. Then the light will be turned off, if such a situation occurs, please charge the product until it is full.

Radar Sensing: Sweep within 2cm above the sphere



- 1st sweep = full brightness (100%)
- 2nd = 50% brightness
- 3rd = 20% brightness
- 4th = light off

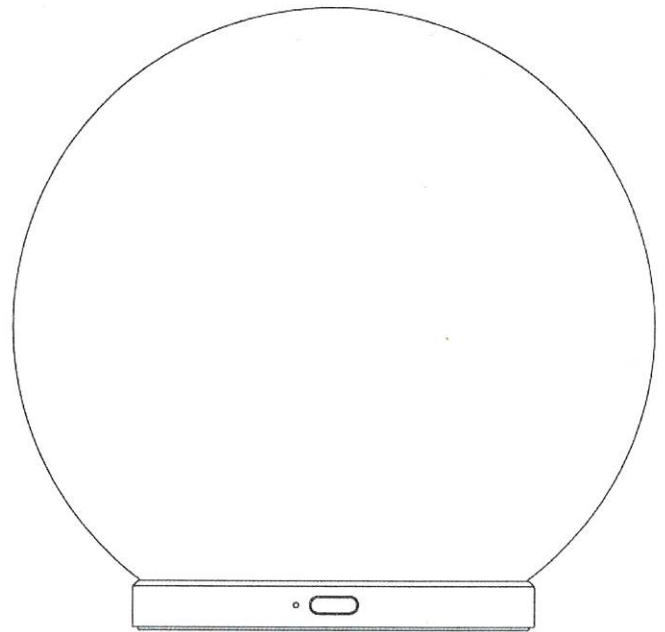
### Radar Sensing Function Description

1. Turn on the switch on the bottom base and wait 5 seconds for the lamp to start up and enter working mode.
2. Sweep your hand within 2cm above the stone: the first sweep activates the light at 100% brightness; the second sweep reduces it to 50%; the third sweep lowers it to 20%; and the fourth sweep turns the light off.
3. If the lamp is not in use for an extended period or needs to be transported, turn off the bottom switch to prevent false triggering of the radar sensing function during transit.

Thanks for buying our Stone Table Lamp

We hope you will enjoy using it.

Please follow these instructions carefully to ensure the safe and correct installation of your new lamp.



**STONE TABLE LAMP**

## Component Overview

### Warning

Improper installation, adjustment, alteration, service, maintenance or use can cause personal injury or property damage.  
Before installing, always turn off the power for the circuit

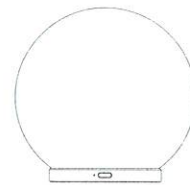
### Caution

Keep this product and its packaging out of children's reach.

### Disposal

At the end of its life, dispose of this lamp in the correct waste bin or at a recycling station. Do not discard as household waste.  
Your local authority can provide further information on where and how it can be disposed of.

The EU Waste from Electrical and Electronic Equipment (WEEE) Directive 2005 encourages the recycling of this item.



1\*Lamp



1\*USB cable

### Note

Contact a qualified electrician if you experience any issues during installation.

The external cable cannot be replaced.

If damaged, it must be replaced only by the manufacturer, their service agent or another qualified individual.