



ST-3030/40470015

Notify Party: XXXLutz KG, Roemerstrasse 39, AT-4600 Wels, Austria, UID: ATU65296645



A
8x



B
6x



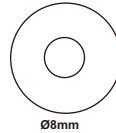
D
26x



E
26x



F
4x



G
24x



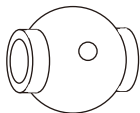
H
16x



I
4x



J
4x



K
4x



L
16x



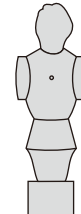
M
16x



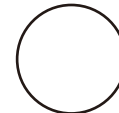
N
2x



O
11x



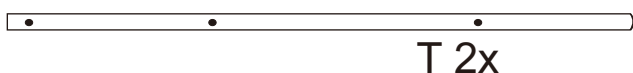
P
11x



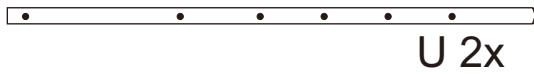
Q
3x



S 4x



T 2x



U 2x



S1 8x



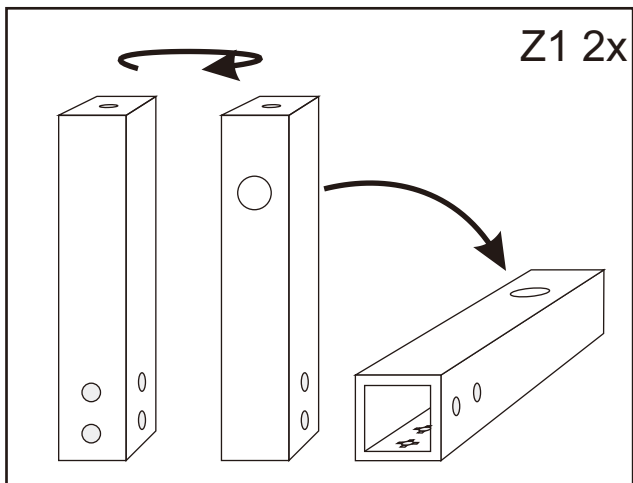
S2 8x



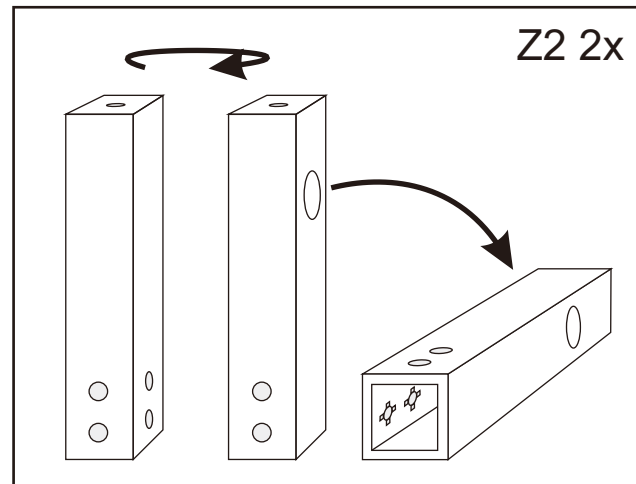
W 4x



X 2x



Z1 2x

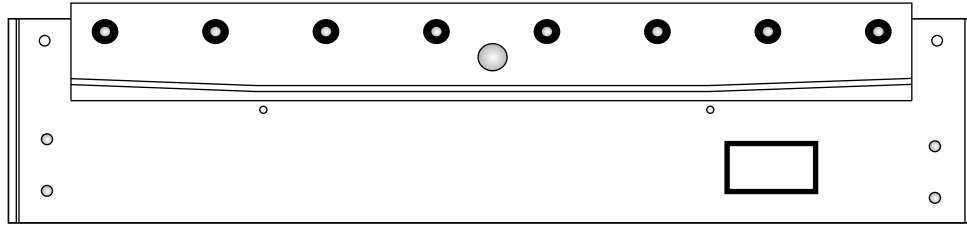


Z2 2x

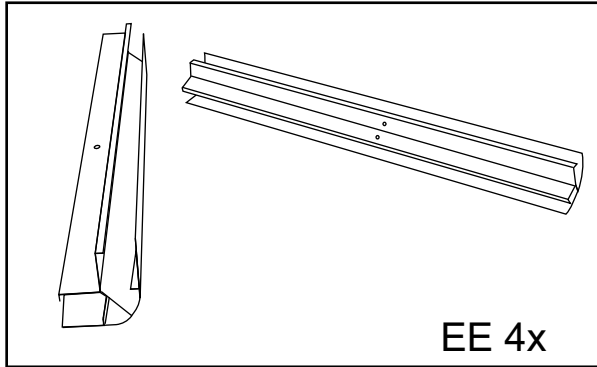


2x

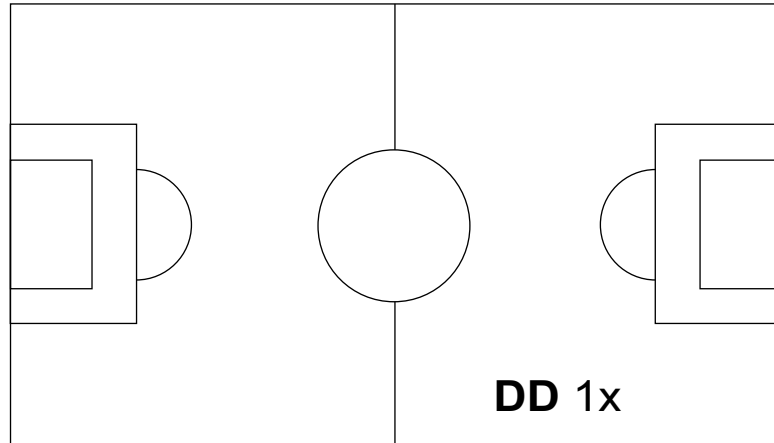
1



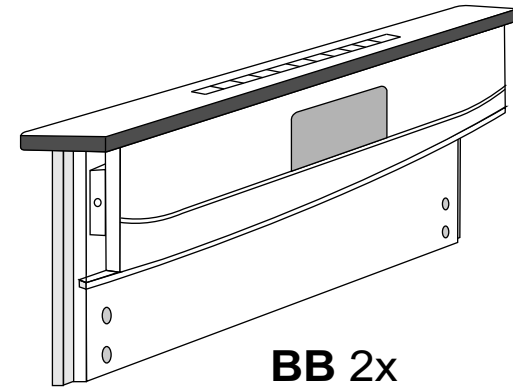
AA 2x



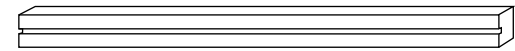
EE 4x



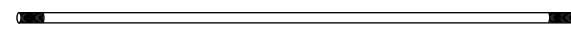
DD 1x



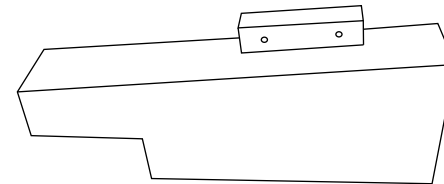
BB 2x



GG 2x

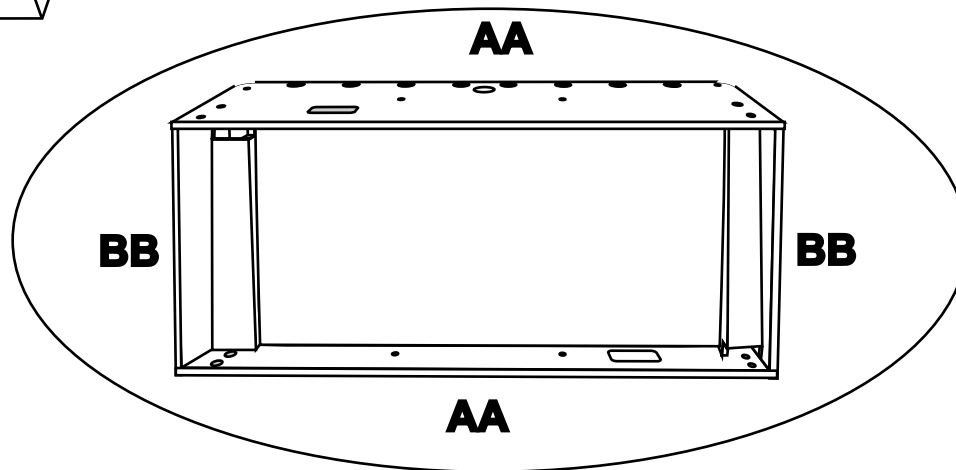
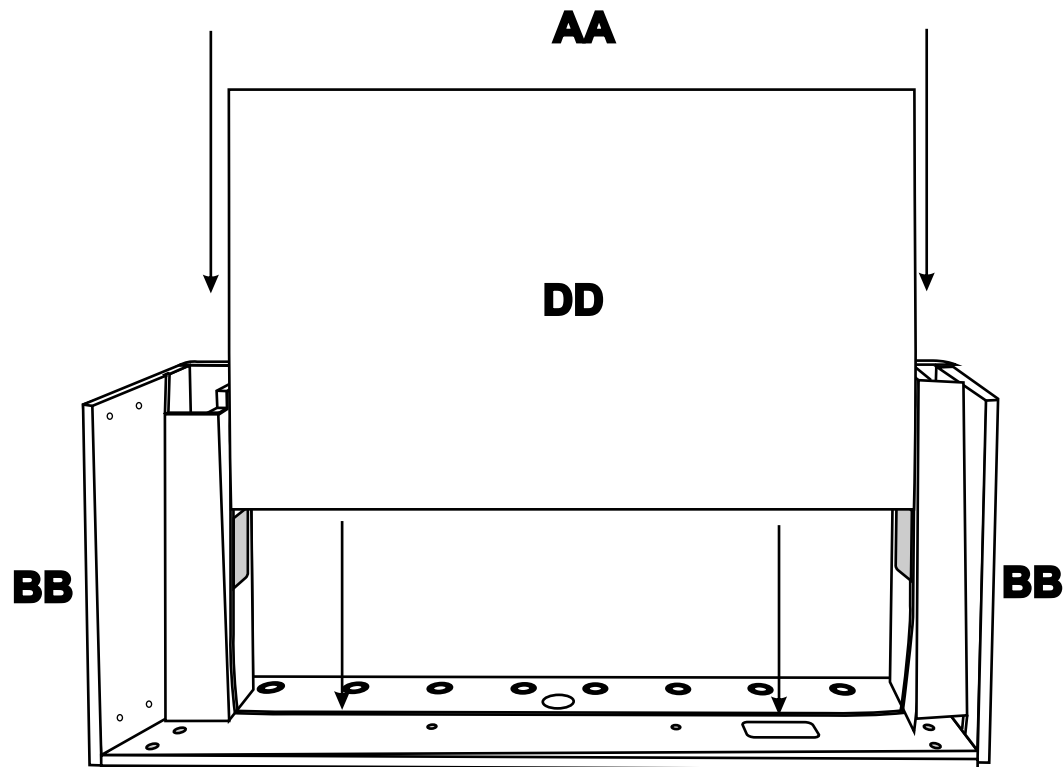
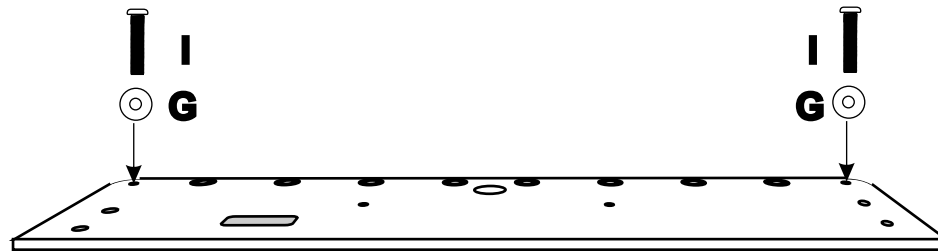
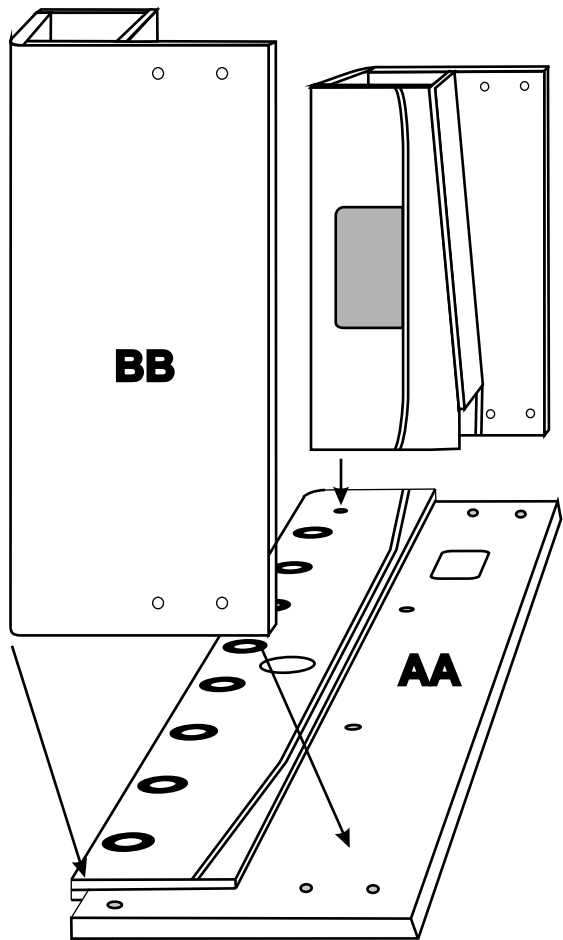


HH 2x



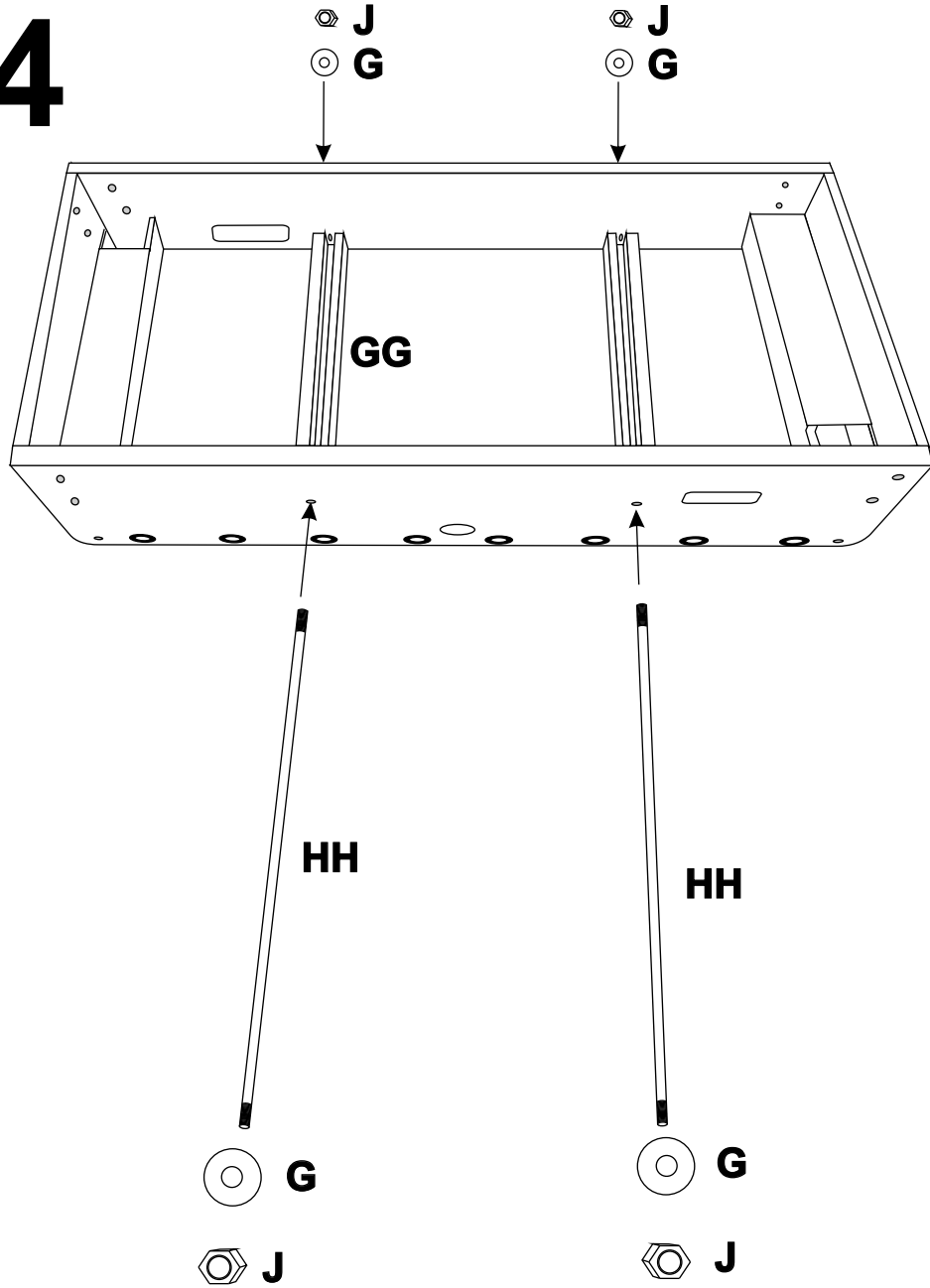
CC 2x

2

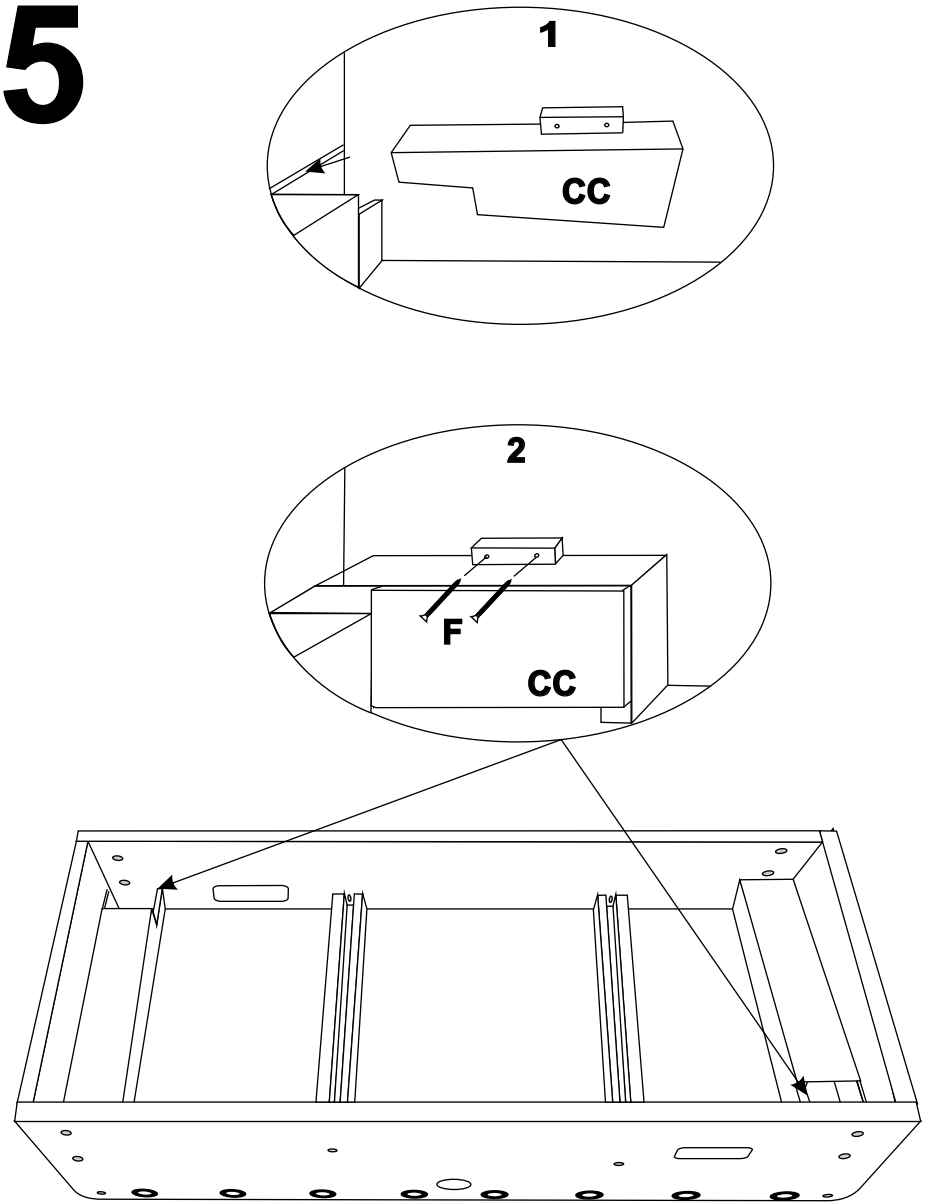


3

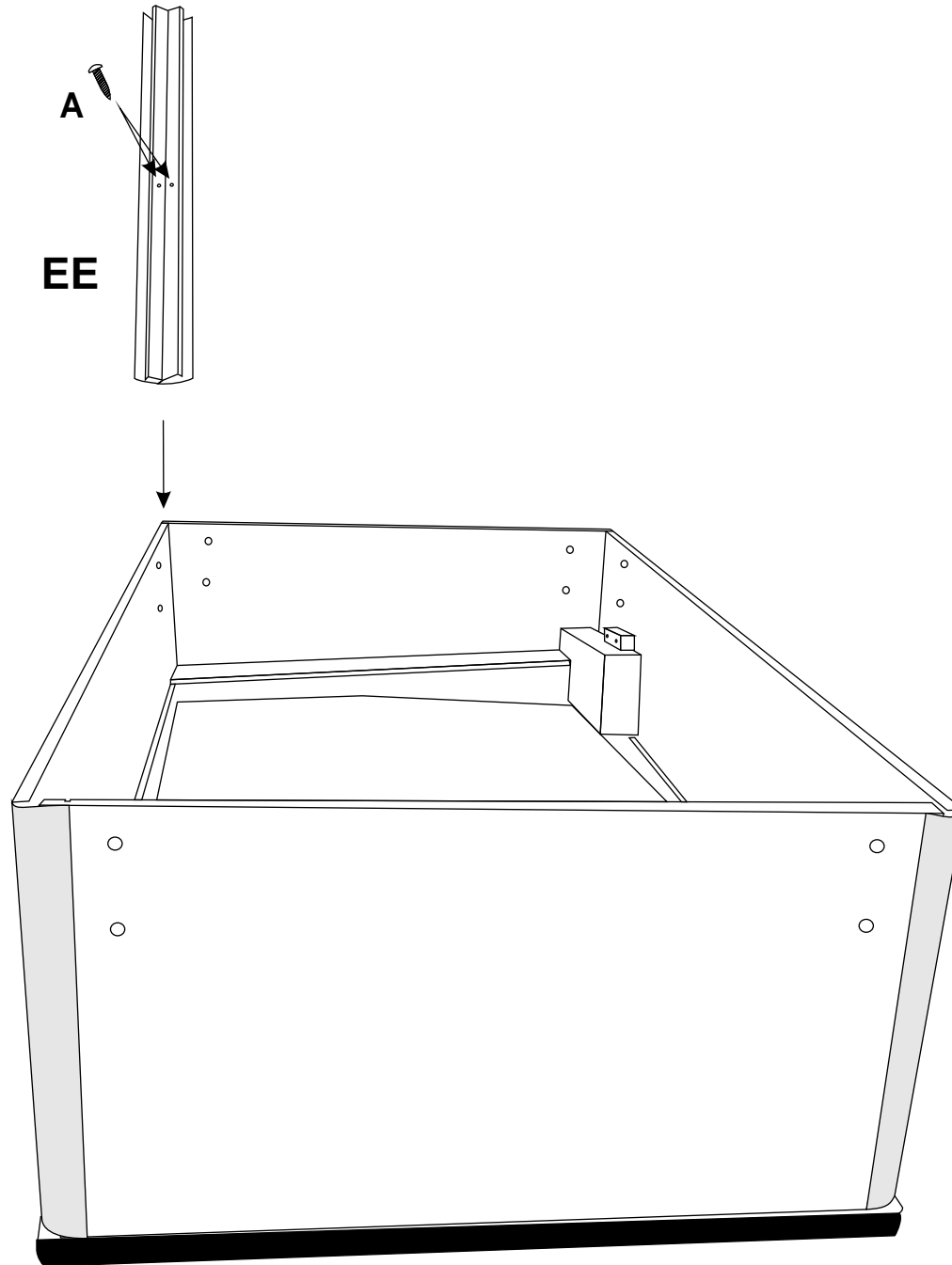
4

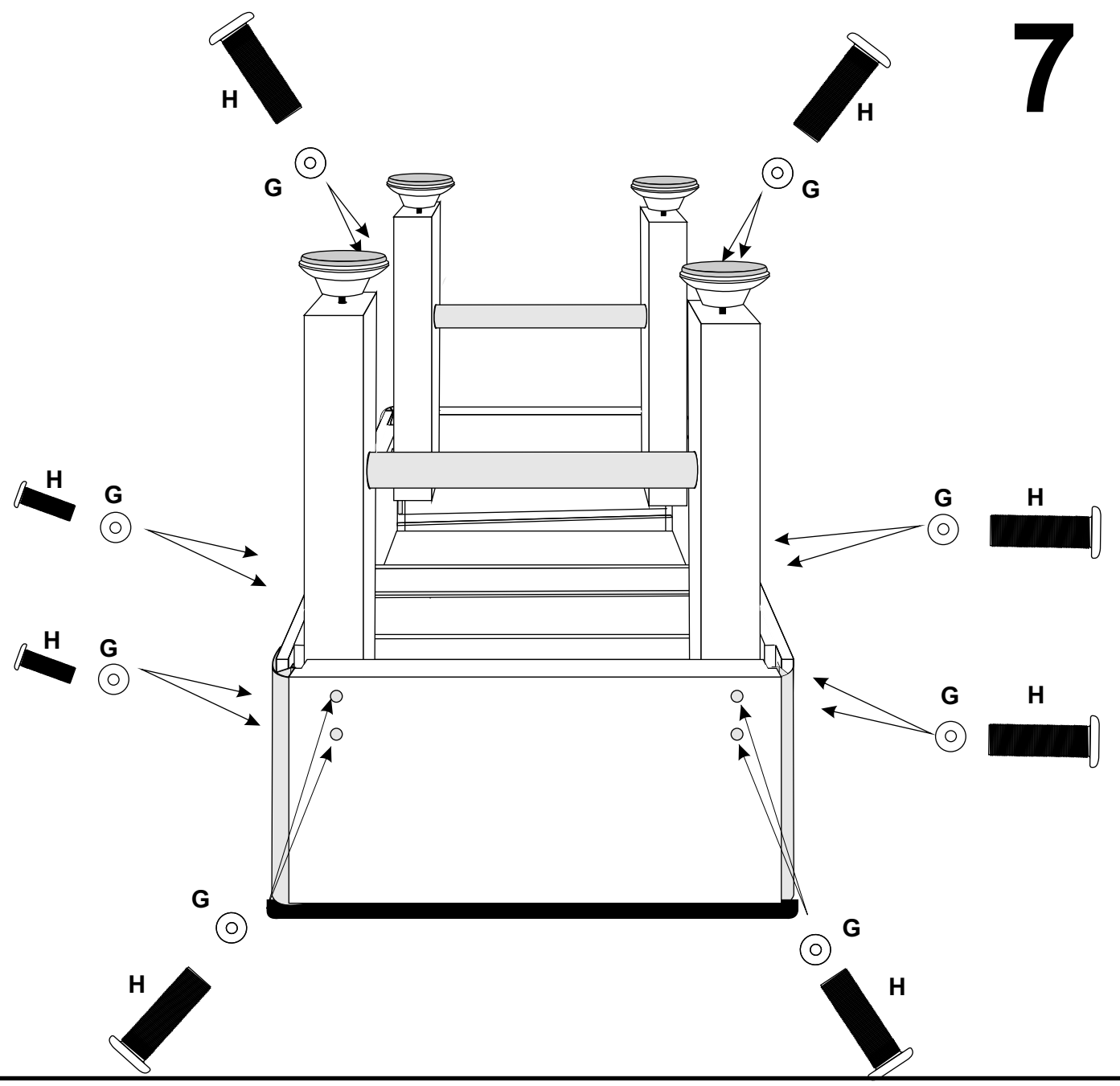
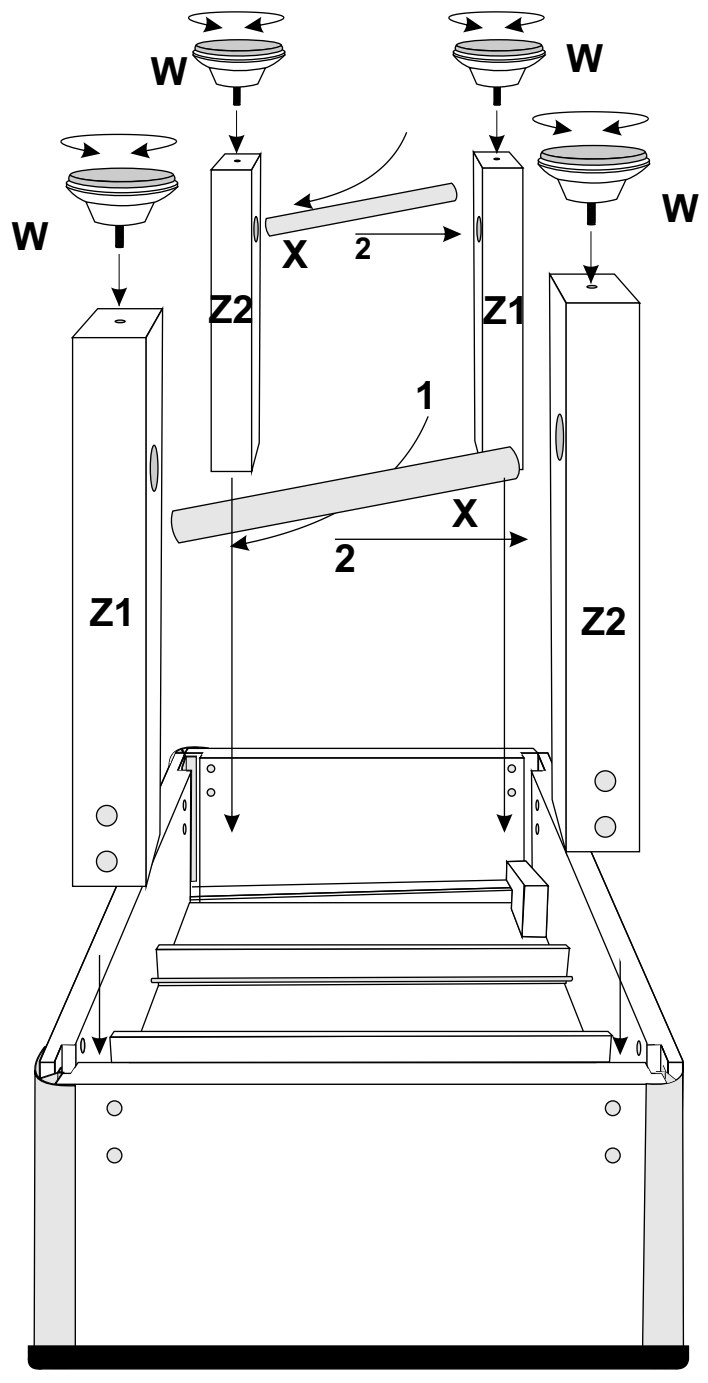


5



6





7

