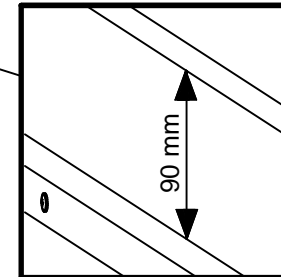
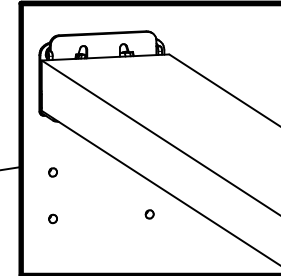
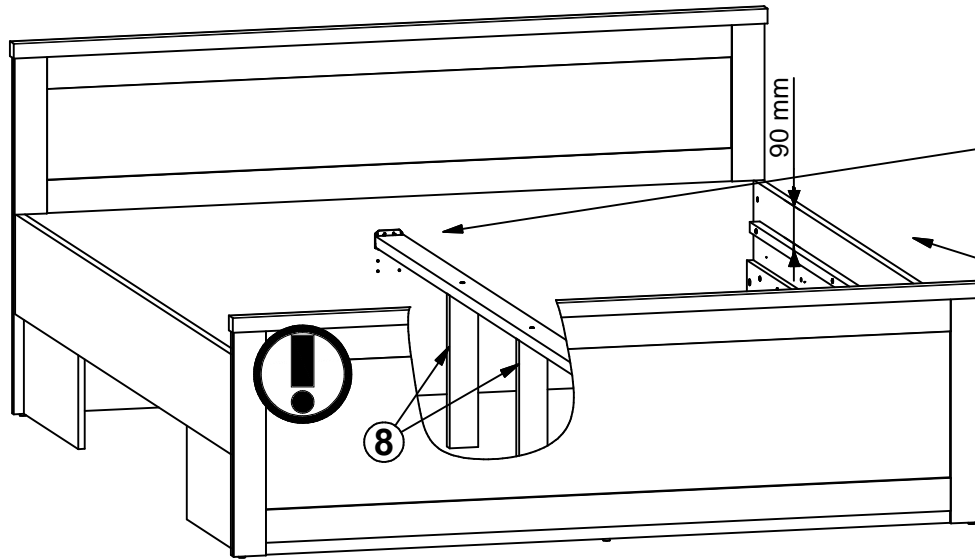
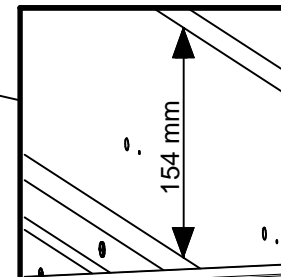
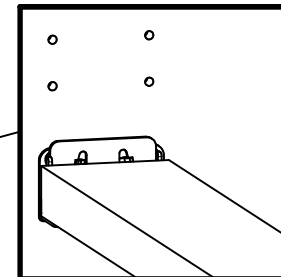
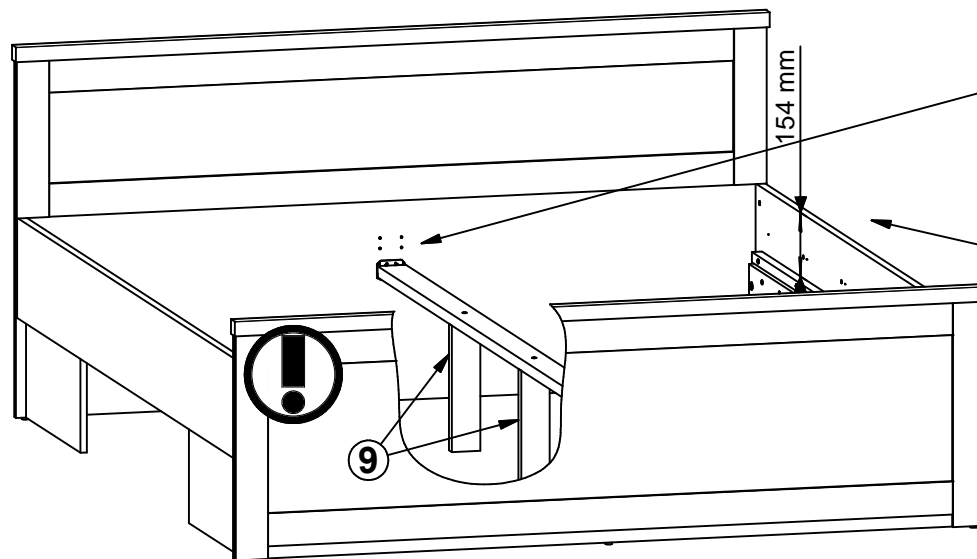


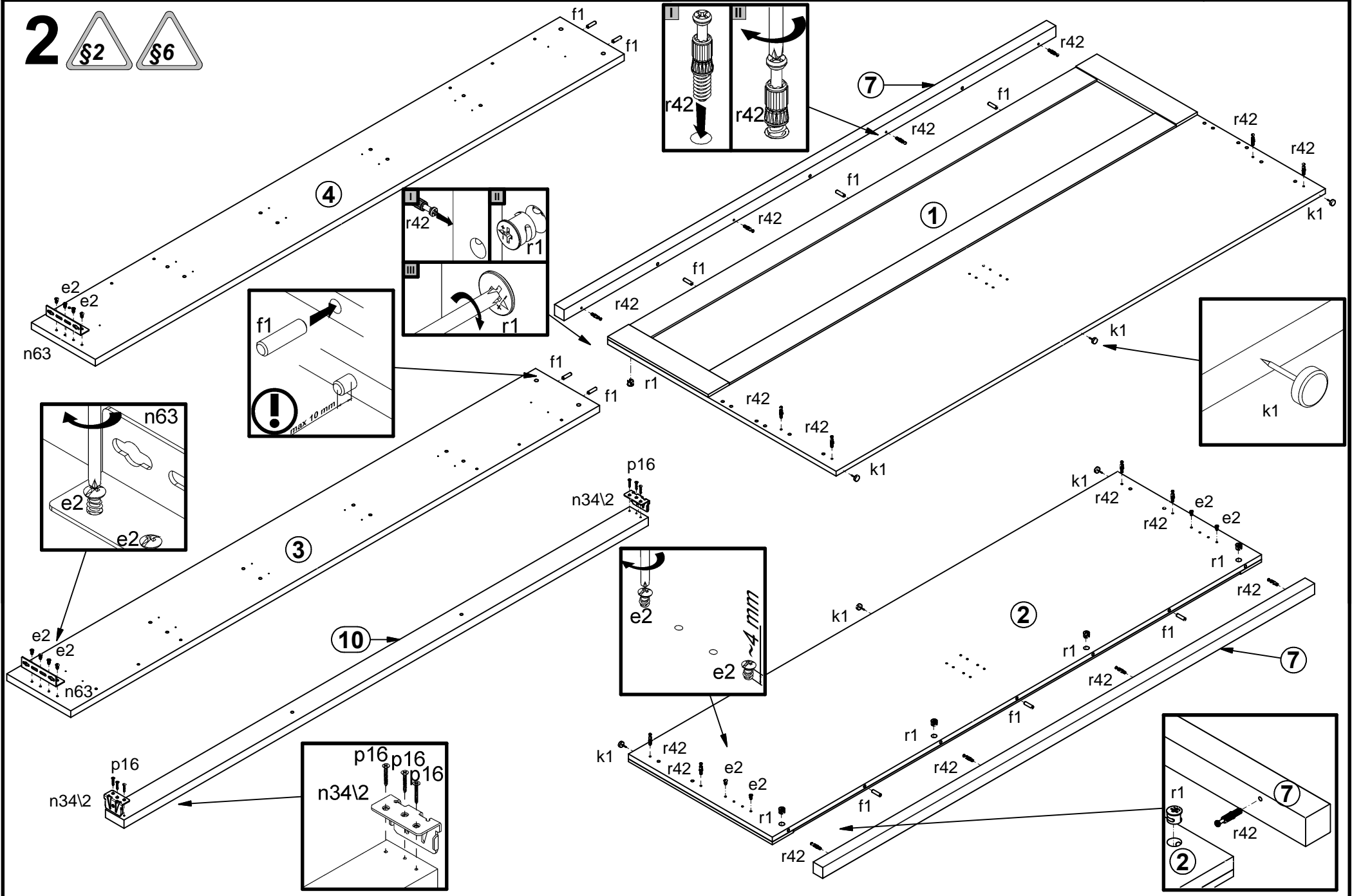
1A

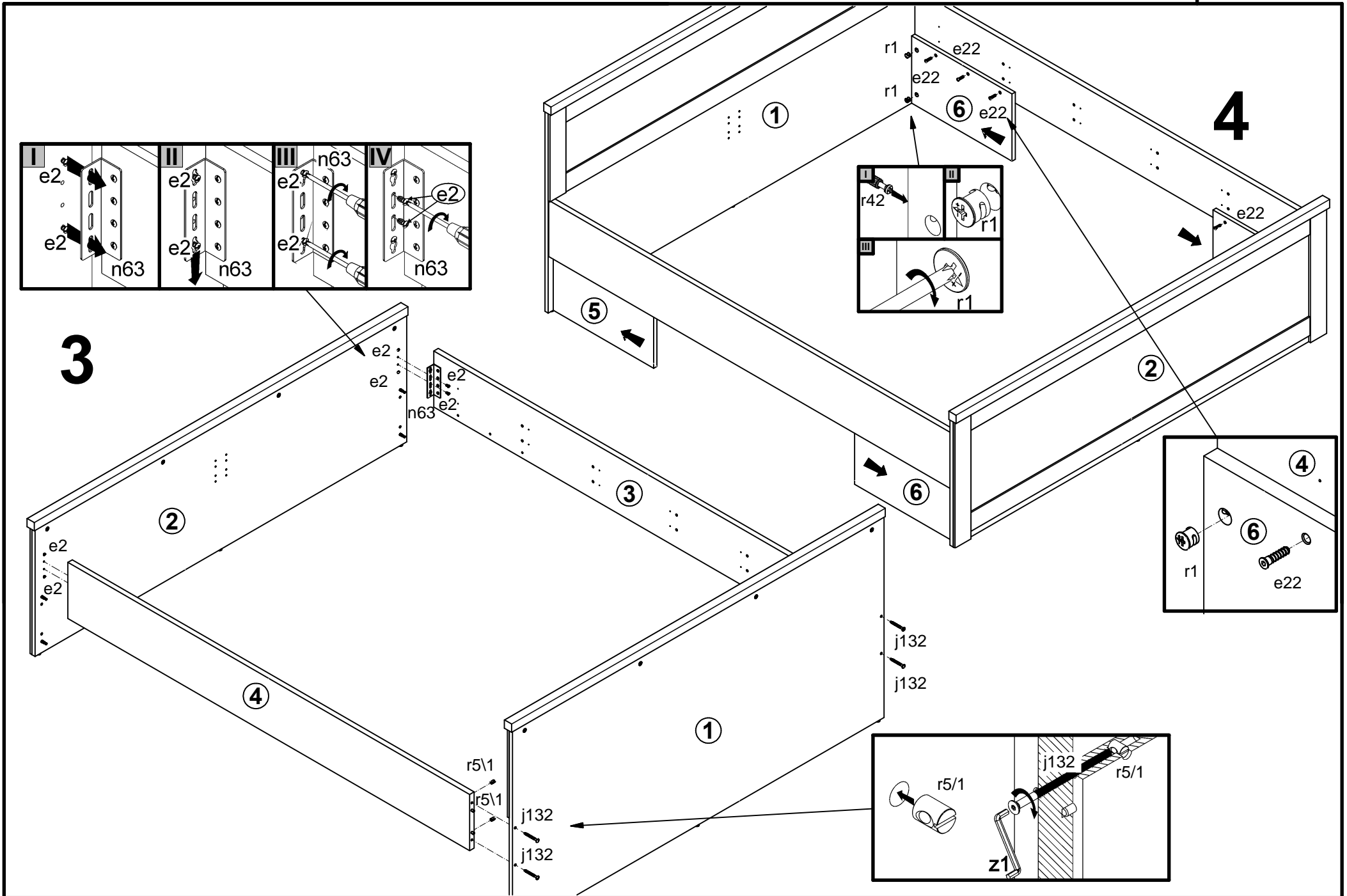


B

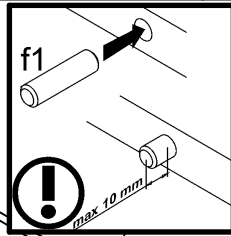
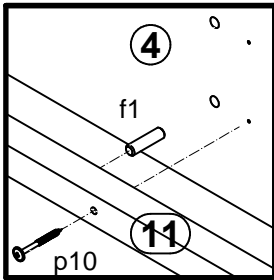
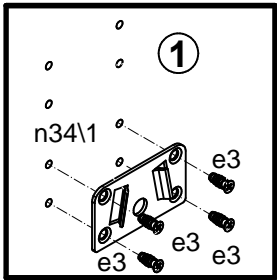
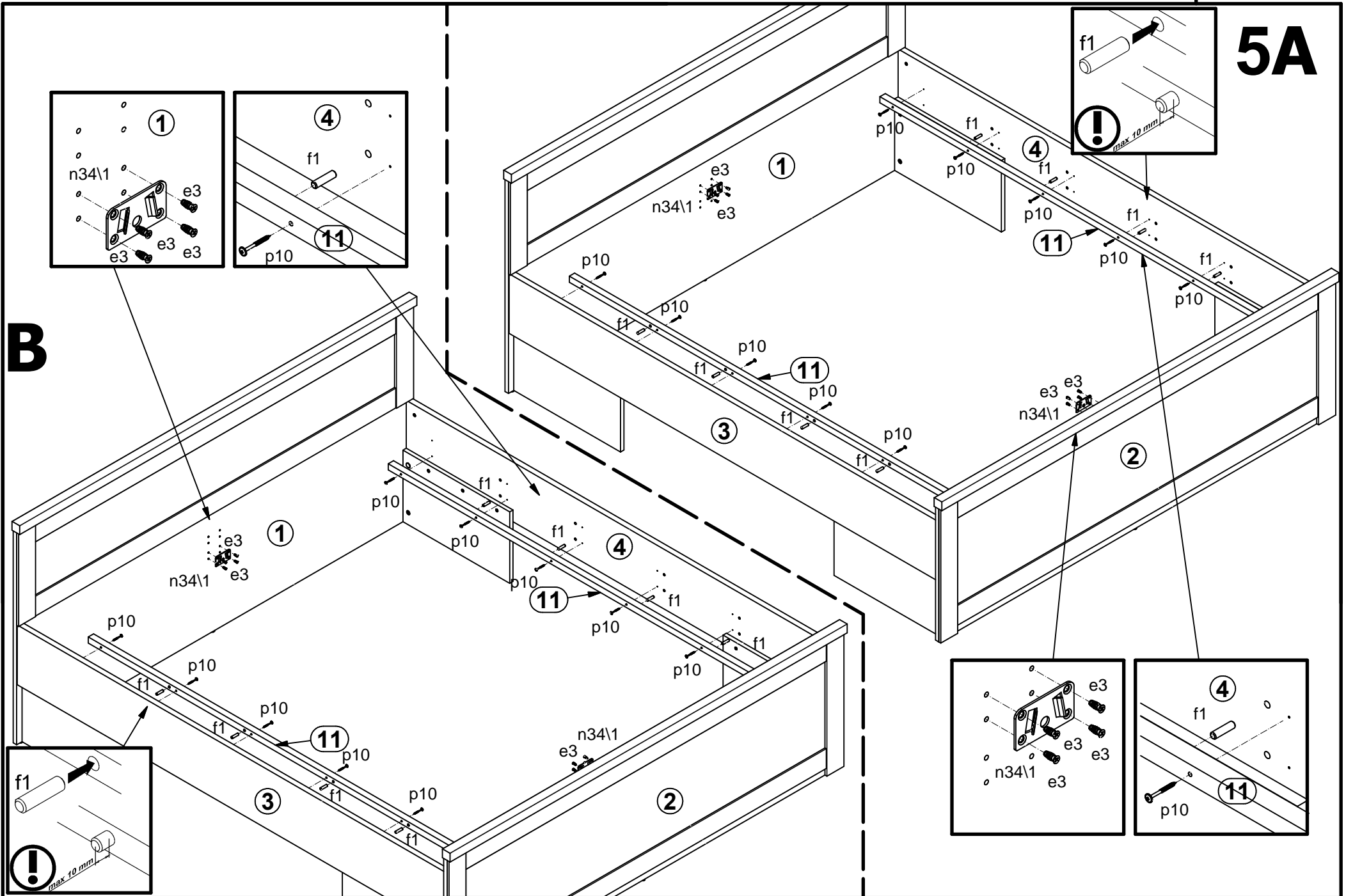


2  

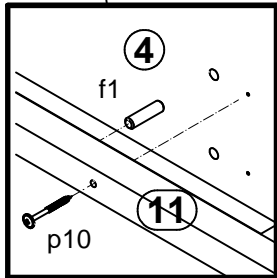
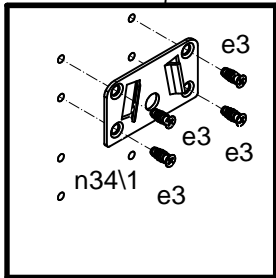




5A

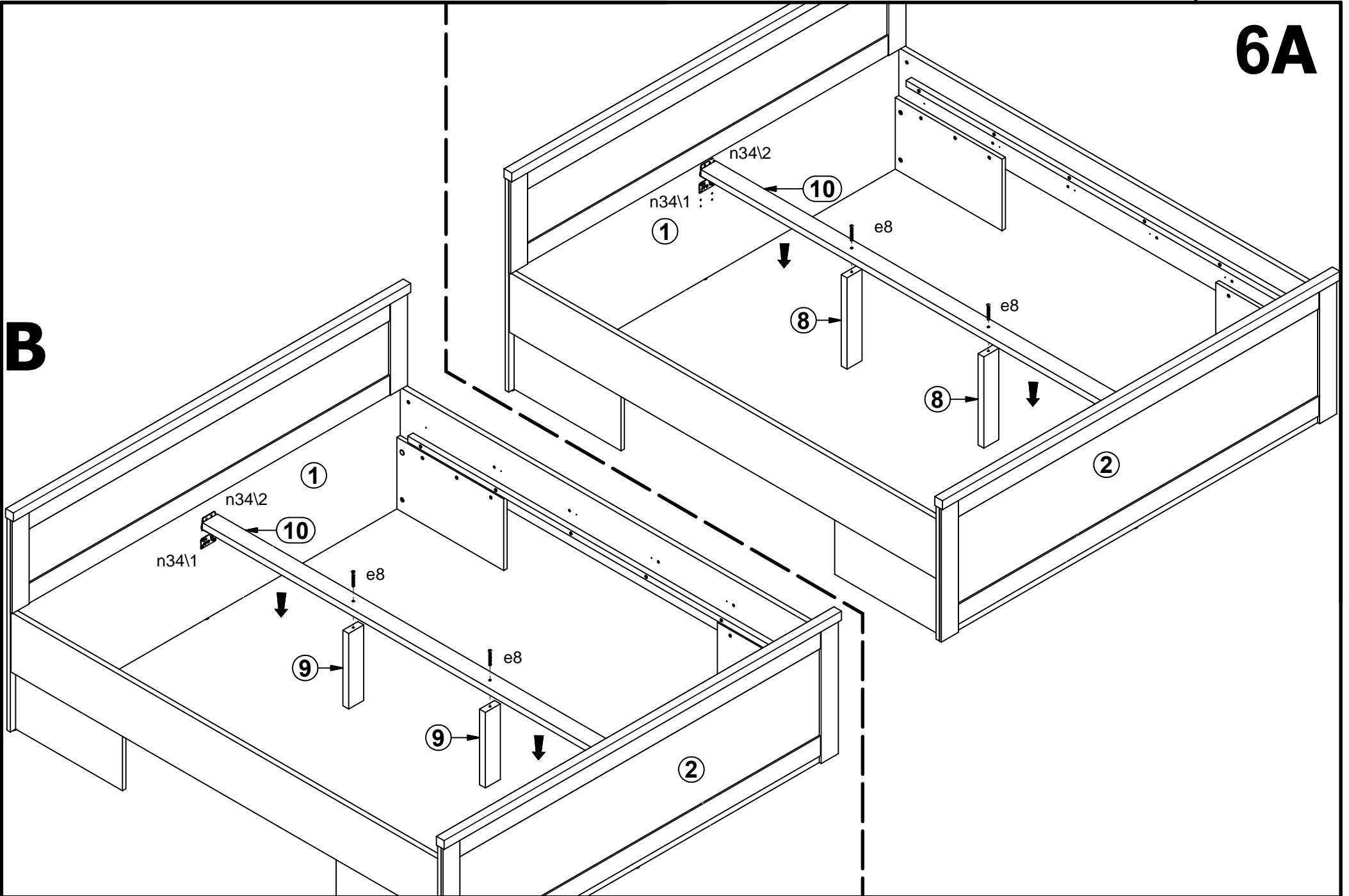


B

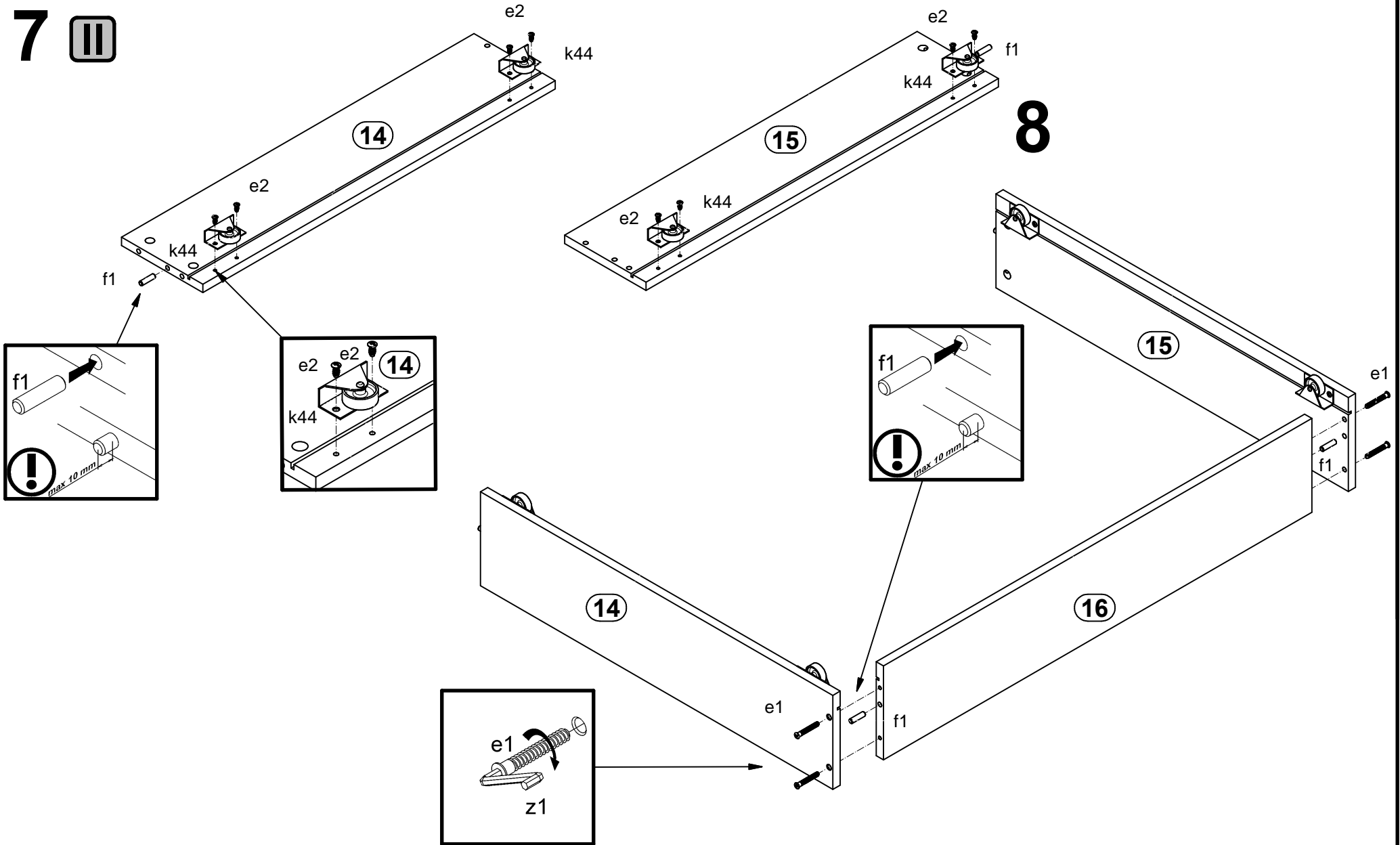


6A

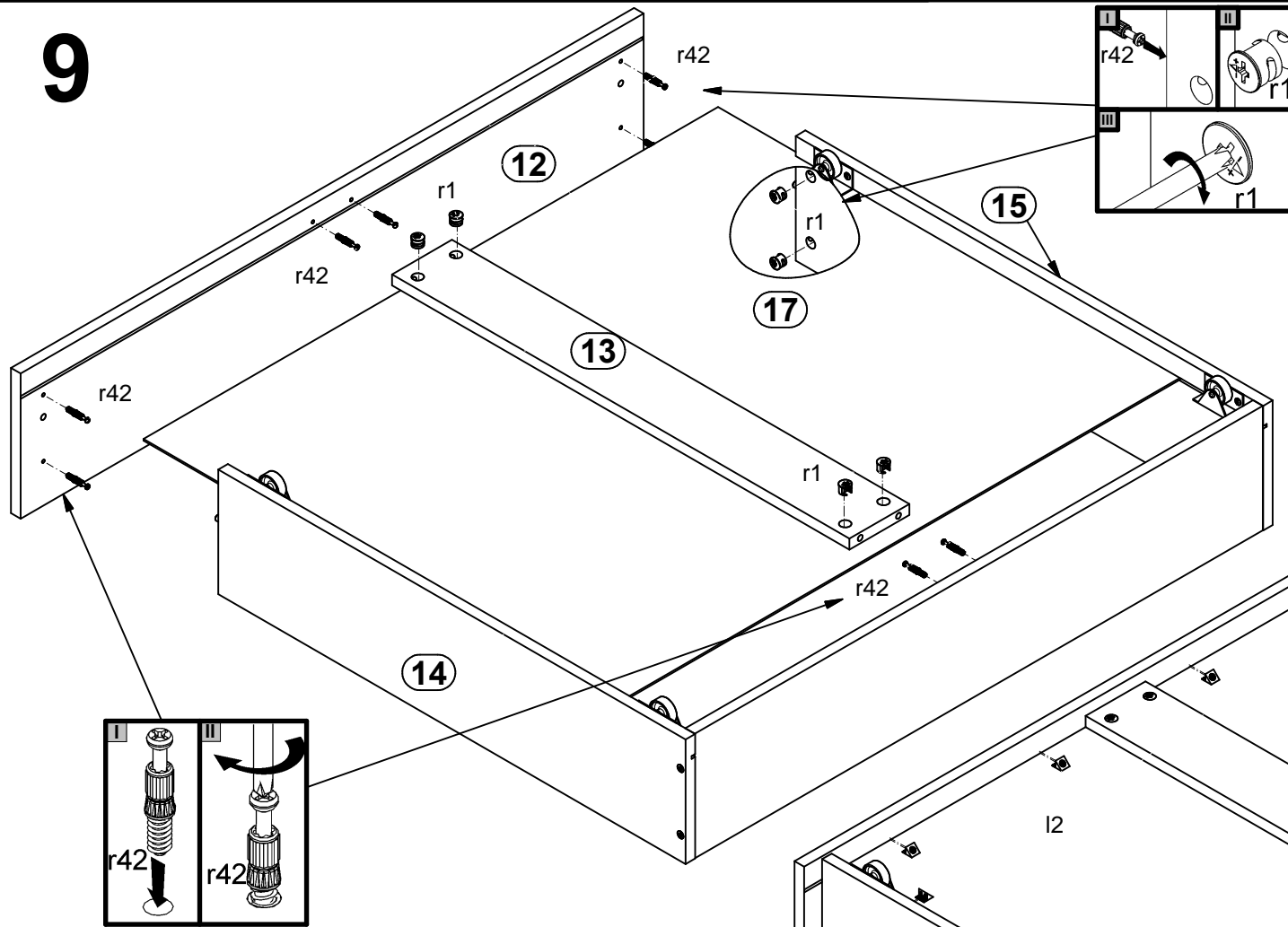
B



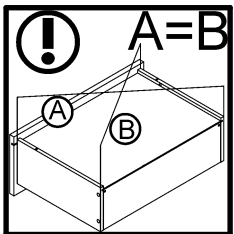
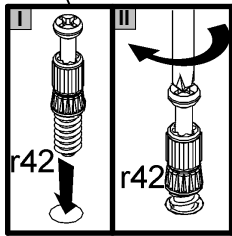
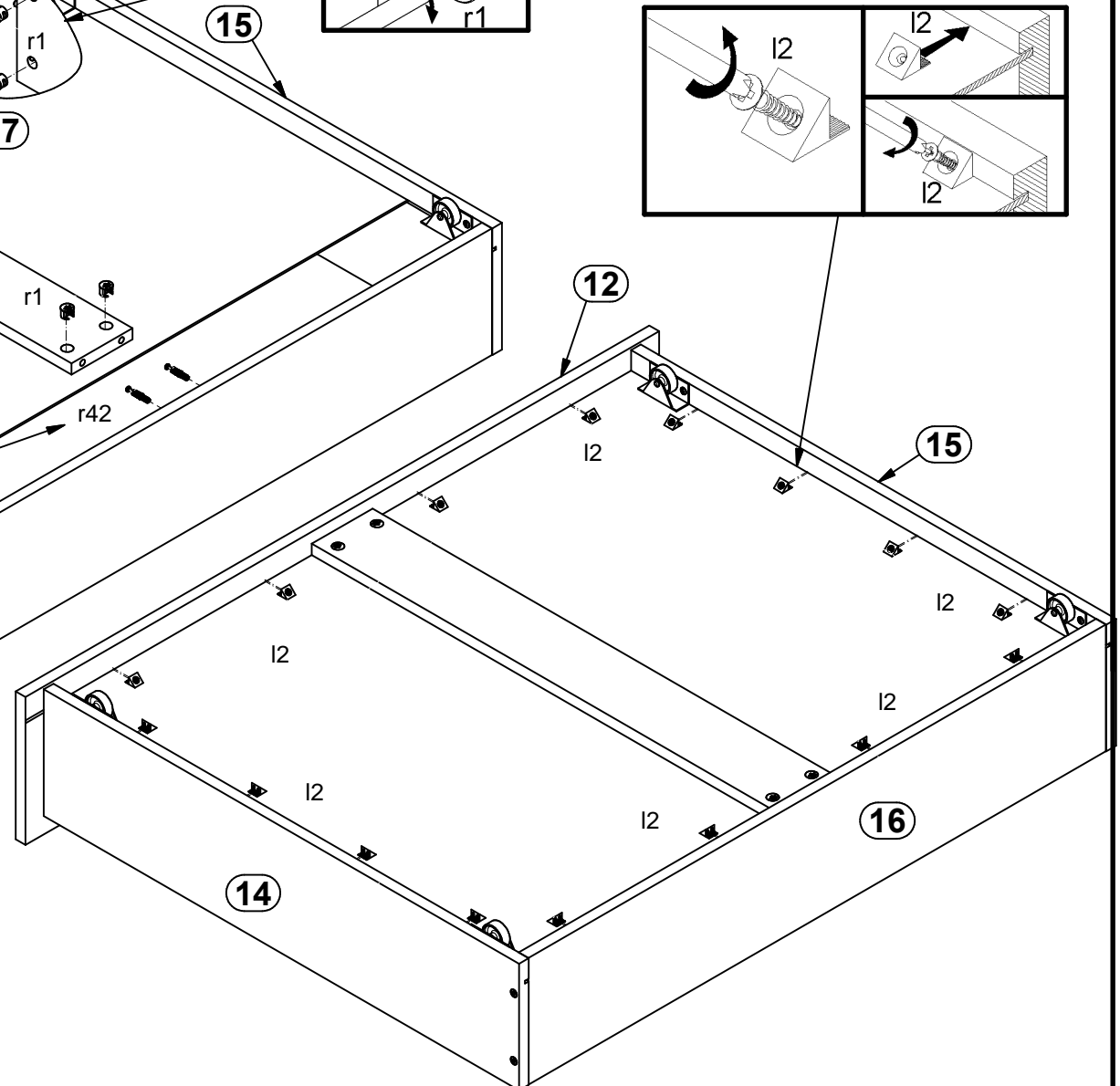
7



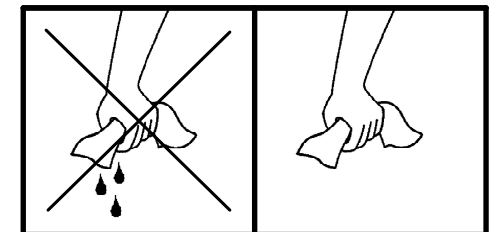
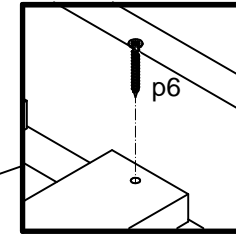
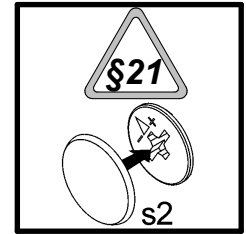
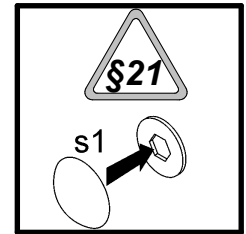
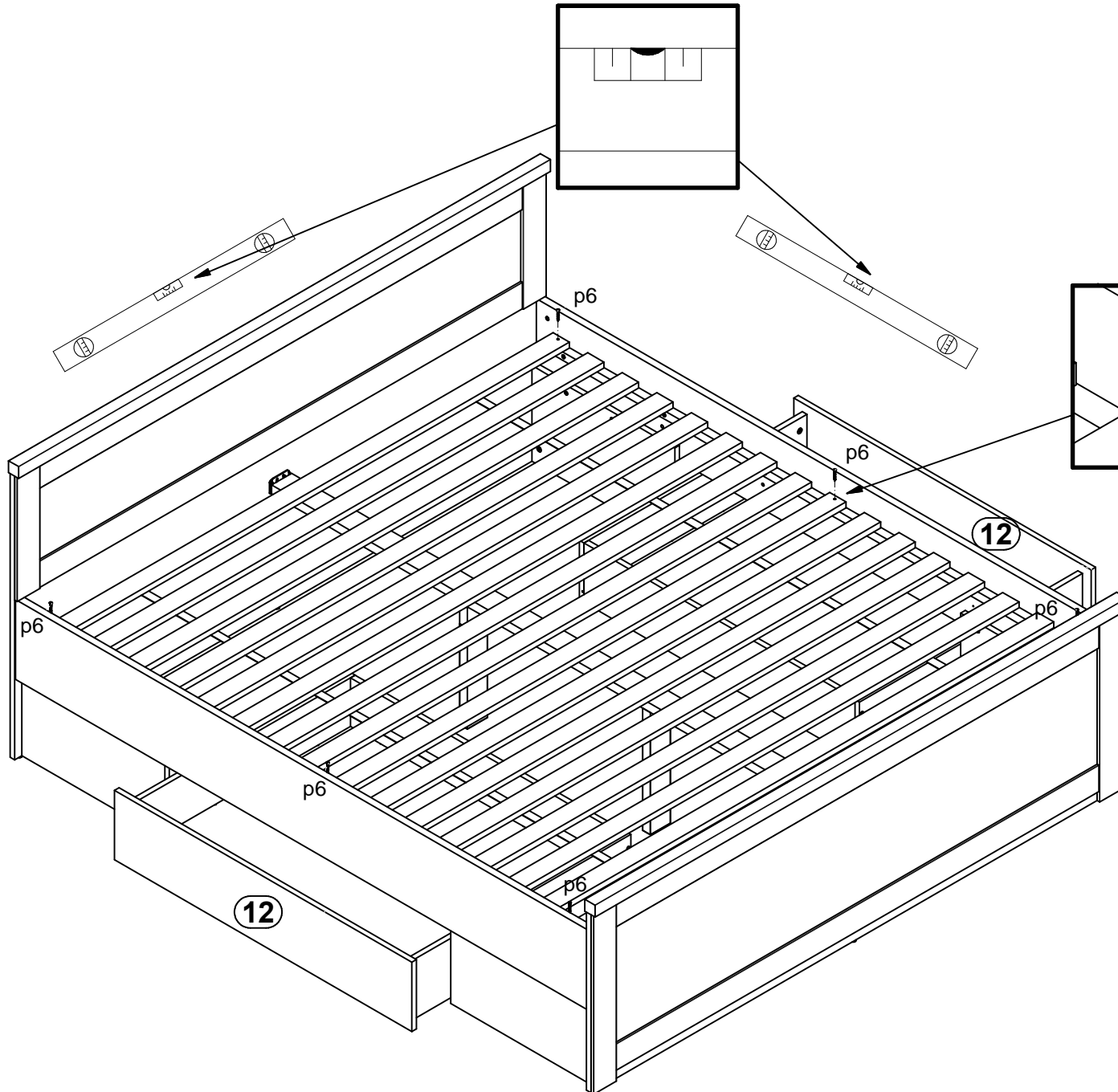
9

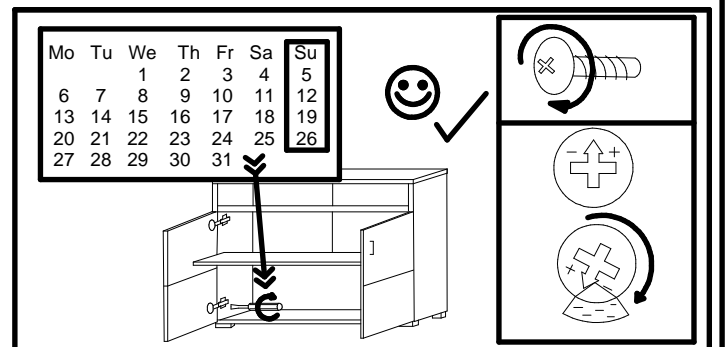
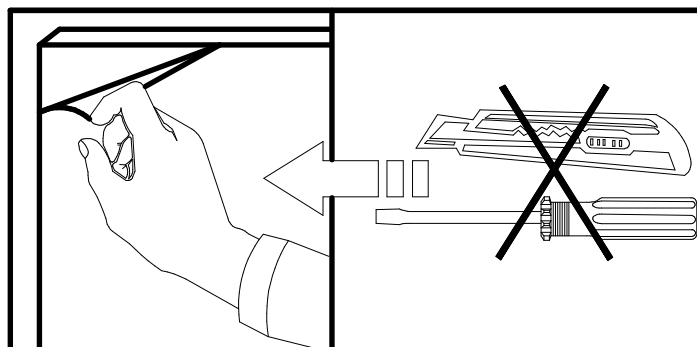
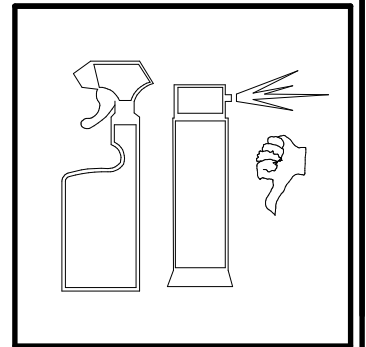
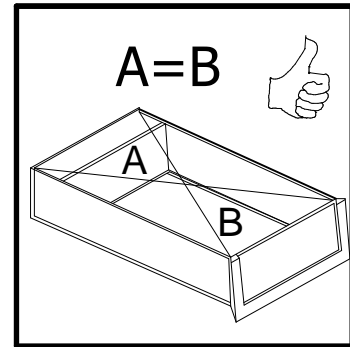
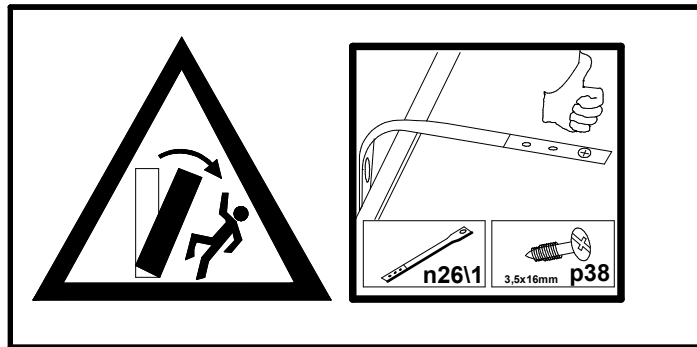
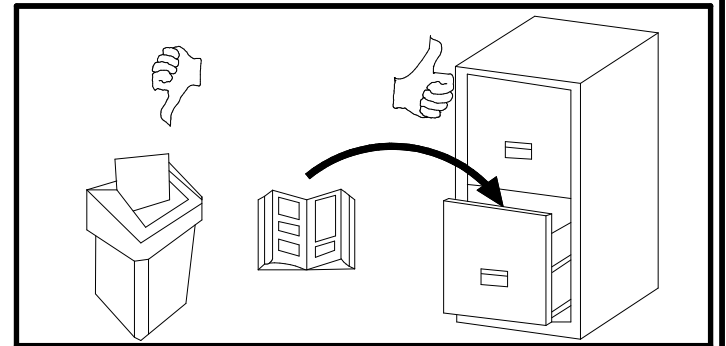
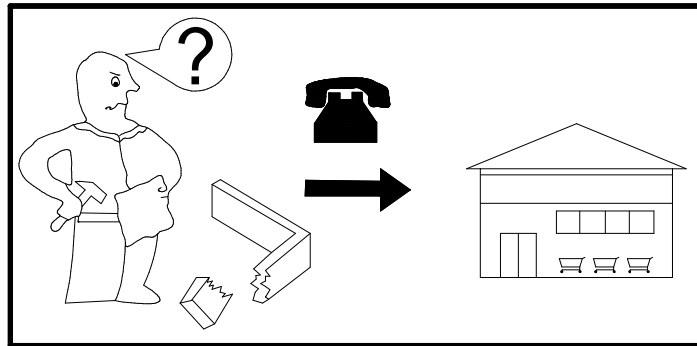
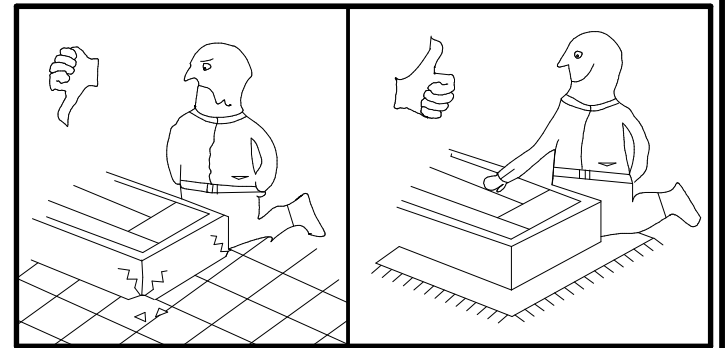
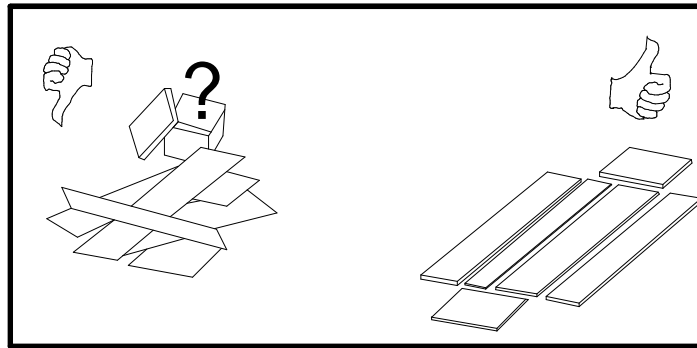


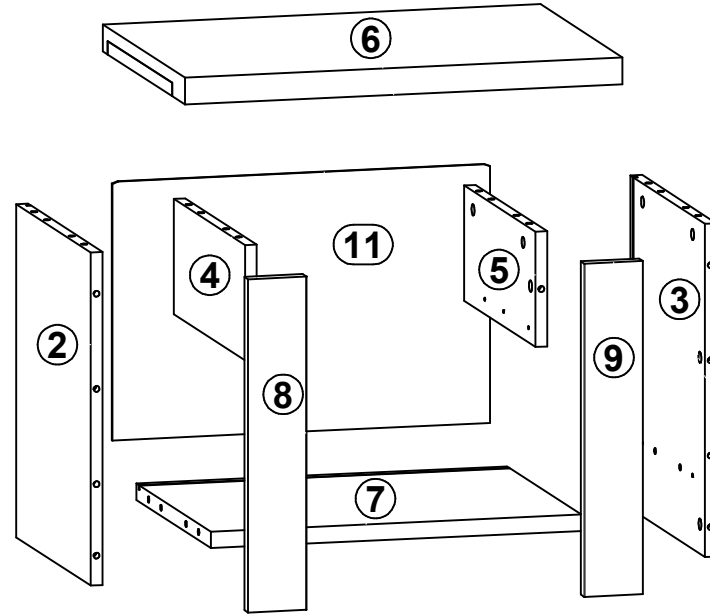
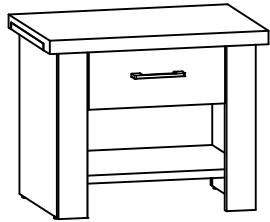
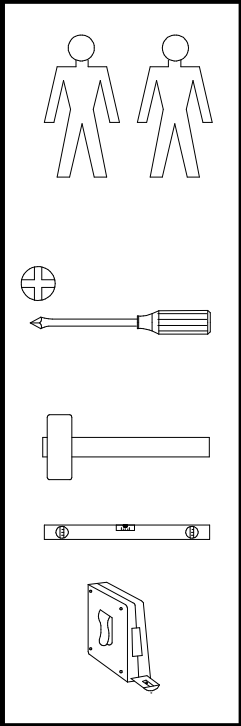
10



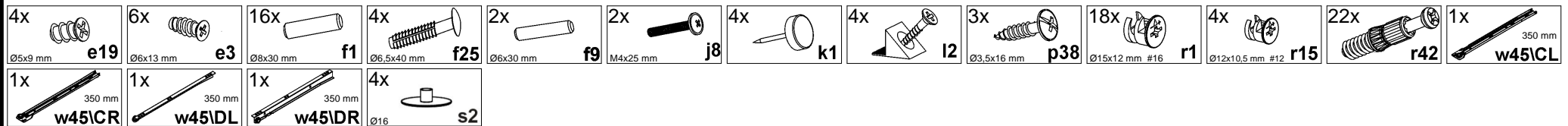
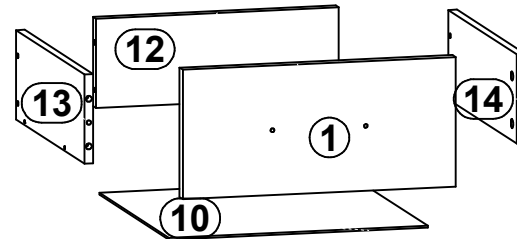
11



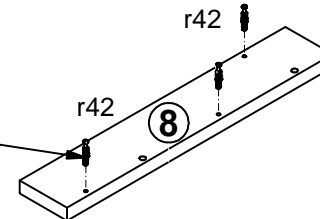
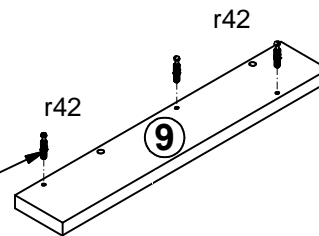
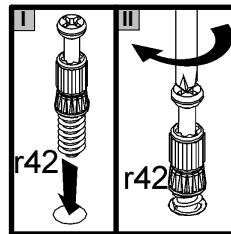
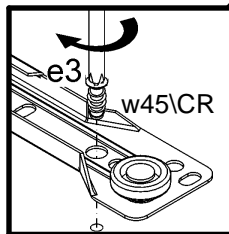
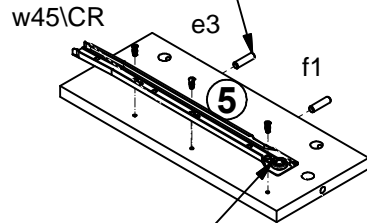
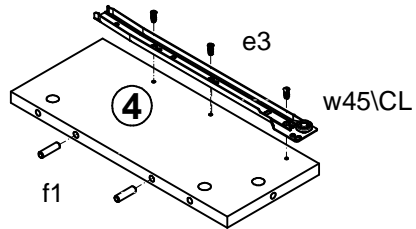
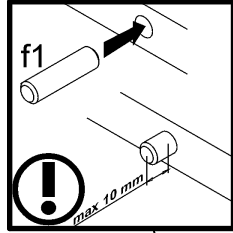
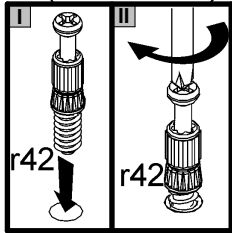
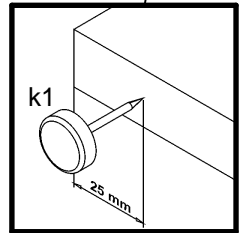
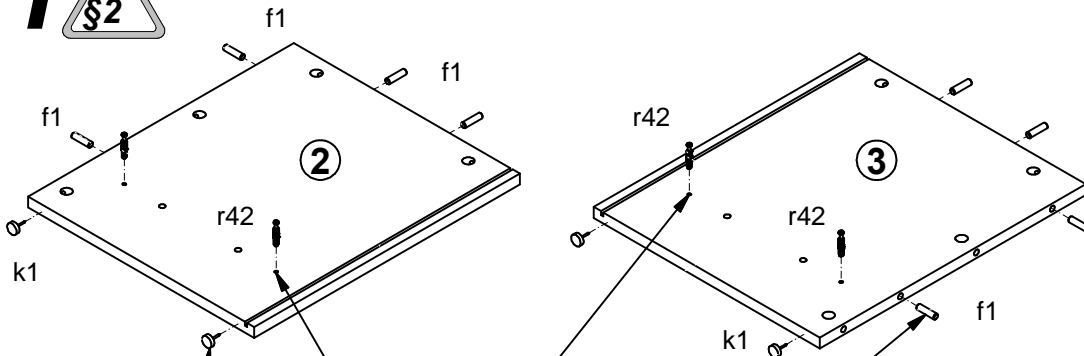




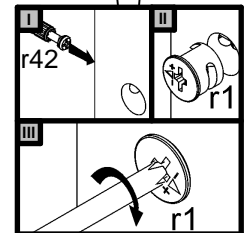
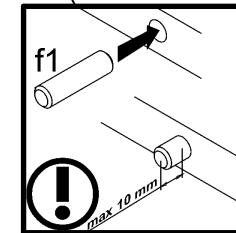
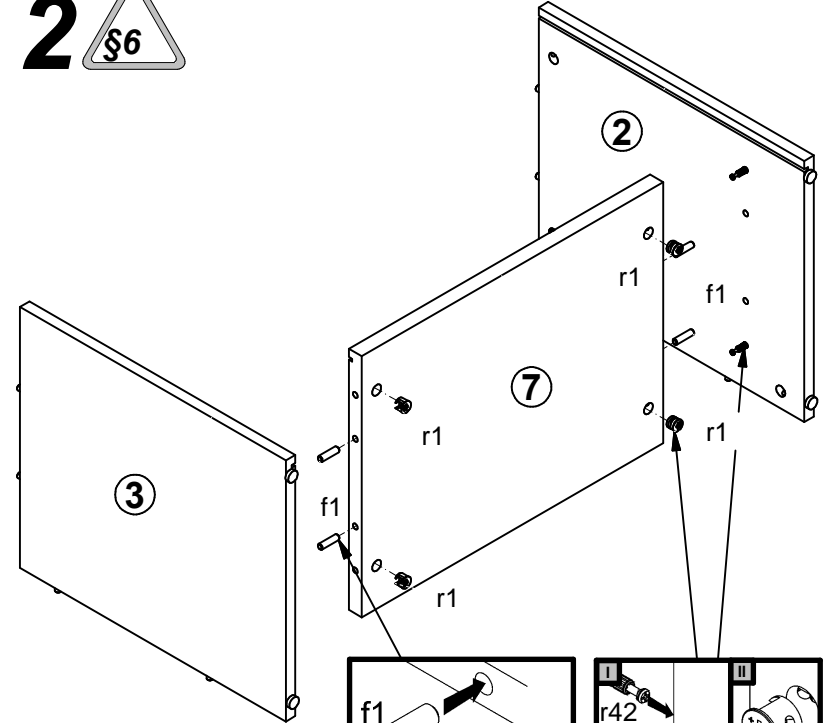
| A | B | C (mm) | | D |
|----|----------|--------|-----|-----|
| 1 | L30-011 | 374 | 174 | 1/1 |
| 2 | L30-111 | 448 | 381 | 1/1 |
| 3 | L30-112 | 448 | 381 | 1/1 |
| 4 | L30-113 | 155 | 365 | 1/1 |
| 5 | L30-114 | 155 | 365 | 1/1 |
| 6 | L30-203 | 600 | 420 | 1/1 |
| 7 | L30-308 | 508 | 381 | 1/1 |
| 8 | L30-578 | 448 | 80 | 1/1 |
| 9 | L30-579 | 448 | 80 | 1/1 |
| 10 | L30-909 | 355 | 355 | 1/1 |
| 11 | L30-910 | 348 | 518 | 1/1 |
| 12 | ZS3-5595 | 333 | 120 | 1/1 |
| 13 | ZS4-501 | 350 | 120 | 1/1 |
| 14 | ZS4-502 | 350 | 120 | 1/1 |



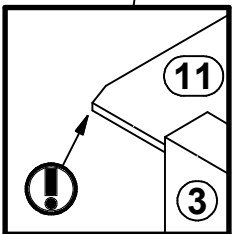
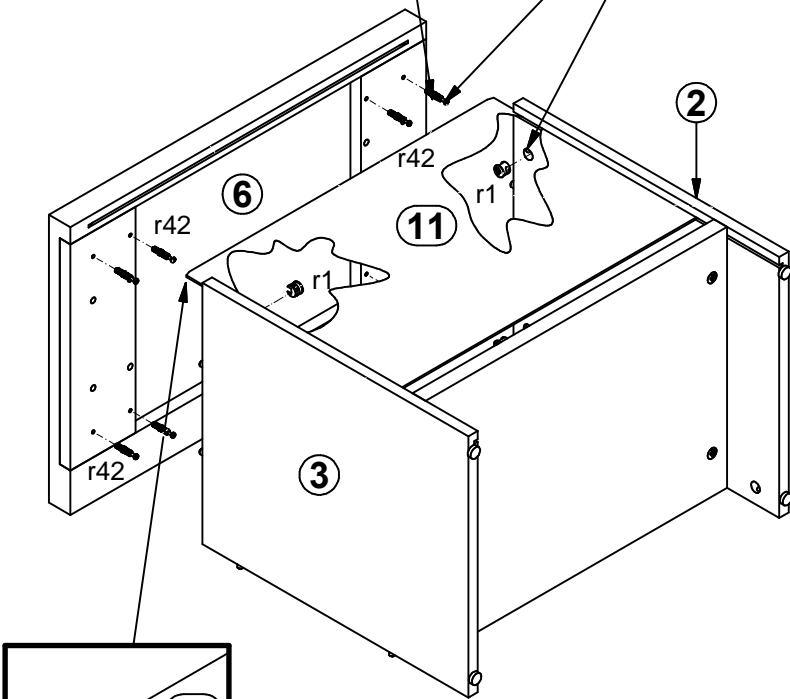
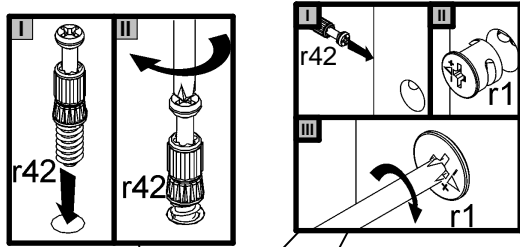
1 §2



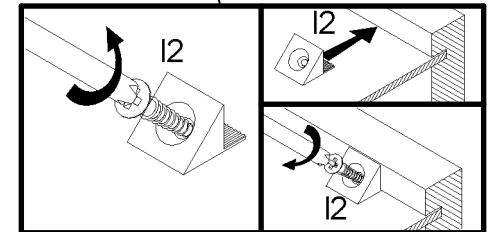
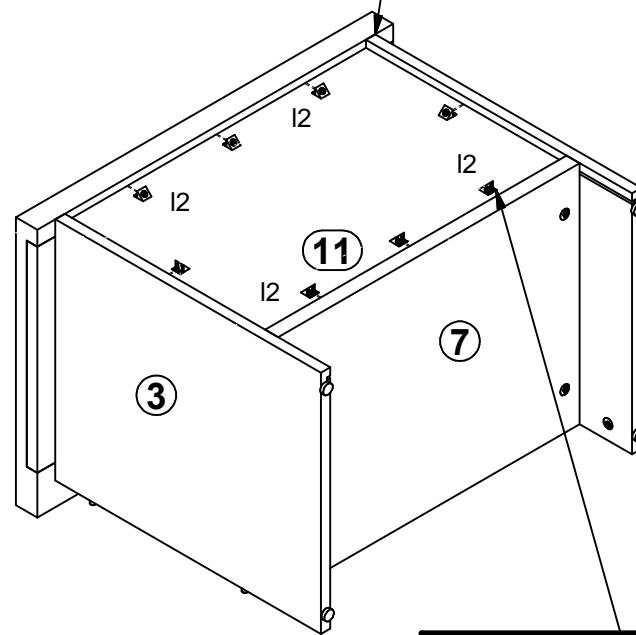
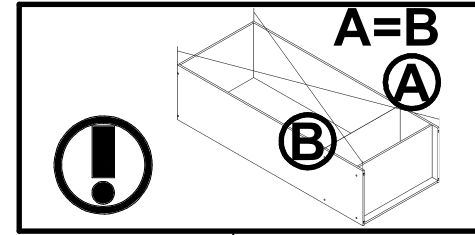
2 §6

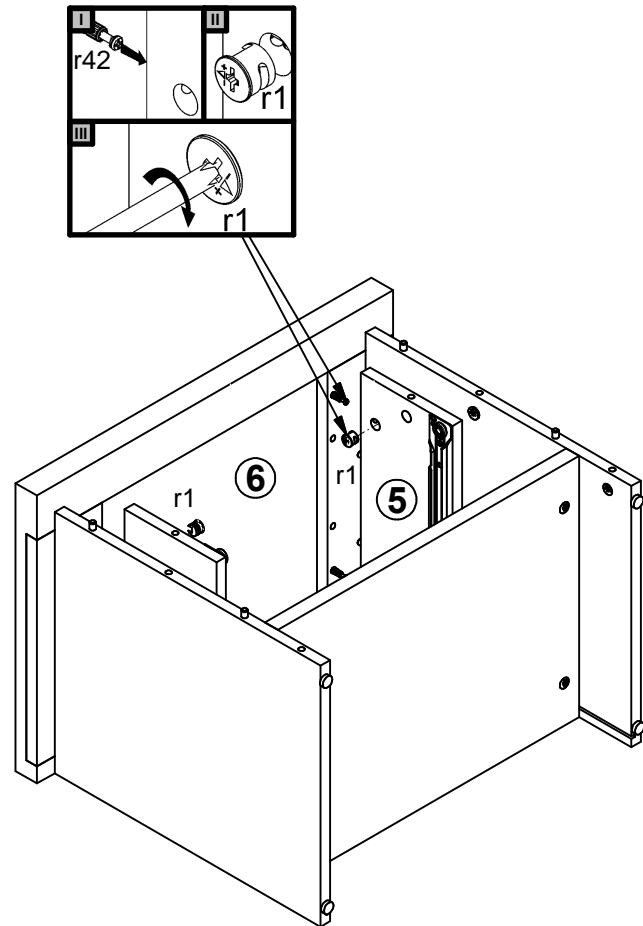
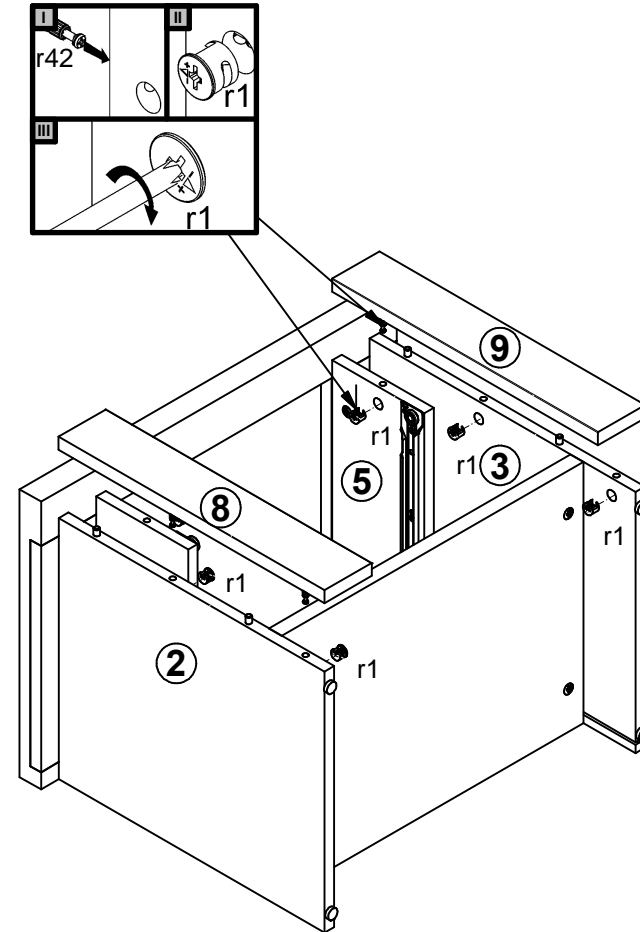


3

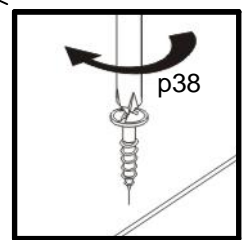
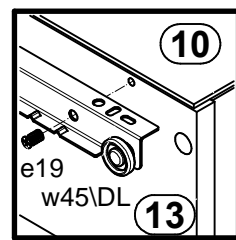
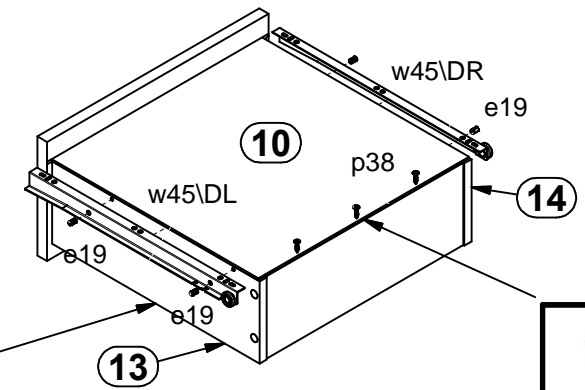
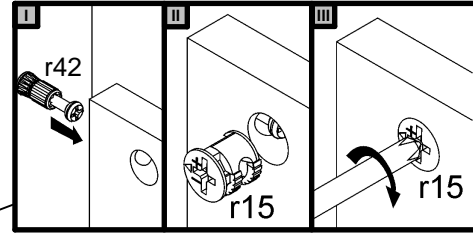
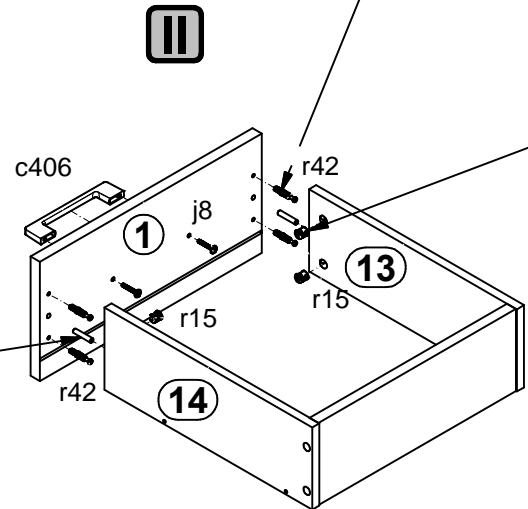
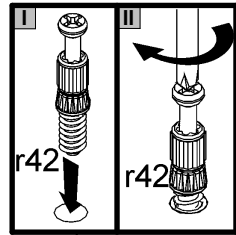
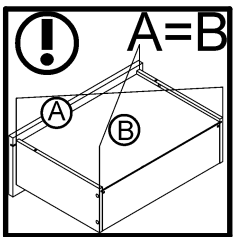
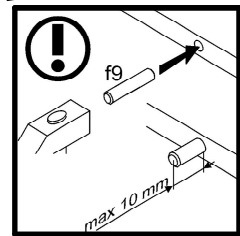
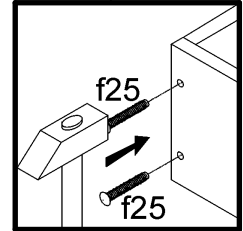
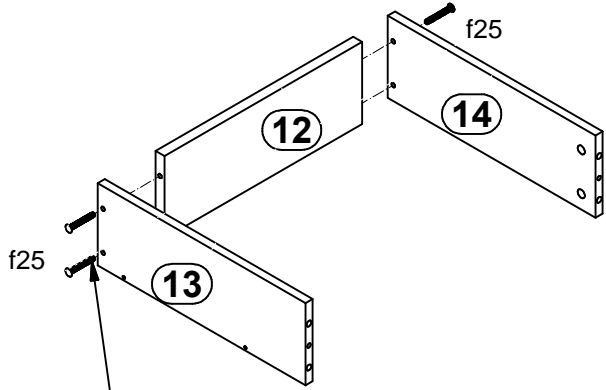


4

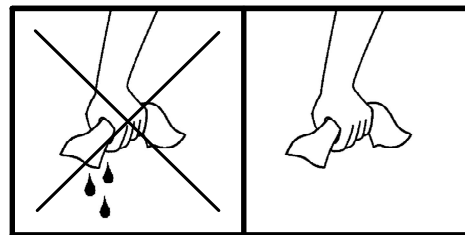
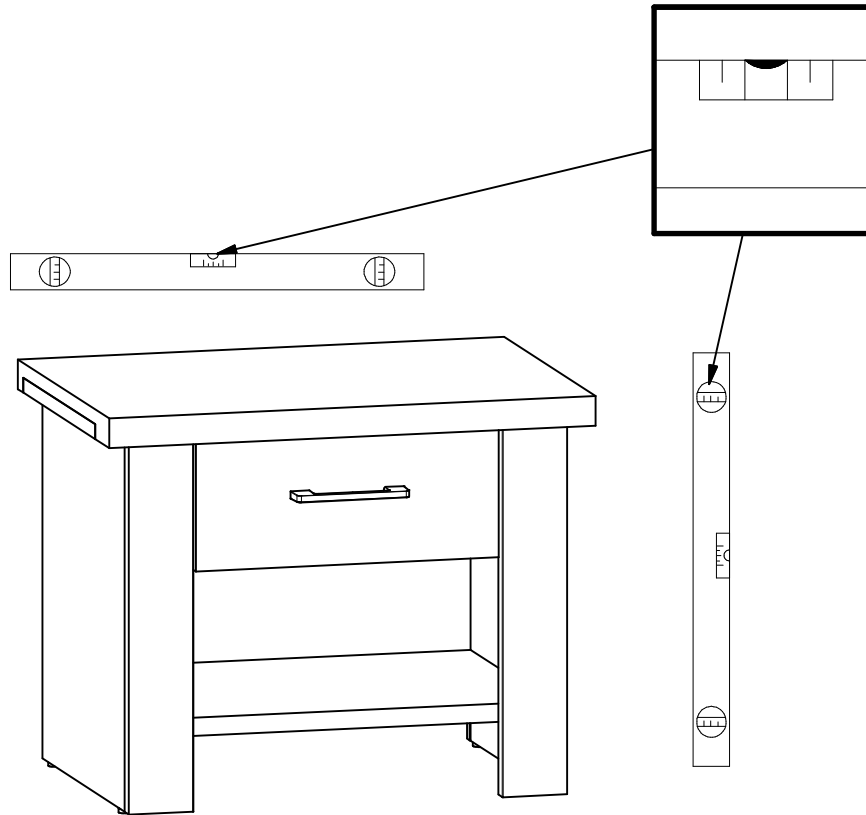


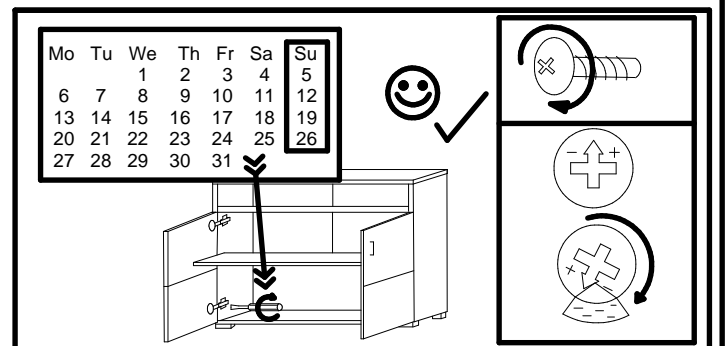
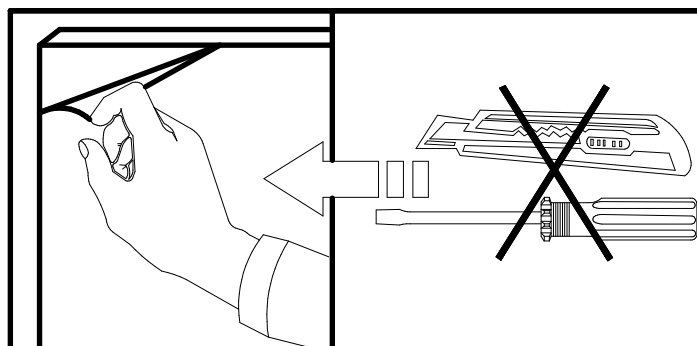
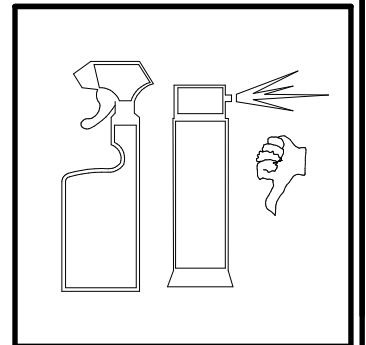
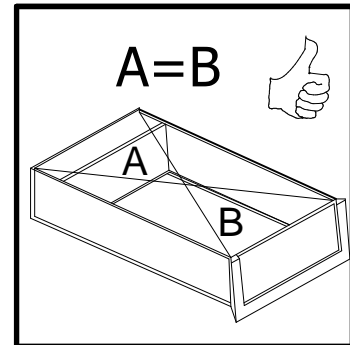
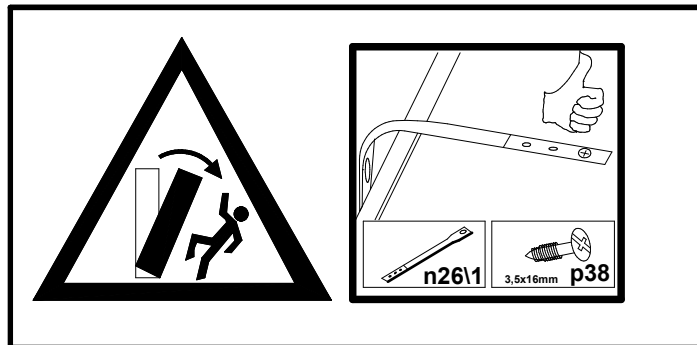
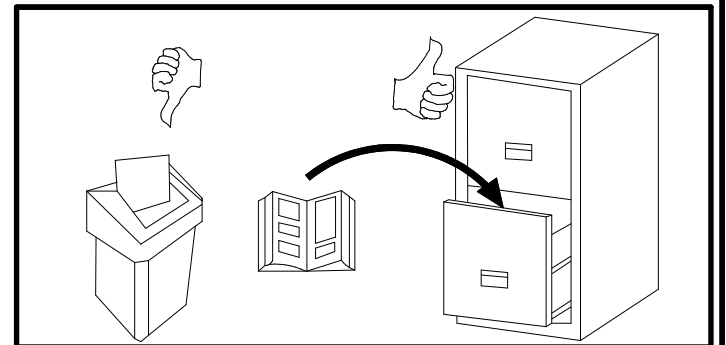
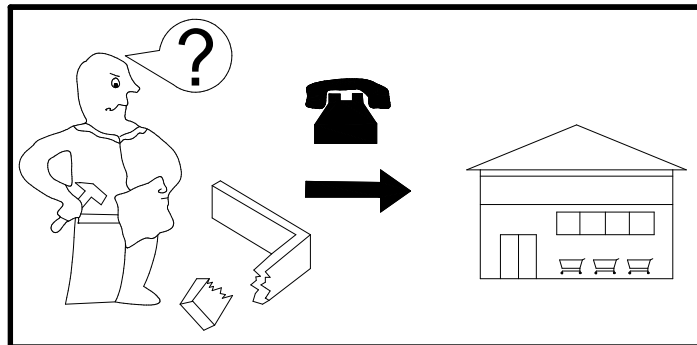
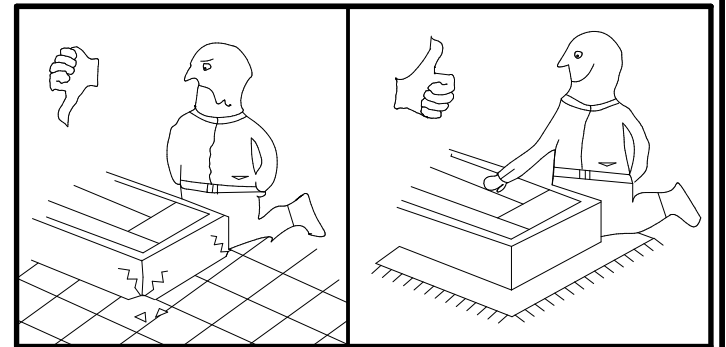
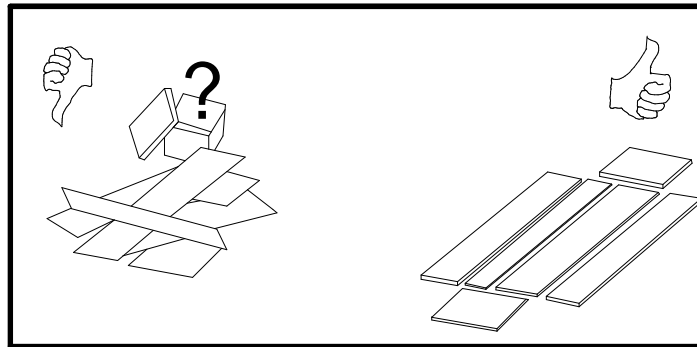
5**6**

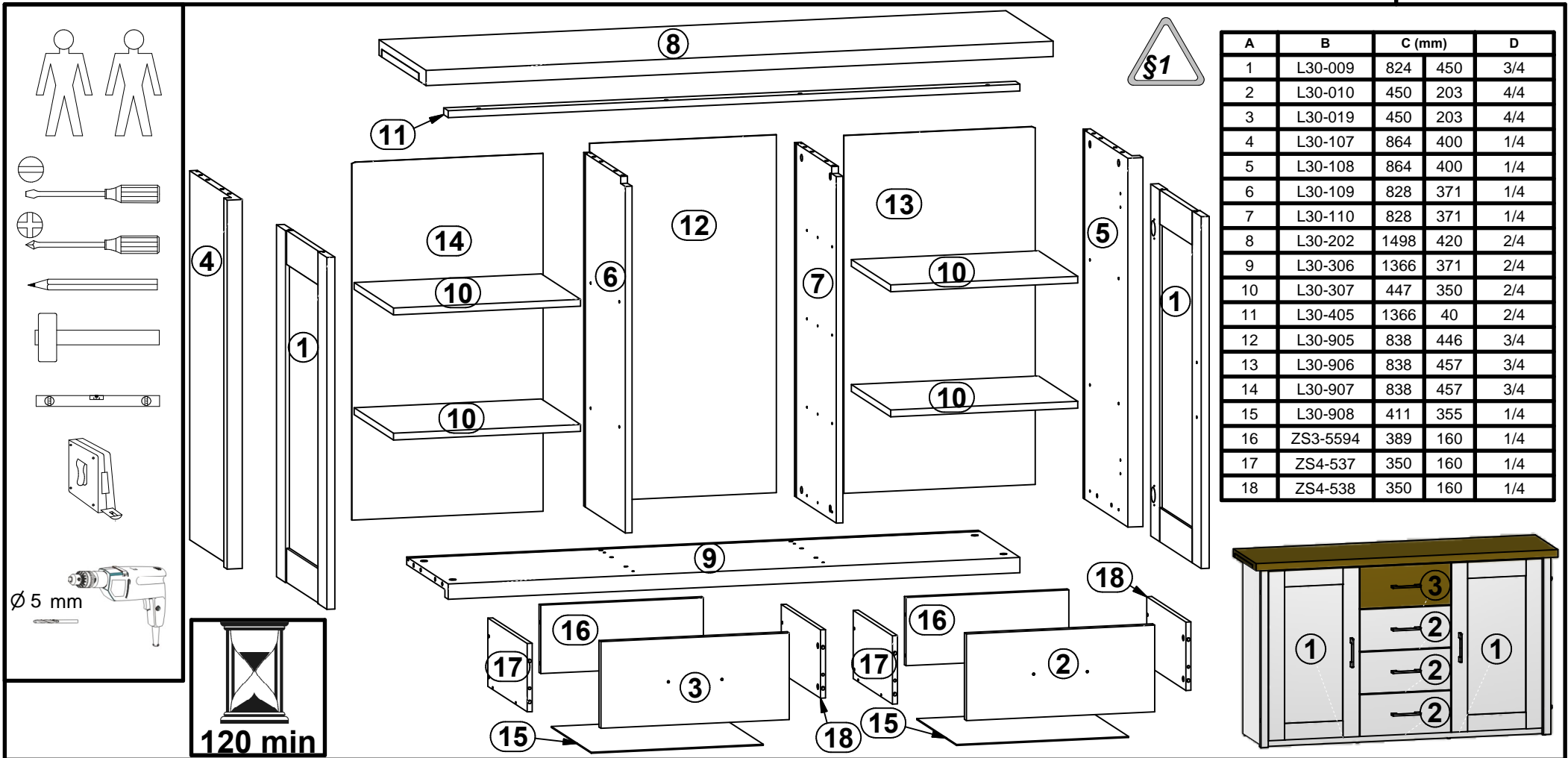
7



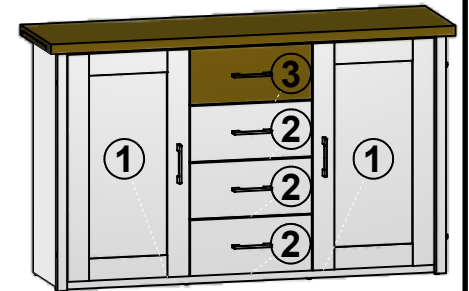
8



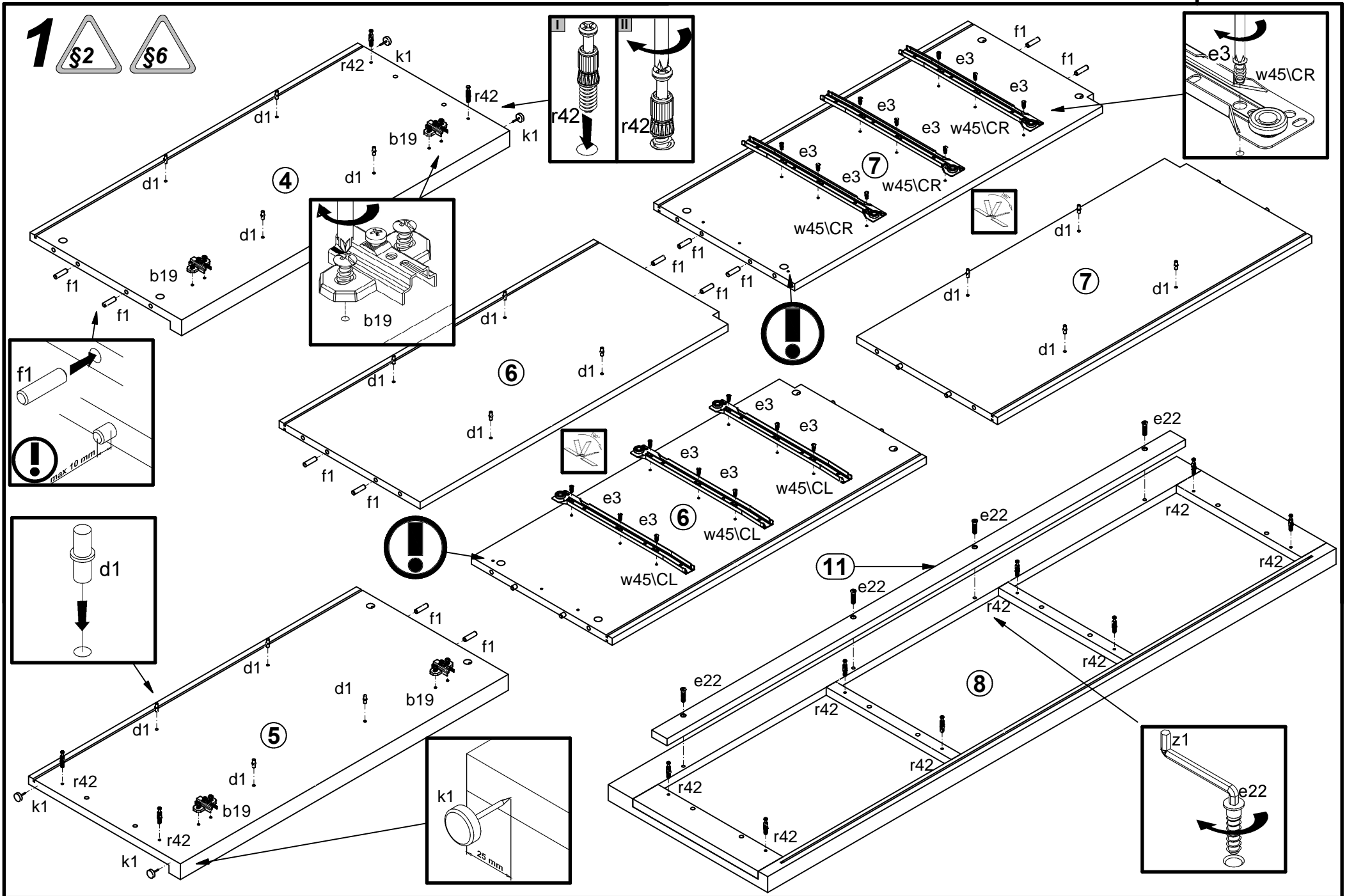




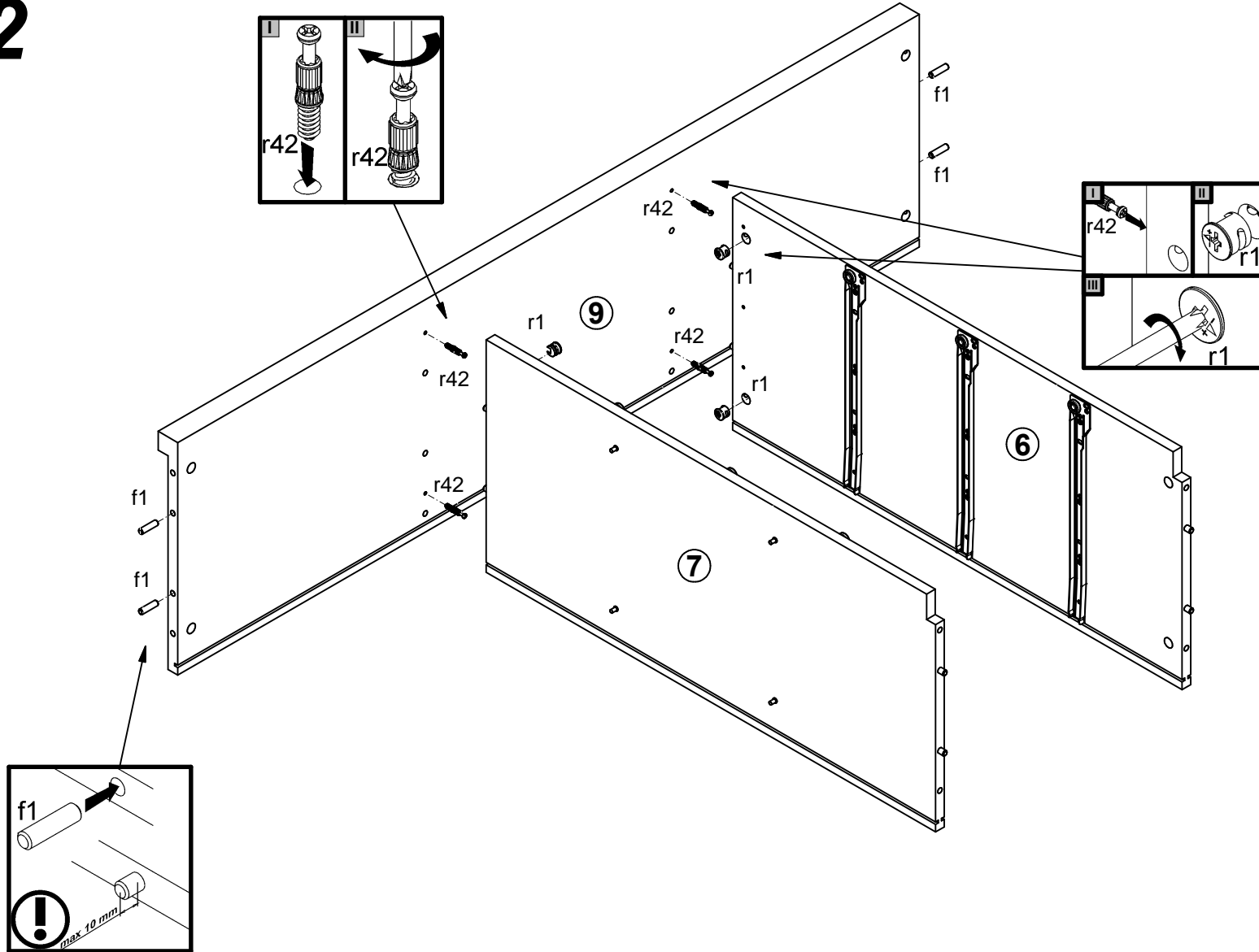
| A | B | C (mm) | | D |
|----|----------|--------|-----|-----|
| 1 | L30-009 | 824 | 450 | 3/4 |
| 2 | L30-010 | 450 | 203 | 4/4 |
| 3 | L30-019 | 450 | 203 | 4/4 |
| 4 | L30-107 | 864 | 400 | 1/4 |
| 5 | L30-108 | 864 | 400 | 1/4 |
| 6 | L30-109 | 828 | 371 | 1/4 |
| 7 | L30-110 | 828 | 371 | 1/4 |
| 8 | L30-202 | 1498 | 420 | 2/4 |
| 9 | L30-306 | 1366 | 371 | 2/4 |
| 10 | L30-307 | 447 | 350 | 2/4 |
| 11 | L30-405 | 1366 | 40 | 2/4 |
| 12 | L30-905 | 838 | 446 | 3/4 |
| 13 | L30-906 | 838 | 457 | 3/4 |
| 14 | L30-907 | 838 | 457 | 3/4 |
| 15 | L30-908 | 411 | 355 | 1/4 |
| 16 | ZS3-5594 | 389 | 160 | 1/4 |
| 17 | ZS4-537 | 350 | 160 | 1/4 |
| 18 | ZS4-538 | 350 | 160 | 1/4 |



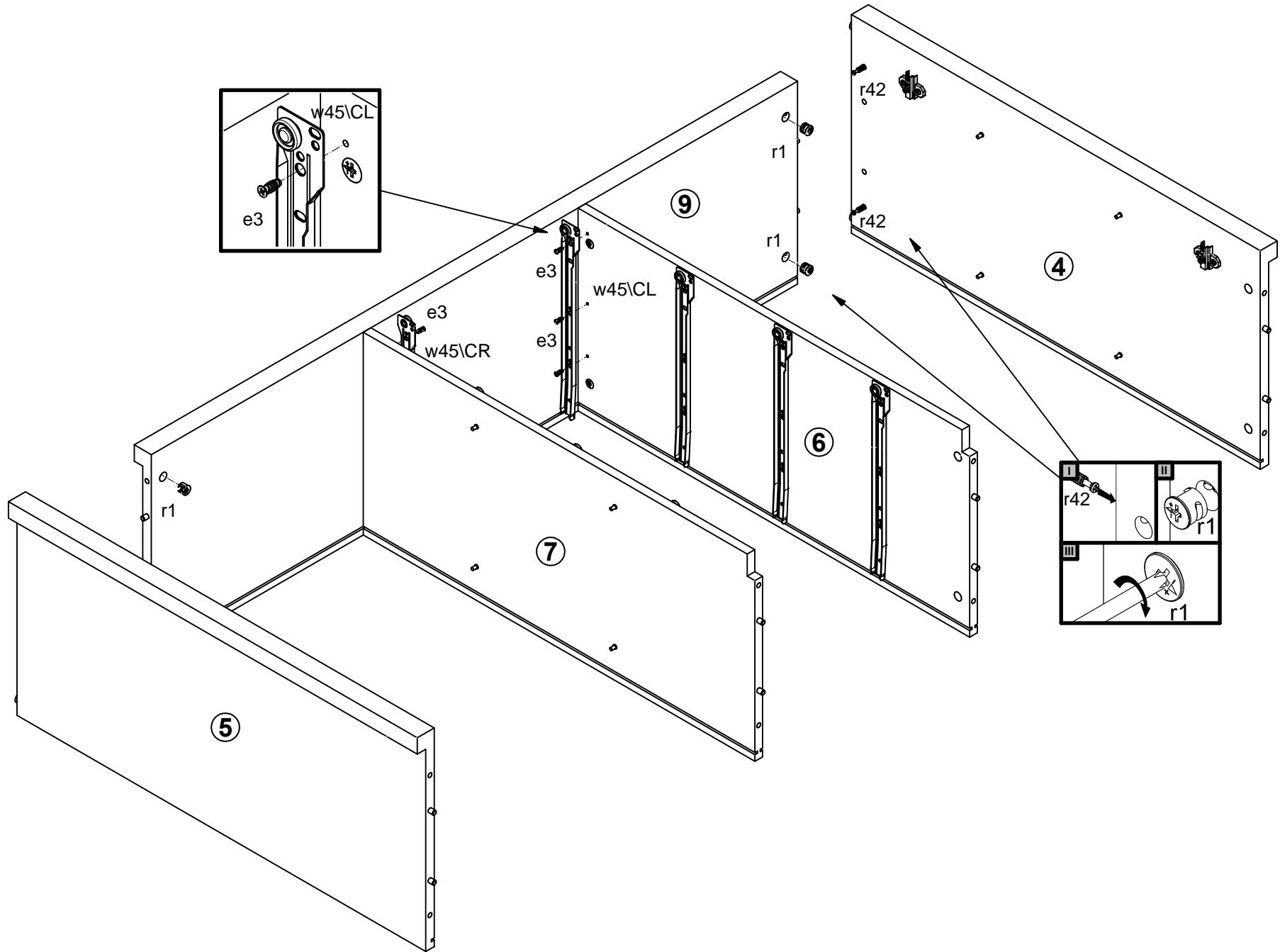
| | | | | | | | | | | | | |
|-----------------------------|---|--|---|--|---|---|---|--|--|----------------------------|----------------------------|--|
| 4x a43 | 4x b19 | 6x c406 128 mm | 16x d1 $\varnothing 5 \times 17$ mm | 24x e3 $\varnothing 6 \times 13$ mm | 16x e19 $\varnothing 5 \times 9$ mm | 4x e22 $\varnothing 7 \times 28$ mm | 16x f1 $\varnothing 8 \times 30$ mm | 8x f9 $\varnothing 6 \times 30$ mm | 16x f25 $\varnothing 6.5 \times 40$ mm | 12x j8 M4x25 mm | 6x k1 | 2x k3912 M6/ $\varnothing 14 \times 14$ mm |
| 2x k3913 M6/22 mm | 12x l2 | 12x p38 $\varnothing 3.5 \times 16$ mm | 8x p51 $\varnothing 3.5 \times 15$ mm | 16x r1 $\varnothing 15 \times 12$ mm #16 | 16x r15 $\varnothing 12 \times 10.5$ mm #12 | 32x r42 | 8x s2 $\varnothing 16$ | 4x w45\CL 350 mm | 4x w45\CR 350 mm | 4x w45\DL 350 mm | 4x w45\DR 350 mm | 1x z1 |
| 1x n261 | 1x p38 $\varnothing 3.5 \times 16$ mm | | | | | | | | | | | |



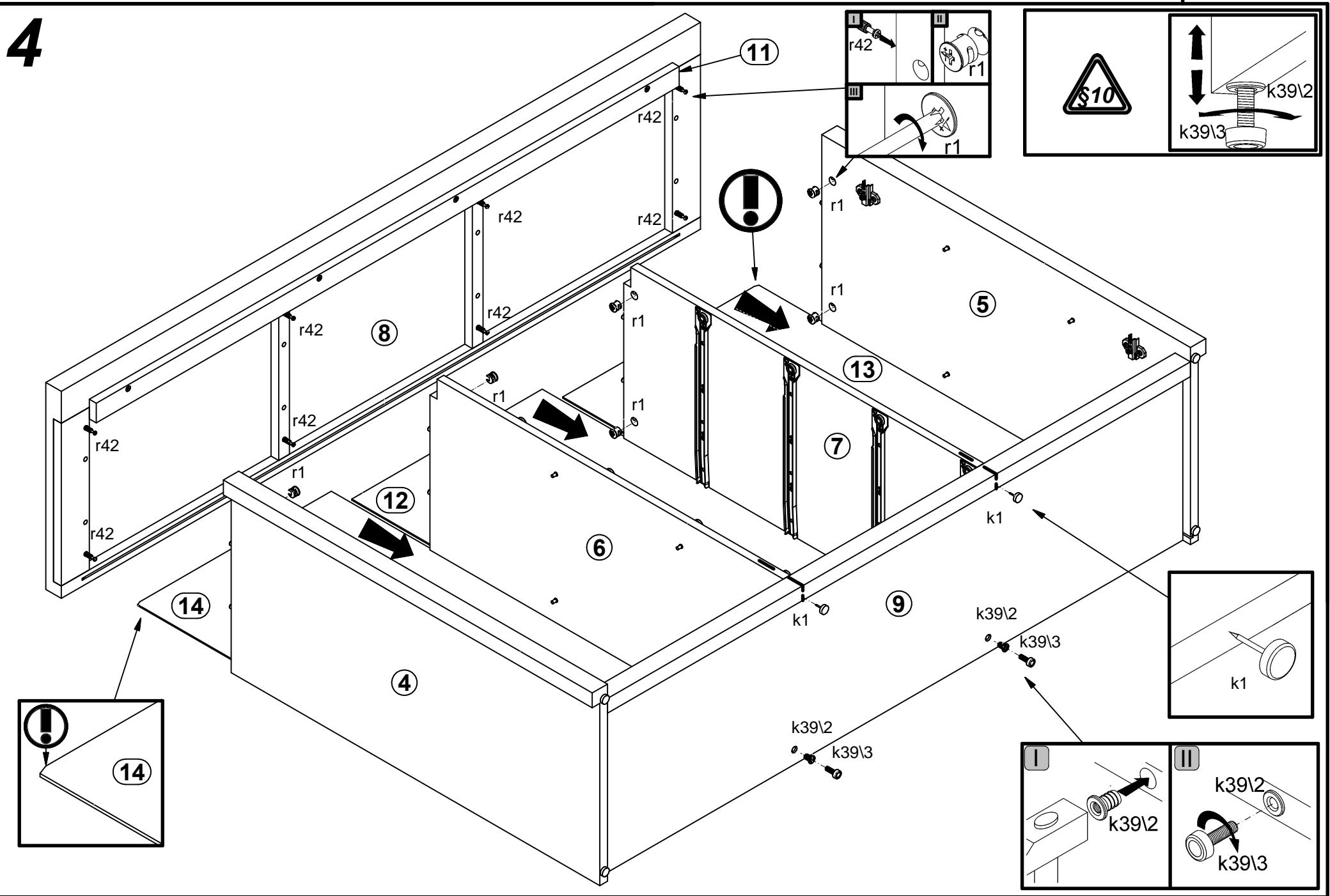
2



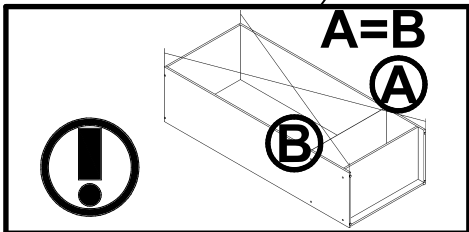
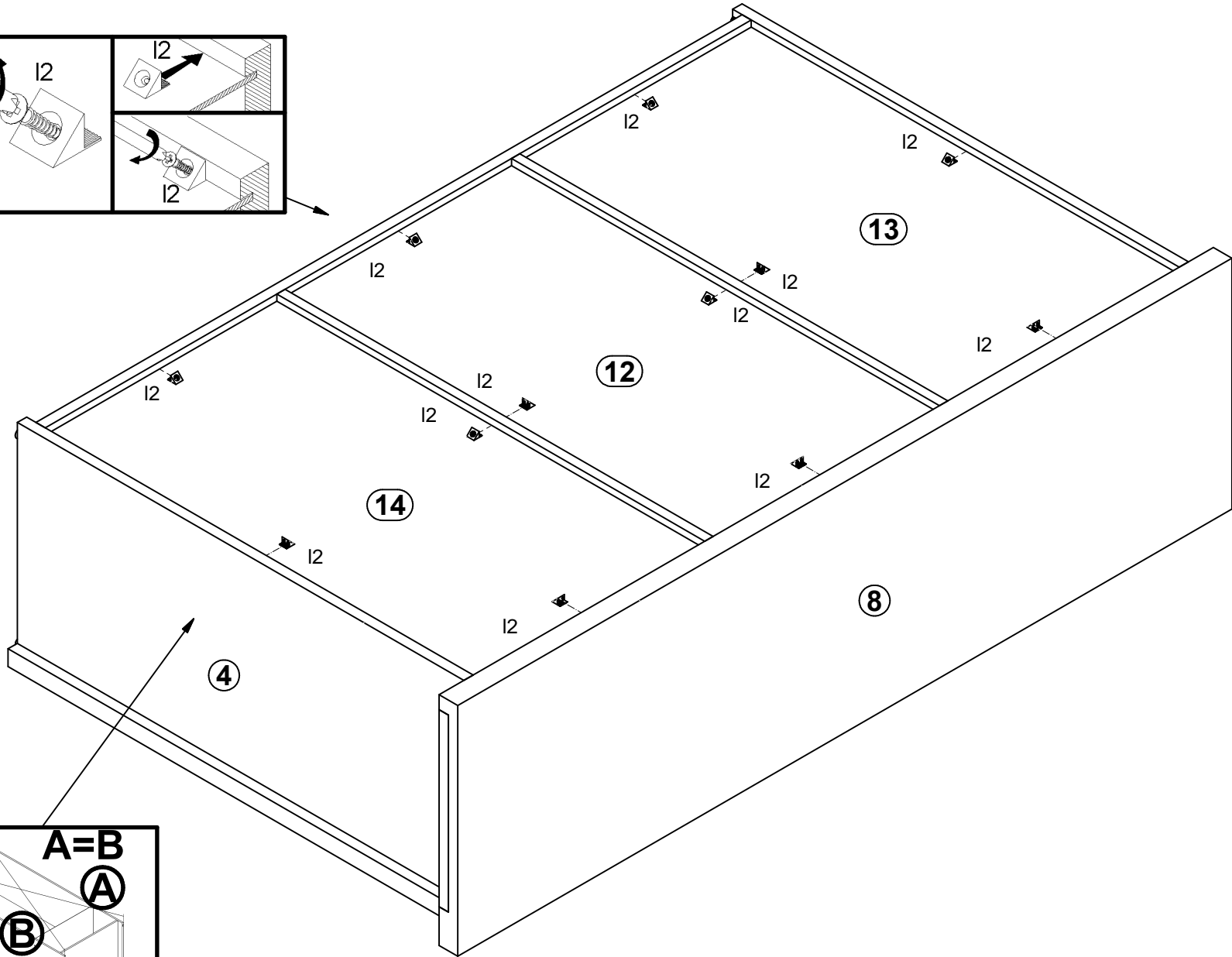
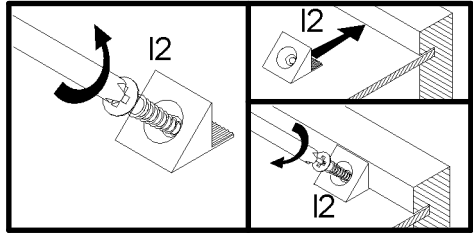
3



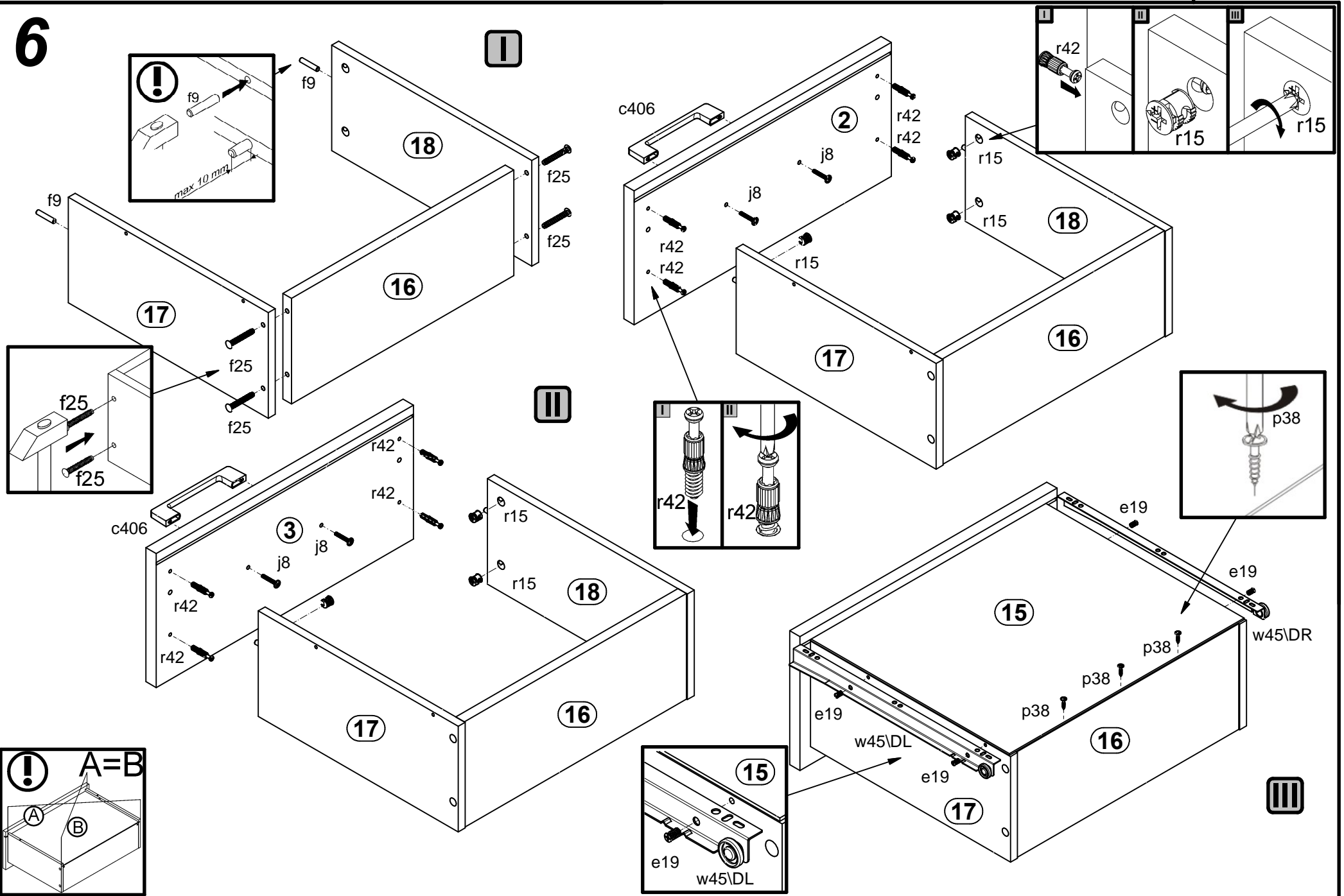
4



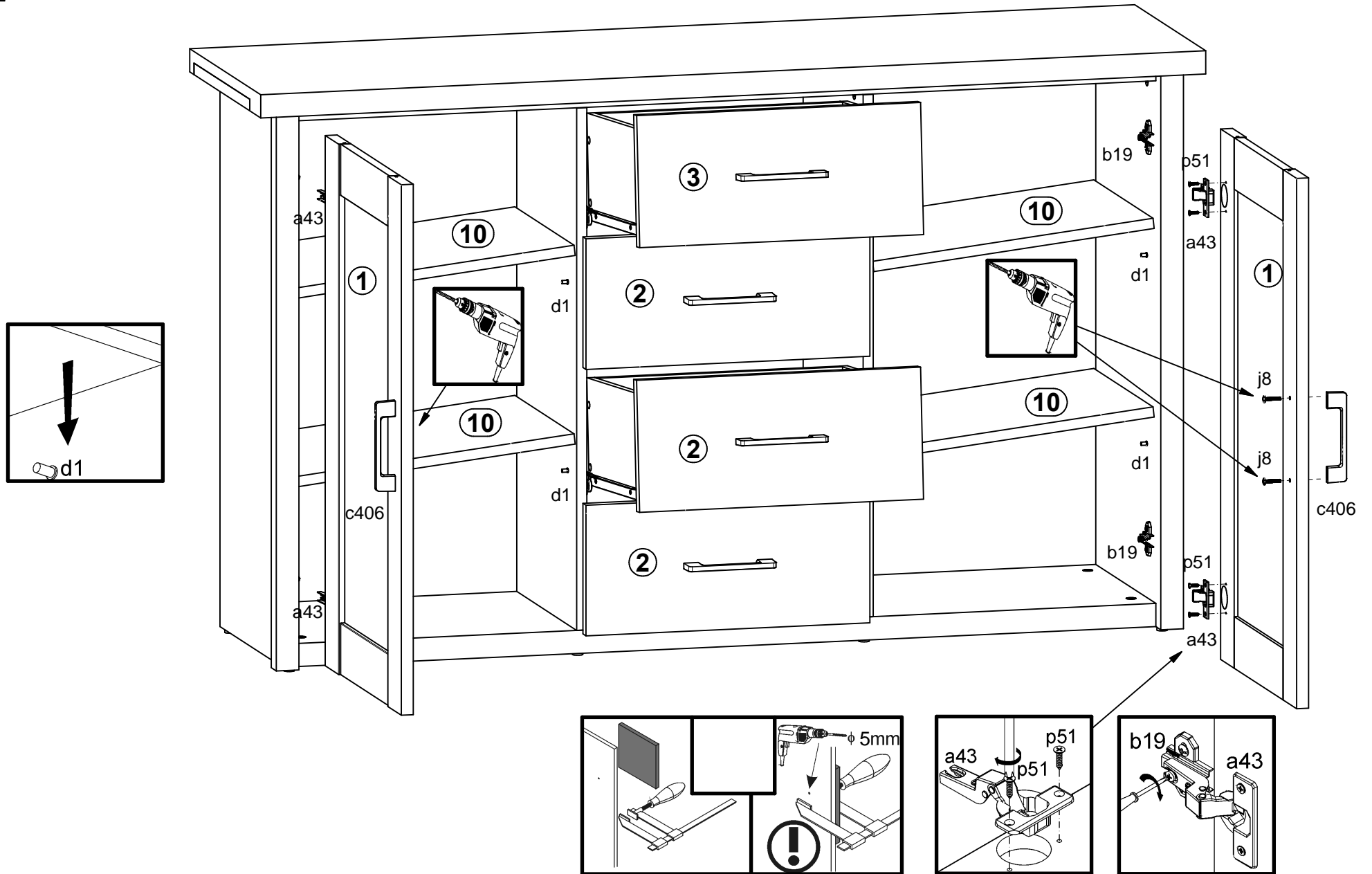
5



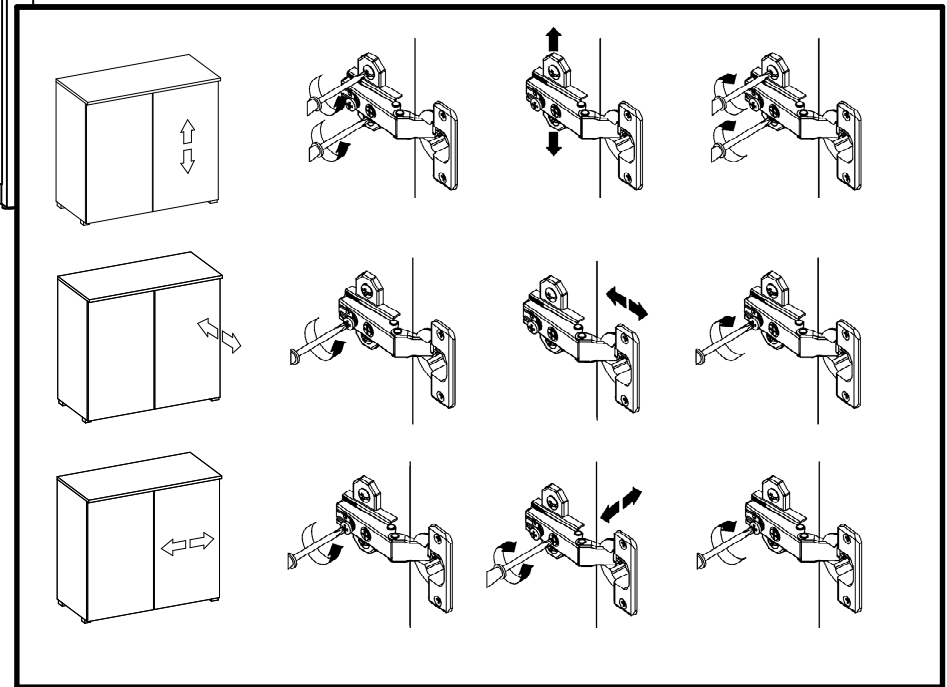
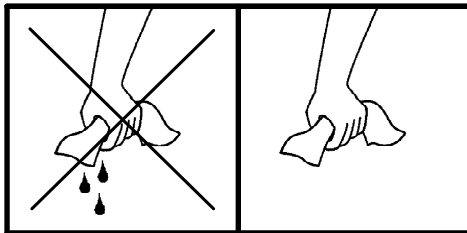
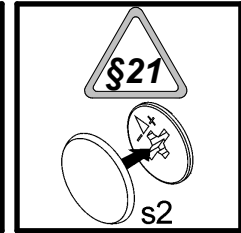
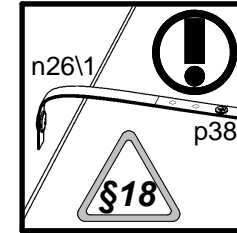
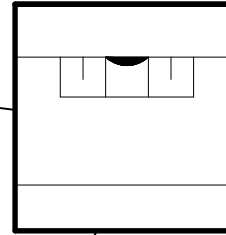
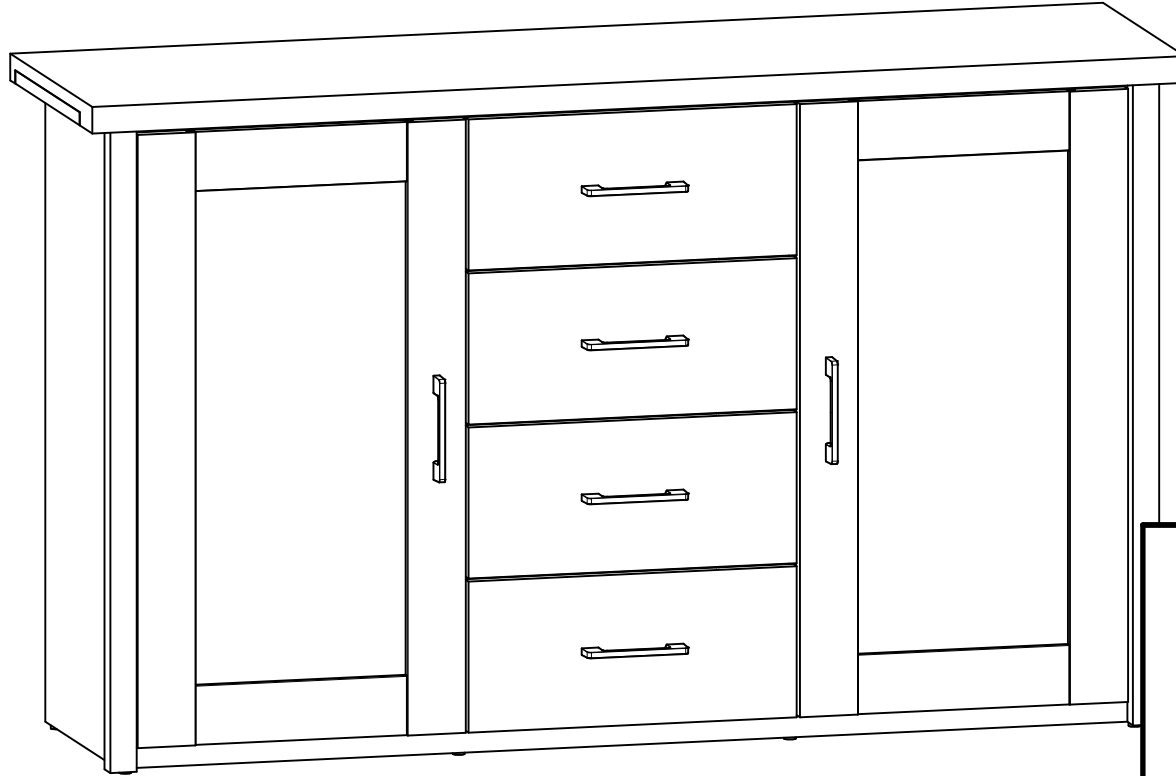
6

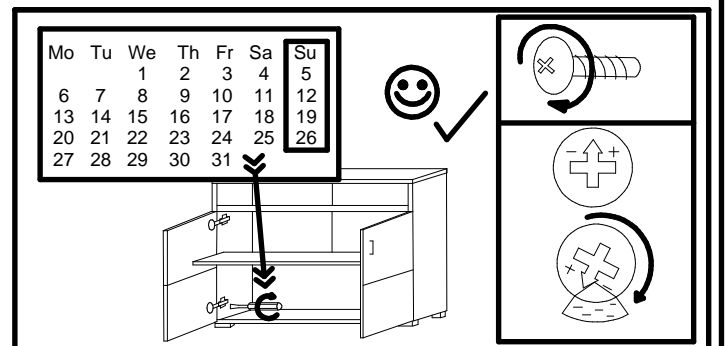
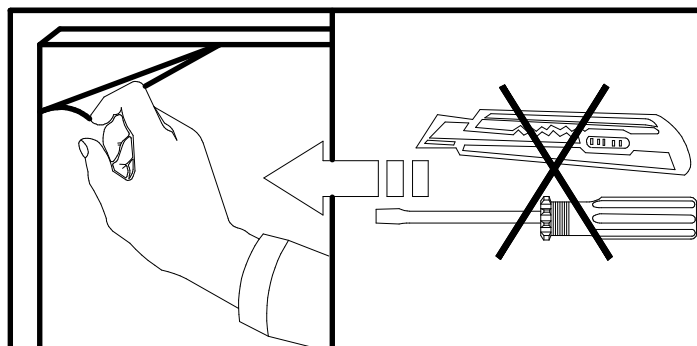
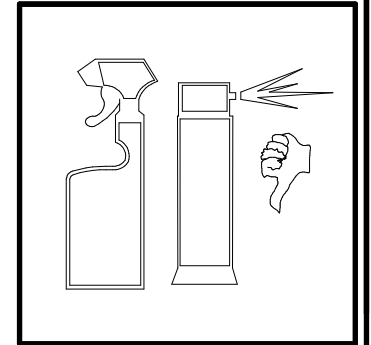
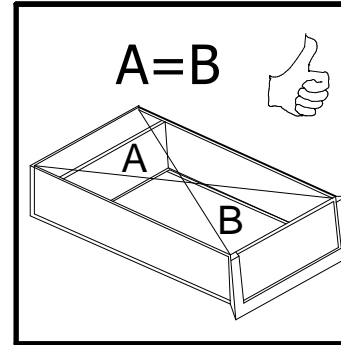
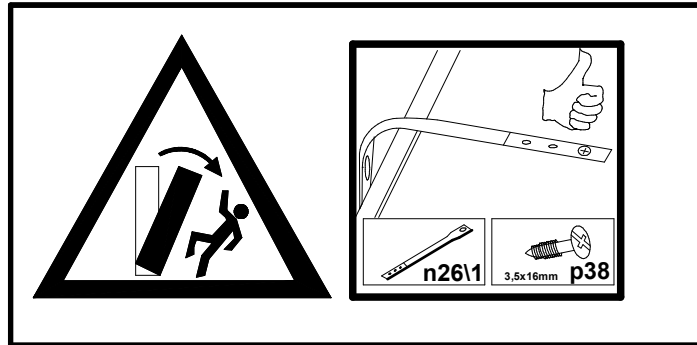
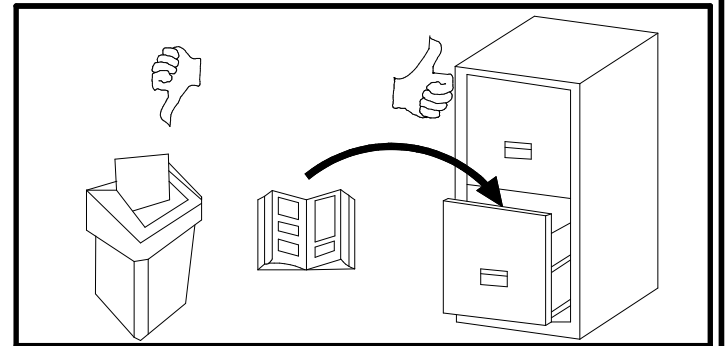
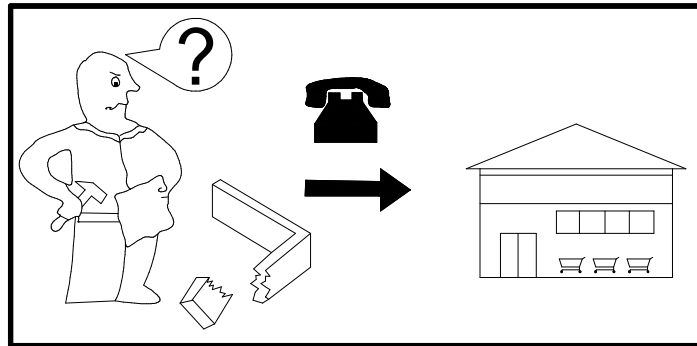
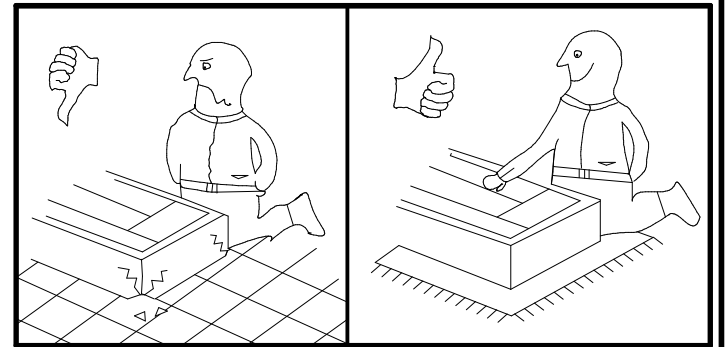
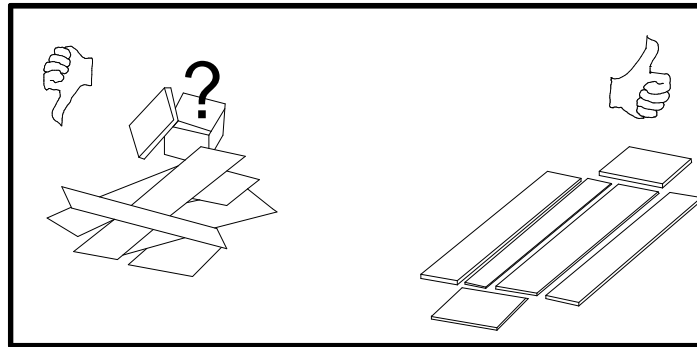
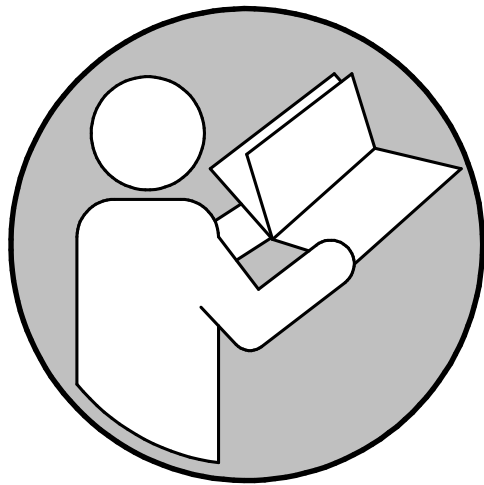


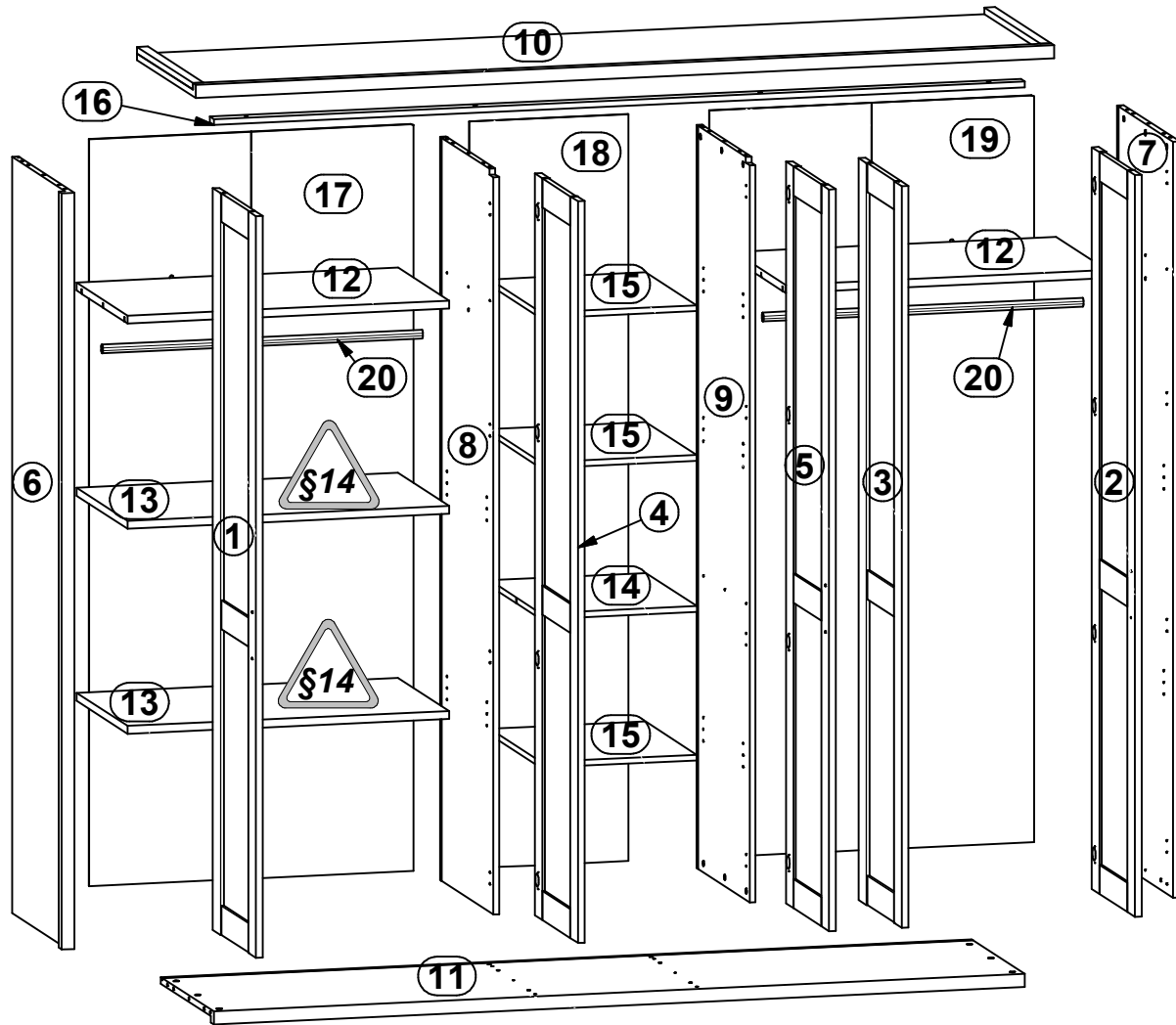
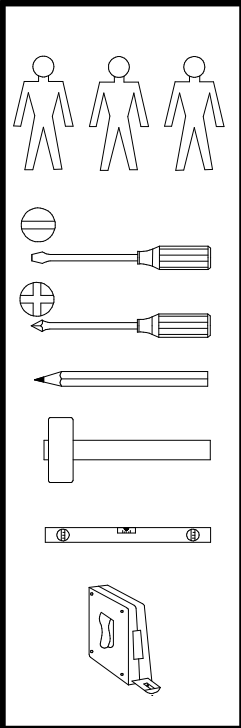
7



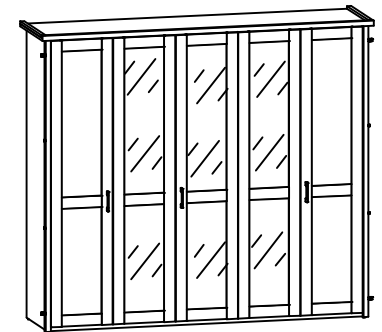
8





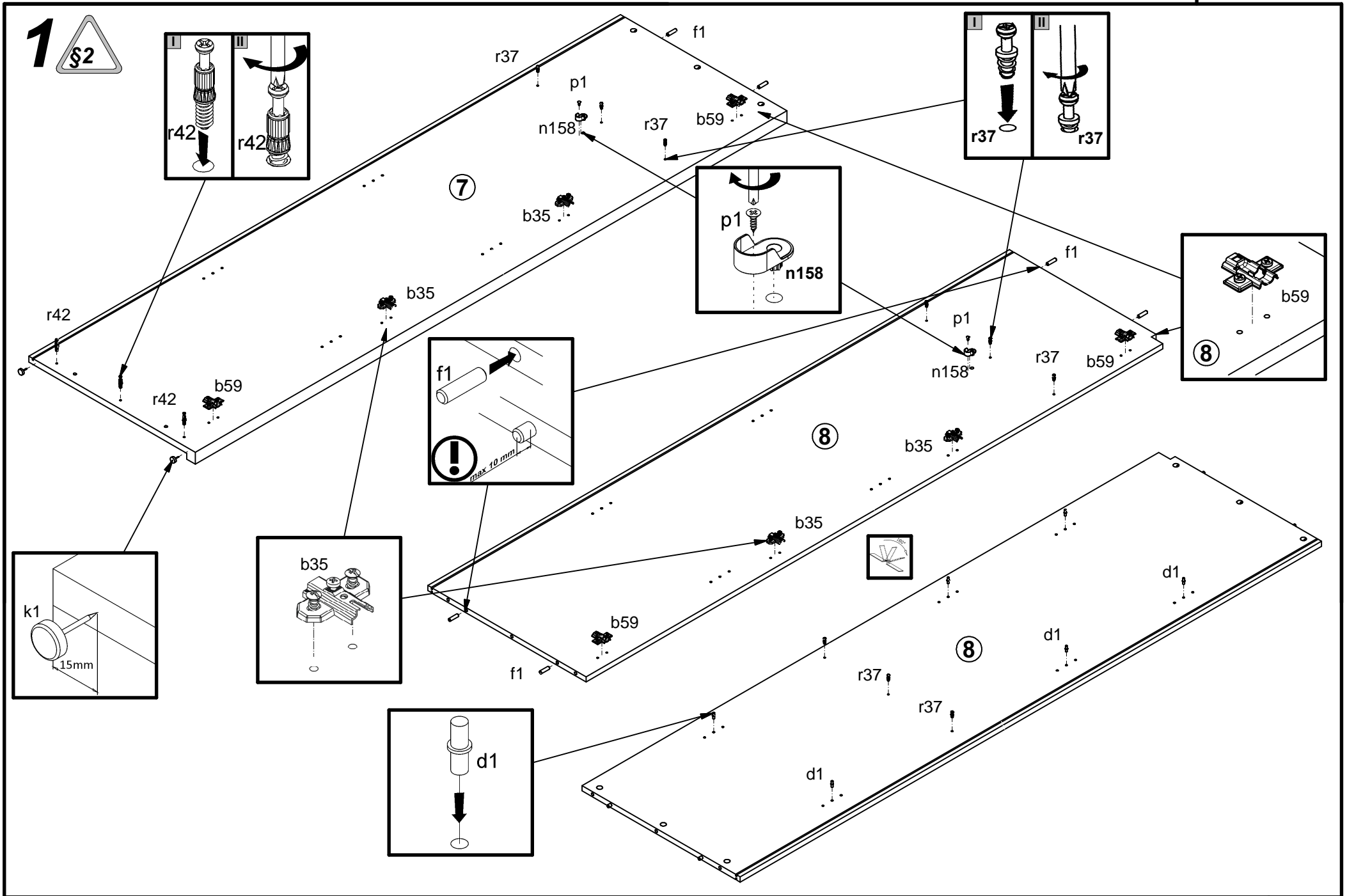


| A | B | C (mm) | D | |
|----|---------|--------|-----|-----|
| 1 | L30-001 | 2040 | 450 | 5/6 |
| 2 | L30-002 | 2040 | 450 | 5/6 |
| 3 | L30-003 | 2040 | 450 | 6/6 |
| 4 | L30-004 | 2040 | 450 | 6/6 |
| 5 | L30-005 | 2040 | 450 | 6/6 |
| 6 | L30-101 | 2080 | 585 | 1/6 |
| 7 | L30-102 | 2080 | 585 | 1/6 |
| 8 | L30-103 | 2044 | 556 | 2/6 |
| 9 | L30-104 | 2044 | 556 | 2/6 |
| 10 | L30-201 | 2406 | 615 | 3/6 |
| 11 | L30-301 | 2274 | 556 | 3/6 |
| 12 | L30-302 | 902 | 535 | 4/6 |
| 13 | L30-303 | 901 | 535 | 1/1 |
| 14 | L30-304 | 438 | 535 | 4/6 |
| 15 | L30-305 | 437 | 535 | 4/6 |
| 16 | L30-401 | 2274 | 40 | 3/6 |
| 17 | L30-901 | 2054 | 910 | 1/6 |
| 18 | L30-902 | 2054 | 446 | 1/6 |
| 19 | L30-903 | 2054 | 910 | 1/6 |
| 20 | dr-897 | 897 | 30 | 4/6 |

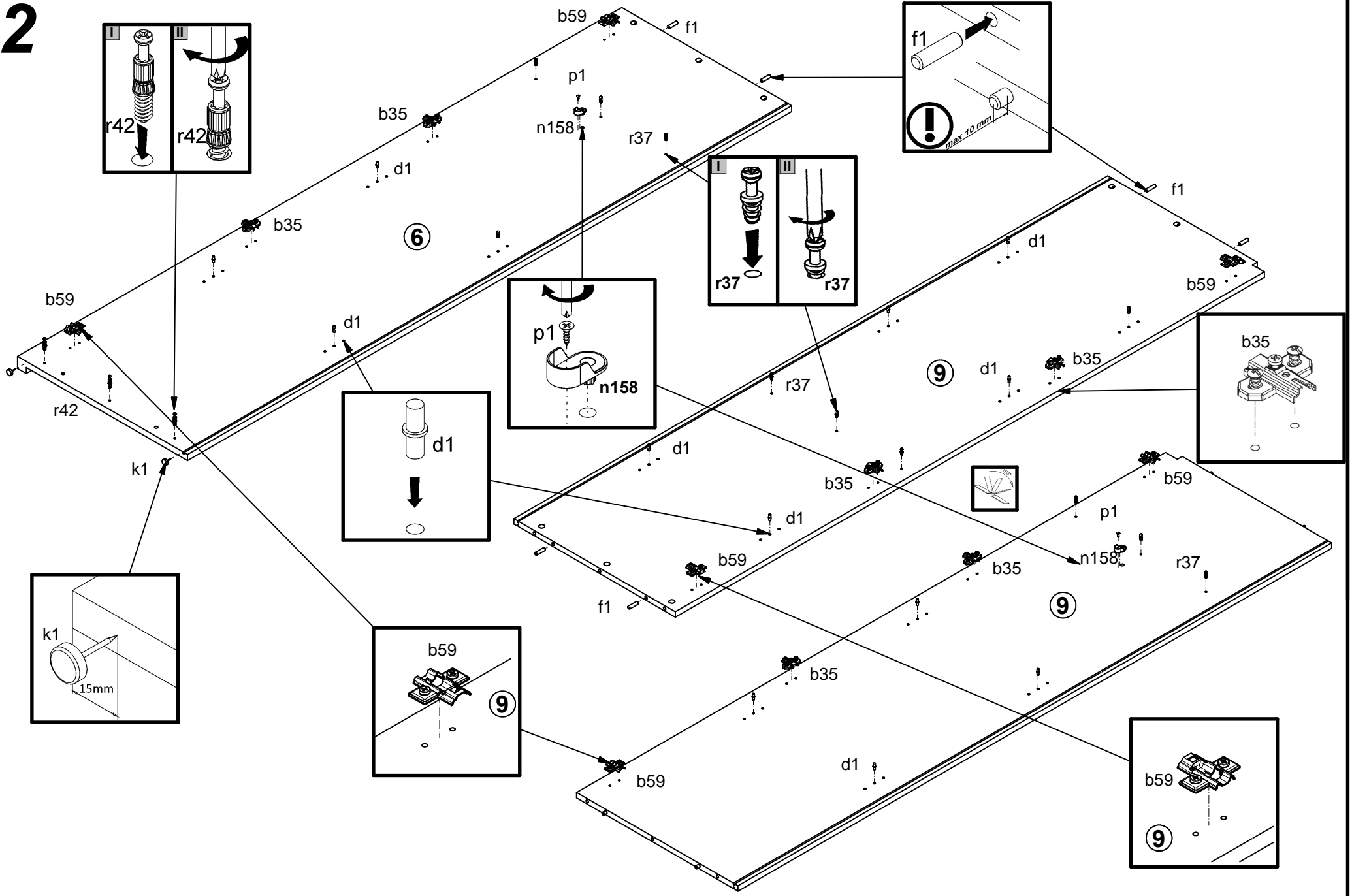


| | | | | | | | | | | | |
|------------------------|--------------------------|---------------------------|---------------------|------------------------------|--------|---------------------------|-----------------------|---------|----------------------|----------------------|----------|
| 4x a101 | 6x a103 | 4x a43 | 6x a68 | cm 0 1 2 3 4 5 6 7 8 9 10 | | | | | | 10x b35 | 10x b59 |
| 3x c406 128 mm | 12x d1 Ø5x17 mm | 4x e22 Ø7x28 mm | 16x f1 Ø8x30 mm | 6x j8 M4x25 mm | 8x k1 | 2x k3912 M6/Ø14x14 mm | 2x k3913 M6/22 mm | 58x l2 | 4x n158 | 4x p1 Ø3.5x13 mm | |
| 40x p51 Ø3.5x15 mm | 24x r1 Ø15x12 mm #16 | 18x r36 Ø20x12 mm #16 | 18x r37 | 24x r42 | 1x z1 | 4x s1 | 24x s2 Ø16 | 5x d20 | 5x e2 Ø6.3x13 mm | 8x d1 Ø5x17 mm | |

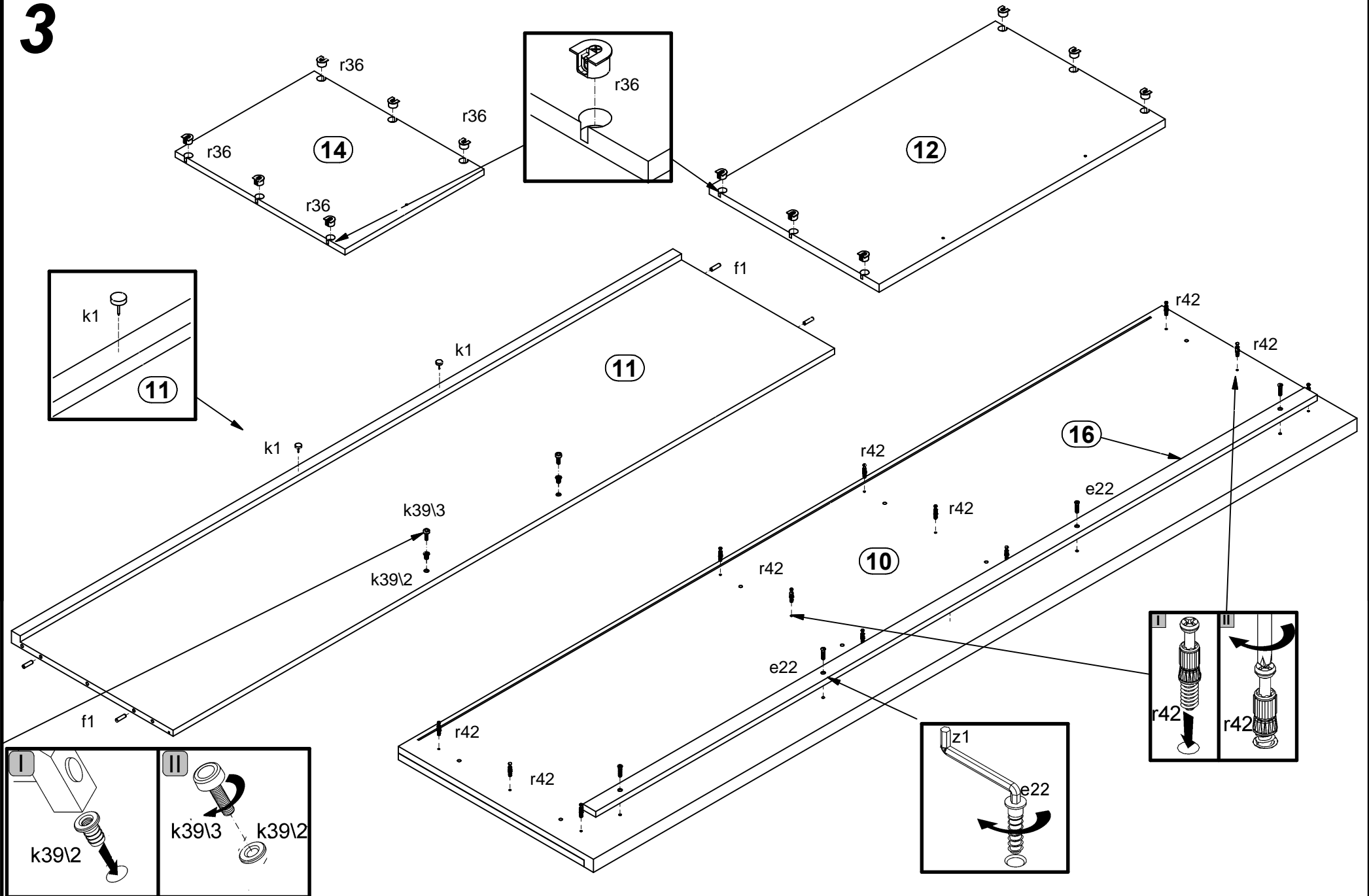




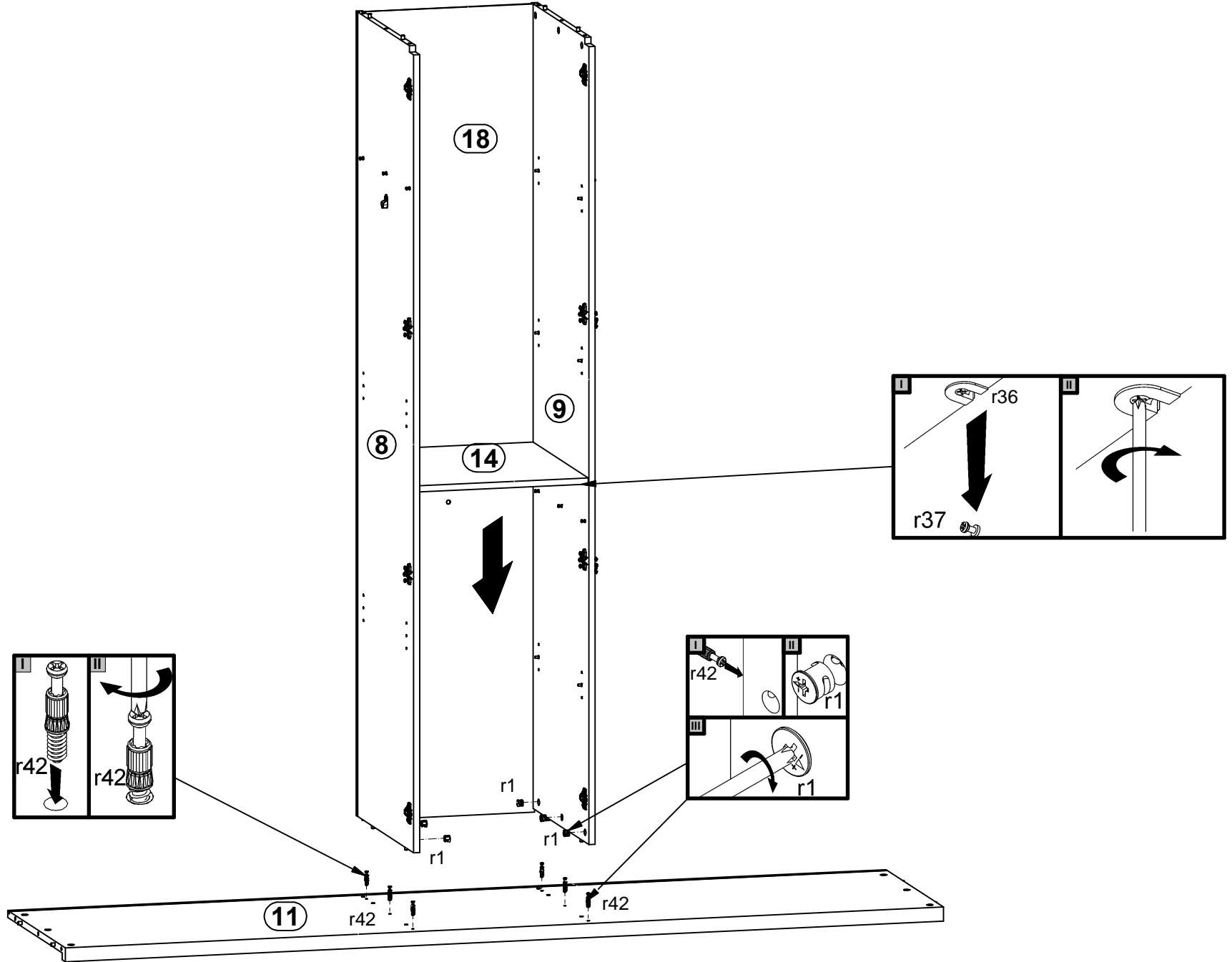
2



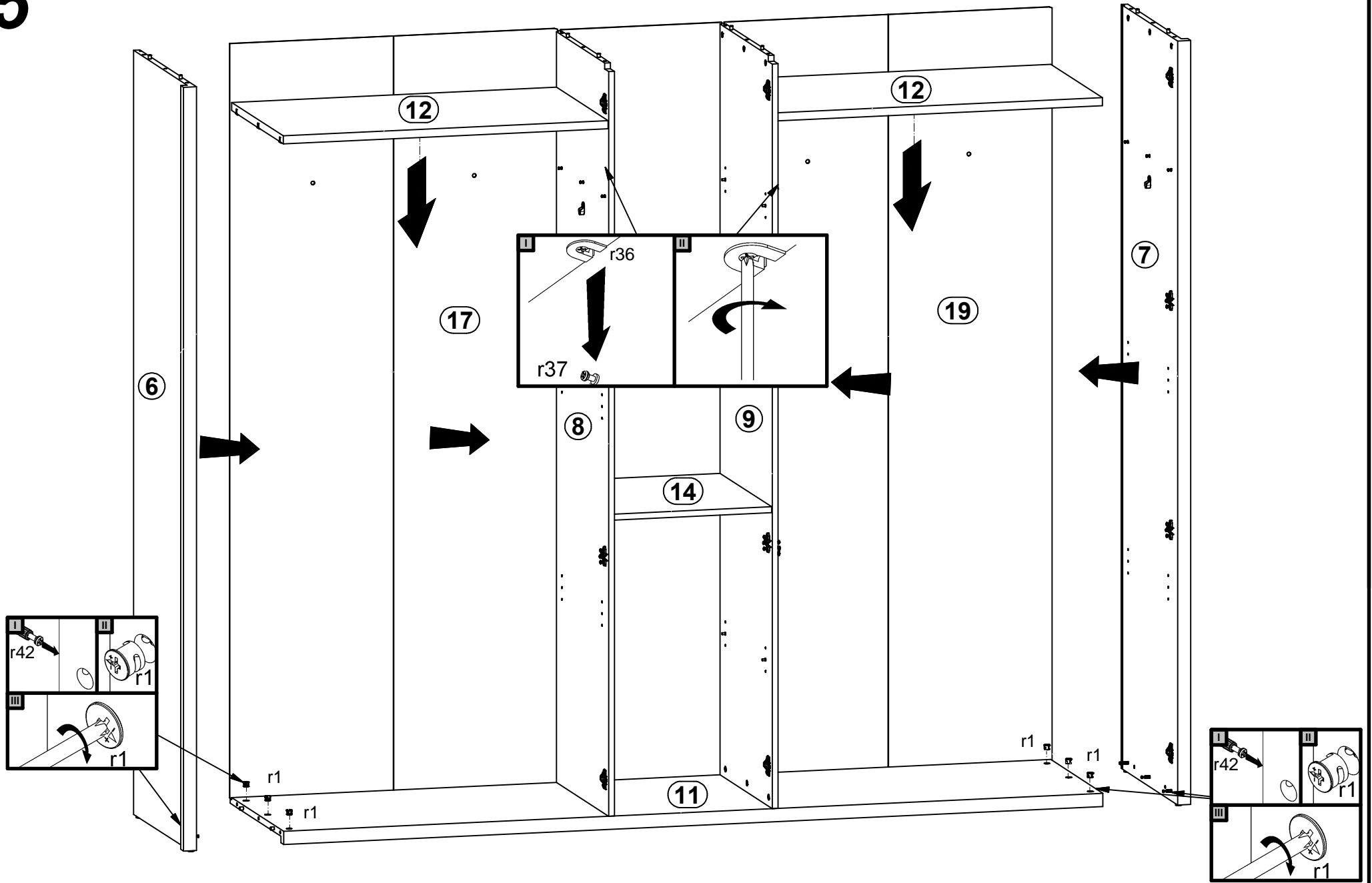
3



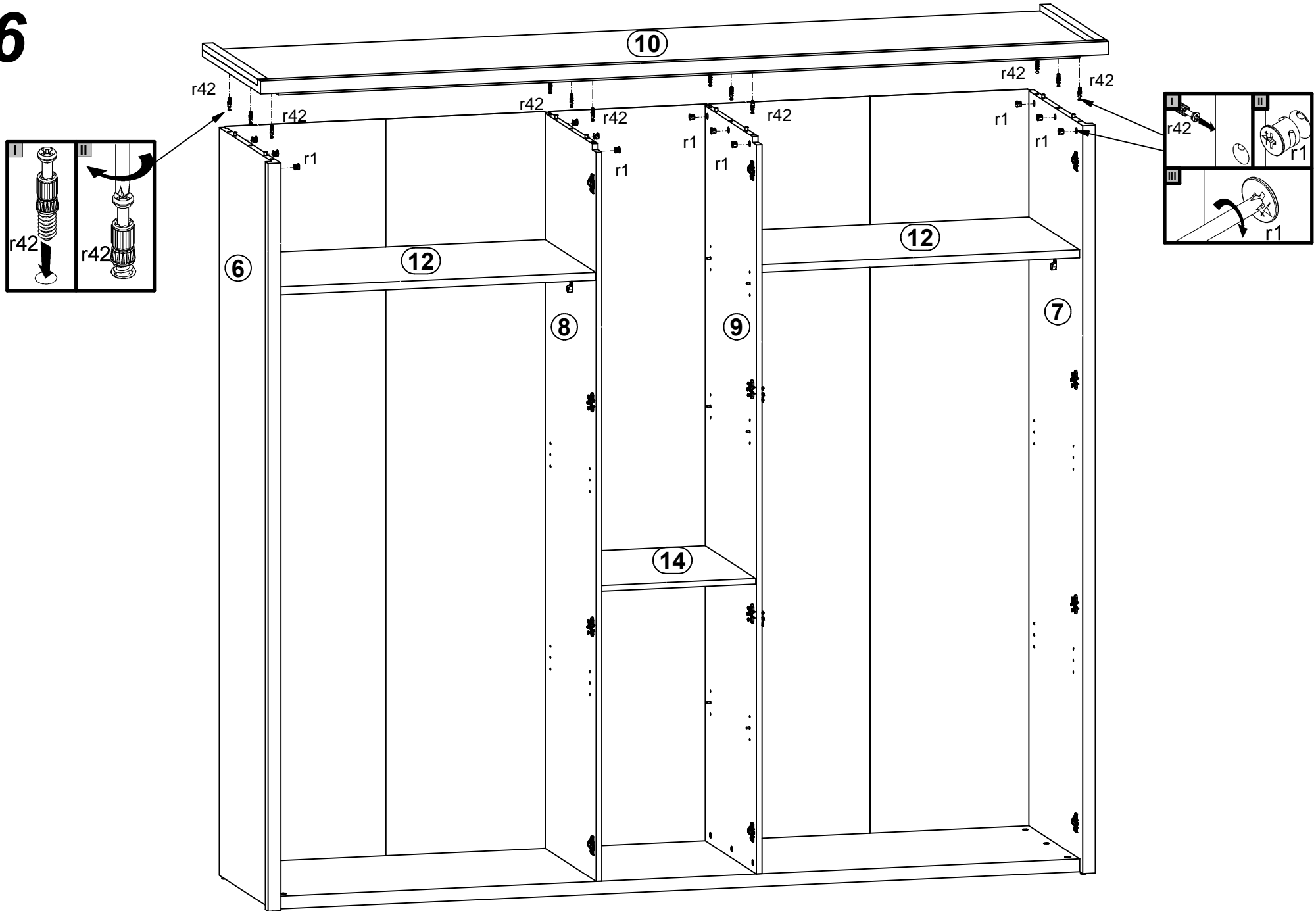
4



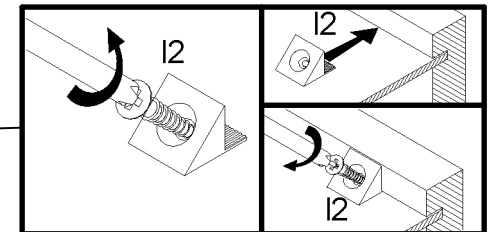
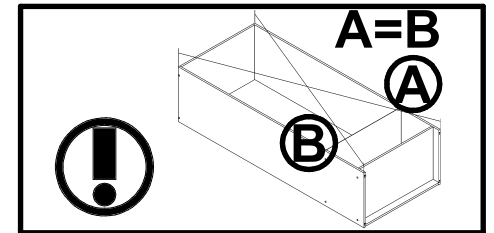
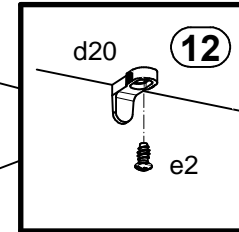
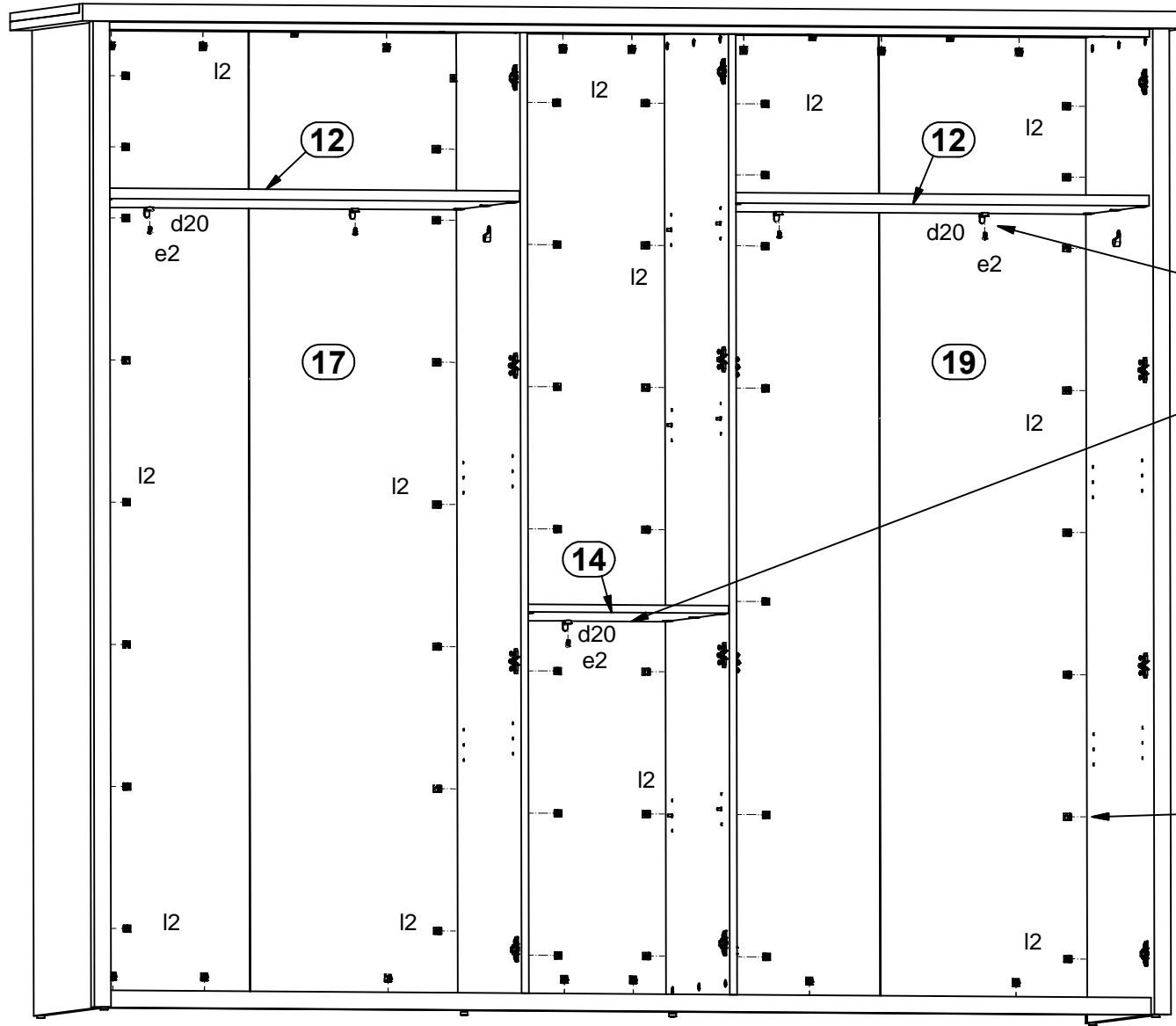
5



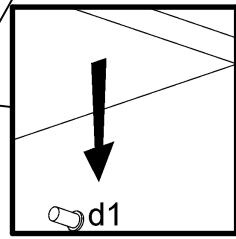
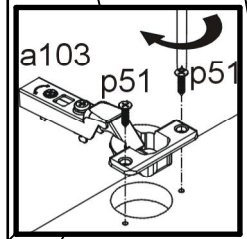
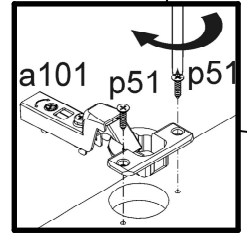
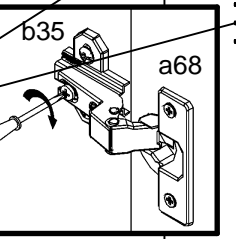
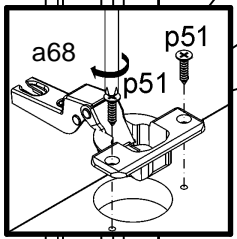
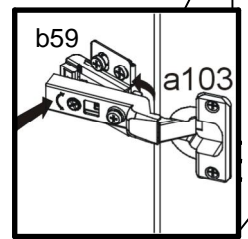
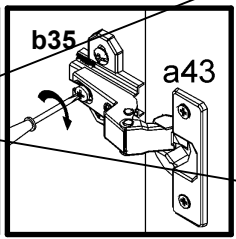
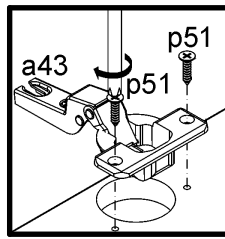
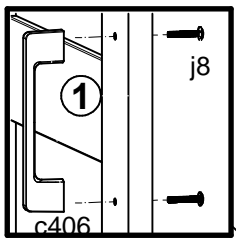
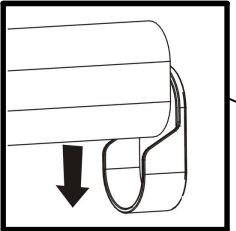
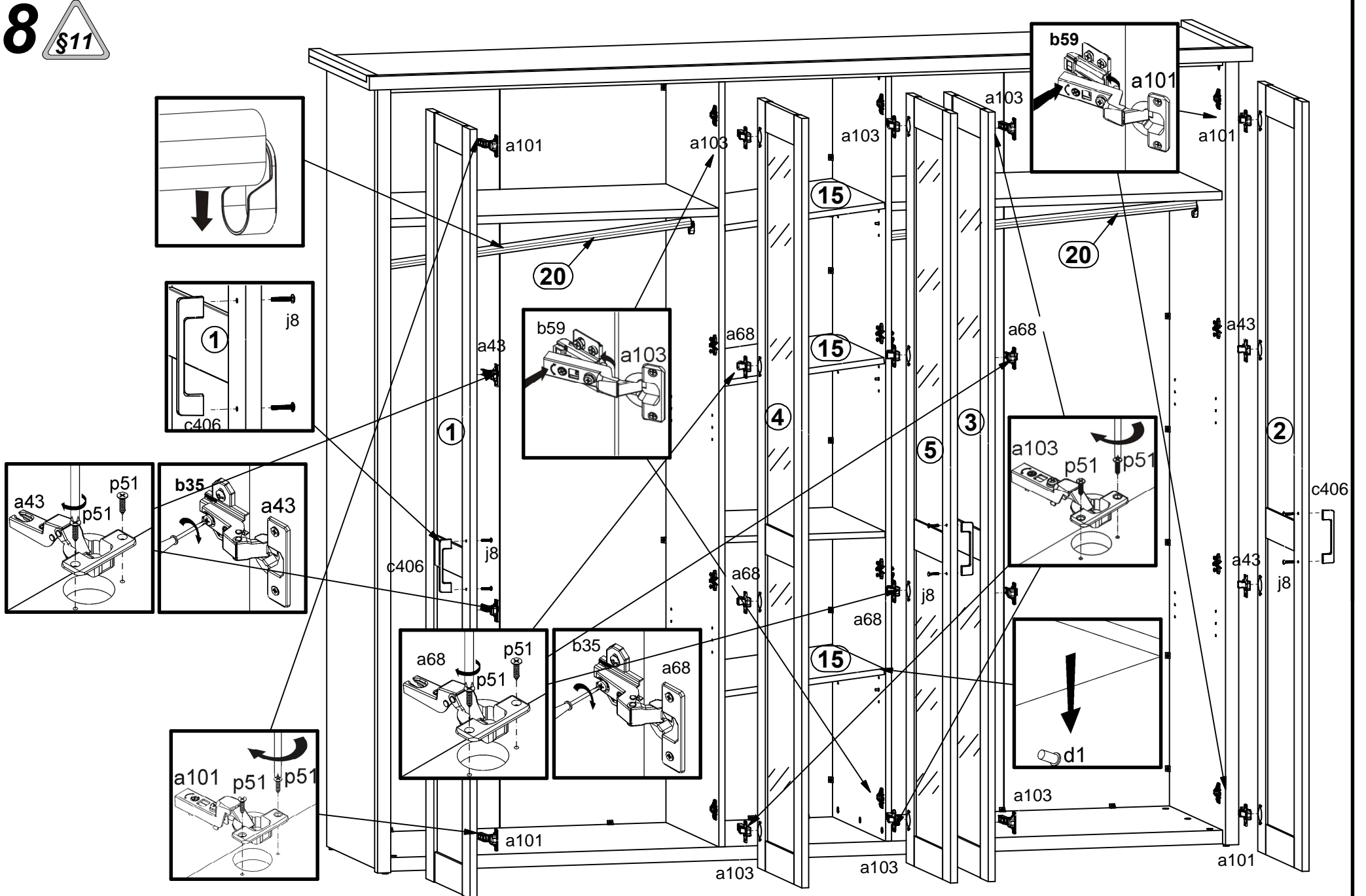
6



7



8



9

