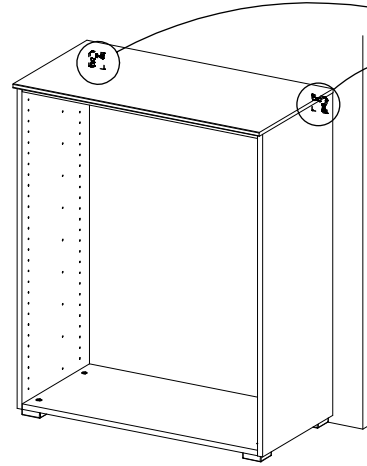
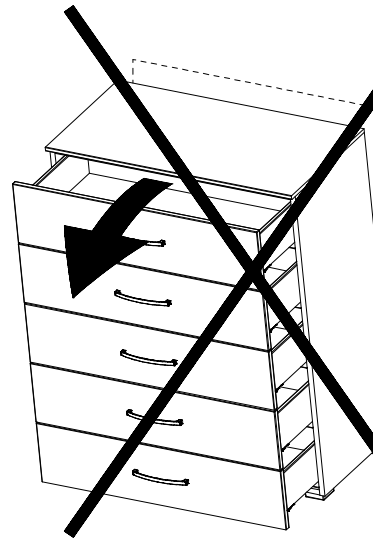
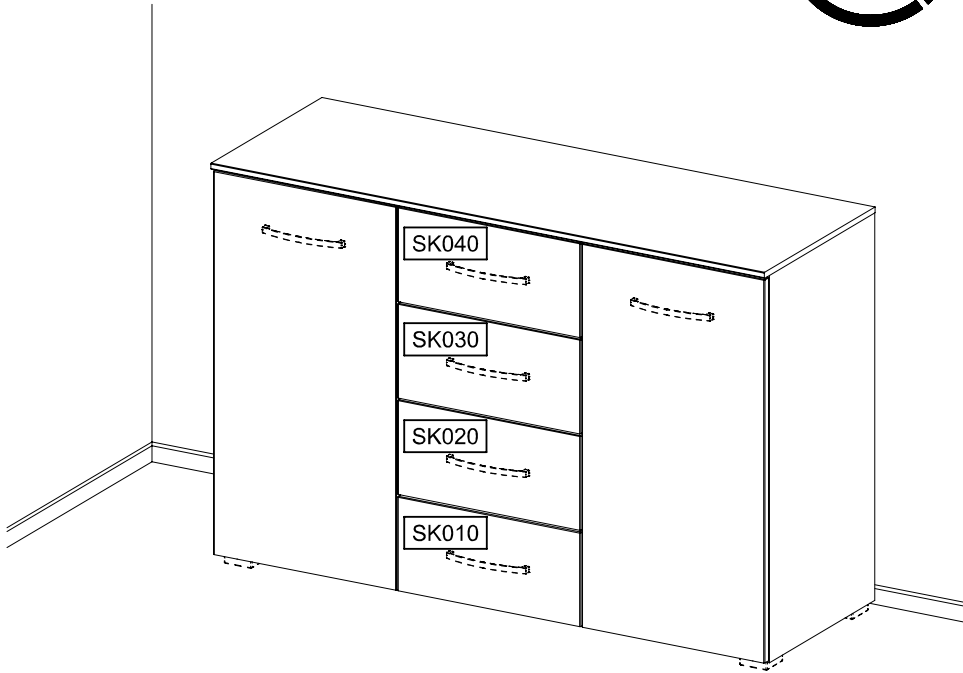
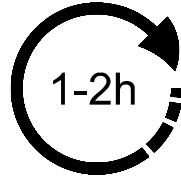
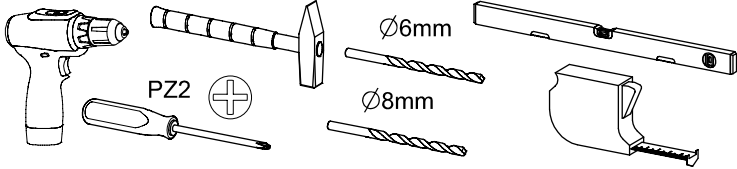
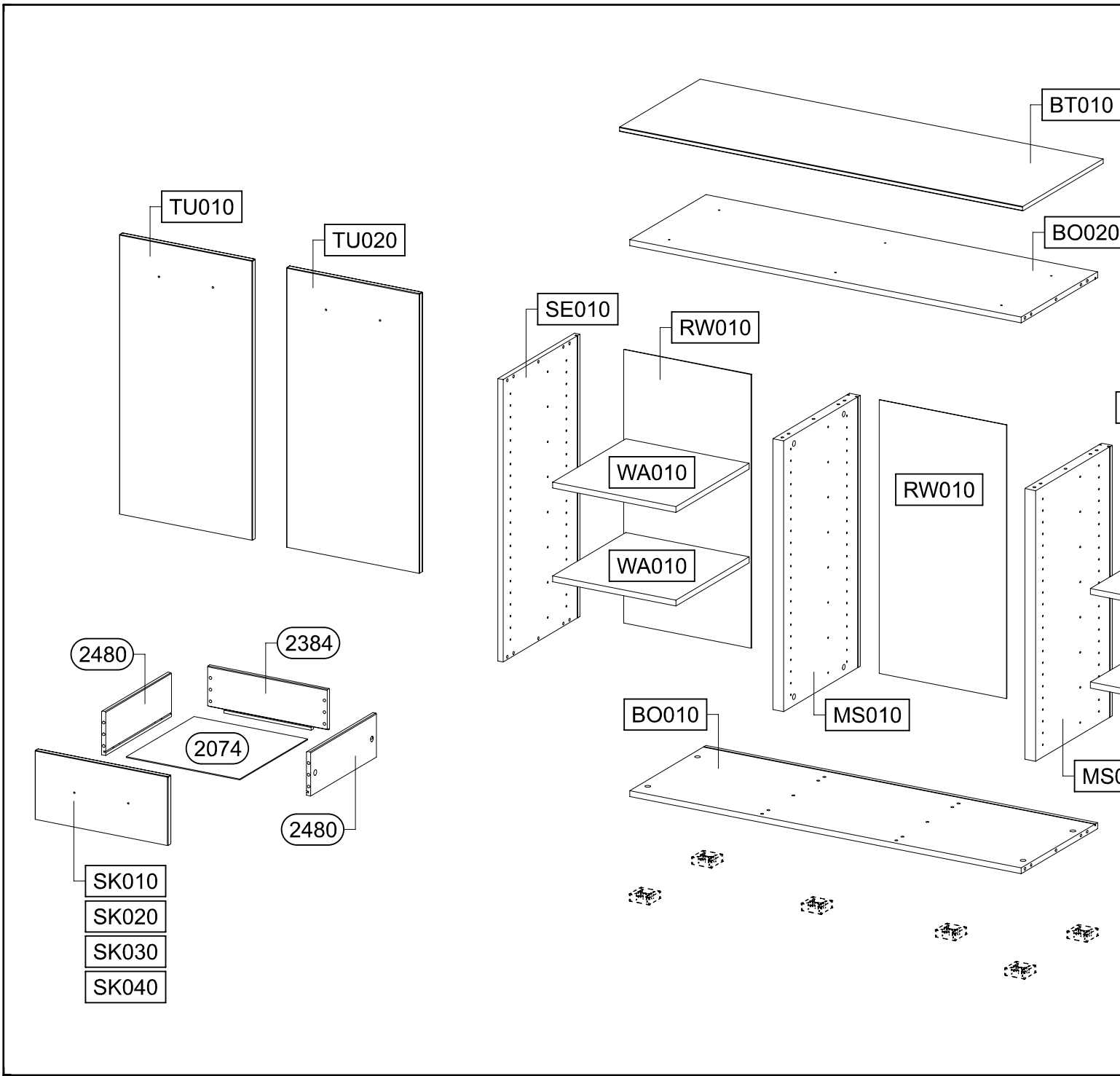

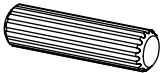

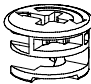
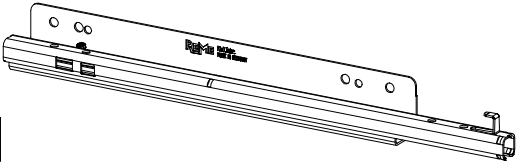

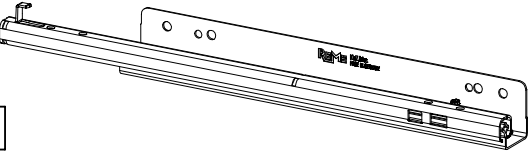
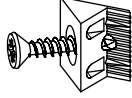
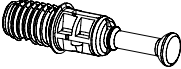

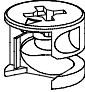
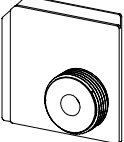
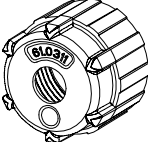

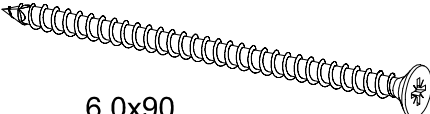

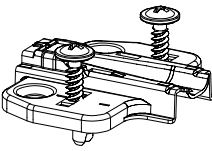
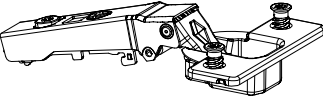
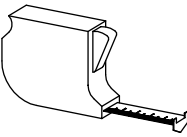
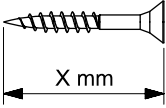
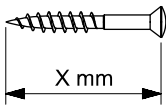
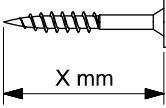


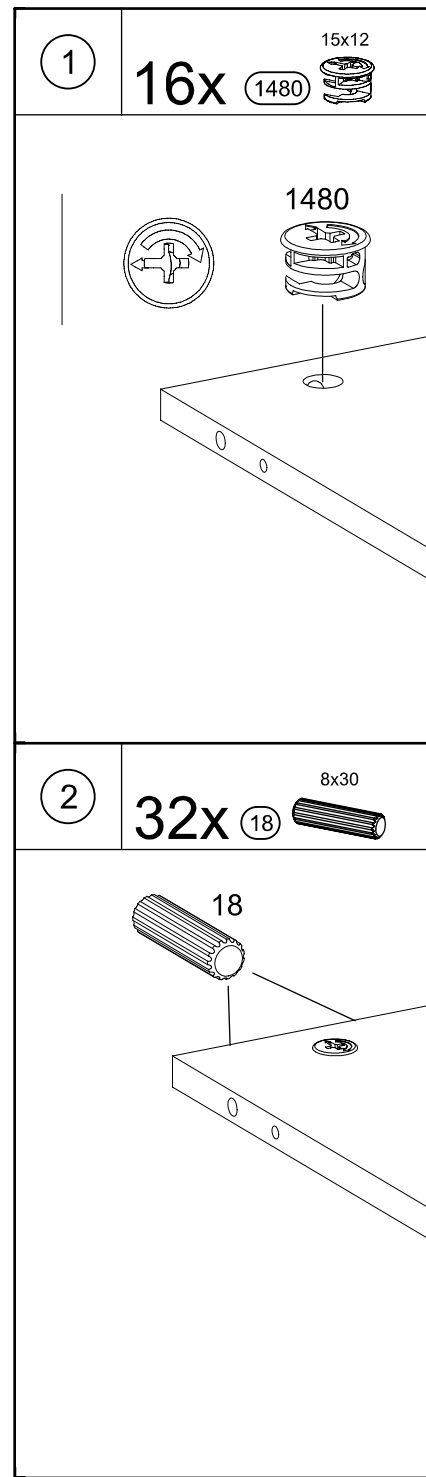
M3100_01

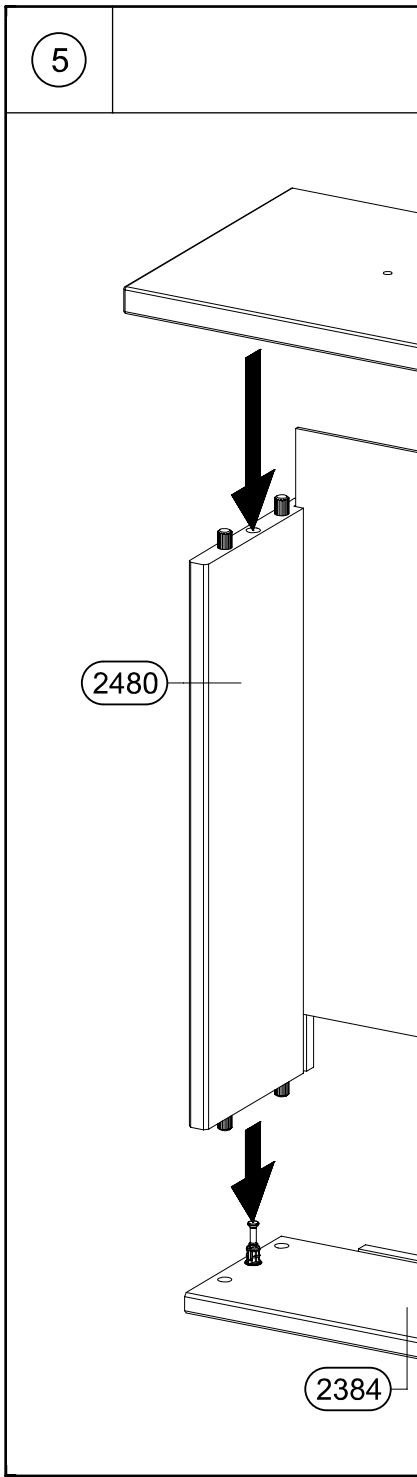
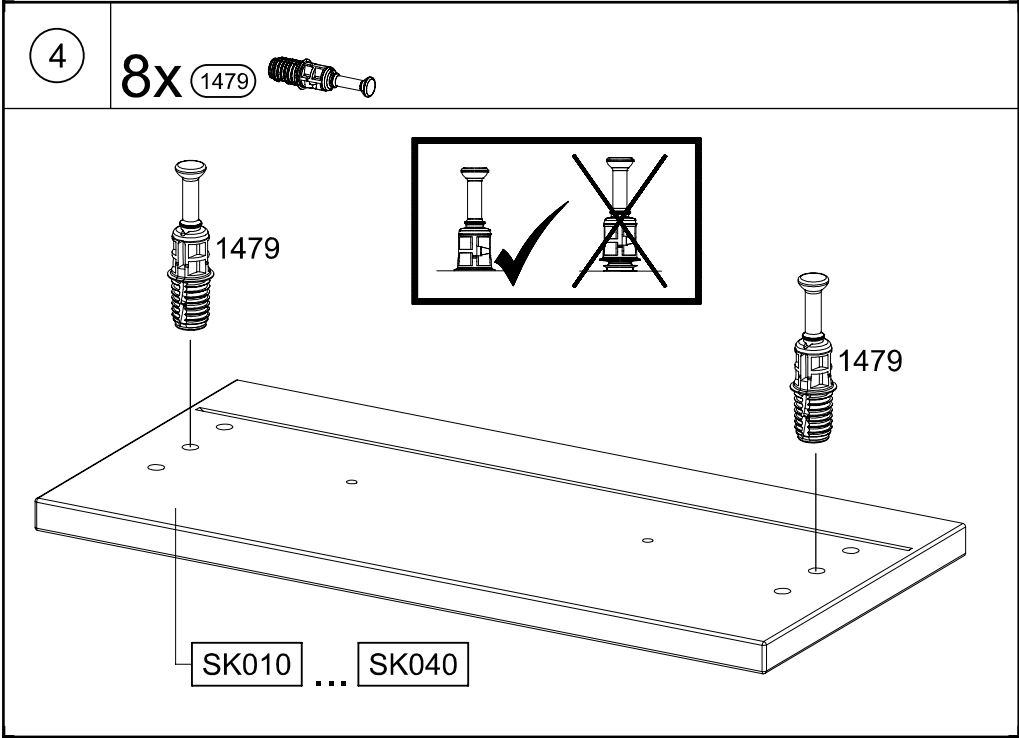
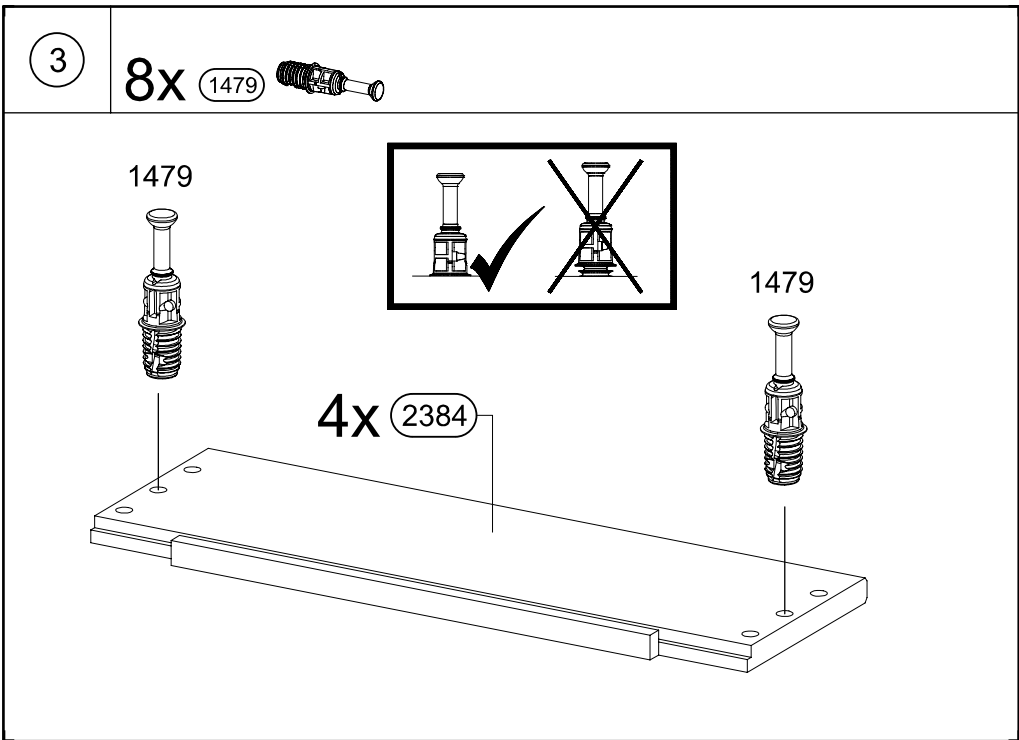


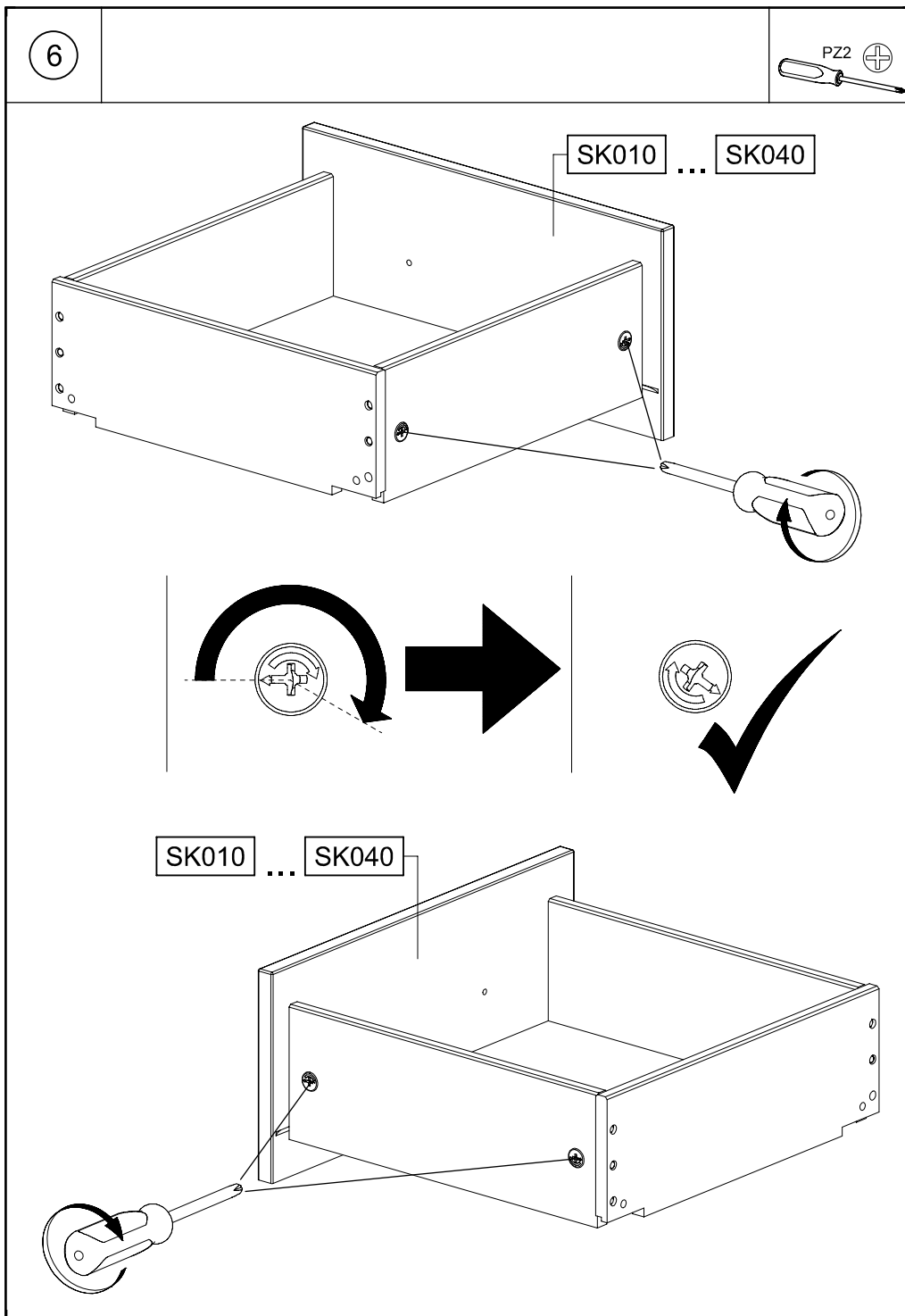
VIDEO



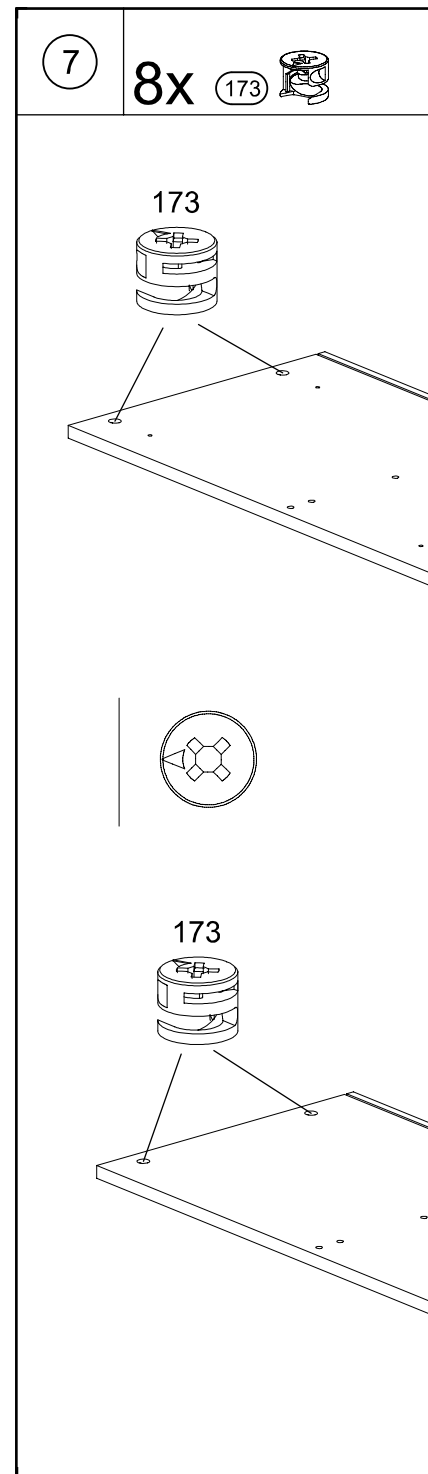
16x 836 4x15 	56x 18 8x30 	16x 792 6,3x9 	16x 1480 15x12 
4x UF010 	8x 240 4x25 		
4x UF020 	12x 45 		
32x 1479 	8x 852 	16x 173 	
2x 1091 	2x 1092 	2x 1093 	
2x 1147 6,0x90 		16x 1089 	
4x 1415 	4x 1421 		
			

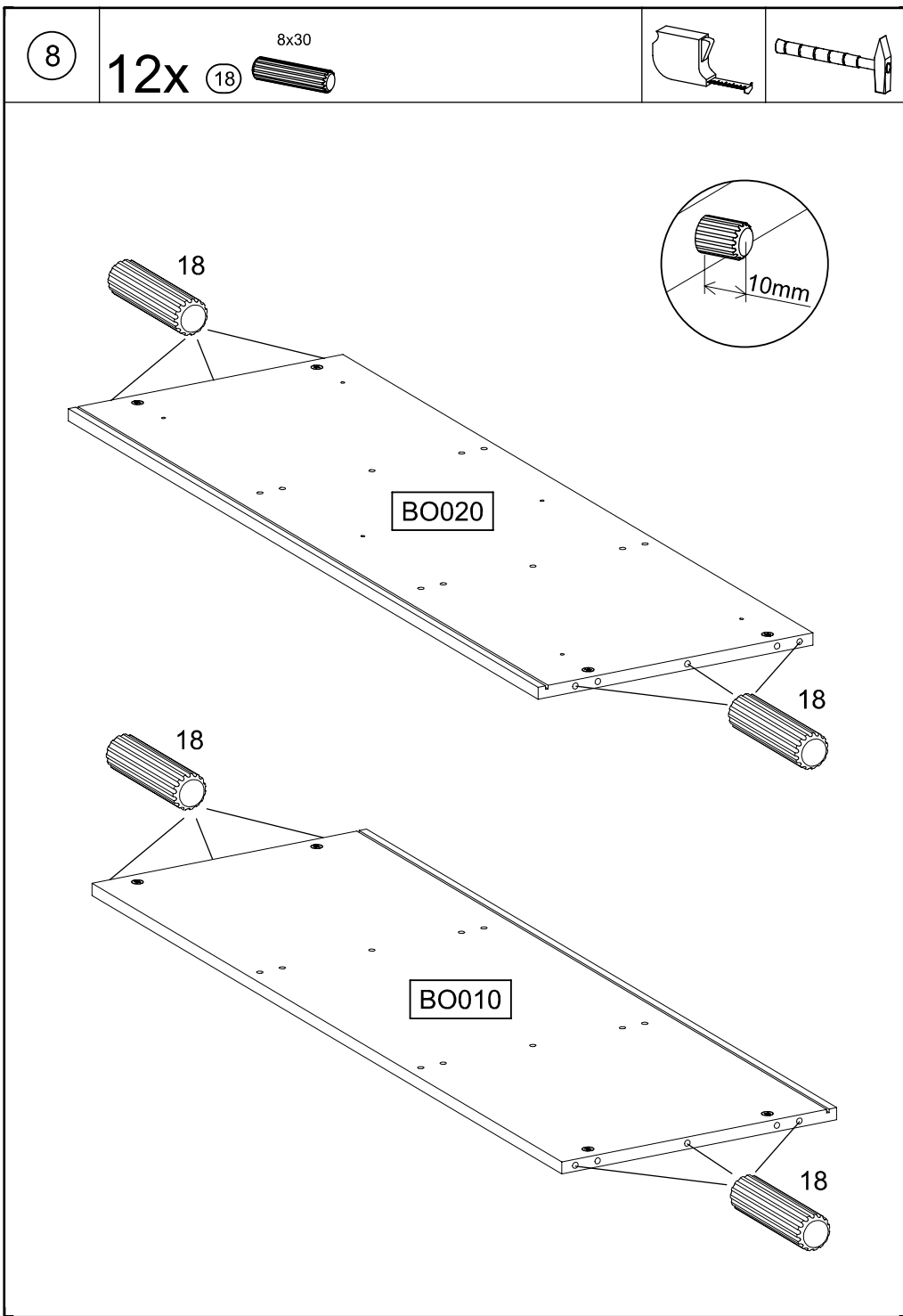




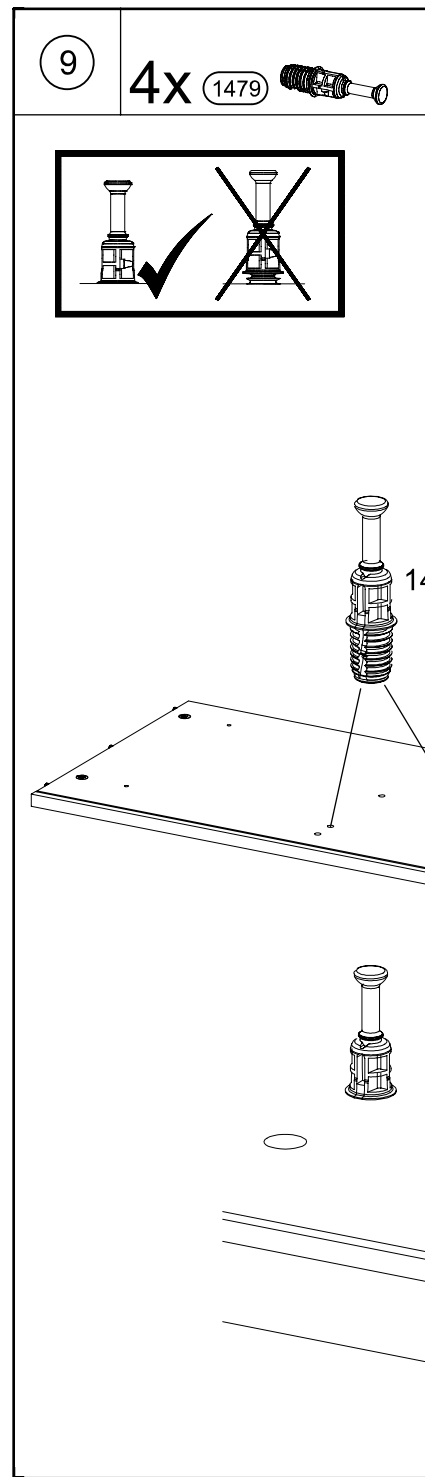


M3100





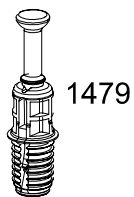
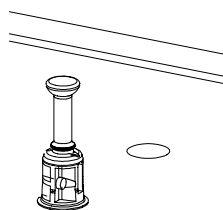
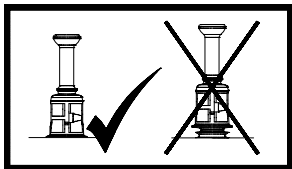
M3100



10

4x

1479

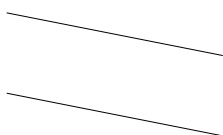
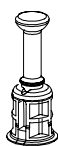


1479



1479

BO010



11

8x

1480

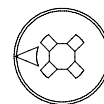
15x16

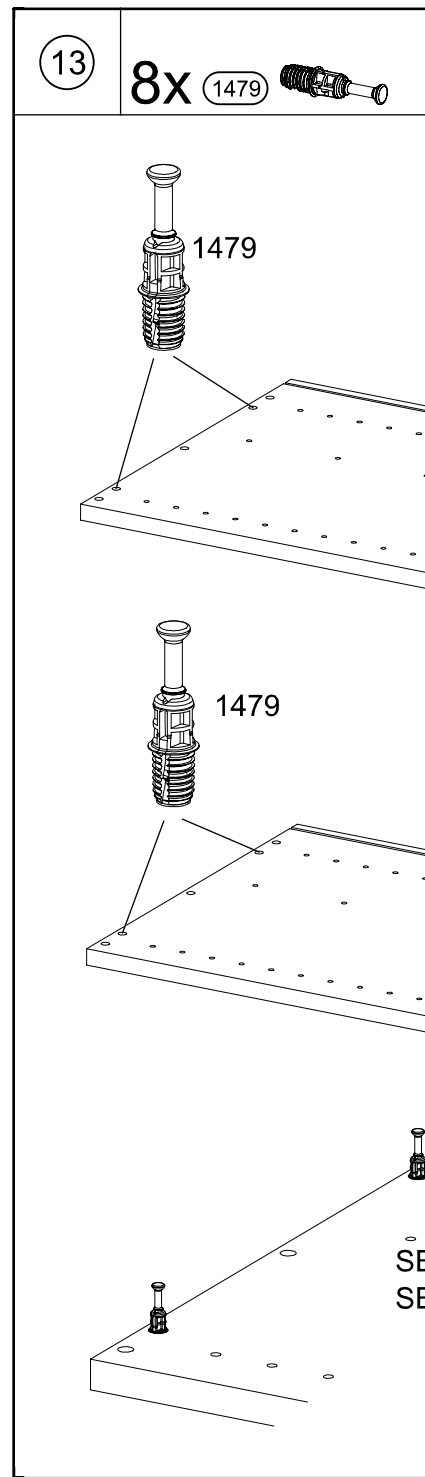
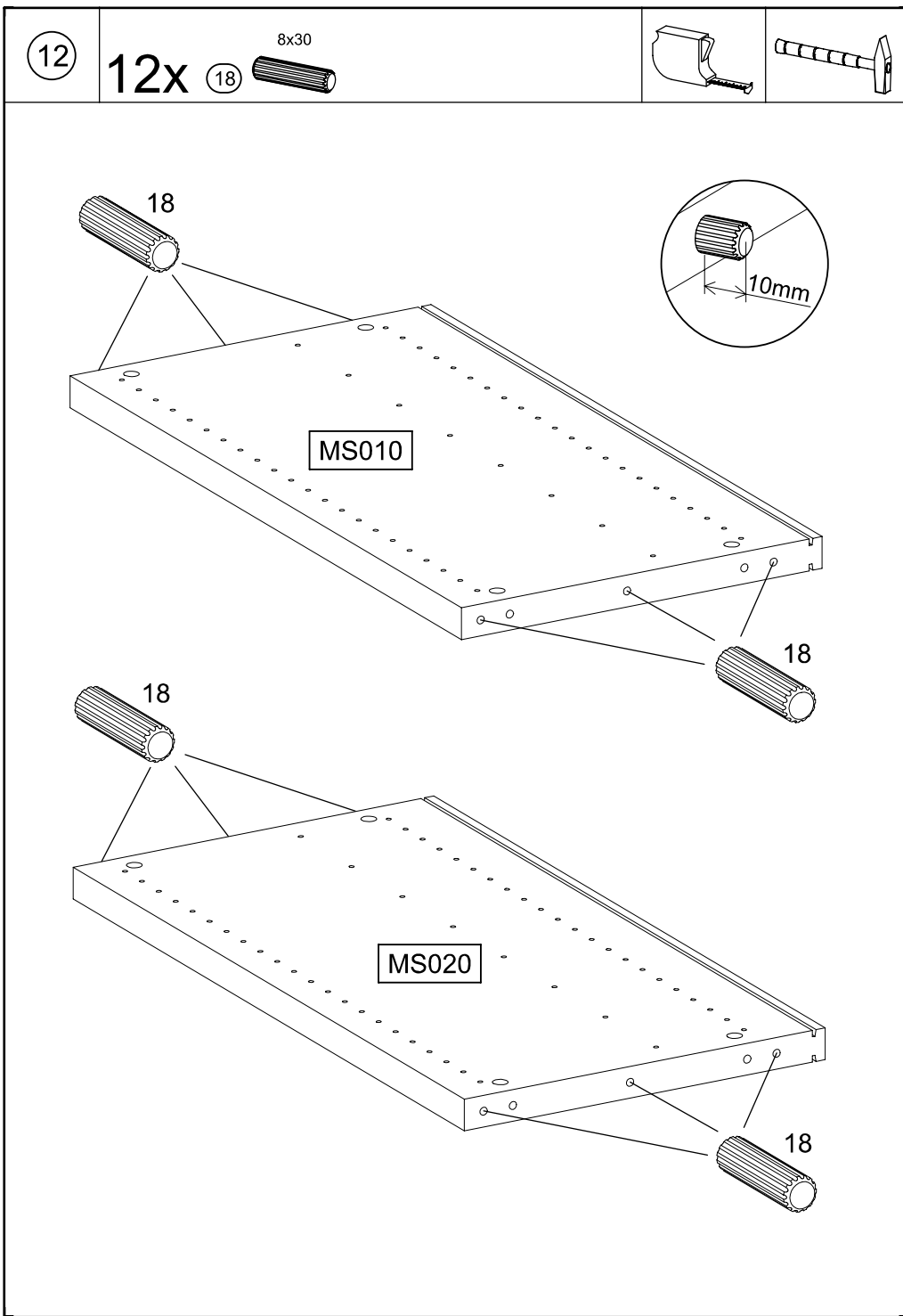


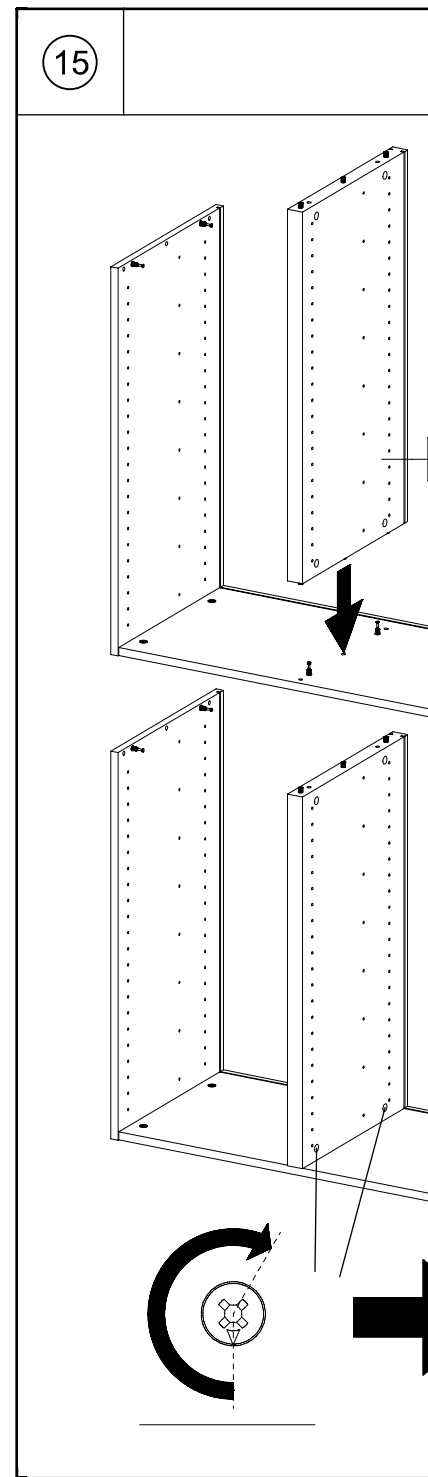
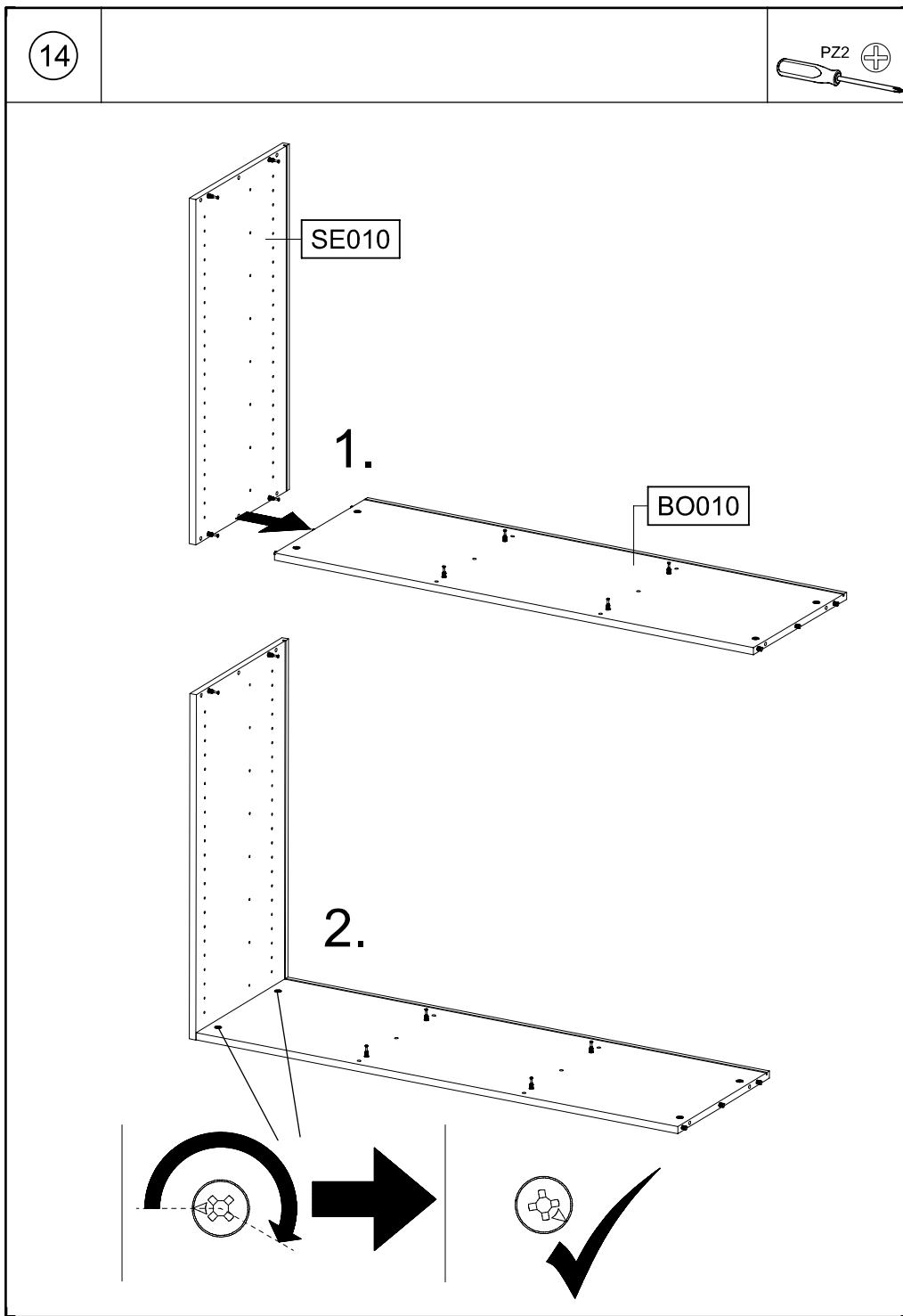
1480



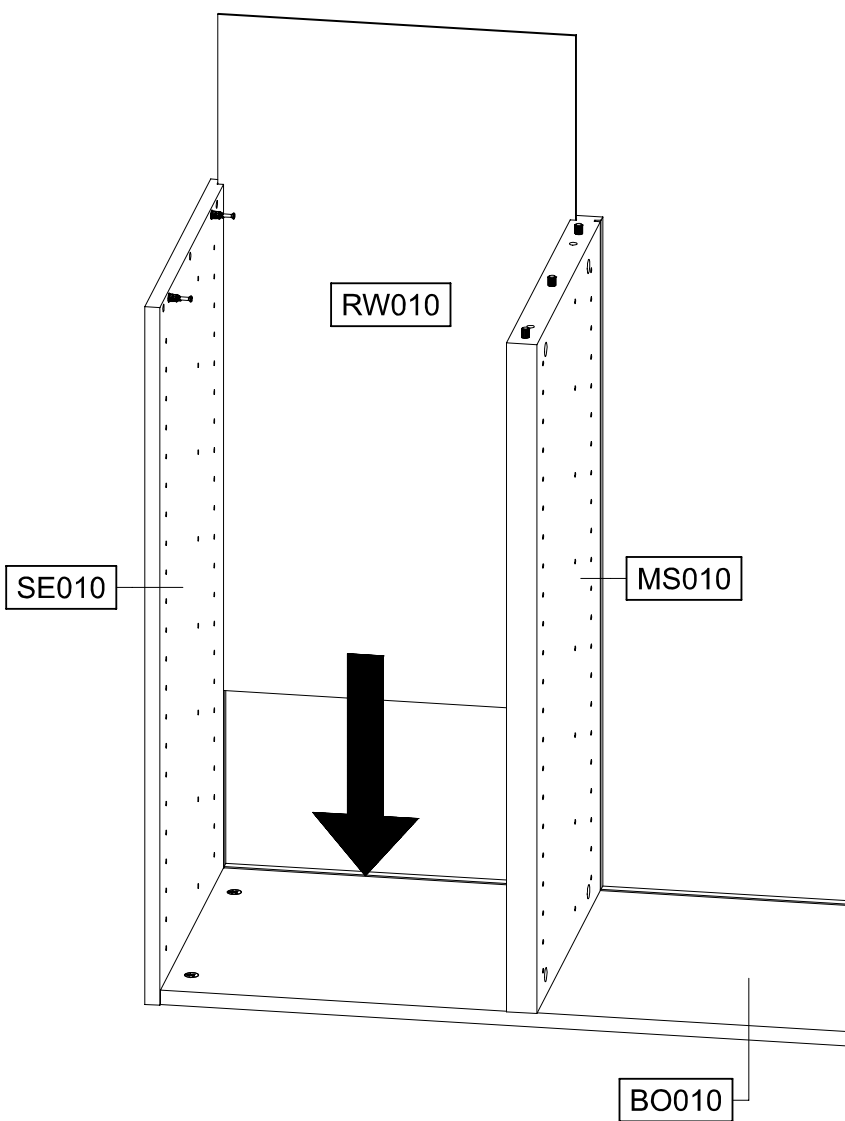
1480





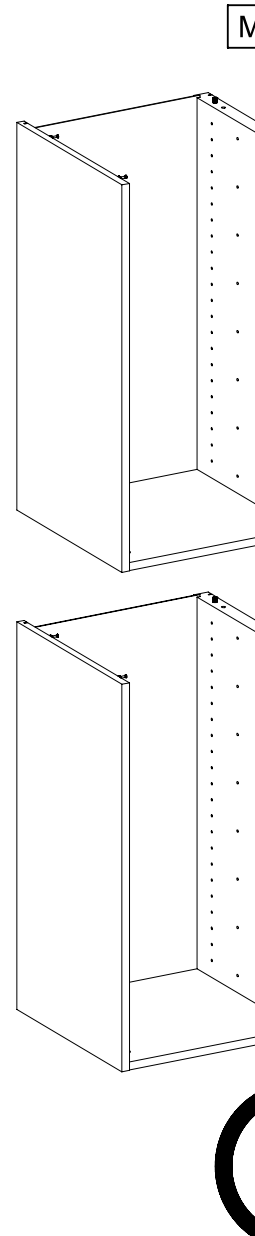


16

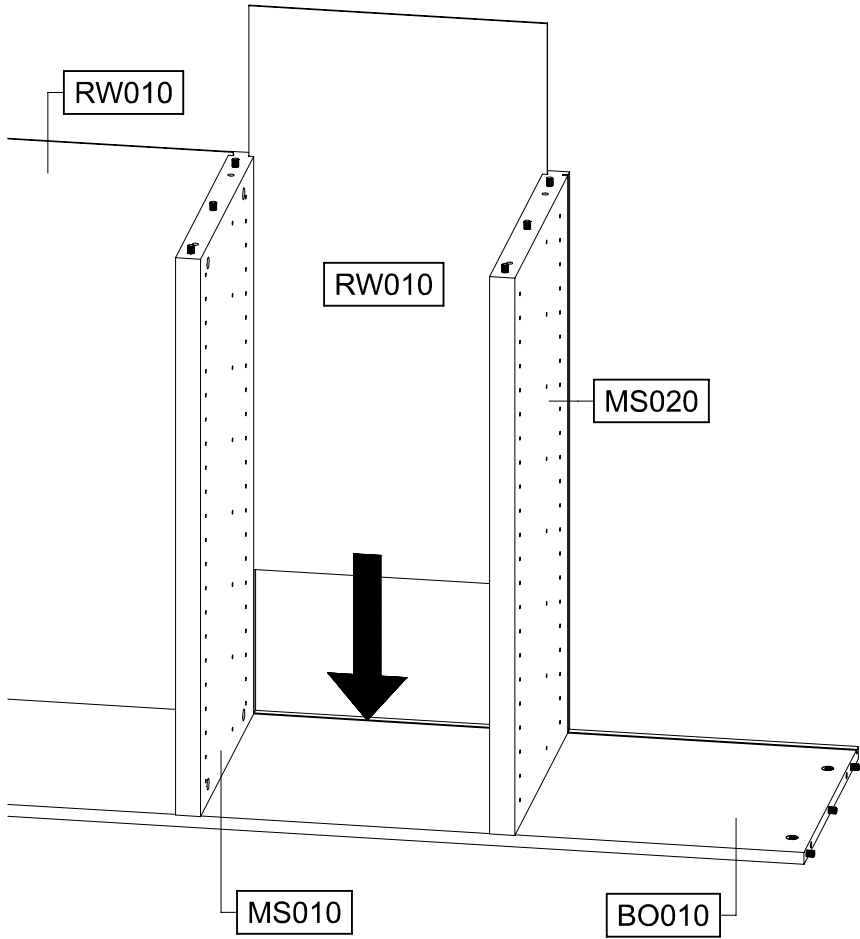


M3100

17

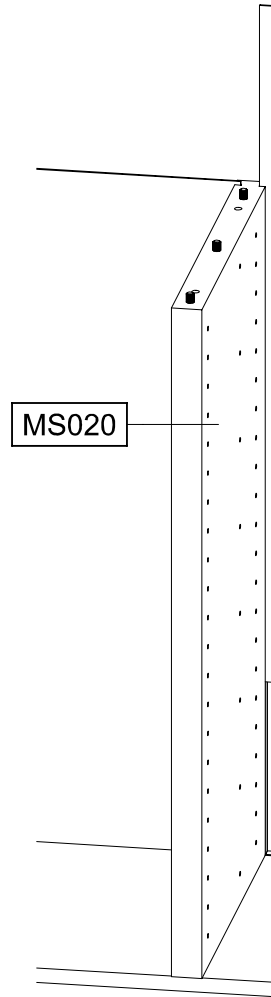


18



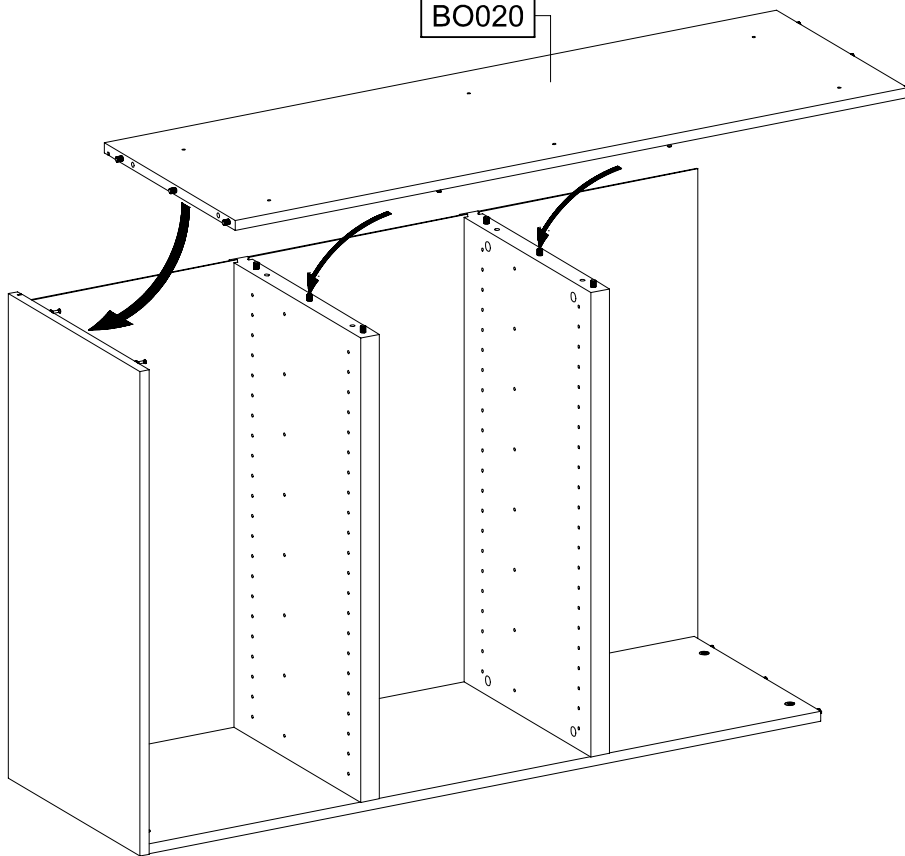
M3100

19



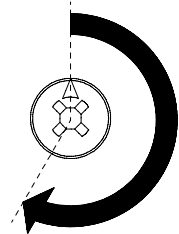
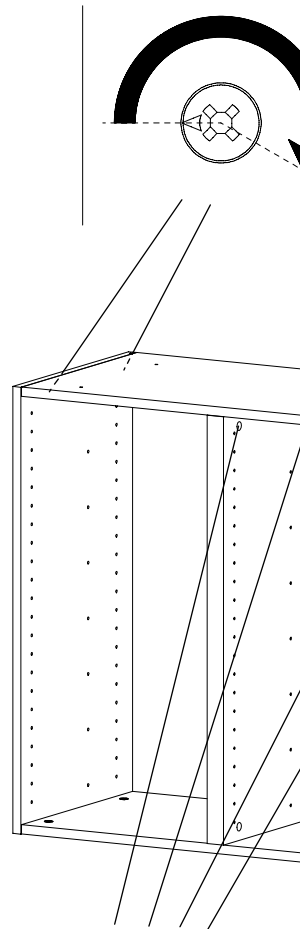
20

BO020

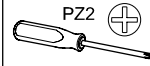


M3100

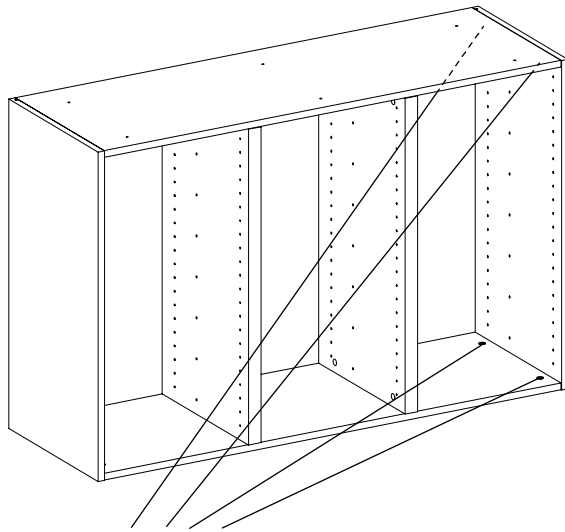
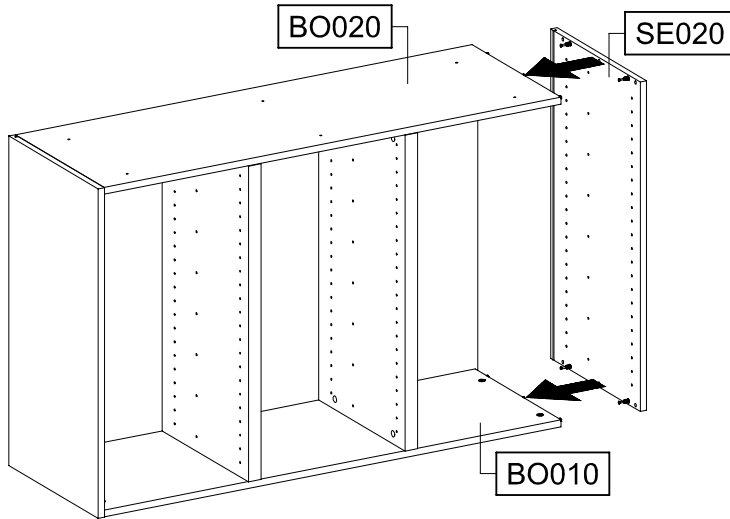
21



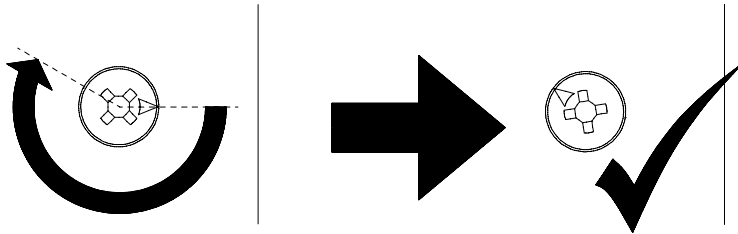
22



1.



2.

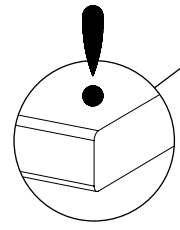


M3100

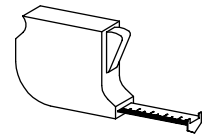
23

8x 240

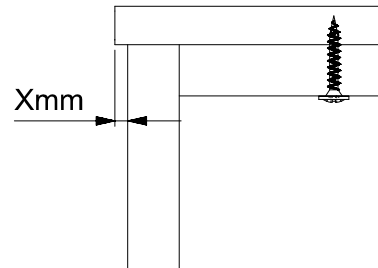
4x25

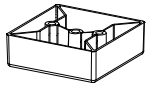


SE010

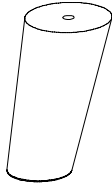


Xmm=Xmm

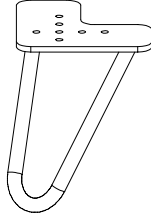




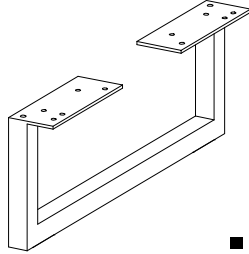
1207



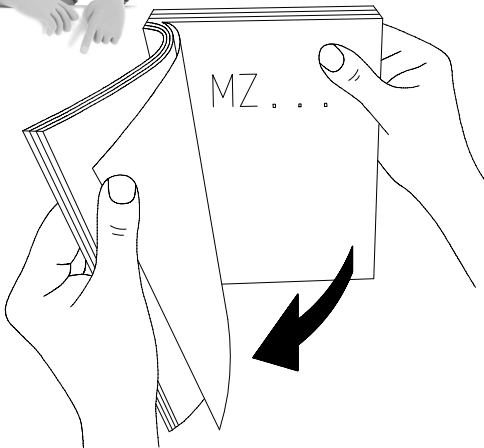
1481



1345

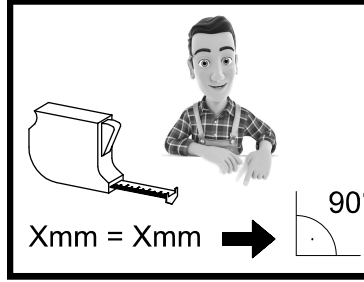


1348

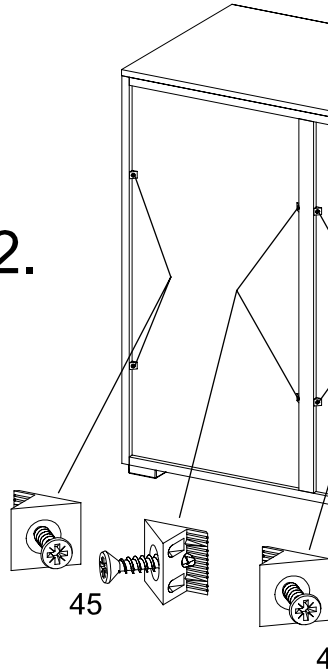


24

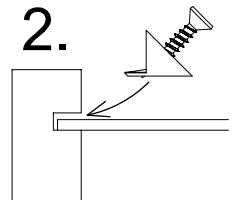
12x45



2.



2.



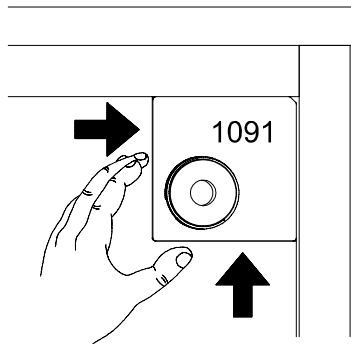
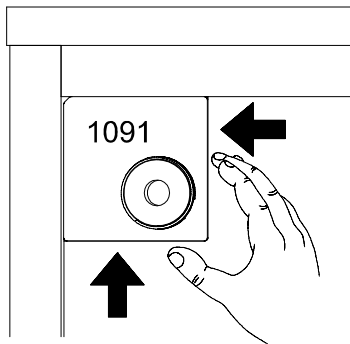
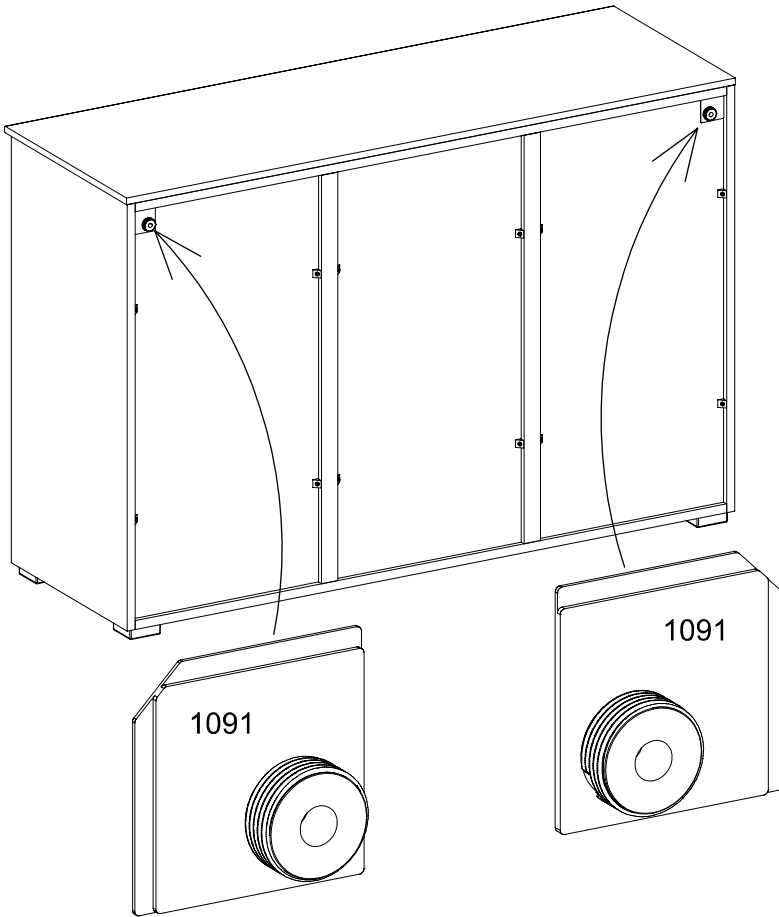
25

2x

1091



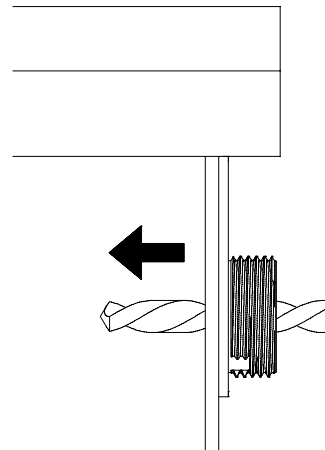
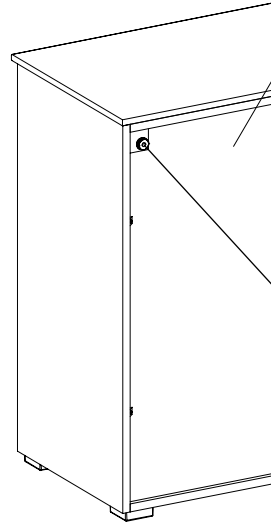
SCAN ME



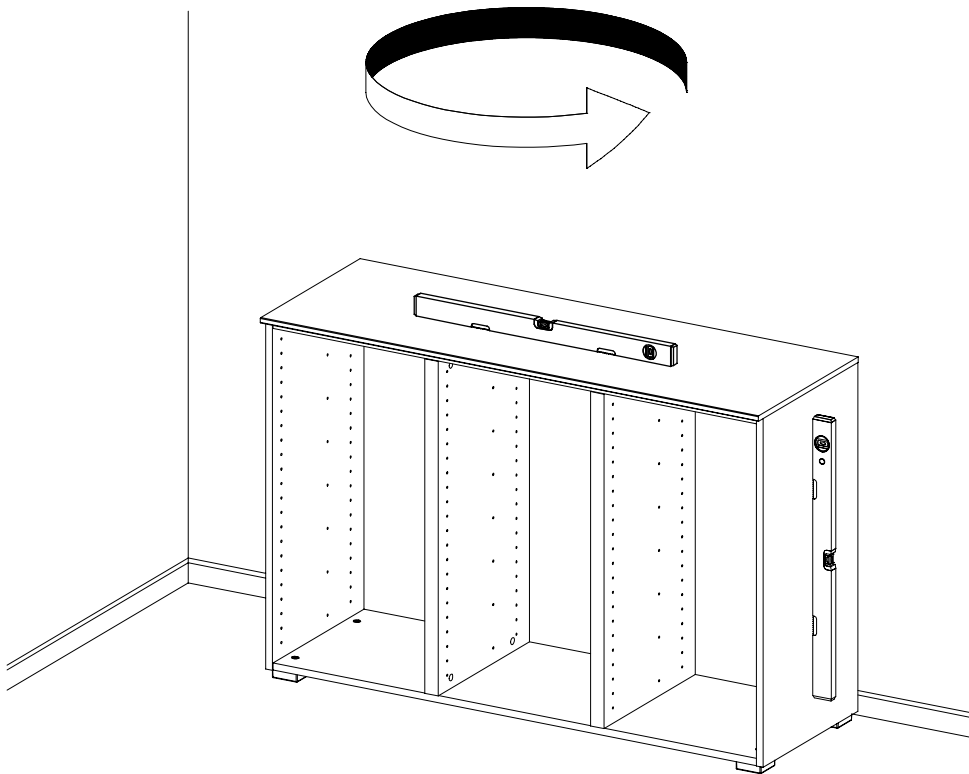
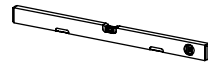
M3100

26

RW01



27

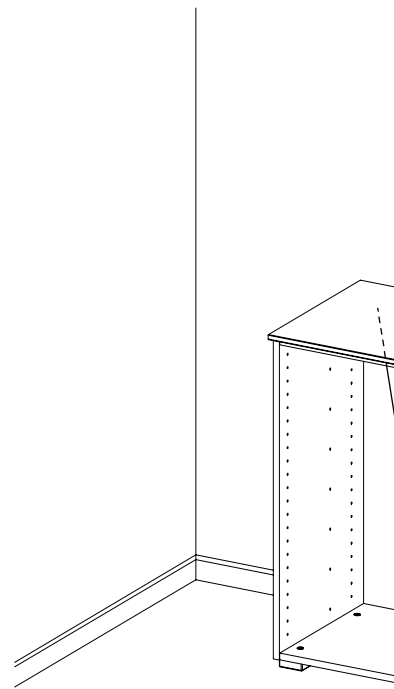


M3100

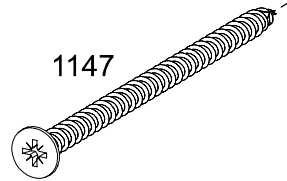
28

2x

1093



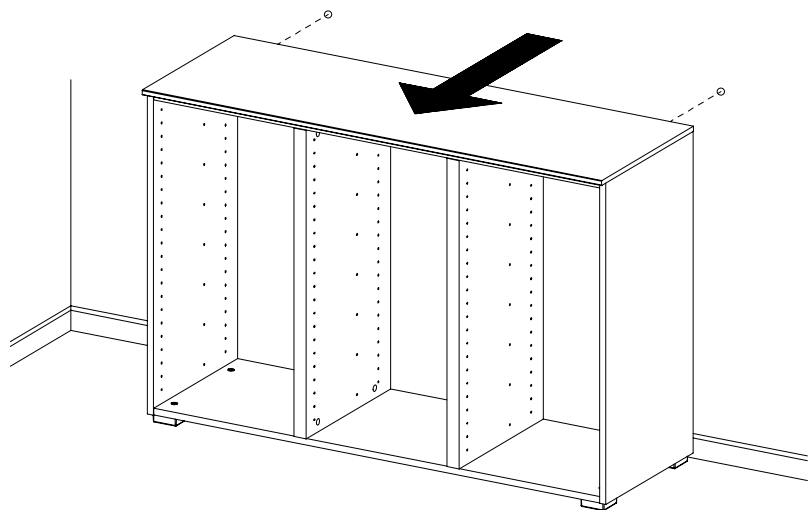
1147



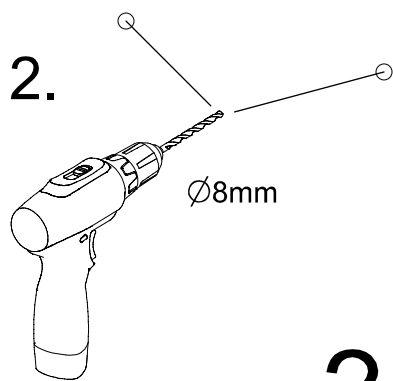
29



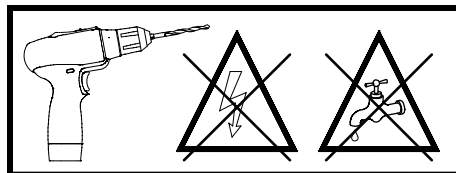
Ø8mm



2.

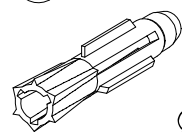
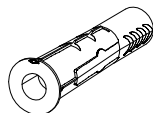
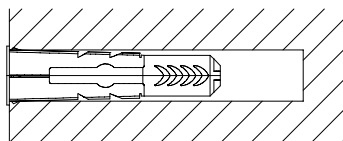


Ø8mm



?

3.



Ø8mm

M3100

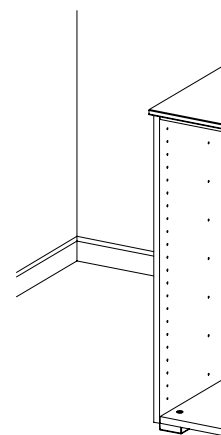
30

2x

1092

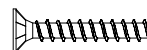


1.

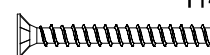


1092

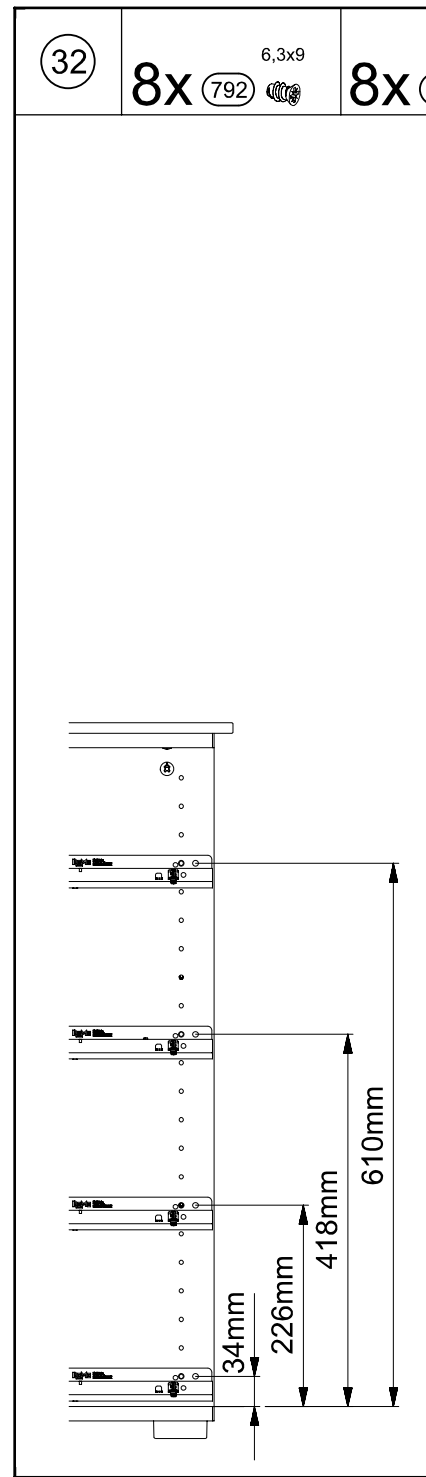
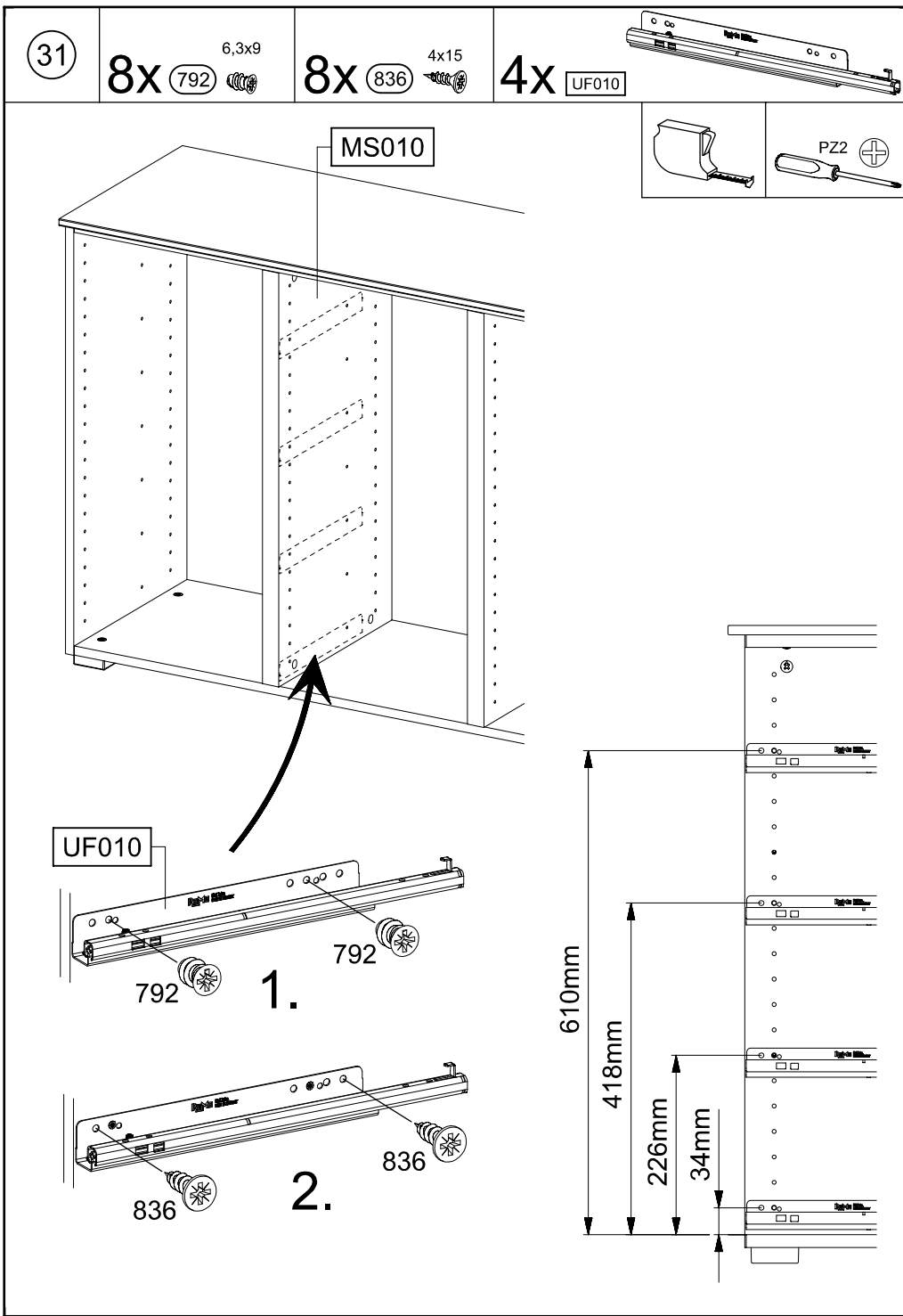
2.



2.



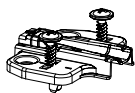
11



33

2x

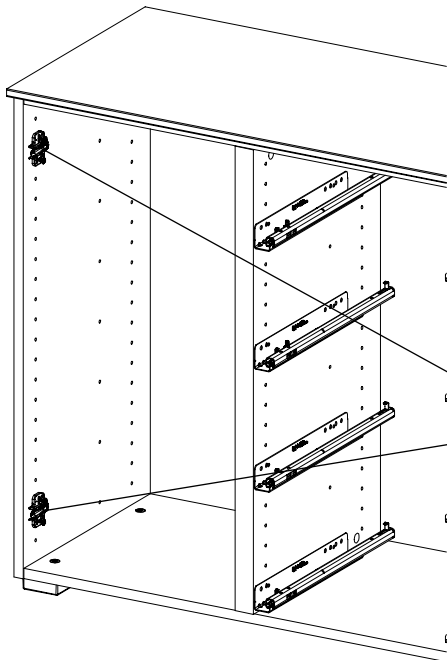
1415



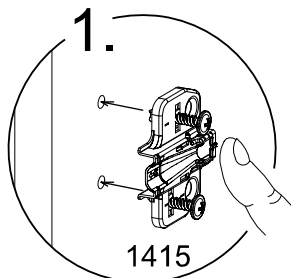
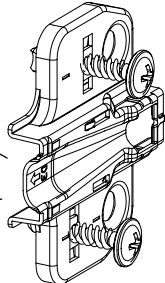
PZ2



SCAN ME

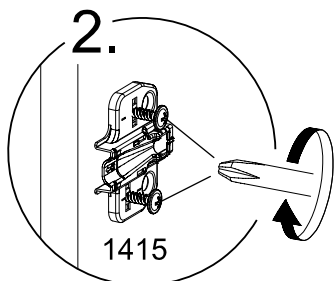


1415



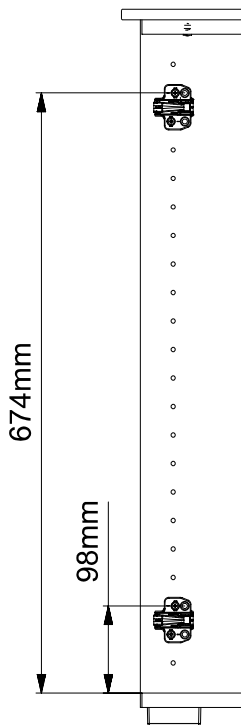
1.

1415



2.

1415



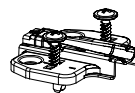
674mm

98mm

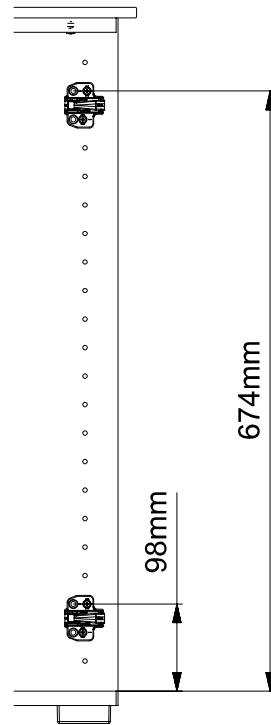
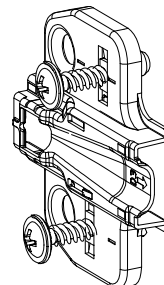
34

2x

1415



1415

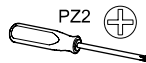


674mm

98mm

35

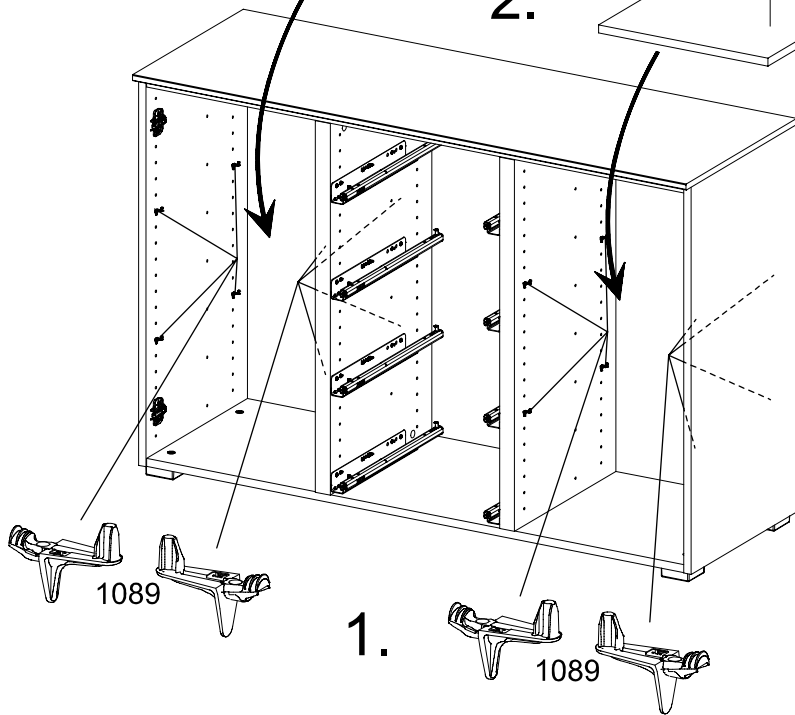
16x 1089



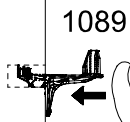
2x WA010

2x WA010

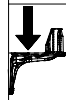
2.



1.



WA010

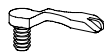


2.



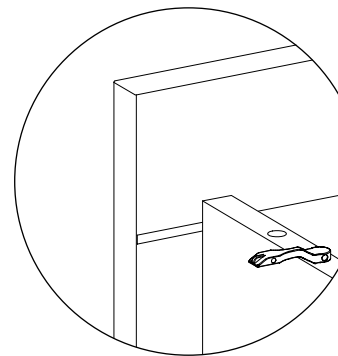
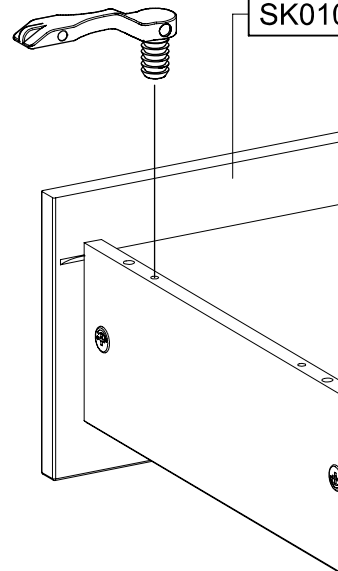
36

8x 852



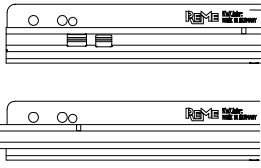
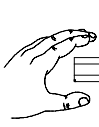
852

SK010



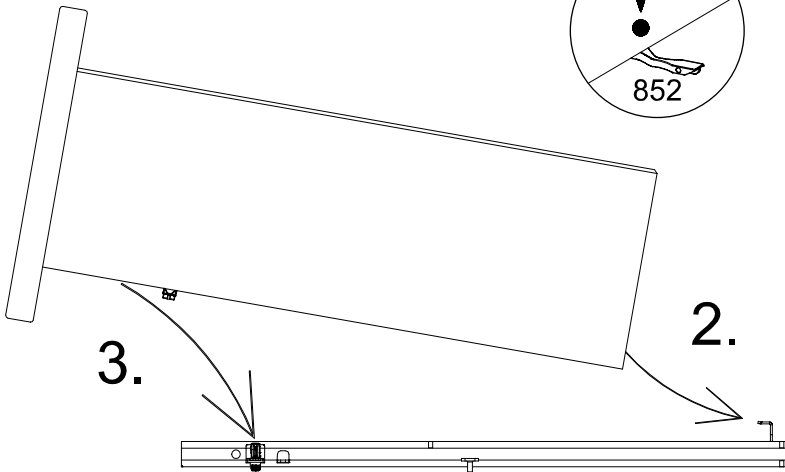
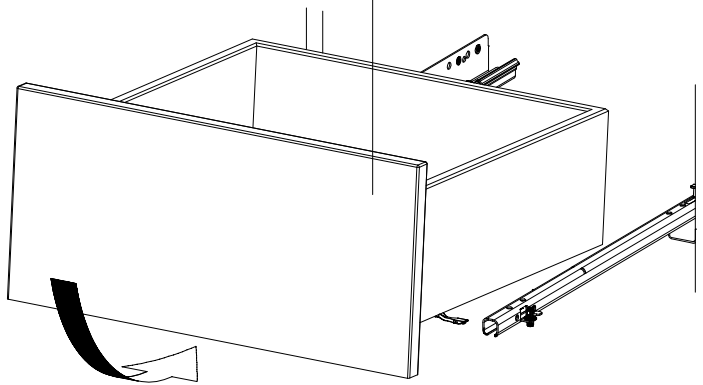
37

1.



UF010
UF020

SK010 ... SK040



M3100

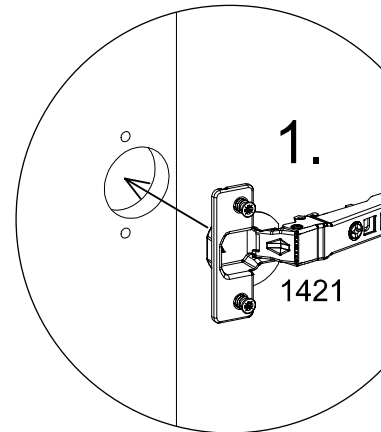
38

4x

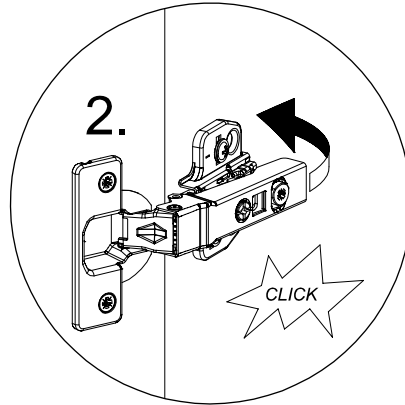
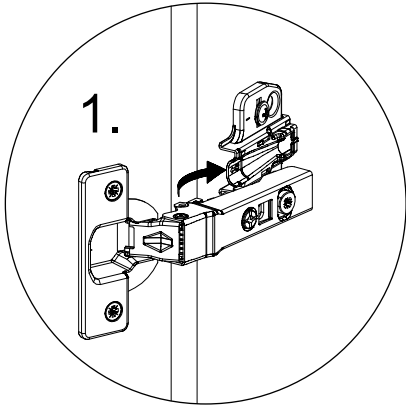
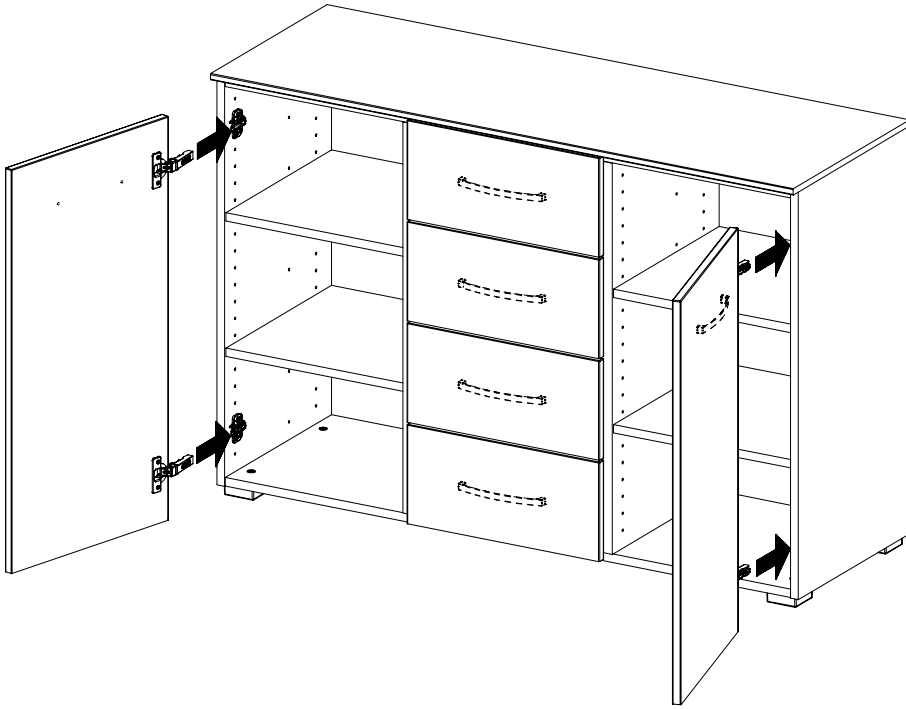
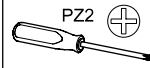
1421



SCAN ME



39

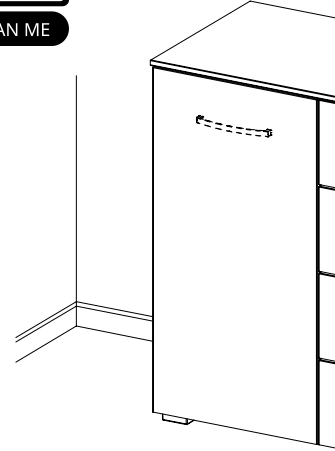


M3100

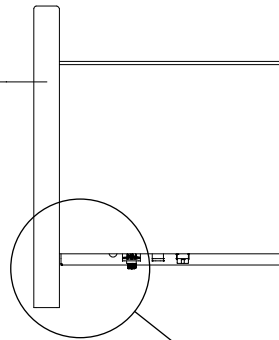
40



SCAN ME

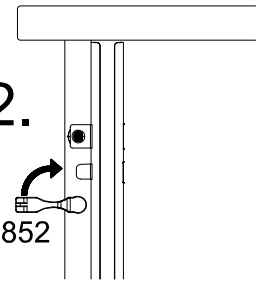


SK010
SK020
SK030
SK040

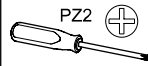


2.

852



41



SCAN ME

