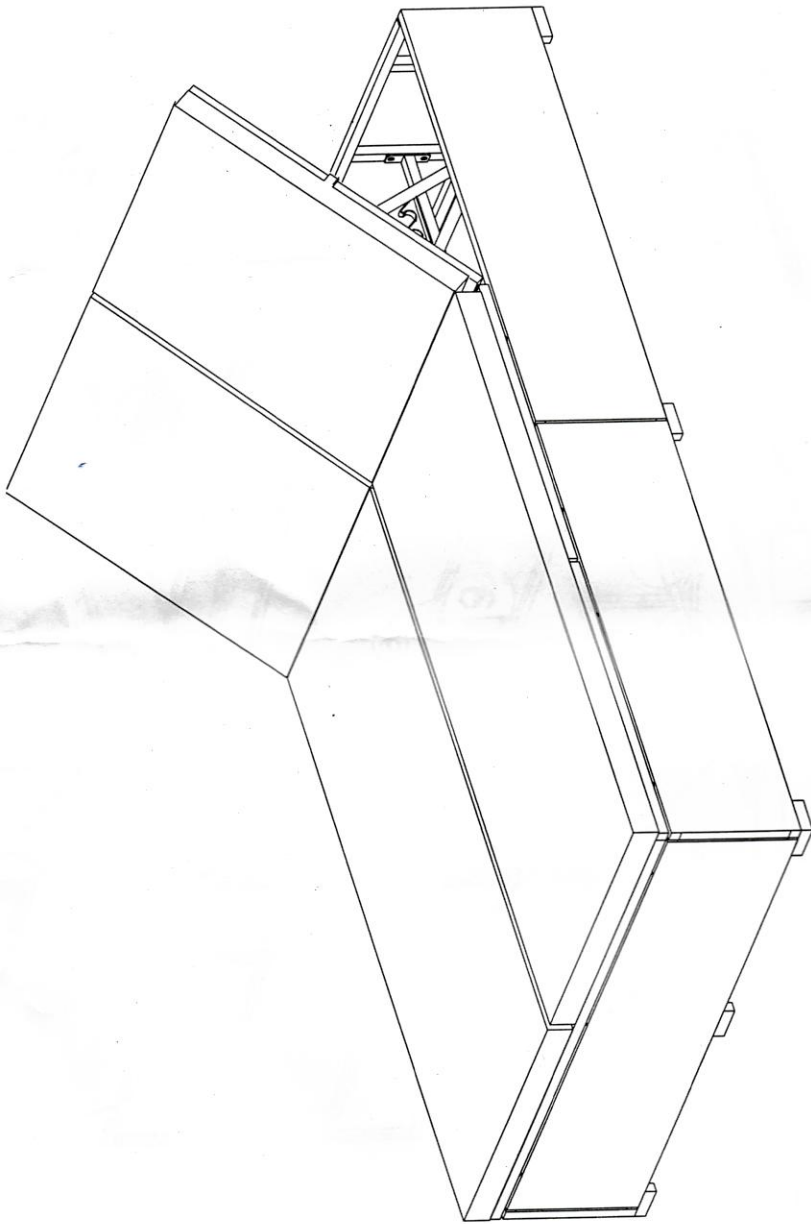
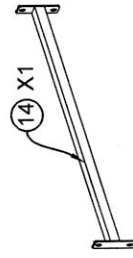
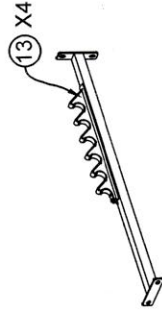
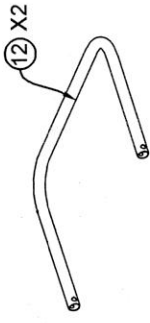
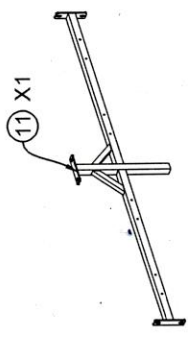
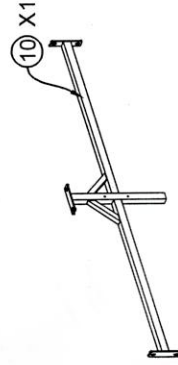
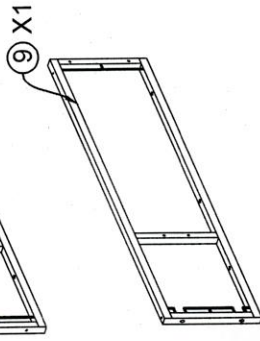
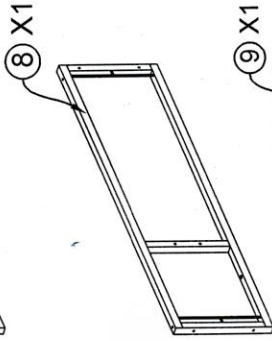
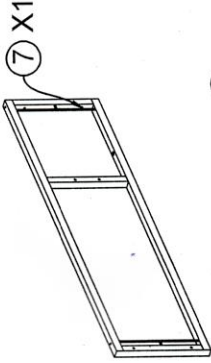
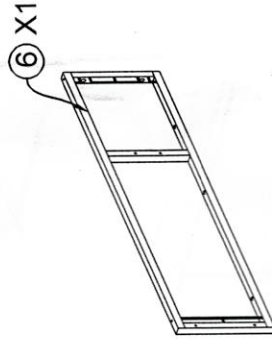
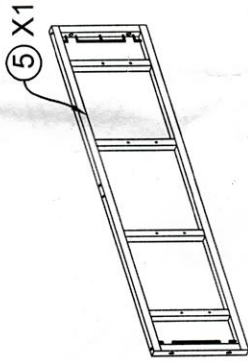
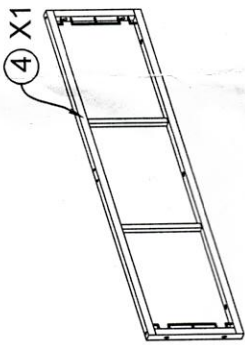
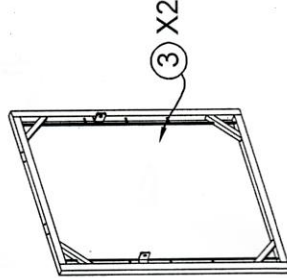
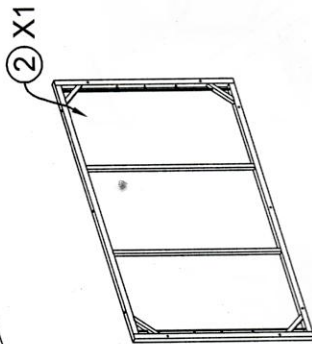
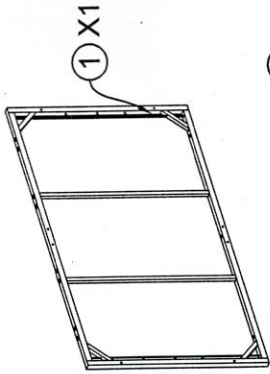


ASSEMBLY INSTRUCTION - 29130014/01



# ASSEMBLY INSTRUCTION - 29130014/01

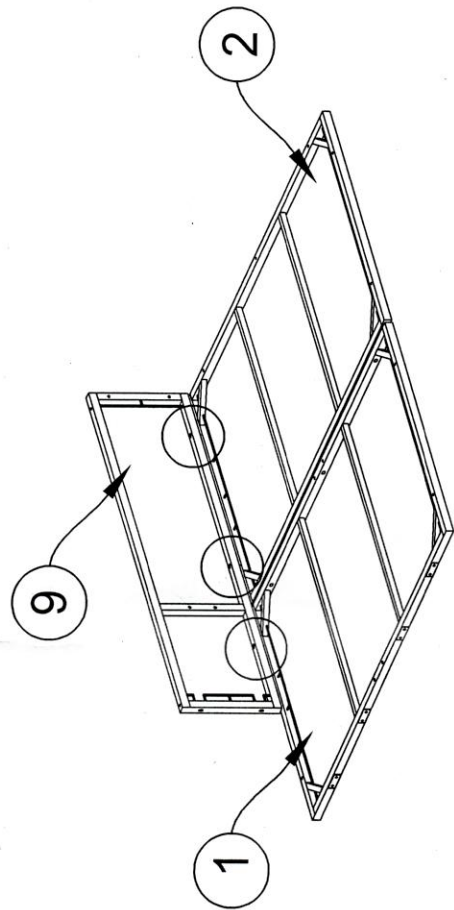
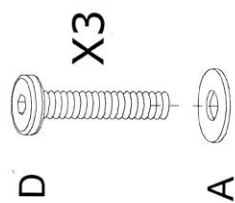
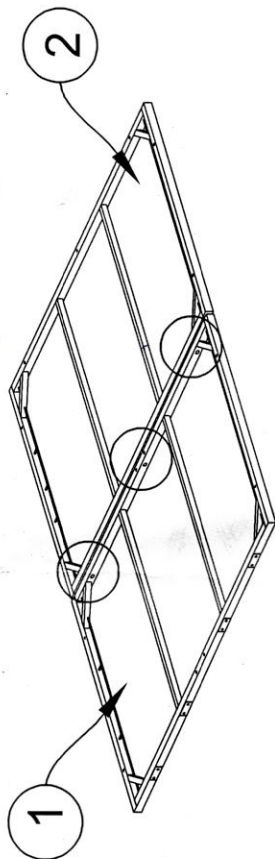
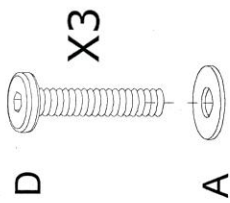
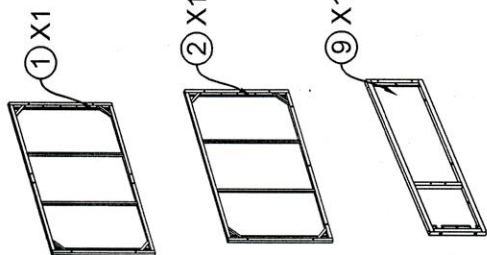


A		x66
B		x40
C		x20

D		x26
F		x4

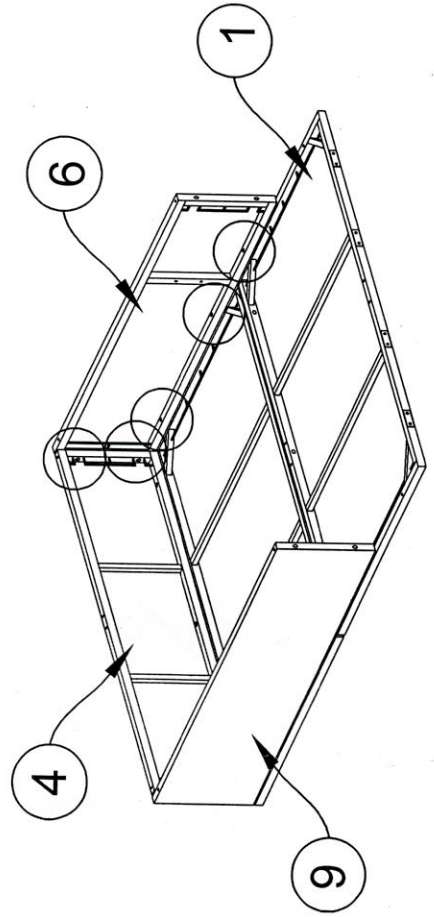
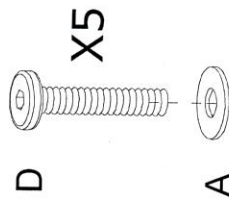
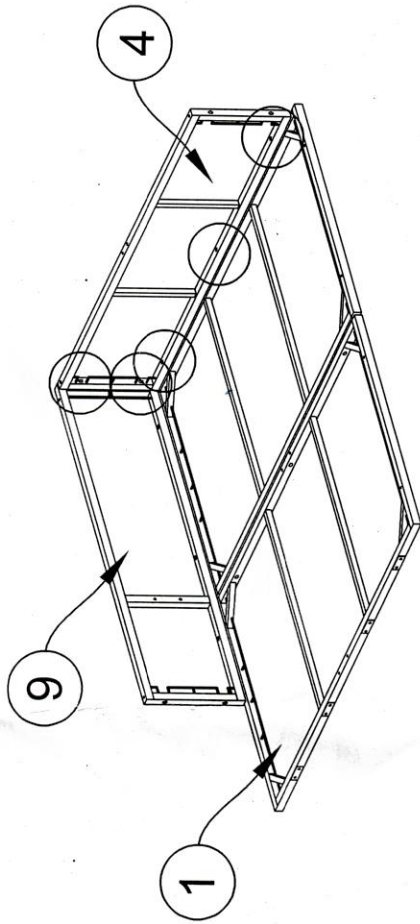
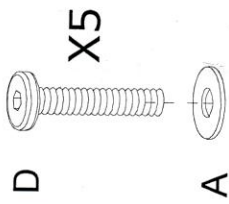
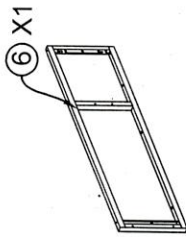
G		x4
		x2

# ASSEMBLY INSTRUCTION - 29130014/01



A		x66
B	M6x20mm	x40
C	M6x35mm	x20
D	M6x40mm	x26
F		x4
G		x4
	4mm	x2

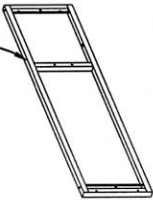
# ASSEMBLY INSTRUCTION - 29130014/01



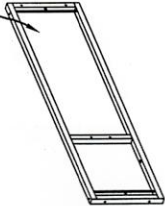
A		x66
B		x40
C		x20
D		x26
F		x4
G		x4
		x2







# ASSEMBLY INSTRUCTION - 29130014/01

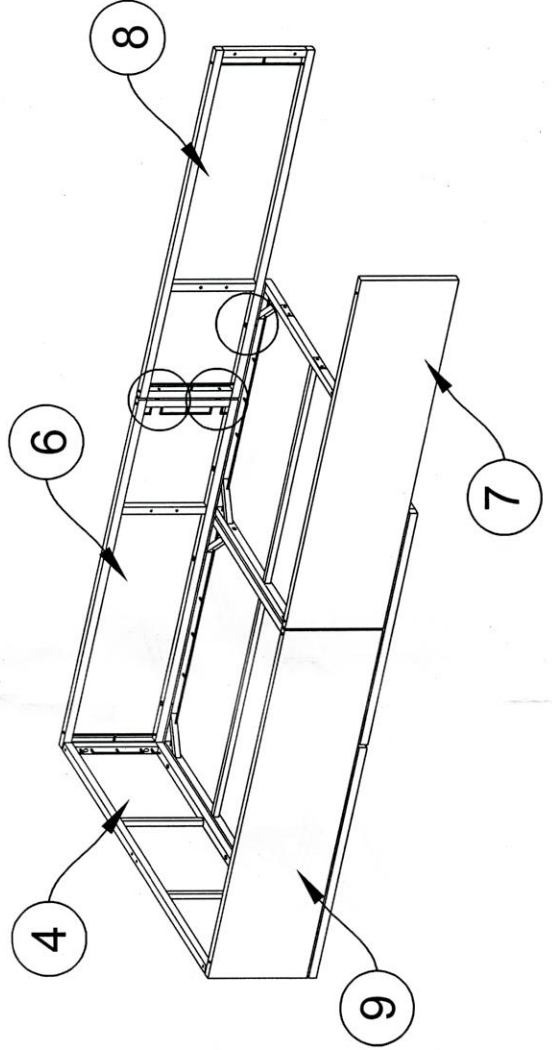
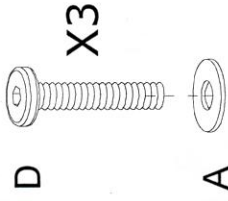
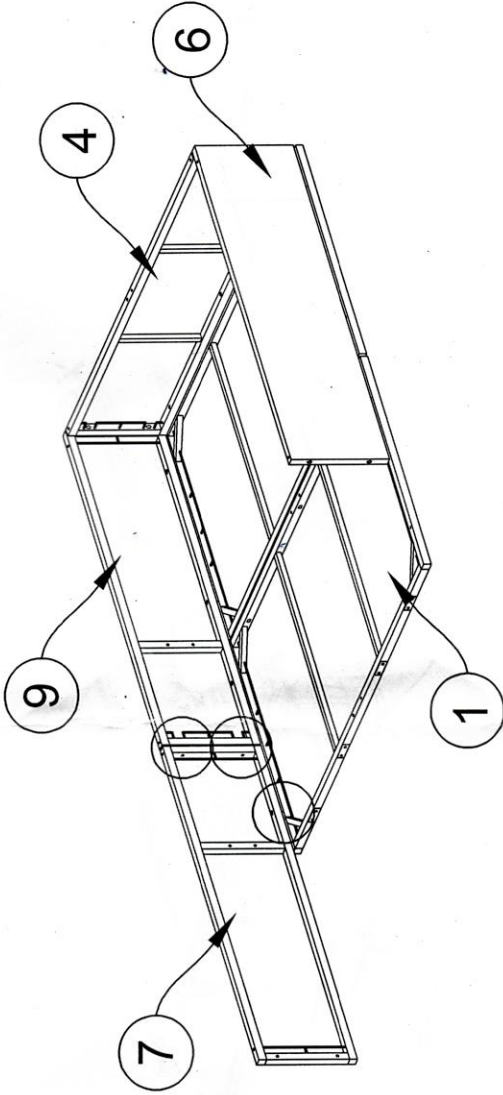
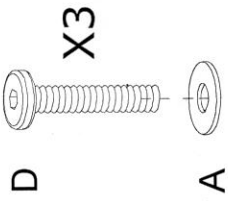
⑦ X1



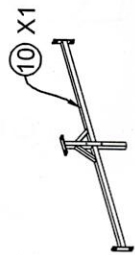
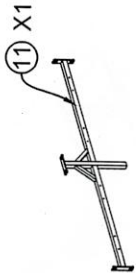
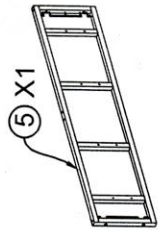
⑧ X1



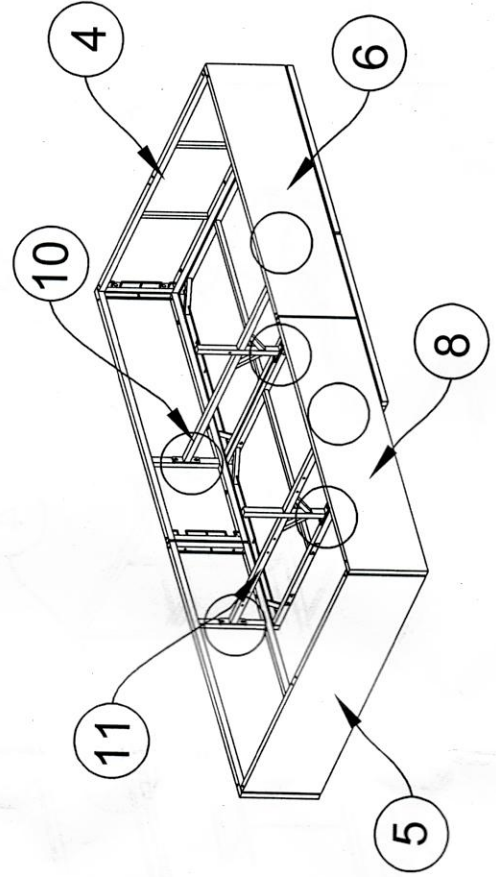
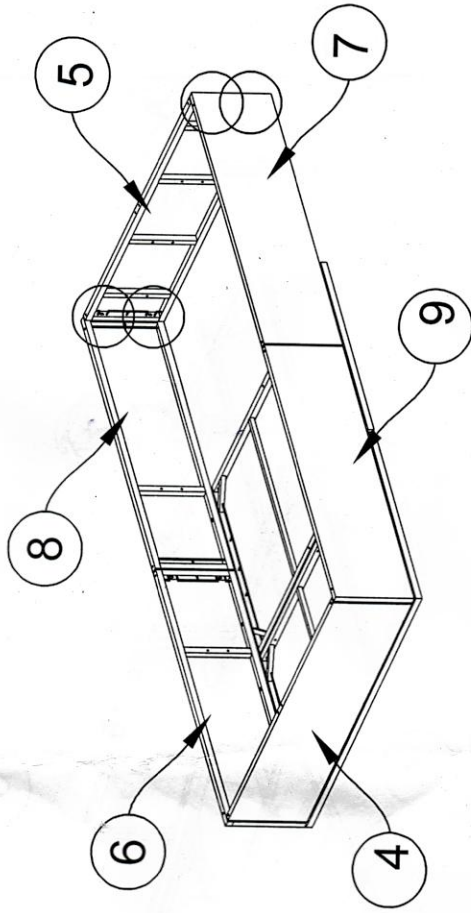
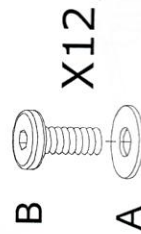
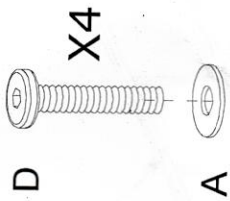
A	⊙	x66
B		x40 M6x20mm
C		x20 M6x35mm
D		x26 M6x40mm
F		x4
G		x4
		x2 4mm



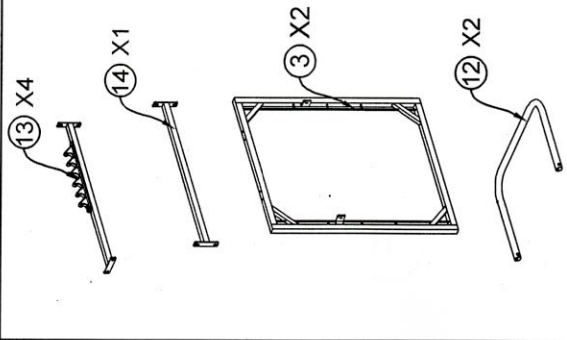
# ASSEMBLY INSTRUCTION - 29130014/01



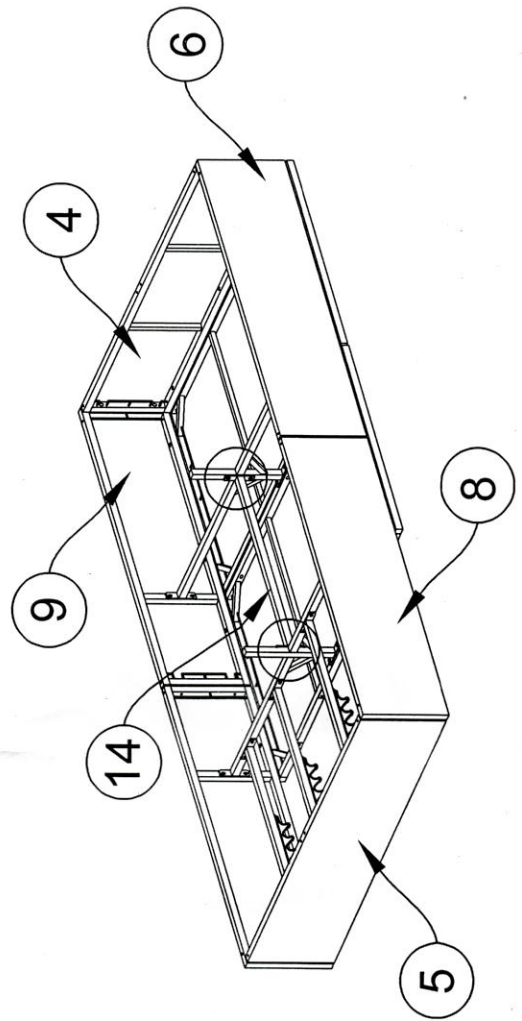
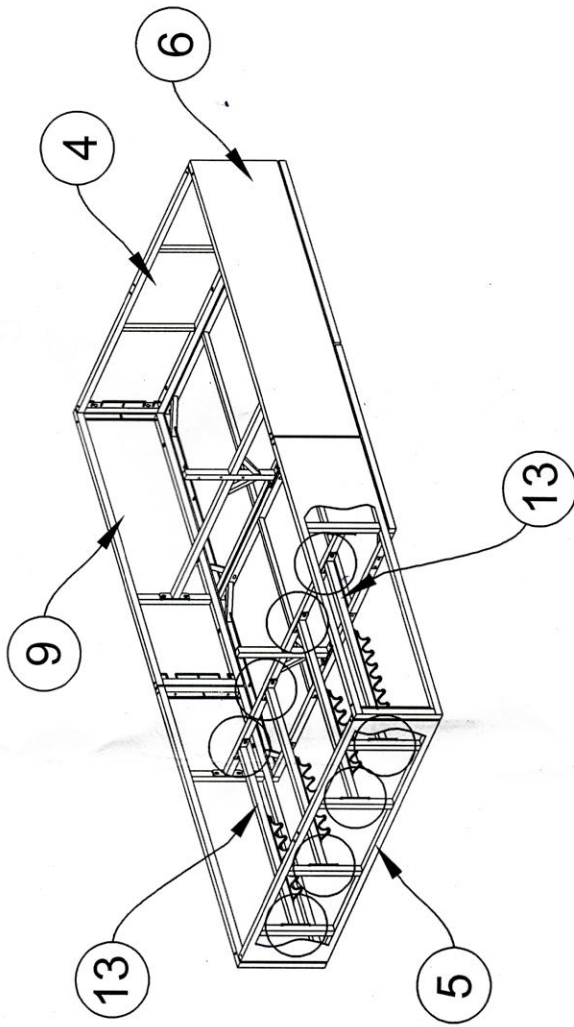
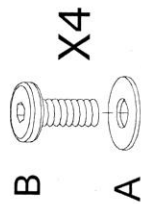
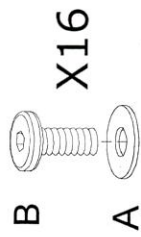
A	⊙	x66
B		x40 M6x20mm
C		x20 M6x35mm
D		x26 M6x40mm
F		x4
G		x4
		x2 4mm



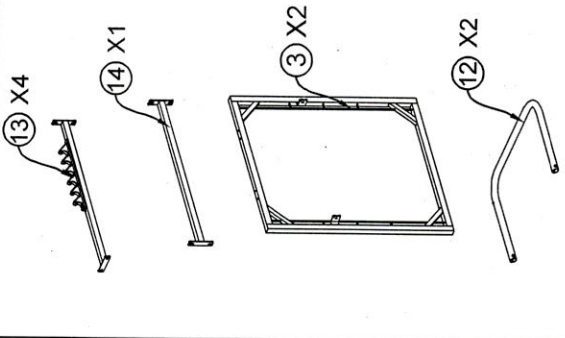
# ASSEMBLY INSTRUCTION - 29130014/01



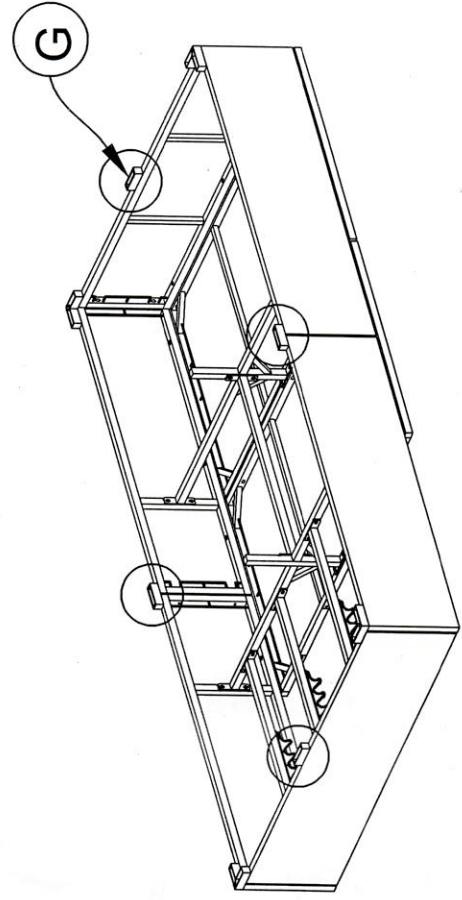
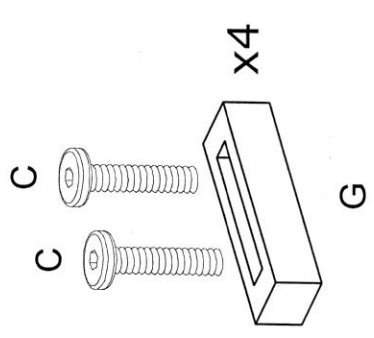
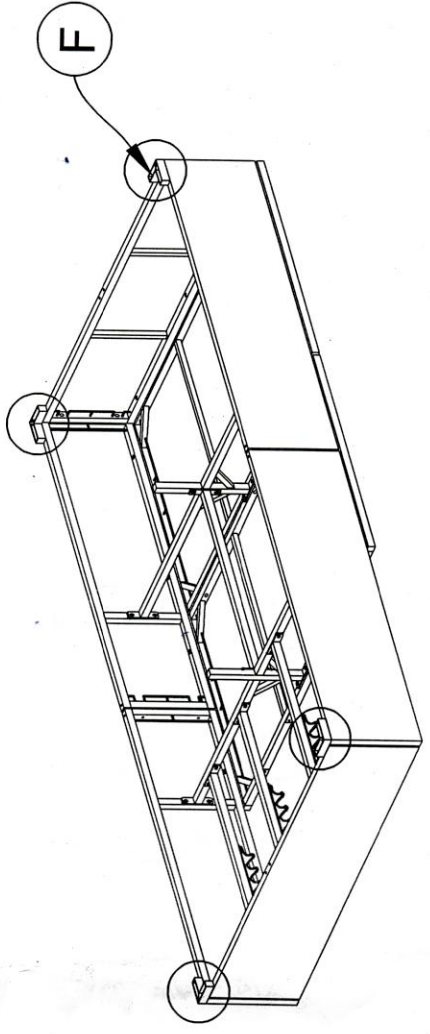
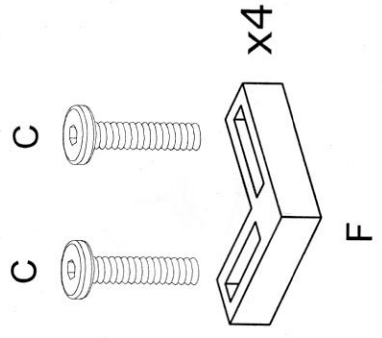
A		x66
B		x40 M6x20mm
C		x20 M6x35mm
D		x26 M6x40mm
F		x4
G		x4
		x2 4mm



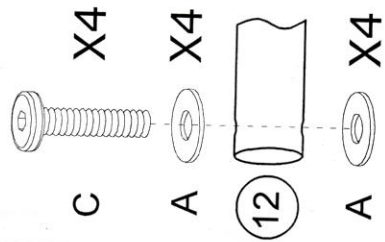
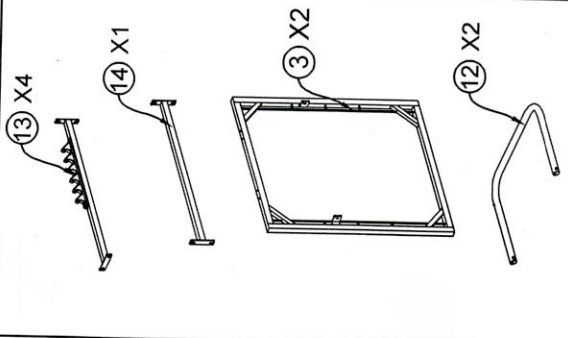
# ASSEMBLY INSTRUCTION - 29130014/01



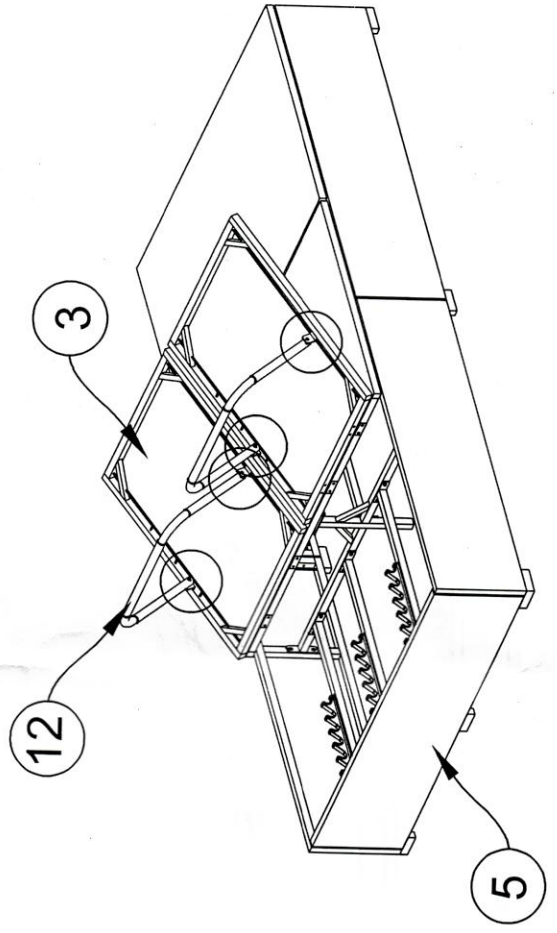
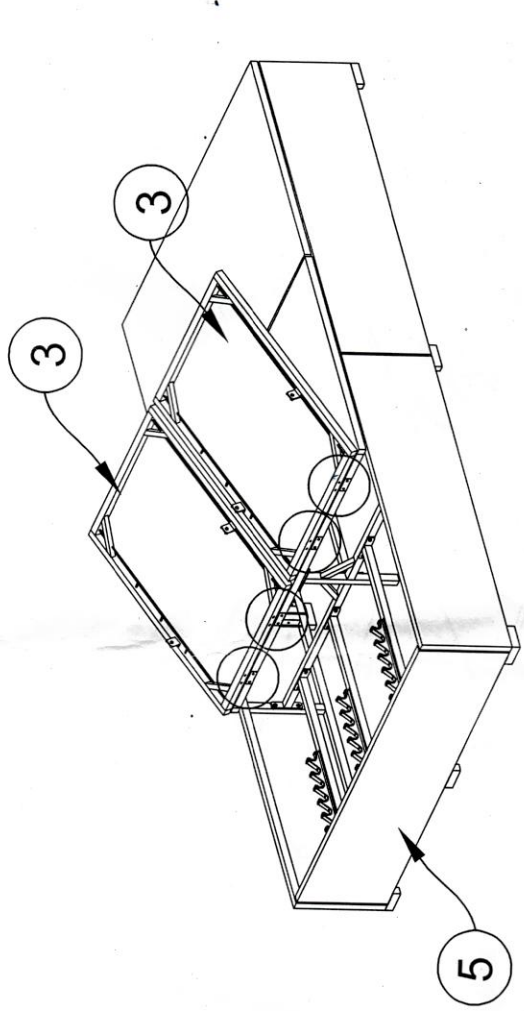
A		x66
B		x40 M6x20mm
C		x20 M6x35mm
D		x26 M6x40mm
F		x4
G		x4
		x2 4mm



# ASSEMBLY INSTRUCTION - 29130014/01



A		X66
B		X40
C		X20
D		X26
E		X2
F		X4
G		X4
		X2



ASSEMBLY INSTRUCTION - 29130014/01

