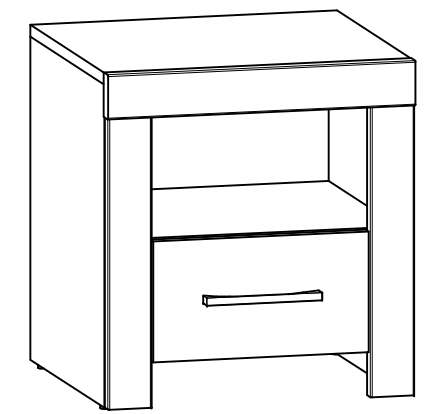
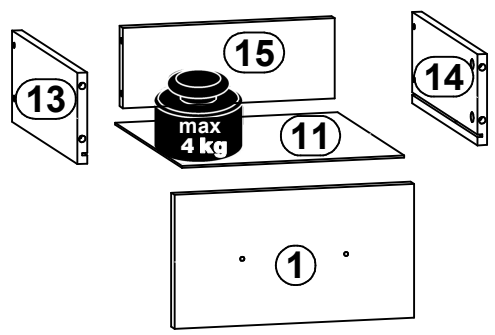
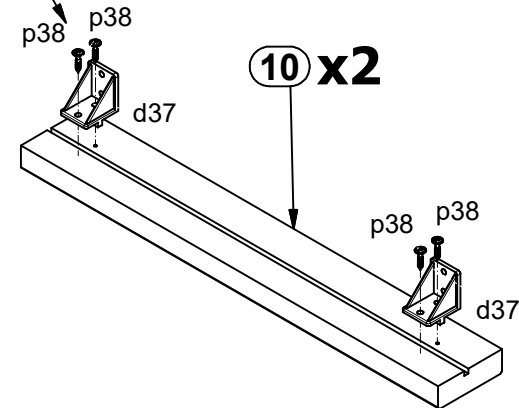
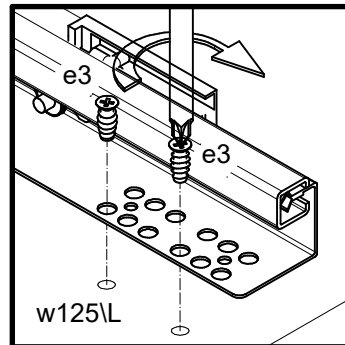
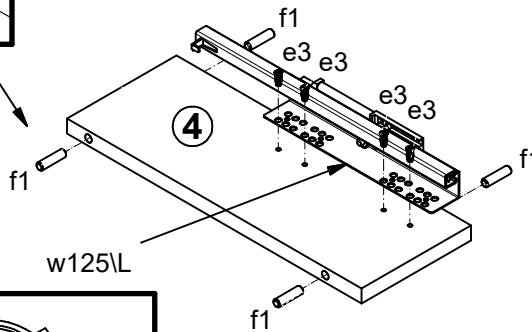
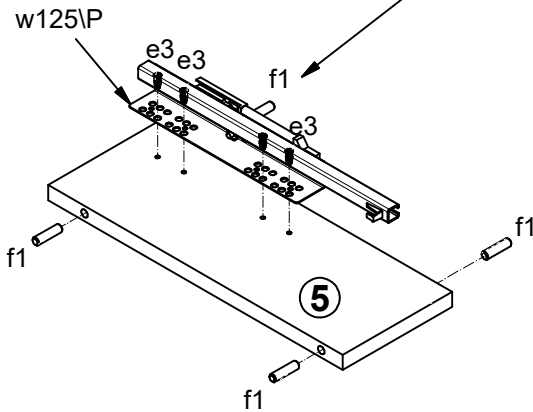
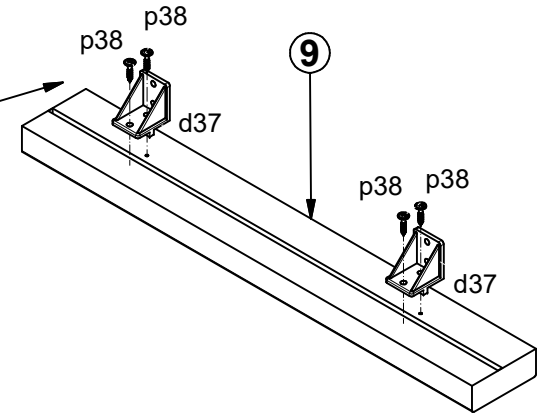
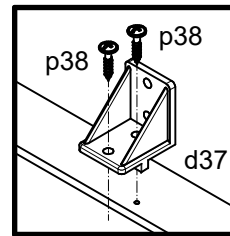
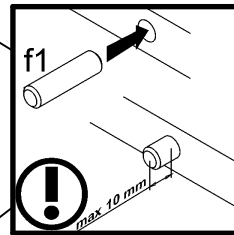
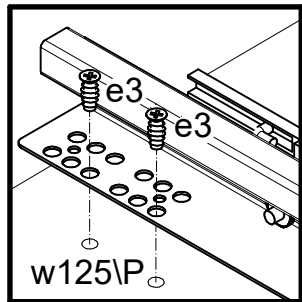
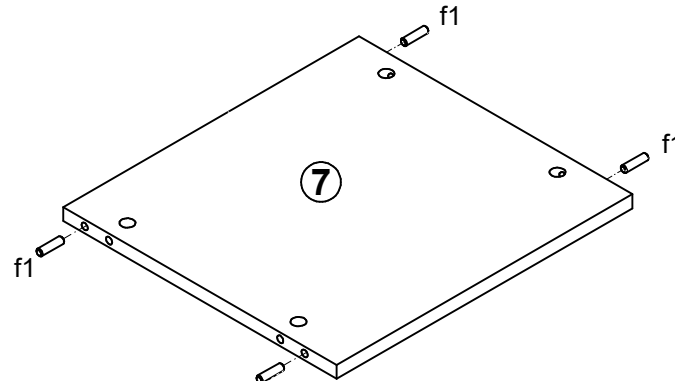
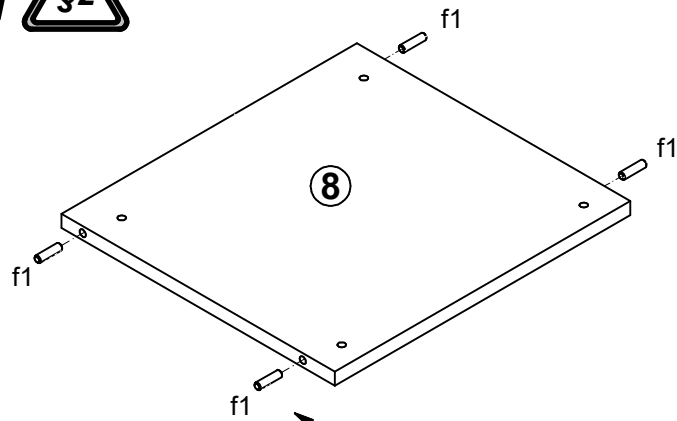


A	B	C (mm)			D
1	S476-0001	295	162	16	1/1
2	S476-1001	434	378	16	1/1
3	S476-1002	434	378	16	1/1
4	S476-1003	133	358	16	1/1
5	S476-1004	133	358	16	1/1
6	S476-2001	420	378	16	1/1
7	S476-3001	387	358	16	1/1
8	S476-3003	387	358	16	1/1
9	S476-5001	421	60	22	1/1
10	S476-5002	390	60	19	1/1
11	S476-9001	274	307	2,5	1/1
12	S476-9002	376	397	2,5	1/1
13	ZQ6-517	300	110	12	1/1
14	ZQ6-518	300	110	12	1/1
15	ZQ6-5178	261	97	15	1/1

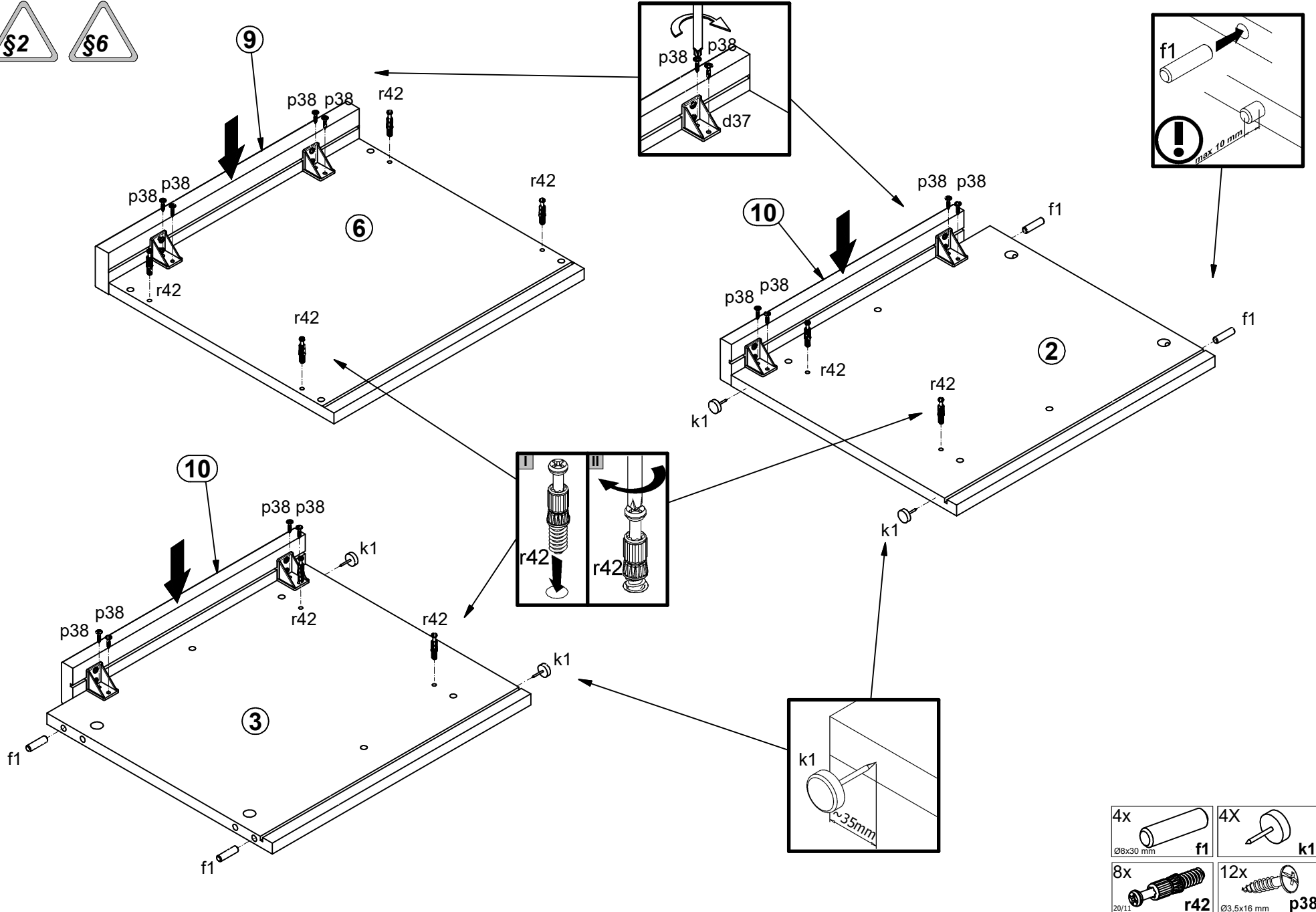


1x L=158 c347	6x d37	8x Ø6x13 mm e3	20x Ø8x30 mm f1	4x Ø6,5x40 mm f25	2x M4x22 mm j30	4x k1	3x l2	30x Ø3,5x16 mm p38	2x Ø2,9x16 mm p55	8x Ø15x12 mm #16 r1	4x Ø12x10,5 mm #12 r15	12x 20/11 r42
1x 300mm w125L	1x 300mm w125P	4x Ø16 s2							1x 86x21x15/1,5 n142	2x Ø3,5x16 mm p38	1x Ø10x50 mm f35	1x Ø5x60 mm p17

1

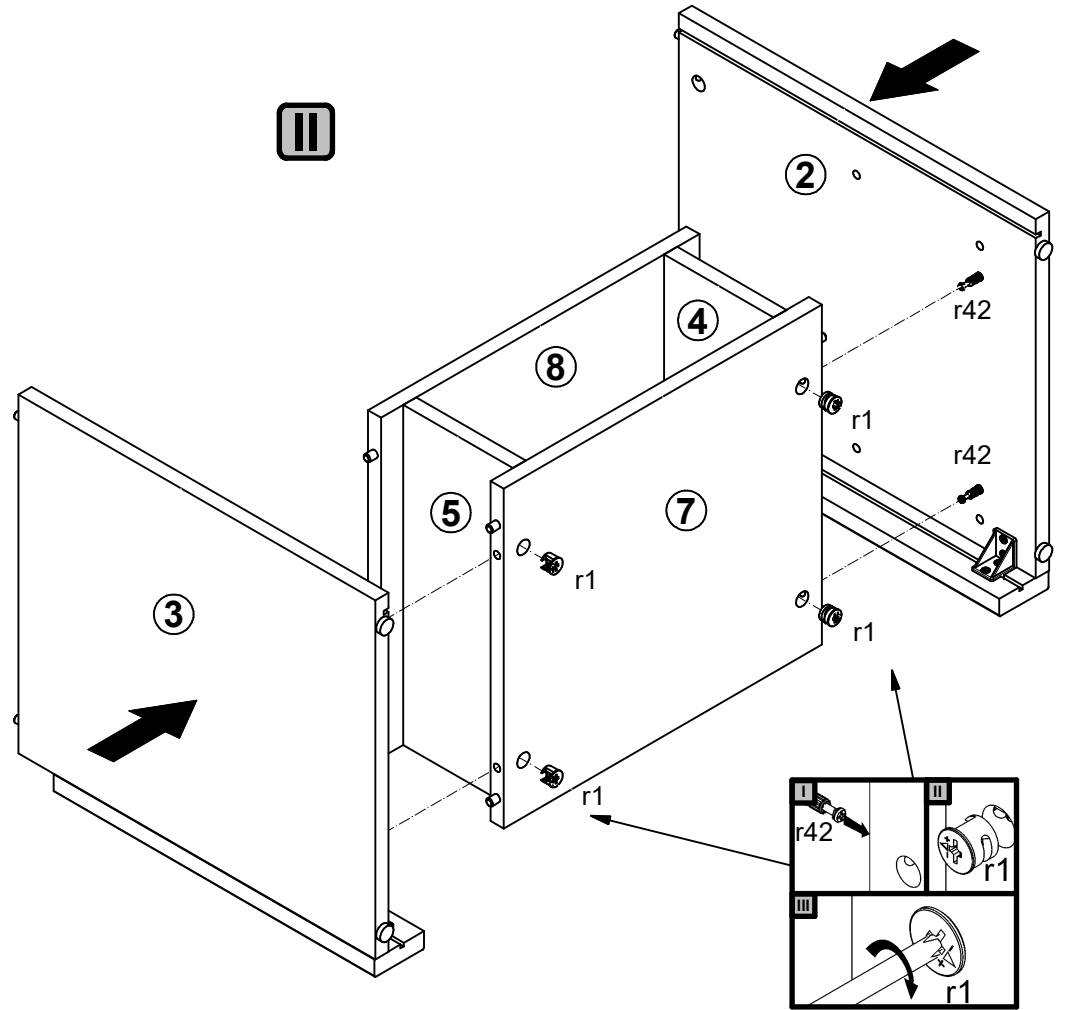
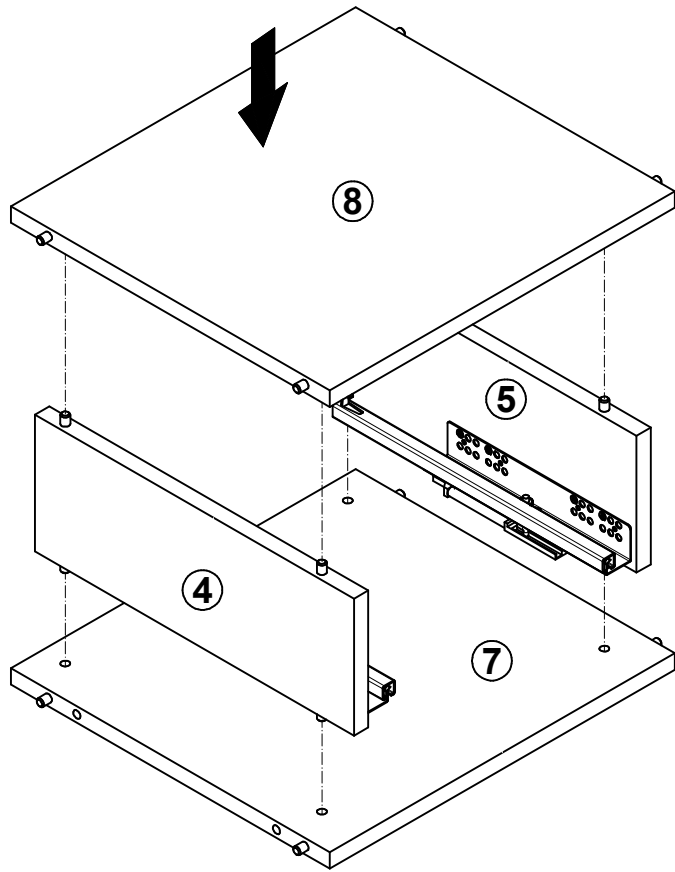



16x Ø8x30 mm f1	6x d37	12x Ø3,5x16 mm p38
1x 300mm w125\L	1x 300mm w125\P	8x Ø6x13 mm e3



4x Ø8x30 mm f1	4x k1
8x 20/11 r42	12x Ø3,5x16 mm p38

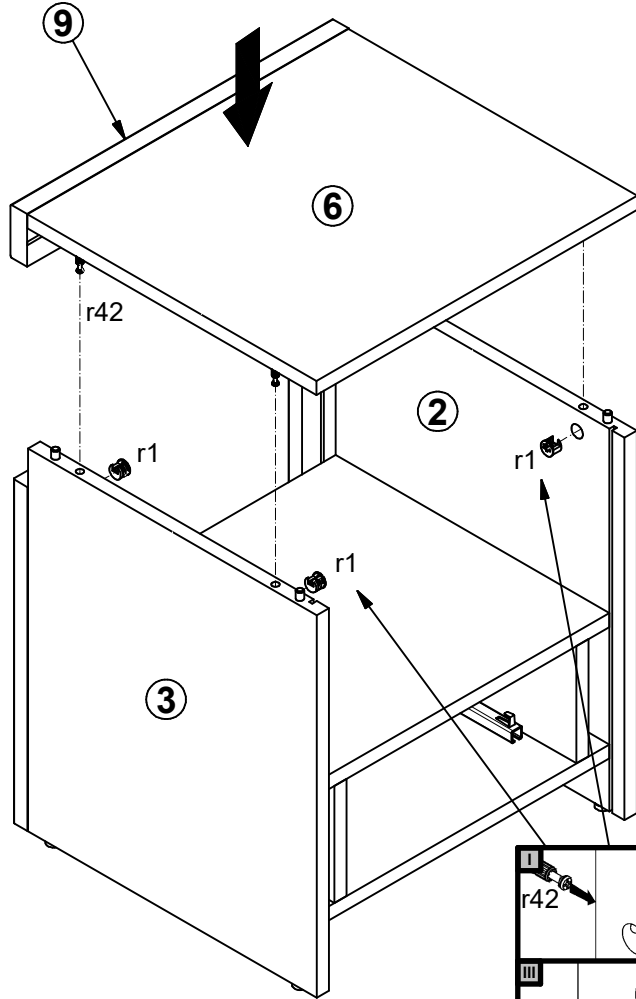
**3** 



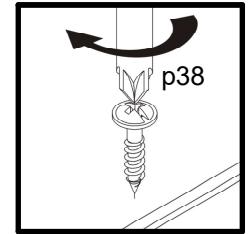
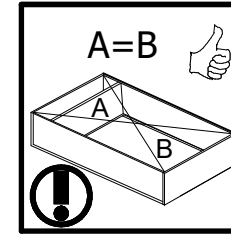
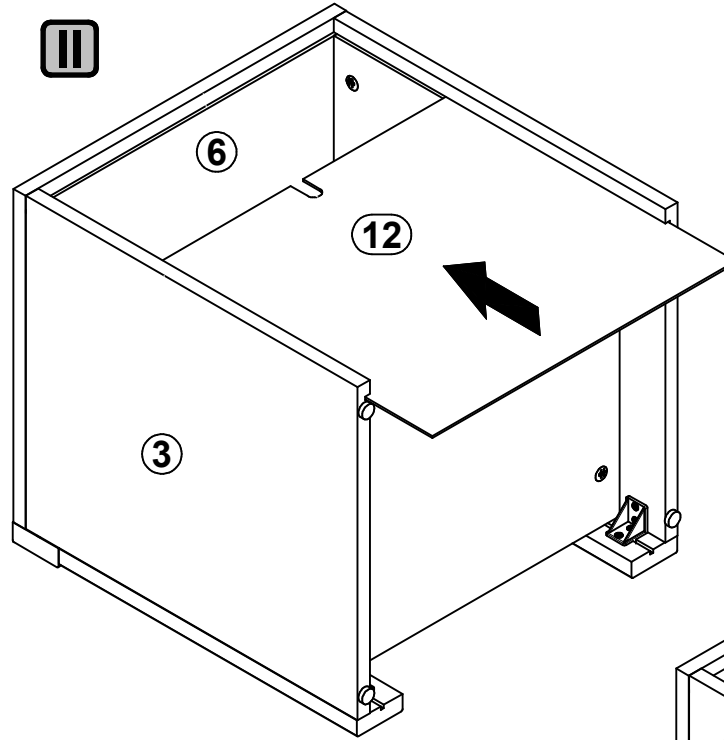
4x  r1  
Ø15x12 mm #16

4 

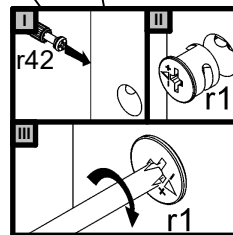
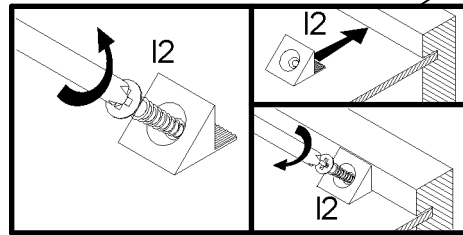
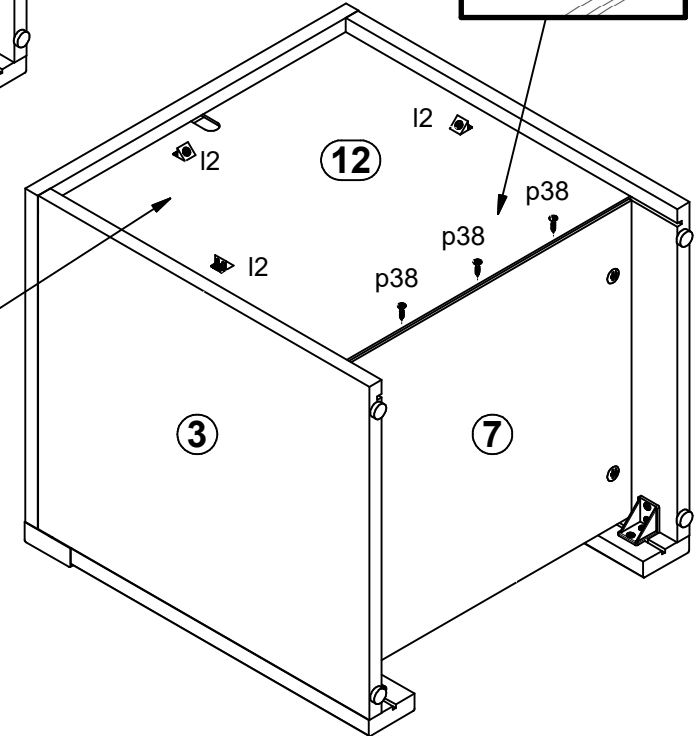
I






II



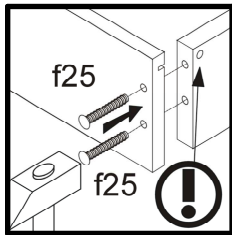
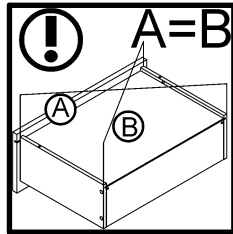
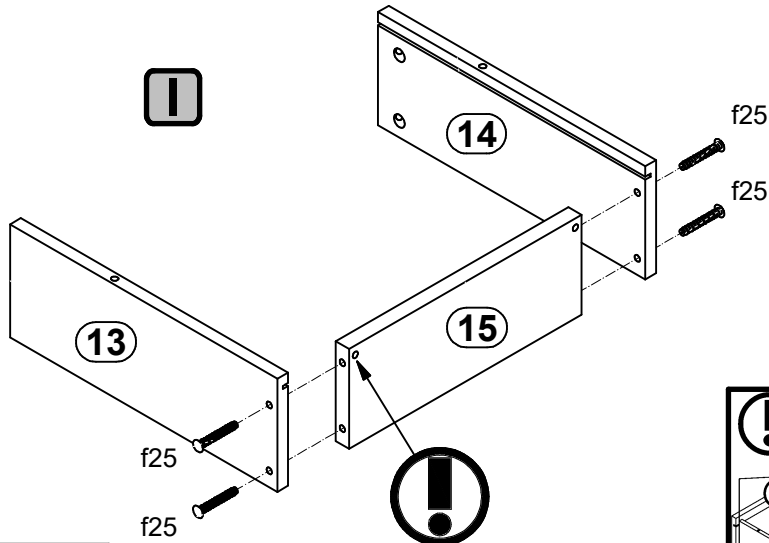
III



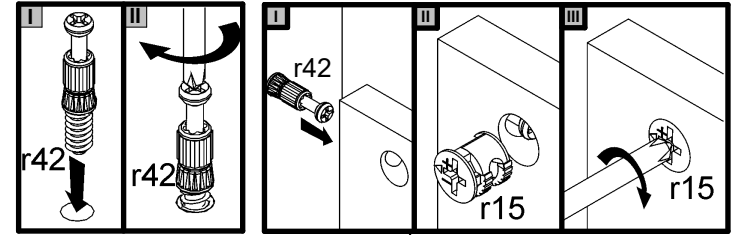
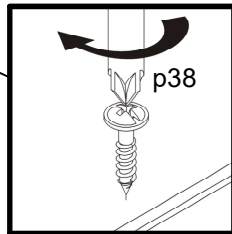
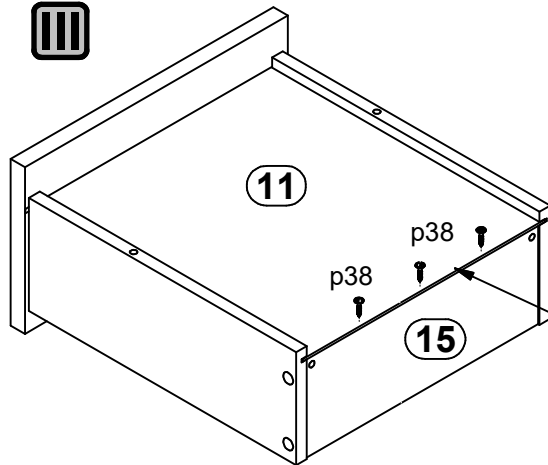
- 4x  r1 Ø15x12 mm #16
- 3x  l2
- 3x  p38 Ø3,5x16 mm

5 §2 §6

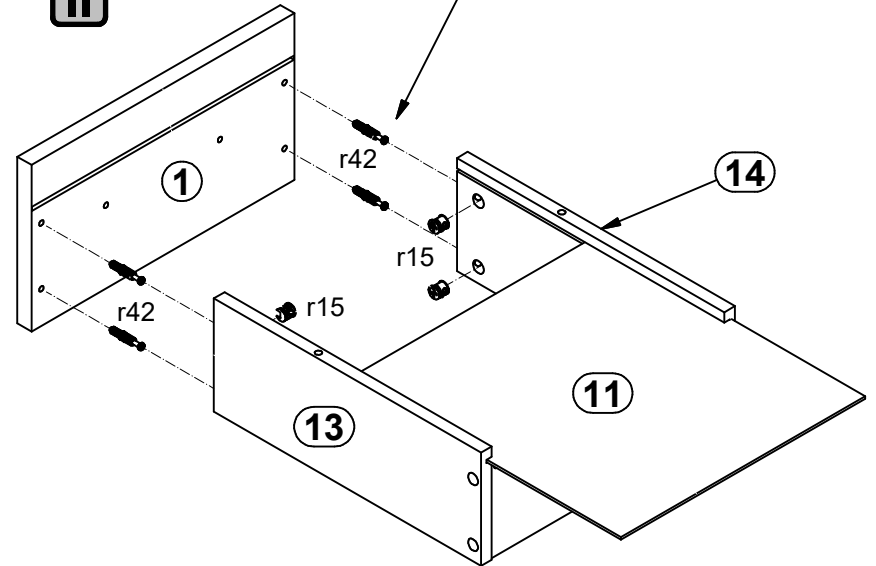
I



III



II



4x Ø6,5x40 mm f25	3x Ø3,5x16 mm p38
4x Ø12x10,5 mm #12 r15	4x 20/11 r42

6 §6

