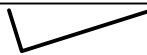
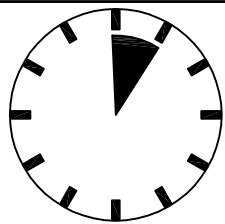
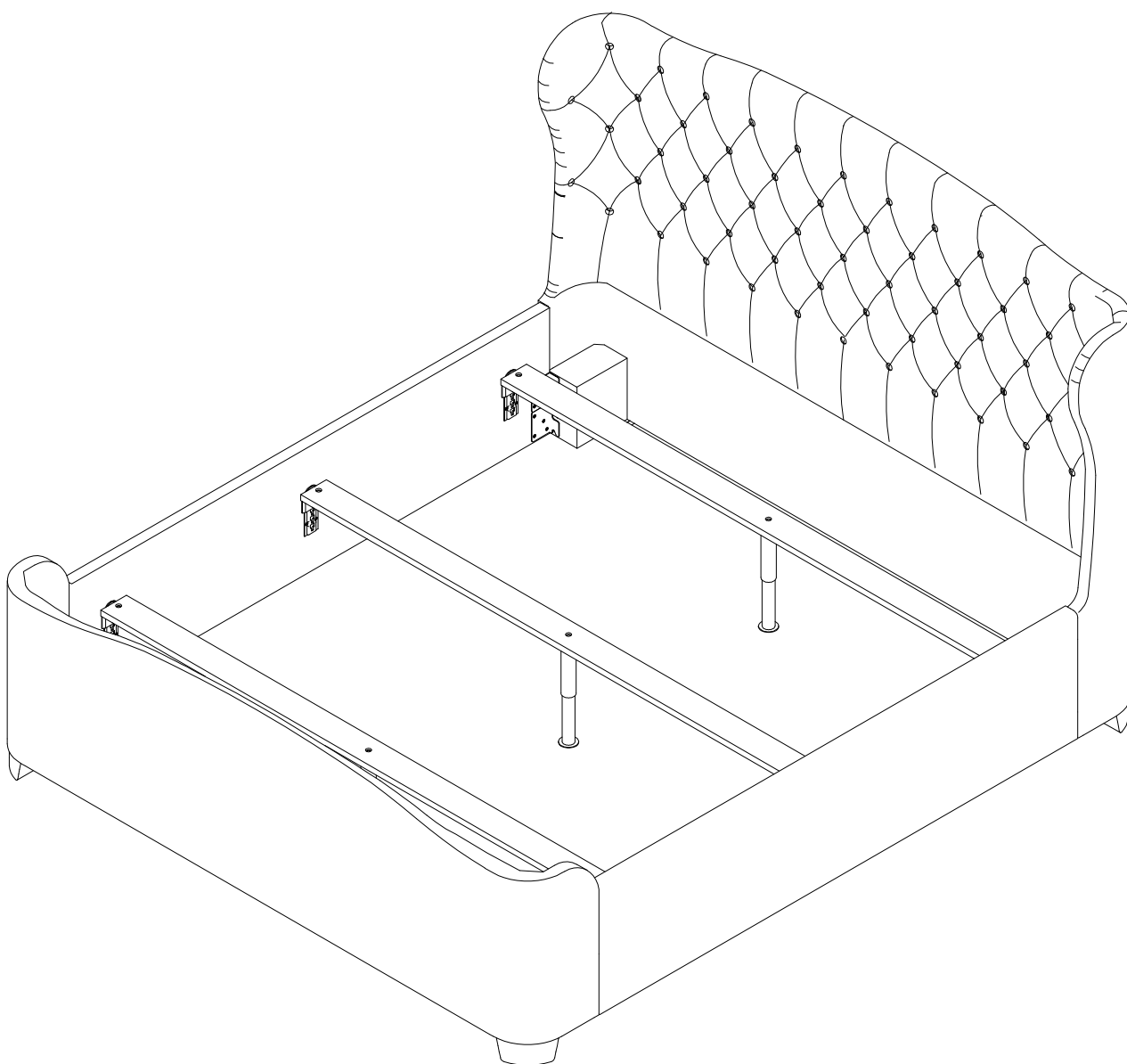


01600003 / 02



ASSEMBLY INSTRUCTIONS

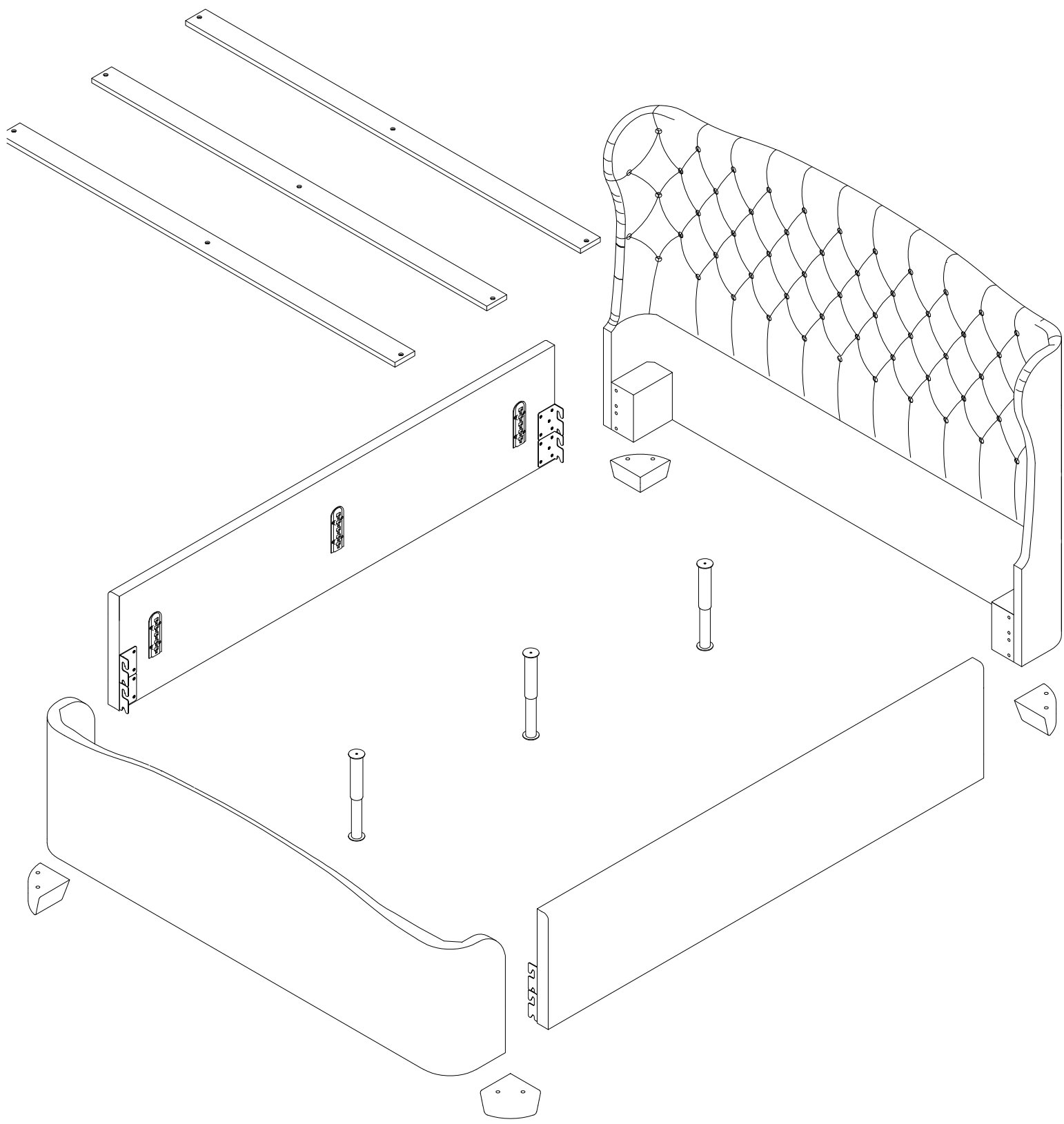


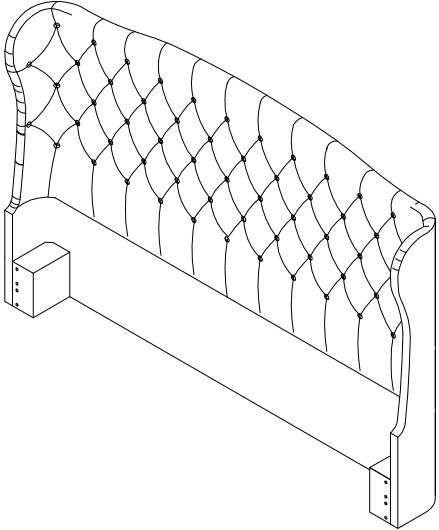
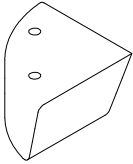
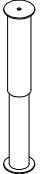
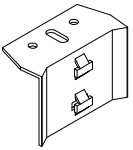
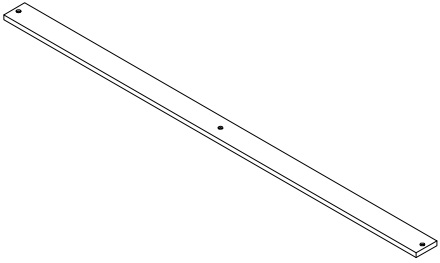
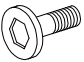

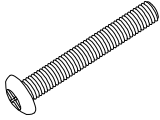
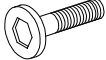


Tips before you start!

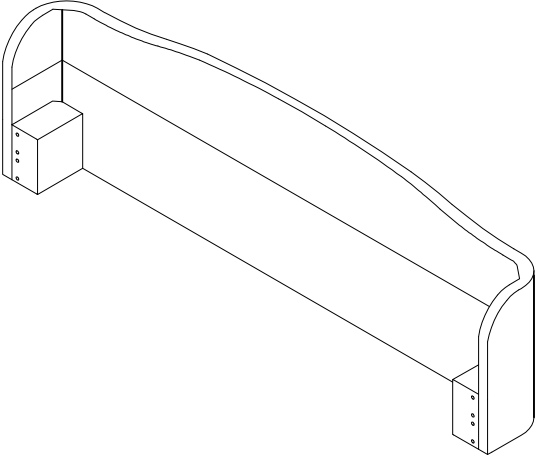
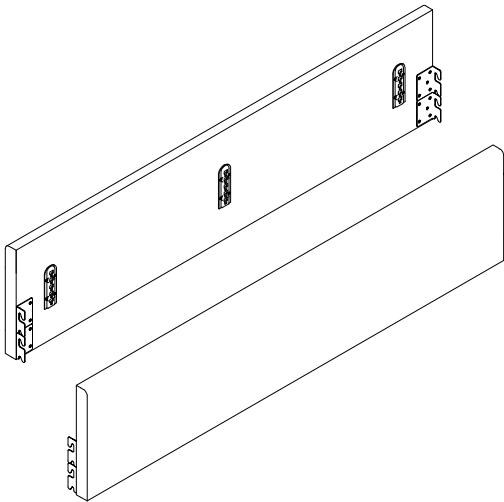
1. Please check that all parts are present before you start the assembly of your furniture.
2. For ease and speed of assembly, we recommend that before you commence each step of the assembly, that you identify all the parts required for that step.
3. For larger items, please ensure that you have sufficient space and people (as indicated on page 1) to assemble your product safely. (Minimum Two Persons)
4. We recommend where possible, all items are assembled near to the area where they will be placed in use, to avoid moving the product unnecessarily once assembled.
5. Please ensure that your bed is placed on a level floor area. (Avoid setting up and installing your bed on uneven floor surface.)
6. For the protection of your furniture, we recommend that the product is placed on a protected surface during assembly to prevent any damage.
7. During assembly please take care not to over-tighten any fittings, as this may damage the product.

CARE INSTRUCTIONS FOR VELVET FABRIC

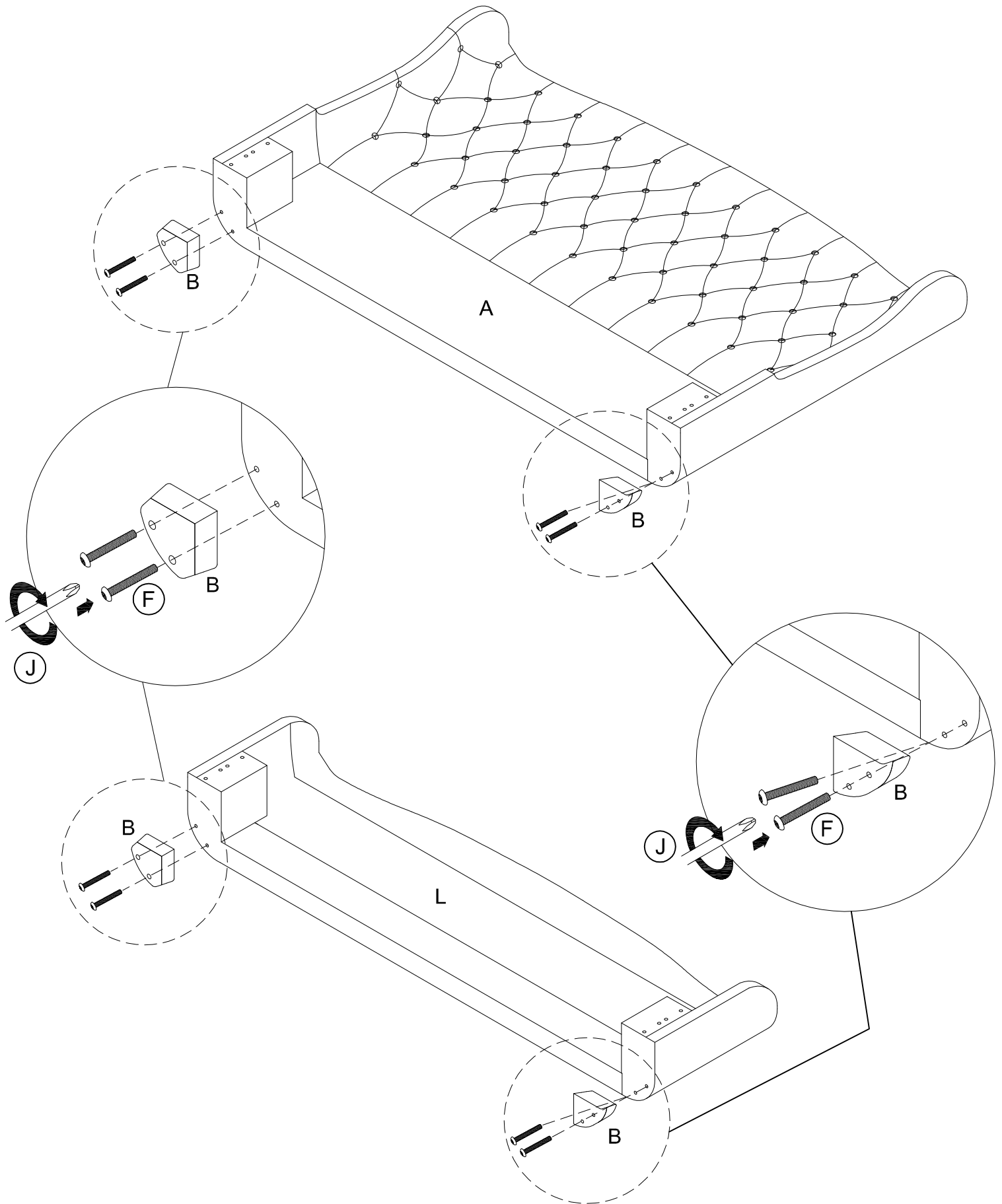
- **If liquid has spilled onto the velvet, soak it up with a paper towel or cloth. Make sure there is no food or debris left on the material. Combine a small amount of dish soap and water in a bucket. Mixing it until it becomes soapy. Soak the cloth in the soapy water and apply it gently to the stain. Use the soapy cloth to blot the stain until it disappears. It is important for the velvet fabric to dry quickly. Use a hair dryer luke warm to accelerate the drying process.**
- **Carefully apply the upholstery cleaner to velvet with soft sponge, leaving the velvet's pile undisturbed. After it is clean, be sure to vacuum and brush the velvet follow the grain always**
- **A steam cleaner is perfect for removing stains, dirt and debris, disinfecting the velvet fabric, without leaving any damage to it. If you have it, apply it on your velvet upholstery for cleaning it with better results.**
- **How to remove a light crease mark for velvet fabric. Use the portable steamer lowest heat setting without touching the velvet surface. Run the steamer over the material, allow the steam to penetrate the material, then slowly it will remove the crease mark.**
- **If you doubt in the techniques, explained above and are afraid that you can crush the velvet of your upholstery or damage it, you better turn to a professional cleaning company. Use the services of a reliable cleaning provider to remove the stains and clean your velvet upholstery professionally.**



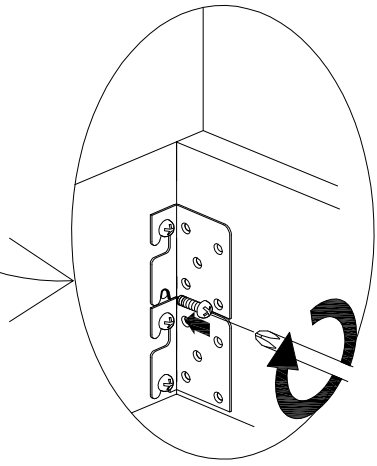
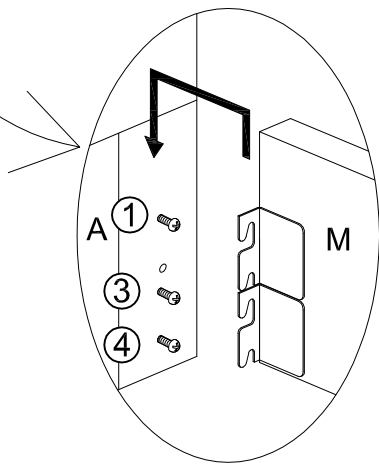
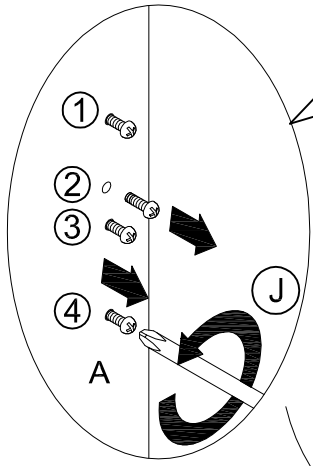
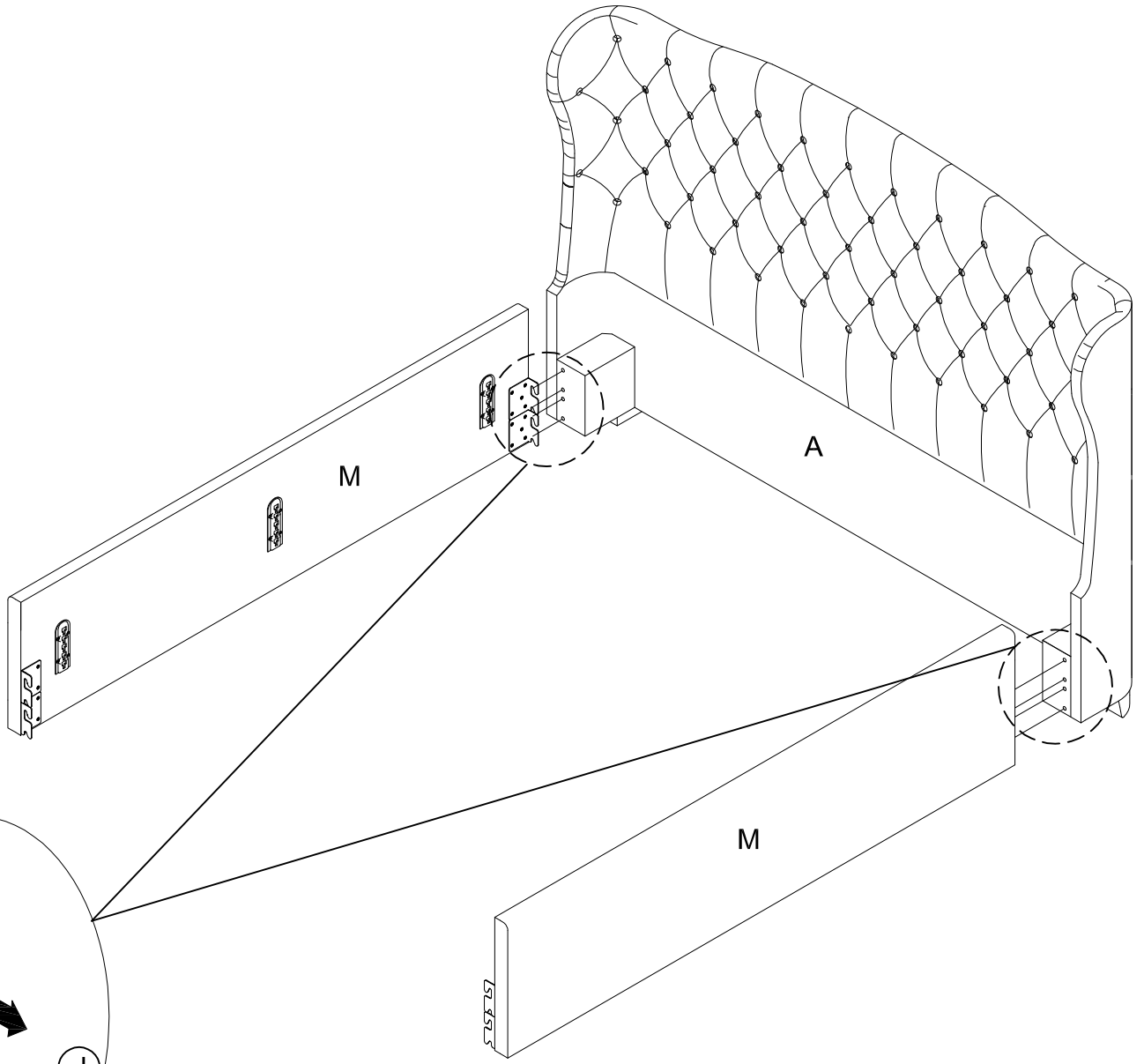
<p>(A)</p>  <p>1 X</p>	<p>(B)</p>  <p>4 X</p>		
<p>(D)</p>  <p>3 X</p>		<p>(E)</p>  <p>6 X</p>	<p>(C)</p>  <p>3 X</p>
<p>(H)</p>  <p>6 X</p> <p>M6 X 10mm</p>	<p>(I)</p>  <p>6 X</p> <p>M6 X 12mm</p>	<p>(F)</p>  <p>8 X</p> <p>M8 X 60mm</p>	<p>(G)</p>  <p>3 X</p> <p>M6 X 20mm</p>
<p>(J)</p>  <p>1 X</p>		<p>(K)</p>  <p>2 X</p>	

<p>(L)</p>  <p>1 X</p>	<p>(M)</p>  <p>2 X</p>
---	--

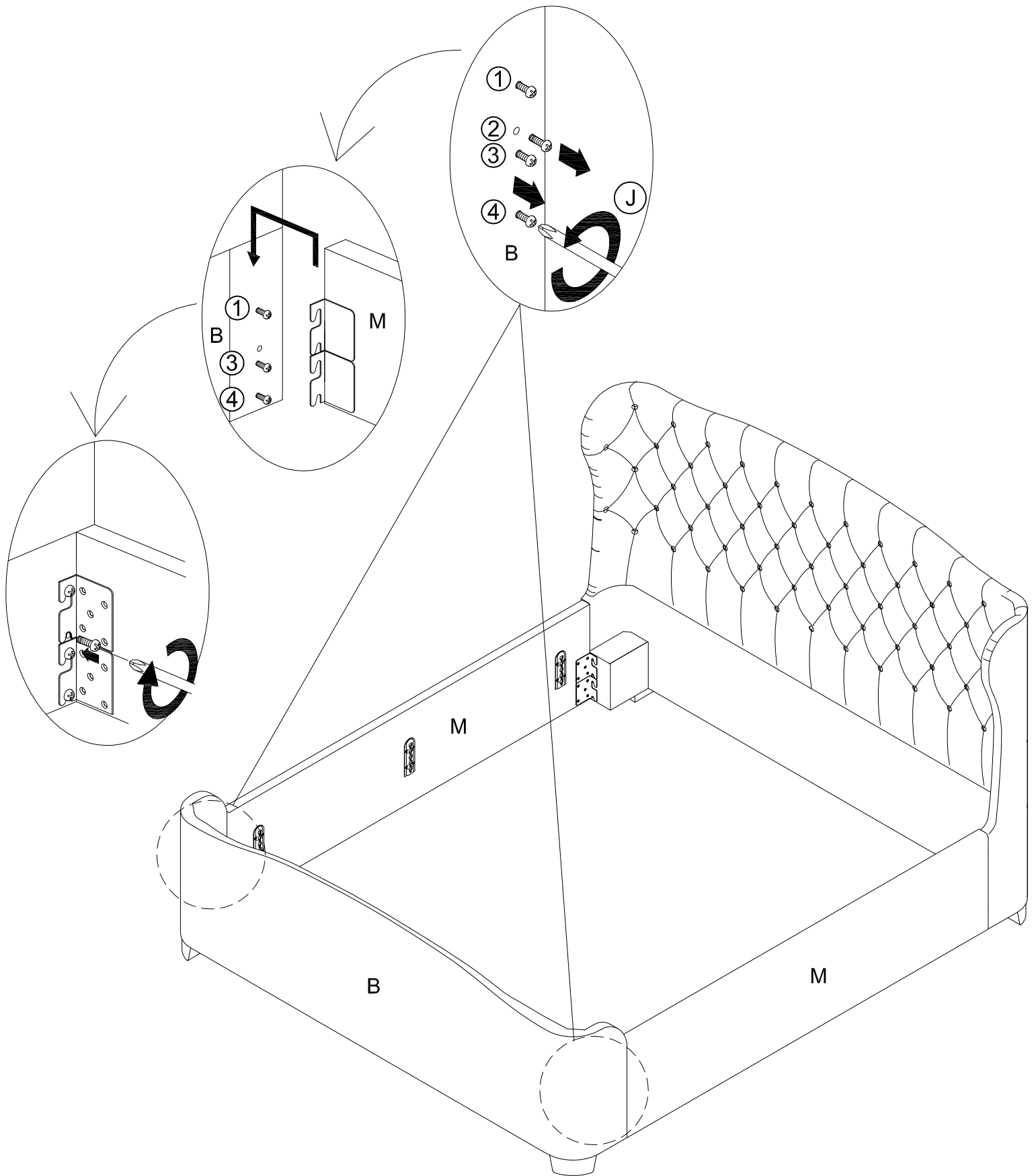
1



2

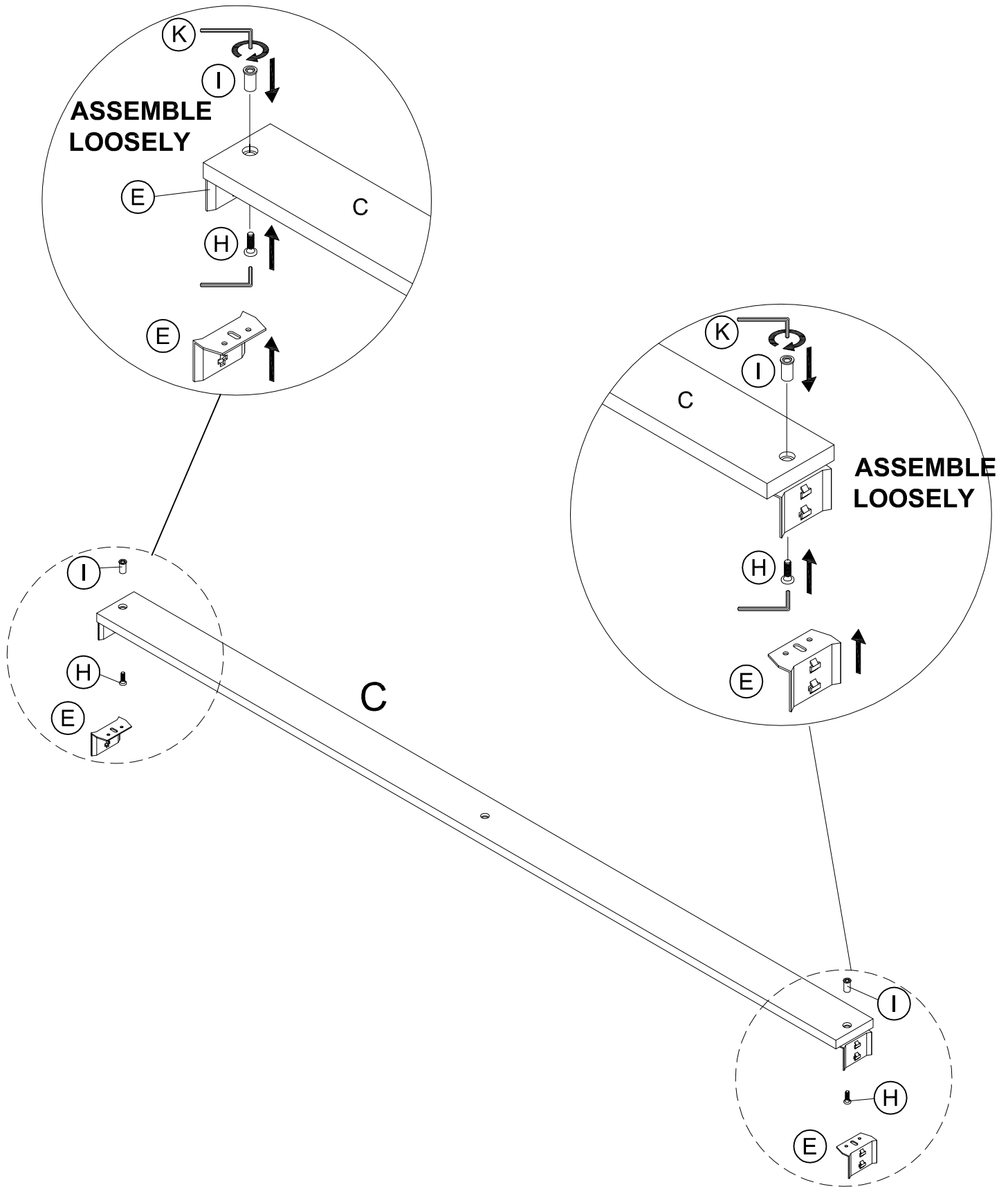


3



4

ATTACH THE JCN NUT (I) AND BOLTS (H) TO THE CROSS RAIL (C).
TIGHTEN IT LOOSELY.

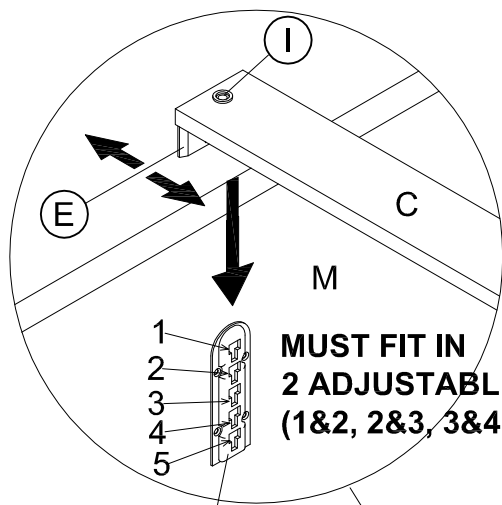


5

THE CROSS RAIL (C) LEVEL CAN BE ADJUST ACCORDING TO NEEDS.

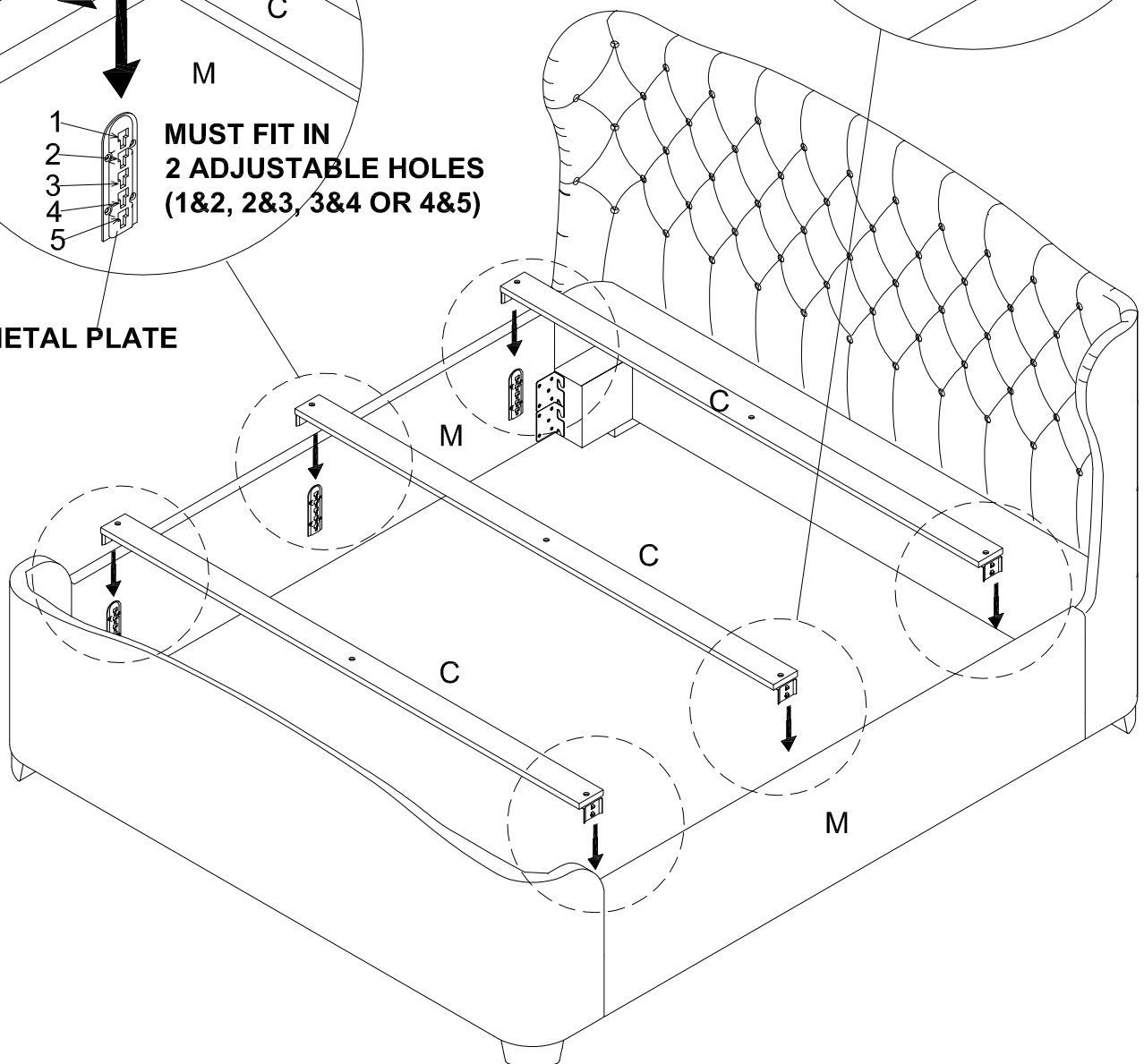
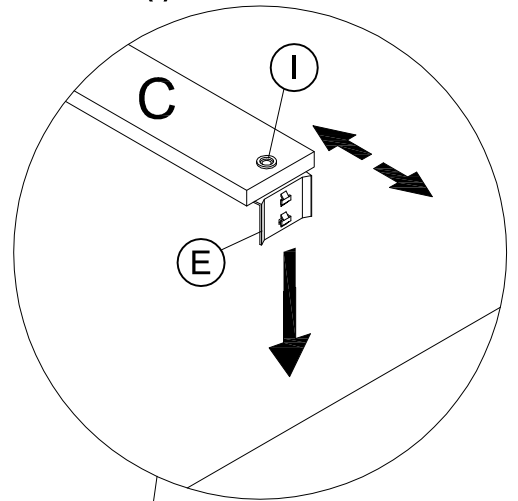
ADJUST THE METAL BRACKET (E), BEFORE FIT IN THE METAL PLATE. AFTER FIT IN, THEN THIGHTEN THE JCN NUT (I) & BOLT

ADJUST THE METAL BRACKET (E), BEFORE FIT IN THE METAL PLATE. AFTER FIT IN, THEN THIGHTEN THE JCN NUT (I) & BOLT



MUST FIT IN 2 ADJUSTABLE HOLES (1&2, 2&3, 3&4 OR 4&5)

METAL PLATE



6

THE METAL CENTRE LEG (D) LEVEL CAN BE ADJUST ACCORDING TO NEEDS.

