

27980329/01

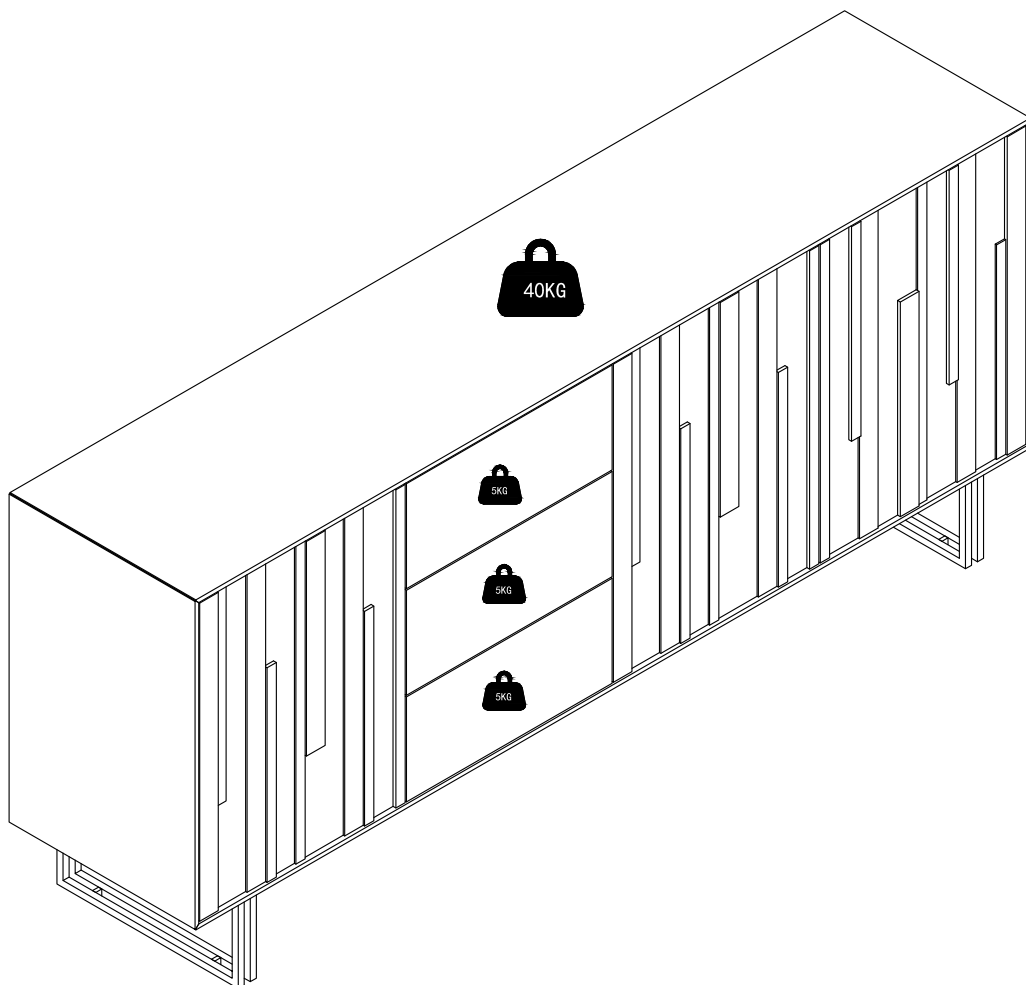
MINSK

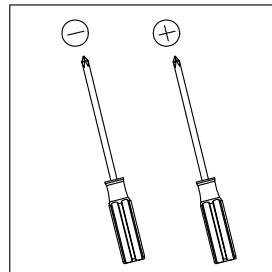
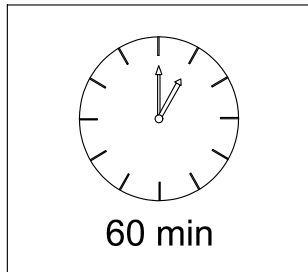
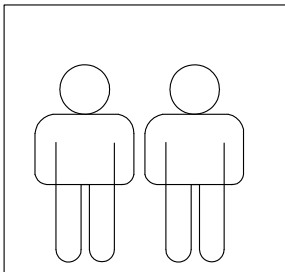
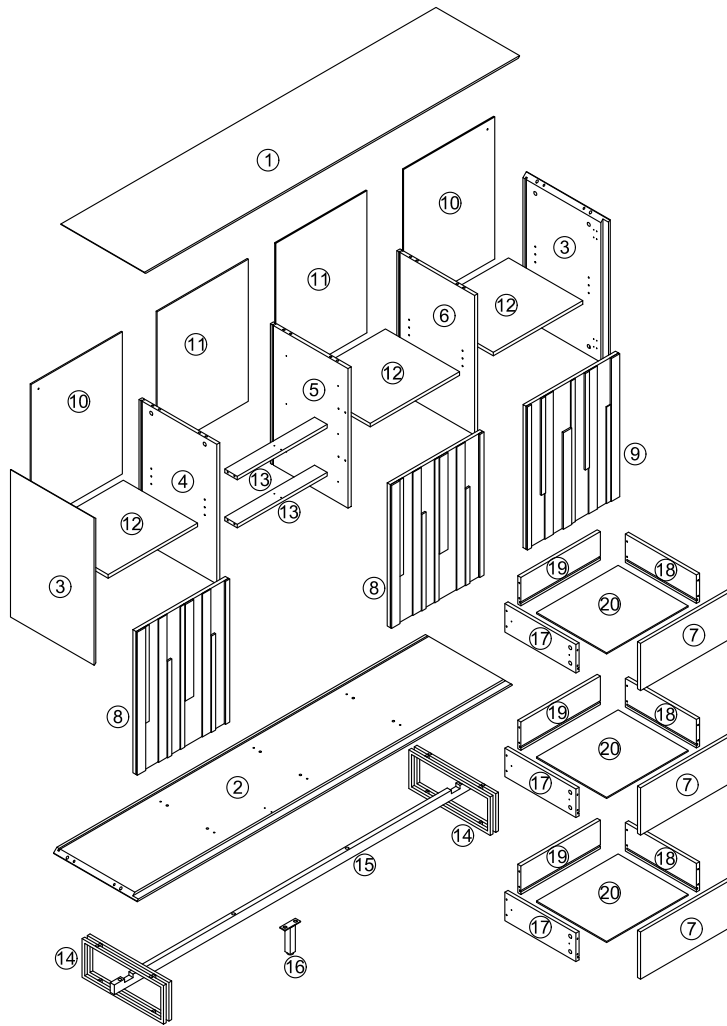
BDSK Handels GmbH & Co. KG

Mergentheimer Straße 59

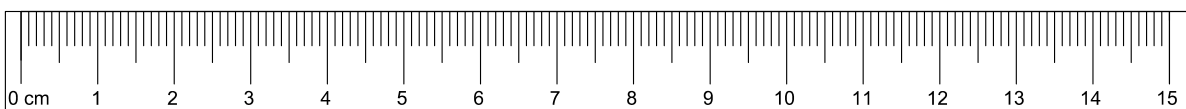
DE-97084 Würzburg

E-Mail:info@xxxlutz.at

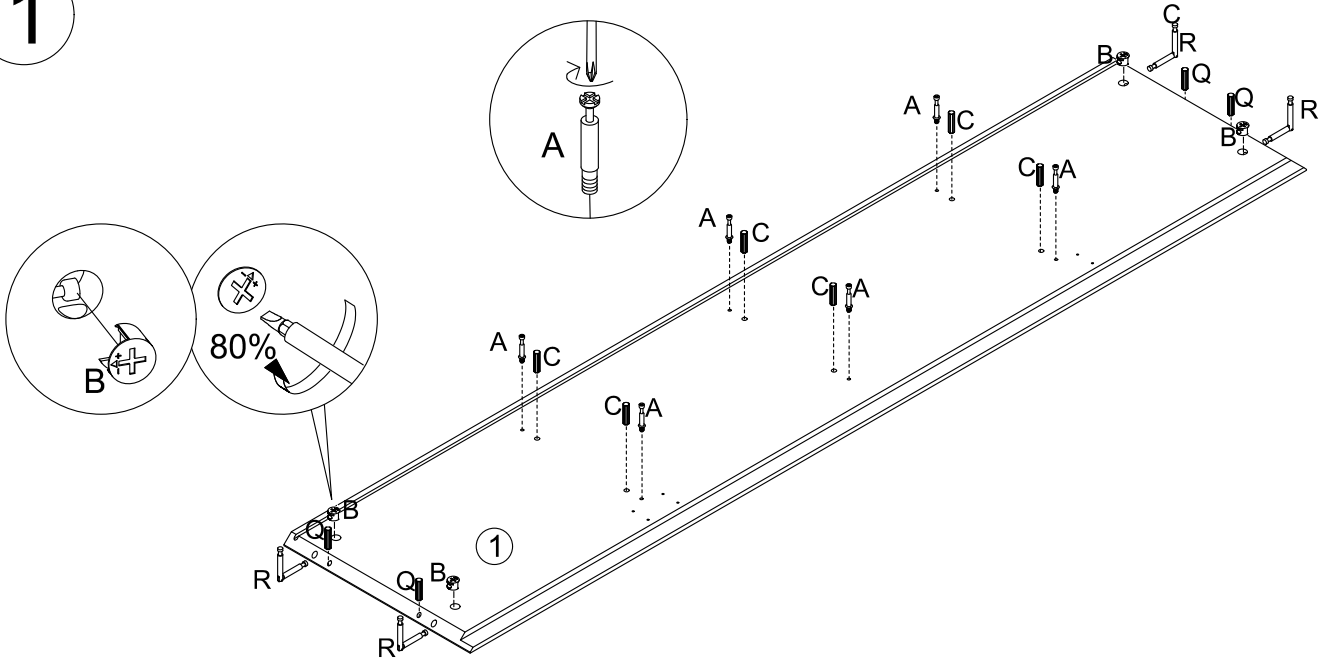



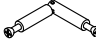





A	×26	B	×42	C	×12	D	×4	E	×4	F	×2	G	×6	H	×16
M6*35mm		∅15mm		∅8*30mm		M6*50mm		M6*25mm		M6*15mm		M7*50mm			
I	×12	J	×6	K	×6	L	×12	M	×94	N	×2	O	×2	P	×2
				∅35mm		M4*35mm		M3.5*14mm		M4.0*60mm		∅25*12mm		∅8*30mm	
Q	×8	R	×8	S	×6	T	×6	U	×8	V	×1	W	×42		
∅6*25mm				340mm		340mm		50*13*3Tmm		M4					

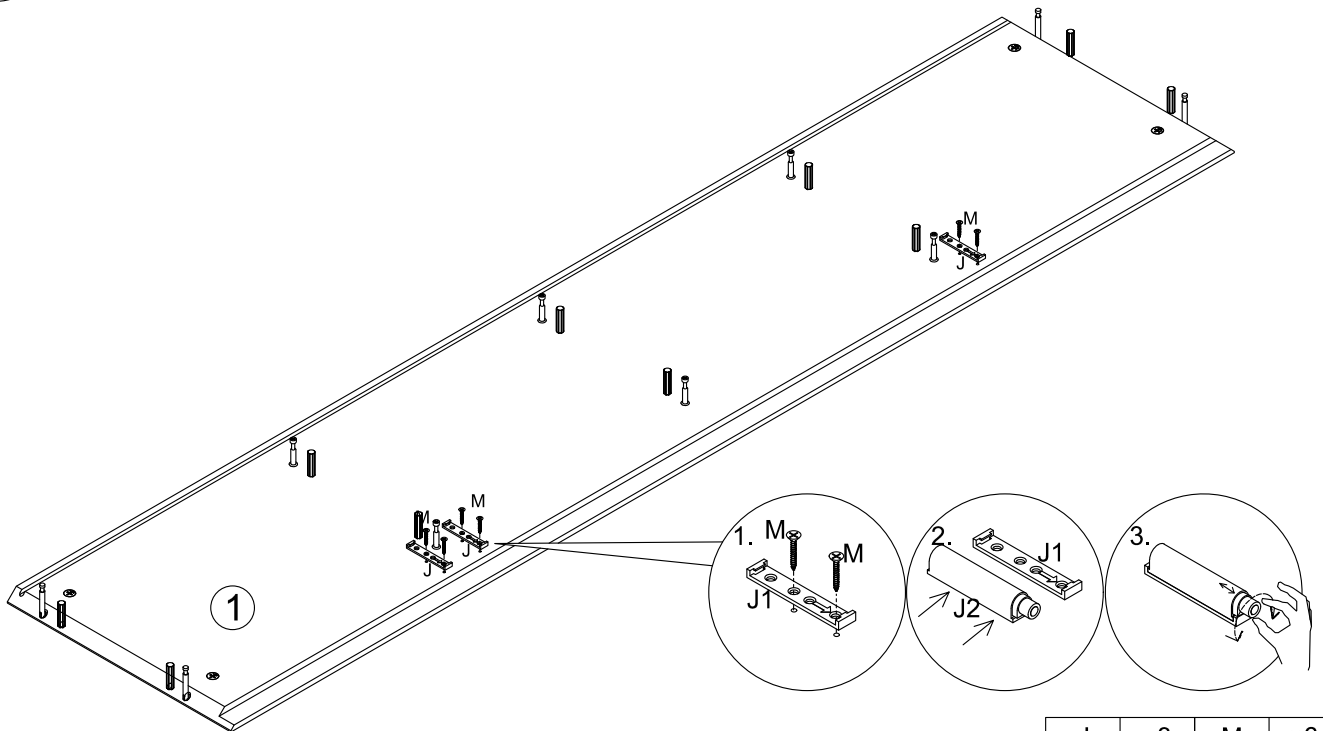



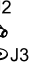

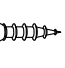
1



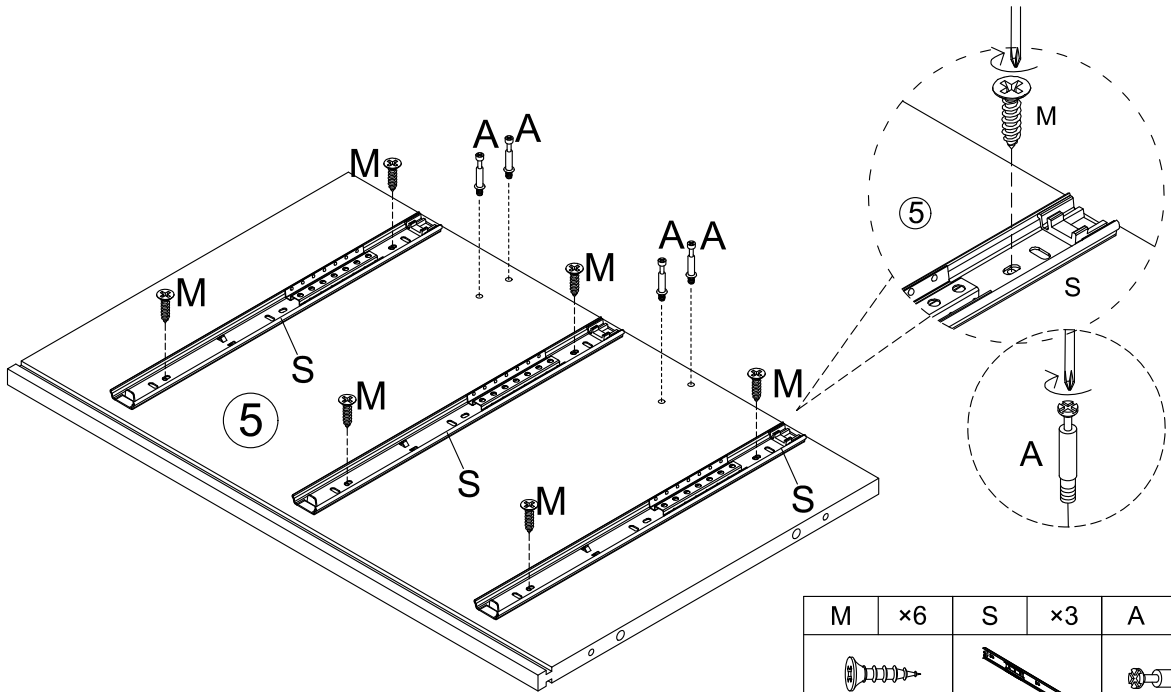
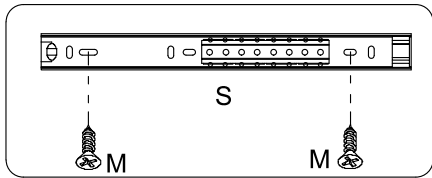
Q	x4	R	x4	B	x4	A	x6	C	x6
									
φ6*25mm				φ15mm		M6*35mm		φ8*30mm	

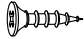

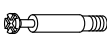
2



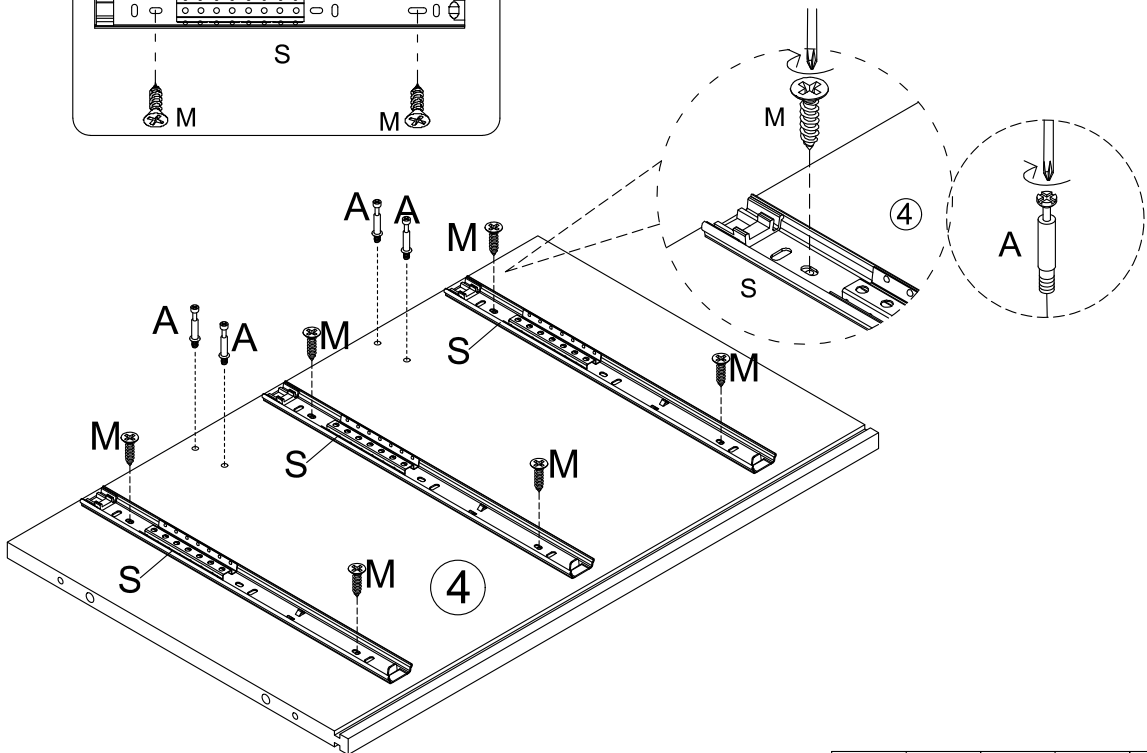
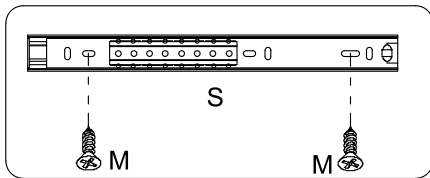
J	x3	M	x6
			
			M3.5*14mm

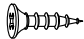

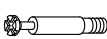
3



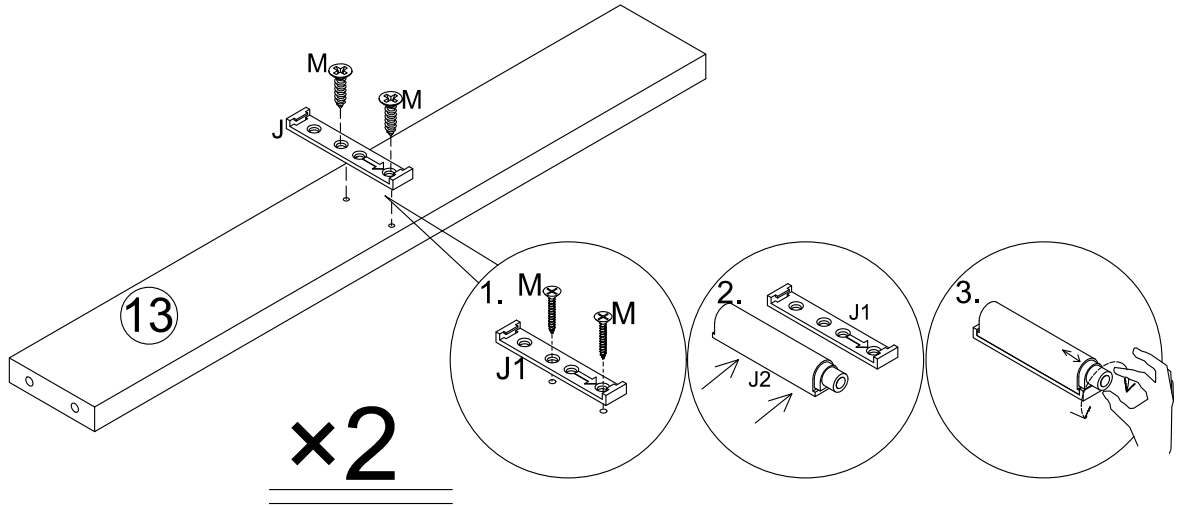
M	×6	S	×3	A	×4
					
M3.5*14mm		340mm		M6*35mm	

4

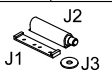
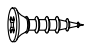


M	×6	S	×3	A	×4
					
M3.5*14mm		340mm		M6*35mm	

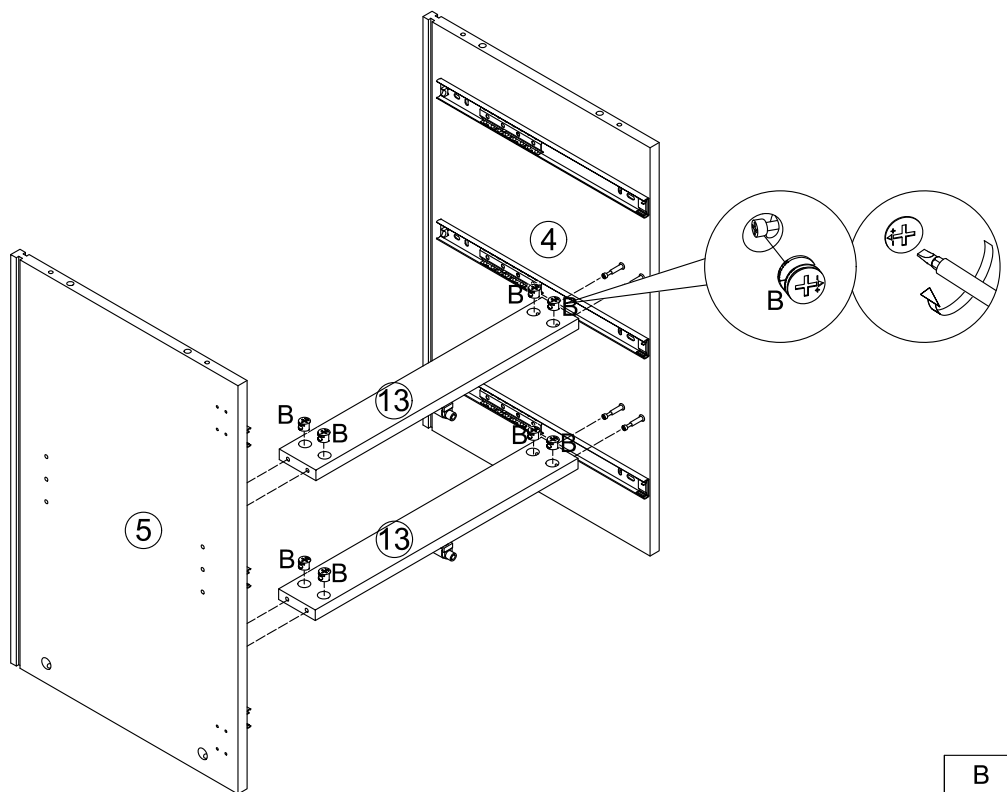
5




x2

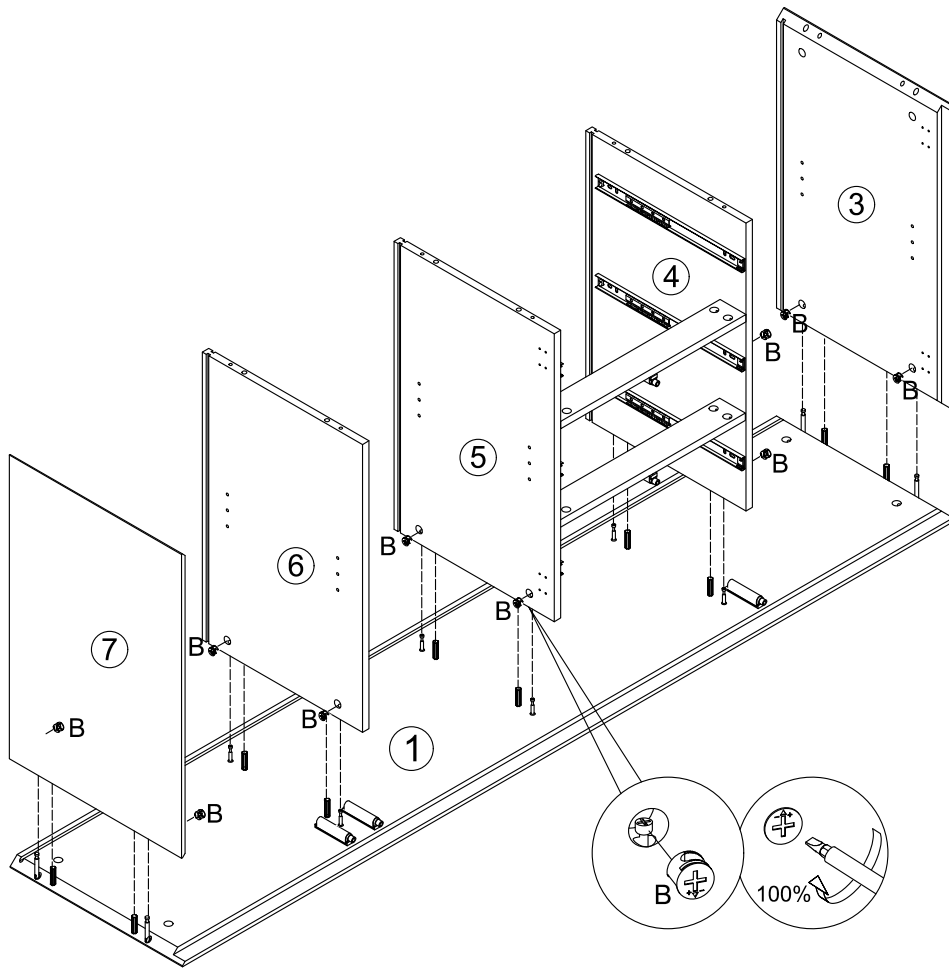
J	x2	M	x4
			
M3.5*14mm			


6



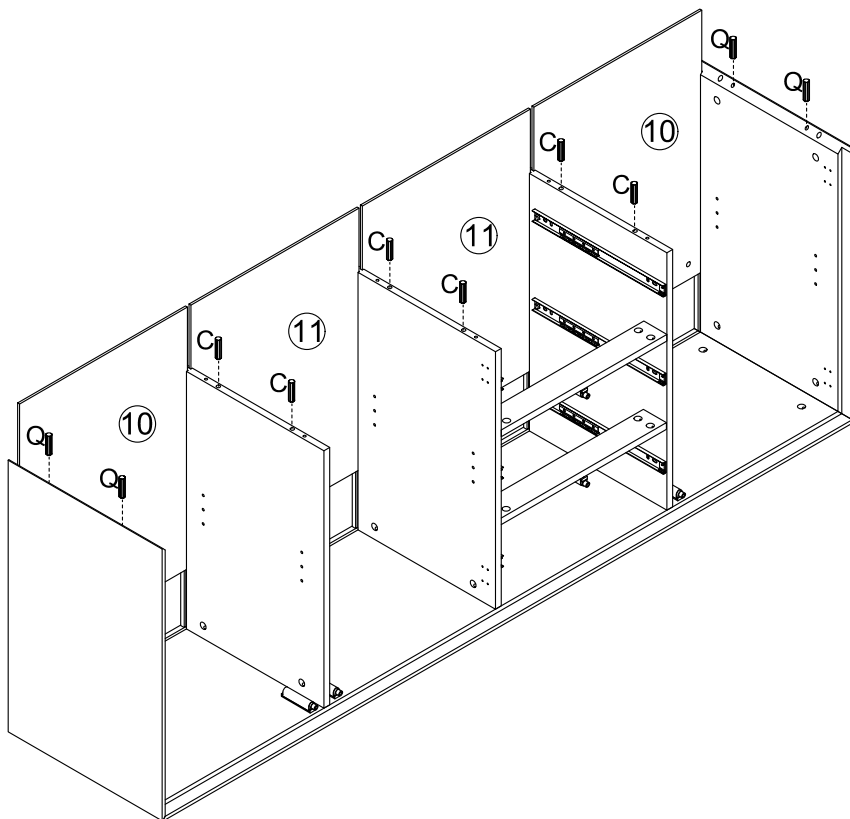
B	x8
	
φ15mm	

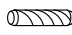

7



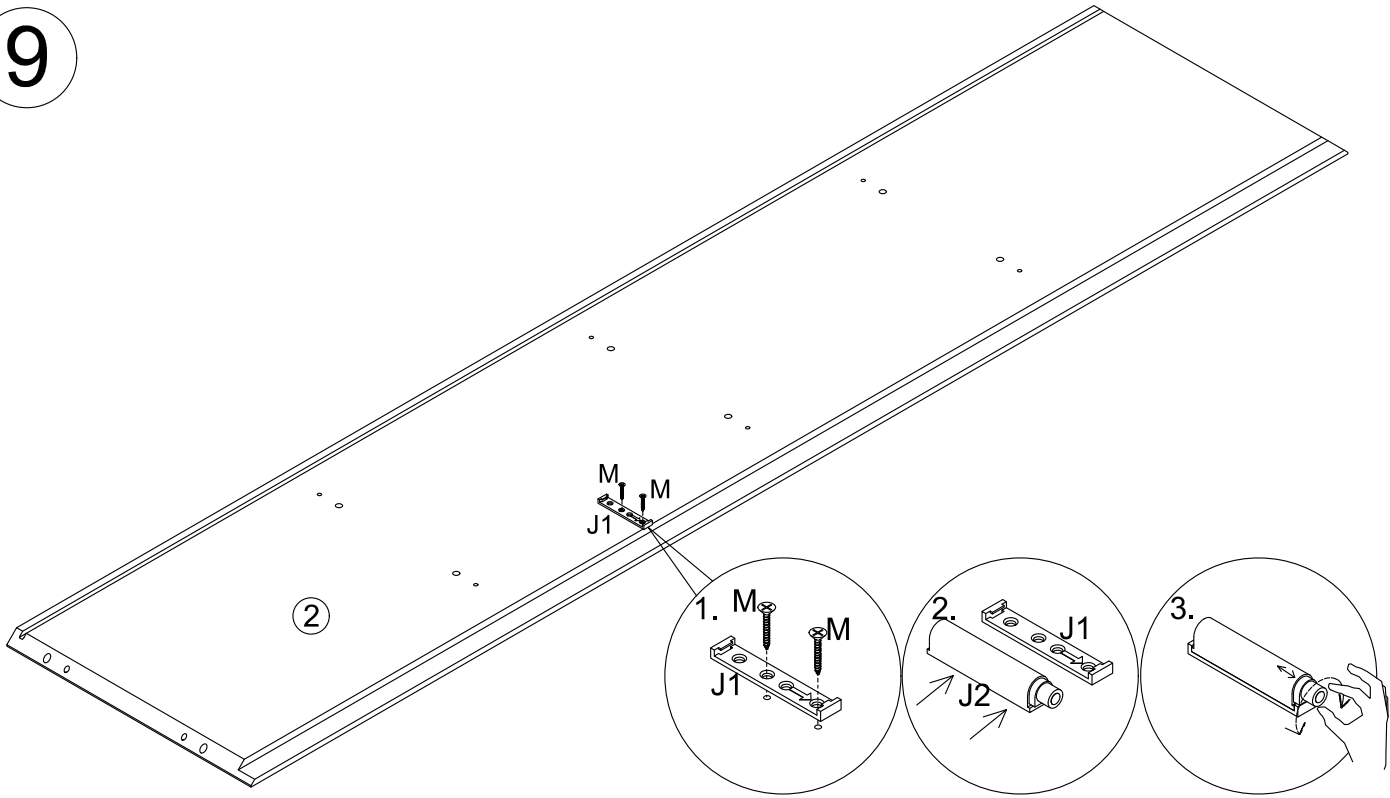
B	×10
	
ø15mm	

8



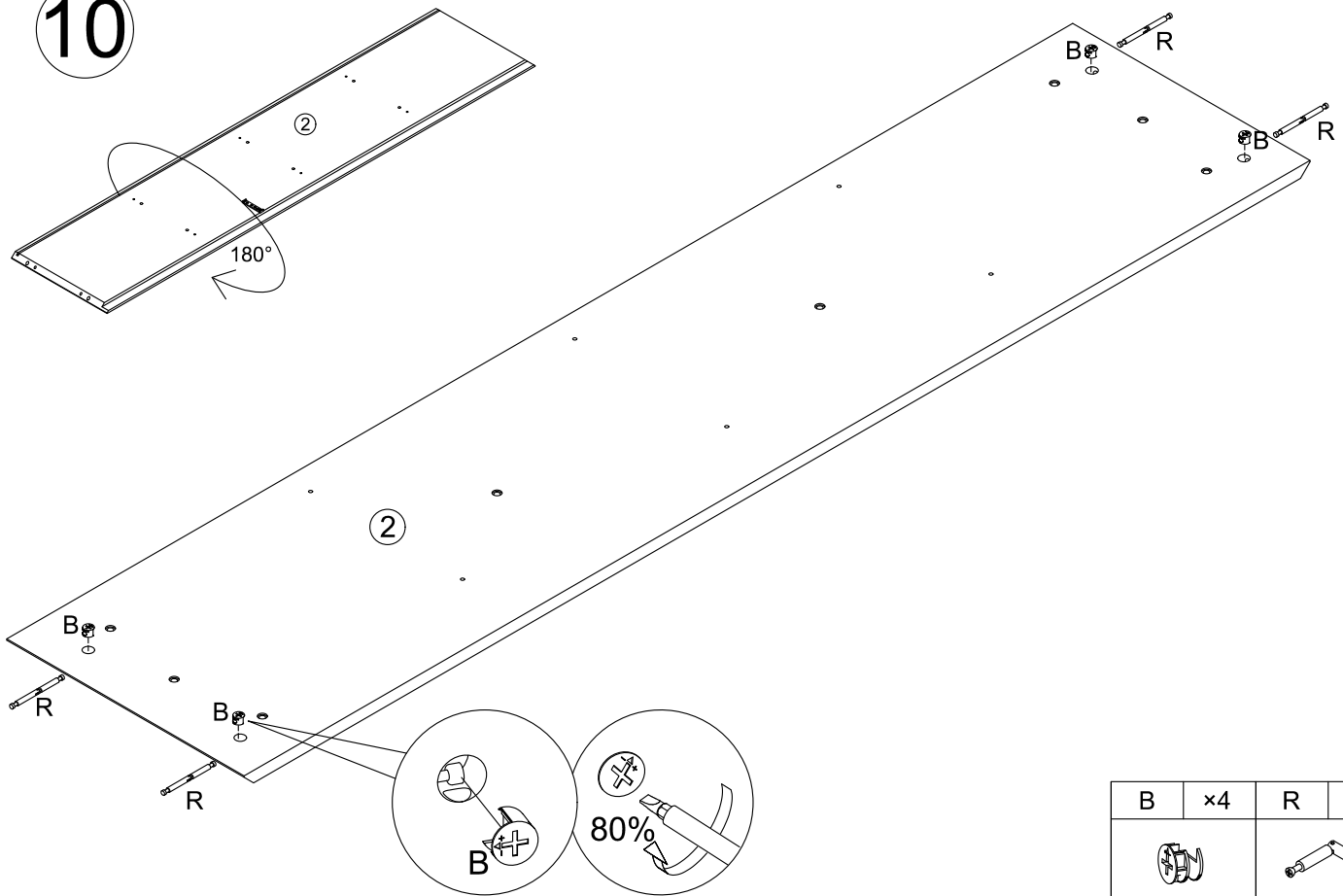
Q	×4	C	×6
			
ø6*25mm		ø8*30mm	

9



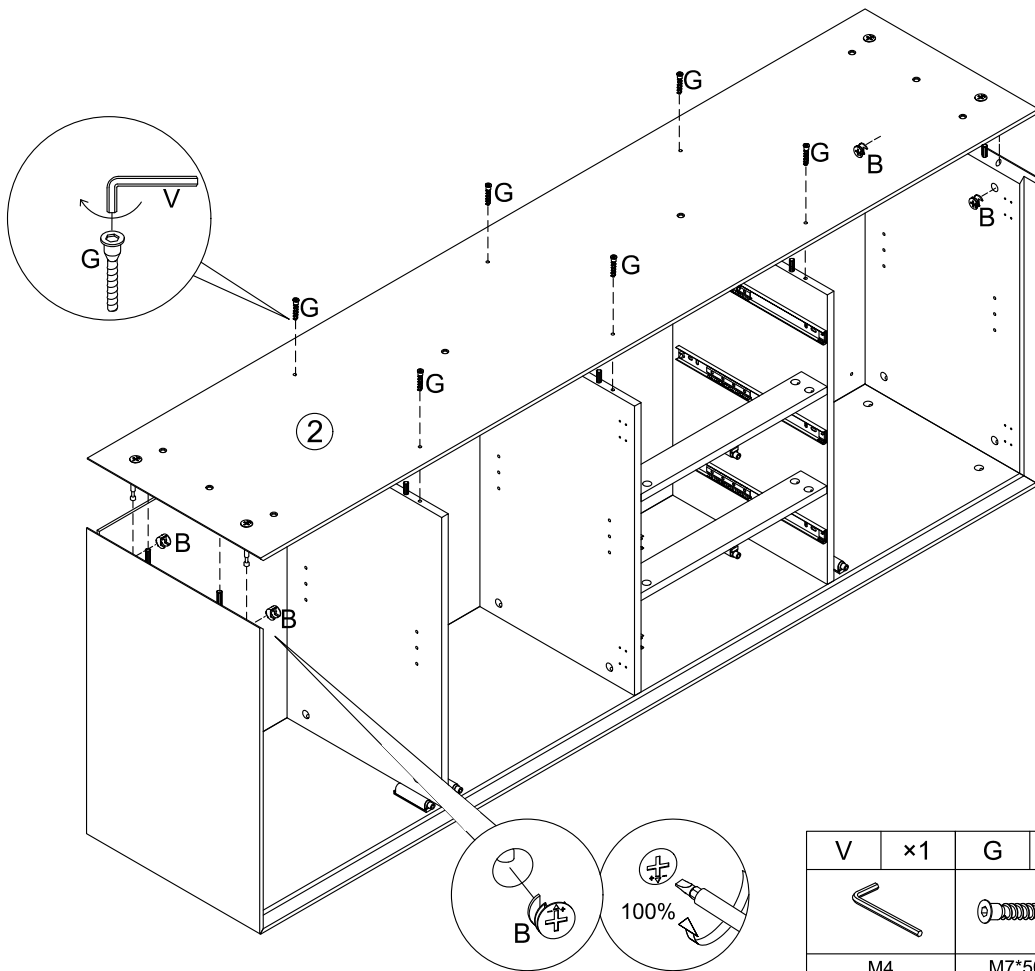
J	x1	M	x2
			M3.5*14mm




10



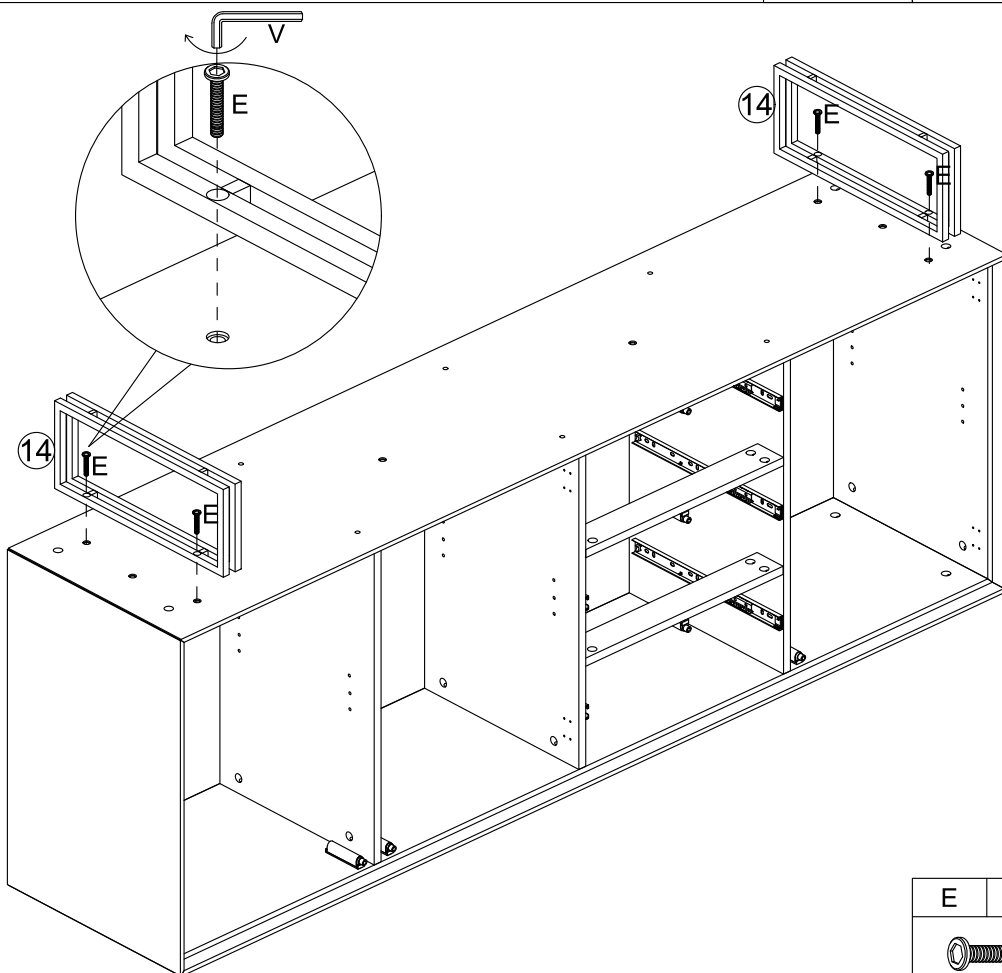
B	x4	R	x4
			ø15mm



11



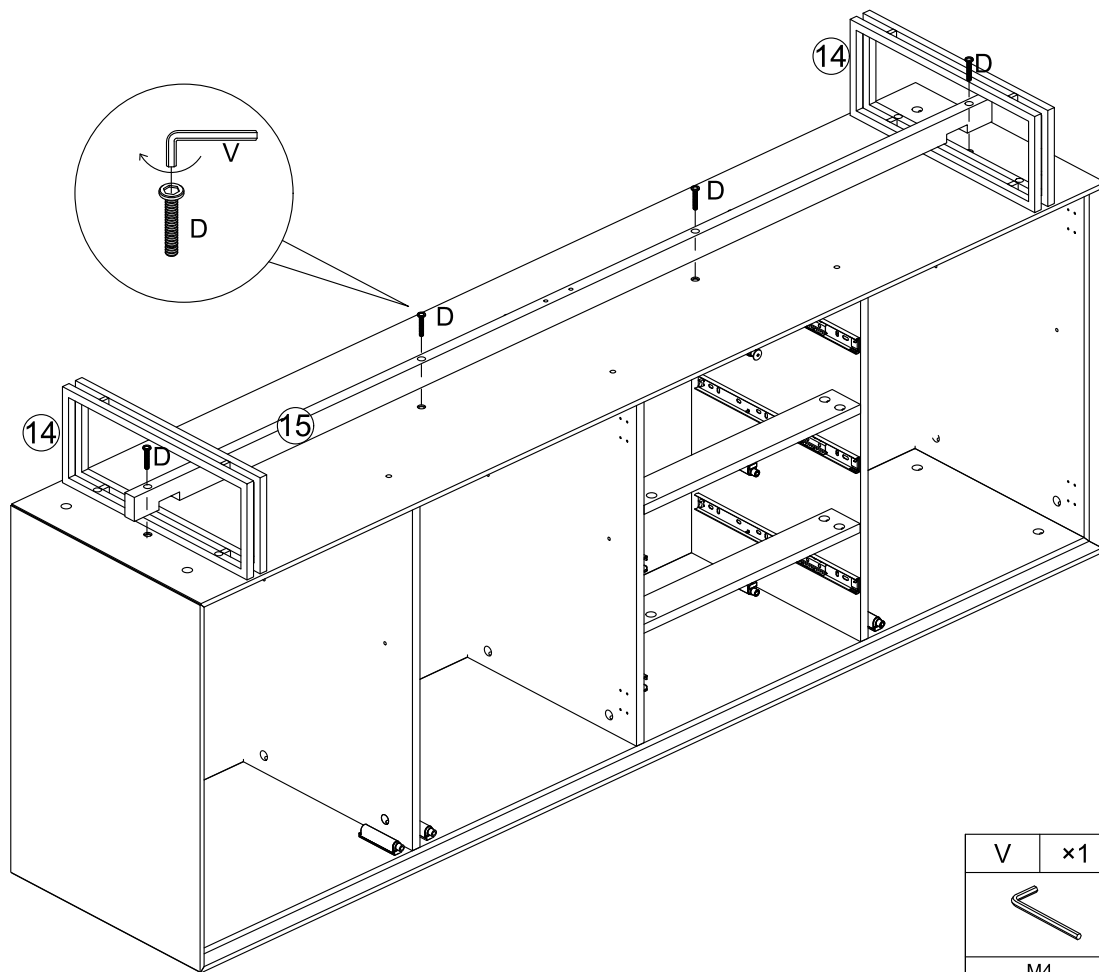
V	x1	G	x6	B	x4
					
M4		M7*50mm		ø15mm	



12



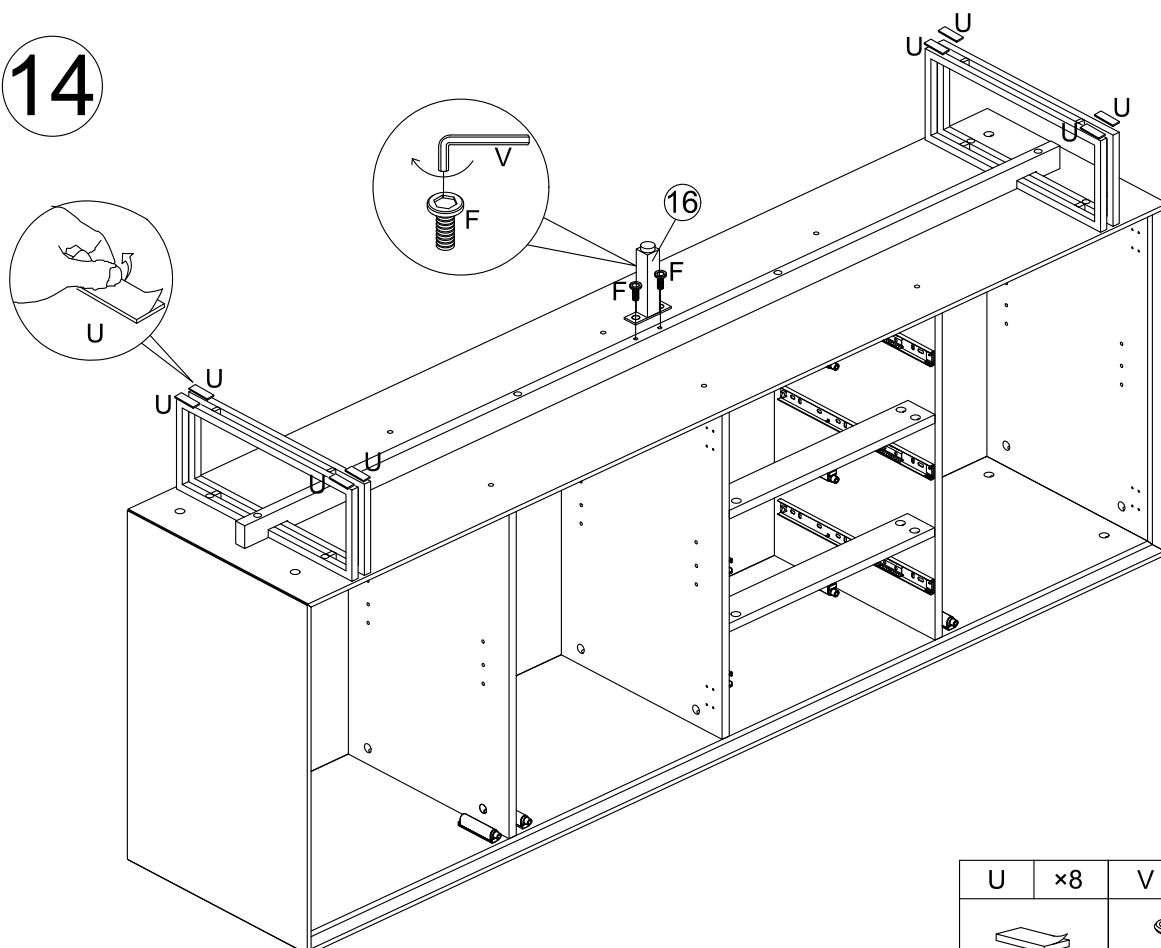
E	x4	V	x1
			
M6*25mm		M4	




13



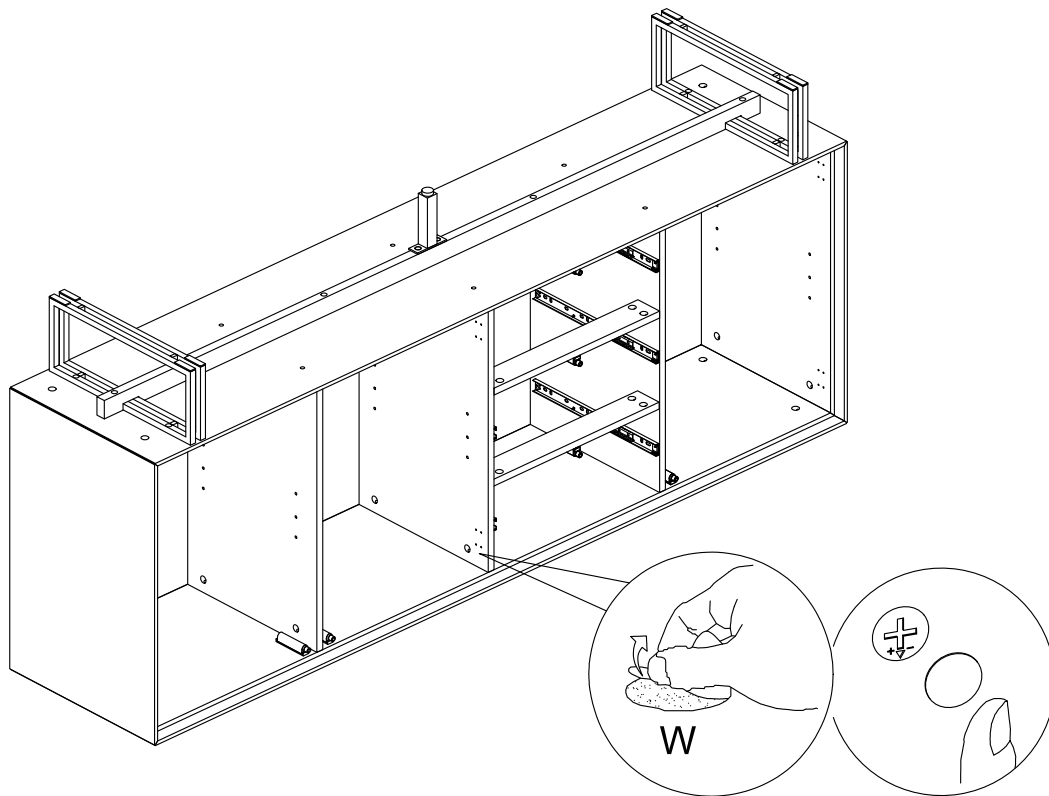
V	x1	D	x4
			
M4		M6*50mm	


14



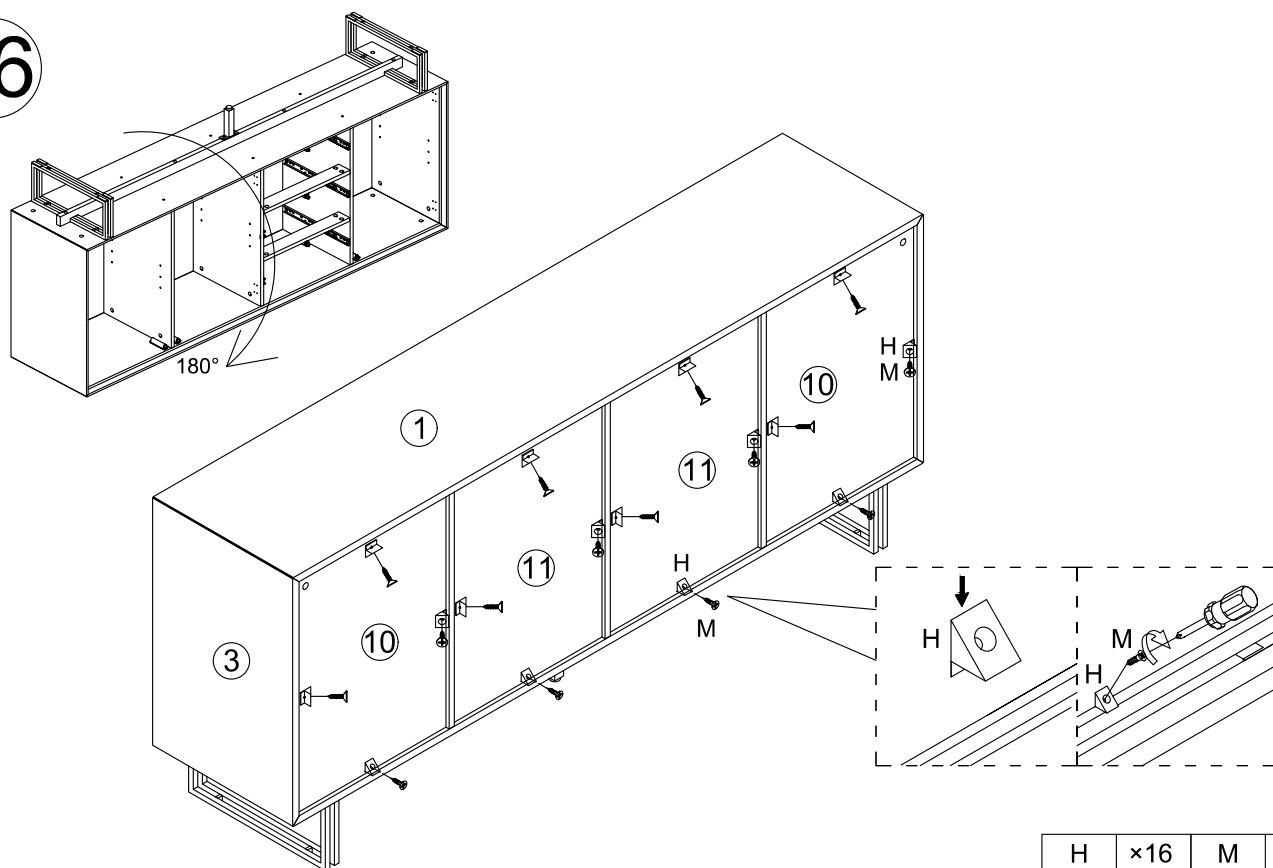
U	x8	V	x1	F	x2
					
50*13*3Tmm		M4		M6*15mm	



15



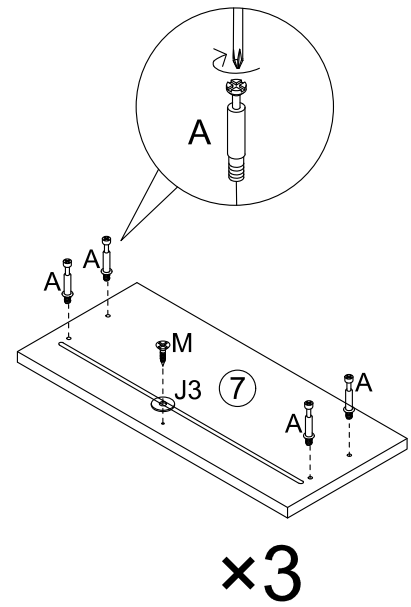
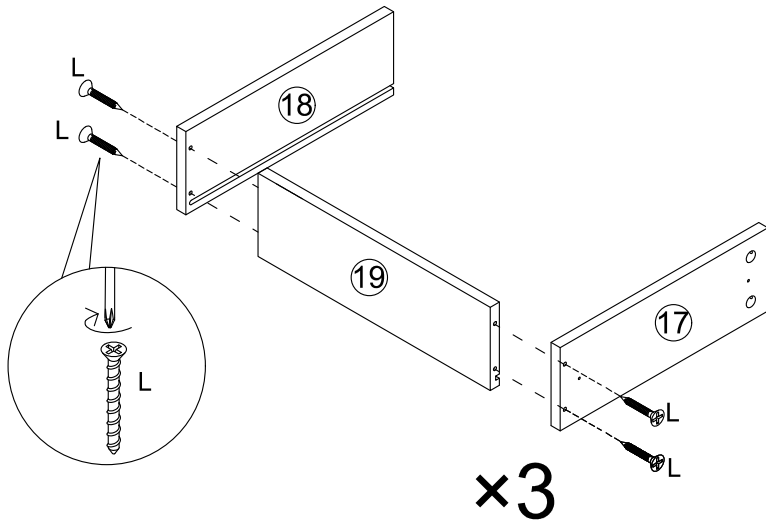
W	×30
	


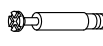

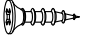
16



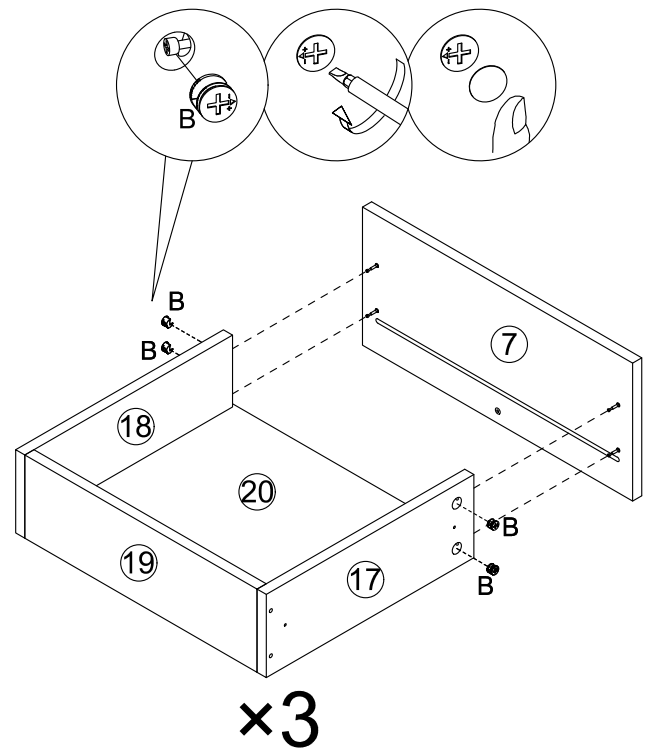
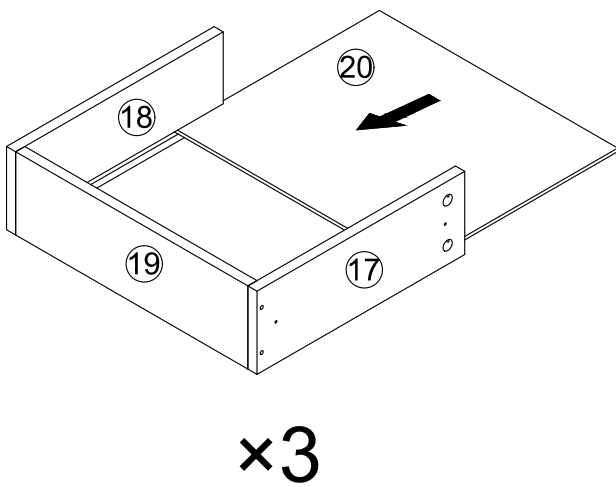
H	×16	M	×16
			
M3.5*14mm			



17



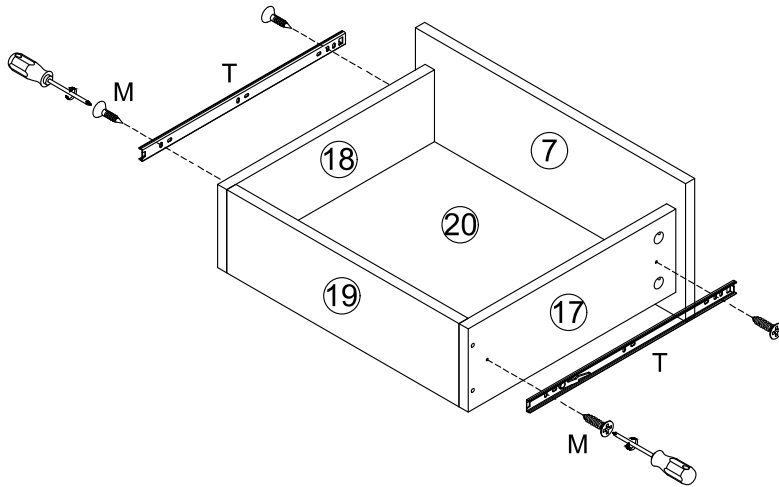
L	×12	A	×12	J	×3	M	×3
							
M4*35mm		M6*35mm				M3.5*14mm	

18

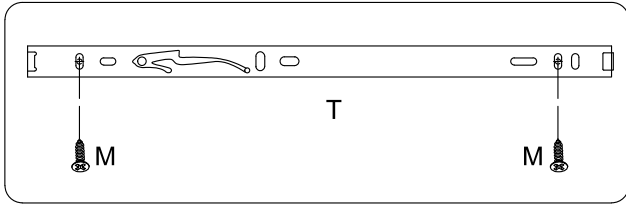



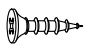
W	×12	B	×12
			
		φ15mm	

19

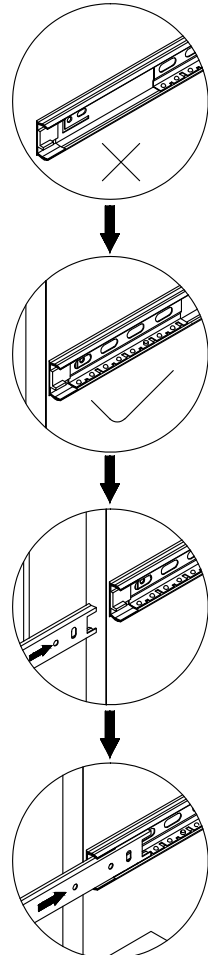
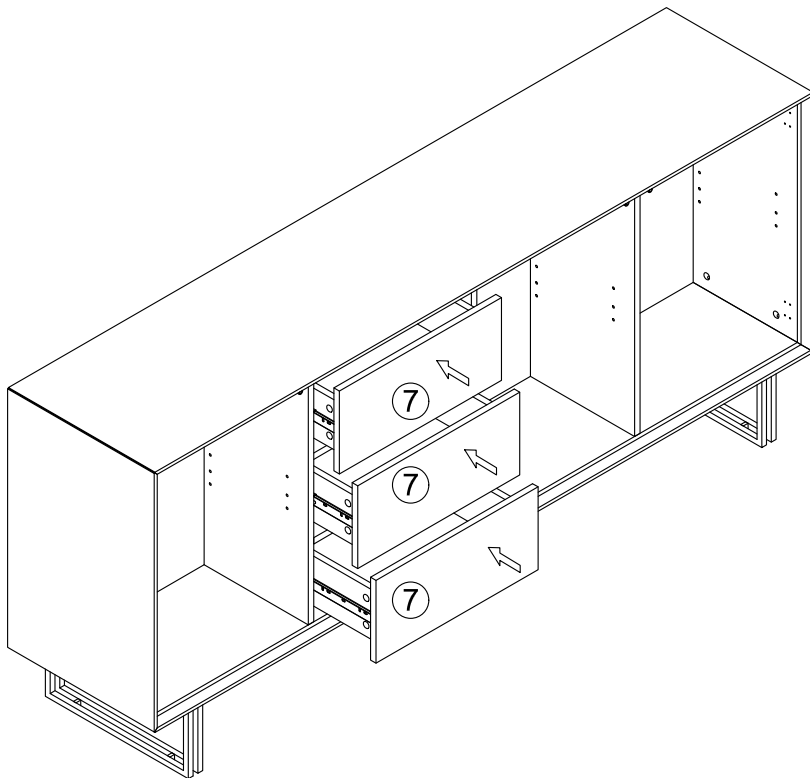


×3

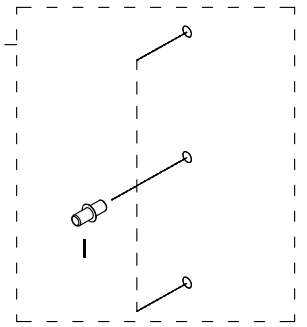
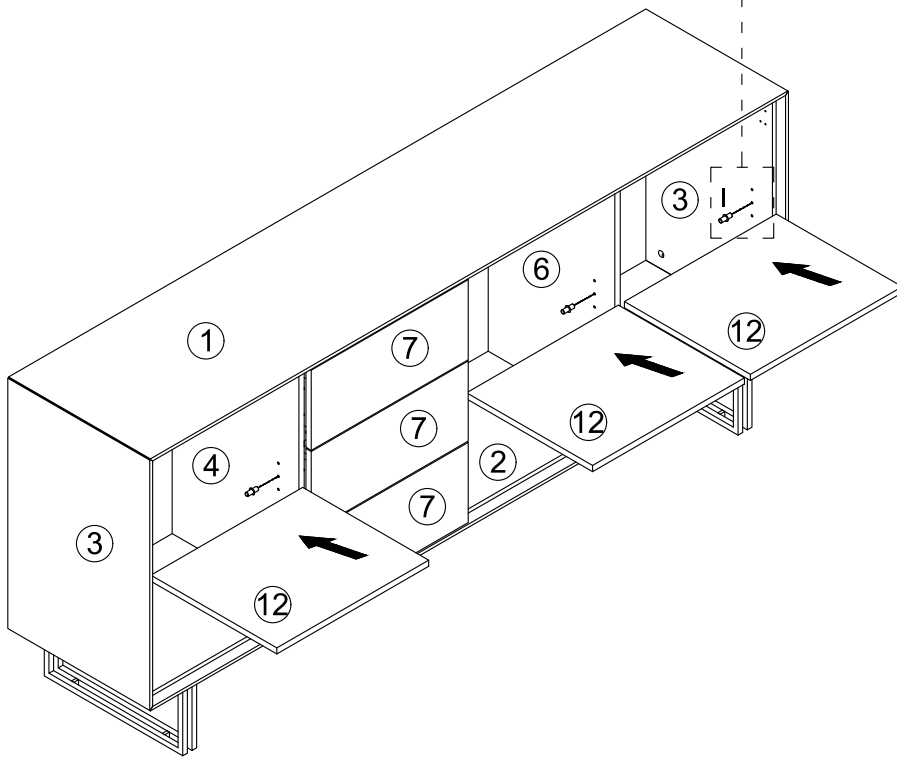



T	×6	M	×12
			
340mm		M3.5*14mm	

20

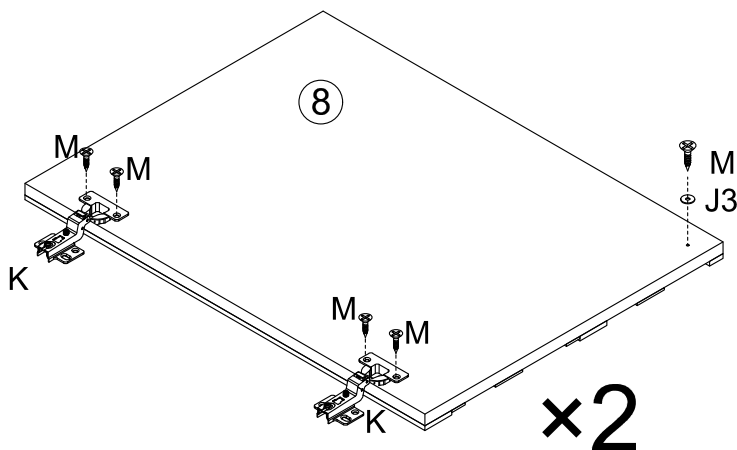
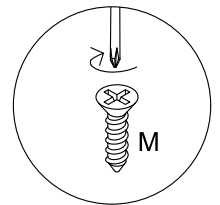
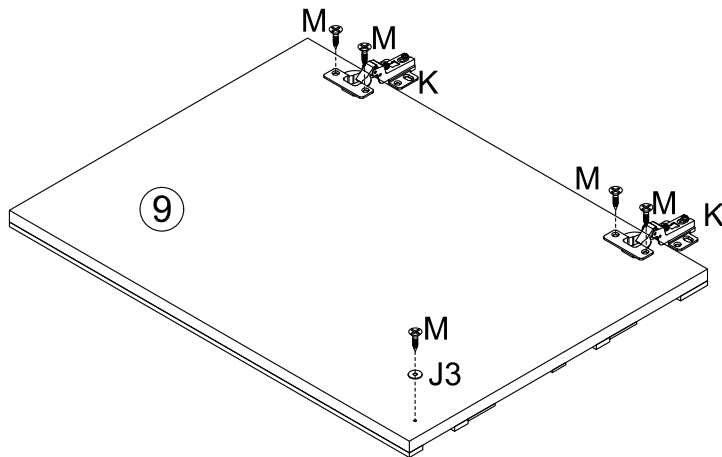


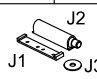

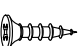
21



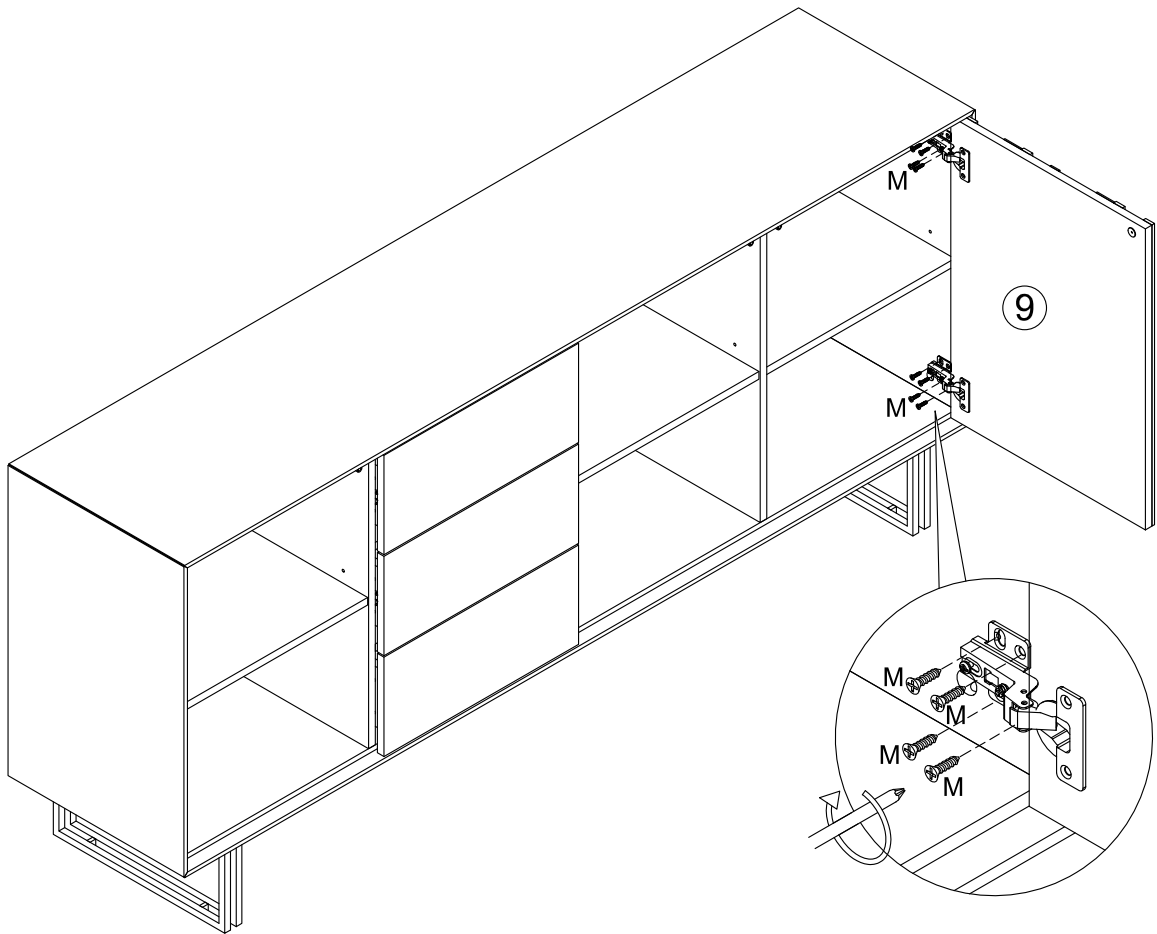
I	x12
	

22

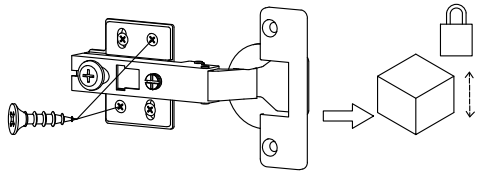


J	x3	K	x6	M	x15
					
			Ø35mm		M3.5*14mm

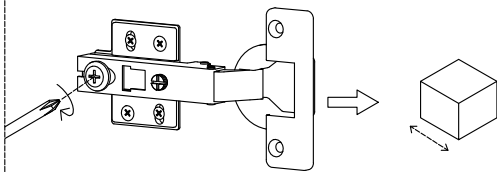
23



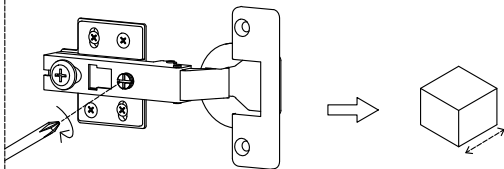
4.



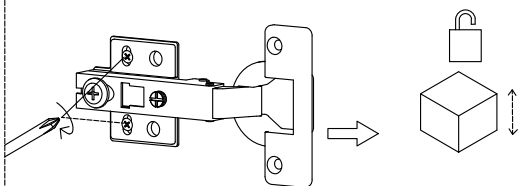
3.

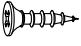


2.

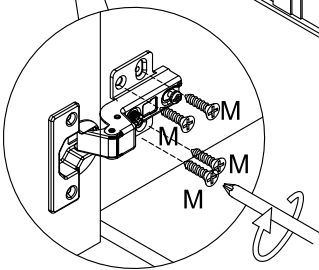
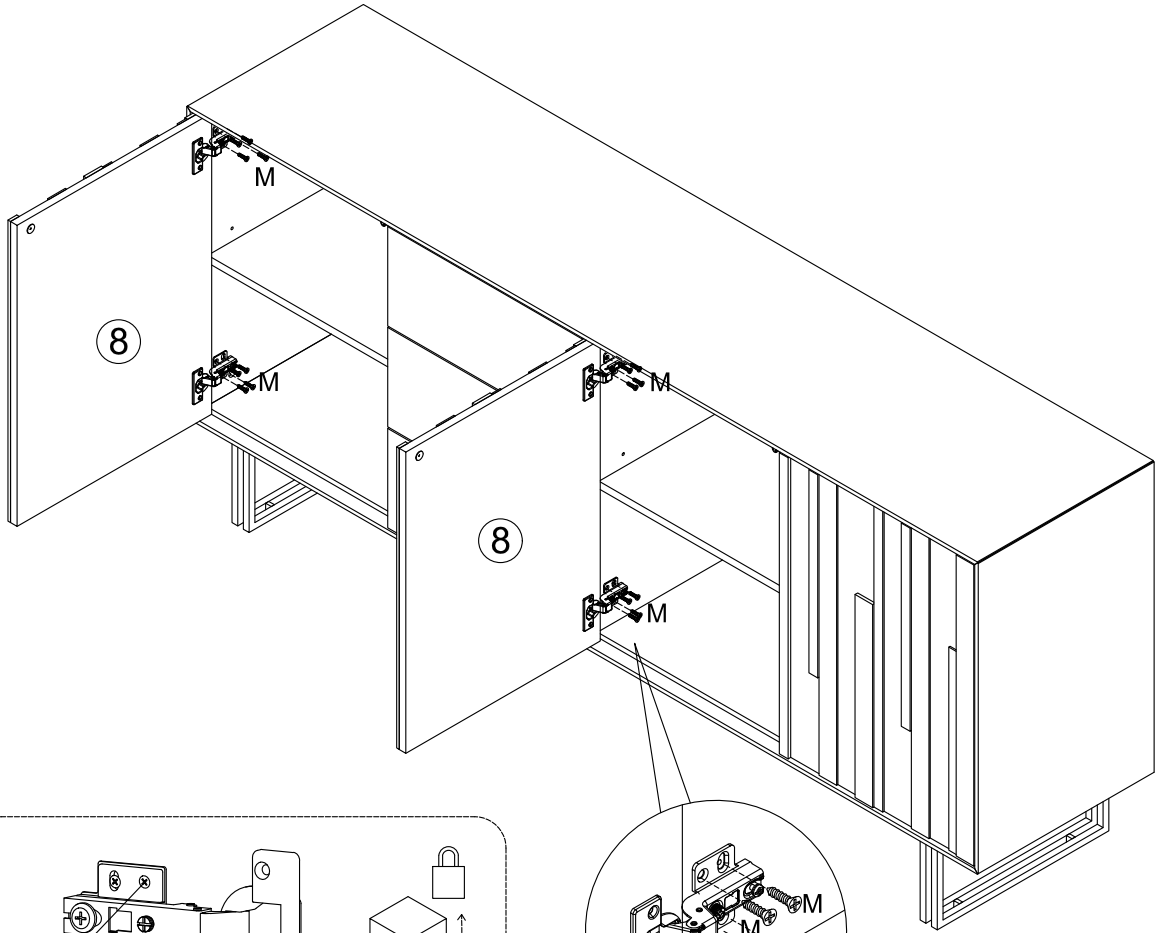


1.

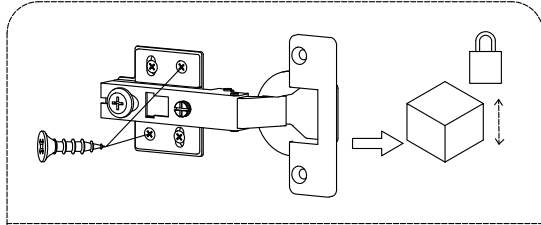


M	×8
	
M3.5*14mm	

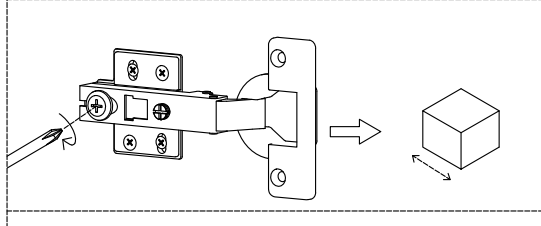
24



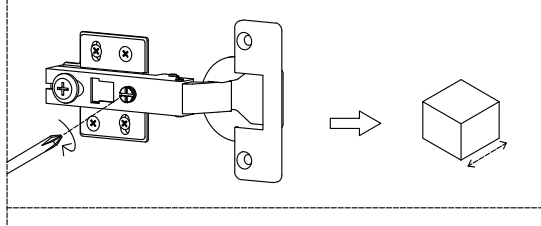
4.



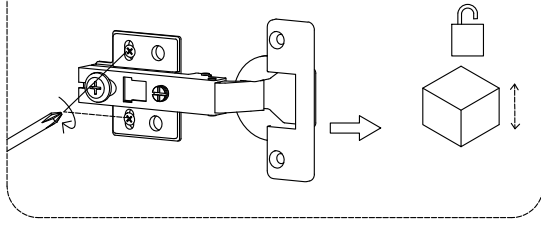
3.

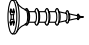


2.

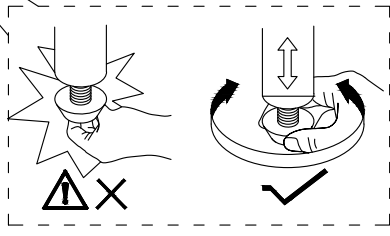
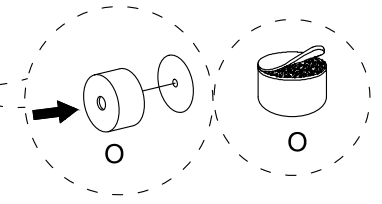
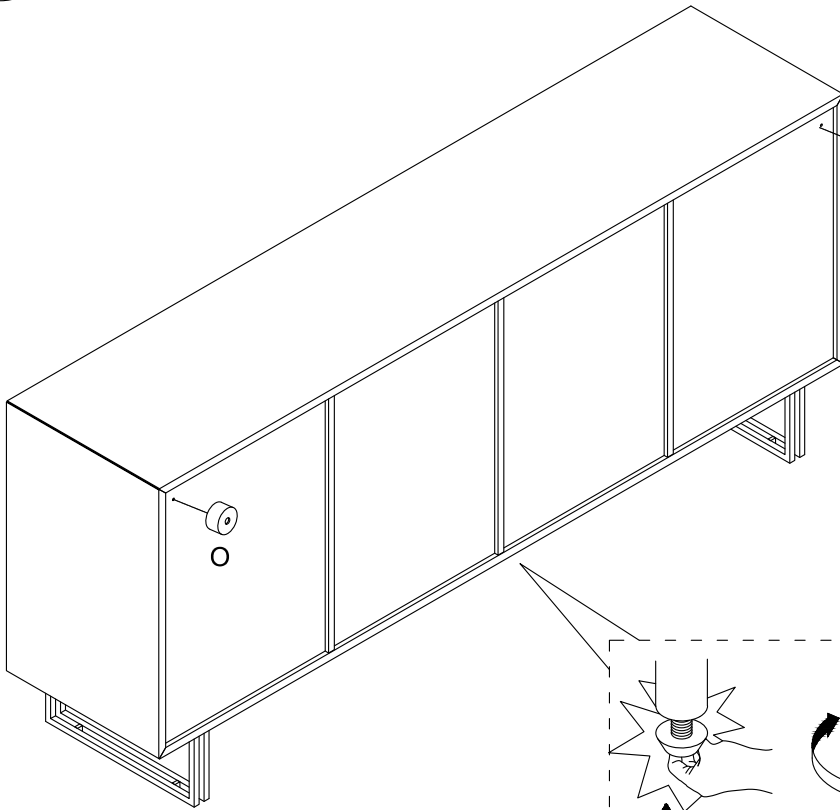


1.



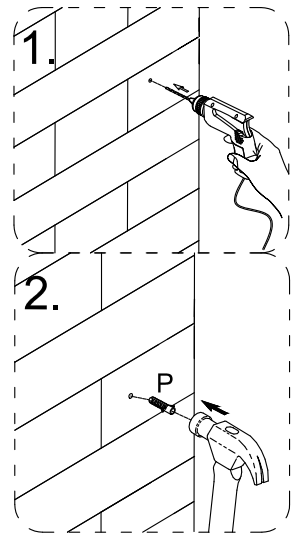
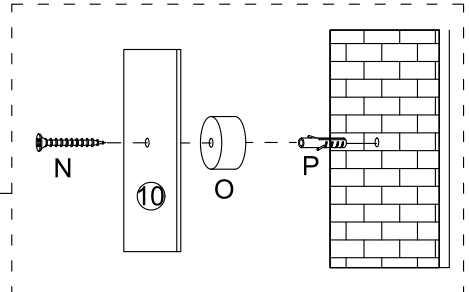
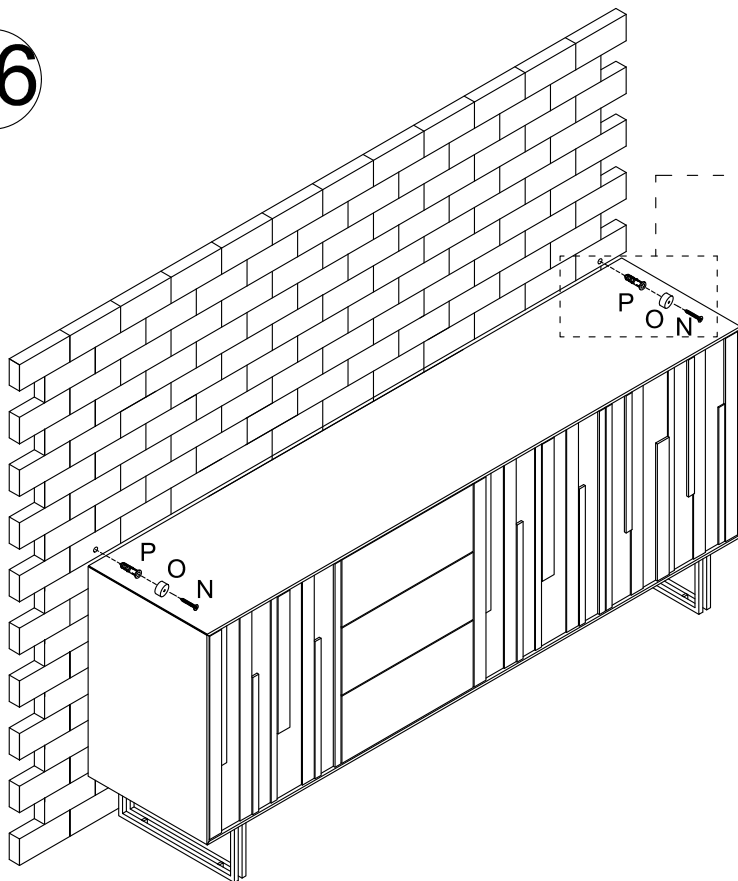
M	×16
	
M3.5*14mm	

25



O	x2
Ø25*12mm	

26



N	x2	P	x2
M4.0*60mm		Ø8*30mm	

27

