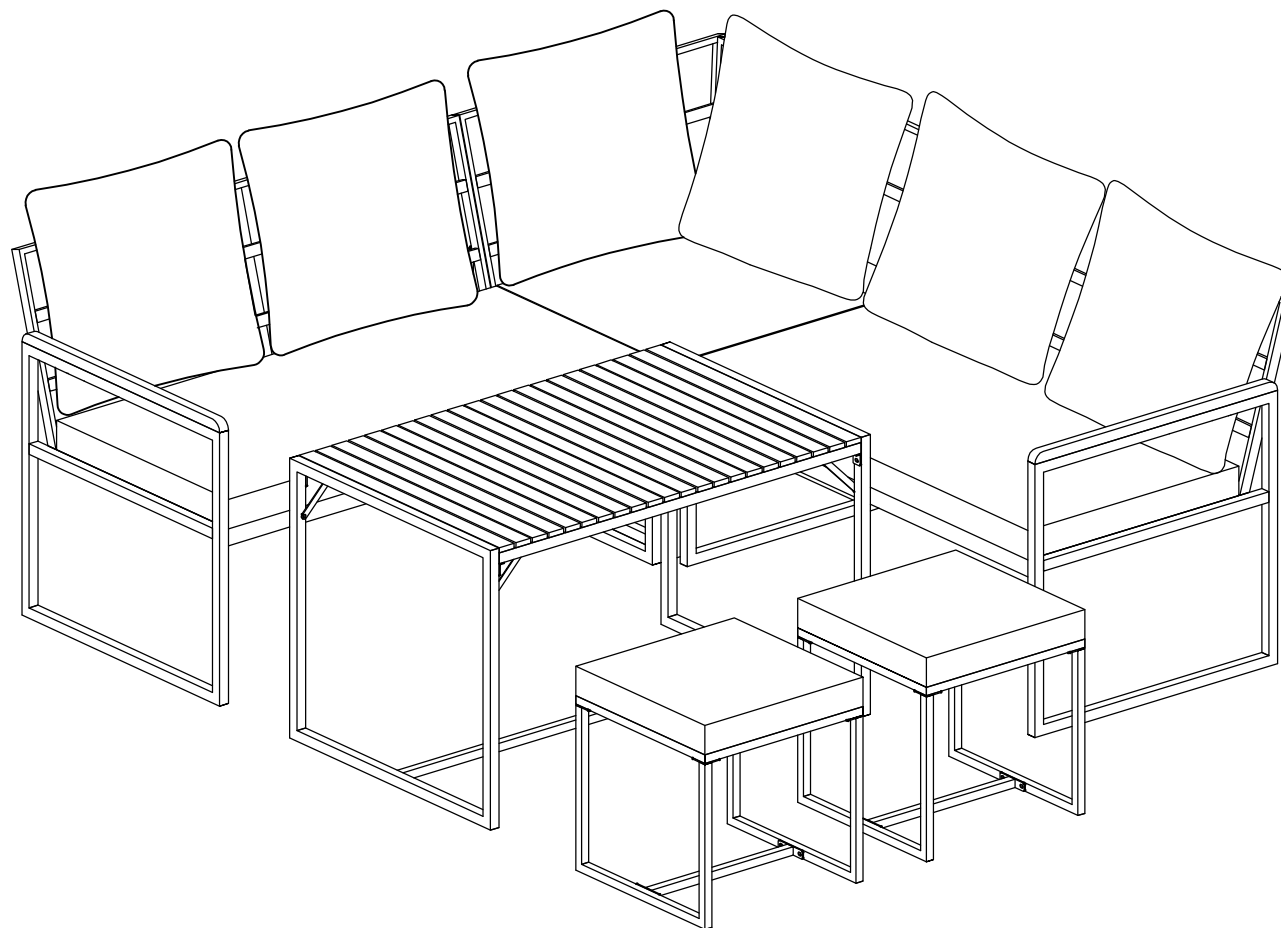
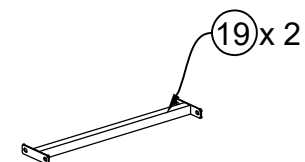
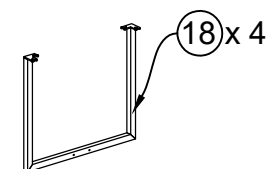
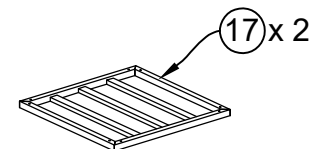
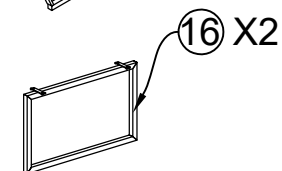
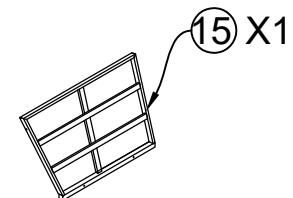
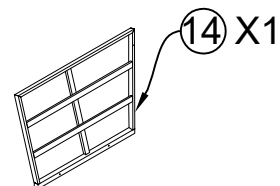
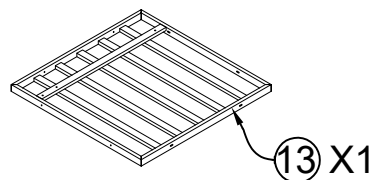
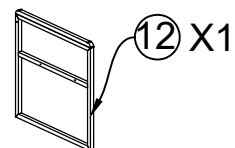
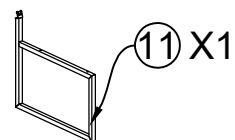
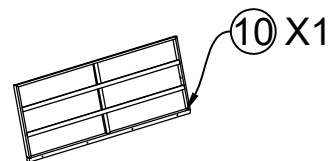
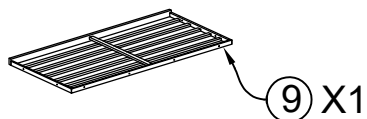
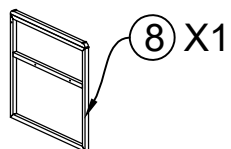
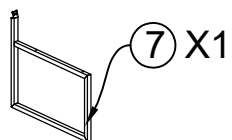
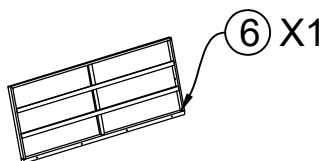
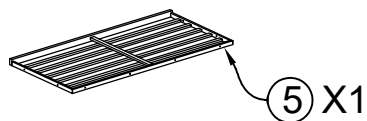
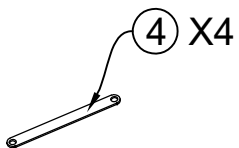
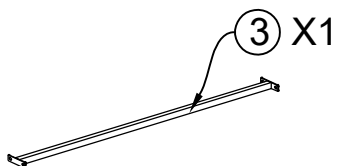
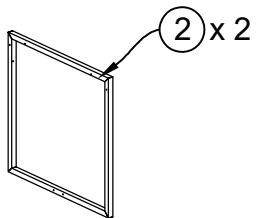
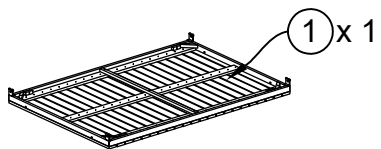








ASSEMBLY INSTRUCTION - 29130018/01



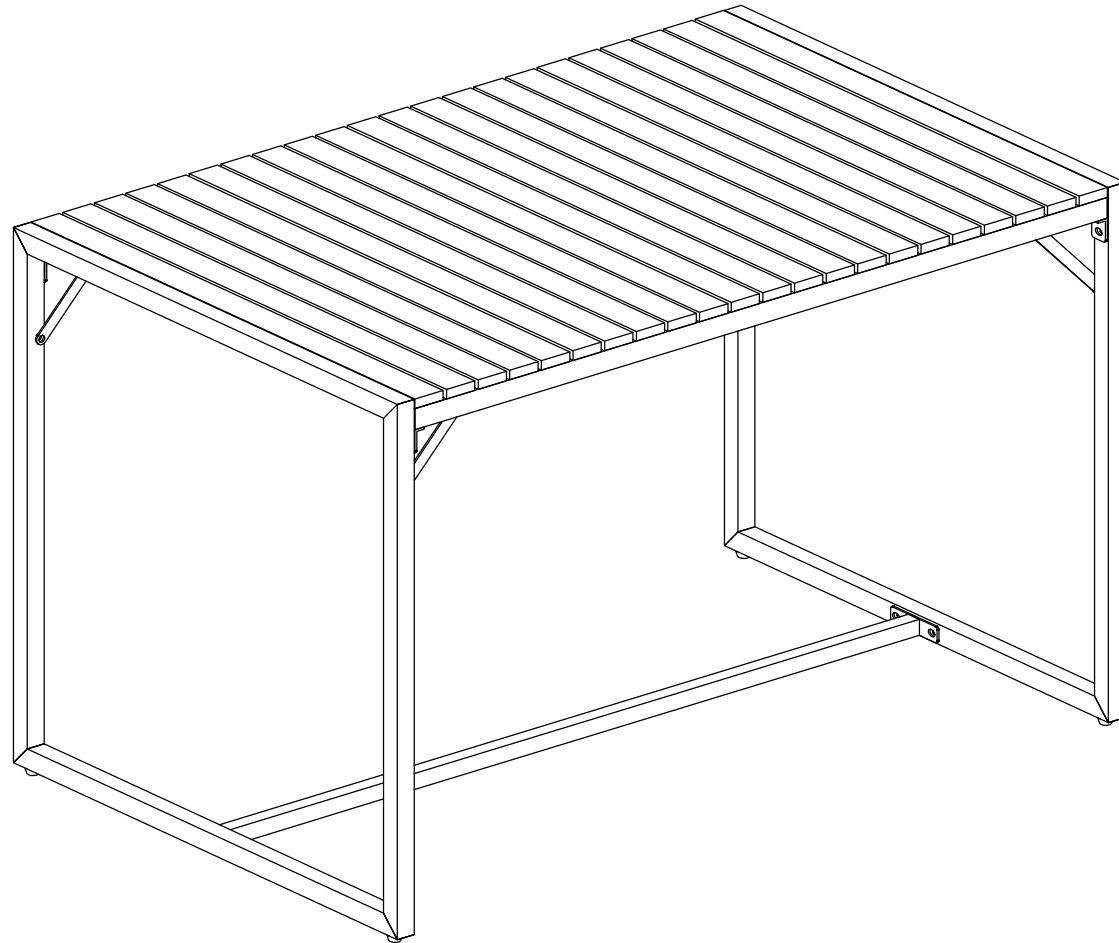
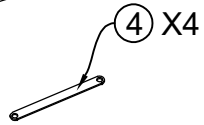
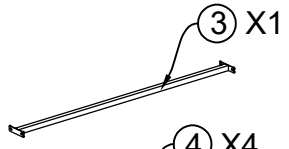
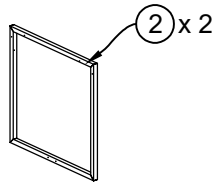
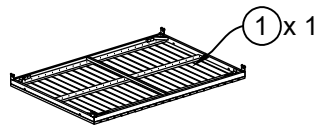
ASSEMBLY INSTRUCTION - 29130018/01








A		x75
B	 M6x15mm	x52
C	 M6x35mm	x27

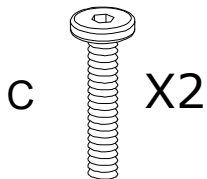
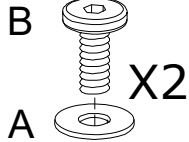
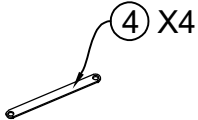
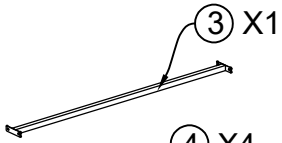
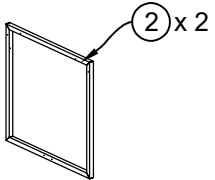
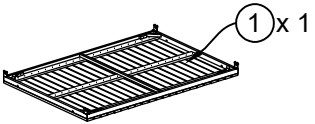
D		x24
E	 4mm	2
F	 M6x25mm	x4






ASSEMBLY INSTRUCTION - 29130018/01

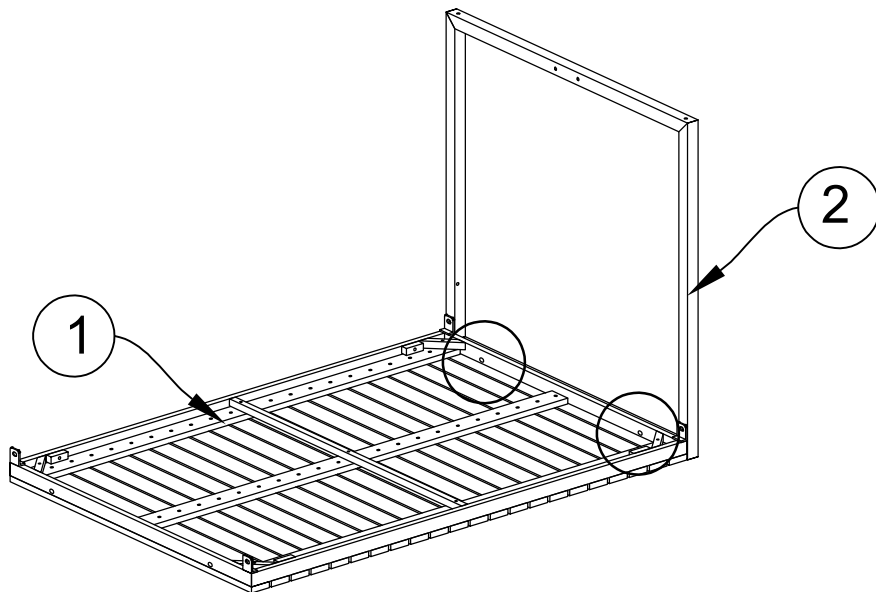
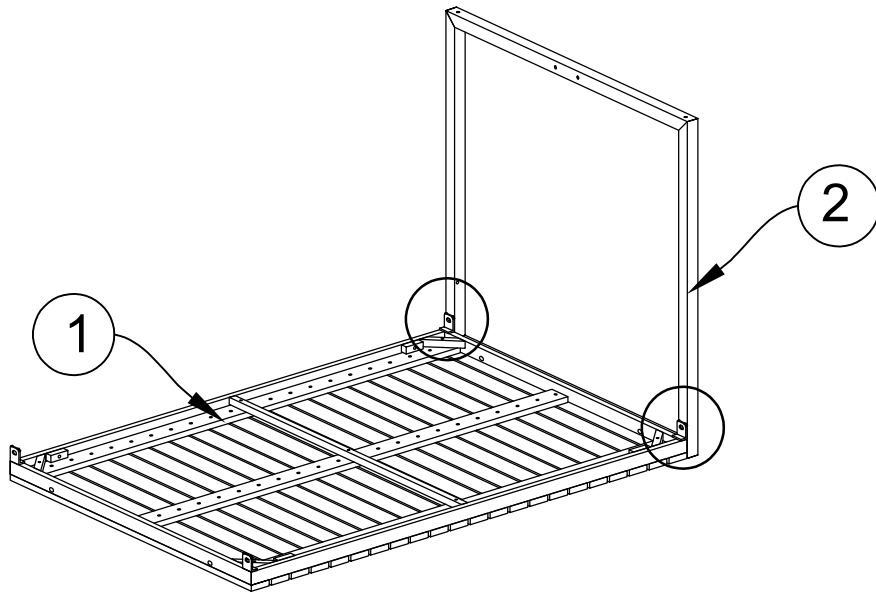


A		x12
B	 M6x15mm	x16
C	 M6x35mm	x4
D		x4
E		x2

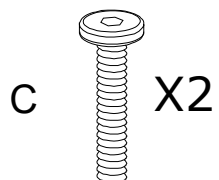
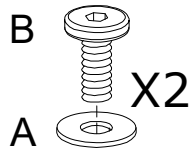
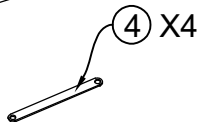
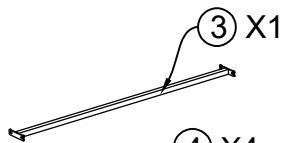
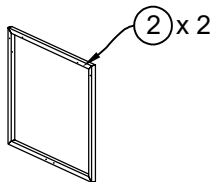
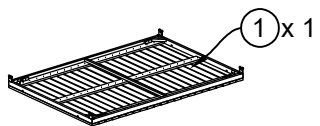
ASSEMBLY INSTRUCTION - 29130018/01



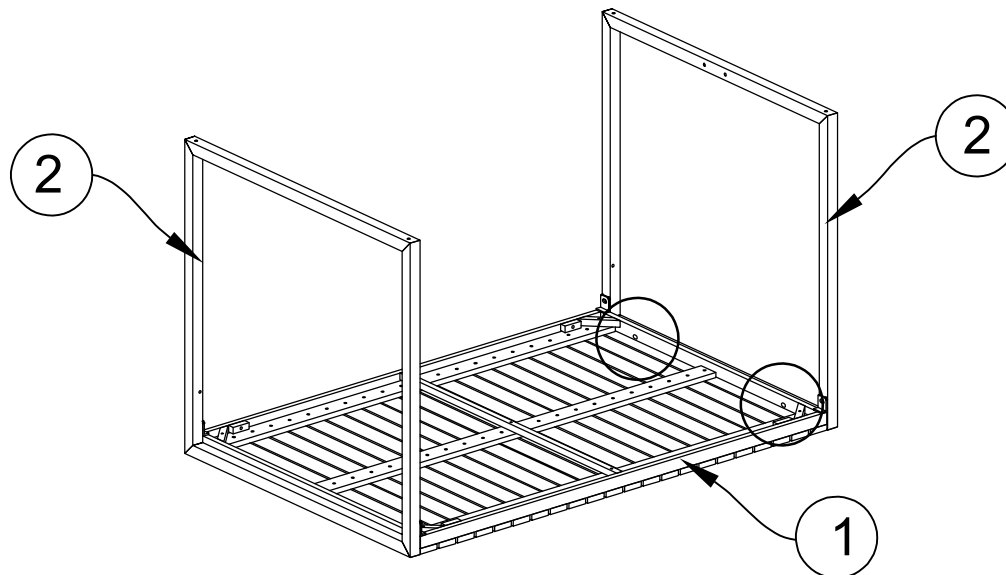
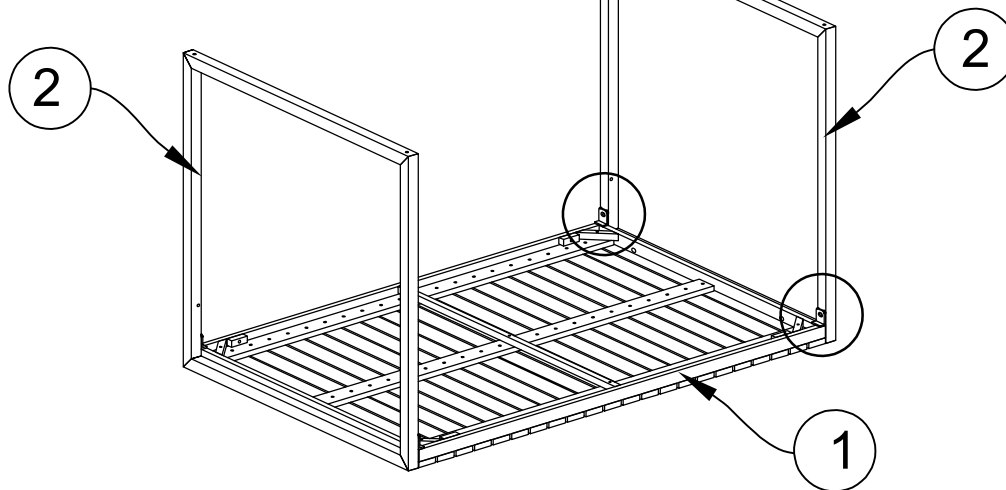
A		x12
B	 M6x15mm	x16
C	 M6x35mm	x4
D		x4
E		x2



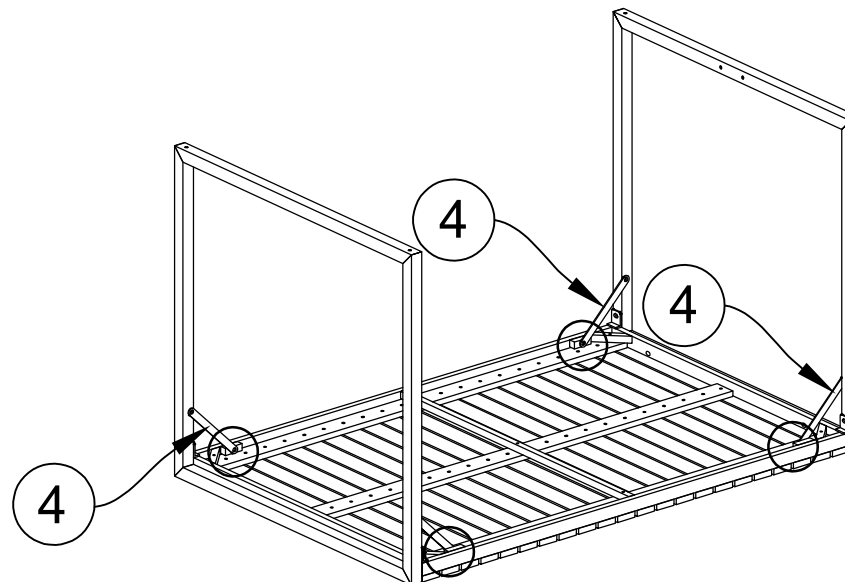
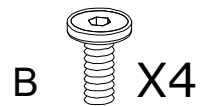
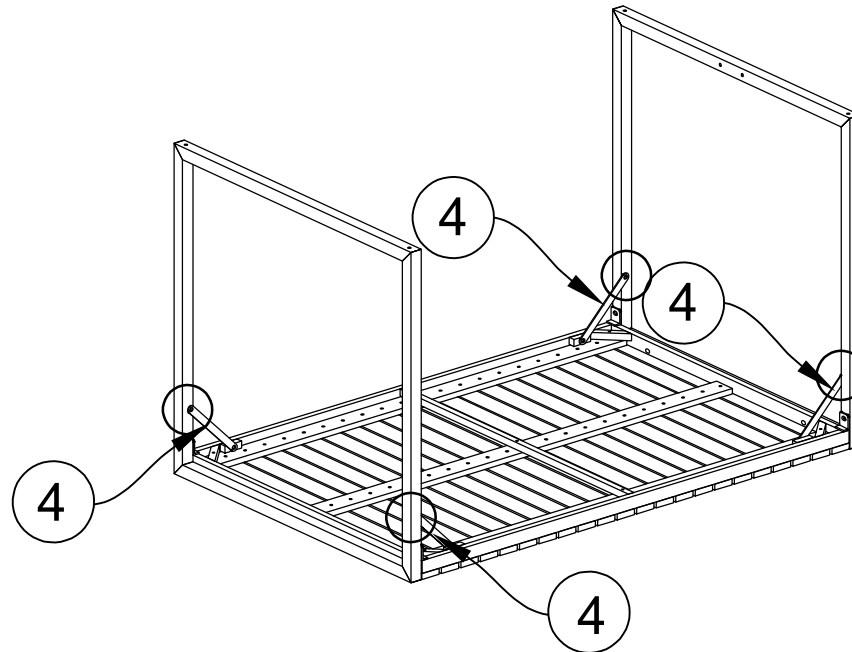
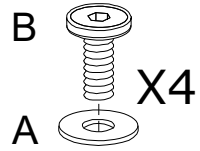
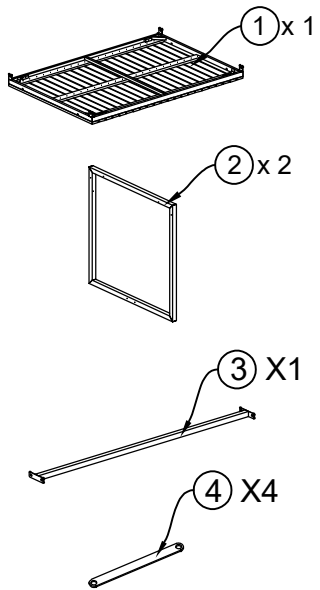
ASSEMBLY INSTRUCTION - 29130018/01



A		x12
B	M6x15mm	x16
C	M6x35mm	x4
D		x4
E		x2

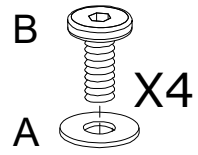
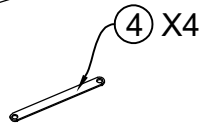
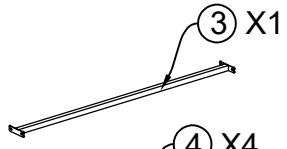
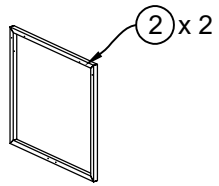
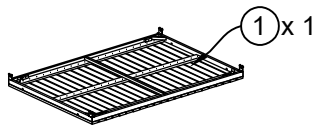


ASSEMBLY INSTRUCTION - 29130018/01

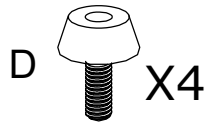
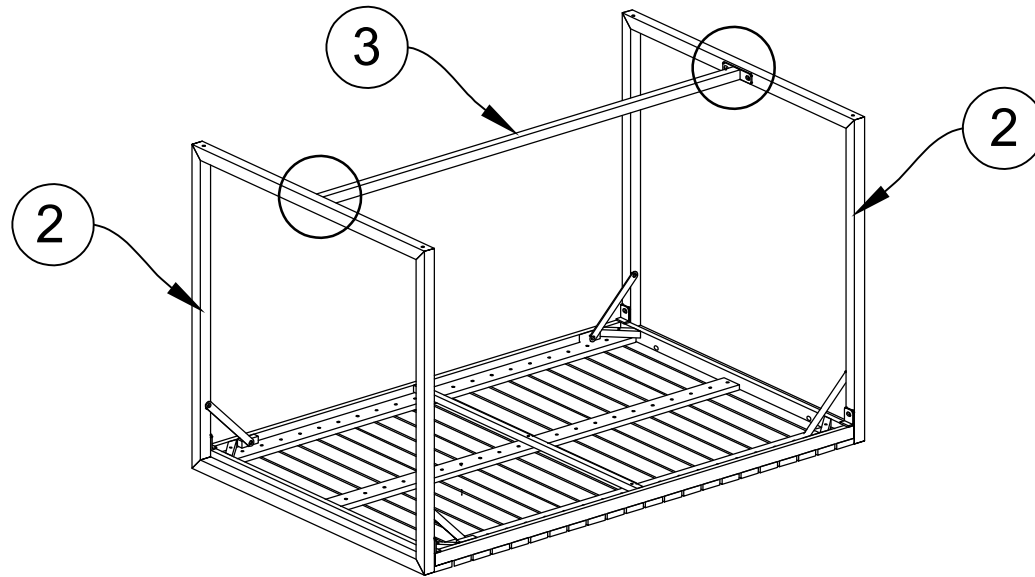


A		x12
B	M6x15mm	x16
C	M6x35mm	x4
D		x4
E		x2

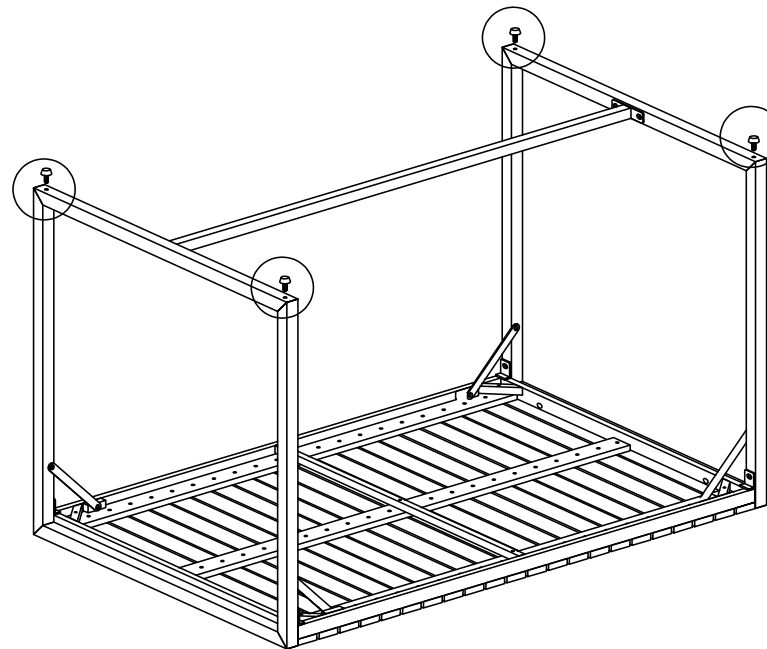
ASSEMBLY INSTRUCTION - 29130018/01








A

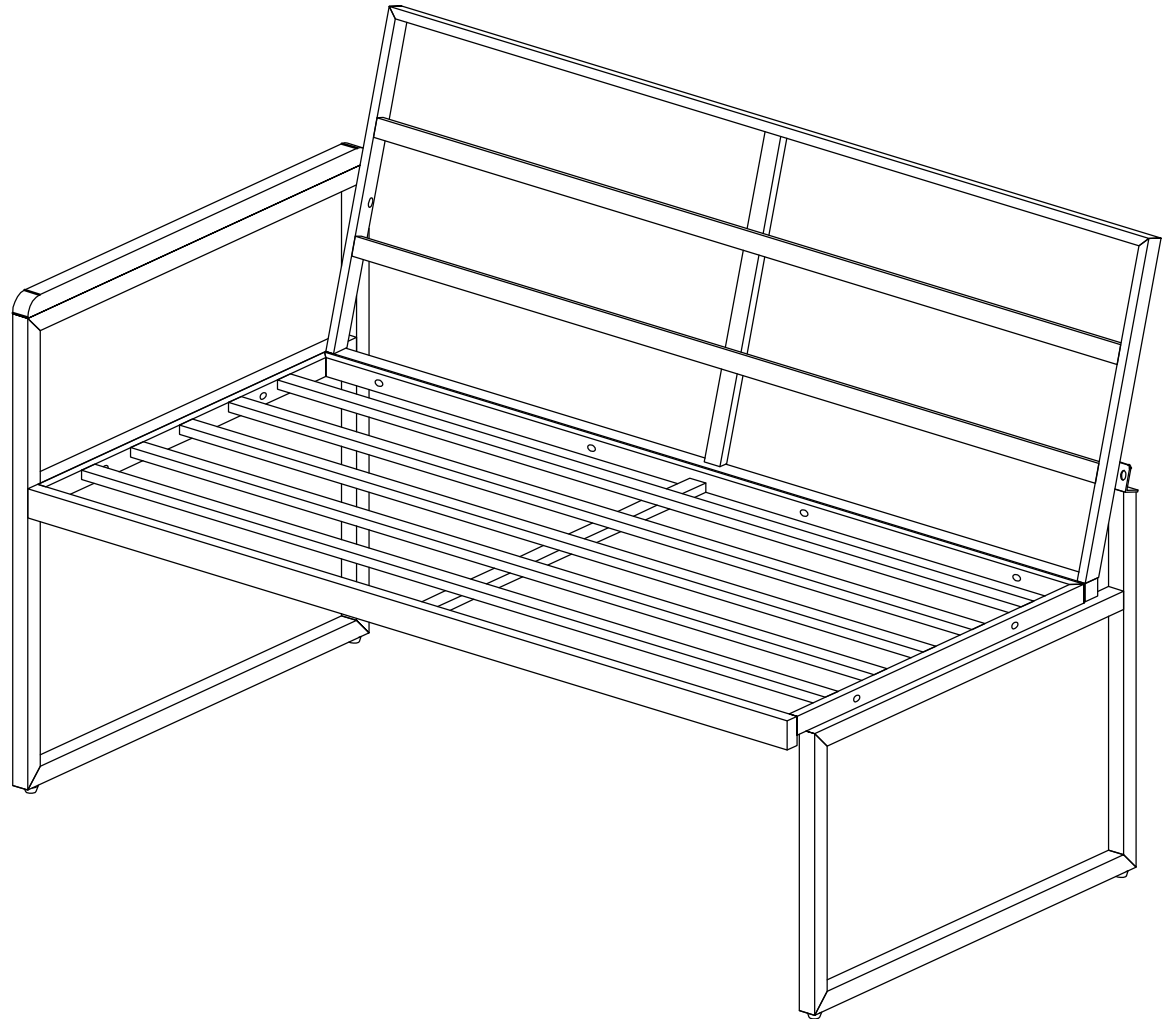
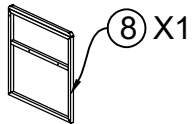
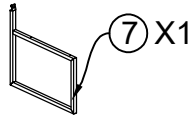
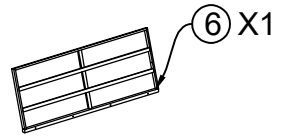
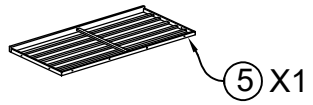







D



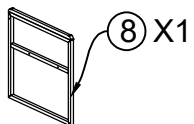
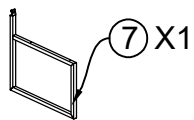
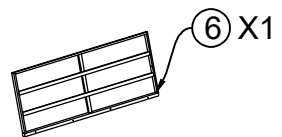
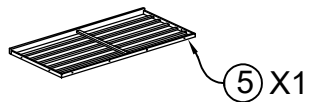
A		x12
B	 M6x15mm	x16
C	 M6x35mm	x4
D		x4
E		x2






ASSEMBLY INSTRUCTION - 29130018/01

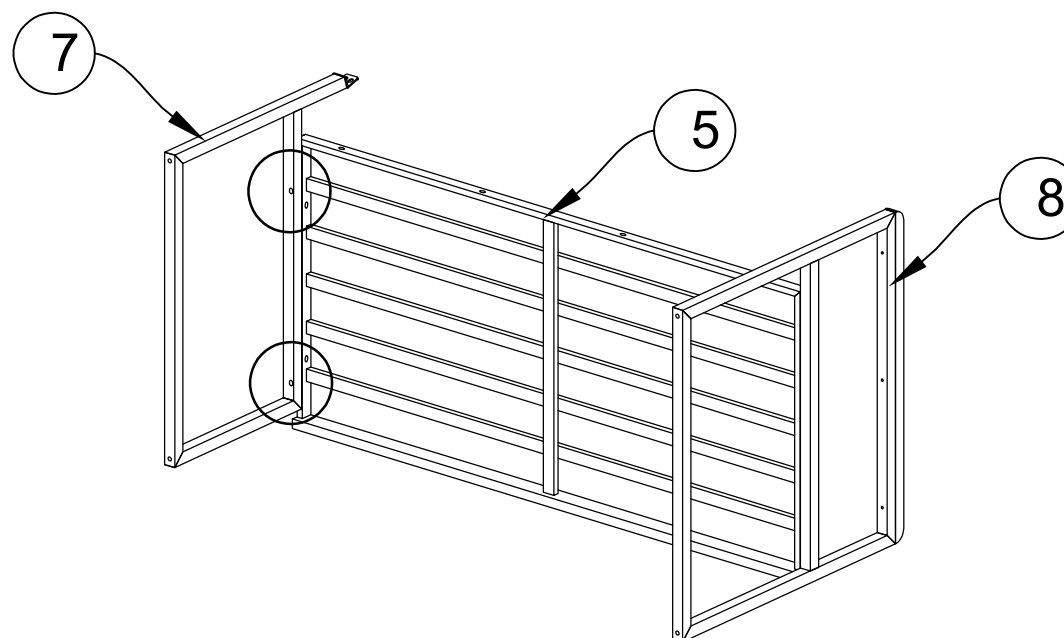
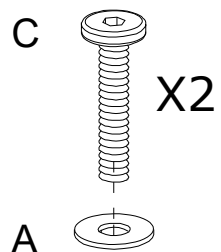
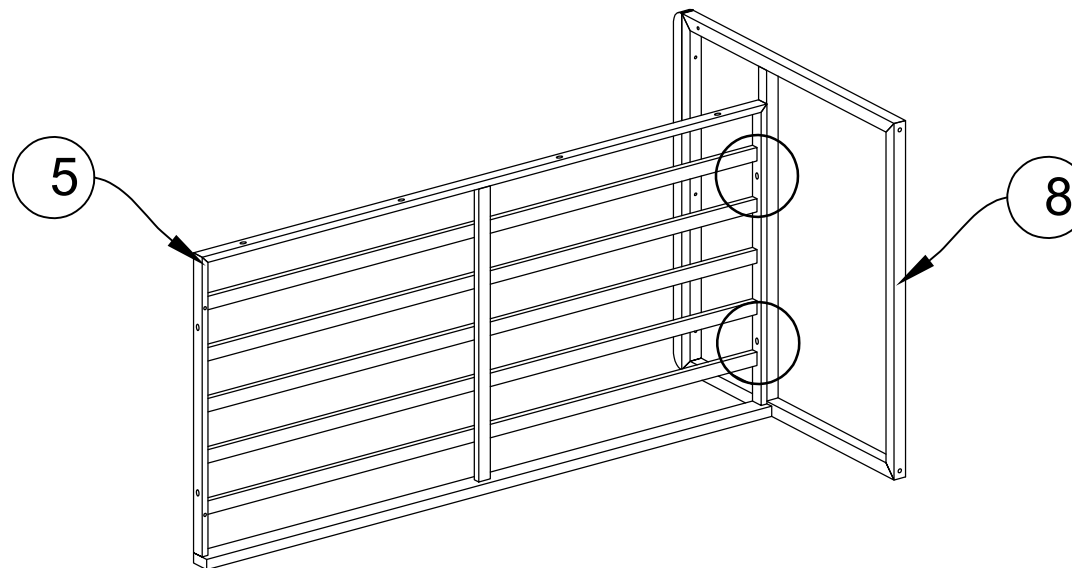
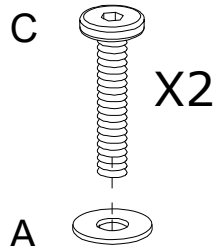


A		x10
B	 M6x15mm	x1
C	 M6x35mm	x9
D		x4
E		x2

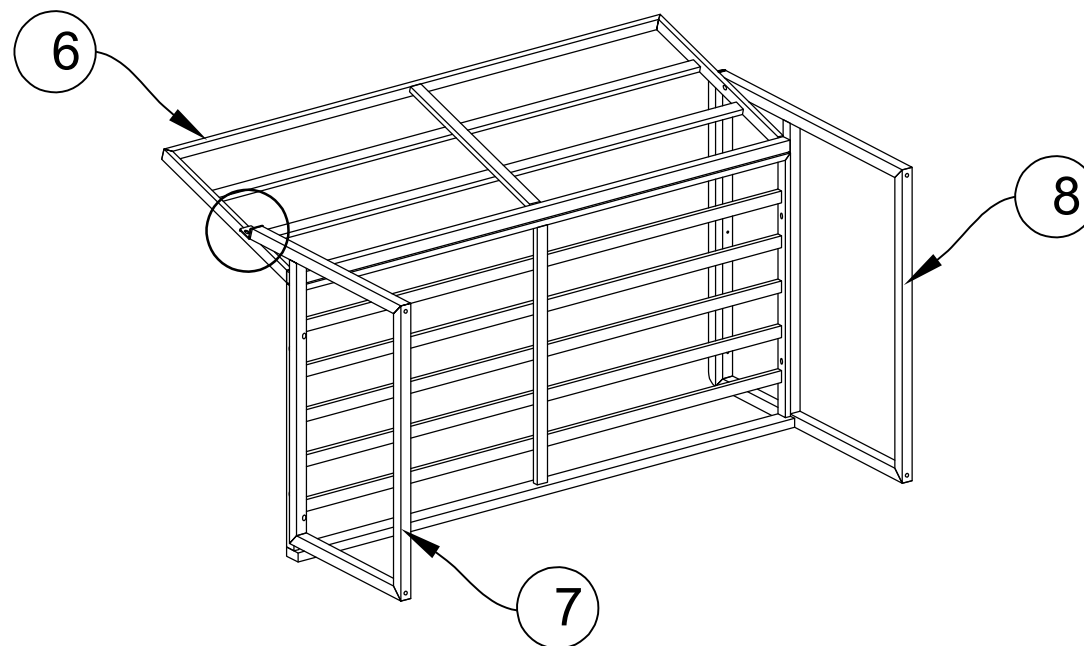
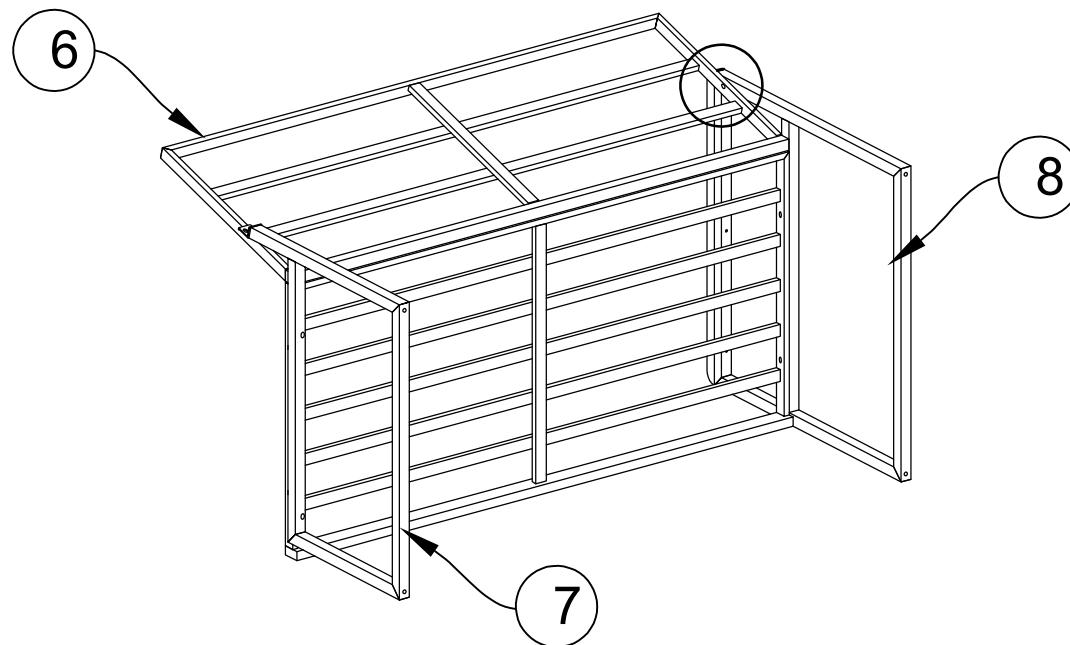
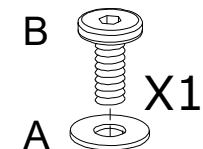
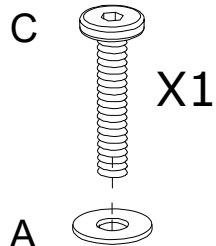
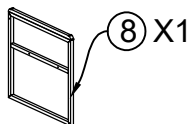
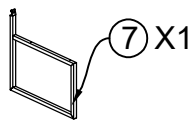
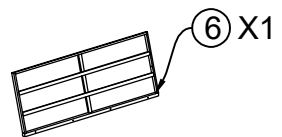
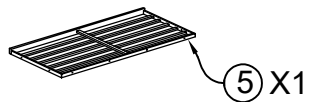
ASSEMBLY INSTRUCTION - 29130018/01



A		x10
B	 M6x15mm	x1
C	 M6x35mm	x9
D		x4
E		x2

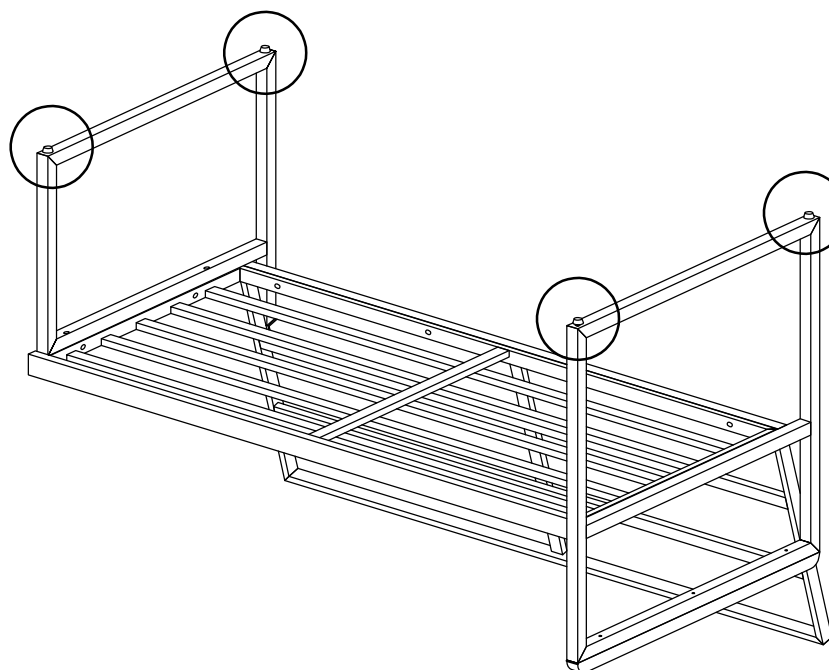
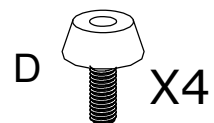
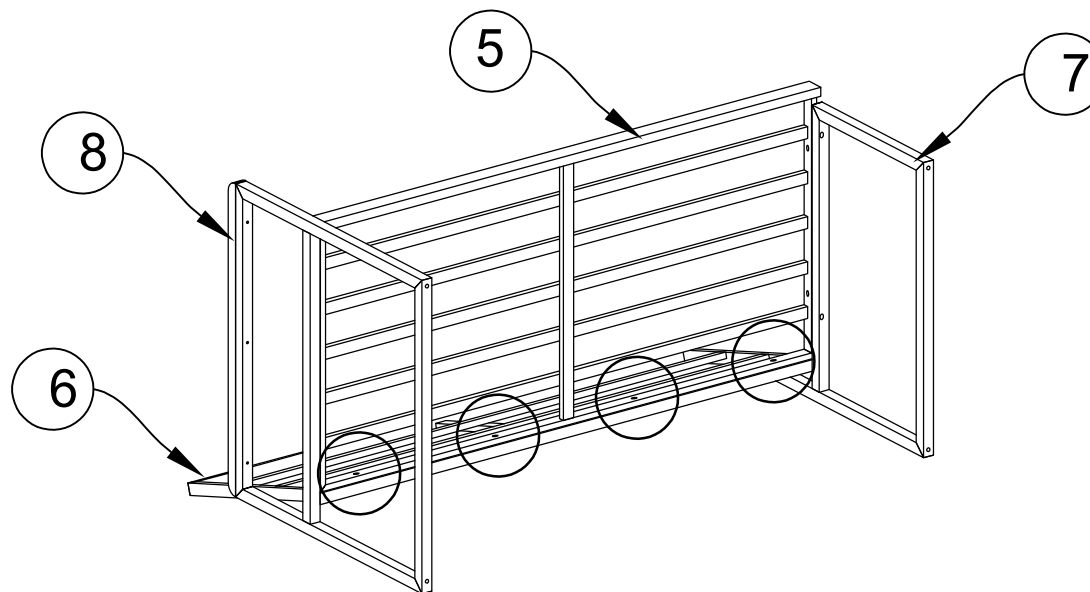
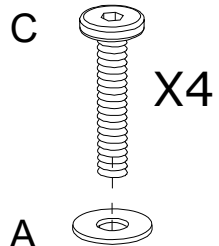
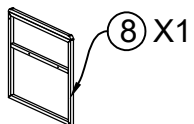
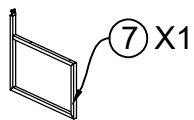
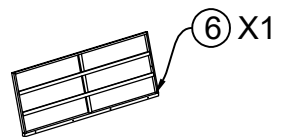
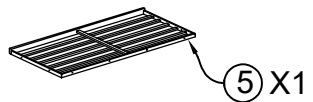







ASSEMBLY INSTRUCTION - 29130018/01



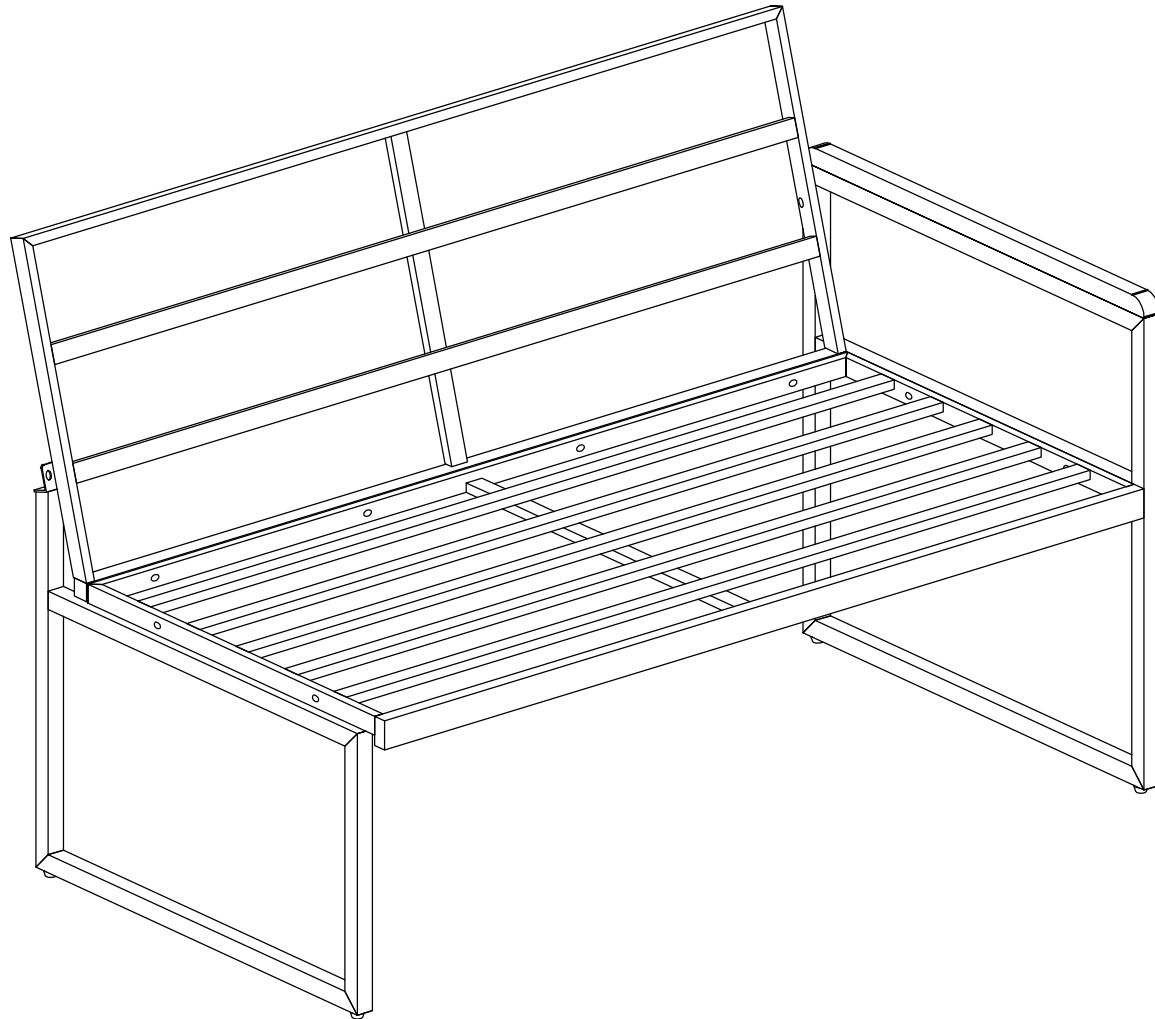
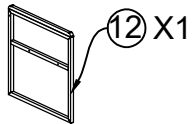
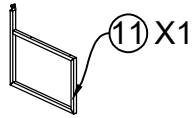
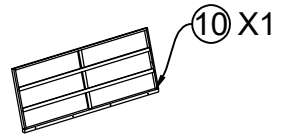
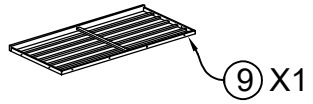
A		x10
B	M6x15mm	x1
C	M6x35mm	x9
D		x4
E		x2






ASSEMBLY INSTRUCTION - 29130018/01



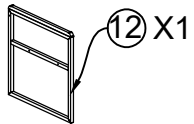
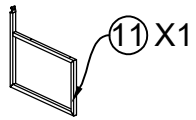
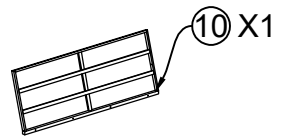
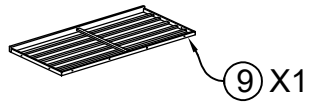
A		x10
B	 M6x15mm	x1
C	 M6x35mm	x9
D		x4
E		x2






ASSEMBLY INSTRUCTION - 29130018/01

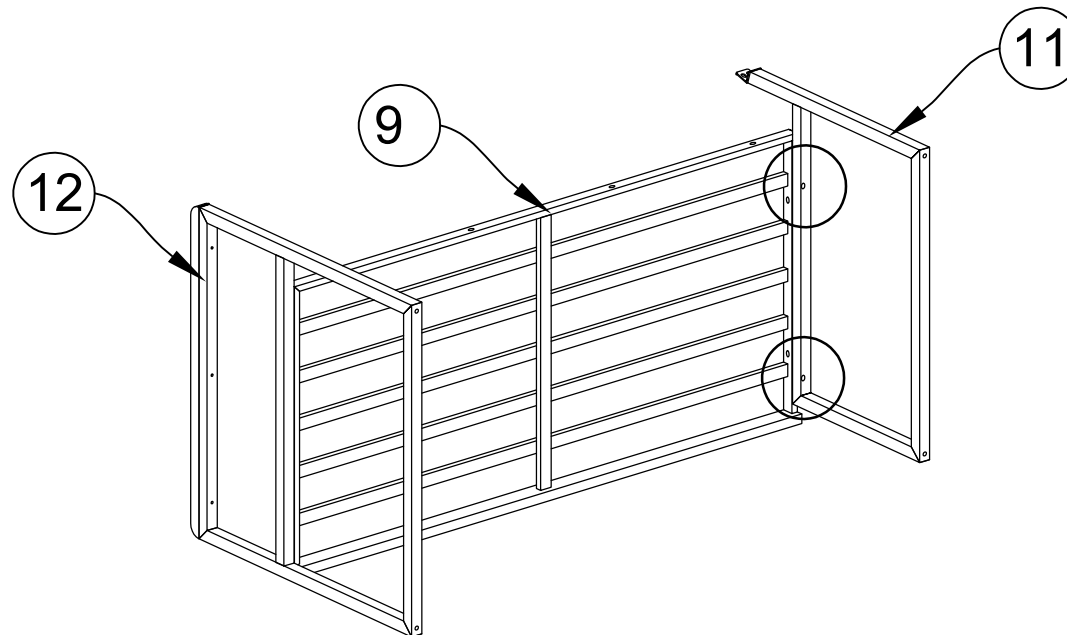
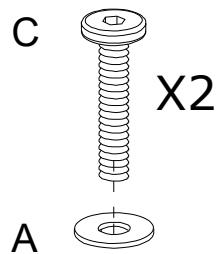
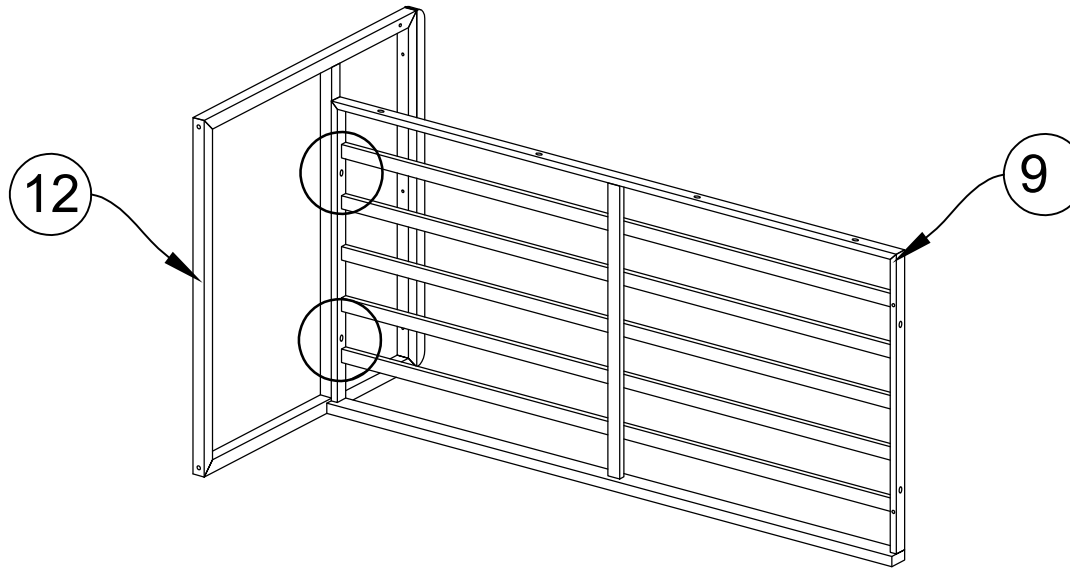
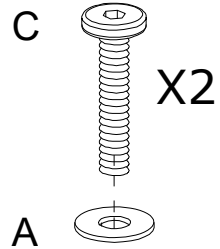


A		x10
B	 M6x15mm	x1
C	 M6x35mm	x9
D		x4
E		x2

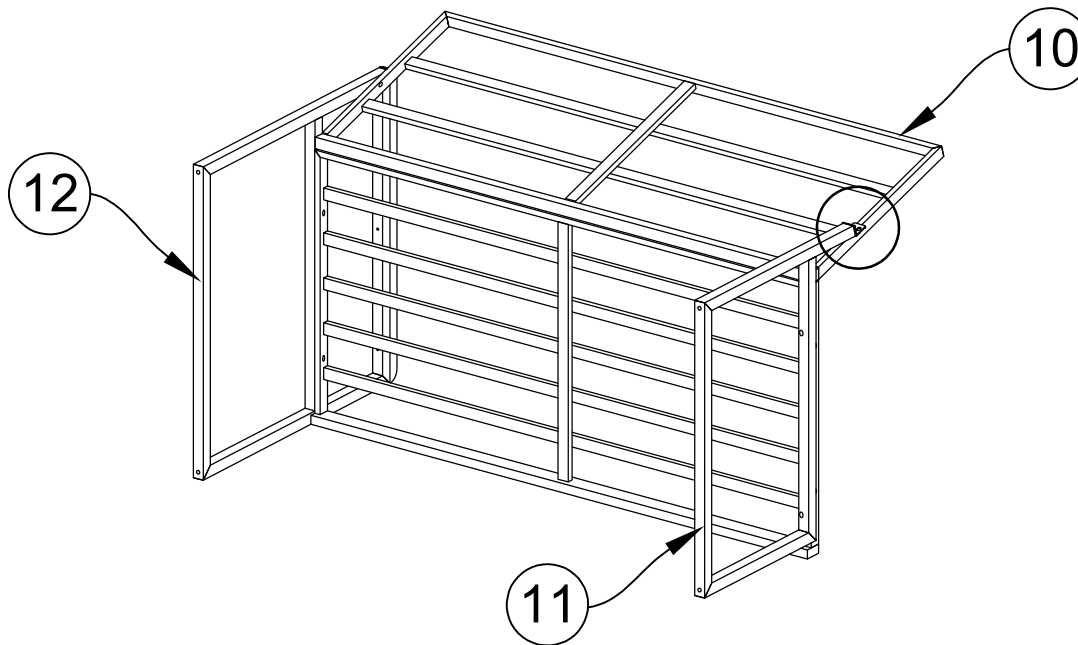
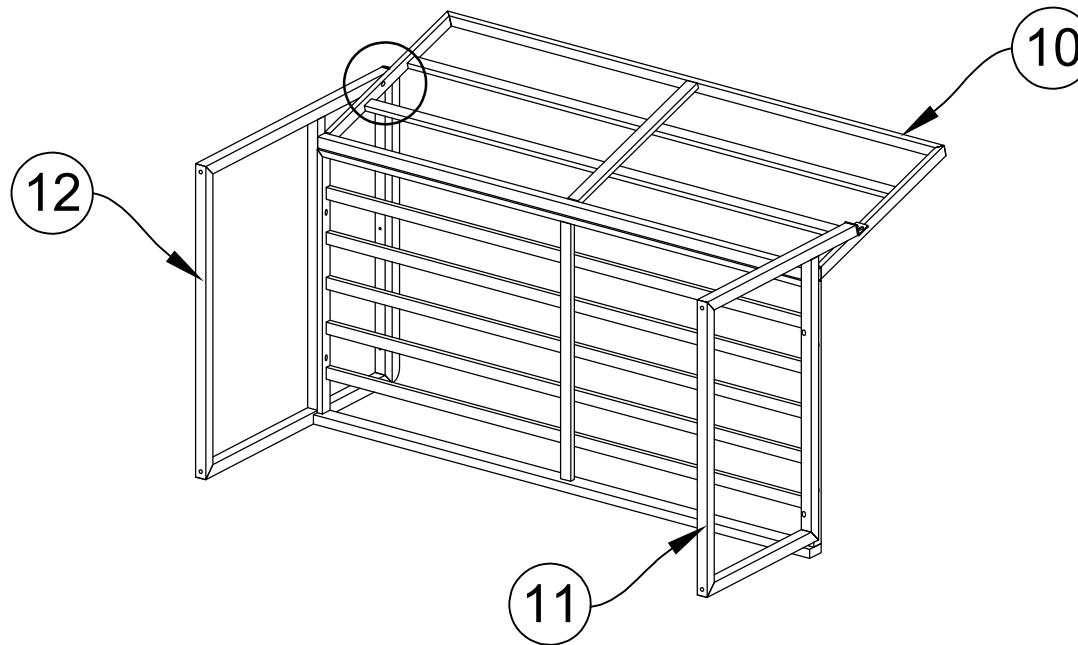
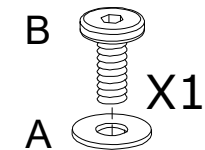
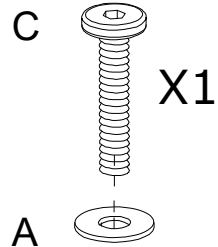
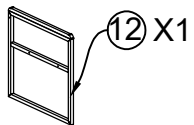
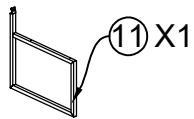
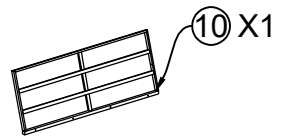
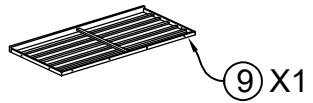
ASSEMBLY INSTRUCTION - 29130018/01








A		x10
B	 M6x15mm	x1
C	 M6x35mm	x9
D		x4
E		x2

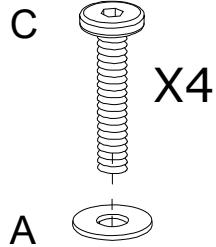
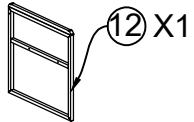
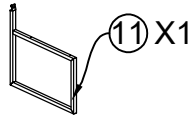
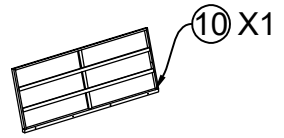
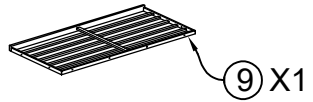


ASSEMBLY INSTRUCTION - 29130018/01

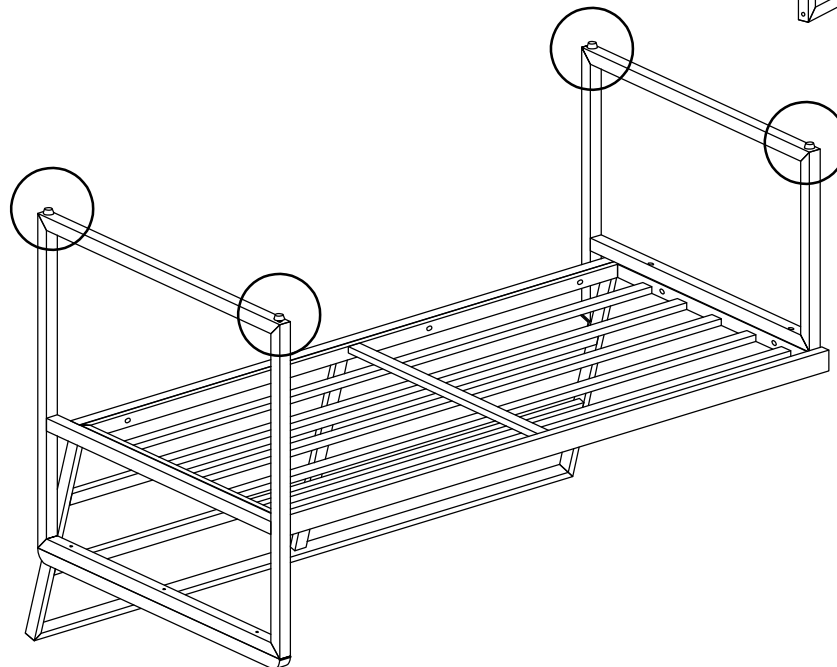
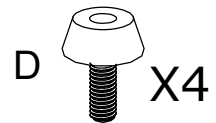
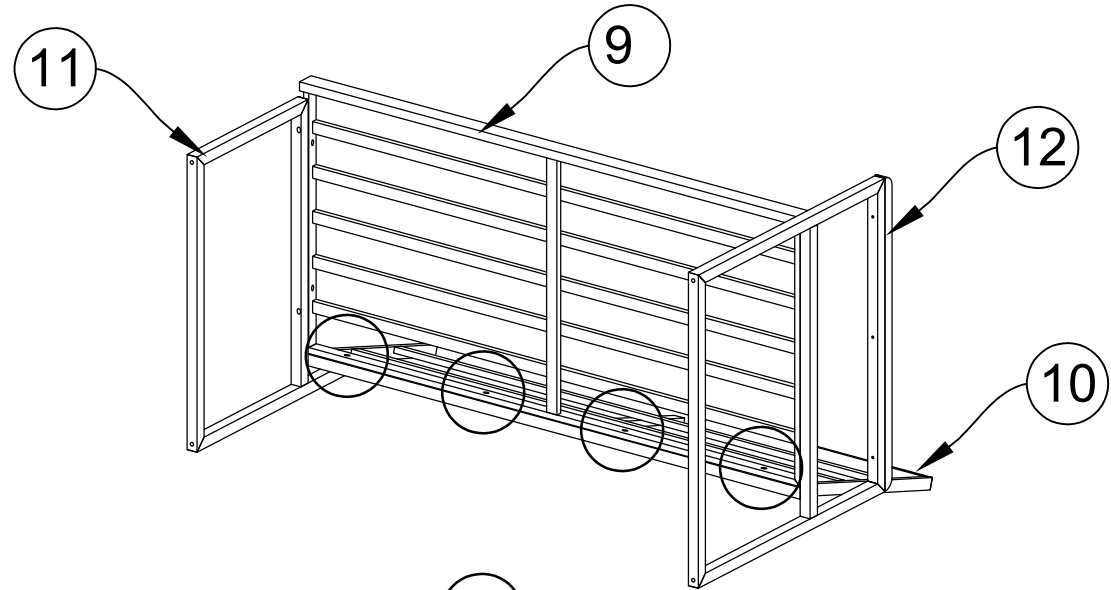


A		x10
B	 M6x15mm	x1
C	 M6x35mm	x9
D		x4
E		x2

ASSEMBLY INSTRUCTION - 29130018/01

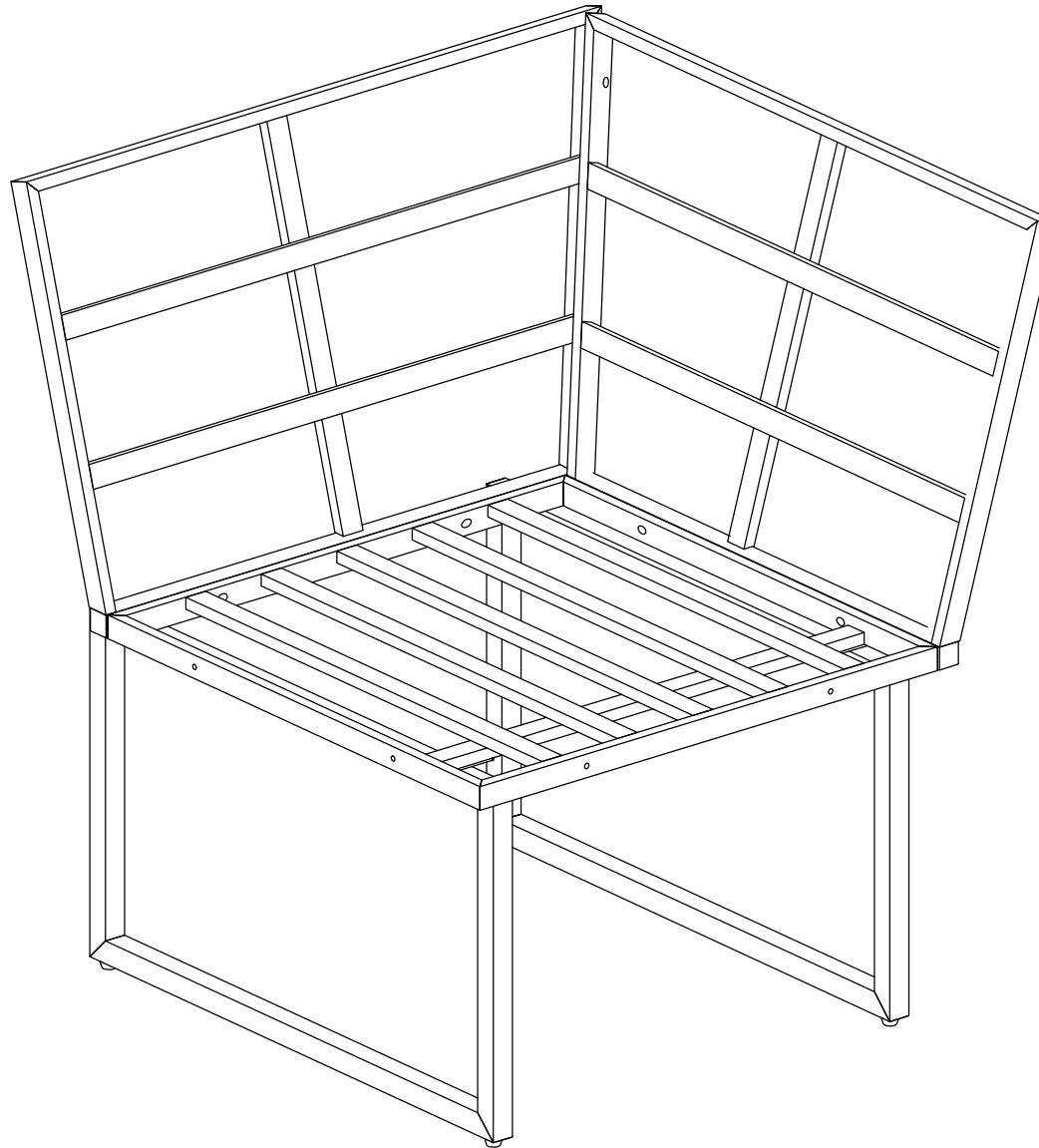
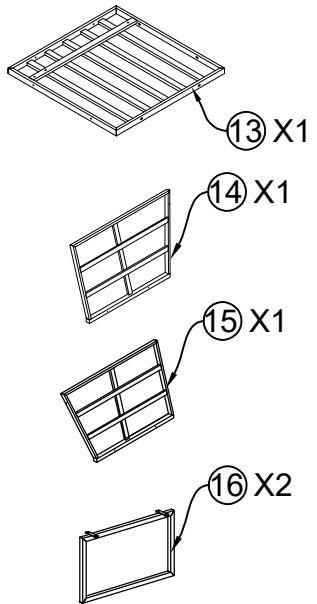







A



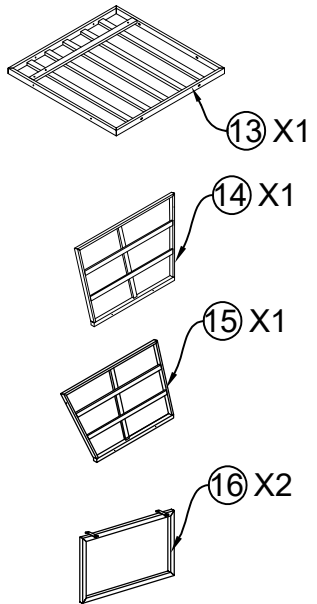
A		x10
B	M6x15mm	x1
C	M6x35mm	x9
D		x4
E		x2

ASSEMBLY INSTRUCTION - 29130018/01

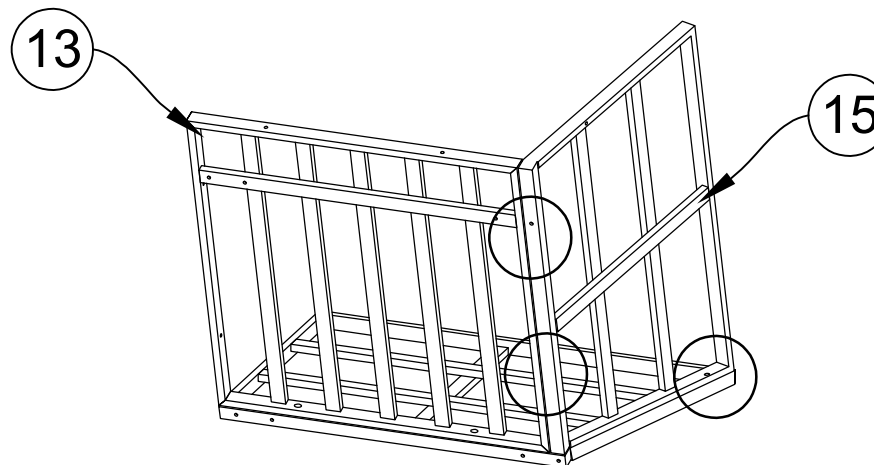
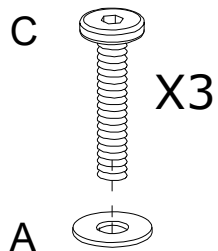
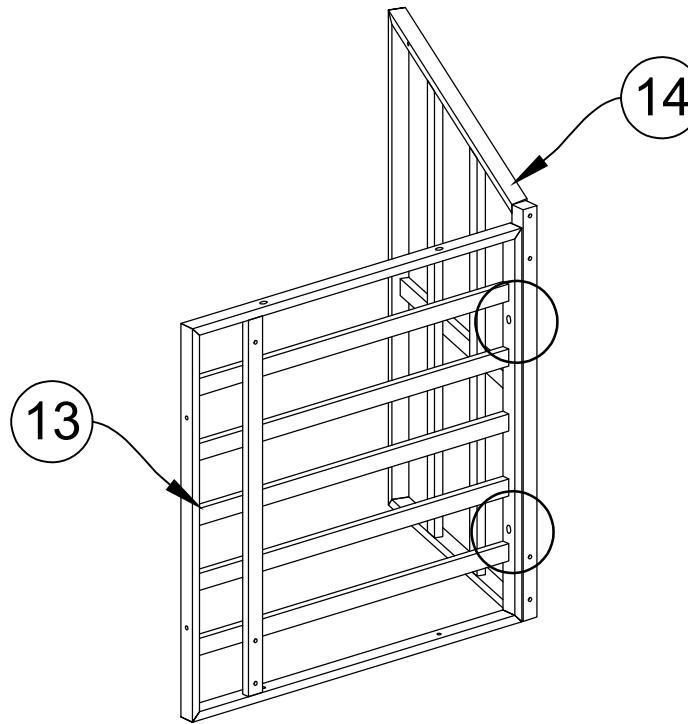
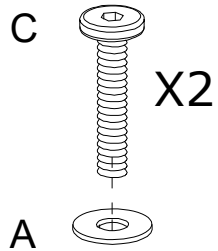


A		x13
B	 M6x15mm	x8
C	 M6x35mm	x5
D		x4
E		x2

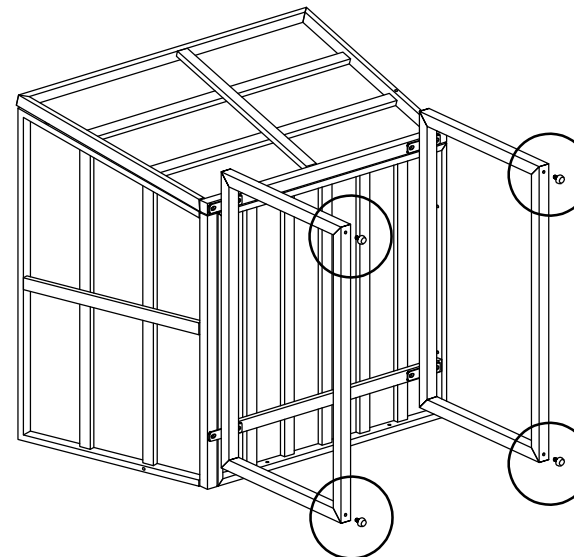
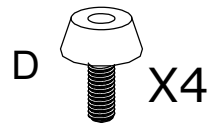
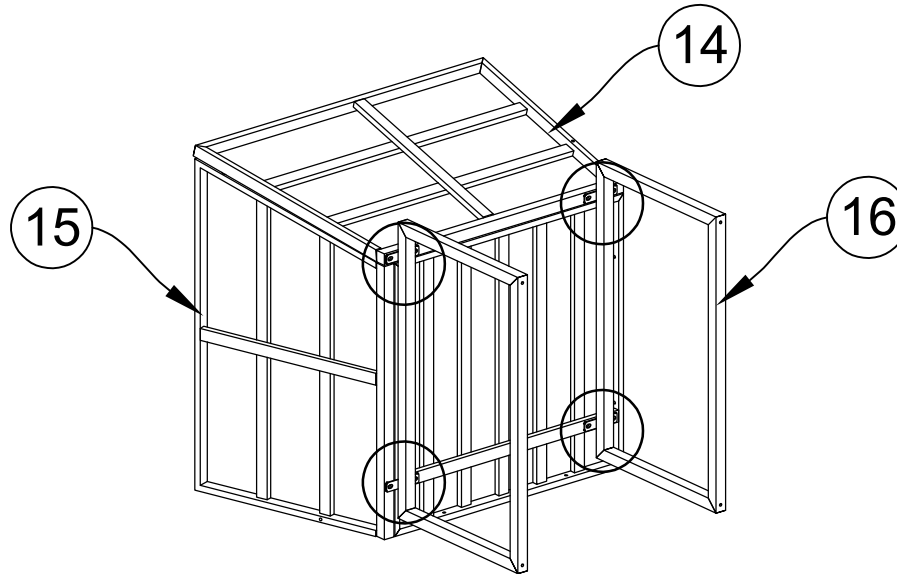
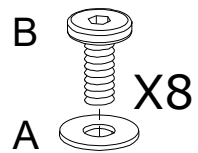
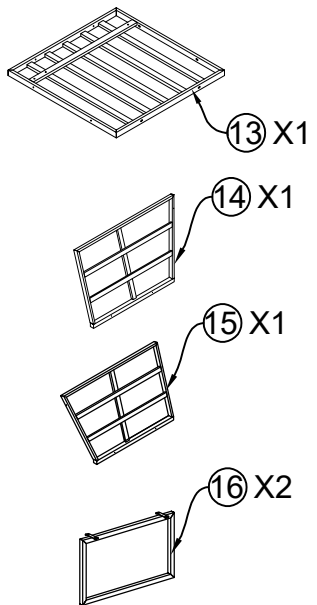
ASSEMBLY INSTRUCTION - 29130018/01



A		x13
B	M6x15mm	x8
C	M6x35mm	x5
D		x4
E		x2

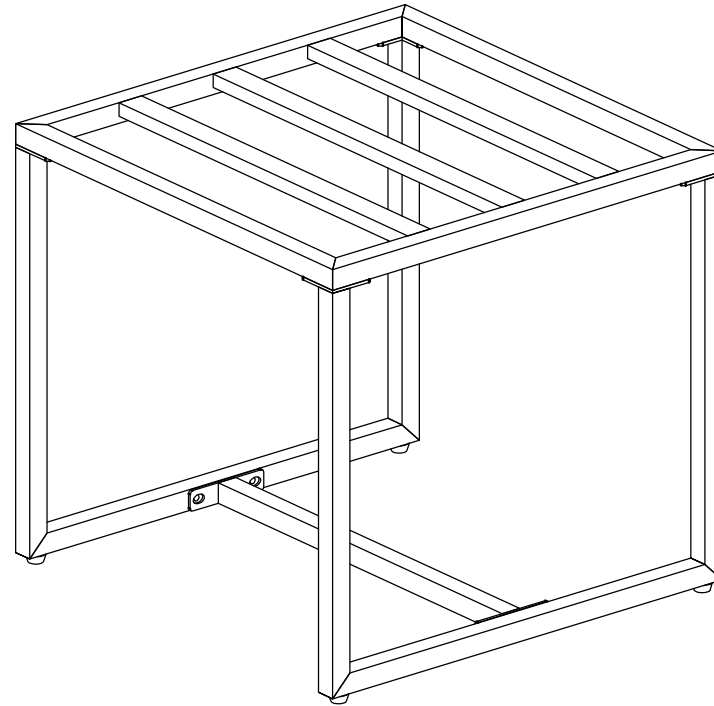
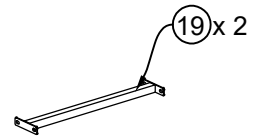
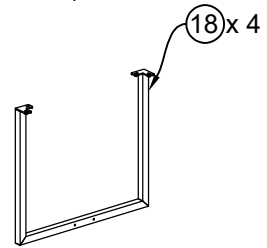
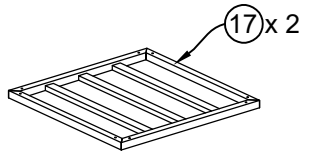


ASSEMBLY INSTRUCTION - 29130018/01







A		x13
B	M6x15mm	x8
C	M6x35mm	x5
D		x4
E		x2

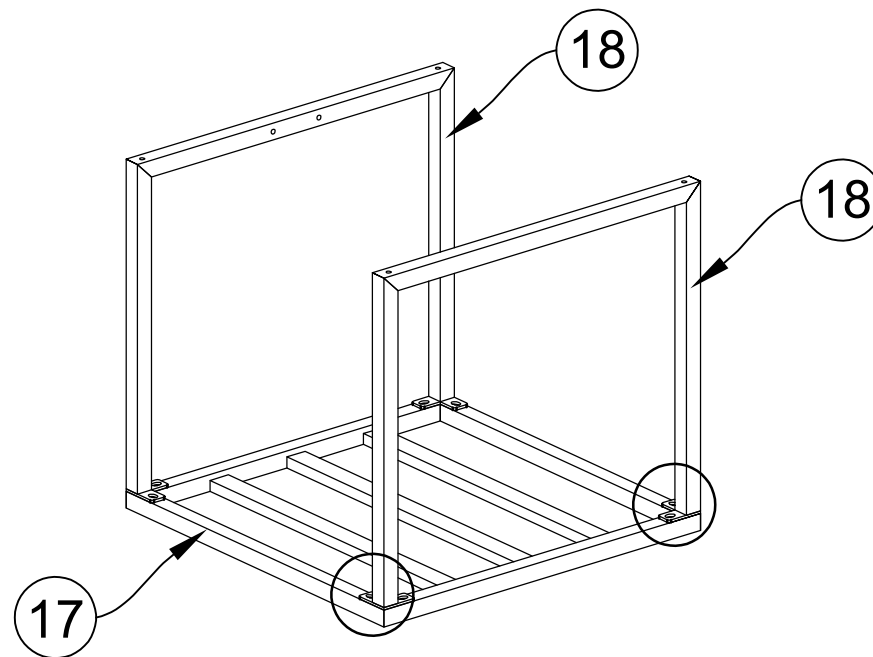
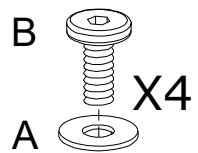
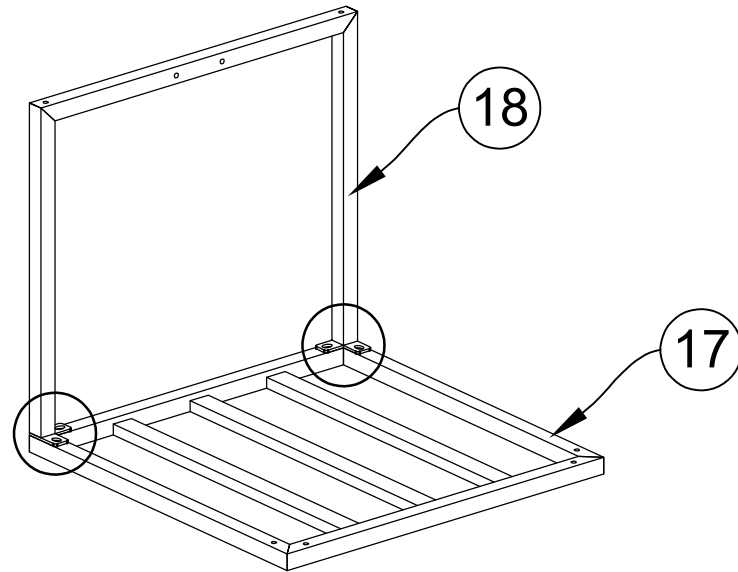
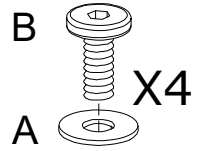
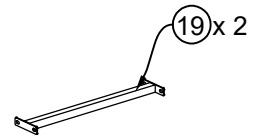
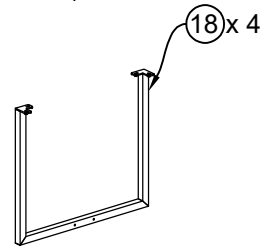
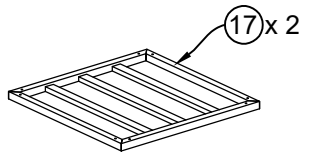
ASSEMBLY INSTRUCTION - 29130018/01



X2

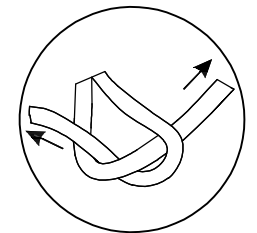
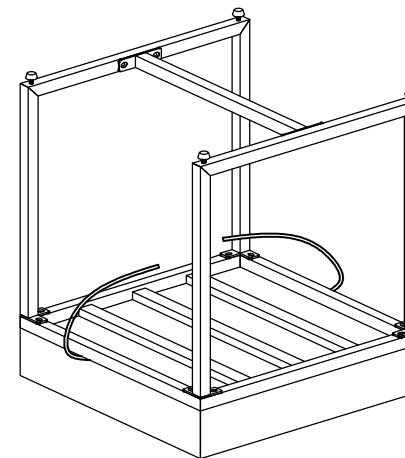
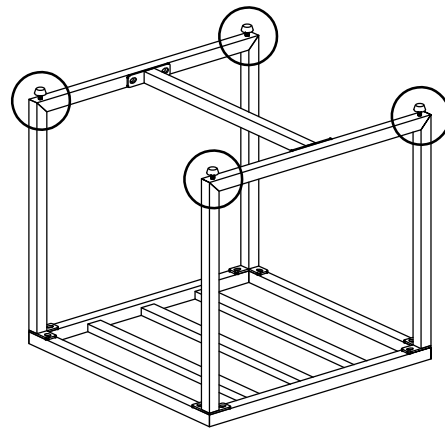
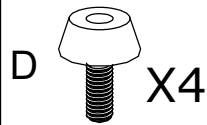
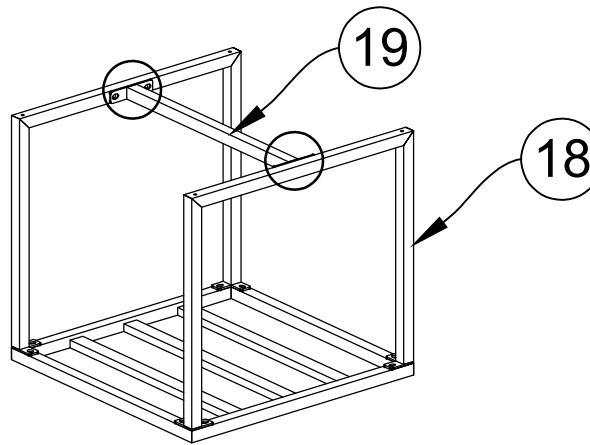
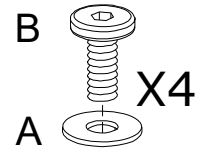
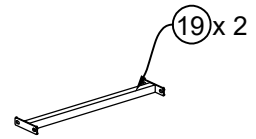
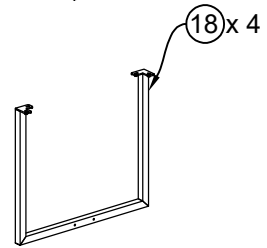
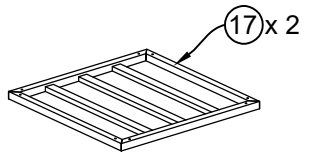
A		x24
B	 M6x15mm	x24
D		x8
E	 4mm	x2





ASSEMBLY INSTRUCTION - 29130018/01



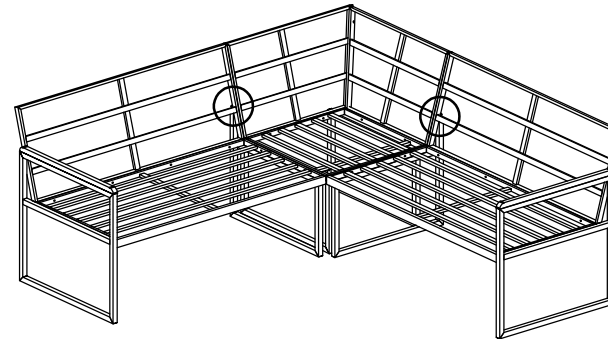
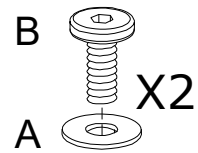
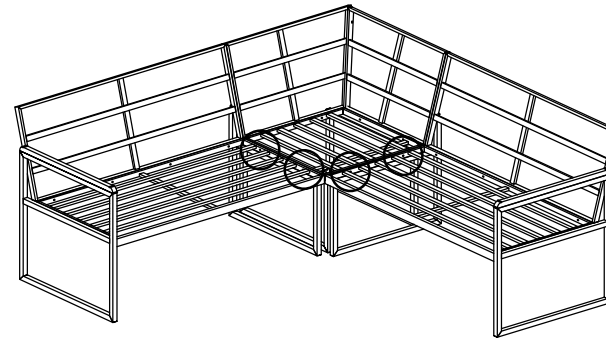
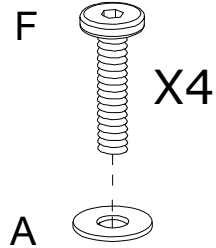
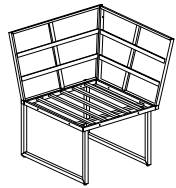
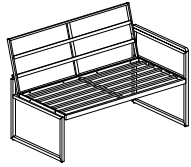
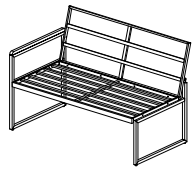
A		x24
B	M6x15mm	x24
D		x8
E	4mm	x2

ASSEMBLY INSTRUCTION - 29130018/01



A		x24
B	 M6x15mm	x24
D		x8
E	 4mm	x2

ASSEMBLY INSTRUCTION - 29130018/01



A		x6
B	M6x15mm	x2
F	M6x25mm	x4
E	4mm	x2

