

28580050-02

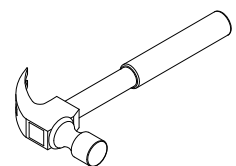
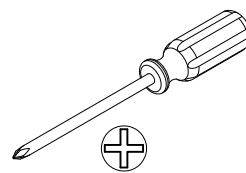
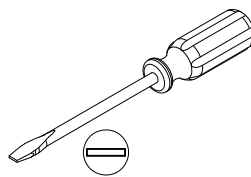
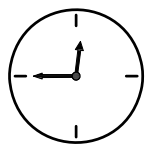
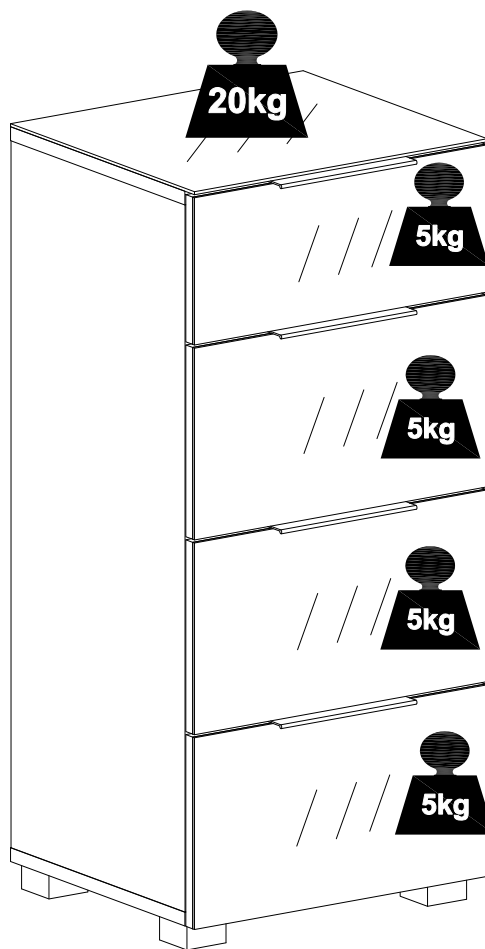
VEGAS NEW

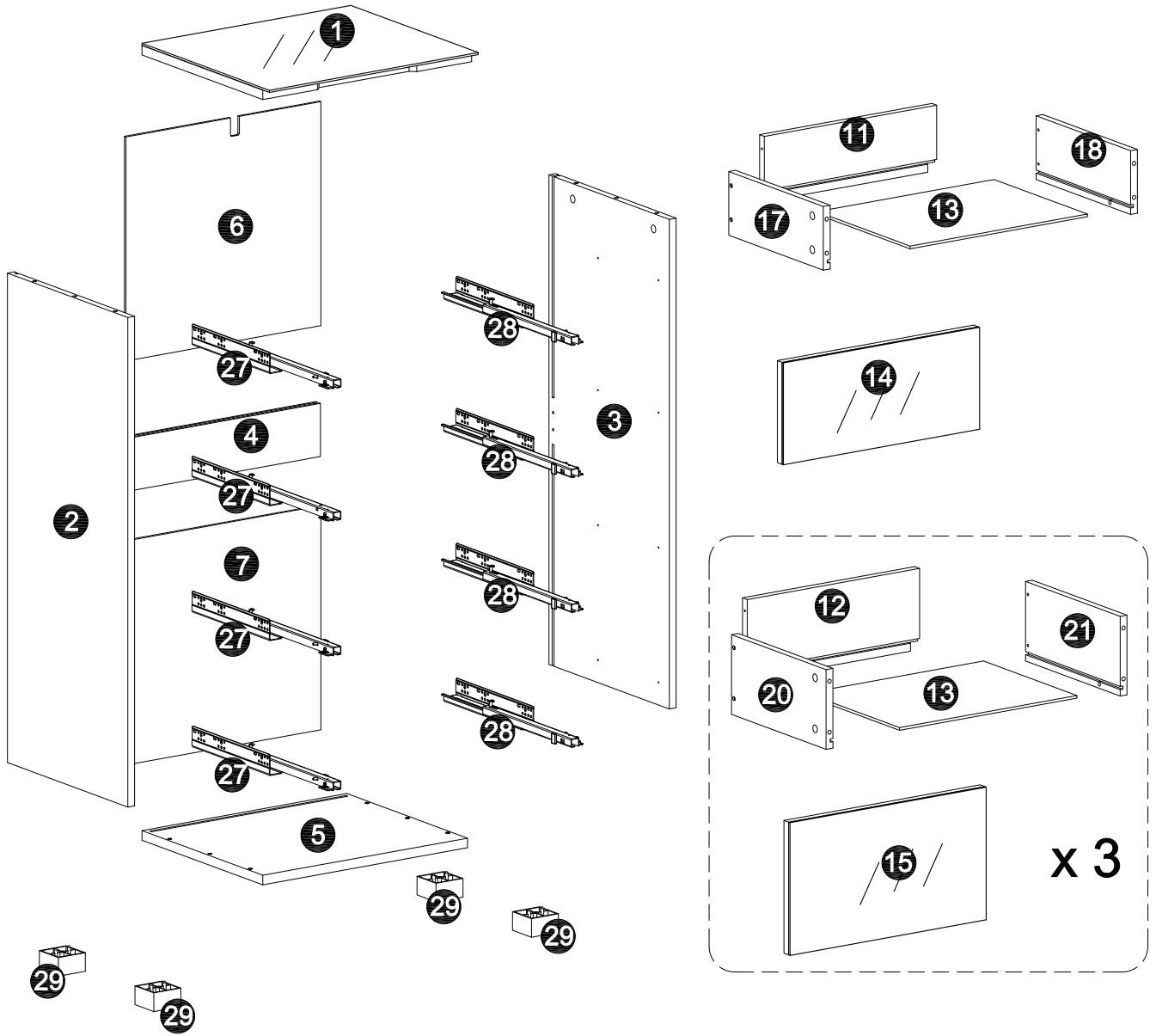
BDSK Handels GmbH & Co. KG

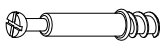

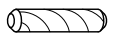
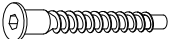

Mergentheimer Straße 59

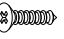

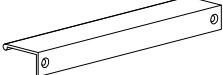

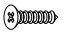

DE-97084 Würzburg Germany


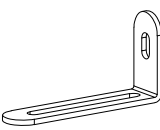


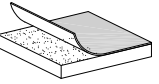
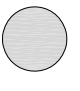
E-Mail: Info@xxxlutz.at

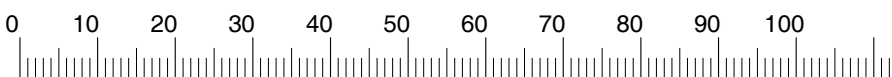




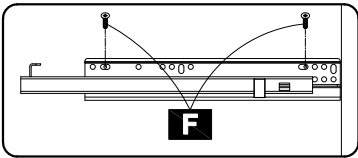
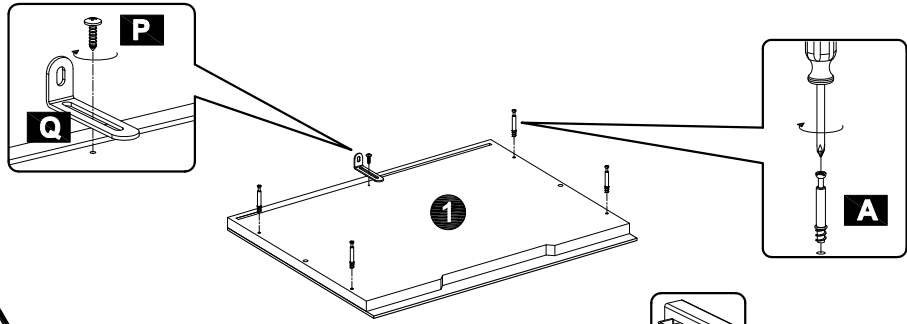
<b>A</b>	x 24	<b>B</b>	x 24	<b>C</b>	x 4	<b>D</b>	x 4	<b>E</b>	x 16
									
$\Phi 6 \times 35 \text{mm}$		$\Phi 15 \text{mm}$		$\Phi 7.8 \times 30 \text{mm}$		$\Phi 7 \times 48 \text{mm}$		$\Phi 4 \times 35 \text{mm}$	

<b>F</b>	x 24	<b>G</b>	x 4	<b>I</b>	x 4	<b>L</b>	x 8	<b>N</b>	x 8	<b>O</b>	x 1
											
$\Phi 3.5 \times 14 \text{mm}$		M6x30mm						$\Phi 3 \times 14 \text{mm}$		4mm	

<b>P</b>	x 1	<b>Q</b>	x 1	<b>R</b>	x 1	<b>S</b>	x 1	<b>T</b>	x 4	<b>U</b>	x 16
											
$\Phi 4 \times 12 \text{mm}$				$\Phi 4 \times 40 \text{mm}$		$\Phi 8 \text{mm}$				$\Phi 20 \text{mm}$	



1

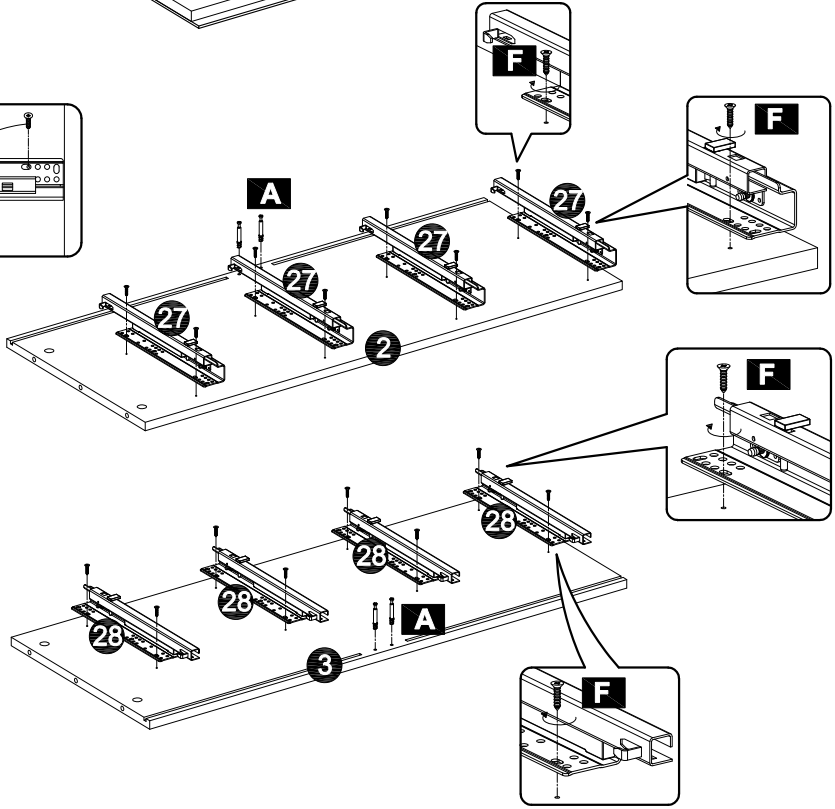


A	x 8
Φ6x35mm	

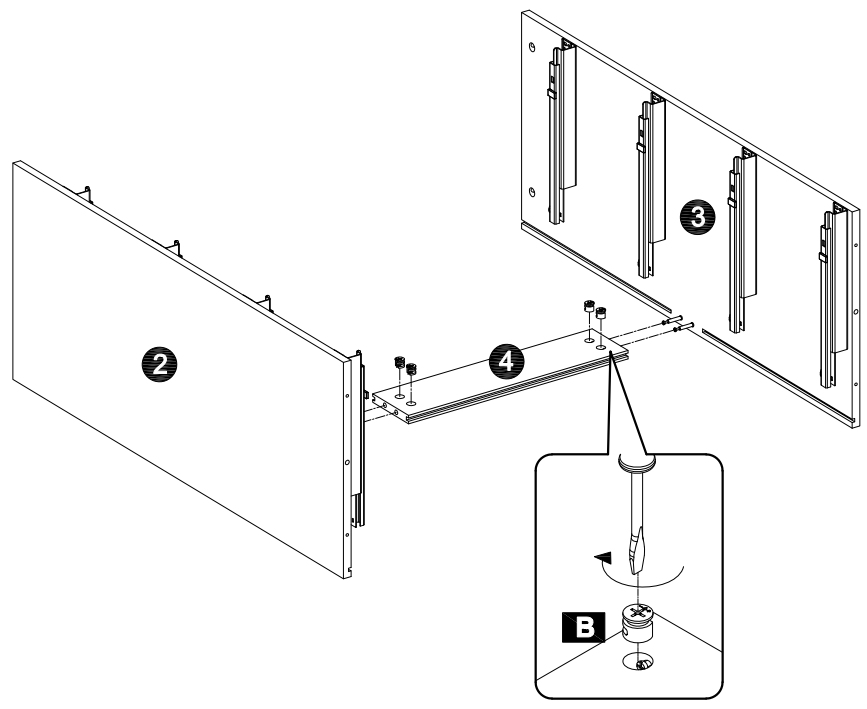
F	x 16
Φ3.5x14mm	

P	x 1
Φ4x12mm	

Q	x 1

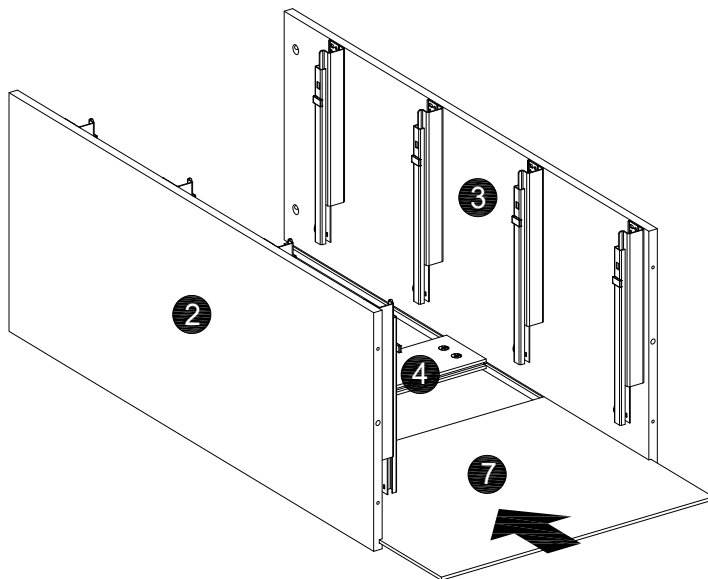


2

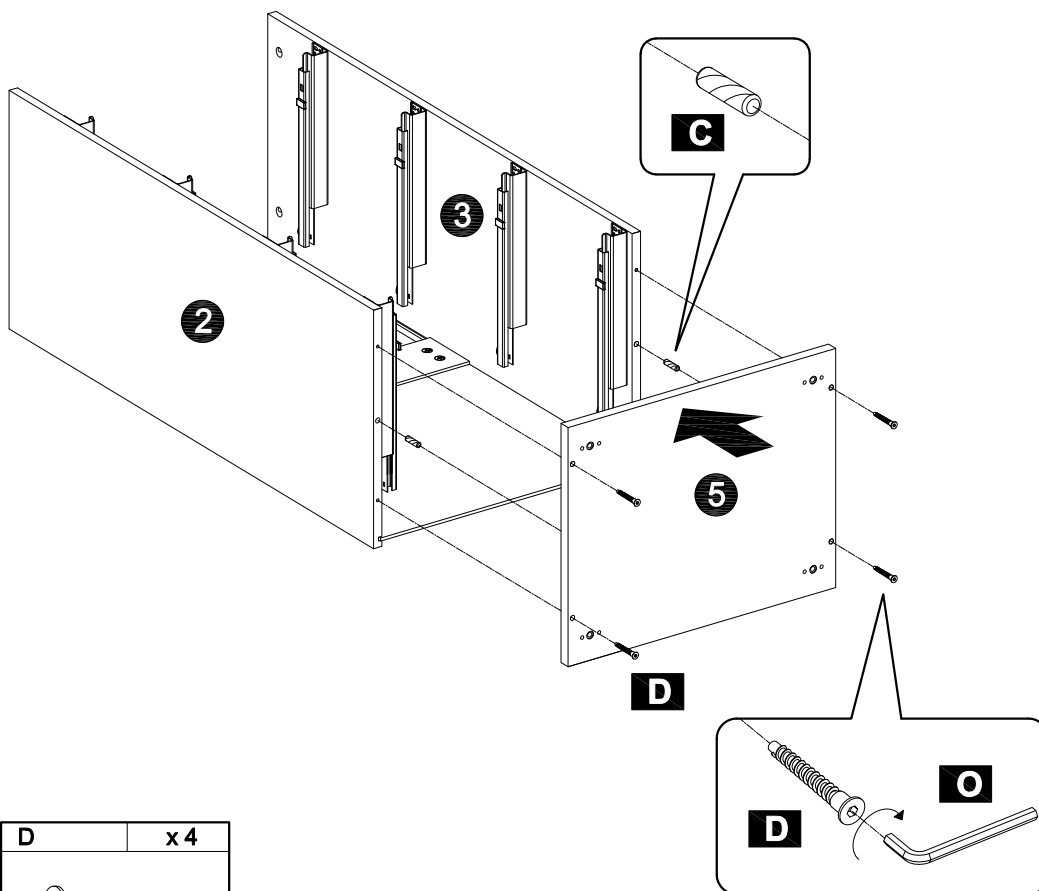


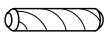
B	x 4
Φ15mm	

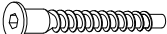
3



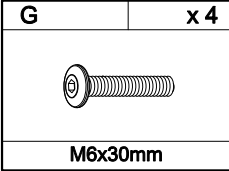
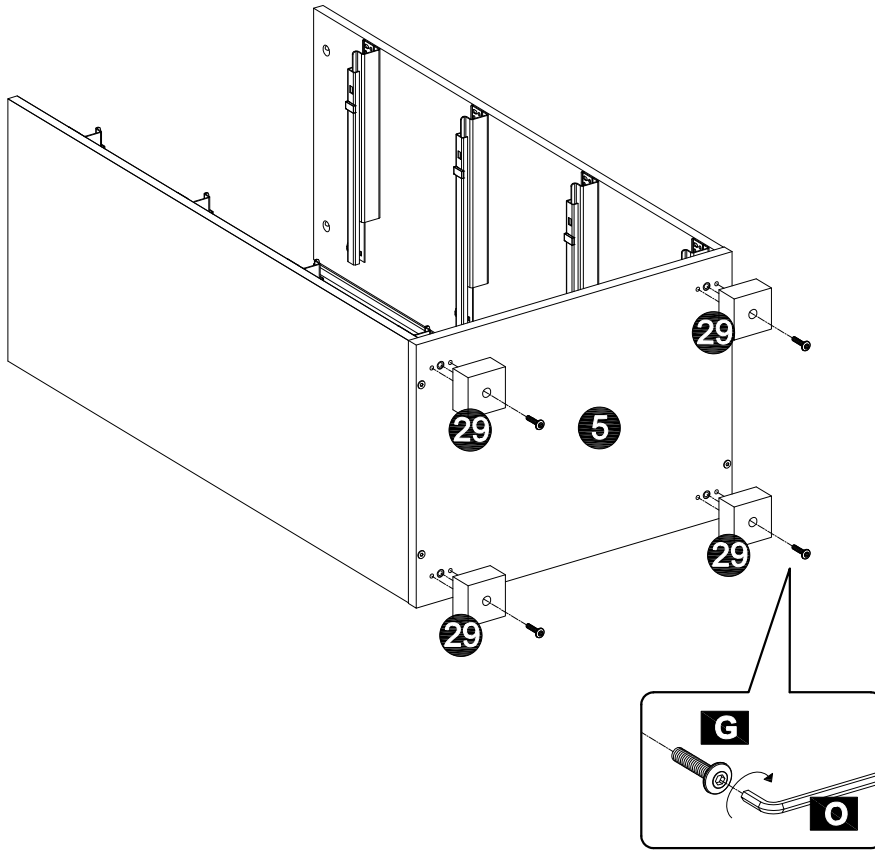
4



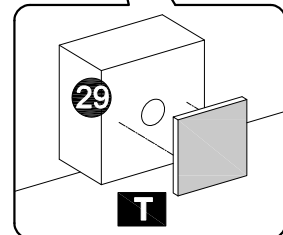
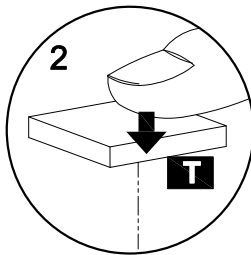
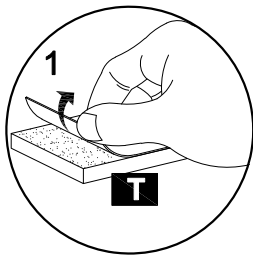
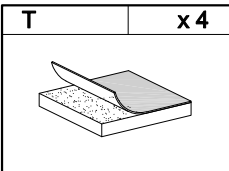
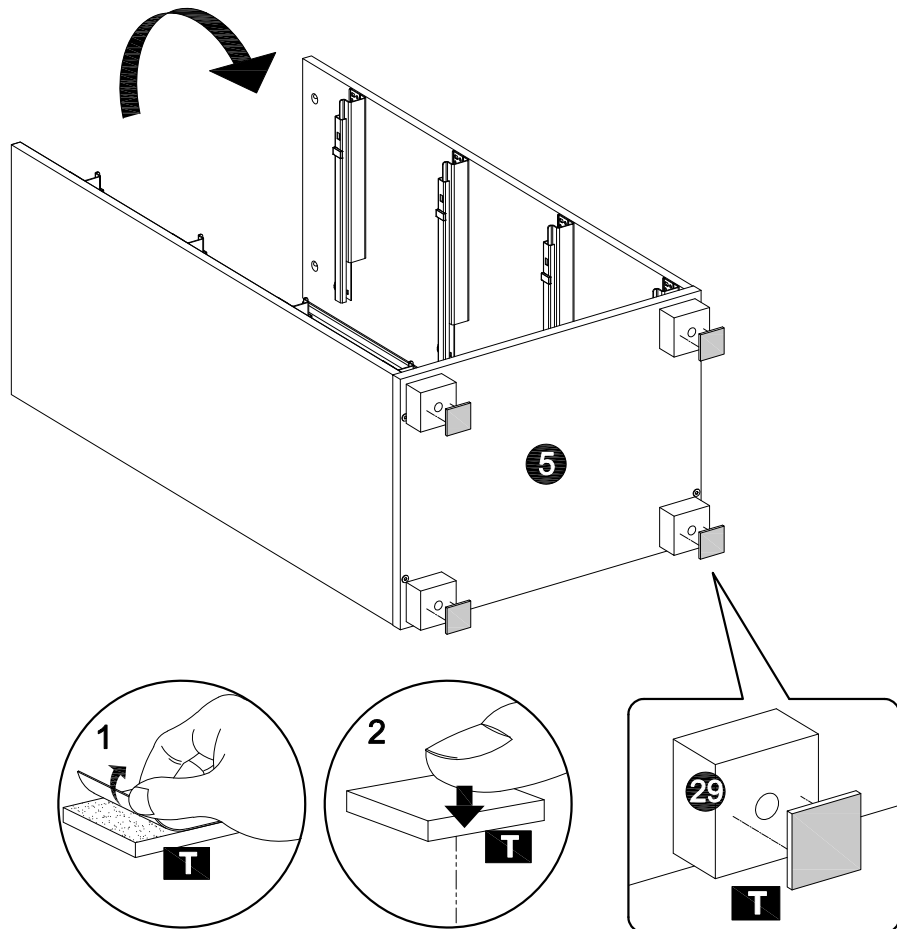
C	x 2
	
$\Phi 7.8 \times 30 \text{mm}$	

D	x 4
	
$\Phi 7 \times 48 \text{mm}$	

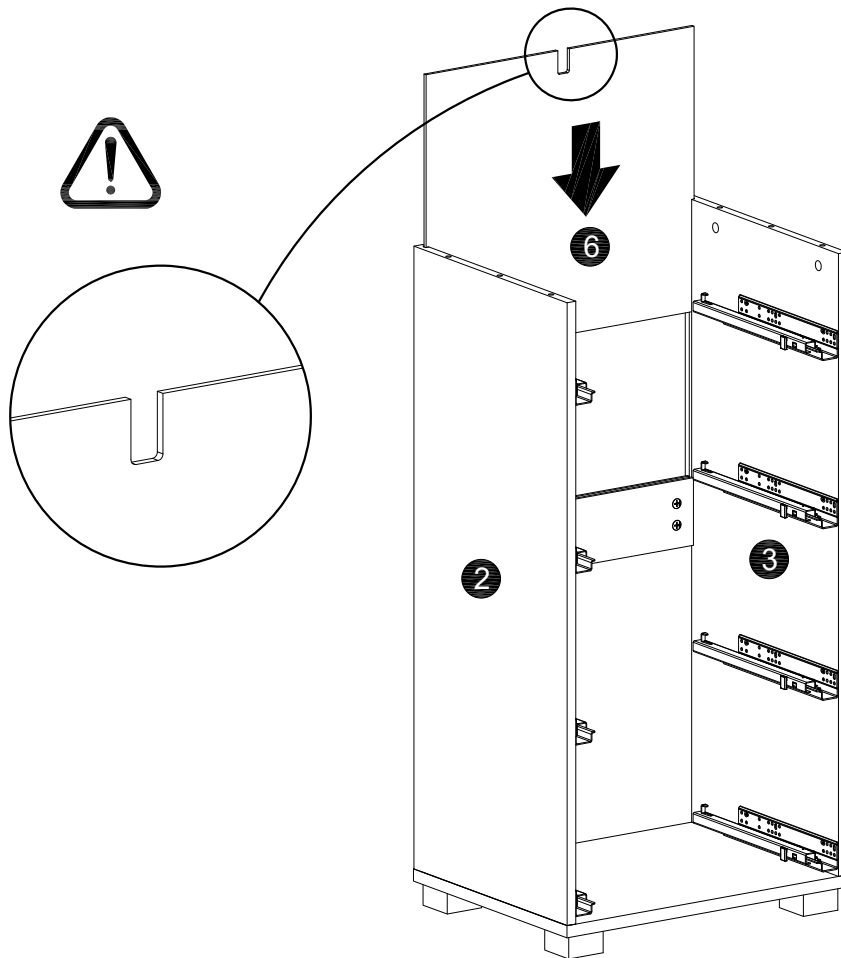
5



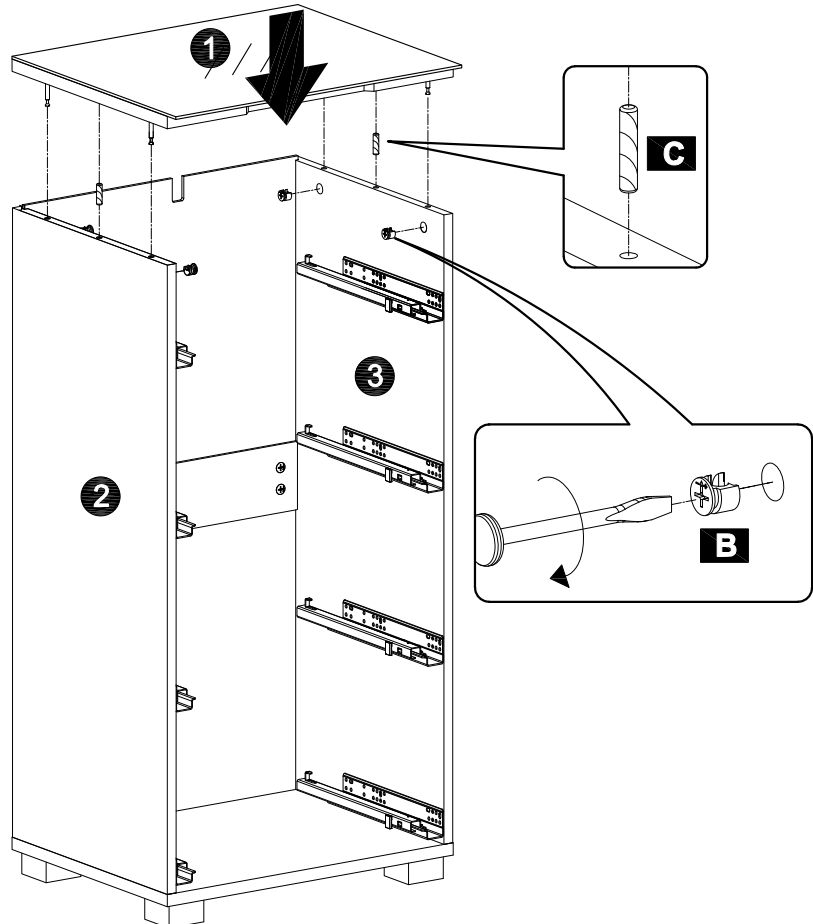
6




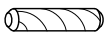
7

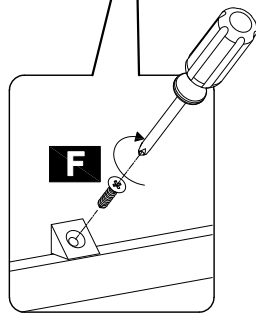
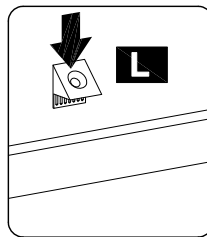
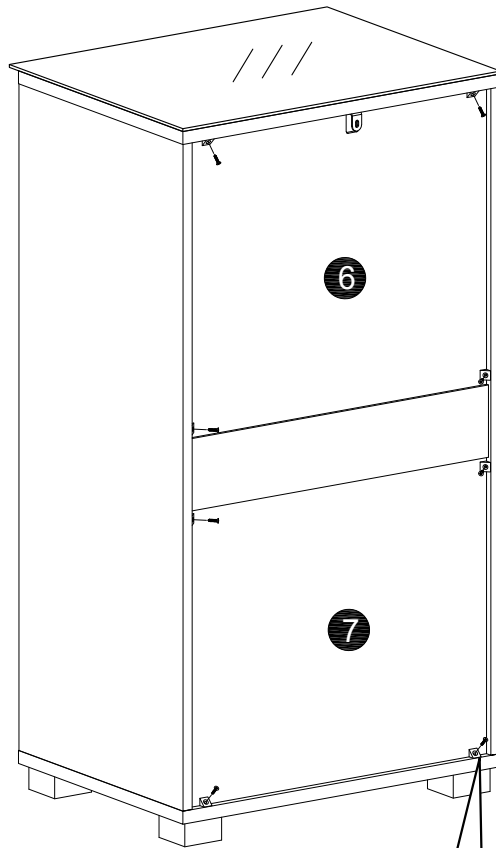



8




<b>B</b>	<b>x 4</b>
	
$\Phi 15\text{mm}$	

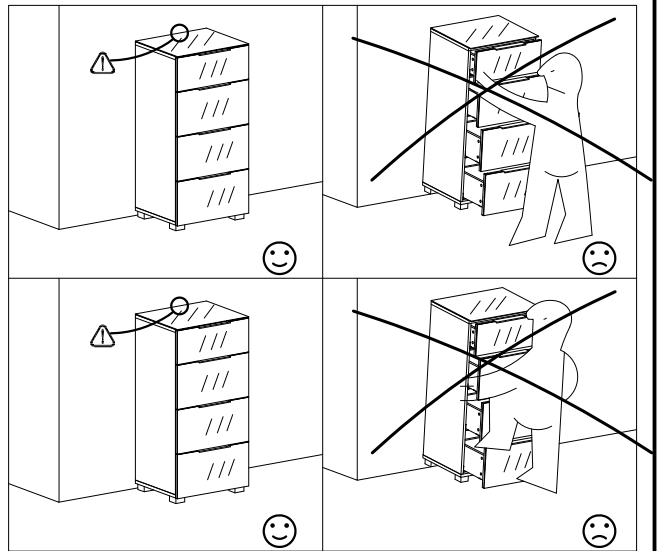
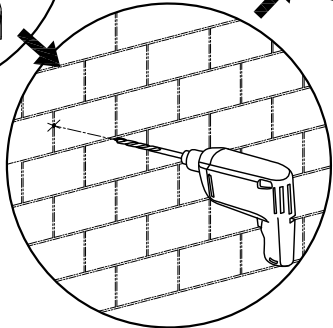
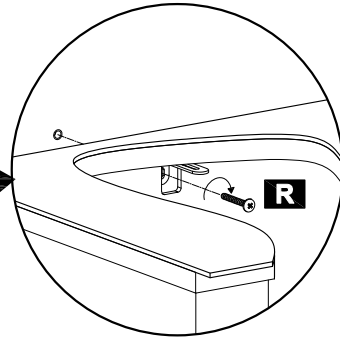
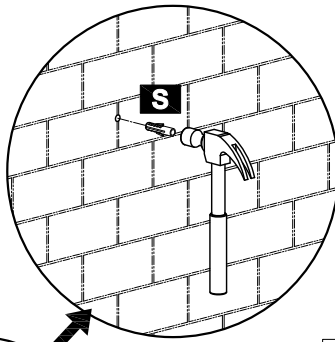
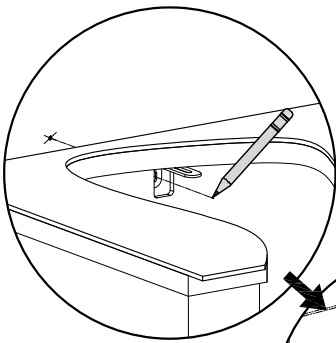
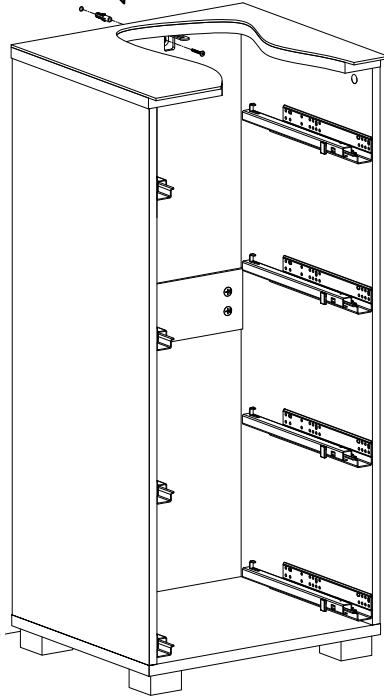
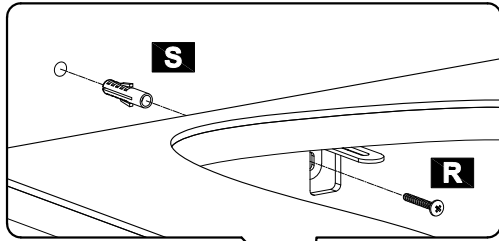
<b>C</b>	<b>x 2</b>
	
$\Phi 7.8 \times 30\text{mm}$	

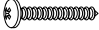



<b>F</b>	<b>x 8</b>
	
<b>Φ3.5x14mm</b>	

<b>L</b>	<b>x 8</b>
	

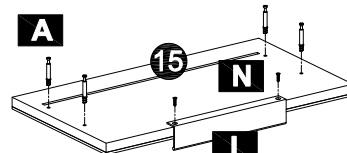
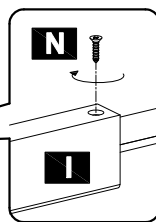
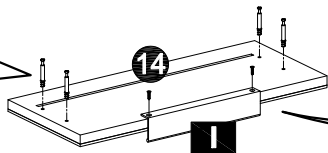
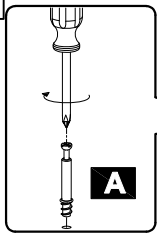
10



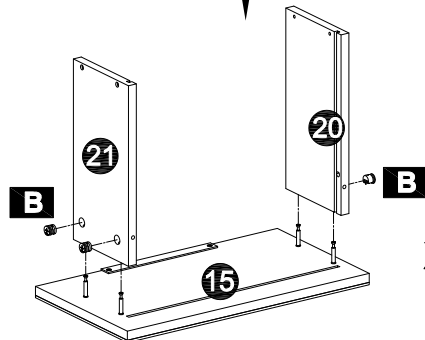
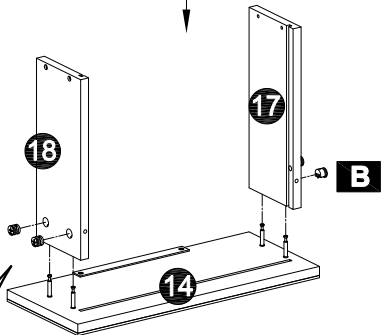
R	x1
	
Φ4x40mm	

S	x1
	
Φ8mm	

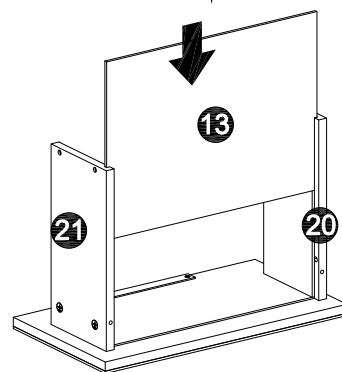
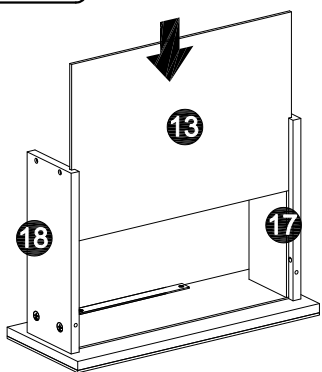
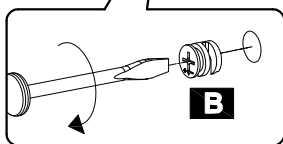
11



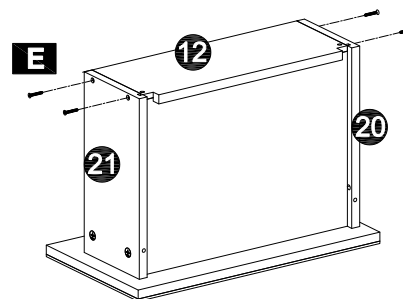
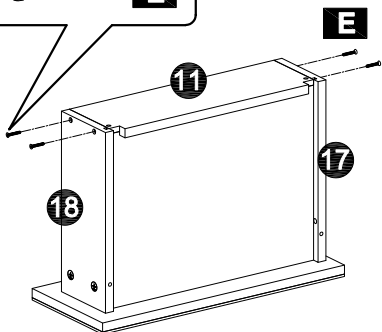
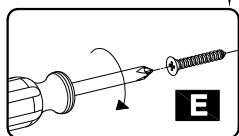
x 3



x 3



x 3



x 3

<b>A</b>	x 16
Φ6x35mm	

<b>B</b>	x 16
Φ15mm	

<b>E</b>	x 16
Φ4x35mm	

<b>I</b>	x 4

<b>N</b>	x 8
Φ3x14mm	

