

# Dieter Knoll

**DKBA2085SK**

---

<b>EN User Manual</b>	2
Refrigerator	
<b>DE Benutzerinformation</b>	17
Kühlschrank	

# CONTENTS

1. SAFETY INFORMATION.....	2
2. SAFETY INSTRUCTIONS.....	4
3. INSTALLATION.....	6
4. CONTROL PANEL.....	8
5. DAILY USE.....	8
6. HINTS AND TIPS.....	10
7. CARE AND CLEANING.....	11
8. TROUBLESHOOTING.....	12
9. NOISES.....	15
10. TECHNICAL DATA.....	15
11. INFORMATION FOR TEST INSTITUTES.....	15
12. ENVIRONMENTAL CONCERNS.....	16

Subject to change without notice.

## 1. ⚠ SAFETY INFORMATION

Before the installation and use of the appliance, carefully read the supplied instructions. The manufacturer is not responsible for any injuries or damage that are the result of incorrect installation or usage. Always keep the instructions in a safe and accessible location for future reference.

### 1.1 Children and vulnerable people safety

- This appliance can be used by children aged from 8 years and above and persons with reduced physical, sensory or mental capabilities or lack of experience and knowledge if they have been given supervision or instruction concerning the use of the appliance in a safe way and understand the hazards involved.
- Children aged from 3 to 8 years are allowed to load and unload the appliance provided that they have been properly instructed.
- This appliance may be used by persons with very extensive and complex disabilities provided that they have been properly instructed.
- Children of less than 3 years of age should be kept away from the appliance unless continuously supervised.

- Children should be supervised to ensure that they do not play with the appliance.
- Children shall not carry out cleaning and user maintenance of the appliance without supervision.
- Keep all packaging away from children and dispose of it appropriately.

## **1.2 General Safety**

- This appliance is for storing food and beverages only.
- This appliance is designed for single household domestic use in an indoor environment.
- This appliance may be used in, offices, hotel guest rooms, bed & breakfast guest rooms, farm guest houses and other similar accommodation where such use does not exceed (average) domestic usage levels.
- To avoid contamination of food respect the following instructions:
  - do not open the door for long periods;
  - clean regularly surfaces that can come in contact with food and accessible drainage systems;
  - store raw meat and fish in suitable containers in the refrigerator, so that it is not in contact with or drip onto other food.
- **WARNING:** Keep ventilation openings, in the appliance enclosure or in the built-in structure, clear of obstruction.
- **WARNING:** Do not use mechanical devices or other means to accelerate the defrosting process, other than those recommended by the manufacturer.
- **WARNING:** Do not damage the refrigerant circuit.
- **WARNING:** Do not use electrical appliances inside the food storage compartments of the appliance, unless they are of the type recommended by the manufacturer.
- Do not use water spray and steam to clean the appliance.
- Clean the appliance with a moist soft cloth. Only use neutral detergents. Do not use abrasive products, abrasive cleaning pads, solvents or metal objects.

- When the appliance is empty for long period, switch it off, defrost, clean, dry and leave the door open to prevent mould from developing within the appliance.
- Do not store explosive substances such as aerosol cans with a flammable propellant in this appliance.
- If the supply cord is damaged, it must be replaced by the manufacturer, its Authorised Service Centre or similarly qualified persons in order to avoid a hazard.

## 2. SAFETY INSTRUCTIONS

### 2.1 Installation

#### **WARNING!**

Only a qualified person must install this appliance.

- Remove all the packaging.
- Do not install or use a damaged appliance.
- Do not use the appliance before installing it in the built-in structure due to safety manner.
- Follow the installation instructions supplied with the appliance.
- Always take care when moving the appliance as it is heavy. Always use safety gloves and enclosed footwear.
- Make sure the air can circulate around the appliance.
- At first installation or after reversing the door wait at least 4 hours before connecting the appliance to the power supply. This is to allow the oil to flow back in the compressor.
- Before carrying out any operations on the appliance (e.g. reversing the door), remove the plug from the power socket.
- Do not install the appliance close to radiators or cookers, ovens, or hobs, unless otherwise specified in the installation instructions.
- Do not expose the appliance to the rain.
- Do not install the appliance where there is direct sunlight.
- Do not install this appliance in areas that are too humid or too cold.
- When you move the appliance, lift it by the front edge to avoid scratching the floor.

### 2.2 Electrical connection

#### **WARNING!**

Risk of fire and electric shock.

#### **WARNING!**

When positioning the appliance, ensure the supply cord is not trapped or damaged.

#### **WARNING!**

Do not use multi-plug adapters and extension cables.

- The appliance must be earthed.
- Make sure that the parameters on the rating plate are compatible with the electrical ratings of the mains power supply.
- Always use a correctly installed shockproof socket.
- Make sure not to cause damage to the electrical components (e.g. mains plug, mains cable, compressor). Contact the Authorised Service Centre or an electrician to change the electrical components.
- The mains cable must stay below the level of the mains plug.
- Connect the mains plug to the mains socket only at the end of the installation. Make sure that there is access to the mains plug after the installation.
- Do not pull the mains cable to disconnect the appliance. Always pull the mains plug.

## 2.3 Use

### **WARNING!**

Risk of injury, burns, electric shock or fire.



The appliance contains flammable gas, isobutane (R600a), a natural gas with a high level of environmental compatibility. Be careful not to cause damage to the refrigerant circuit containing isobutane.

- Do not change the specification of this appliance.
- Any use of the built-in product as free-standing is strictly prohibited.
- Do not put electrical appliances (e.g. ice cream makers) in the appliance unless they are stated applicable by the manufacturer.
- If damage occurs to the refrigerant circuit, make sure that there are no flames and sources of ignition in the room. Ventilate the room.
- Do not let hot items to touch the plastic parts of the appliance.
- Do not store flammable gas and liquid in the appliance.
- Do not put flammable products or items that are wet with flammable products in, near or on the appliance.
- Do not touch the compressor or the condenser. They are hot.
- Do not allow food to come in contact with the inner walls of the appliance compartments.

## 2.4 Internal lighting

### **WARNING!**

Risk of electric shock.

- This product contains one or more light sources of energy efficiency class G.
- Concerning the lamp(s) inside this product and spare part lamps sold separately: These lamps are intended to withstand extreme physical conditions in household appliances, such as temperature, vibration, humidity, or are intended to signal information about the operational status of the appliance. They are not intended to be used in other applications

and are not suitable for household room illumination.

## 2.5 Care and cleaning

### **WARNING!**

Risk of injury or damage to the appliance.

- Before maintenance, deactivate the appliance and disconnect the mains plug from the mains socket.
- This appliance contains hydrocarbons in the cooling unit. Only a qualified person must do the maintenance and the recharging of the unit.
- Regularly examine the drain of the appliance and if necessary, clean it. If the drain is blocked, defrosted water collects in the bottom of the appliance.

## 2.6 Service

- To repair the appliance contact the Authorised Service Centre. Use original spare parts only.
- Please note that self-repair or non-professional repair can have safety consequences and might void the guarantee.
- The following spare parts will be available for 7 years after the model has been discontinued: thermostats, temperature sensors, printed circuit boards, light sources, door handles, door hinges, trays and baskets. Please note that some of these spare parts are only available to professional repairers, and that not all spare parts are relevant for all models.
- Door gaskets will be available for 10 years after the model has been discontinued.

## 2.7 Disposal

### **WARNING!**

Risk of injury or suffocation.

- Disconnect the appliance from the mains supply.
- Cut off the mains cable and discard it.
- Remove the door to prevent children and pets to be closed inside of the appliance.
- The refrigerant circuit and the insulation materials of this appliance are ozone-friendly.

- The insulation foam contains flammable gas. Contact your municipal authority for information on how to discard the appliance correctly.

- Do not cause damage to the part of the cooling unit that is near the heat exchanger.

### 3. INSTALLATION

**⚠ WARNING!**

Refer to Safety chapters.

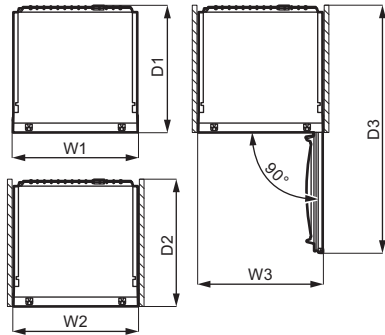
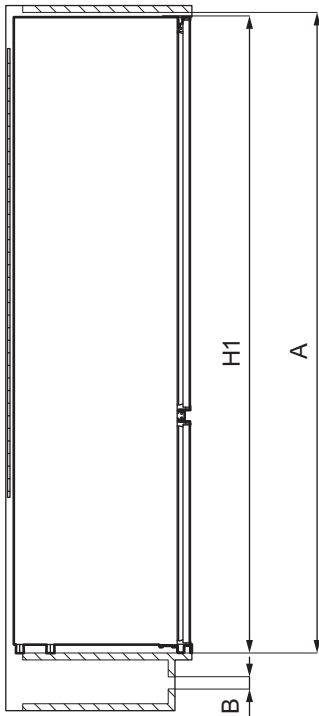
**⚠ WARNING!**

Refer to installation instruction document to install your appliance.

**⚠ WARNING!**

Fix the appliance in accordance with installation instruction document to avoid a risk of instability of the appliance.

#### 3.1 Dimensions



**Overall dimensions <sup>1</sup>**

H1                      mm                      1218

**Overall dimensions <sup>1</sup>**

W1\*                      mm                      548

### Overall dimensions <sup>1</sup>

D1	mm	549
----	----	-----

<sup>1</sup> the height, width and depth of the appliance without the handle

\* including the width of the bottom hinges (8 mm)

### Space required in use <sup>2</sup>

H2 (A+B)	mm	1261
----------	----	------

W2*	mm	548
-----	----	-----

D2	mm	551
----	----	-----

A	mm	1225
---	----	------

B	mm	36
---	----	----

<sup>2</sup> the height, width and depth of the appliance including the handle, plus the space necessary for free circulation of the cooling air

\* including the width of the bottom hinges (8 mm)

### Overall space required in use <sup>3</sup>

H3 (A+B)	mm	1261
----------	----	------

W3*	mm	548
-----	----	-----

D3	mm	1071
----	----	------

<sup>3</sup> the height, width and depth of the appliance including the handle, plus the space necessary for free circulation of the cooling air, plus the space necessary to allow door opening to the minimum angle permitting removal of all internal equipment

\* including the width of the bottom hinges (8 mm)

## 3.2 Location

To ensure appliance's best functionality, you should not install the appliance in a place with direct sunlight. Do not install the appliance close to radiators or cookers, ovens, or hobs, unless otherwise specified in the installation instructions.

Make sure that air can circulate freely around the back of the cabinet.

This appliance should be installed in a dry, well ventilated indoor position.

This appliance is intended to be used at ambient temperature ranging from 10°C to 43°C.

**i** The correct operation of the appliance can only be guaranteed within the specified temperature range.

**i** If you have any doubts regarding where to install the appliance, please turn to the vendor, to our customer service or to the nearest Authorised Service Centre.

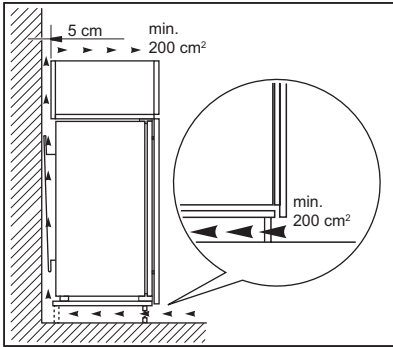
**i** It must be possible to disconnect the appliance from the mains power supply. The plug must therefore be easily accessible after installation.

## 3.3 Electrical connection

- Before plugging in, ensure that the voltage and frequency shown on the rating plate correspond to your domestic power supply.
- The appliance must be earthed. The power supply cable plug is provided with a contact for this purpose. If the domestic power supply socket is not earthed, connect the appliance to a separate earth in compliance with current regulations, consulting a qualified electrician.
- The manufacturer declines all responsibility if the above safety precautions are not observed.

## 3.4 Ventilation requirements

The airflow behind the appliance must be sufficient.



**⚠ CAUTION!**

Refer to the installation instructions for the installation.

### 3.5 Door reversibility

Please refer to the separate document with instructions on installation and door reversal.

**⚠ CAUTION!**

At every stage of reversing the door protect the floor from scratching with a durable material.

## 4. CONTROL PANEL

### 4.1 Switching on

1. Insert the plug into the wall socket.
2. Turn the temperature regulator clockwise to a medium setting.

### 4.2 Switching off

To turn off the appliance, turn the temperature regulator to the "O" position.

### 4.3 Temperature regulation

The temperature is regulated automatically. However, you can set a temperature inside the appliance yourself.

Choose the setting keeping in mind that the temperature inside the appliance depends on:

- room temperature,
- frequency of opening the door,
- quantity of food stored,
- appliance location.

A medium setting is generally the most suitable one.

To operate the appliance:

1. Turn the temperature regulator clockwise to obtain a lower temperature inside the appliance.
2. Turn the temperature regulator counterclockwise to obtain a higher temperature inside the appliance.

## 5. DAILY USE

**⚠ CAUTION!**

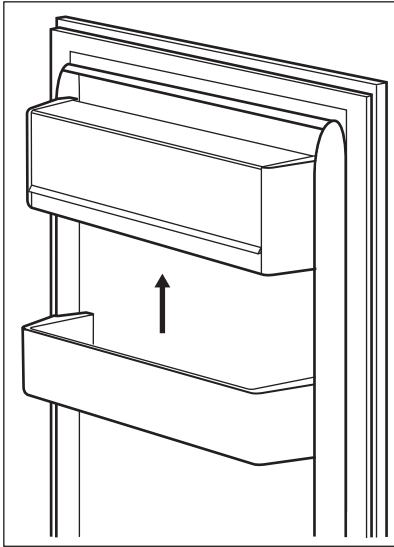
This refrigerating appliance is not suitable for freezing foodstuffs.

### 5.1 Positioning the door shelves

To permit storage of food packages of various sizes, the door shelves can be placed at different heights.

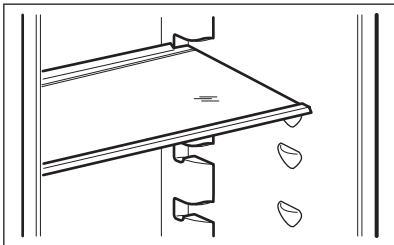
1. Gradually pull the shelf up until it comes free.
2. Reposition as required.





### 5.2 Movable shelves

The walls of the refrigerator are equipped with a series of runners so that the shelves can be positioned as desired.



**i** Do not move the glass shelf above the vegetable drawer to ensure correct air circulation.

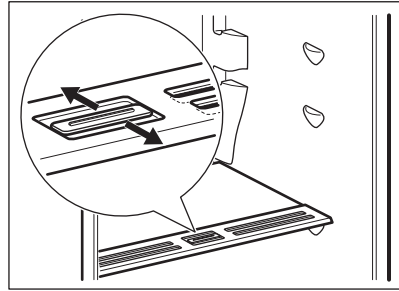
### 5.3 Vegetable drawer

There is a special drawer in the bottom part of the appliance suitable for storage of fruits and vegetables.

### 5.4 Humidity control

The glass shelf incorporates a device with slits (adjustable by means of a sliding lever), which makes it possible to regulate the humidity in the vegetable drawer(s).

**i** Do not place any food products on the humidity control device.



The position of the humidity control depends on the type and on the amount of fruits and vegetables:

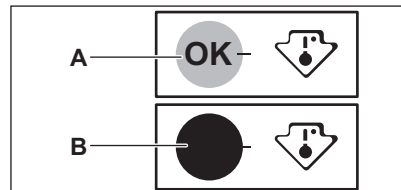
- Slots closed: recommended when there is a small amount of fruits and vegetables. In this way, the natural moisture content in fruits and vegetables is preserved longer.
- Slots opened: recommended when there is a big amount of fruits and vegetables. In this way, more air circulation results in a lower air moisture.

### 5.5 Temperature indicator

For proper storage of food the refrigerator is equipped with the temperature indicator. The symbol on the side wall of the appliance indicates the coldest area in the refrigerator.

If OK is displayed (A), put fresh food into area indicated by symbol, if not (B), wait at least 12 hours and check if it is OK (A).

If it is still not OK (B), adjust the setting control to a colder setting.

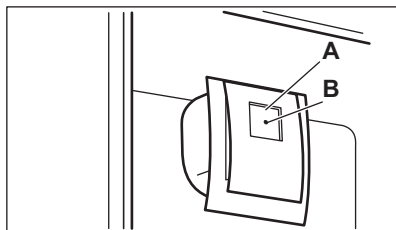


### 5.6 DYNAMICAIR

The refrigerator compartment is equipped with a device that allows rapid cooling of foods and keeps more uniform temperature in the compartment.

**i** Switch on the device when you have to cool down a big amount of food or when the room temperature is higher than 35°C to guarantee a greater homogenization of internal temperature.

Press the button (A) to switch on the fan. The green light (B) appears.



**i** Before switching off the appliance, remember to turn off the fan by pressing the button (A). The green light (B) disappears.

## 6. HINTS AND TIPS

### 6.1 Hints for energy saving


- Most efficient use of energy is ensured in the configuration with the drawers in the bottom part of the appliance and shelves evenly distributed. Position of the door bins does not affect energy consumption.
- Do not open the door frequently or leave it open longer than necessary.
- Do not set too high temperature to save energy unless it is required by the characteristics of the food.
- If the ambient temperature is high and the temperature control is set to low temperature and the appliance is fully loaded, the compressor may run continuously, causing frost or ice formation on the evaporator. In this case, set the temperature control toward higher temperature to allow automatic defrosting and to save energy this way.
- Ensure a good ventilation. Do not cover the ventilation grilles or holes.

### 6.2 Hints for fresh food refrigeration

- The medium temperature setting ensures good preservation of fresh food. Higher temperature setting inside the appliance may lead to shorter shelf life of food.
- Cover the food with packaging to preserve its freshness and aroma.

- Always use closed containers for liquids and for food, to avoid flavours or odours in the compartment.
- To avoid the cross-contamination between cooked and raw food, cover the cooked food and separate it from the raw one.
- It is recommended to defrost the food inside the fridge.
- Do not insert hot food inside the appliance. Make sure it has cooled down at room temperature before inserting it.
- To prevent food waste the new stock of food should always be placed behind the old one.

### 6.3 Hints for food refrigeration

- Fresh food compartment is the one marked (on the rating plate) with .
- Meat (all types): wrap in a suitable packaging and place it on the glass shelf above the vegetable drawer. Store meat for at most 1-2 days.
- Fruit and vegetables: clean thoroughly (eliminate the soil) and place in a special drawer (vegetable drawer).
- It is advisable not to keep the exotic fruits like bananas, mangos, papayas etc. in the refrigerator.
- Vegetables like tomatoes, potatoes, onions, and garlic should not be kept in the refrigerator.

- Butter and cheese: place in an airtight container or wrap in an aluminium foil or a polythene bag to exclude as much air as possible.
- Bottles: close them with a cap and place them on the door bottle shelf, or (if available) on the bottle rack.
- In order to accelerate cooling down of the goods, it is advisable to turn on the fan.

The activation of DYNAMICAIR allows greater homogenization of internal temperatures.

- Always refer to the expiry date of the products to know how long to keep them.

## 7. CARE AND CLEANING

### **WARNING!**

Refer to Safety chapters.

### 7.1 Cleaning the interior

Before using the appliance for the first time, the interior and all internal accessories should be washed with lukewarm water and some neutral soap to remove the typical smell of a brand-new product, then dried thoroughly.

### **CAUTION!**

Do not use detergents, abrasive powders, chlorine or oil-based cleaners as they will damage the finish.

### **CAUTION!**

The accessories and parts of the appliance are not suitable for washing in a dishwasher.

### 7.2 Periodic cleaning

The equipment has to be cleaned regularly:

1. Clean the inside and accessories with lukewarm water and some neutral soap.
2. Regularly check the door seals and wipe them clean to ensure they are clean and free from debris.
3. Rinse and dry thoroughly.

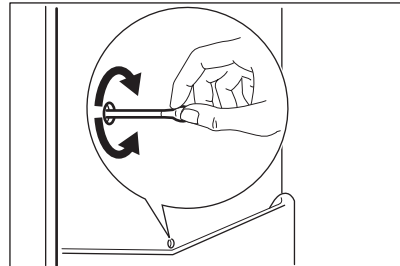
### 7.3 Defrosting of the refrigerator

Frost is automatically eliminated from the evaporator of the refrigerator compartment

during normal use. The defrost water drains out through a trough into a special container at the back of the appliance, over the motor compressor, where it evaporates.

It is important to periodically clean the defrost water drain hole in the middle of the refrigerator compartment channel to prevent the water overflowing and dripping onto the food inside.

For this purpose use the tube cleaner provided with the appliance.



### 7.4 Period of non-operation

When the appliance is not in use for long period, take the following precautions:

1. Disconnect the appliance from electricity supply.
2. Remove all food.
3. Clean the appliance and all accessories.
4. Leave the door open to prevent unpleasant smells.

## 8. TROUBLESHOOTING

### **WARNING!**

Refer to Safety chapters.

### 8.1 What to do if...

Problem	Possible cause	Solution
The appliance does not operate.	The appliance is switched off.	Switch on the appliance.
	The mains plug is not connected to the mains socket correctly.	Connect the mains plug to the mains socket correctly.
The appliance is noisy.	There is no voltage in the mains socket.	Connect a different electrical appliance to the mains socket. Contact a qualified electrician.
	The appliance is not supported properly.	Check if the appliance stands stable.
The compressor operates continually.	Temperature is set incorrectly.	Refer to "Control panel" chapter.
	Many food products were put in at the same time.	Wait a few hours and then check the temperature again.
Door is misaligned or interferes with ventilation grill.	The room temperature is too high.	Refer to "Installation" chapter.
	Food products placed in the appliance were too warm.	Allow food products to cool to room temperature before storing.
Door does not open easily.	The door is not closed correctly.	Refer to "Closing the door" section.
	The appliance is not levelled.	Refer to installation instructions.
The lamp does not work.	You attempted to re-open the door immediately after closing.	Wait a few seconds between closing and re-opening of the door.
	The lamp is defective.	Refer to "Replacing the lamp" section.
There is too much frost and ice.	The door is not closed correctly.	Refer to "Closing the door" section.
	The gasket is deformed or dirty.	Refer to "Closing the door" section.
	Food products are not wrapped properly.	Wrap the food products better.

<b>Problem</b>	<b>Possible cause</b>	<b>Solution</b>
	Temperature is set incorrectly.	Refer to "Control panel" chapter.
	Appliance is fully loaded and is set to the lowest temperature.	Set a higher temperature. Refer to "Control panel" chapter.
	Temperature set in the appliance is too low and the ambient temperature is too high.	Set a higher temperature. Refer to "Control panel" chapter.
Water flows on the rear plate of the refrigerator.	During the automatic defrosting process, frost melts on the rear plate.	This is correct.
There is too much condensed water on the rear wall of the refrigerator.	Door was opened too frequently.	Open the door only when necessary.
	Door was not closed completely.	Make sure the door is closed completely.
	Stored food was not wrapped.	Wrap food in suitable packaging before storing it in the appliance.
Water flows inside the refrigerator.	Food products prevent the water from flowing into the water collector.	Make sure that food products do not touch the rear plate.
	The water outlet is clogged.	Clean the water outlet.
Water flows on the floor.	The melting water outlet is not connected to the evaporative tray above the compressor.	Attach the melting water outlet to the evaporative tray.
The temperature in the appliance is too low/too high.	The temperature is not set correctly.	Set a higher/lower temperature.
	The door is not closed correctly.	Refer to "Closing the door" section.
	The food products' temperature is too high.	Let the food products temperature decrease to room temperature before storage.
	Many food products are stored at the same time.	Store less food products at the same time.
	The door has been opened often.	Open the door only if necessary.
	There is no cold air circulation in the appliance.	Make sure that there is cold air circulation in the appliance. Refer to "Hints and tips" chapter.

**i** If the advice does not lead to the desired result, call the nearest Authorized Service Centre.

## 8.2 Replacing the lamp

**i** The appliance is equipped with a long-life LED interior light.

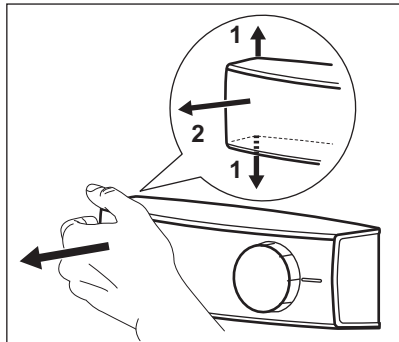
**i** It is strongly recommended to use original spare parts only.

**i** Use LED bulbs (E14 base) only. The maximum power is shown on the lamp unit.

### **!** CAUTION!

Disconnect the plug from the mains socket.

1. Pull the left side of the lamp cover with your fingers to unlock it. Remove the cover by pulling it towards yourself.

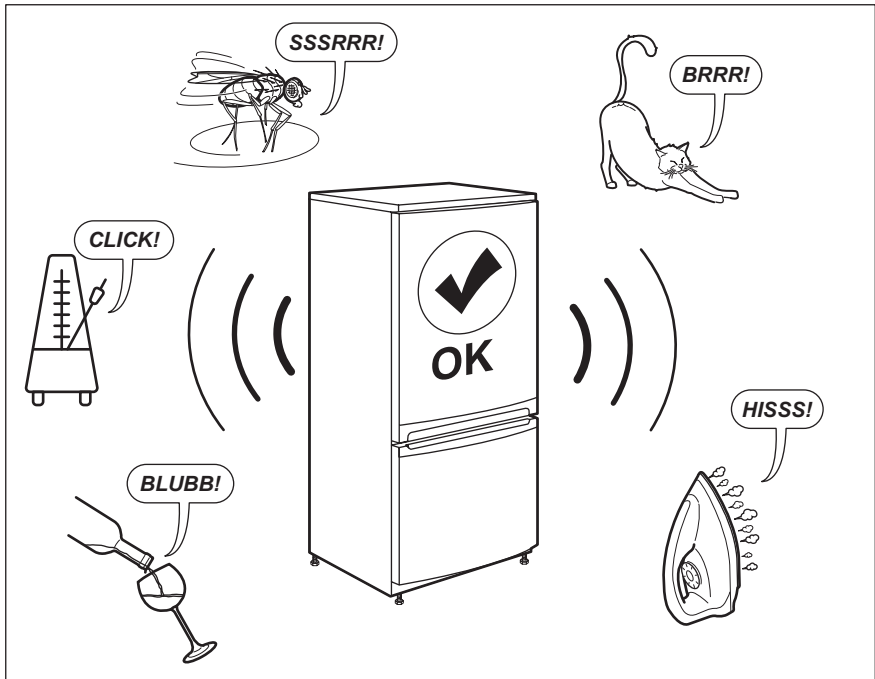


2. Replace the bulb with one of the same power and shape, specifically designed for household appliances.
3. Install the lamp cover.
4. Connect the plug to the mains socket.
5. Open the door.  
Make sure that the light switches on.

## 8.3 Closing the door

1. Clean the door gaskets.
2. If necessary, adjust the door. Refer to installation instructions.
3. If necessary, replace the defective door gaskets. Contact the Authorised Service Centre.

## 9. NOISES



## 10. TECHNICAL DATA

The technical information is situated in the rating plate on the internal side of the appliance and on the energy label.

The QR code on the energy label supplied with the appliance provides a web link to the information related to the performance of the appliance in the EU EPREL database. Keep the energy label for reference together with the user manual and all other documents provided with this appliance.

It is also possible to find the same information in EPREL using the link <https://eprel.ec.europa.eu> and the model name and product number that you find on the rating plate of the appliance.


See the link [www.theenergylabel.eu](http://www.theenergylabel.eu) for detailed information about the energy label.


## 11. INFORMATION FOR TEST INSTITUTES

Installation and preparation of the appliance for any EcoDesign verification shall be compliant with EN 62552 (EU). Ventilation requirements, recess dimensions and minimum rear clearances shall be as stated

in this User Manual in "Installation". Please contact the manufacturer for any other further information, including loading plans.

## 12. ENVIRONMENTAL CONCERNS

Recycle materials with the symbol . Put the packaging in relevant containers to recycle it. Help protect the environment and human health by recycling waste of electrical and electronic appliances. Do not dispose of

appliances marked with the symbol  with the household waste. Return the product to your local recycling facility or contact your municipal office.



# INHALTSVERZEICHNIS

1. SICHERHEITSHINWEISE.....	17
2. SICHERHEITSANWEISUNGEN.....	19
3. MONTAGE.....	21
4. BEDIENFELD.....	24
5. TÄGLICHER GEBRAUCH.....	24
6. TIPPS UND HINWEISE.....	26
7. REINIGUNG UND PFLEGE.....	27
8. PROBLEMBEHEBUNG.....	28
9. GERÄUSCHE.....	31
10. TECHNISCHE DATEN.....	31
11. INFORMATIONEN FÜR PRÜFINSTITUTE.....	31
12. INFORMATIONEN ZUR ENTSORGUNG.....	32

Änderungen vorbehalten.

## 1. ⚠ SICHERHEITSHINWEISE

Lesen Sie vor der Montage und dem Gebrauch des Geräts zuerst die Bedienungsanleitung. Bei Verletzungen oder Schäden infolge nicht ordnungsgemäßer Montage oder Verwendung übernimmt der Hersteller keine Haftung. Bewahren Sie die Anleitung zum Nachschlagen an einem sicheren und zugänglichen Ort auf.

### 1.1 Sicherheit von Kindern und schutzbedürftigen Personen

- Das Gerät kann von Kindern ab 8 Jahren und Personen mit eingeschränkten physischen, sensorischen oder geistigen Fähigkeiten oder mit mangelnder Erfahrung/mangelndem Wissen benutzt werden, wenn sie durch eine für ihre Sicherheit zuständige Person beaufsichtigt werden oder von dieser Person Anweisungen erhalten haben, wie das Gerät sicher zu bedienen ist und welche Gefahren bei nicht ordnungsgemäßer Bedienung bestehen.
- Kinder zwischen 3 und 8 Jahren dürfen das Gerät be- und entladen, vorausgesetzt, sie wurden ordnungsgemäß eingewiesen.

- Dieses Gerät kann von Personen mit schweren und komplexen Behinderungen benutzt werden, vorausgesetzt, sie wurden ordnungsgemäß eingewiesen.
- Halten Sie Kinder unter 3 Jahren vom Gerät fern, wenn sie nicht ständig beaufsichtigt werden.
- Kinder sollten beaufsichtigt werden, um sicherzustellen, dass sie nicht mit dem Gerät.
- Kinder dürfen keine Reinigung und Wartung des Geräts ohne Beaufsichtigung durchführen.
- Halten Sie sämtliches Verpackungsmaterial von Kindern fern und entsorgen Sie es ordnungsgemäß.

## **1.2 Allgemeine Sicherheit**

- Dieses Gerät ist nur für die Aufbewahrung von Lebensmitteln und Getränken bestimmt.
- Dieses Gerät ist für den häuslichen Gebrauch im Haushalt in Innenräumen konzipiert.
- Dieses Gerät darf in Büros, Hotelzimmern, Gästezimmern in Pensionen, Bauernhöfen und anderen ähnlichen Unterkünften verwendet werden, wenn diese Nutzung das (durchschnittliche) Nutzungsniveau im Haushalt nicht überschreitet.
- Um eine Kontaminierung von Lebensmitteln zu vermeiden, beachten Sie die folgenden Hinweise:
  - Öffnen Sie die Tür nicht über längere Zeit hinweg;
  - Reinigen Sie regelmäßig Oberflächen, die mit Lebensmitteln in Kontakt kommen können, und zugängliche Ablaufsysteme;
  - Lagern Sie rohes Fleisch und Fisch in geeigneten Behältern im Kühlschrank, so dass sie nicht mit anderen Lebensmitteln in Berührung kommen oder auf diese tropfen.
- **WARNUNG:** Halten Sie die Lüftungsöffnungen im Gerätegehäuse oder in der Einbaunische frei von Hindernissen.

- **WARNUNG:** Versuchen Sie nicht, den Abtauvorgang durch andere als vom Hersteller empfohlene mechanische oder sonstige Hilfsmittel zu beschleunigen.
- **WARNUNG:** Achten Sie darauf, den Kältekreislauf nicht zu beschädigen.
- **WARNUNG:** Betreiben Sie in den Lebensmittelfächern des Geräts keine anderen als die vom Hersteller empfohlenen Elektrogeräte.
- Reinigen Sie das Gerät nicht mit Wasserspray oder Dampf.
- Reinigen Sie das Gerät mit einem weichen, feuchten Tuch. Verwenden Sie ausschließlich Neutralreiniger. Verwenden Sie keine Scheuermittel, Scheuerschwämme, scharfe Reinigungsmittel oder Metallgegenstände.
- Wenn das Gerät längere Zeit leer steht, schalten Sie es aus, tauen Sie es ab, reinigen und trocknen Sie es und lassen Sie die Tür offen, um Schimmelbildung im Gerät zu vermeiden.
- Bewahren Sie keine explosiven Substanzen wie Aerosoldosen mit brennbarem Treibgas in diesem Gerät auf.
- Wenn das Netzkabel beschädigt ist, muss es vom Hersteller, einem autorisierten Kundendienst oder einer ähnlich qualifizierten Person zur Vermeidung einer Gefahrenquelle ersetzt werden.

## 2. SICHERHEITSANWEISUNGEN

### 2.1 Montage

#### **WARNUNG!**

Nur eine qualifizierte Fachkraft darf die Montage des Geräts vornehmen.

- Entfernen Sie das gesamte Verpackungsmaterial.
- Montieren Sie ein beschädigtes Gerät nicht und benutzen Sie es nicht.
- Verwenden Sie das Gerät aus Sicherheitsgründen nicht, bevor es in den Einbauschränk gesetzt wird.
- Halten Sie sich an die mitgelieferte Montageanleitung.
- Seien Sie beim Umsetzen des Gerätes vorsichtig, da es sehr schwer ist. Tragen Sie stets Sicherheitshandschuhe und festes Schuhwerk.
- Stellen Sie sicher, dass die Luft um das Gerät zirkulieren kann.
- Warten Sie nach der Montage oder dem Wechsel des Türanschlags mindestens 4 Stunden, bevor Sie das Gerät an die Stromversorgung anschließen. So kann das Öl in den Kompressor zurückfließen.
- Ziehen Sie den Stecker aus der Steckdose, bevor Sie am Gerät arbeiten (z.B. Wechsel des Türanschlags).
- Stellen Sie das Gerät nicht in der Nähe von Heizkörpern oder Herden, Backöfen

oder Kochfeldern auf, es sei denn, in der Installationsanleitung ist etwas anderes angegeben.

- Setzen Sie das Gerät nicht dem Regen aus.
- Installieren Sie das Gerät nicht an einem Ort mit direkter Sonneneinstrahlung.
- Stellen Sie dieses Gerät nicht in Bereichen auf, die zu feucht oder kalt sind.
- Wenn Sie das Gerät verschieben, heben Sie es an der Vorderkante an, um den Fußboden nicht zu verkratzen.

## 2.2 Elektrischer Anschluss

### **WARNUNG!**

Brand- und Stromschlaggefahr.

### **WARNUNG!**

Achten Sie bei der Montage des Geräts darauf, dass das Netzkabel nicht eingeklemmt oder beschädigt wird.

### **WARNUNG!**

Verwenden Sie keine Mehrfachsteckdosen und Verlängerungskabel.

- Das Gerät muss geerdet sein.
- Stellen Sie sicher, dass die Daten auf dem Typenschild mit den elektrischen Nennwerten der Netzspannung übereinstimmen.
- Schließen Sie das Gerät nur an eine ordnungsgemäß installierte Schutzkontaktsteckdose an.
- Achten Sie darauf, die elektrischen Bauteile nicht zu beschädigen (z. B. Netzstecker, Netzkabel, Kompressor). Wenden Sie sich zum Austausch elektrischer Bauteile an das autorisierte Service-Zentrum oder einen Elektriker.
- Das Netzkabel muss unterhalb des Netzsteckers liegen.
- Stecken Sie den Netzstecker erst nach Abschluss der Montage in die Steckdose. Stellen Sie sicher, dass der Netzstecker nach der Montage noch zugänglich ist.
- Ziehen Sie nicht am Netzkabel, wenn Sie das Gerät von der Stromversorgung trennen möchten. Ziehen Sie stets am Netzstecker.

## 2.3 Gebrauch

### **WARNUNG!**

Es besteht Verletzungs-, Verbrennungs-, Stromschlag- oder Brandgefahr.



Das Gerät enthält Isobutan (R600a), ein brennbares Erdgas mit einem hohen Grad an Umweltverträglichkeit. Achte darauf, den Kältekreislauf, der Isobutan enthält, nicht zu beschädigen.

- Nehmen Sie keine technischen Änderungen am Gerät vor.
- Jegliche Verwendung des eingebauten Produkts als freistehendes Produkt ist strengstens untersagt.
- Stelle keine elektrischen Geräte (z. B. Eisbereiter) in das Gerät, wenn solche Geräte nicht ausdrücklich vom Hersteller für diesen Zweck zugelassen sind.
- Wird der Kältekreislauf beschädigt, stelle bitte sicher, dass keine Flammen und Zündquellen im Raum vorhanden sind. Lüfte den Raum.
- Achte darauf, dass keine heißen Gegenstände auf die Kunststoffteile des Geräts gelangen.
- Lagere keine brennbaren Gase und Flüssigkeiten im Gerät.
- Platziere keine entflammaren Produkte oder Gegenstände, die mit entflammaren Produkten benetzt sind, im Gerät, auf dem Gerät oder in der Nähe des Geräts.
- Berühre nicht den Kompressor oder den Kondensator. Diese sind heiß.
- Achte darauf, dass keine Lebensmittel mit den Innenwänden der Gerätefächer in Berührung kommen.

## 2.4 Innenbeleuchtung

### **WARNUNG!**

Stromschlaggefahr.

- Dieses Produkt enthält eine oder mehrere Lichtquellen der Energieeffizienzklasse G.
- Bezüglich der Lampe(n) in diesem Gerät und separat verkaufter Ersatzlampen: Diese Lampen müssen extremen physikalischen Bedingungen in Haushaltsgeräten standhalten, wie z.B. Temperatur, Vibration, Feuchtigkeit, oder

sollen Informationen über den Betriebszustand des Gerätes anzeigen. Sie sind nicht für den Einsatz in anderen Geräten vorgesehen und nicht für die Raumbelichtung geeignet.

## 2.5 Reinigung und Pflege

### **WARNUNG!**

Andernfalls besteht Verletzungsgefahr und das Gerät könnte beschädigt werden.

- Schalten Sie das Gerät immer aus und ziehen Sie den Netzstecker aus der Steckdose, bevor Reinigungsarbeiten durchgeführt werden.
- Der Kältekreis des Gerätes enthält Kohlenwasserstoffe. Das Gerät muss von einer qualifizierten Fachkraft gewartet und nachgefüllt werden.
- Prüfen Sie regelmäßig den Wasserabfluss des Geräts und reinigen Sie ihn gegebenenfalls. Bei verstopftem Wasserabfluss sammelt sich das Abtauwasser am Boden des Geräts an.

## 2.6 Wartung

- Wenden Sie sich zur Reparatur des Geräts an den autorisierten Kundendienst. Dabei dürfen ausschließlich Originalersatzteile verwendet werden.
- Bitte beachten Sie, dass eigene Reparaturen oder Reparaturen, die nicht von Fachkräften durchgeführt werden, die Sicherheit des Geräts beeinträchtigen und zum Erlöschen der Garantie führen können.

- Die folgenden Ersatzteile werden auch nach dem Auslauf des Modells 7 Jahre lang vorgehalten: Thermostate, Temperatursensoren, Platinen, Lichtquellen, Lichtquellen, Türscharniere, Backbleche und Körbe. Bitte beachten Sie, dass einige dieser Ersatzteile nur an Reparaturbetriebe geliefert werden können und nicht alle Ersatzteile für alle Modelle relevant sind.
- Türdichtungen sind innerhalb von 10 Jahren nach Produkteinstellung des Modells erhältlich.

## 2.7 Entsorgung

### **WARNUNG!**

Verletzungs- und Erstickungsgefahr.

- Trennen Sie das Gerät von der Stromversorgung.
- Schneiden Sie das Netzkabel ab, und entsorgen Sie es.
- Entfernen Sie die Tür, um zu verhindern, dass sich Kinder oder Haustiere in dem Gerät einschließen.
- Der Kältekreislauf und die Isolierungsmaterialien dieses Gerätes sind ozonfreundlich.
- Die Isolierung enthält entzündliches Gas. Für Informationen zur korrekten Entsorgung des Gerätes wenden Sie sich an Ihre kommunale Behörde.
- Achten Sie darauf, dass die Kühleinheit in der Nähe des Wärmetauschers nicht beschädigt wird.

## 3. MONTAGE

### **WARNUNG!**

Siehe Kapitel „Sicherheitshinweise“.

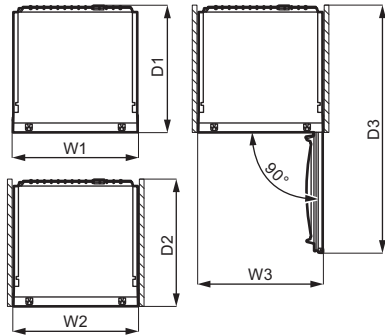
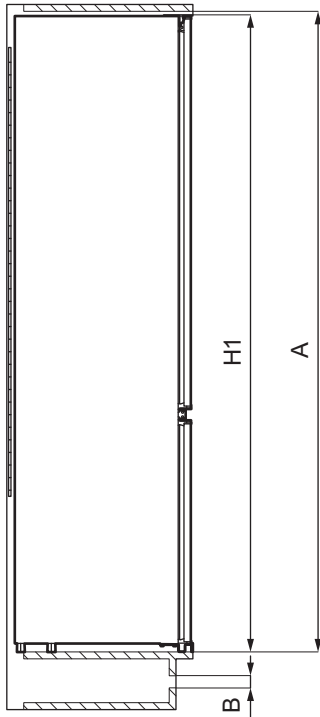
### **WARNUNG!**

Lesen Sie zur Installation des Geräts die Montageanleitung.

### **WARNUNG!**

Befestigen Sie das Gerät gemäß der Montageanleitung, um das Risiko eines instabilen Geräts zu vermeiden.

### 3.1 Abmessungen



#### Gesamtabmessungen <sup>1</sup>

H1	mm	1218
W1*	mm	548
D1	mm	549

<sup>1</sup> Höhe, Breite und Tiefe des Geräts ohne Griff

\* einschließlich der Breite der unteren Scharniere (8 mm)

#### Platzbedarf während des Betriebs <sup>2</sup>

H2 (A+B)	mm	1261
W2*	mm	548
D2	mm	551
A	mm	1225

#### Platzbedarf während des Betriebs <sup>2</sup>

B	mm	36
---	----	----

<sup>2</sup> Höhe, Breite und Tiefe des Geräts einschließlich Griff und zuzüglich des notwendigen Freiraums für die Zirkulation der Kühlluft

\* einschließlich der Breite der unteren Scharniere (8 mm)

#### Platzbedarf insgesamt während des Betriebs <sup>3</sup>

H3 (A+B)	mm	1261
W3*	mm	548
D3	mm	1071

<sup>3</sup> Höhe, Breite und Tiefe des Geräts einschließlich Griff plus des notwendigen Freiraums für die Zirkulation der Kühlluft, zuzüglich des Platzes, der notwendig ist, um eine Türöffnung bis zu dem minimalen Winkel zu ermöglichen, der die Entfernung der gesamten Innenausstattung erlaubt

\* einschließlich der Breite der unteren Scharniere (8 mm)

### 3.2 Aufstellungsort

Um die bestmögliche Funktionalität des Geräts zu gewährleisten, sollten Sie das Gerät nicht an einem Ort mit direkter Sonneneinstrahlung aufstellen. Stellen Sie das Gerät nicht in der Nähe von Heizkörpern oder Herden, Backöfen oder Kochfeldern auf, es sei denn, in der Installationsanleitung ist etwas anderes angegeben.

Stellen Sie sicher, dass die Luft frei um die Geräterückseite zirkulieren kann.

Dieses Gerät sollte in einem trockenen, gut belüfteten Innenbereich aufgestellt werden.

Dieses Gerät ist für den Einsatz bei einer Umgebungstemperatur von 10°C bis 43°C vorgesehen.

**i** Der ordnungsgemäße Betrieb des Geräts wird nur innerhalb des angegebenen Temperaturbereichs gewährleistet.

**i** Wenn Sie Zweifel bezüglich der Installation des Geräts haben, wenden Sie sich bitte an den Verkäufer, unseren Kundenservice oder an den nächstgelegenen autorisierten Kundenservice.

**i** Es muss möglich sein, das Gerät vom Netz zu trennen. Daher muss der Stecker nach der Installation zugänglich bleiben.

### 3.3 Elektrischer Anschluss

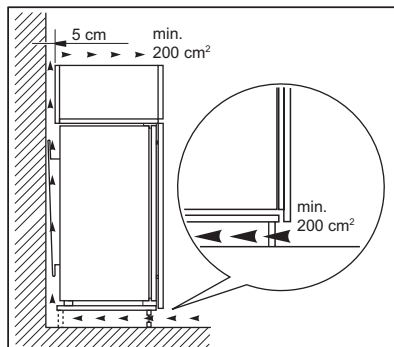
- Stellen Sie vor dem Anschließen sicher, dass die auf dem Typenschild angezeigte

Spannung und Frequenz mit Ihrer Hausstromversorgung übereinstimmt.

- Das Gerät muss geerdet sein. Der Netzstecker des Stromkabels ist hierfür mit einem Kontakt versehen. Wenn die Steckdose nicht geerdet ist, schließen Sie das Gerät gemäß den geltenden Vorschriften an eine separate Erdung an und wenden Sie sich an einen qualifizierten Elektriker.
- Der Hersteller lehnt jegliche Verantwortung ab, wenn die oben genannten Sicherheitsvorkehrungen nicht eingehalten werden.

### 3.4 Anforderungen an die Belüftung

Der Luftstrom hinter dem Gerät muss ausreichend sein.



#### **! VORSICHT!**

Lesen Sie die Montageanleitungen für die Installation.

### 3.5 Wechseln des Türanschlags

Informationen zu Montage und zum Wechseln des Türanschlags finden Sie in einer separaten Anleitung.

#### **! VORSICHT!**

Wenn Sie den Türanschlag wechseln, schützen Sie den Boden mit einem strapazierfähigem Material vor Verkratzungen.

## 4. BEDIENFELD

### 4.1 Einschalten des Geräts

1. Stecken Sie den Stecker in die Netzsteckdose.
2. Drehen Sie den Temperaturregler im Uhrzeigersinn auf eine mittlere Einstellung.

### 4.2 Ausschalten des Geräts

Drehen Sie den Temperaturregler zum Ausschalten des Geräts in die Position „0“.

### 4.3 Temperaturregelung

Die Temperatur wird automatisch geregelt. Sie können jedoch selbst die Temperatur im Inneren des Gerätes einstellen.

Berücksichtigen Sie für eine exakte Einstellung, dass die Temperatur im Inneren des Geräts von folgenden Faktoren abhängt:

- Raumtemperatur,
- Häufigkeit der Türöffnung,
- Menge der gelagerten Lebensmittel,
- Gerätestandort.

Eine mittlere Einstellung ist im Allgemeinen am besten geeignet.

Bedienung des Geräts:

1. Drehen Sie den Temperaturregler im Uhrzeigersinn, um eine niedrigere Temperatur im Inneren des Gerätes zu erreichen.
2. Drehen Sie den Temperaturregler gegen den Uhrzeigersinn, um eine höhere Temperatur im Inneren des Gerätes zu erreichen.

## 5. TÄGLICHER GEBRAUCH



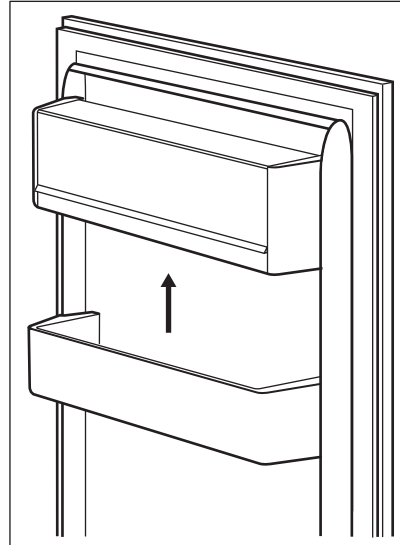
### **VORSICHT!**

Dieses Kühlgerät eignet sich nicht zum Einfrieren von Lebensmitteln.

### 5.1 Positionieren der Türablagen

Um die Lagerung von Lebensmittelpackungen verschiedener Größen zu ermöglichen, können die Türunterteilungsfächer in verschiedenen Höhen angeordnet werden.

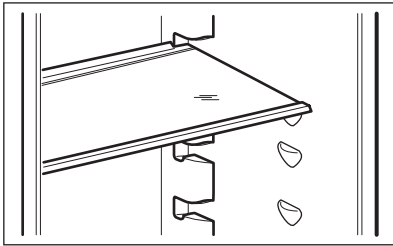
1. Ziehen Sie die Ablage langsam nach oben, bis diese sich löst.
2. Positionieren Sie diese neu wie erforderlich.





## 5.2 Verstellbare Ablagen

Die Wände des Kühlschranks sind mit einer Reihe von Führungsschienen ausgestattet, die verschiedene Möglichkeiten für das Einsetzen der Ablagen bieten.



**i** Die Glasablage über der Gemüseschublade sollte jedoch nicht verstellbar werden, um eine korrekte Luftzirkulation zu gewährleisten.

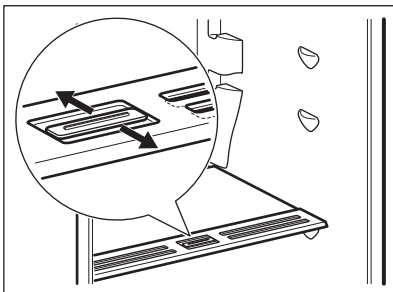
## 5.3 Obst- / Gemüseschublade

Im unteren Teil des Geräts befindet sich eine spezielle Schublade, die sich zur Aufbewahrung von Obst und Gemüse eignet.

## 5.4 Feuchtigkeitsregelung

Die Glasablage verfügt über eine Vorrichtung mit Schlitzen (einstellbar mit einem Schieber), die es ermöglicht, die Feuchtigkeit in der(n) Gemüseschublade(n) zu regulieren.

**i** Legen Sie keine Lebensmittel auf die Feuchtigkeitskontrolle.



Die Position des Feuchtigkeitsreglers hängt von der Art und der Menge des Obstes und Gemüses ab:

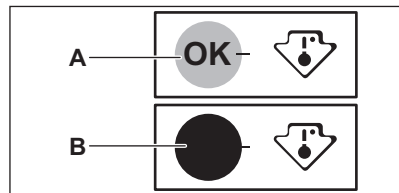
- Schlitz geschlossen: empfohlen für eine kleine Menge Obst und Gemüse. So bleibt der natürliche Feuchtigkeitsgehalt im Obst und Gemüse länger erhalten.
- Geöffnete Schlitz: empfohlen für eine große Menge an Obst und Gemüse. Auf diese Weise führt eine höhere Luftzirkulation zu einer geringeren Luftfeuchtigkeit.

## 5.5 Temperaturanzeige

Für die richtige Lagerung von Lebensmitteln ist der Kühlschrank mit der Temperaturanzeige ausgestattet. Das Symbol an der Seitenwand des Geräts zeigt den kältesten Bereich im Kühlschrank an.

Wenn OK angezeigt wird (A), lagern Sie die frischen Lebensmittel im Bereich, der durch das Symbol angezeigt wird. Bei (B) warten Sie mindestens 12 Stunden und prüfen Sie, ob OK (A) angezeigt wird.

Wird OK nicht angezeigt (B), wählen Sie eine kältere Einstellung.

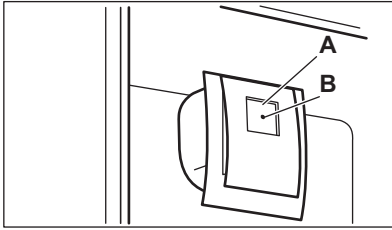


## 5.6 DYNAMICAIR

Das Kühlfach ist mit einer Vorrichtung ausgestattet, die das schnelle Abkühlen von Lebensmitteln ermöglicht und eine gleichmäßigere Temperatur im Fach aufrechterhält.

**i** Schalten Sie die Vorrichtung ein, wenn Sie eine große Menge Lebensmittel abkühlen müssen, oder wenn die Raumtemperatur über 35 °C liegt, um eine gleichmäßigere Innentemperatur zu gewährleisten.

Drücken Sie zum Einschalten des Lüfters die Taste (A). Die grüne Kontrolllampe (B) leuchtet auf.



**i** Denken Sie daran, den Lüfter durch Drücken der Taste (A) auszuschalten, bevor Sie das Gerät ausschalten. Das grüne Licht (B) verschwindet.

## 6. TIPPS UND HINWEISE

### 6.1 Tipps zum Energiesparen


- Die effizienteste Energienutzung wird erreicht, wenn die Schubladen im unteren Teil des Geräts eingesetzt und die Ablagen gleichmäßig angeordnet sind. Die Position der Türablagen wirkt sich nicht auf den Energieverbrauch aus.
- Öffnen Sie die Tür nicht zu häufig, und lassen Sie diese nicht länger offen als notwendig.
- Stellen Sie die Temperatur nicht zu hoch ein, um Energie zu sparen, es sei denn, dies ist wegen der Beschaffenheit des Lebensmittels erforderlich.
- Wenn die Umgebungstemperatur hoch ist, der Temperaturregler auf eine niedrige Temperatur eingestellt und das Gerät voll beladen ist, kann es zu andauerndem Betrieb des Kompressors und damit zu Reif- oder Eisbildung am Verdampfer kommen. Stellen Sie in diesem Fall den Temperaturregler auf eine höhere Temperatur, um das automatische Abtauen zu ermöglichen und Energie zu sparen.
- Sorgen Sie für eine gute Belüftung. Bedecken Sie die Belüftungsgitter oder -öffnungen nicht.

### 6.2 Tipps für die Kühlung frischer Lebensmittel

- Eine mittlere Einstellung stellt eine gute Konservierung von frischen Lebensmitteln sicher. Eine höhere Temperatureinstellung im Gerät kann die Haltbarkeit der Lebensmittel verkürzen.
- Decken Sie die Lebensmittel mit Verpackungsmaterial ab, um ihre Frische und ihr Aroma zu bewahren.

- Verwenden Sie immer geschlossene Behälter für Flüssigkeiten und Lebensmittel, um Düfte oder Gerüche im Fach zu vermeiden.
- Um eine Kreuzkontamination zwischen gekochten und rohen Lebensmitteln zu vermeiden, decken Sie die gekochten Lebensmittel ab und trennen Sie sie von den rohen.
- Es wird empfohlen, Lebensmittel im Kühlschrank aufzutauen.
- Stellen Sie keine warmen Lebensmittel in das Gerät. Vergewissern Sie sich, dass sie auf Raumtemperatur abgekühlt sind, bevor Sie sie in das Gerät stellen.
- Um eine Verschwendung von Lebensmitteln zu vermeiden, sollten neue Lebensmittel immer hinter die alten gelegt werden.

### 6.3 Hinweise für die Kühlung von Lebensmitteln

- Das Fach für frische Lebensmittel ist (auf dem Typenschild) gekennzeichnet mit .
- Fleisch (alle Sorten): Wickeln Sie Fleisch in geeignetes Material und legen Sie dieses auf die Glasablage über der Gemüseschublade. Lagern Sie Fleisch höchstens 1 - 2 Tage.
- Obst und Gemüse: Gründlich reinigen (Erde entfernen) und in die spezielle Schublade (Obst- und Gemüseschublade) legen.
- Es wird empfohlen, exotische Früchte wie Bananen, Mangos, Papayas usw. nicht im Kühlschrank aufzubewahren.
- Gemüse wie Tomaten, Kartoffeln, Zwiebeln und Knoblauch sollten nicht im Kühlschrank aufbewahrt werden.

- Butter und Käse: Diese sollten stets in luftdichten Behältern verpackt sein oder in Aluminiumfolie bzw. in Polyäthylenbeutel eingepackt werden, um so wenig Luft wie möglich in der Verpackung zu haben.
- Flaschen: Sie sollten mit Deckel in der Flaschenablage in der Tür oder im Flaschenhalter (falls vorhanden) aufbewahrt werden.
- Es wird empfohlen für eine schnellere Kühlung der Produkte den Ventilator einzuschalten. Durch das Einschalten von DYNAMICAIR wird eine gleichmäßigere Innentemperatur erzielt.
- Achten Sie auf das Haltbarkeitsdatum der Lebensmittel, damit Sie wissen, wie lange sie gelagert werden können.

## 7. REINIGUNG UND PFLEGE

### **⚠️ WARNUNG!**

Siehe Kapitel „Sicherheitshinweise“.

### 7.1 Reinigung des Innenraums

Vor der ersten Verwendung des Geräts sollten der Innenraum und das gesamte interne Zubehör mit lauwarmem Wasser und etwas neutraler Seife gewaschen werden, um den typischen Geruch eines brandneuen Produkts zu entfernen, und anschließend gründlich getrocknet werden.

### **⚠️ VORSICHT!**

Verwenden Sie keine chemischen Reinigungsmittel, Scheuerpulver, chlor- oder ölhaltige Reinigungsmittel, da diese die Oberfläche beschädigen.

### **⚠️ VORSICHT!**

Das Zubehör und die Teile des Geräts sind nicht zur Reinigung im Geschirrspüler geeignet.

### 7.2 Regelmäßige Reinigung

Das gesamte Gerät muss regelmäßig gereinigt werden:

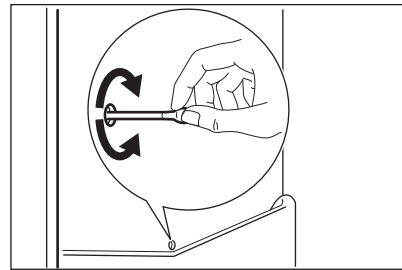
1. Reinigen Sie das Innere und die Zubehörteile mit lauwarmem Wasser und etwas Neutraleife.
2. Prüfen und säubern Sie die Türdichtungen in regelmäßigen Abständen, um zu gewährleisten, dass diese sauber und frei von Fremdkörpern sind.
3. Spülen und trocknen Sie diese sorgfältig ab.

### 7.3 Abtauen des Kühlschranks

Bei normalem Betrieb wird Reif automatisch von dem Verdampfer des Kühlschranks entfernt. Das Abtauwasser läuft durch eine Wanne in einen speziellen Behälter an der Rückseite des Geräts über den Motorkompressor ab, wo es verdampft.

Es ist wichtig, das Abflussloch für das Abtauwasser in der Mitte des Kühlfachkanals regelmäßig zu reinigen, um zu verhindern, dass das Wasser überläuft und auf die Lebensmittel im Inneren tropft.

Benutzen Sie hierfür den Rohrreiner, der mit dem Gerät geliefert wird.



### 7.4 Stillstandszeiten

Bei längerem Stillstand des Geräts müssen Sie folgende Vorkehrungen treffen:

1. Trennen Sie das Gerät von der Stromversorgung.
2. Entfernen Sie alle Lebensmittel.
3. Reinigen Sie das Gerät und alle Zubehörteile.
4. Lassen Sie die Tür offen, um unangenehme Gerüche zu vermeiden.

## 8. PROBLEMBEHEBUNG

### **WARNUNG!**

Siehe Kapitel „Sicherheitshinweise“.

### 8.1 Was zu tun ist, wenn ...

Störung	Mögliche Ursache	Lösung
Das Gerät funktioniert nicht.	Das Gerät ist ausgeschaltet.	Schalte das Gerät ein.
	Der Netzstecker ist nicht richtig in die Netzsteckdose eingesteckt.	Stecke den Netzstecker richtig in die Netzsteckdose.
Das Gerät ist laut.	Die Netzsteckdose hat keine Netzspannung.	Schließe ein anderes Elektrogerät an der Netzsteckdose an. Wende dich an einen qualifizierten Elektriker.
	Das Gerät ist nicht ordnungsgemäß abgestützt.	Prüfe, ob sich das Gerät in einer stabilen Position befindet.
Der Kompressor arbeitet ständig.	Die Temperatur ist falsch eingestellt.	Siehe Kapitel „Bedienfeld“.
	Es wurden viele Lebensmittel gleichzeitig hineingelegt.	Warte einige Stunden und prüfe erneut die Temperatur.
	Die Raumtemperatur ist zu hoch.	Siehe Kapitel „Montage“.
	Die Lebensmittel, die im Gerät aufbewahrt werden, waren zu warm.	Lass die Lebensmittel vor deren Aufbewahrung auf Raumtemperatur abkühlen.
Die Tür ist falsch ausgerichtet oder beeinträchtigt das Lüftungsgitter.	Die Tür ist nicht richtig geschlossen.	Siehe Abschnitt „Schließen der Tür“.
	Das Gerät ist nicht ausgerichtet.	Siehe Montageanleitung.
Die Tür lässt sich nicht leicht öffnen.	Du hast versucht, die Tür unmittelbar nach dem Schließen erneut zu öffnen.	Warte einige Sekunden zwischen dem Schließen und erneutem Öffnen der Tür.
Die Lampe funktioniert nicht.	Die Lampe ist defekt.	Siehe Abschnitt „Austauschen der Lampe“.
Zu viel Frost und Eis.	Die Tür ist nicht richtig geschlossen.	Siehe Abschnitt „Schließen der Tür“.
	Die Dichtung ist verzogen oder verschmutzt.	Siehe Abschnitt „Schließen der Tür“.

<b>Störung</b>	<b>Mögliche Ursache</b>	<b>Lösung</b>
	Die Lebensmittel sind nicht richtig verpackt.	Verpacke die Lebensmittel besser.
	Die Temperatur ist falsch eingestellt.	Siehe Kapitel „Bedienfeld“.
	Das Gerät ist voll von Lebensmitteln und auf die niedrigste Temperatur eingestellt.	Stelle eine höhere Temperatur ein. Siehe Kapitel „Bedienfeld“.
	Die Temperatur im Gerät ist zu niedrig, und die Umgebungstemperatur ist zu hoch.	Stelle eine höhere Temperatur ein. Siehe Kapitel „Bedienfeld“.
Wasser fließt an der Rückwand des Kühlschranks herunter.	Während des automatischen Abtauprozesses taut das Eis an der Rückwand ab.	Das ist richtig.
An der Rückwand des Kühlschranks befindet sich zu viel Kondenswasser.	Die Tür wurde zu häufig geöffnet.	Öffne die Tür nur bei Bedarf.
	Die Tür wurde nicht vollständig geschlossen.	Achte darauf, dass die Tür vollständig geschlossen ist.
	Die aufbewahrten Lebensmittel waren nicht verpackt.	Packe die Lebensmittel richtig ein, bevor Du diese in das Gerät legst.
Wasser fließt im Innern des Kühlschranks herunter.	Lebensmittel verhindern das Abfließen des Wassers in den Wassersammler.	Achte darauf, dass die Lebensmittel nicht die Rückwand berühren.
	Der Wasserablauf ist verstopft.	Reinige den Wasserablauf.
Wasser fließt auf den Boden.	Der Tauwasserablauf ist nicht an die Verdampfungsschale über dem Kompressor angeschlossen.	Bringe den Tauwasserablauf an der Verdampfungsschale an.
Die Temperatur im Gerät ist zu niedrig / zu hoch.	Die Temperatur ist nicht richtig eingestellt.	Stelle eine höhere / niedrigere Temperatur ein.
	Die Tür ist nicht richtig geschlossen.	Siehe Abschnitt „Schließen der Tür“.
	Die Temperatur der Lebensmittel ist zu hoch.	Lass die Lebensmittel auf Raumtemperatur abkühlen, bevor Du diese in das Kühlgerät legst.
	Viele Lebensmittel werden gleichzeitig in das Kühlgerät gelegt.	Lege weniger Lebensmittel gleichzeitig in das Kühlgerät.
	Die Tür wurde zu oft geöffnet.	Öffne die Tür nur bei Bedarf.

Störung	Mögliche Ursache	Lösung
	Im Gerät herrscht keine Kaltluftzirkulation.	Stelle sicher, dass die Kaltluft im Gerät zirkulieren kann. Siehe Kapitel „Tipps und Hinweise“.

**i** Wenn die Ratschläge nicht zum gewünschten Ergebnis führen, wende dich an das nächstgelegene autorisierte Servicezentrum.

## 8.2 Austauschen der Lampe

**i** Das Gerät ist mit einer langlebigen LED-Innenbeleuchtung ausgestattet.

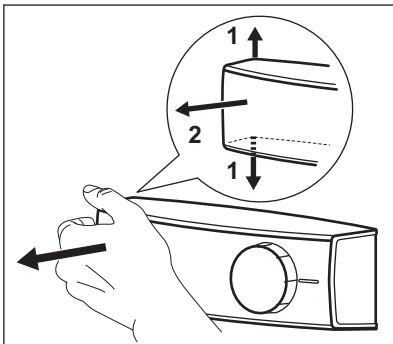
**i** Es wird dringend empfohlen, nur Originalersatzteile zu verwenden.

**i** Verwenden Sie nur LED-Lampen (E14 Fassung). Die maximale Leistung ist auf der Lampe angegeben.

### **!** VORSICHT!

Ziehen Sie den Stecker aus der Wandsteckdose.

1. Ziehen Sie mit den Fingern an der linken Seite der Lampenabdeckung, um sie zu entriegeln. Entfernen Sie die Abdeckung, indem Sie sie zu sich ziehen.

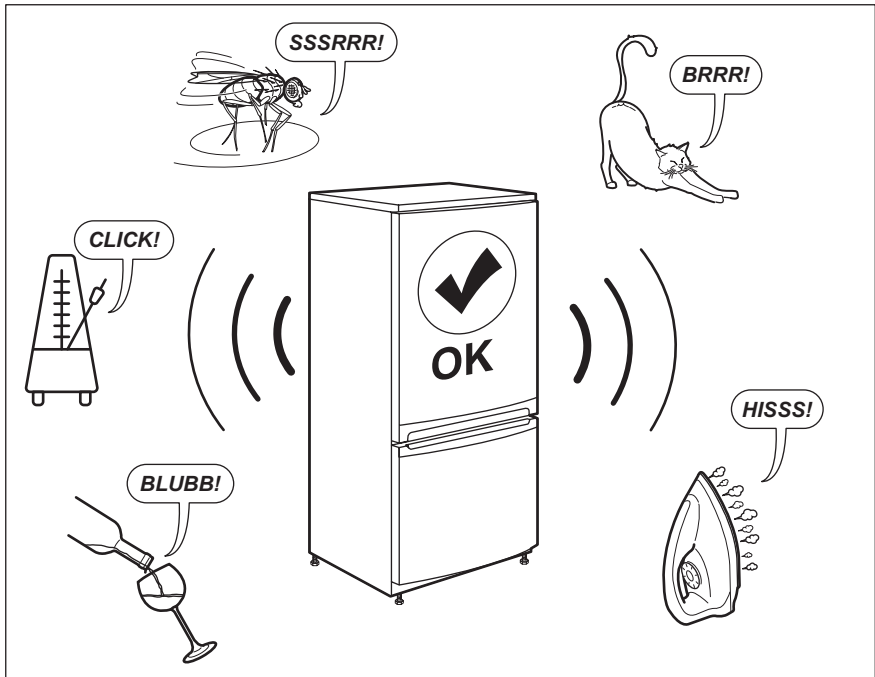


2. Ersetzen Sie die defekte Lampe durch eine Lampe mit der gleichen Leistung und Form, die speziell für Haushaltsgeräte vorgesehen ist.
3. Montieren Sie die Lampenabdeckung.
4. Stecken Sie den Stecker in die Netzsteckdose.
5. Öffnen Sie die Tür. Prüfen Sie, ob die Lampe sich einschalten lässt.

## 8.3 Schließen der Tür

1. Reinigen Sie die Türdichtungen.
2. Passen Sie die Tür bei Bedarf an. Siehe Montageanleitung.
3. Tauschen Sie bei Bedarf die defekten Türdichtungen aus. Wenden Sie sich an den autorisierten Kundendienst.

## 9. GERÄUSCHE



## 10. TECHNISCHE DATEN

Die technischen Daten befinden sich auf dem Typenschild innen im Gerät sowie auf der Energieplakette.

Der QR-Code auf der Energieplakette des Geräts bietet einen Web-Link zu Informationen über die Geräteleistung in der EU EPREL-Datenbank. Bewahren Sie daher die Energieplakette als Referenz zusammen mit dieser Bedienungsanleitung und allen anderen Unterlagen, die mit dem Gerät geliefert wurden, auf.

Es ist auch möglich, die gleichen Informationen in EPREL zu finden, indem Sie den Link <https://eprel.ec.europa.eu> sowie den Modellnamen und die Produktnummer, die Sie auf dem Typenschild des Geräts finden, verwenden.

Beachten Sie den Link [www.theenergylabel.eu](http://www.theenergylabel.eu) bezüglich detaillierter Informationen zur Energieplakette.

## 11. INFORMATIONEN FÜR PRÜFINSTITUTE

Die Installation und die Vorbereitung des Geräts für eine eventuelle EcoDesign-Prüfung müssen mit EN 62552 (EU) übereinstimmen. Die Lüftungsanforderungen,

die Abmessungen der Einbaunische und die Mindestabstände sind in dieser Bedienungsanleitung unter „Montage„ beschrieben. Weitere

Informationen erhalten Sie vom Hersteller, einschließlich der Beladungspläne.

## 12. INFORMATIONEN ZUR ENTSORGUNG

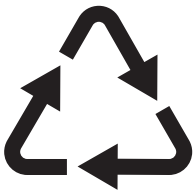
### Ihre Pflichten als Endnutzer



Dieses Elektro- bzw. Elektronikgerät ist mit einer durchgestrichenen Abfalltonne auf Rädern gekennzeichnet. Das Gerät darf deshalb nur getrennt vom unsortierten Siedlungsabfall gesammelt und zurückgenommen werden, es darf also nicht in den Hausmüll gegeben werden. Das Gerät kann z. B. bei einer kommunalen Sammelstelle oder ggf. bei einem Vertreter (siehe zu deren Rücknahmepflichten unten) abgegeben werden. Das gilt auch für alle Bauteile, Unterbaugruppen und Verbrauchsmaterialien des zu entsorgenden Altgeräts.

Bevor das Altgerät entsorgt werden darf, müssen alle Altbatterien und Altakkumulatoren vom Altgerät getrennt werden, die nicht vom Altgerät umschlossen sind. Das gleiche gilt für Lampen, die zerstörungsfrei aus dem Altgerät entnommen werden können. Der Endnutzer ist zudem selbst dafür verantwortlich, personenbezogene Daten auf dem Altgerät zu löschen.

### Hinweise zum Recycling



Helfen Sie mit, alle Materialien zu recyceln, die mit diesem Symbol gekennzeichnet sind. Entsorgen Sie solche Materialien, insbesondere Verpackungen, nicht im

Haumüll sondern über die bereitgestellten Recyclingbehälter oder die entsprechenden örtlichen Sammelsysteme.

Recyceln Sie zum Umwelt- und Gesundheitsschutz auch elektrische und elektronische Geräte.

### Rücknahmepflichten der Vertreter in Deutschland

Wer auf mindestens 400 m<sup>2</sup> Verkaufsfläche Elektro- und Elektronikgeräte vertreibt oder sonst geschäftlich an Endnutzer abgibt, ist verpflichtet, bei Abgabe eines neuen Geräts ein Altgerät des Endnutzers der gleichen Geräteart, das im Wesentlichen die gleichen Funktionen wie das neue Gerät erfüllt, am Ort der Abgabe oder in unmittelbarer Nähe hierzu unentgeltlich zurückzunehmen. Das gilt auch für Vertreter von Lebensmitteln mit einer Gesamtverkaufsfläche von mindestens 800 m<sup>2</sup>, die mehrmals im Kalenderjahr oder dauerhaft Elektro- und Elektronikgeräte anbieten und auf dem Markt bereitstellen. Solche Vertreter müssen zudem auf Verlangen des Endnutzers Altgeräte, die in keiner äußeren Abmessung größer als 25 cm sind (kleine Elektrogeräte), im Einzelhandelsgeschäft oder in unmittelbarer Nähe hierzu unentgeltlich zurückzunehmen; die Rücknahme darf in diesem Fall nicht an den Kauf eines Elektro- oder Elektronikgerätes geknüpft, kann aber auf drei Altgeräte pro Geräteart beschränkt werden.

Ort der Abgabe ist auch der private Haushalt, wenn das neue Elektro- oder Elektronikgerät dorthin geliefert wird; in diesem Fall ist die Abholung des Altgerätes für den Endnutzer kostenlos.

Die vorstehenden Pflichten gelten auch für den Vertrieb unter Verwendung von Fernkommunikationsmitteln, wenn die Vertreter Lager- und Versandflächen für Elektro- und Elektronikgeräte bzw. Gesamtlager- und -versandflächen für Lebensmittel vorhalten, die den oben genannten Verkaufsflächen entsprechen. Die



unentgeltliche Abholung von Elektro- und Elektronikgeräten ist dann aber auf Wärmeüberträger (z. B. Kühlschrank), Bildschirme, Monitore und Geräte, die Bildschirme mit einer Oberfläche von mehr als 100 cm<sup>2</sup> enthalten, und Geräte beschränkt, bei denen mindestens eine der äußeren Abmessungen mehr als 50 cm beträgt. Für alle übrigen Elektro- und Elektronikgeräte muss der Vertreiber geeignete Rückgabemöglichkeiten in zumutbarer Entfernung zum jeweiligen Endnutzer gewährleisten; das gilt auch für kleine Elektrogeräte (s.o.), die der Endnutzer zurückgeben will, ohne ein neues Gerät zu kaufen.

### **Rücknahmepflichten von Vertreibern und andere Möglichkeiten der Entsorgung von Elektro- und Elektronikgeräten in der Region Wallonien**

Vertreiber, die Elektro- und Elektronikgeräte verkaufen, sind verpflichtet, bei der Lieferung von Neugeräten Altgeräte desselben Typs,

die im Wesentlichen die gleichen Funktionen wie die Neugeräte erfüllen, kostenlos vom Endverbraucher zurückzunehmen. Dies gilt auch bei der Lieferung von neuen Elektro- und Elektronikgeräten oder beim Fernabsatz.

Darüber hinaus ist jeder, der Elektro- und Elektronikgeräte auf einer Verkaufsfläche von mindestens 400 m<sup>2</sup> verkauft, verpflichtet, Altgeräte, die in keiner äußeren Abmessung größer als 25 cm sind (Elektrokleingeräte), im Ladengeschäft oder in unmittelbarer Nähe kostenlos zurückzunehmen; die Rücknahme darf in diesem Fall nicht vom Kauf eines Elektro- oder Elektronikgerätes abhängig gemacht werden.

Die Rücknahme von Elektro- und Elektronikgeräten kann auch auf Containerplätzen oder zugelassenen Recyclinghöfen erfolgen. Für weitere Informationen wenden Sie sich bitte an Ihre Gemeindeverwaltung.







CE