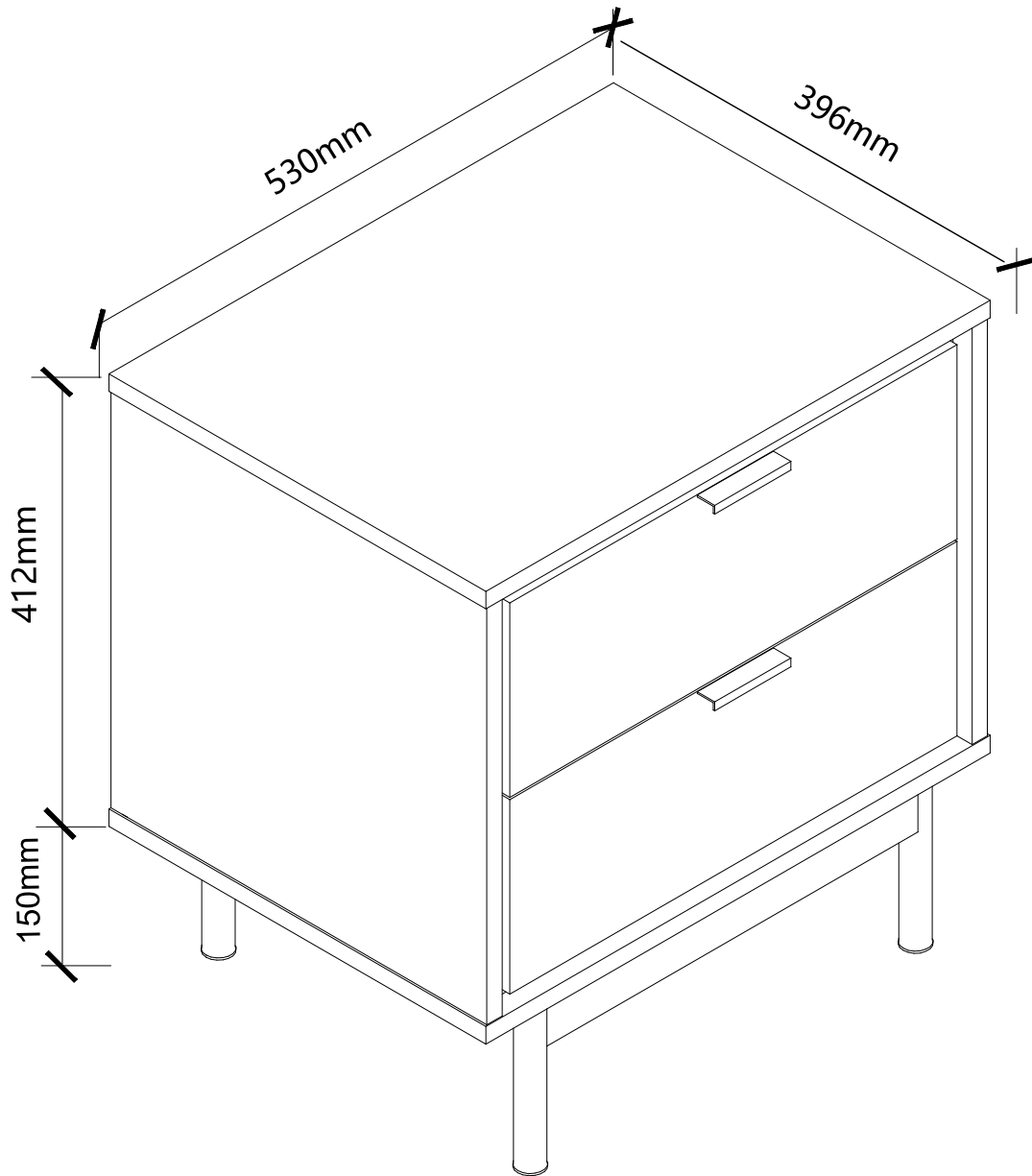
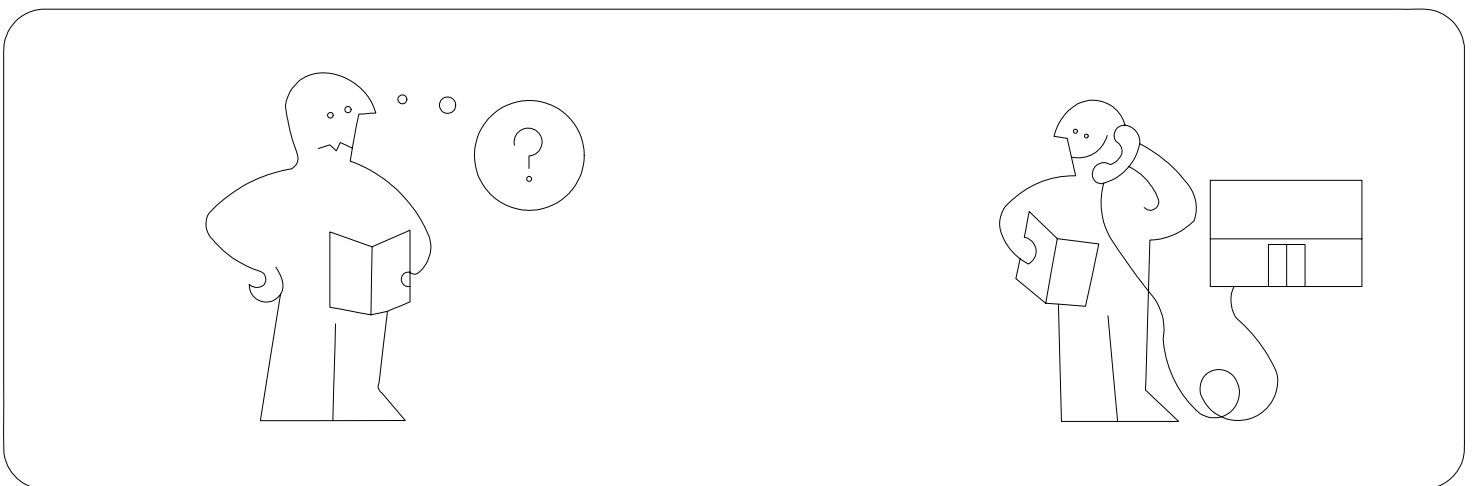
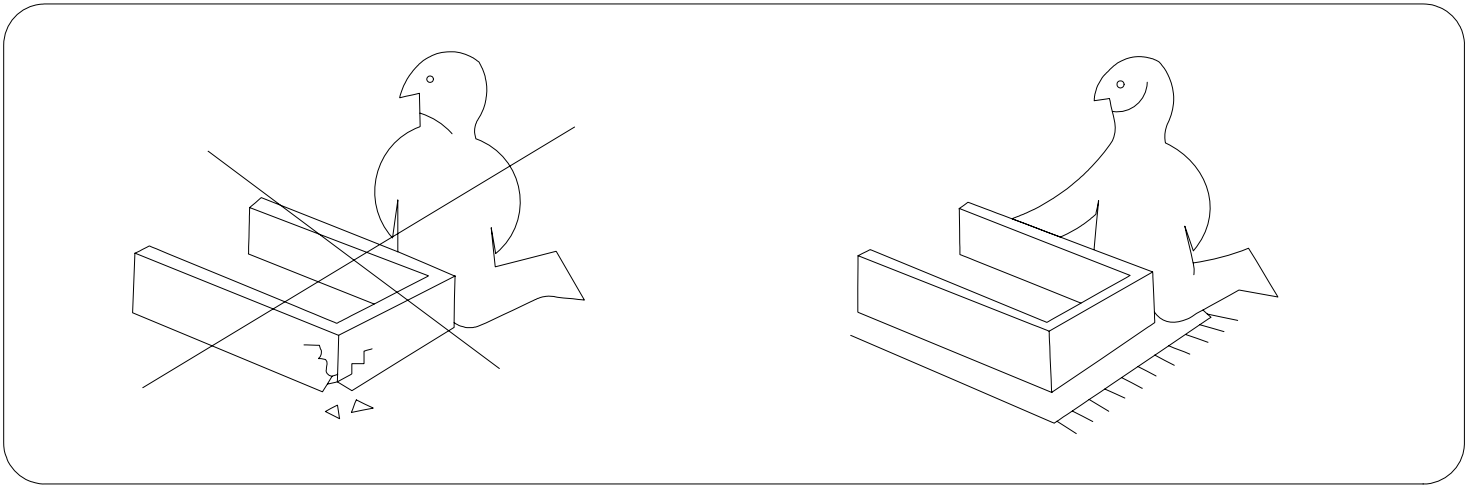
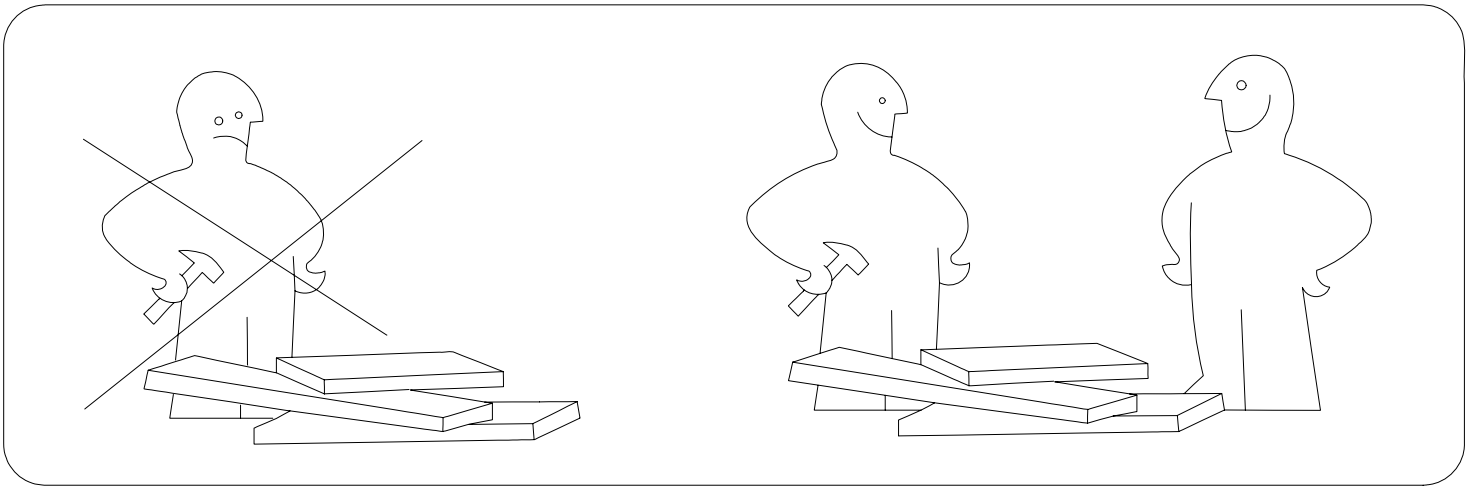
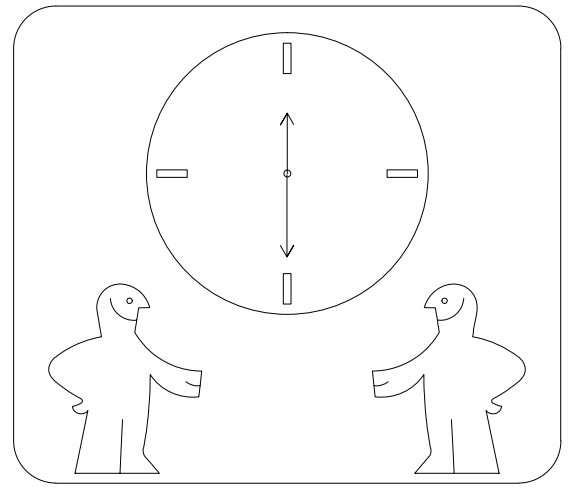
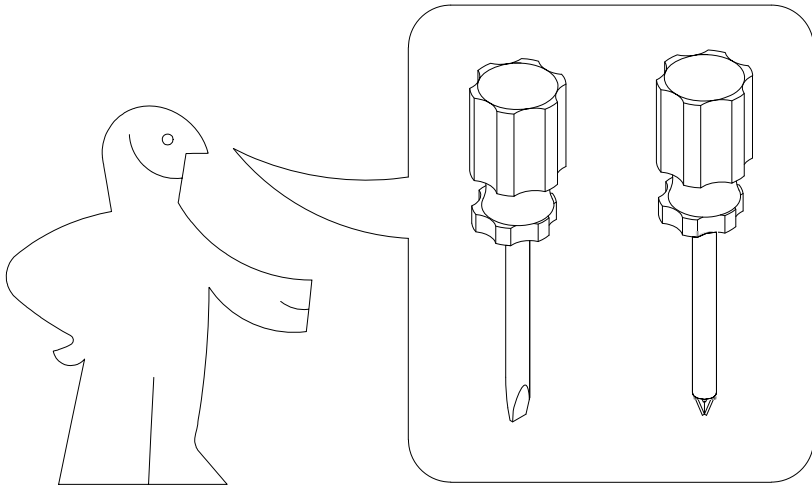
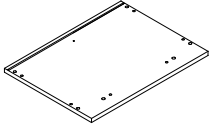
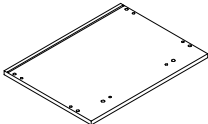
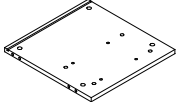
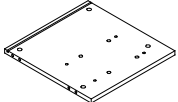
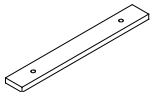
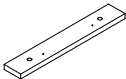
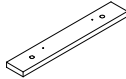
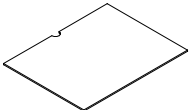
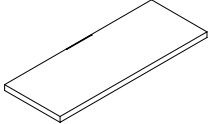
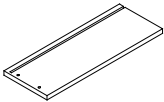
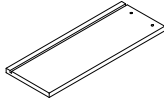
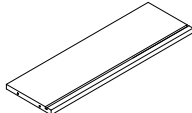
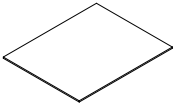


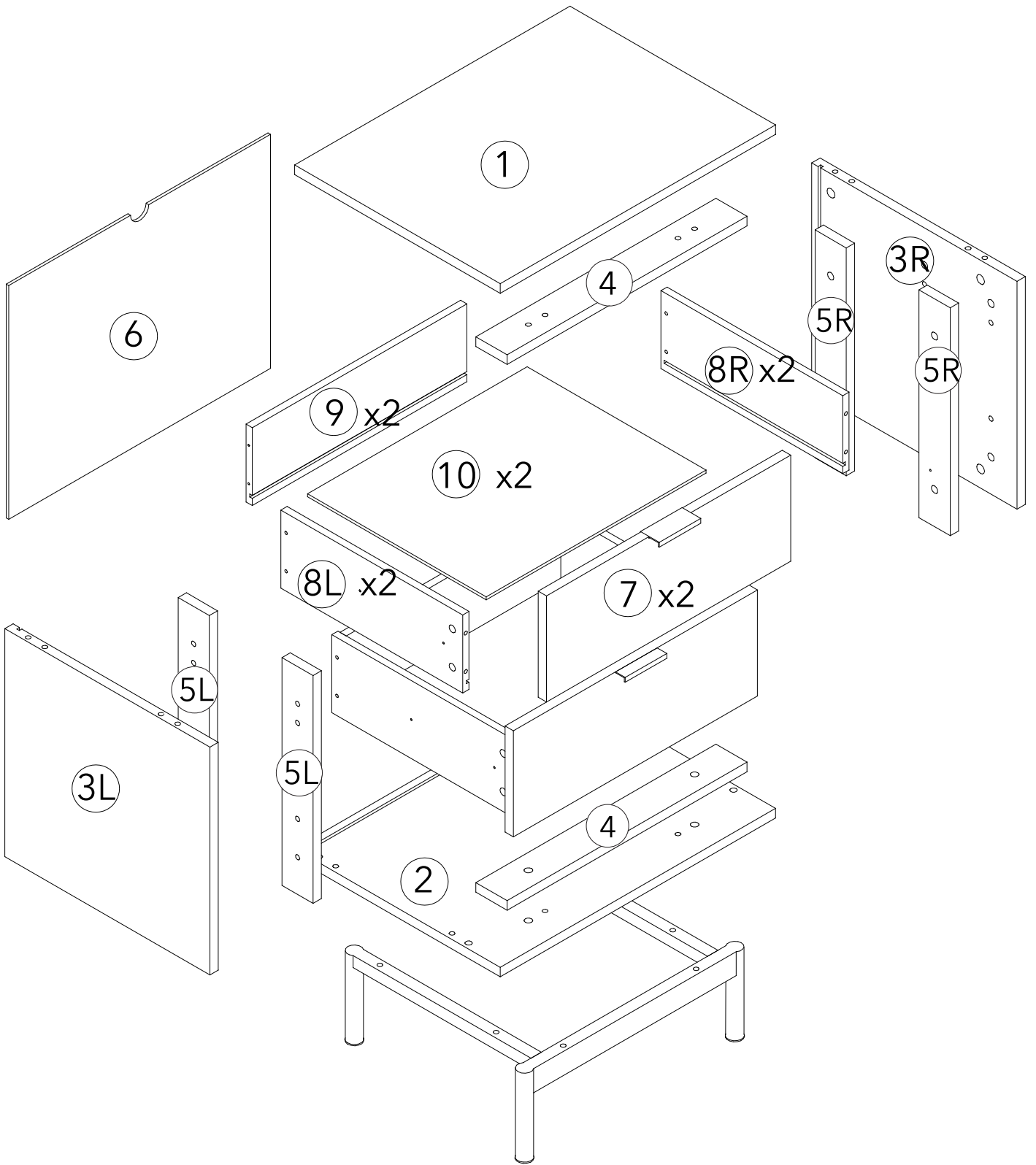
24790004/01





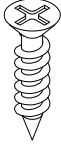
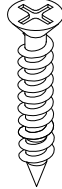
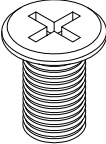
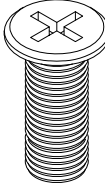
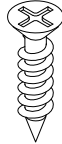
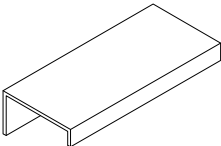
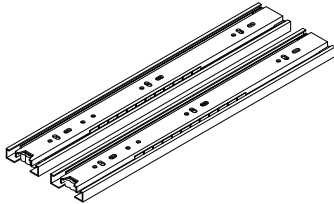
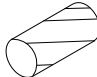
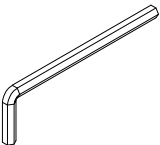
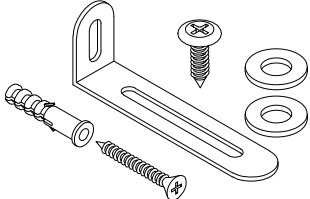
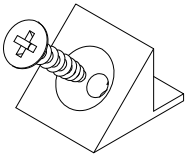
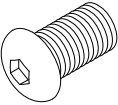

XXXLUTZ KG  
Roemerstrasse 39  
AT-4600 Wels, Austria  
E-Mail: info@xxxlutz.at

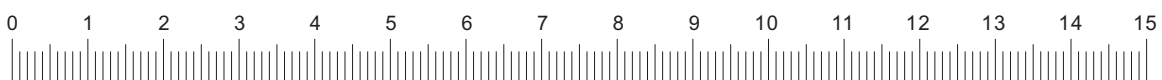




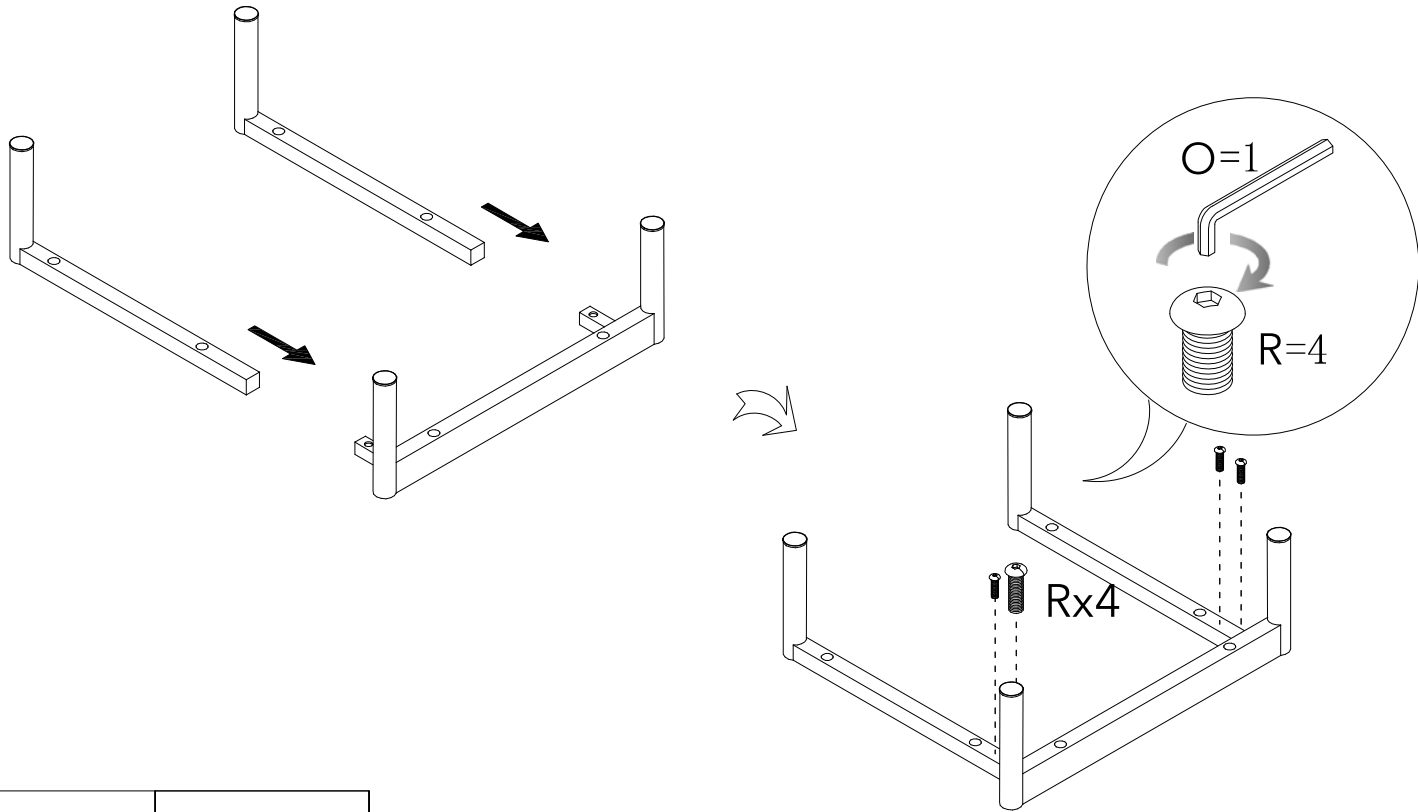
1	530x396x16		1
2	528x396x16		1
3L	380x395x16		1
3R	380x395x16		1
4	462x60x16		2
5L	380x60x16		2
5R	380x60x16		2
6	504x390x5		1
7	470x177x16		2
8L	350x130x12		2
8R	350x130x12		2
9	413x130x12		2
10	423x344x5		2

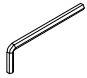
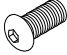


								
A	M6x40	8X	B	Ø15x11.5	8X	C	Ø8x30	8X
								
D	Ø12x10mm	8X	E	M4x14	16X	F	M4x30	8X
								
G	M6x12	6X	H	M6x20	12X	I	M4x14	4X
								
J	L=80	2X	K	10"	2X	N	Ø8x20	12X
								
O	4#	1X	P	/	1X	Q	/	4X
								
R	M6x16	4X	Z	Ø20	8X			

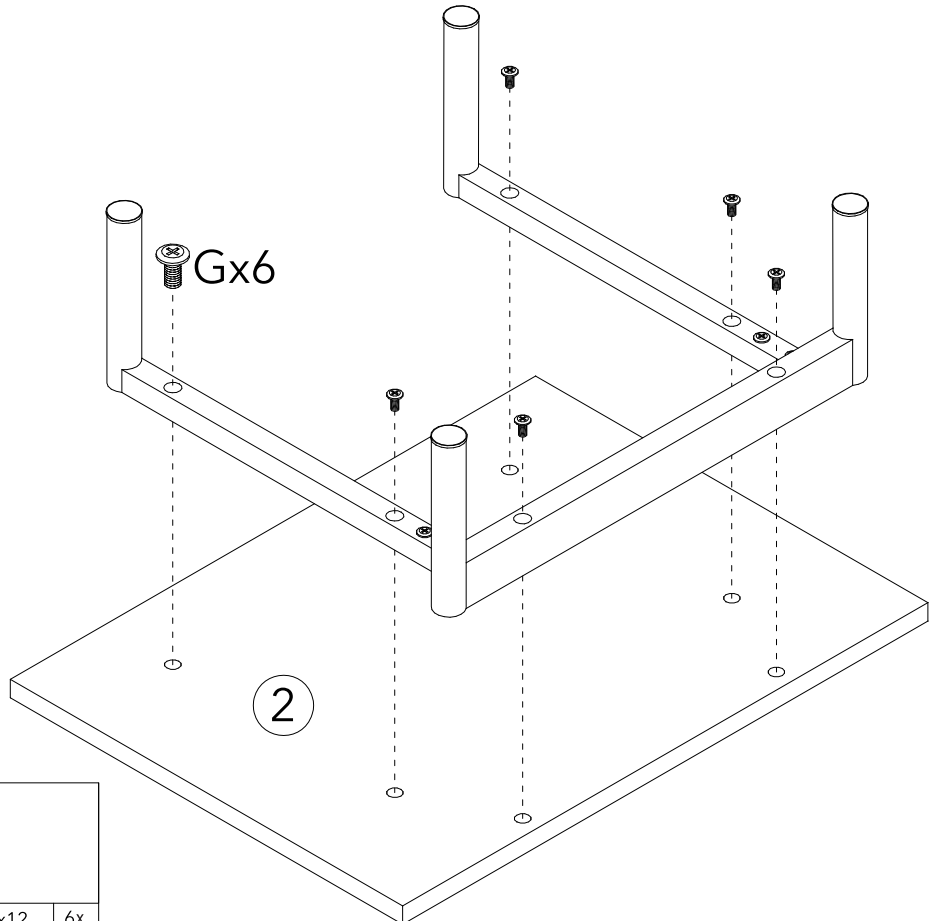


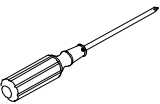

# 1



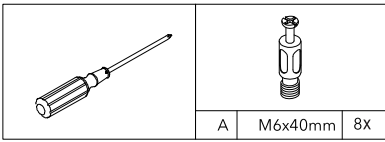
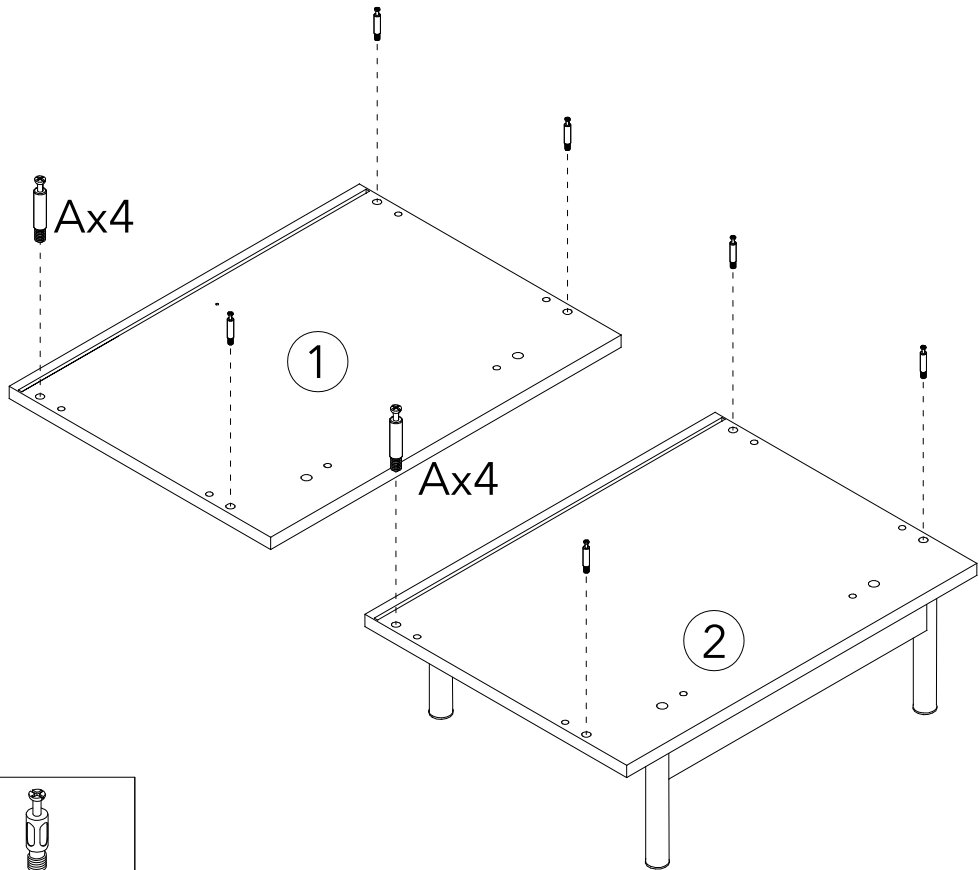
					
O	4#	1x	R	M6x16	4x

# 2

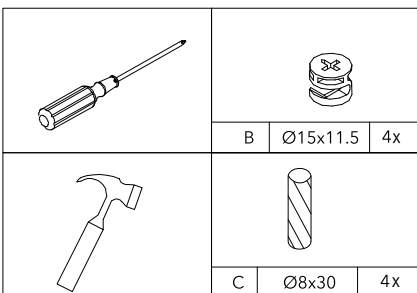
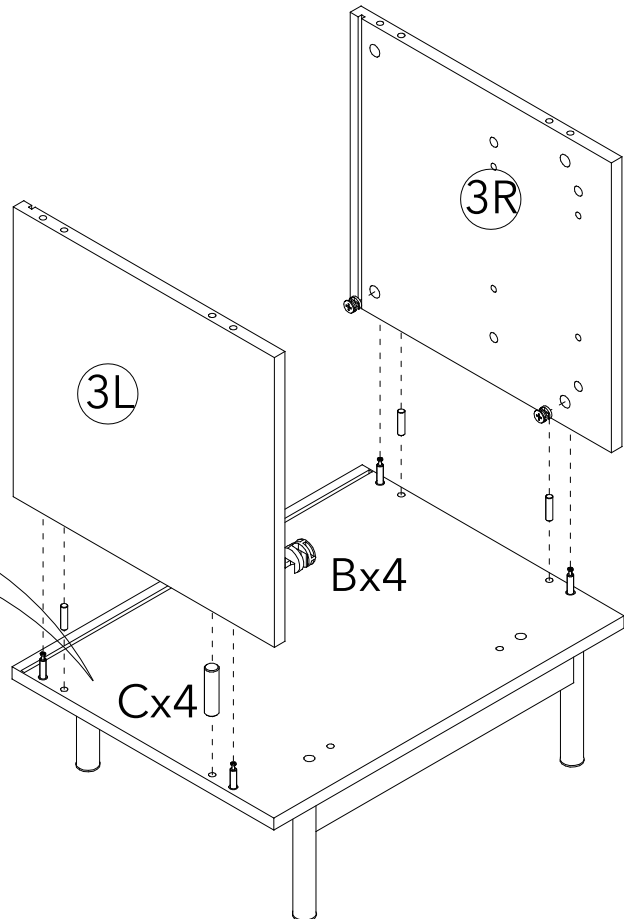
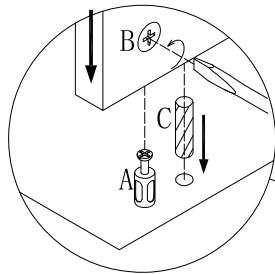
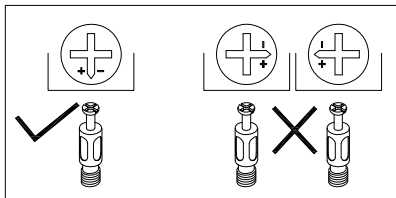


		
G	M6x12	6x

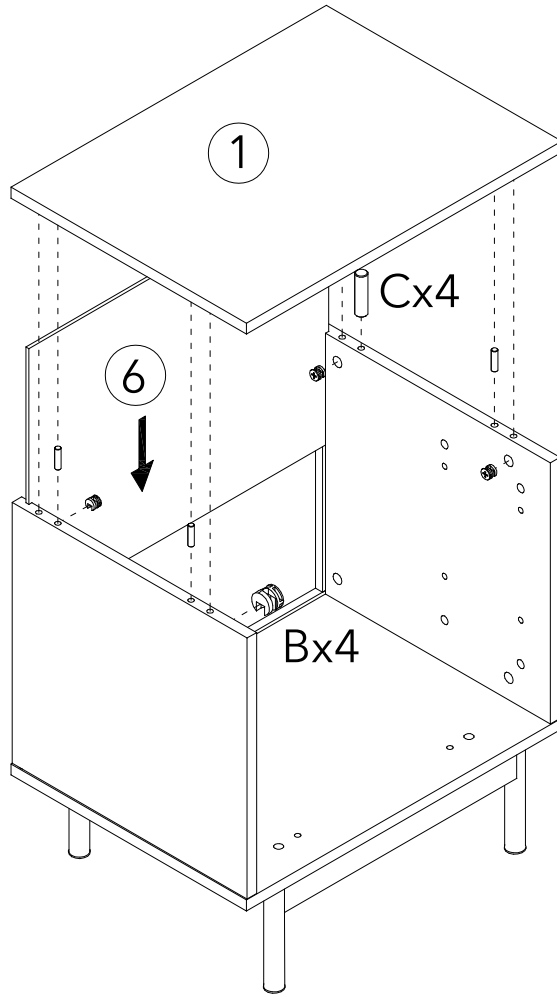
# 3



# 4

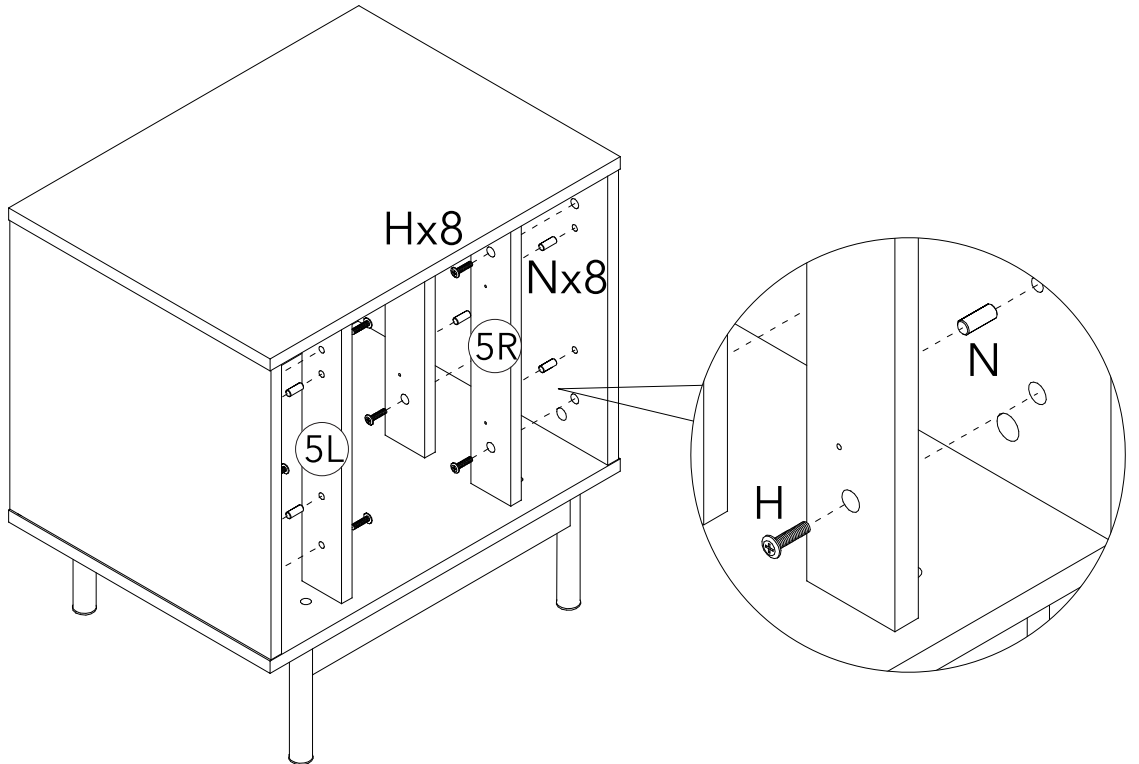


# 5



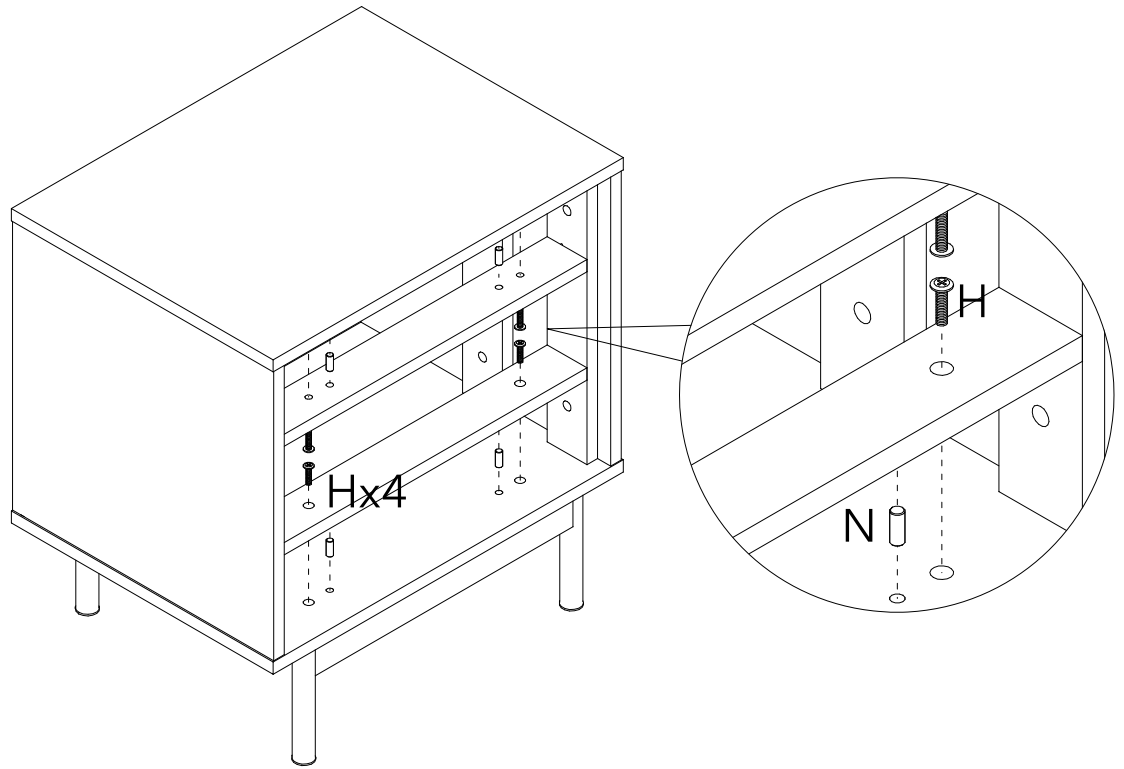
	B	Ø15x11.5	4x
	C	Ø8x30	4x

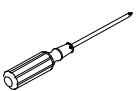


# 6



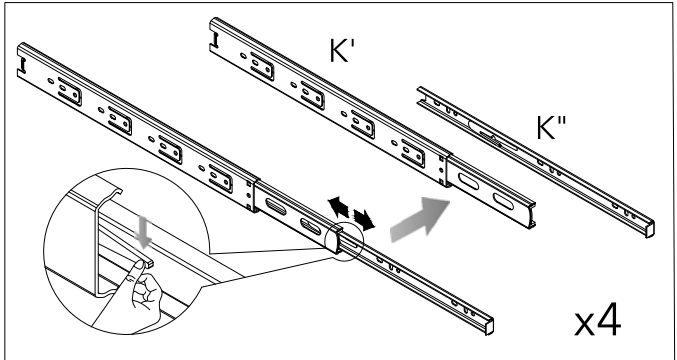
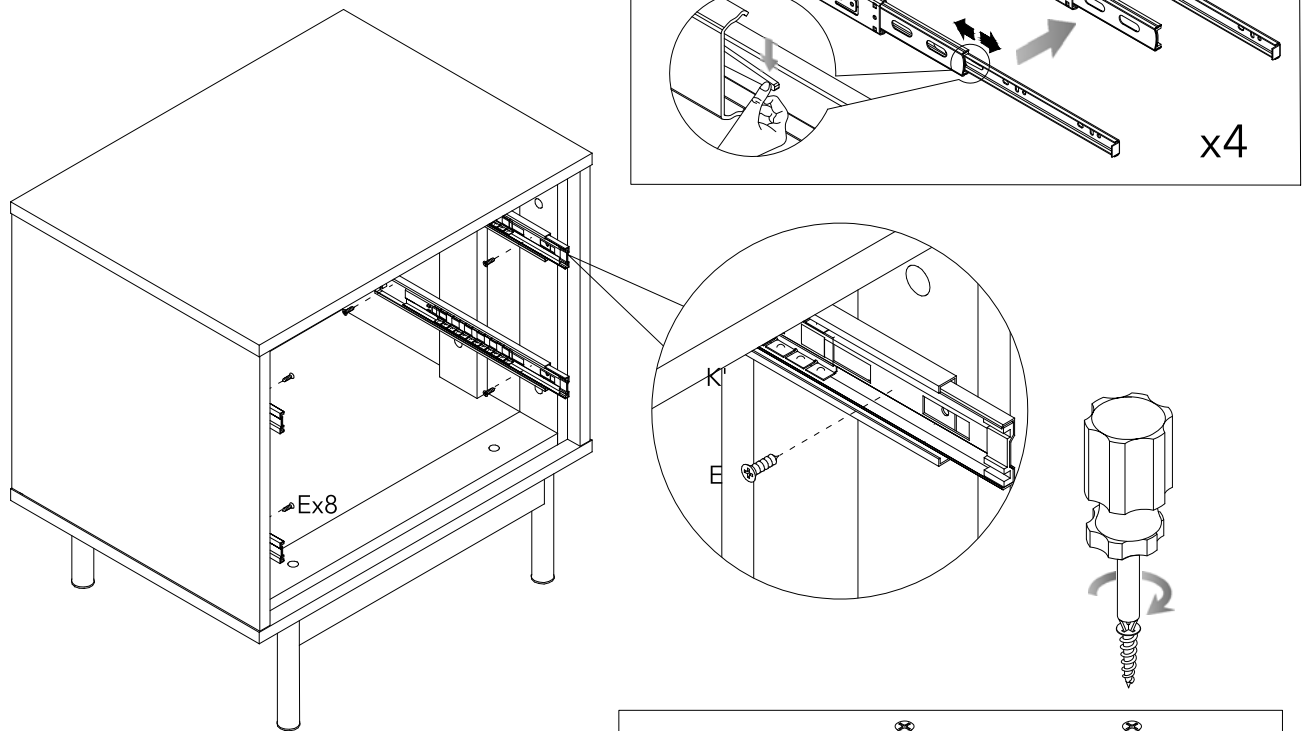
	N	Ø8x20	8x		H	M6x20

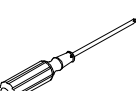

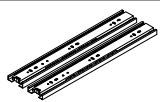
7

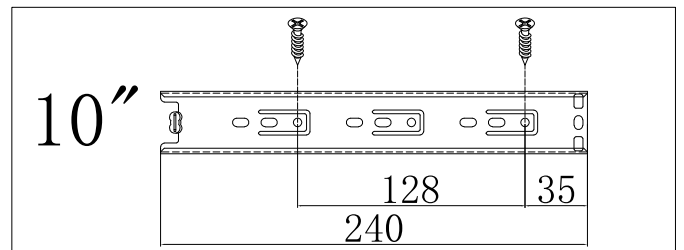


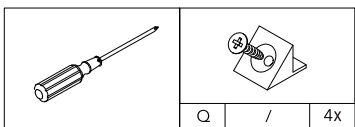
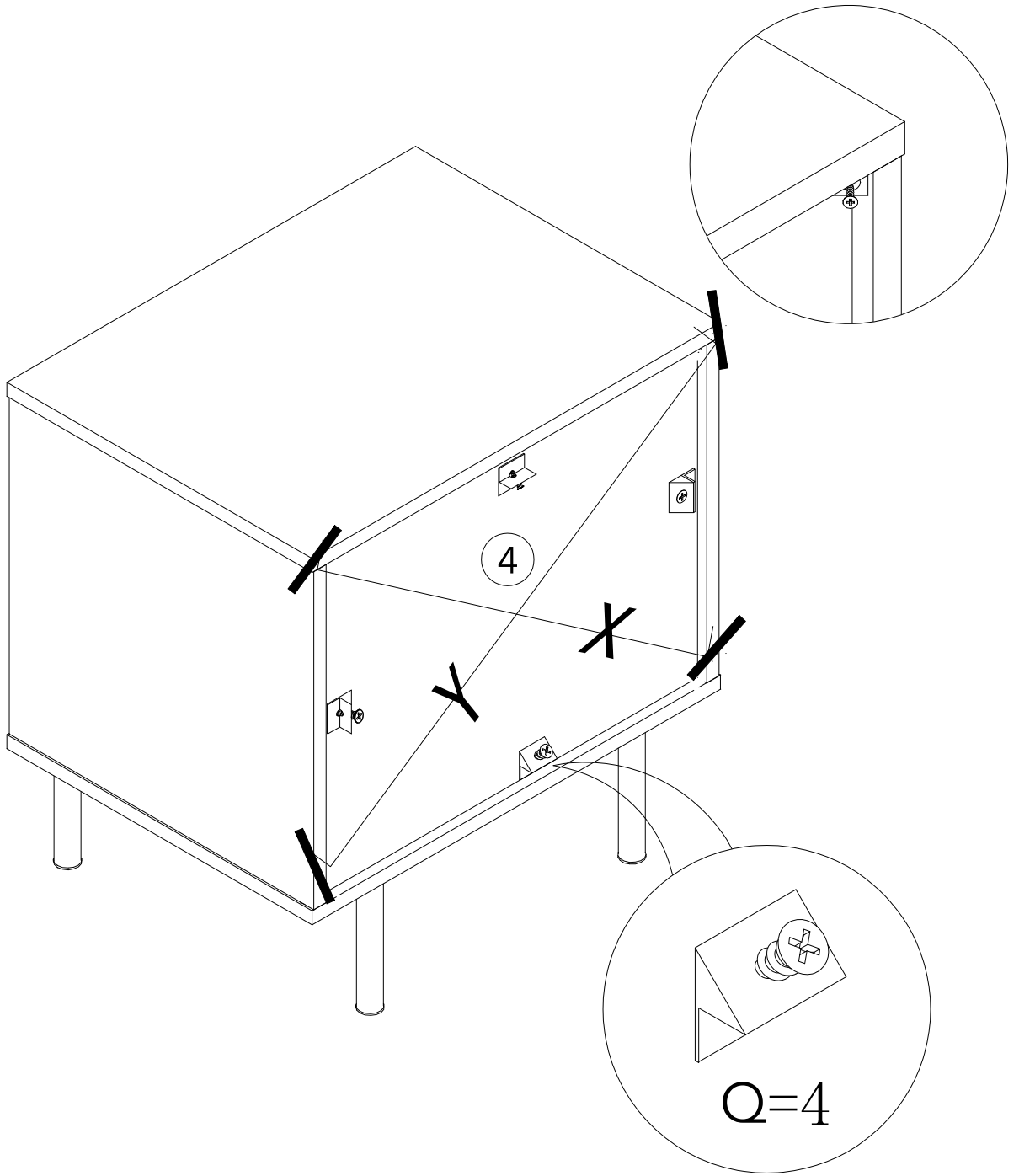
		
	N $\varnothing 8 \times 20$ 4x	H    M6x20    4x

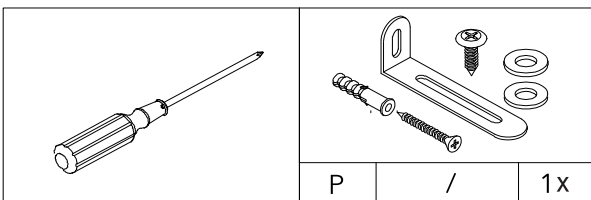
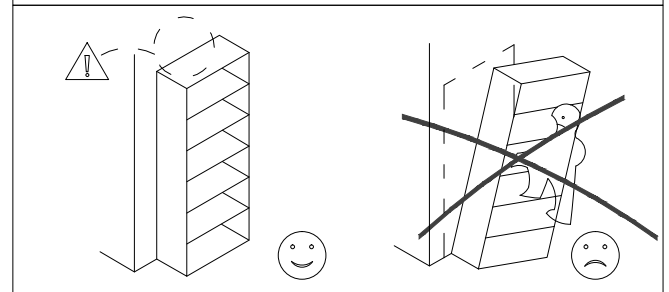
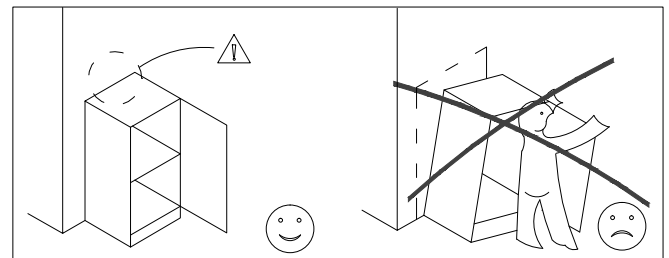
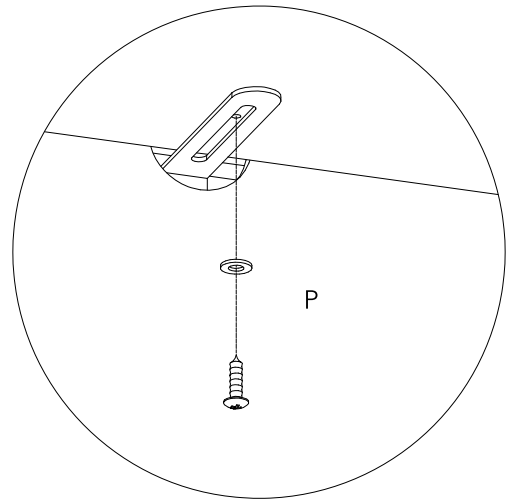
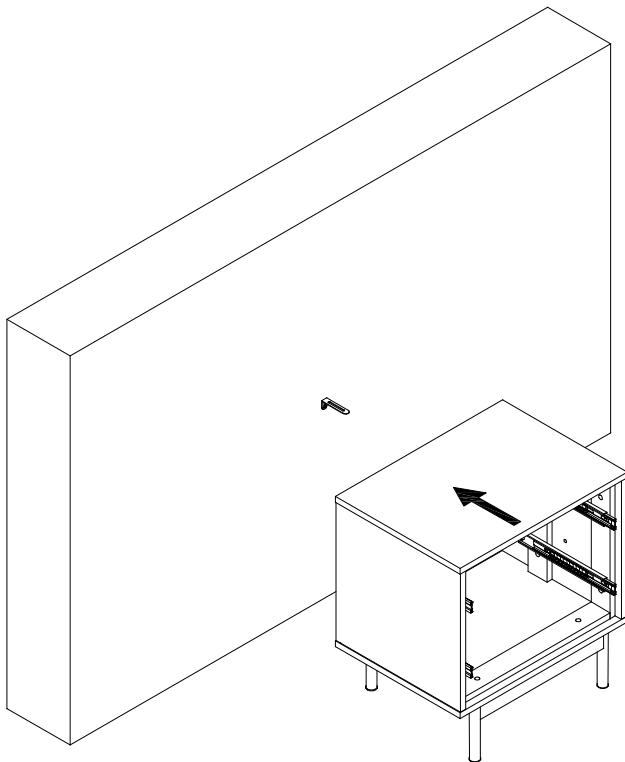
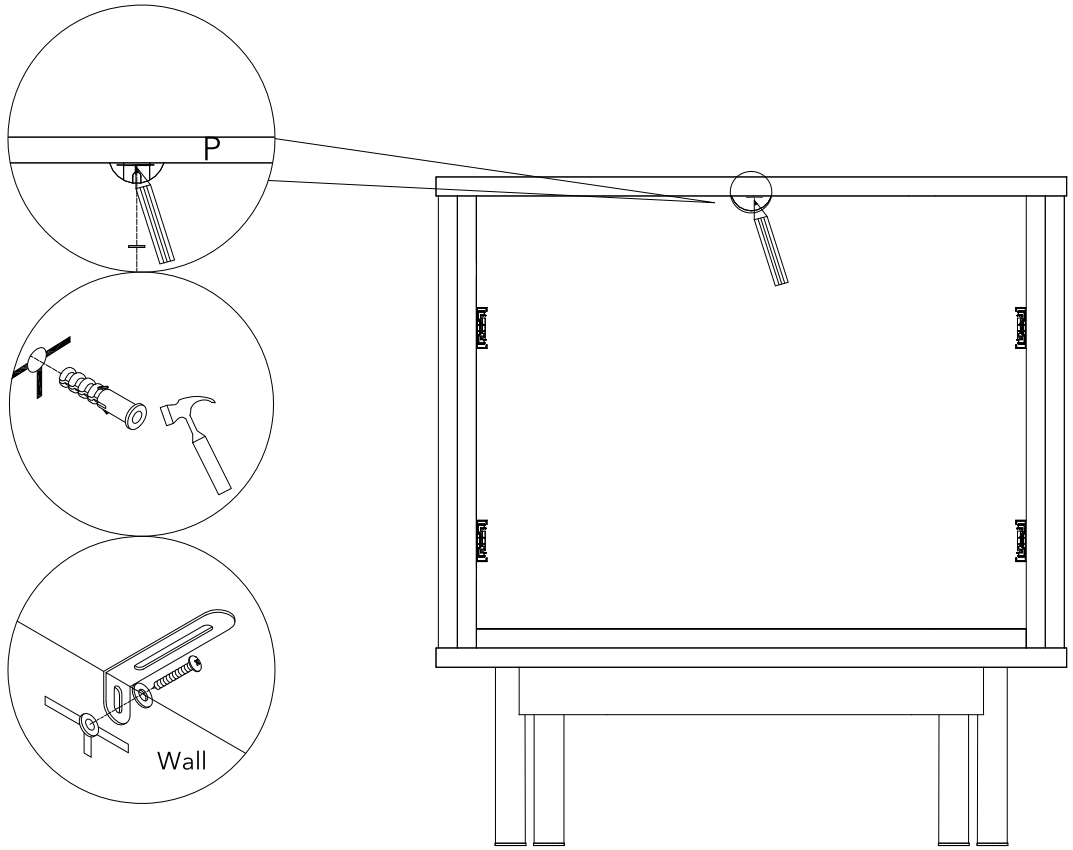
8



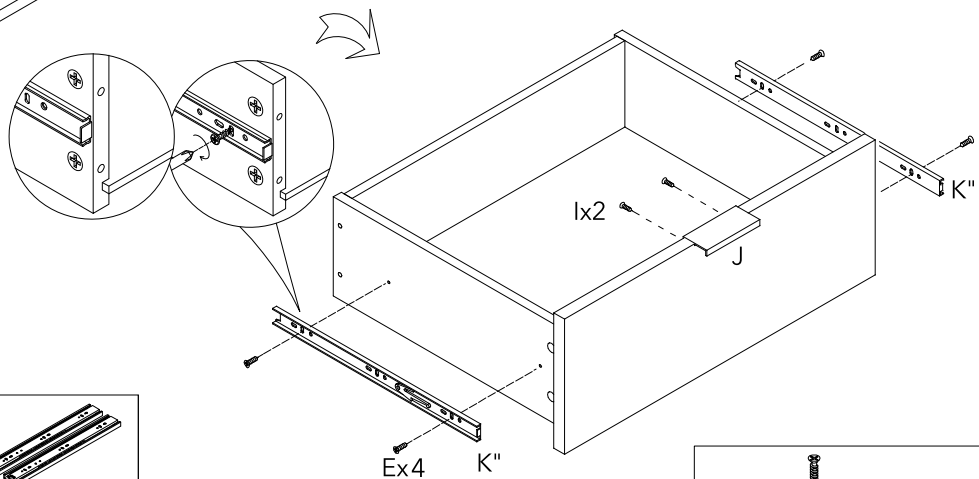
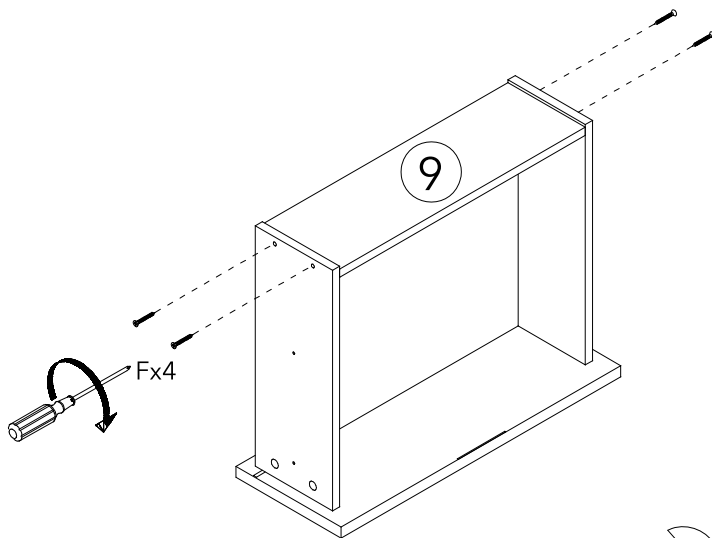
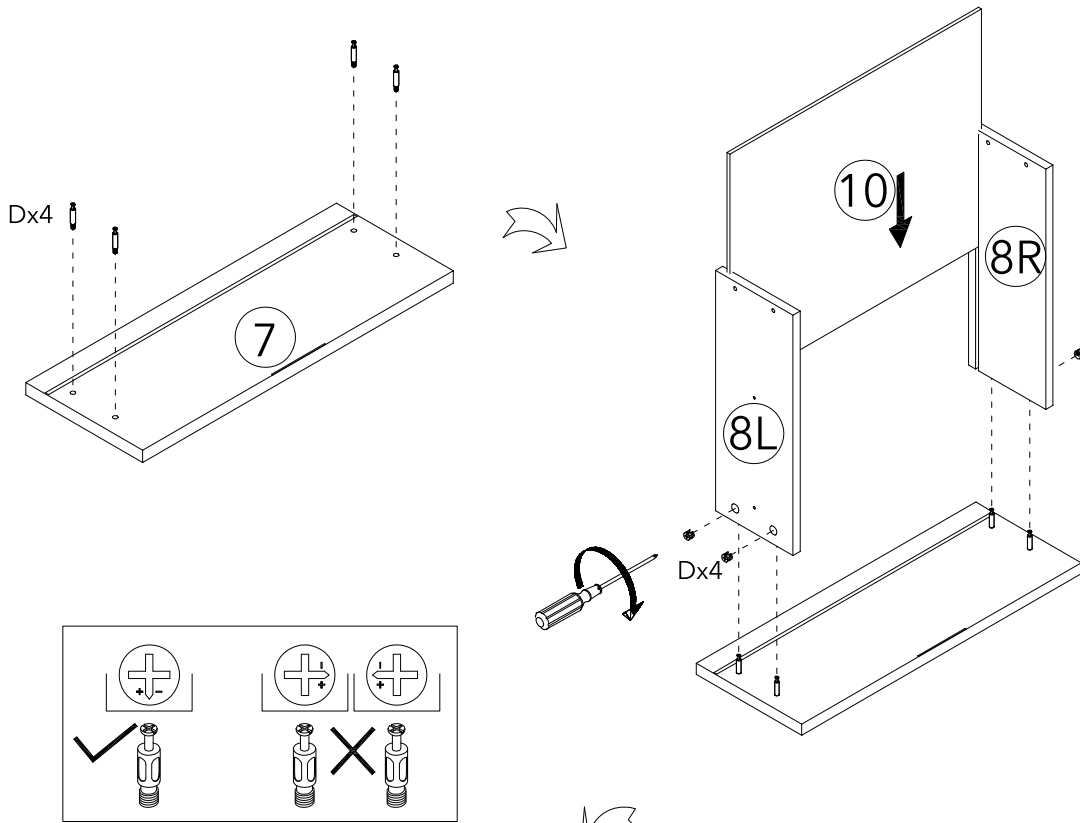
		
	E    M4x14    8x	K    10"    2x







# 11 x2



J   L=80   2x	I   M4x14   4x	K   10"   2x			
	D   ø12x10mm   8x	E   M4x14   8x	F   M4x30   8x		

