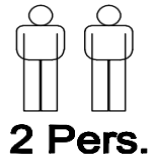
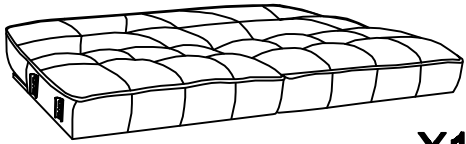
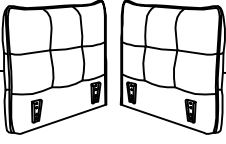


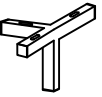
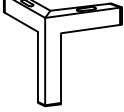
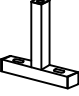


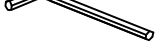


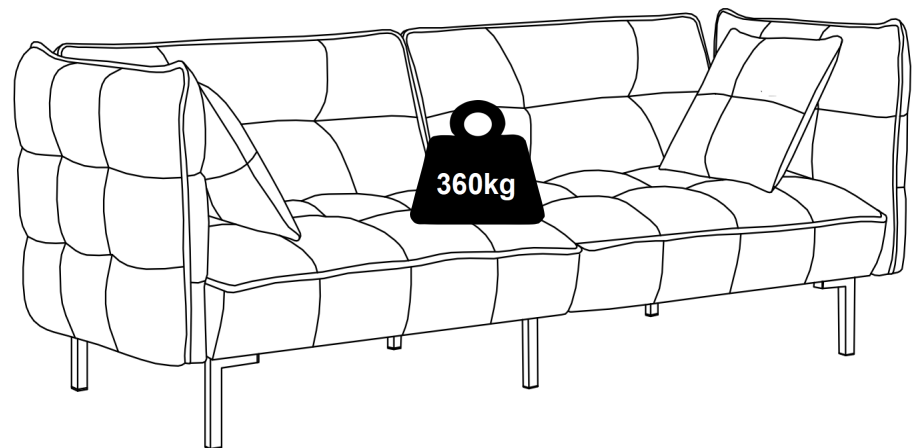
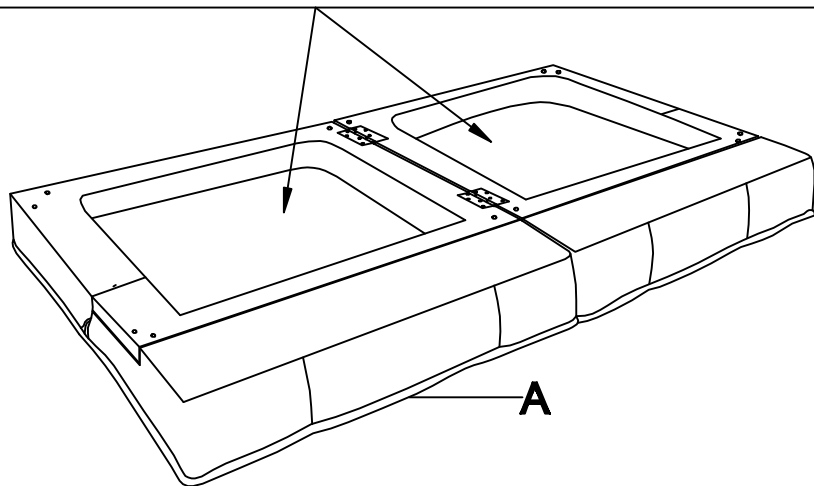
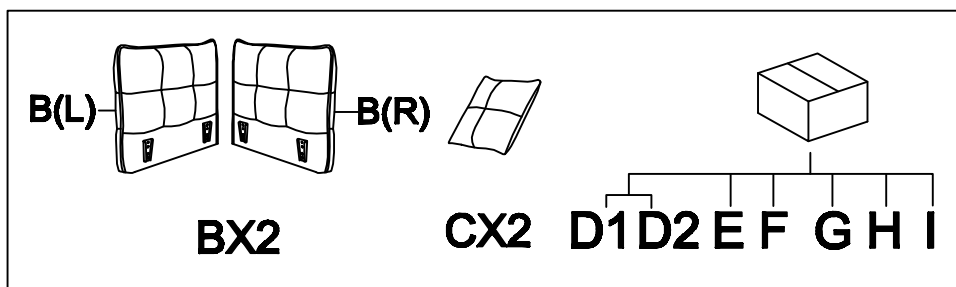
ASSEMBLY INSTRUCTION

Article Number: 17660001/01&02&03

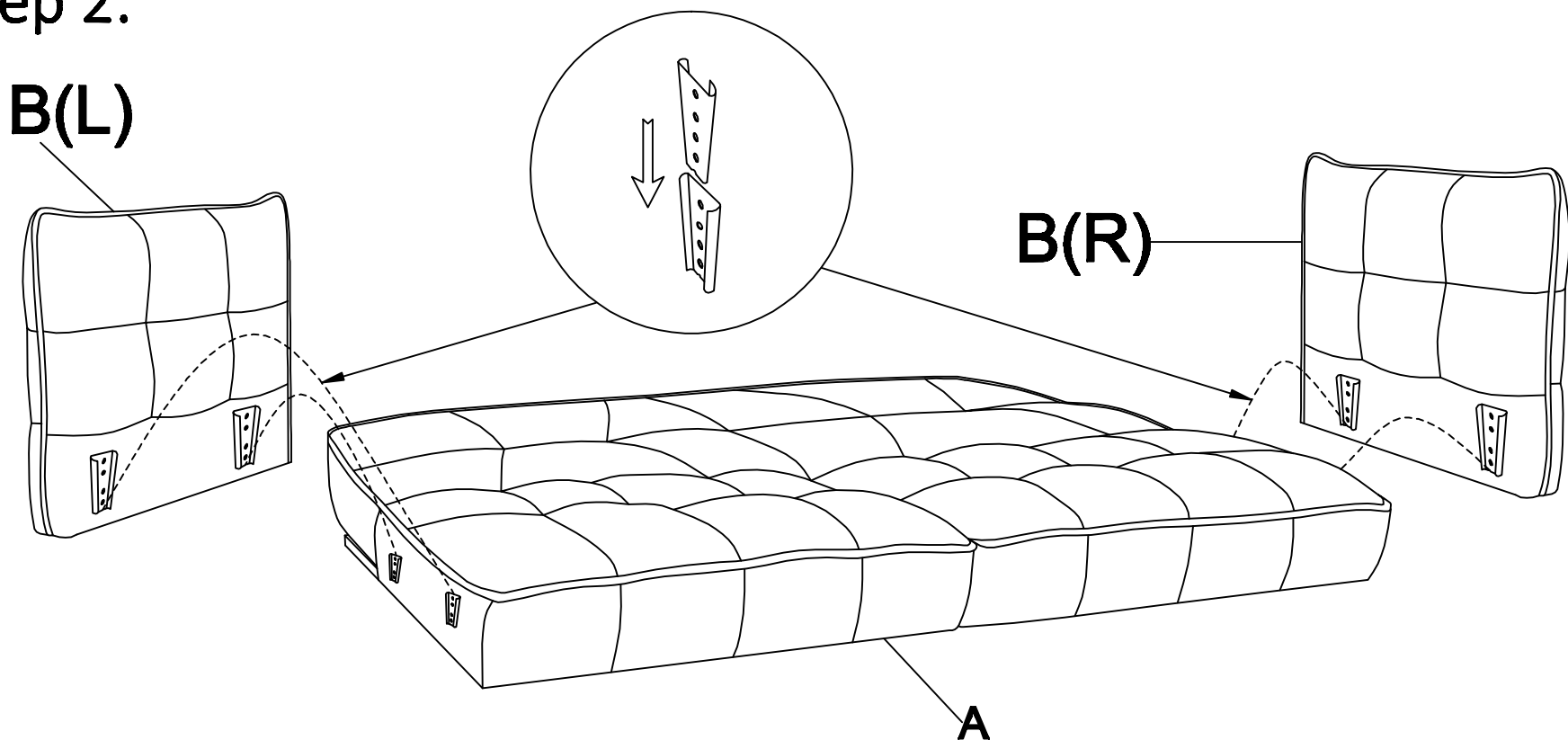


A  X1	B  B(L) B(R) X2	C  X2	D1  X1	D2  X1
E  X2	F  X2	G  X14	H  M8x60mm X14	I  X1

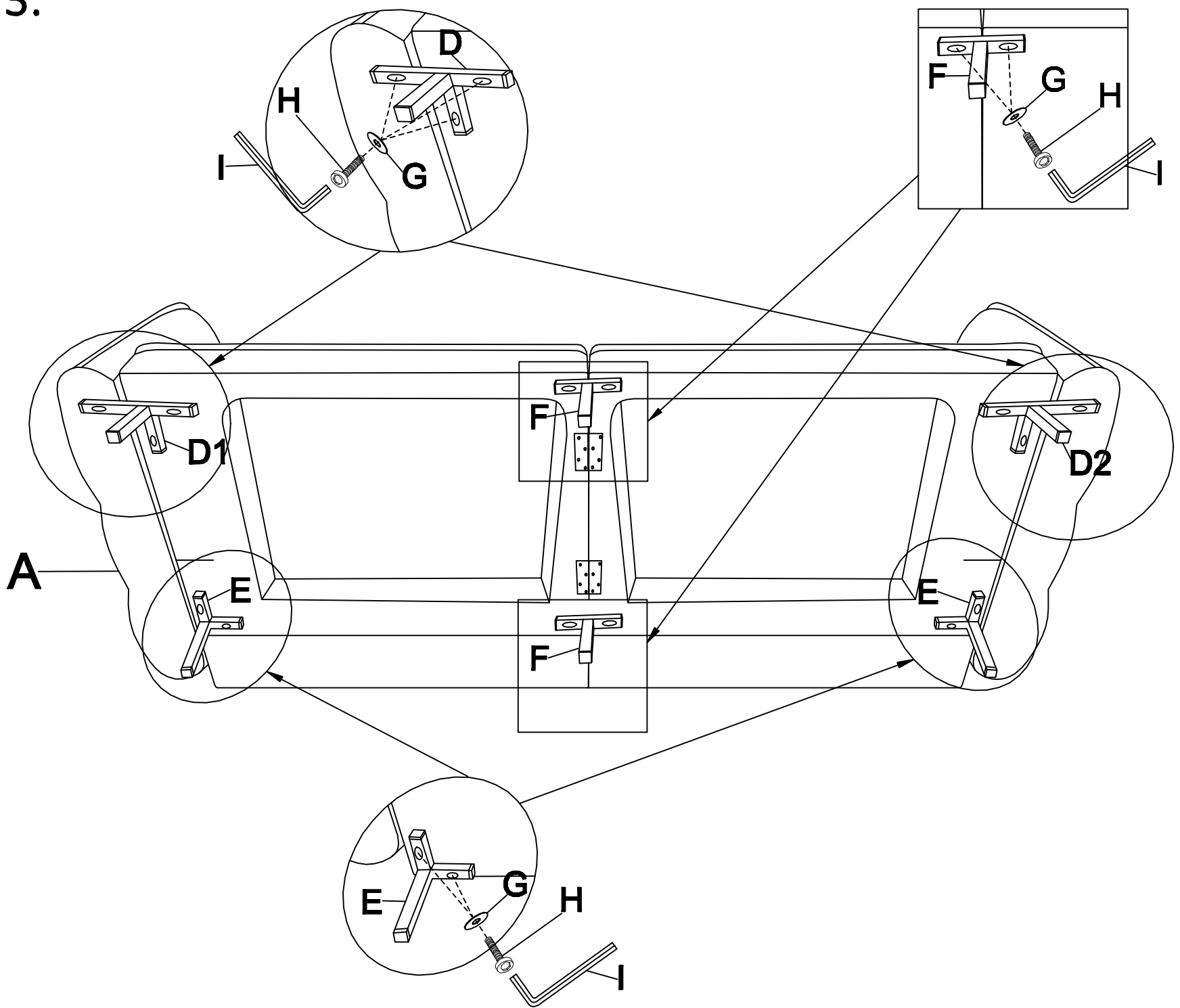
Step 1:



Step 2:



Step 3:



Step 4:

