

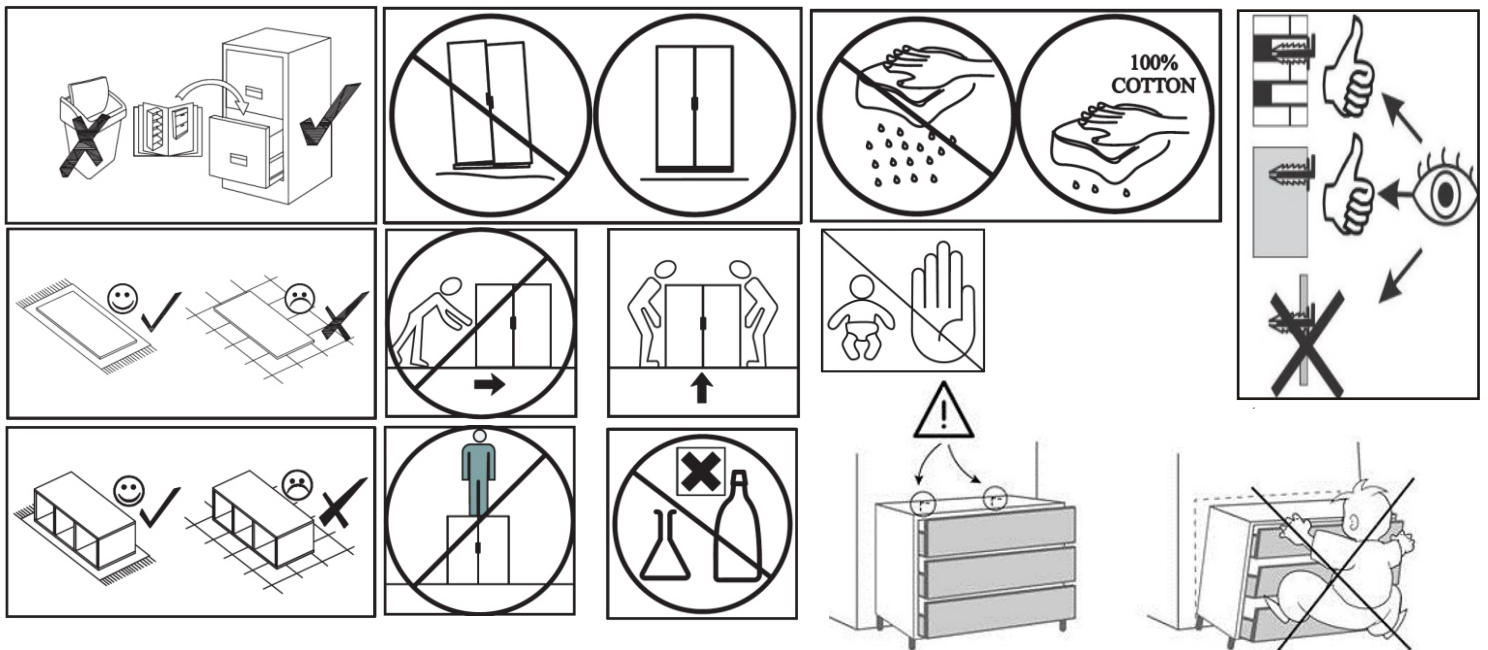
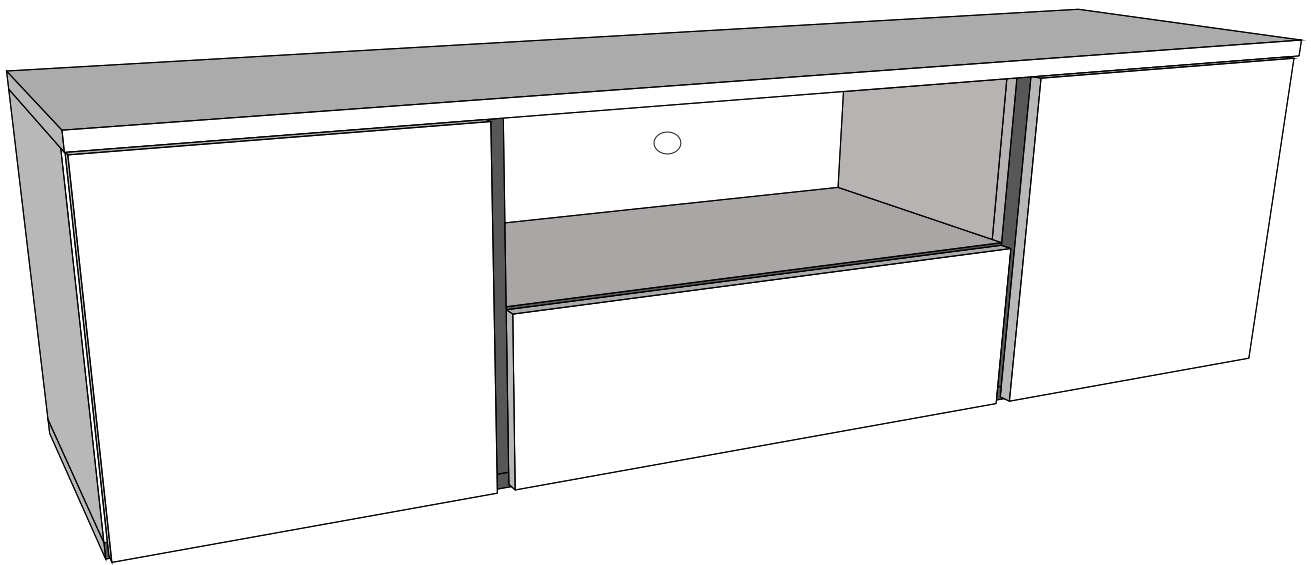
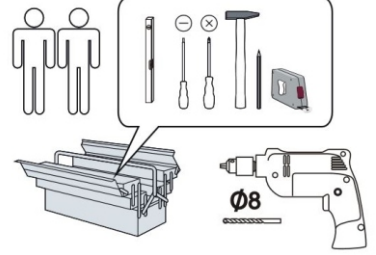


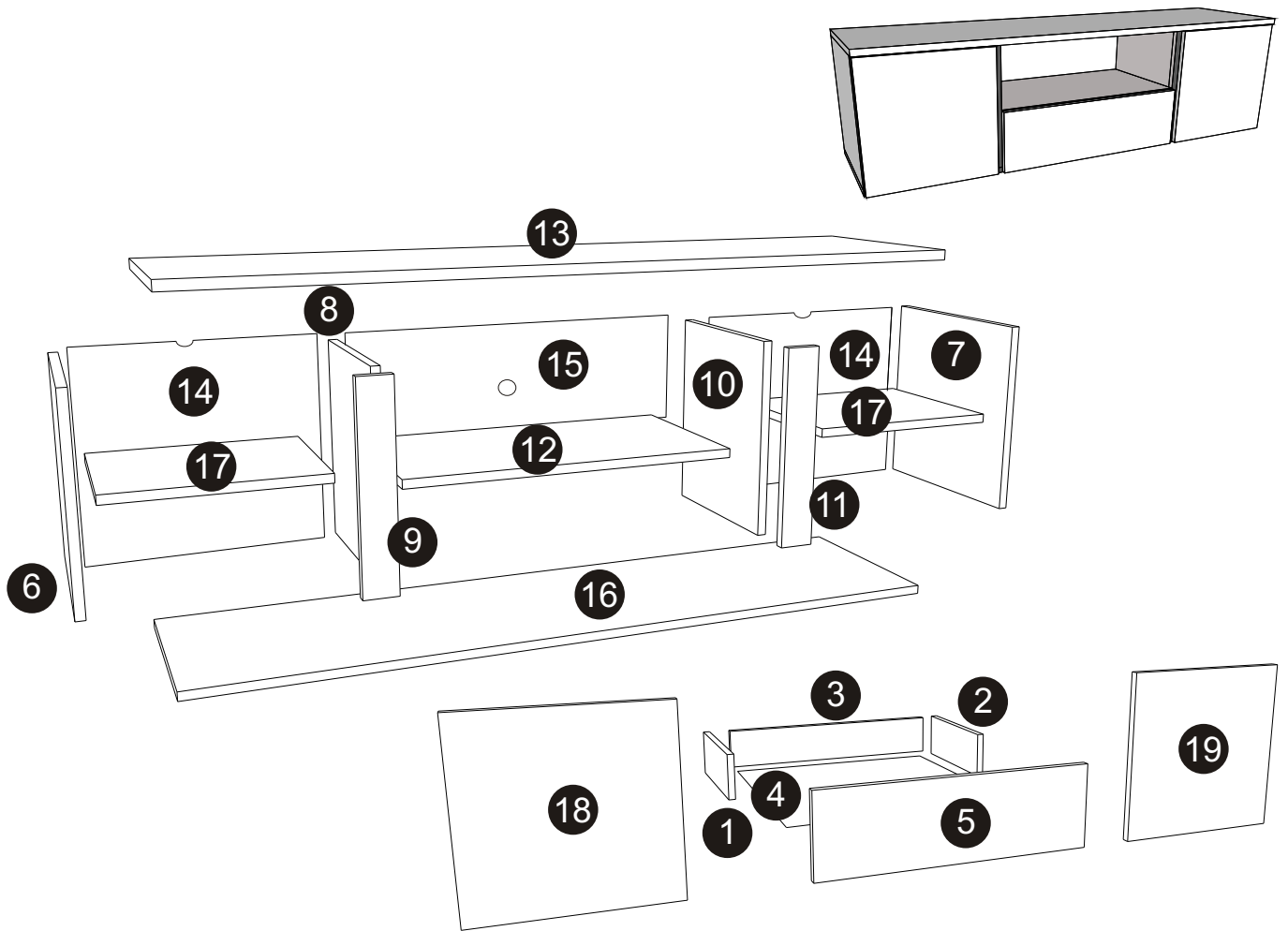
PADUA LIGHT Lowboard 6


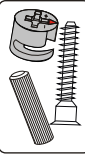
1/16



wyprodukowano dla / made for / produziert für
BEGA GRUPPE
producent: **MEBLE OKMED** POLAND

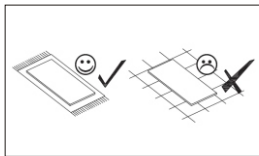




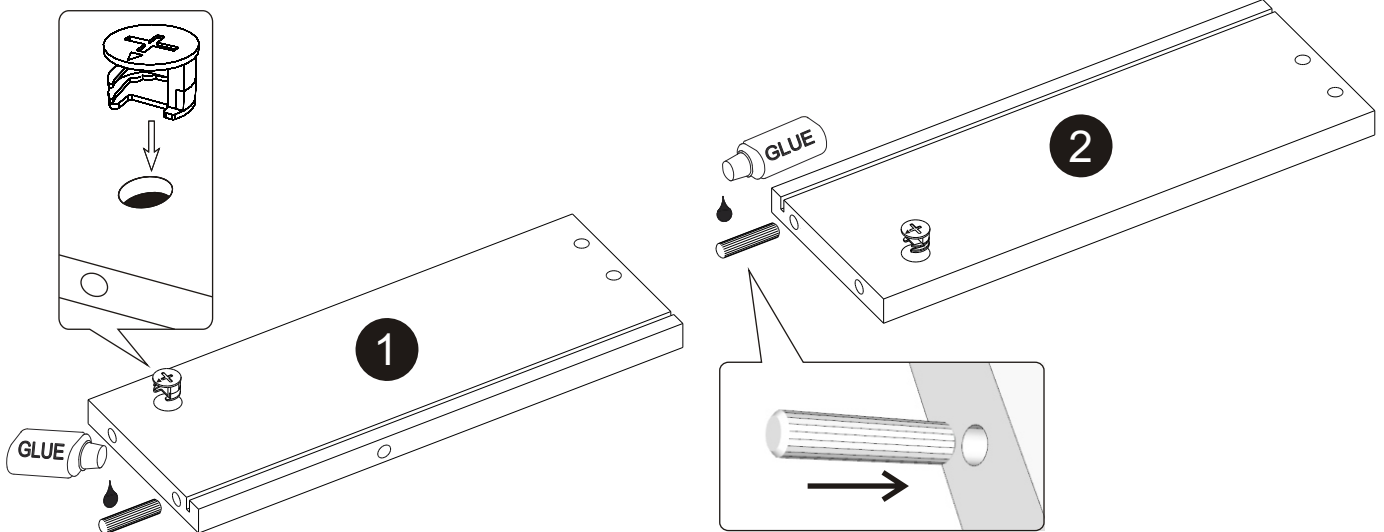
	1/1			10	16x355x303	X1
	1	16x110x300	X1	11	16x355x60	X1
	2	16x110x300	X1	12	16x593x320	X1
	3	16x97x553	X1	13	16x1380x370	X1
	4	3x567x305	X1	14	3x377x371	X2
	5	16x181x594	X1	15	3x610x206	X1
	6	16x355x350	X1	16	16x1380x350	X1
	7	16x355x350	X1	17	16x360x294	X2
	8	16x355x303	X1	18	16x371x365	X1
9	16x355x60	X1	19	16x371x365	X1	

KK1 x1	K1 x10	ZM1B x18	ZM1A x18	S1 x9	ZM1 x18
OM1 x3	KD1 x32	KSK1 x1	PP x8	W1 x14	PL1 x4
Z1P x4	ZP x4	W4 x8	PQ3 x1	PQ4 x1	W11 x8
KRW1 x2	KS1 x2	SS4 x6	W6 x6		

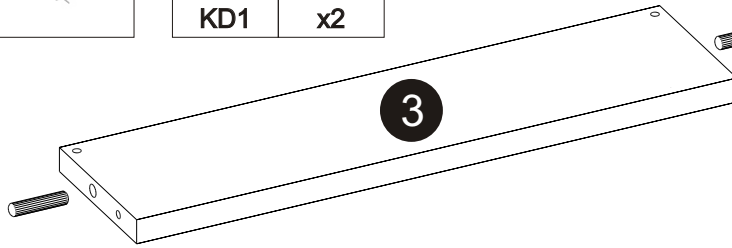
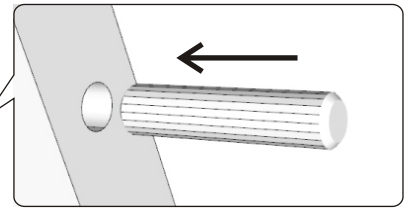
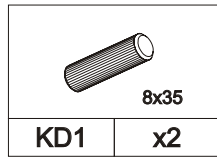
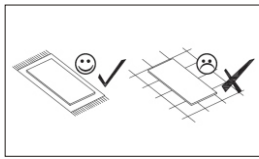
01



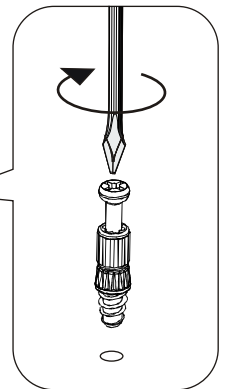
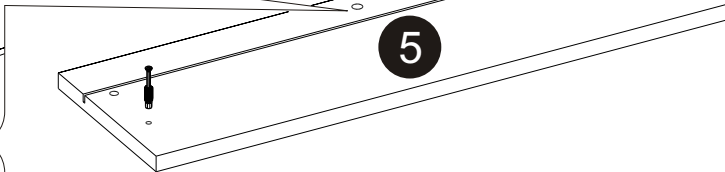
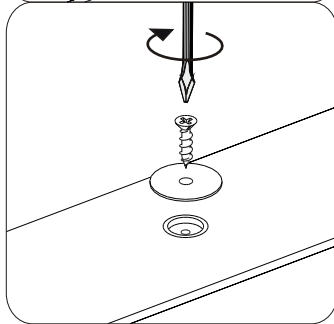
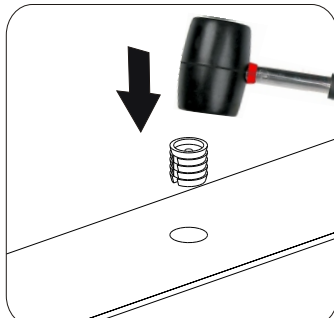
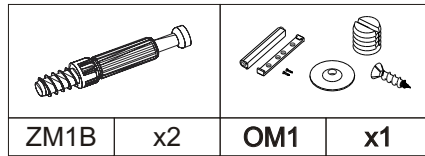
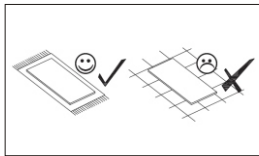
KD1 x2	ZM1A x2	KSK1 x1



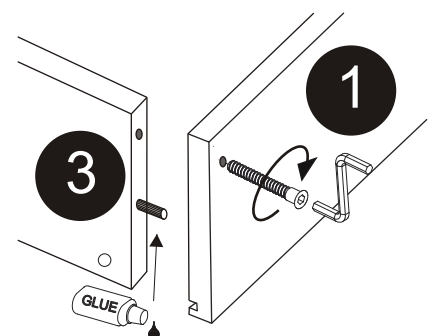
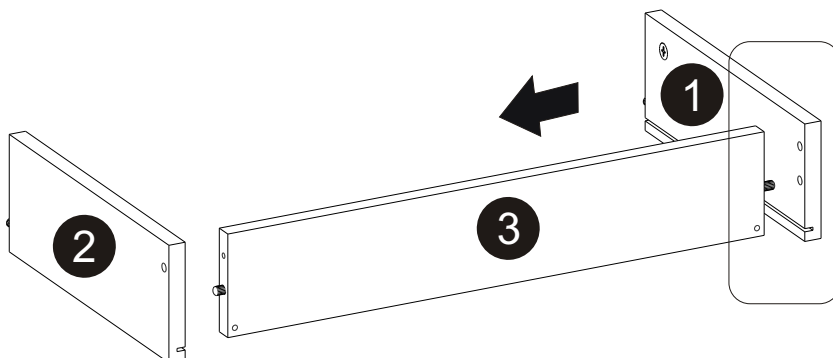
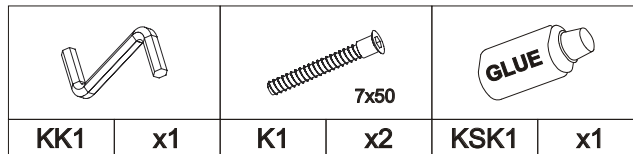
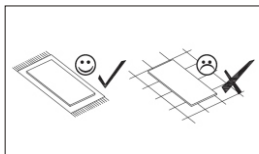
02



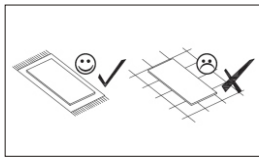
03



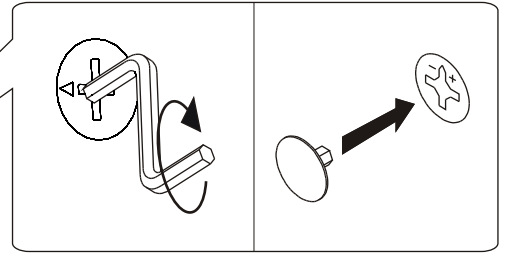
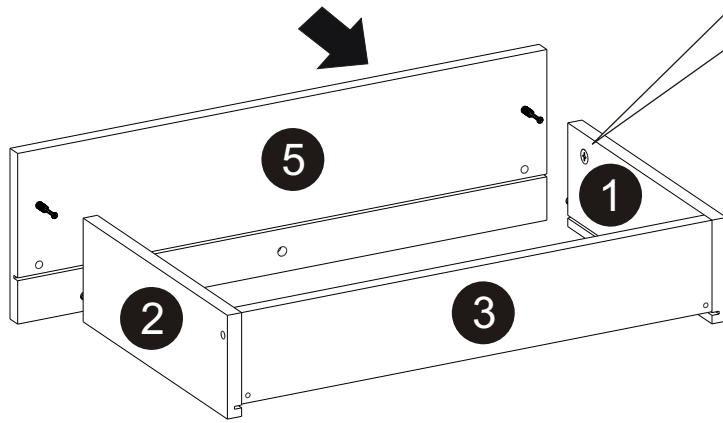
04



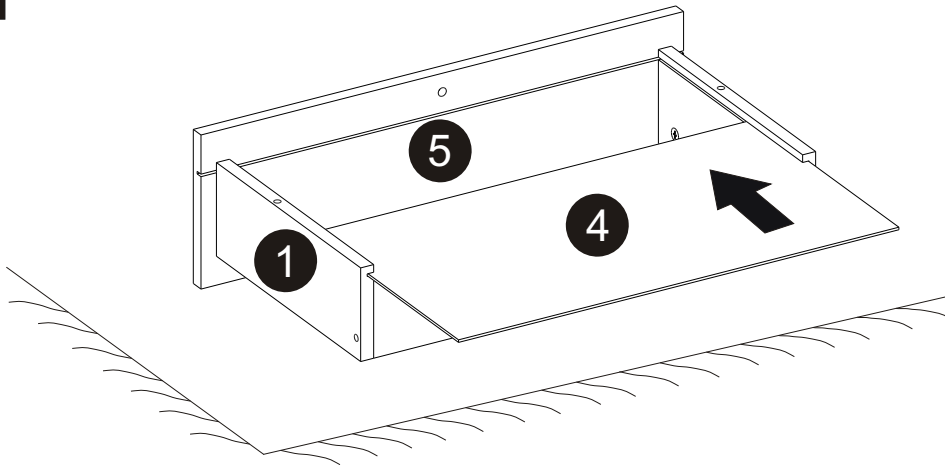
05



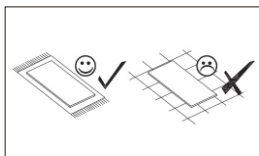
	x1		x2
KK1	x1	ZM1	x2



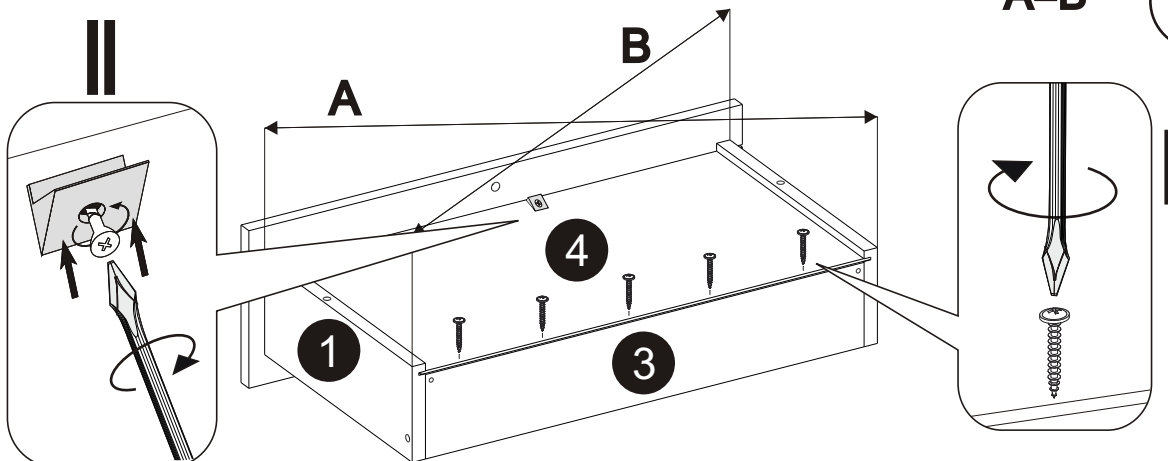
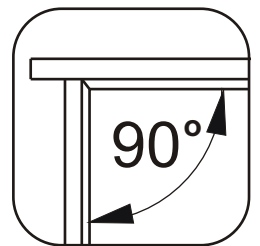
06



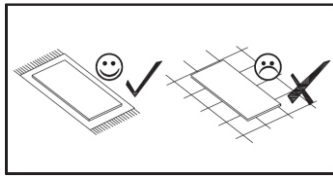
07



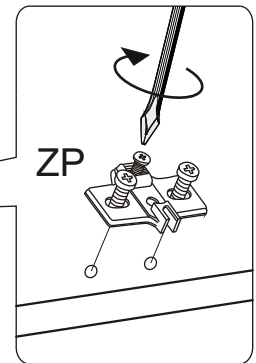
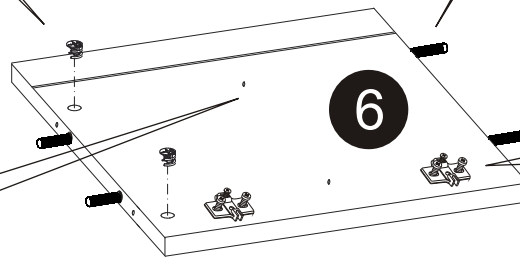
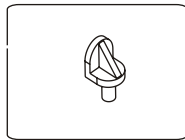
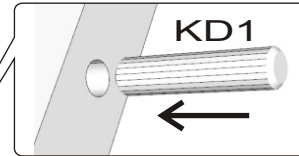
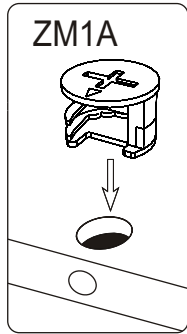
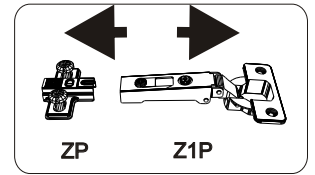
	3x16		
W1	x5	S1	x1



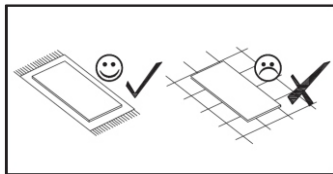
08



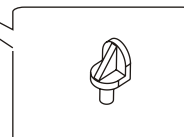
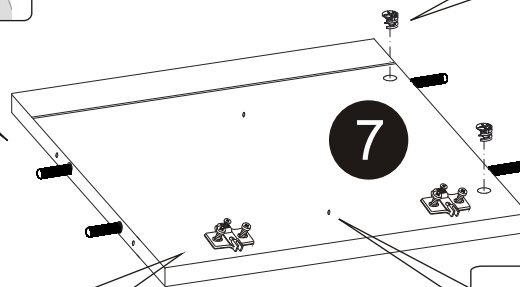
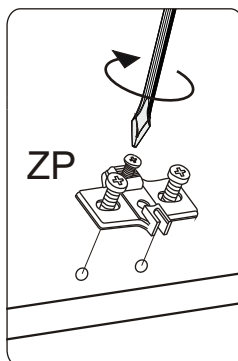
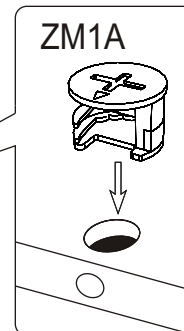
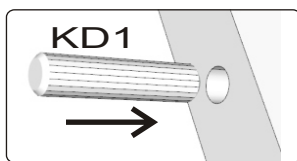
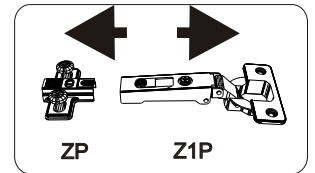
	8x35		15x12,5		ZP	x2
KD1	x4	ZM1A	x2	ZP		
	PP					x2



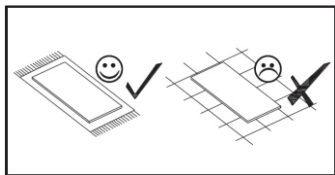
09

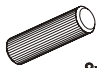




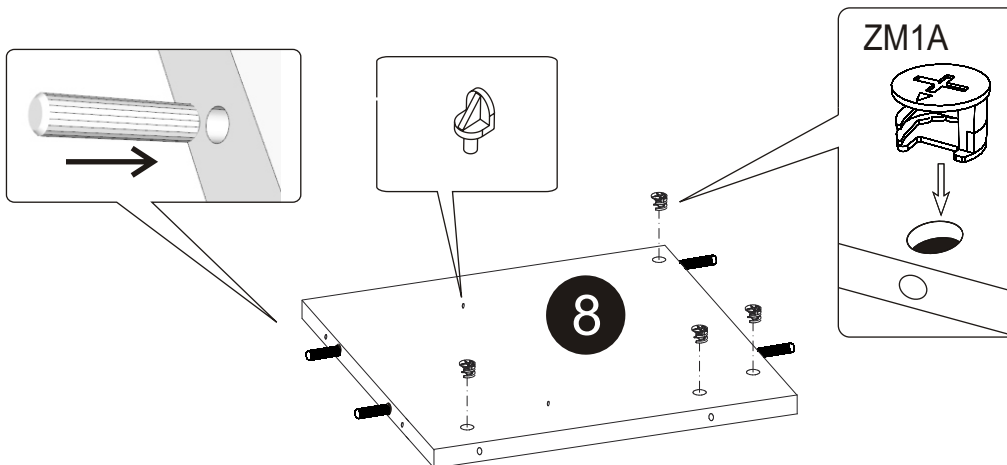
	8x35		15x12,5		ZP	x2
KD1	x4	ZM1A	x2	ZP		
	PP					x2



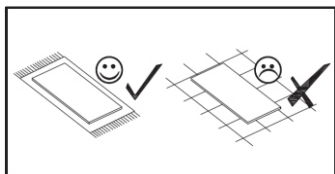
10

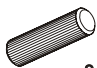




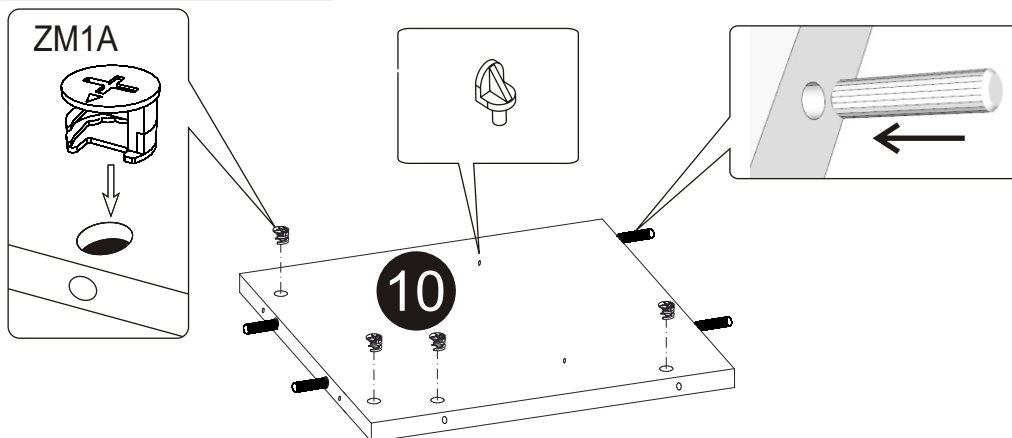
	8x35		15x12,5		
KD1	x4	ZM1A	x4	PP	x2



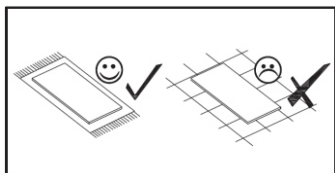
11

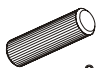
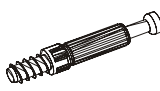


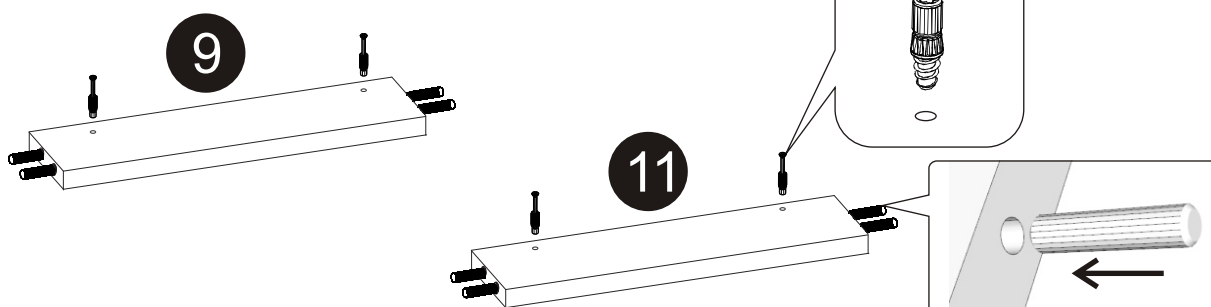
	8x35		15x12,5		
KD1	x4	ZM1A	x4	PP	x2



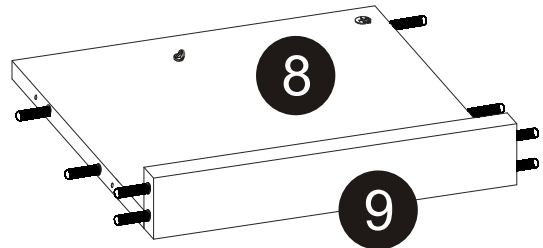
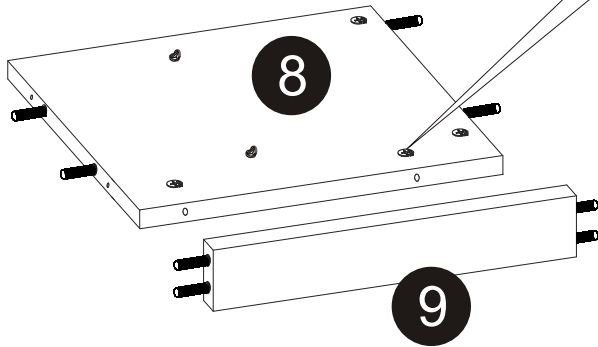
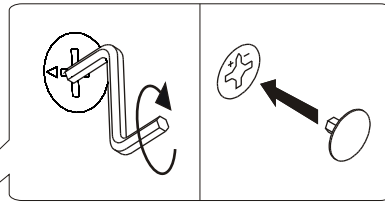
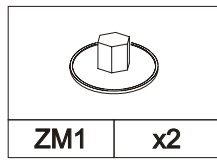
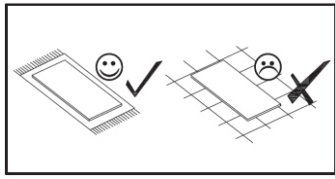
12



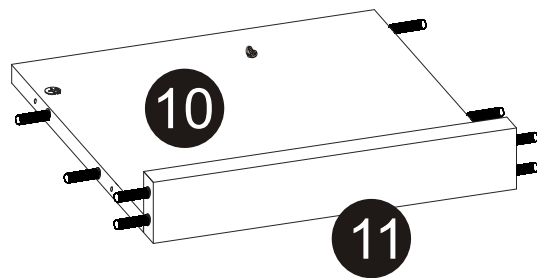
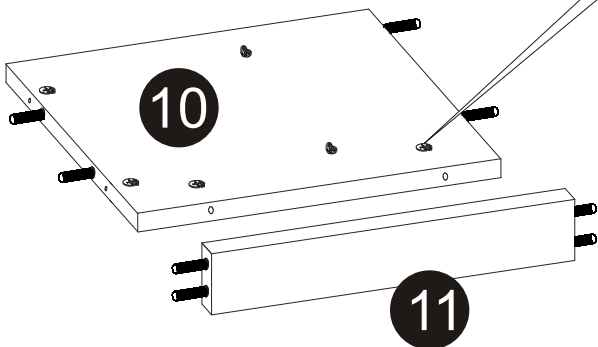
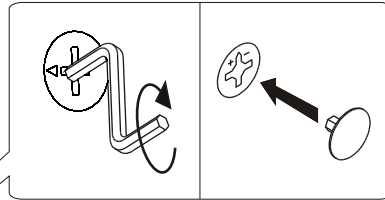
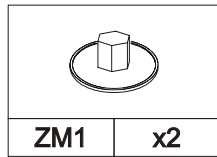
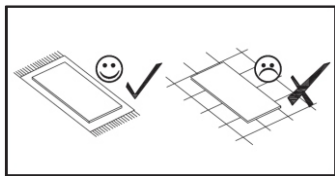
	8x35		
KD1	x8	ZM1B	x4



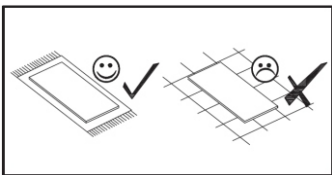
13



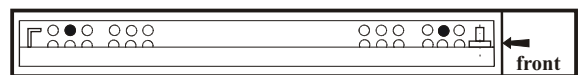
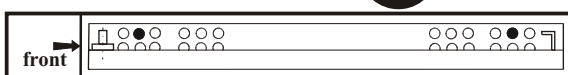
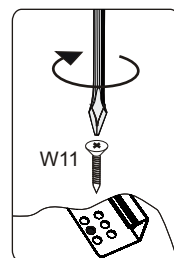
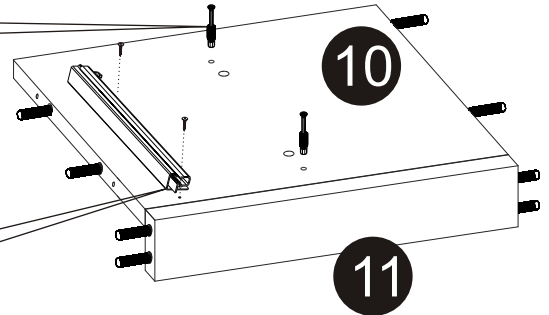
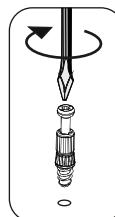
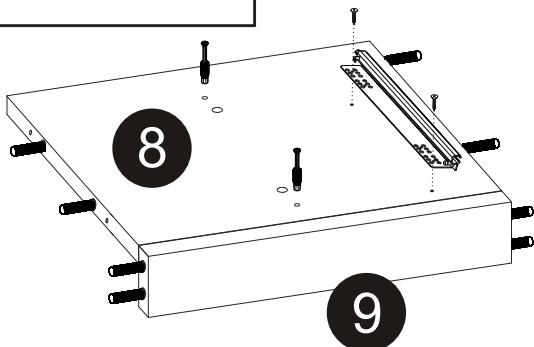
14



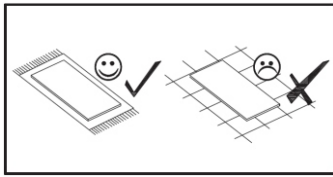
15

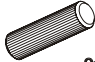
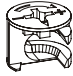


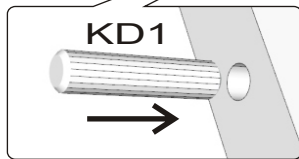
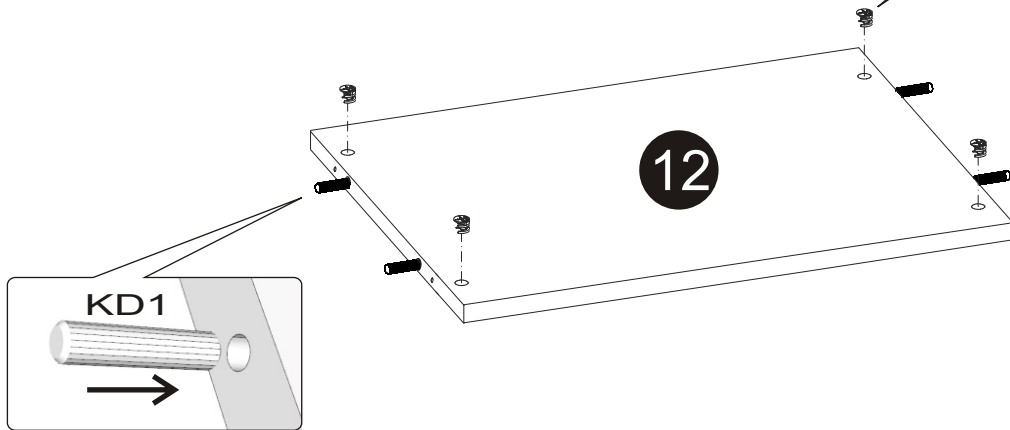
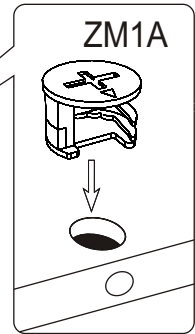
	x4		x1		x1		x4
ZM1B	x4	PQ3	x1	PQ4	x1	W11	x4



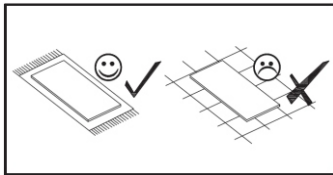
16

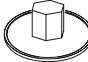


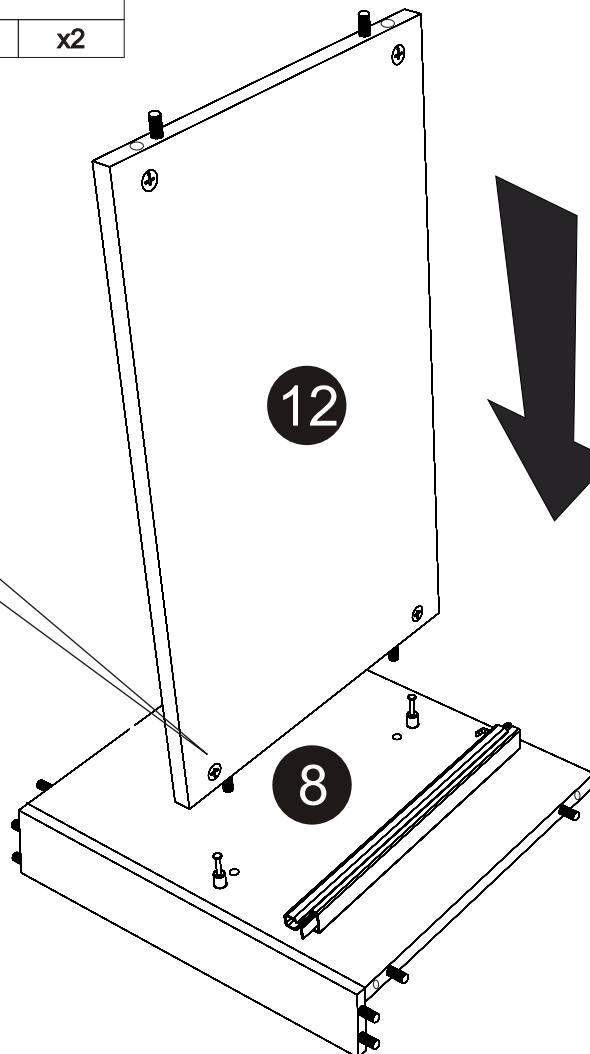
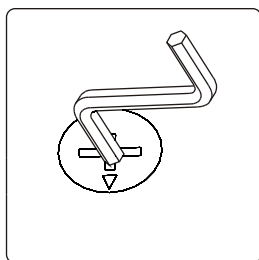
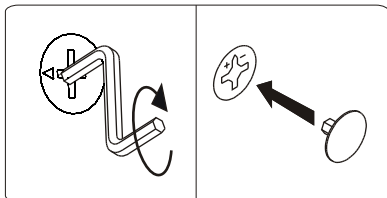
	8x35		
KD1	x4	ZM1A	x4



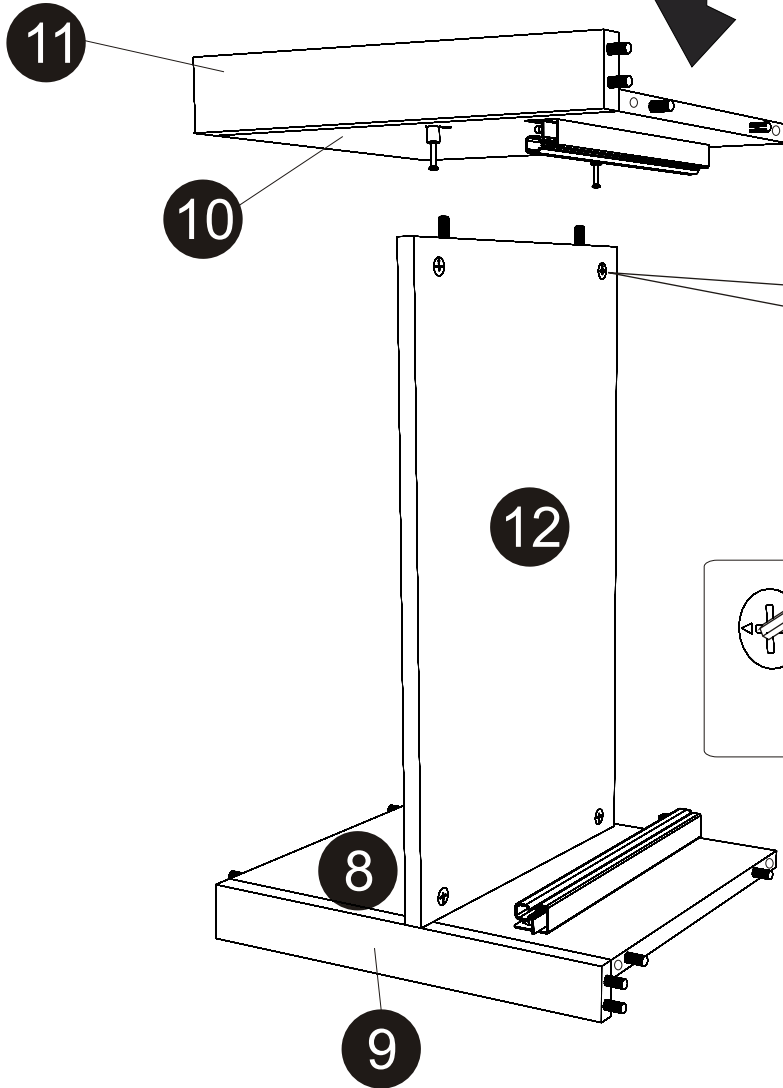
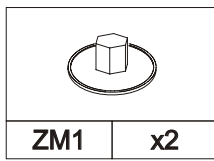
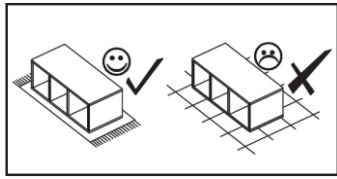
17



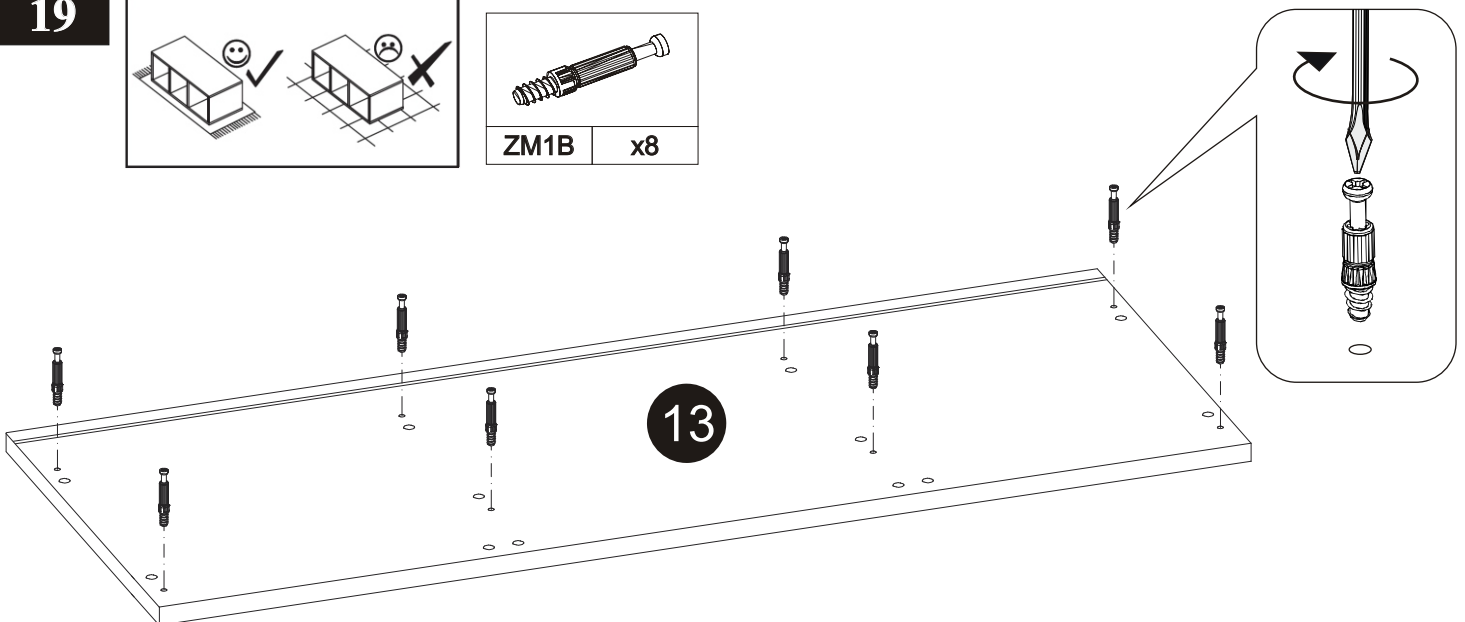
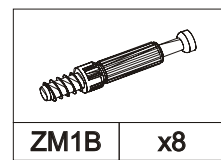
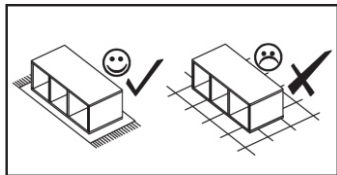
	
ZM1	x2



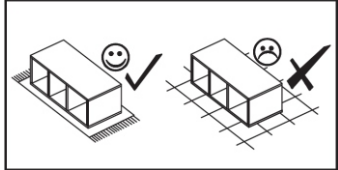
18



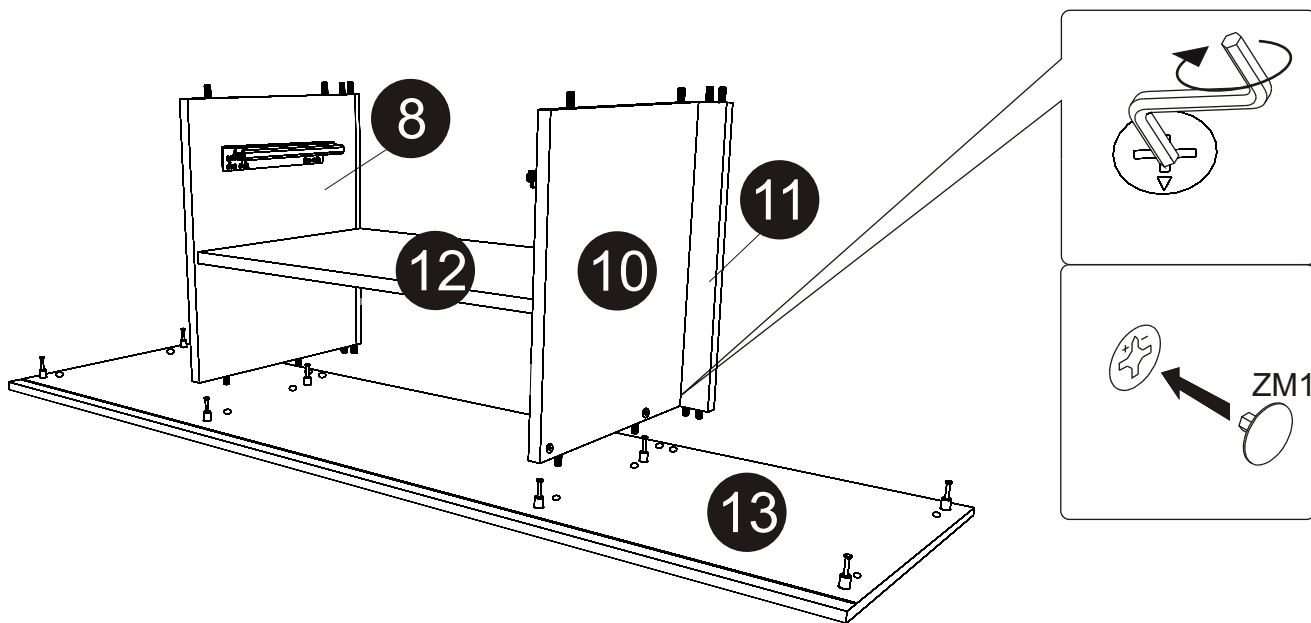
19



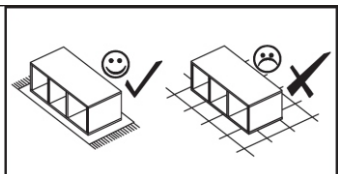
20



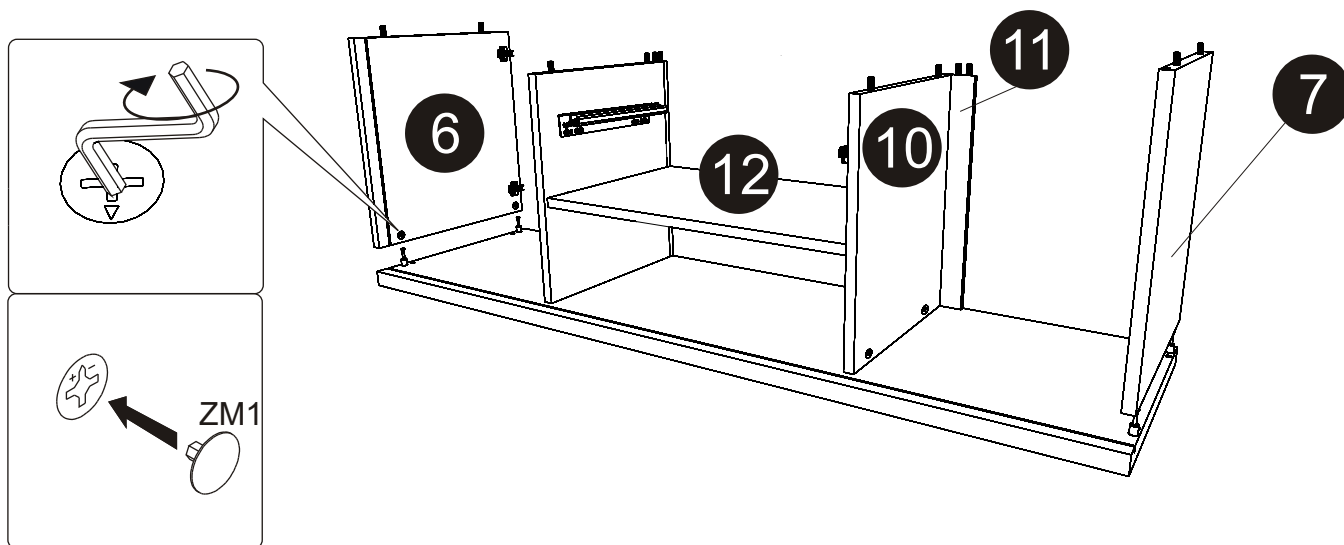
	x1		x4
KK1		ZM1	



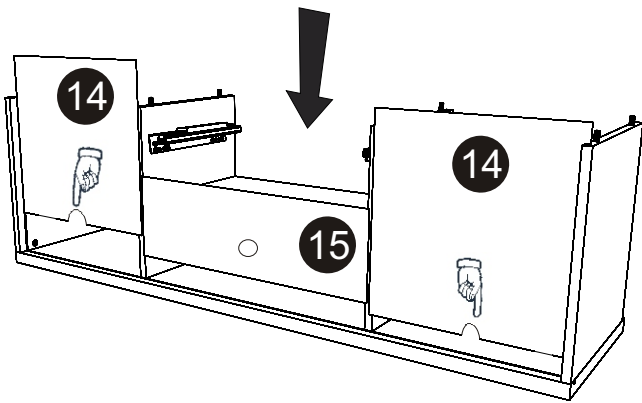
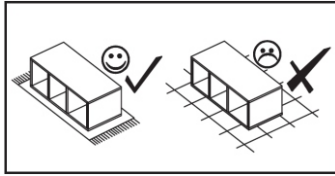
21



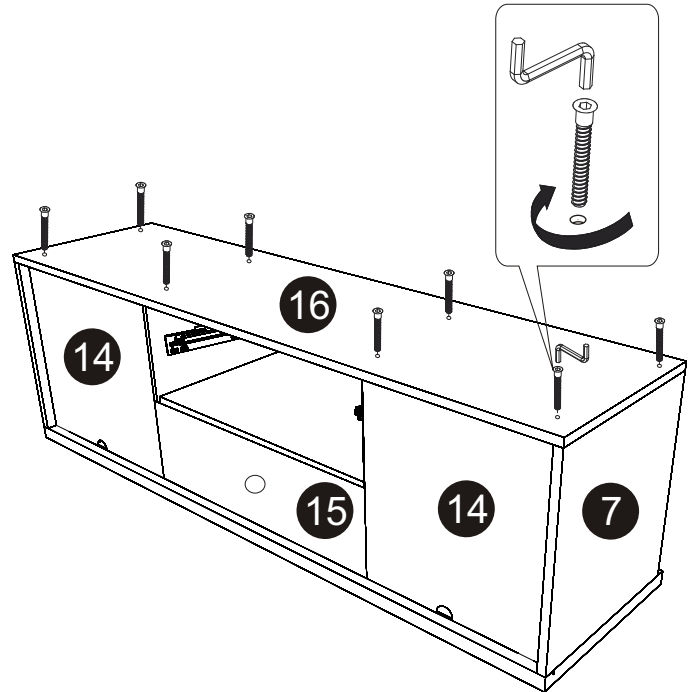
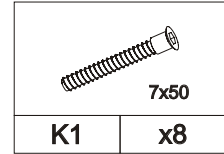
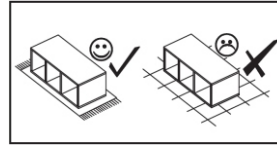
	x1		x4
KK1		ZM1	



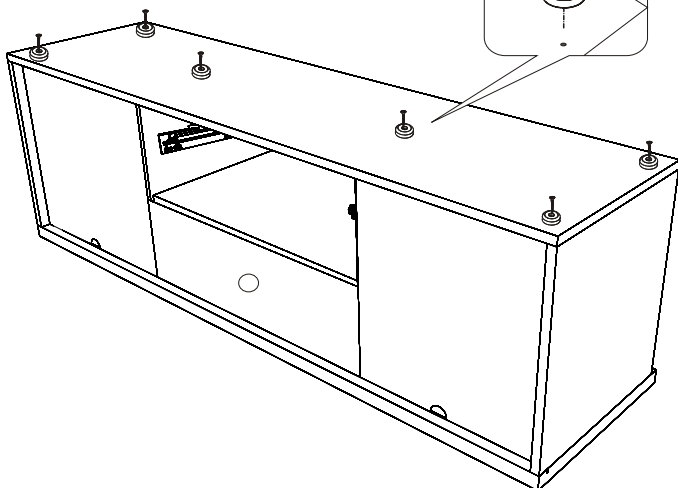
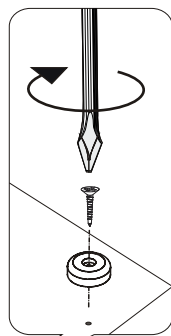
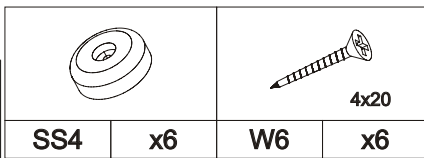
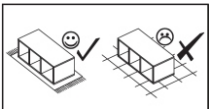
22



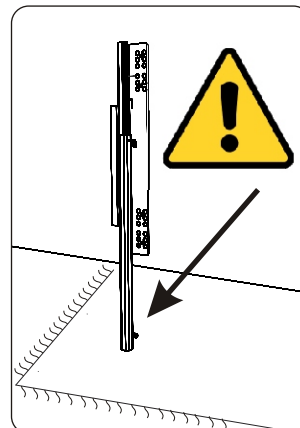
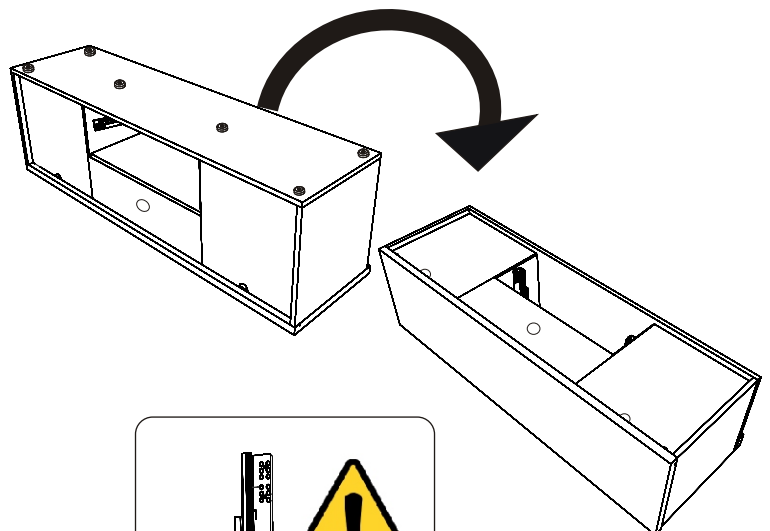
23



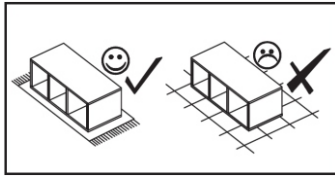
24





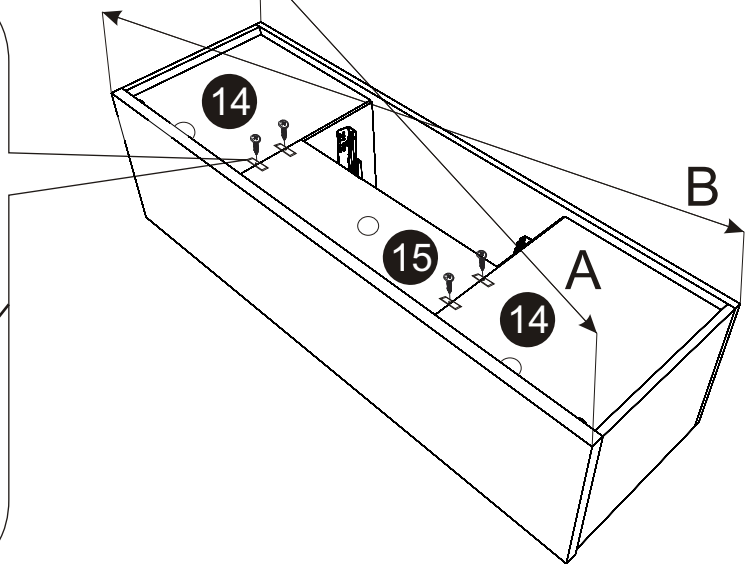
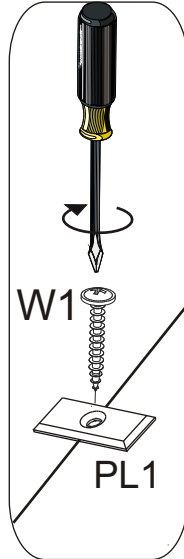
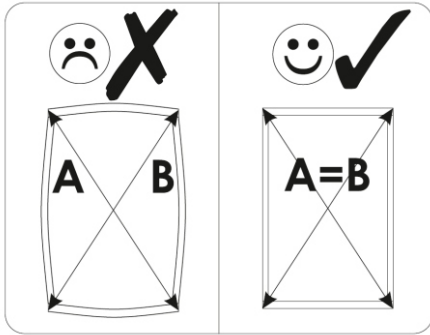
25



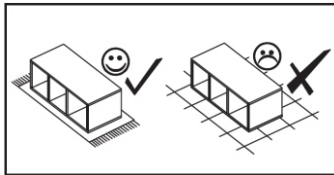
26





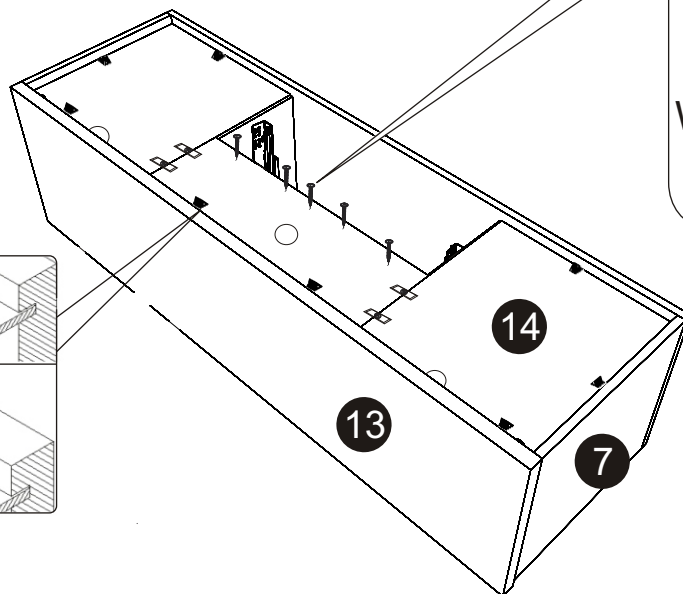
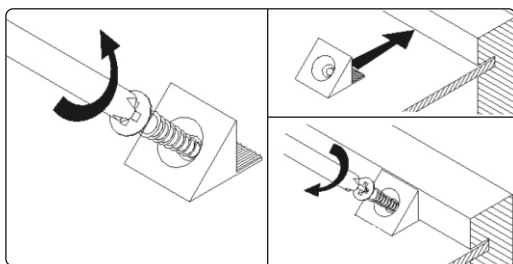
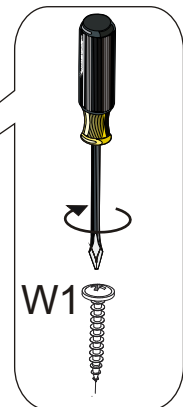
	3x16		
W1	x4	PL1	x4



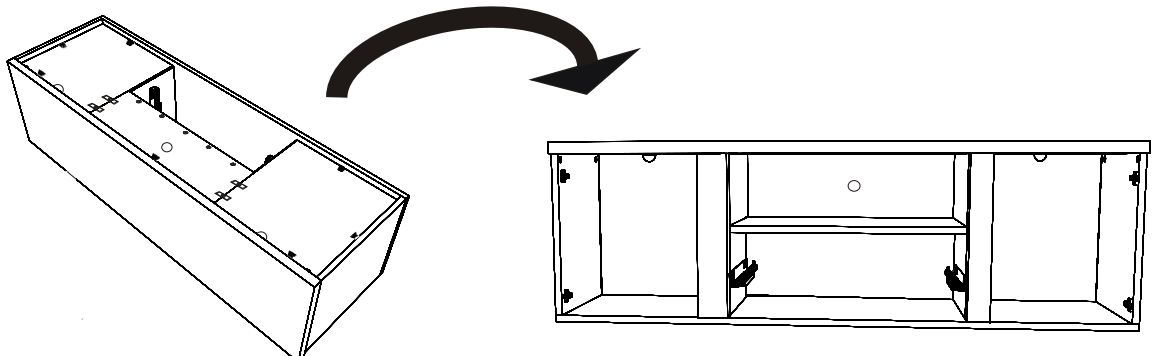
27



			3x16
S1	x8	W1	x5

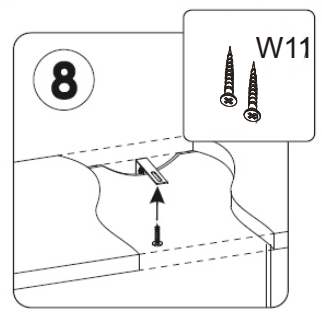
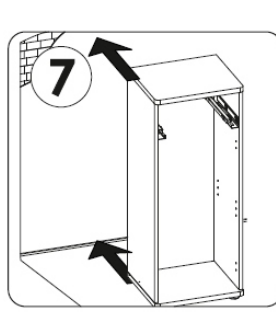
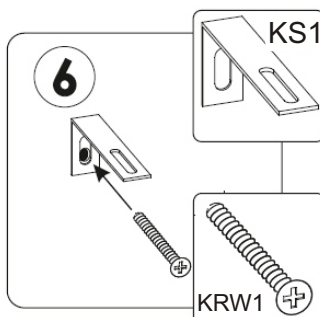
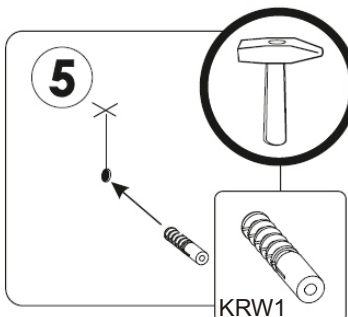
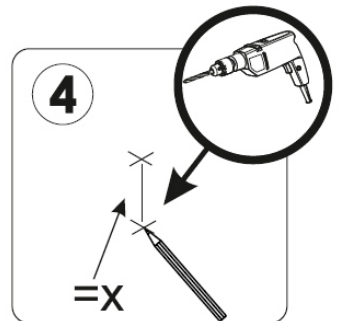
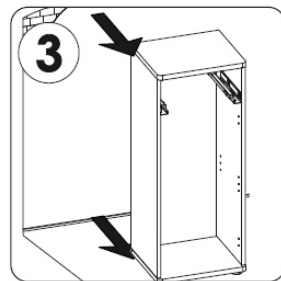
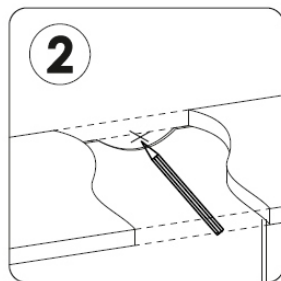
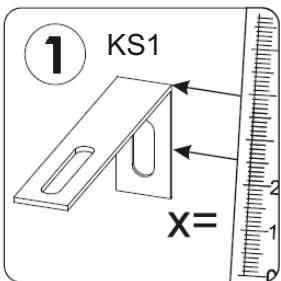
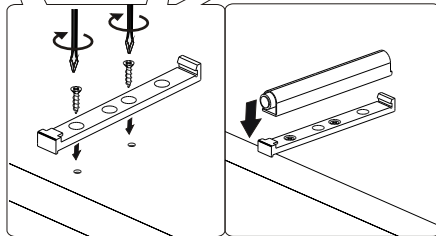
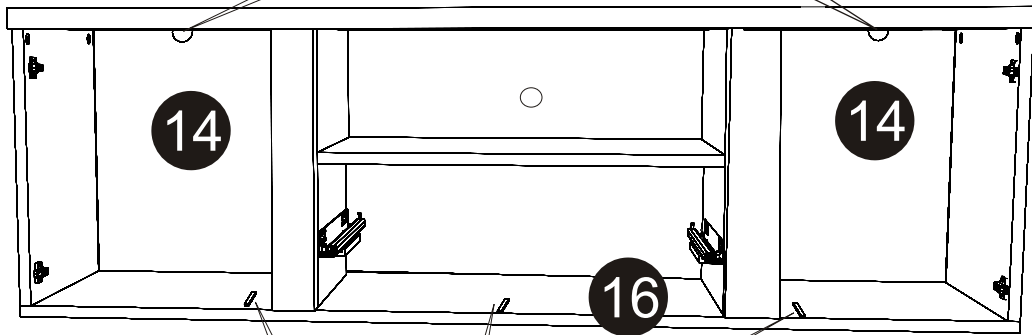
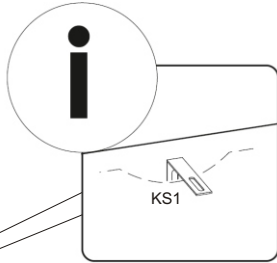
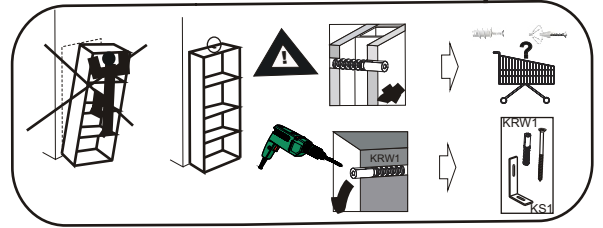


28

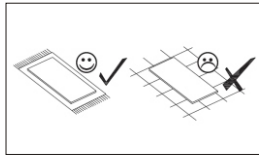


29

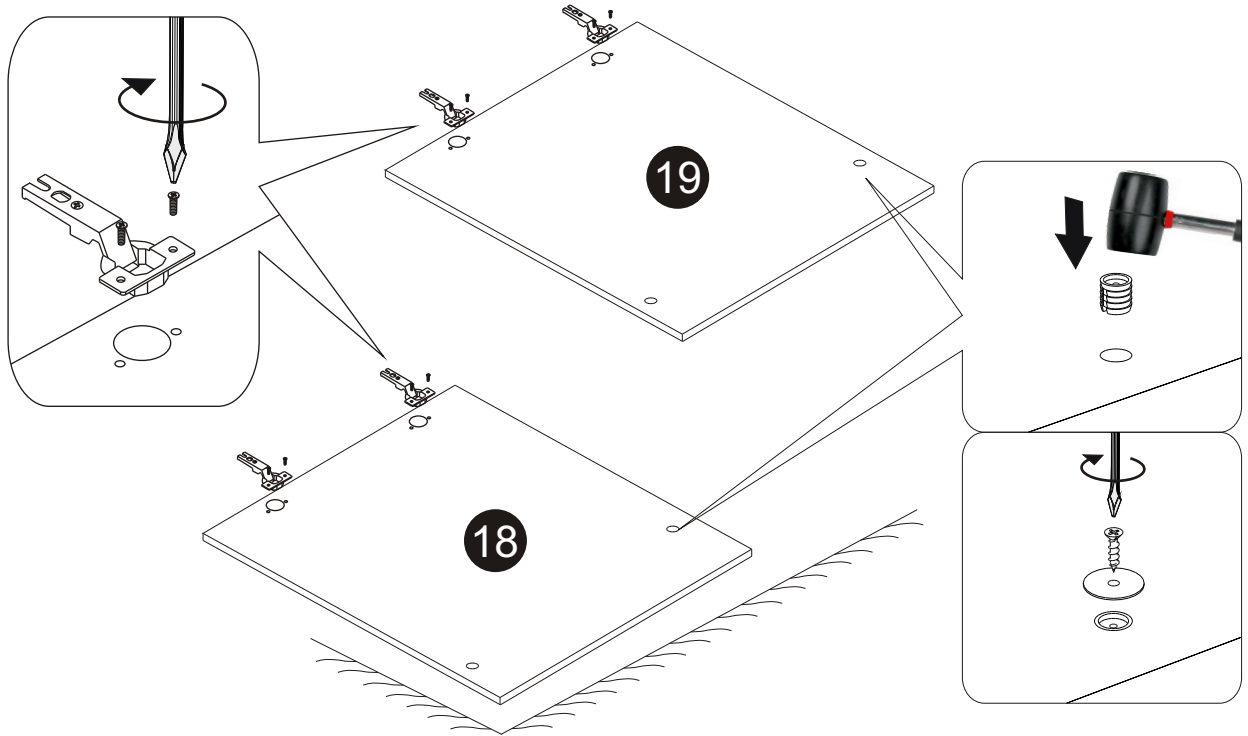
KRW1	KS1	W11
x2	x2	x4
OM1		
x3		



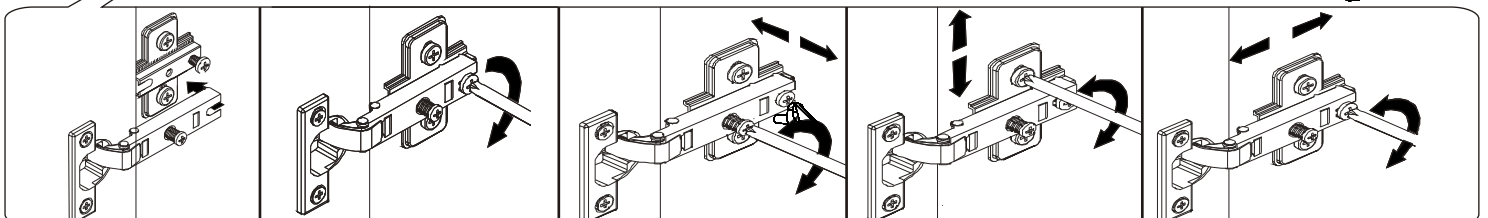
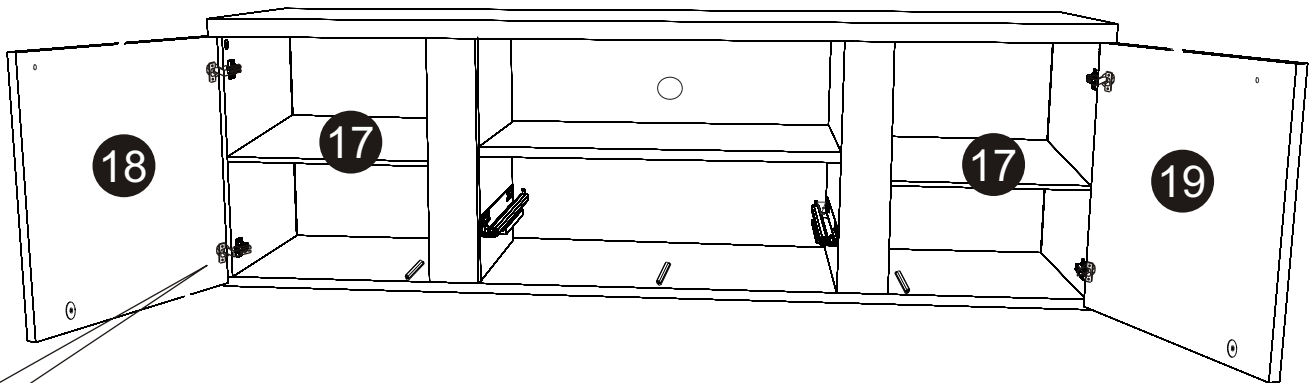
30



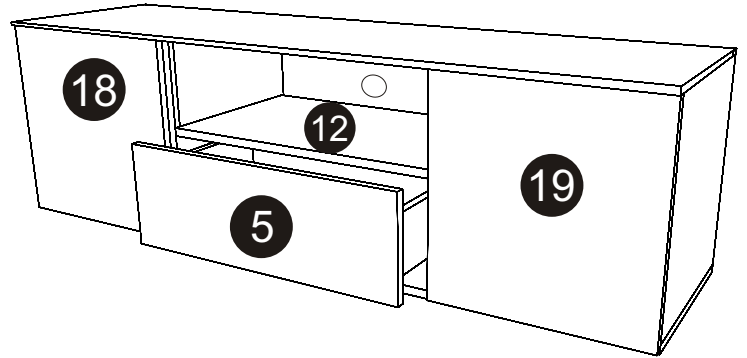
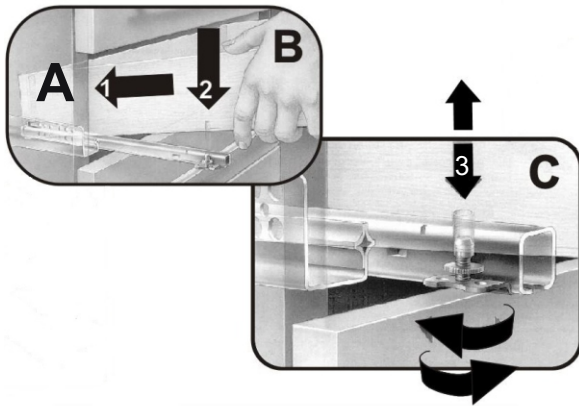
	x4		x8		x2
Z1P	x4	W4	x8	OM1	x2



31



32



33

