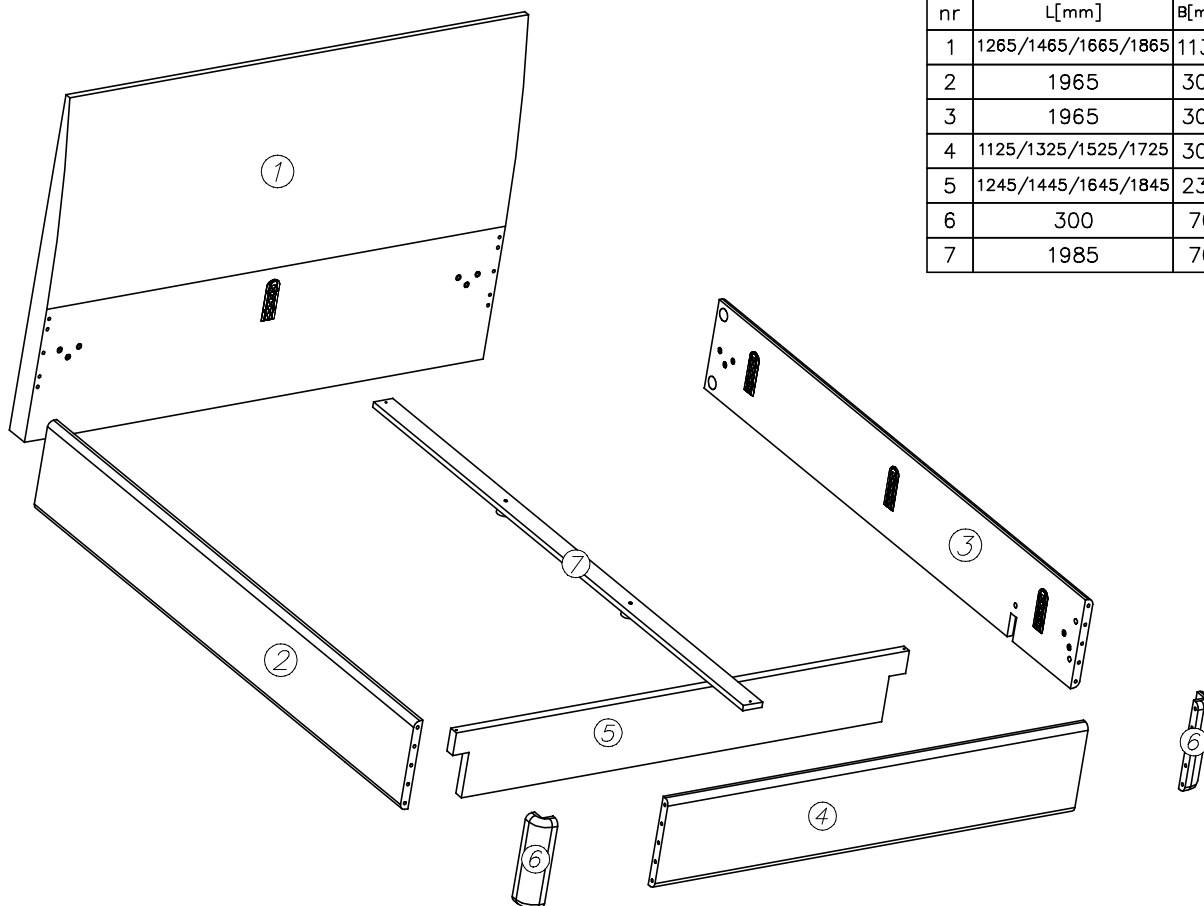
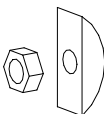
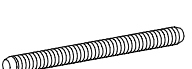
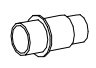
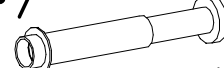
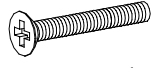
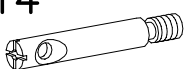
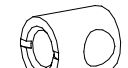

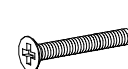
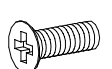
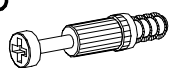



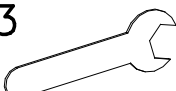
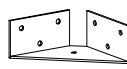

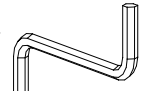
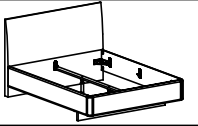


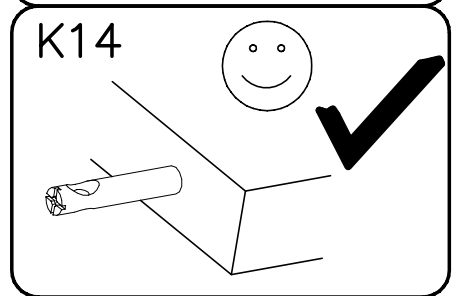
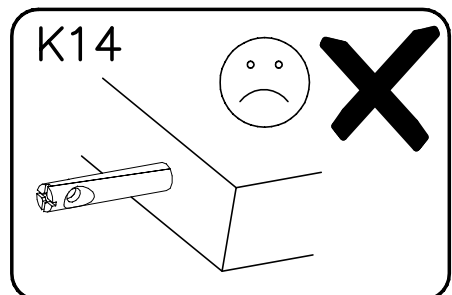
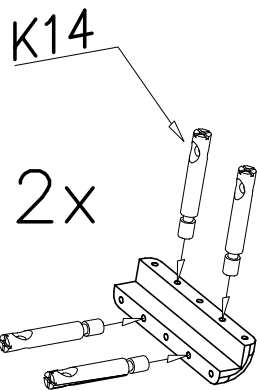
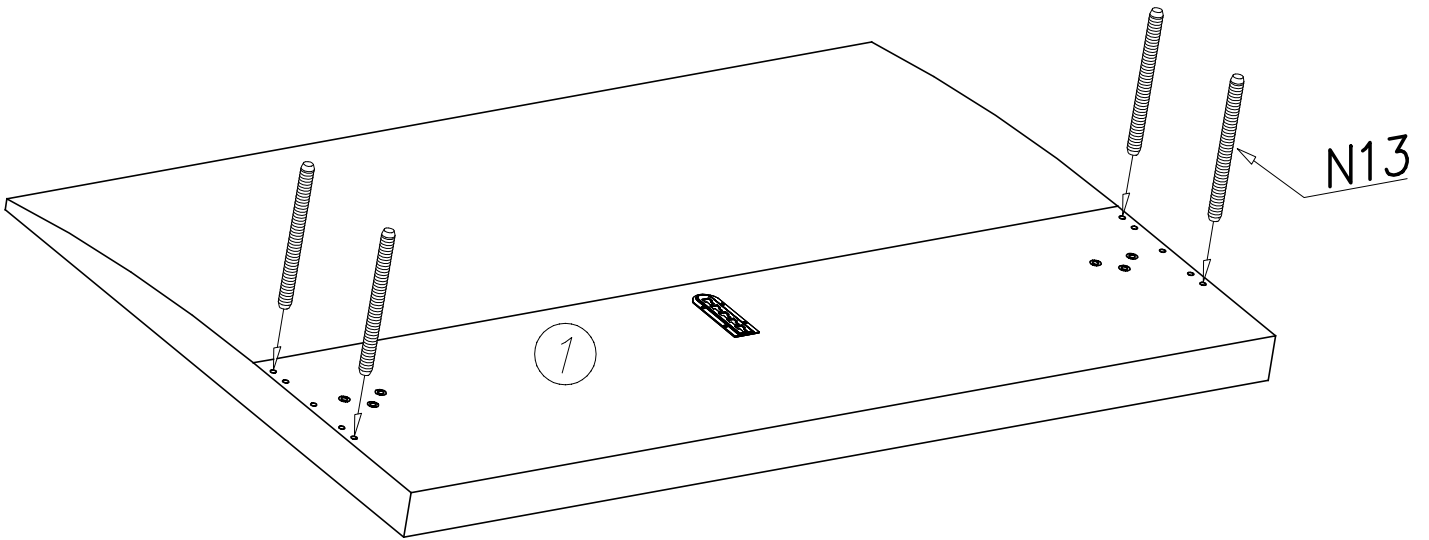
nr	L[mm]	B[mm]	T[mm]	Menge
1	1265/1465/1665/1865	1135		1
2	1965	300	30	1
3	1965	300	30	1
4	1125/1325/1525/1725	300	30	1
5	1245/1445/1645/1845	230	30	1
6	300	70	70	2
7	1985	70	18	1

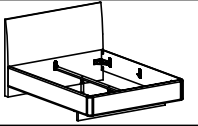


N7	N13	P8	P7	N24
 x...(4)	 $\varnothing 8 \times 70$ x...(4)	 x...(4)	 x...(2)	 M8x40 x...(6)
K14	K15	M3	N22	N23
 x...(8)	 x...(8)	 x...(8)	 M5x25 x...(2)	 M8x20 x...(14)
K5	B1	K16	N5	W3
 x...(2)	 $\varnothing 10 \times 40$ x...(18)	 x...(8)	 x...(2)	 x...(1)
	M12	K1	W2	
	 x...(4)	 x...(2)	 x...(1)	

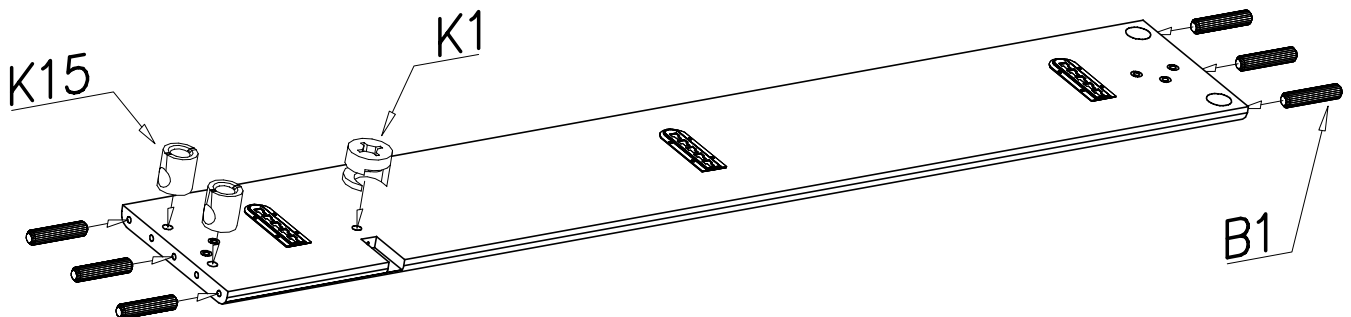
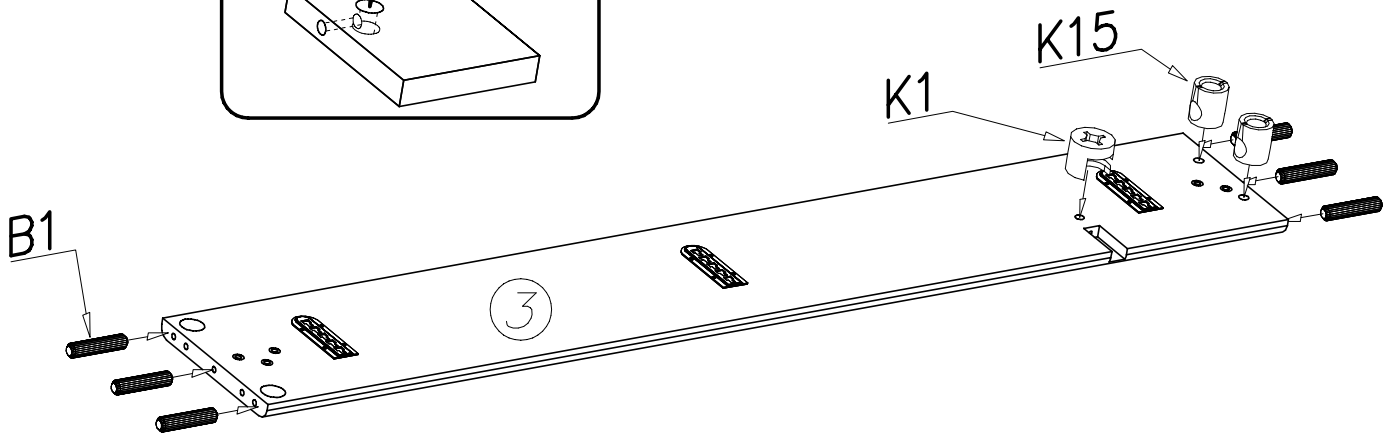
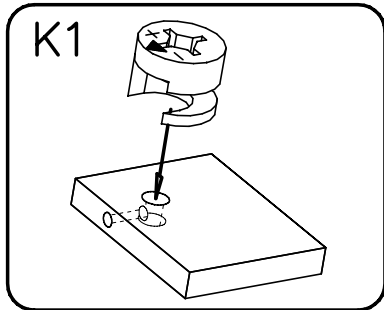
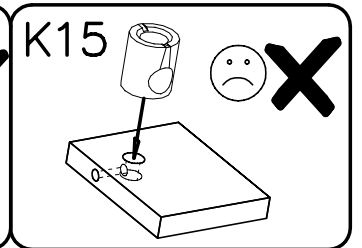
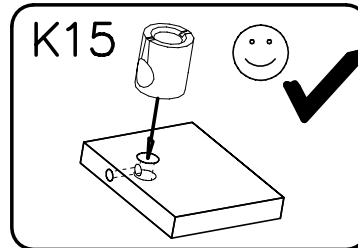
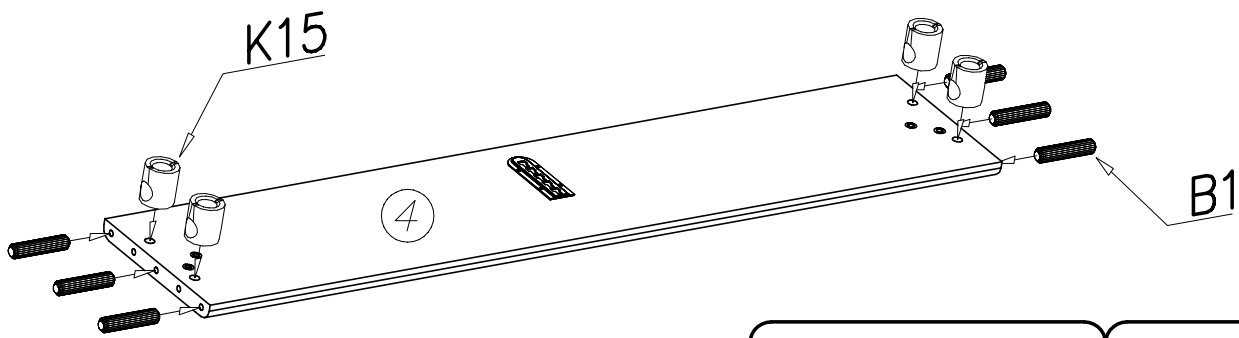
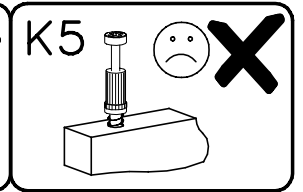
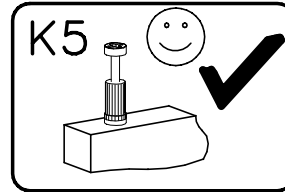
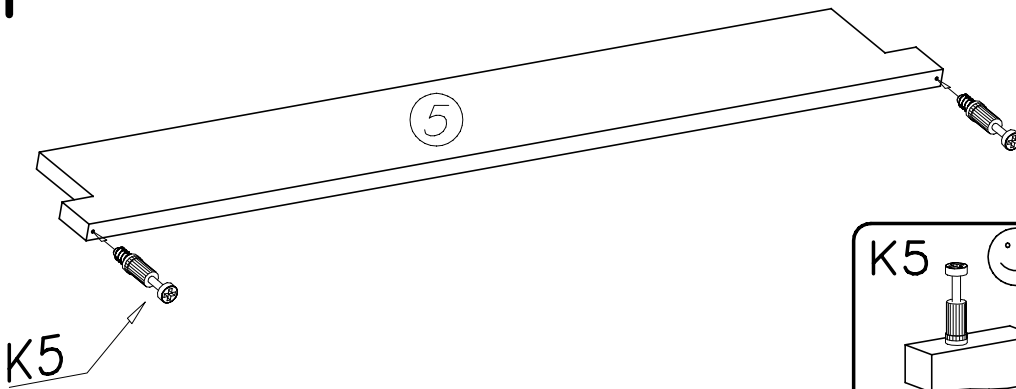


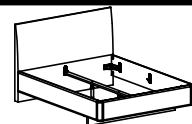
I



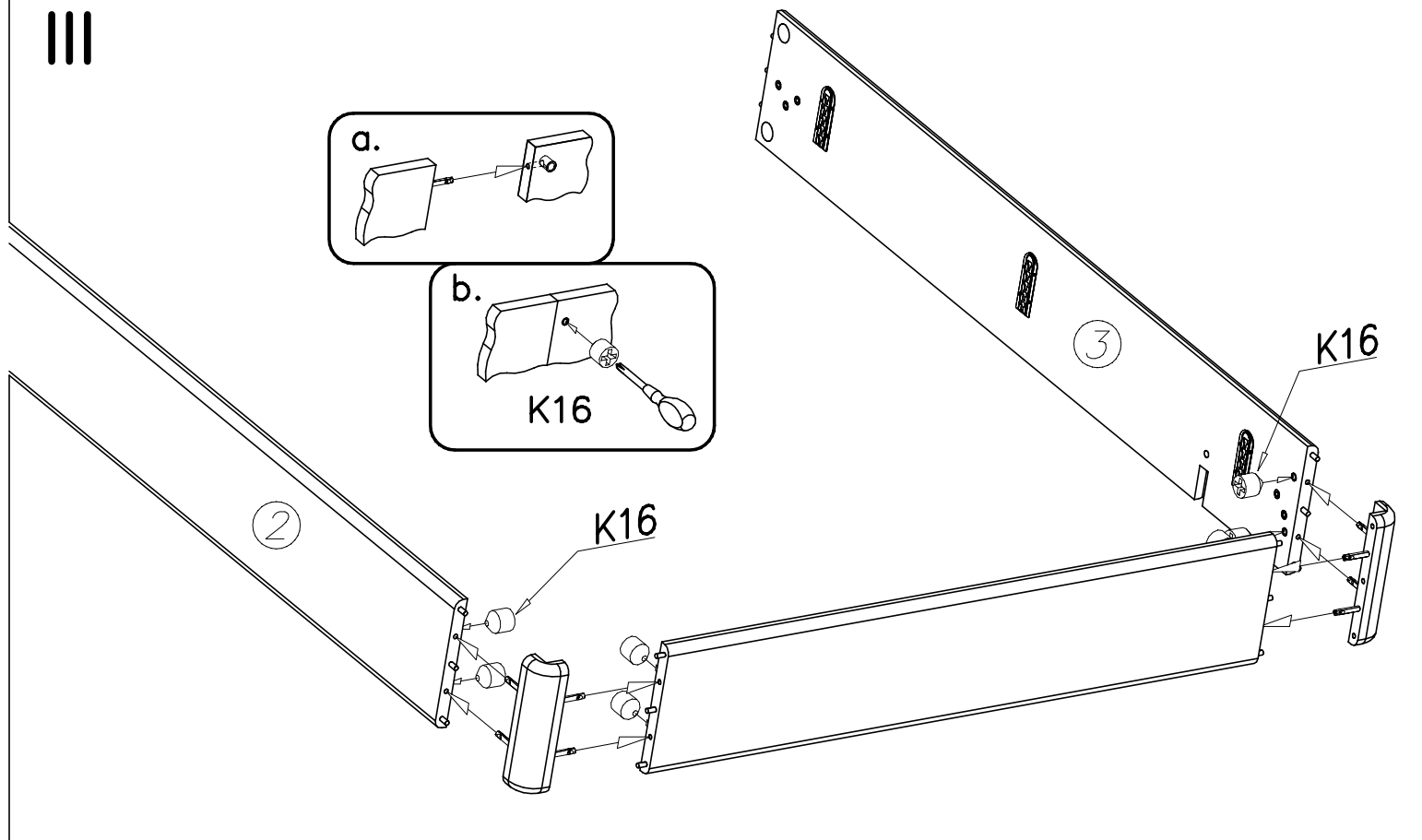


II

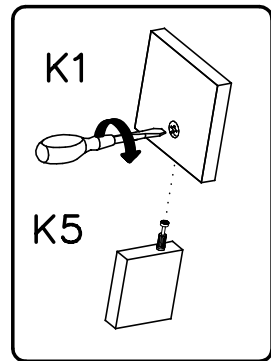
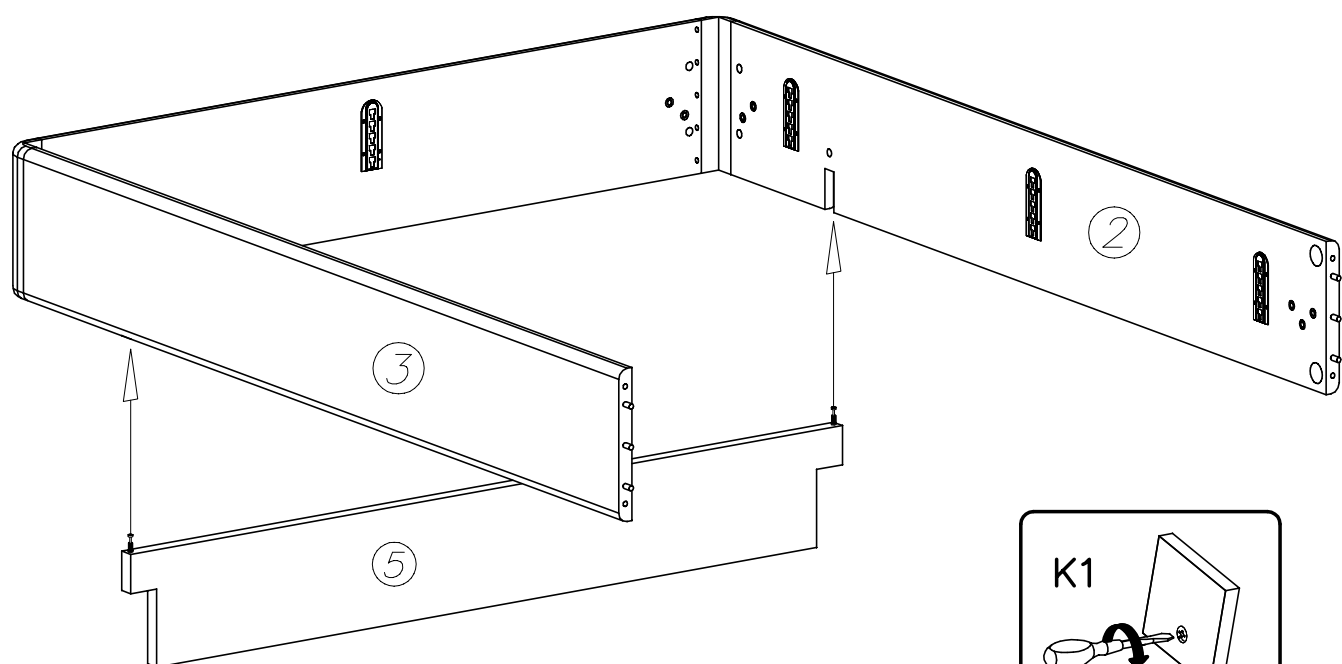


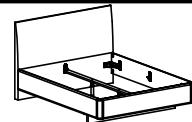


III

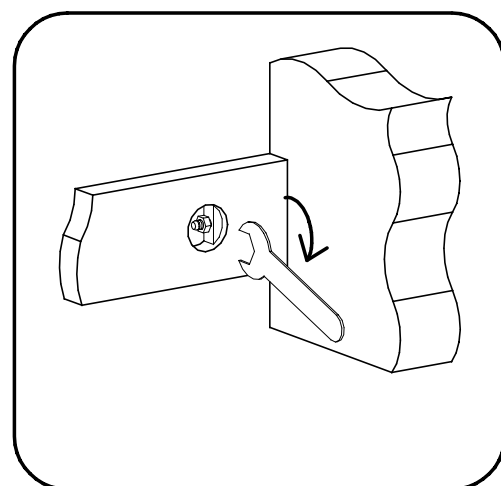
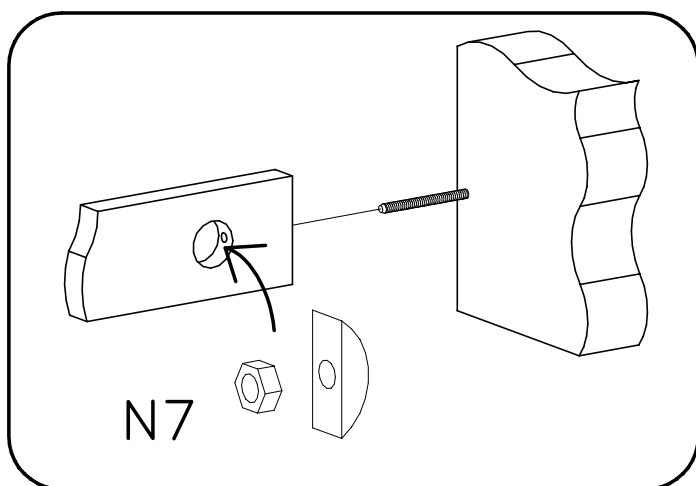
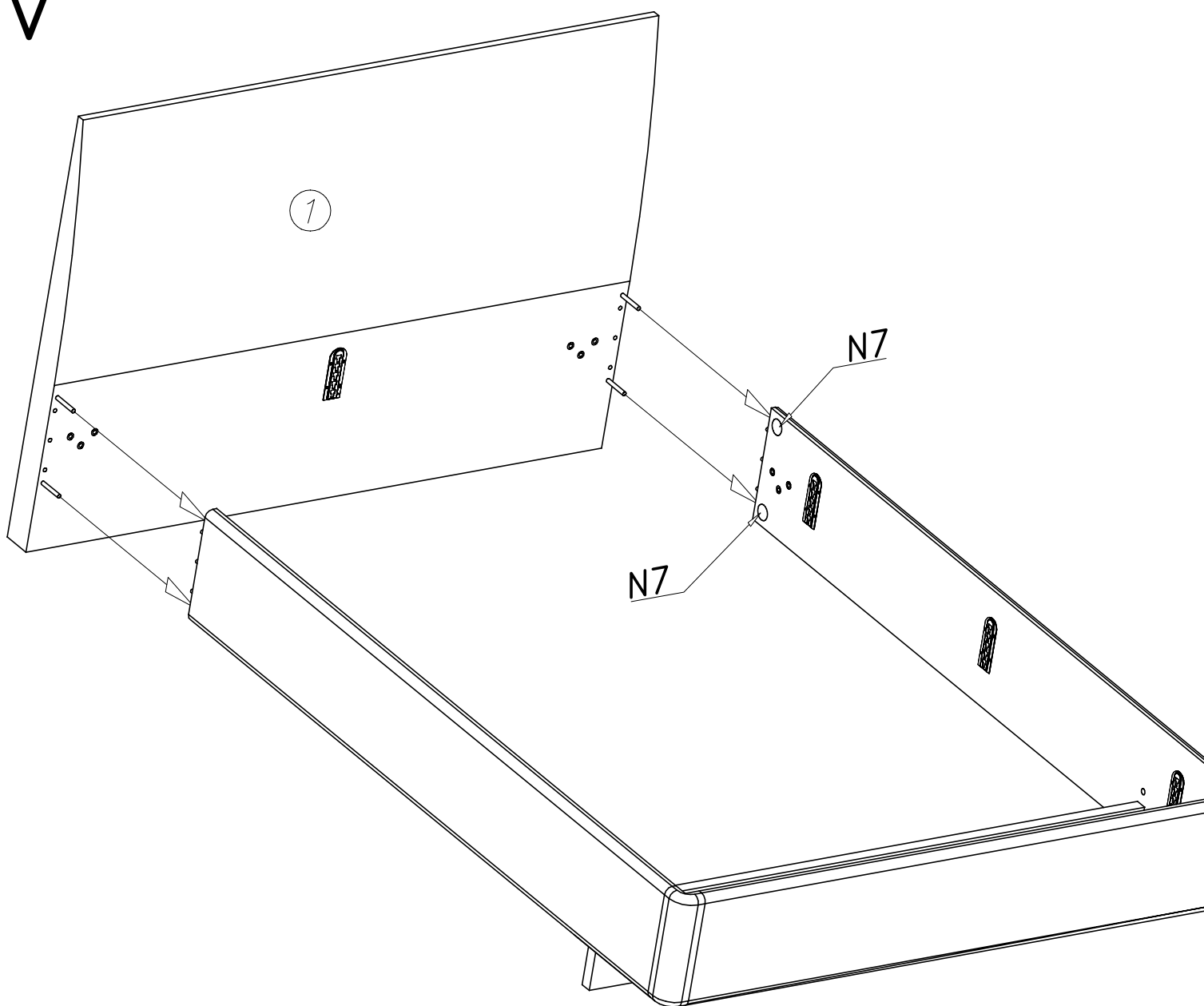


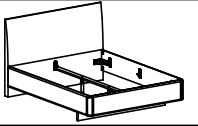
IV



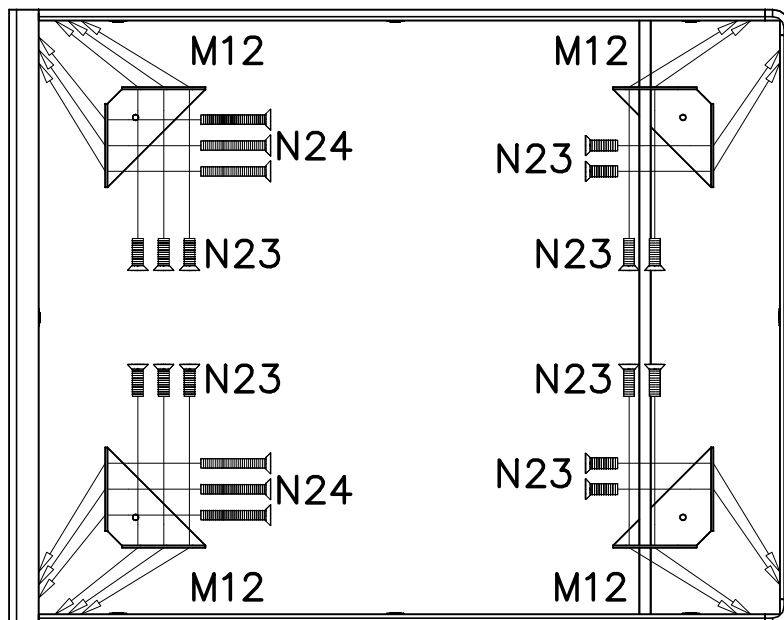
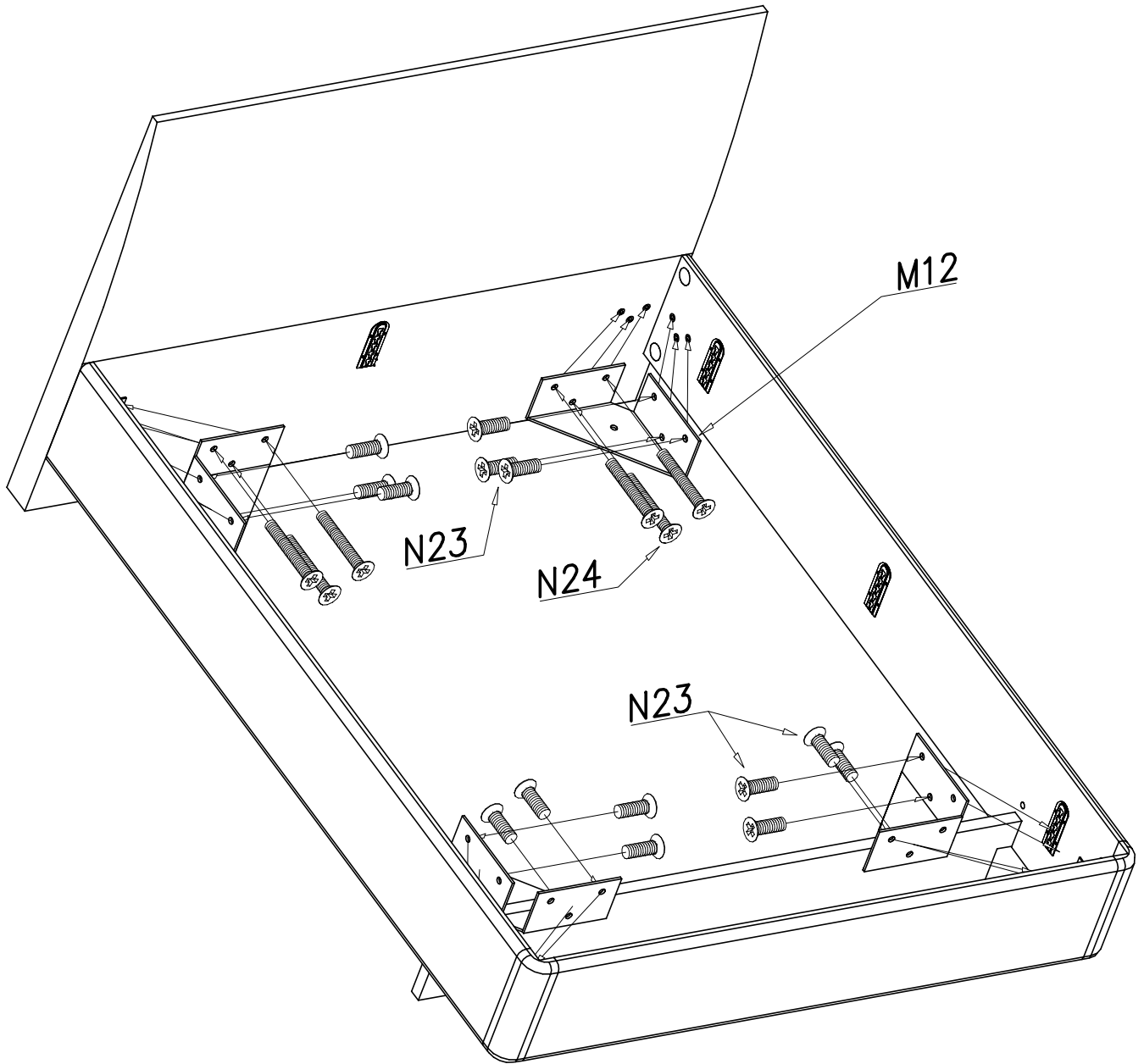


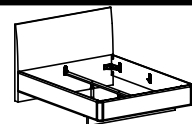
V



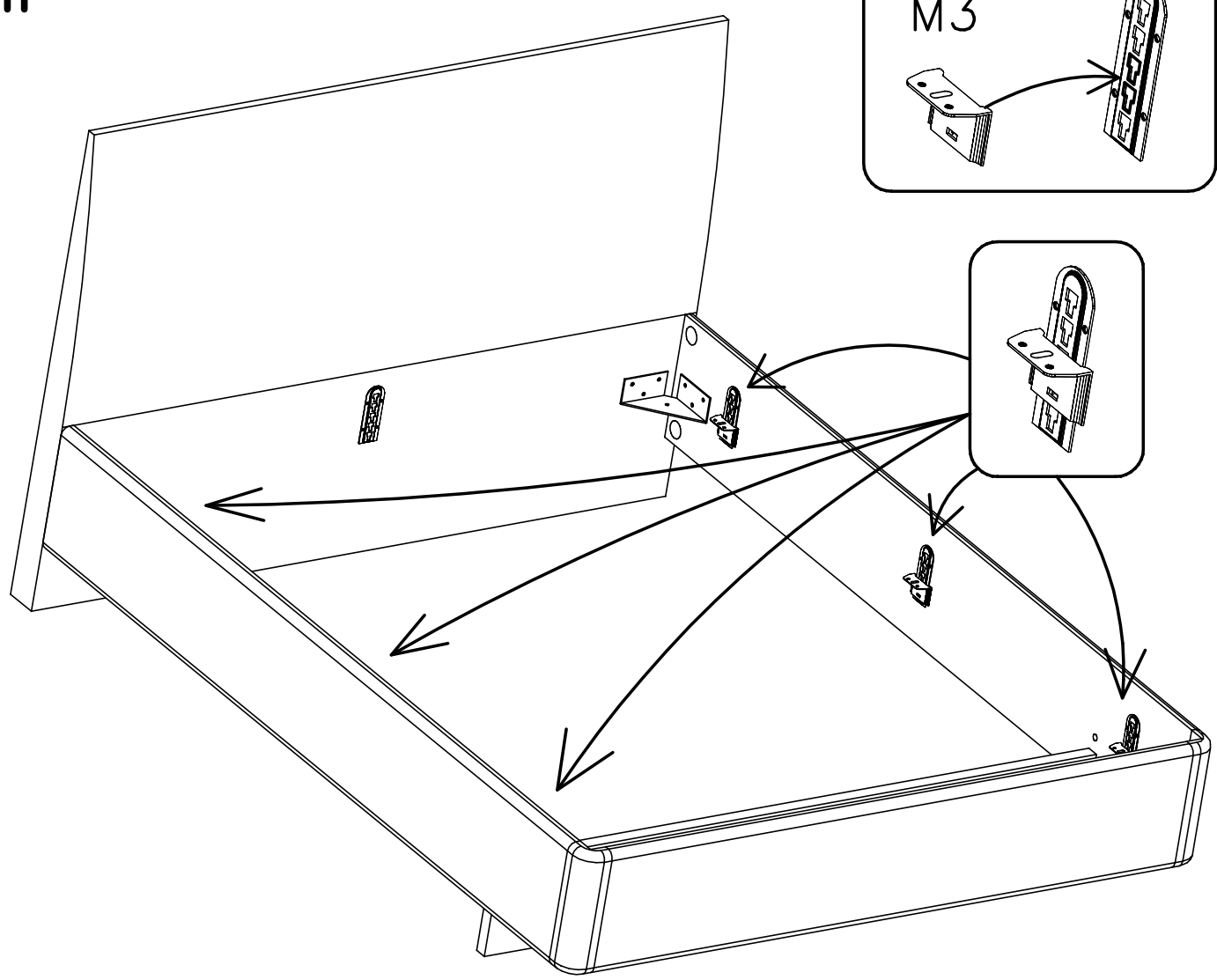


VI

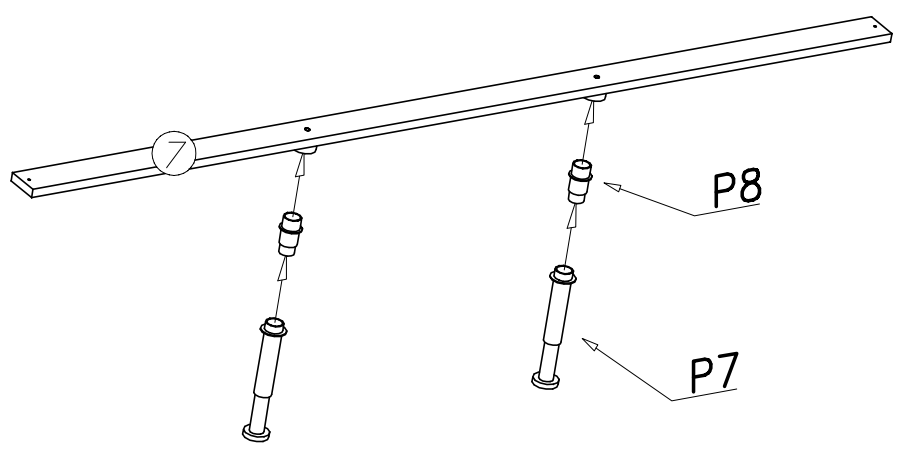


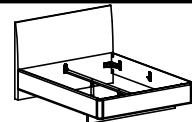


VII

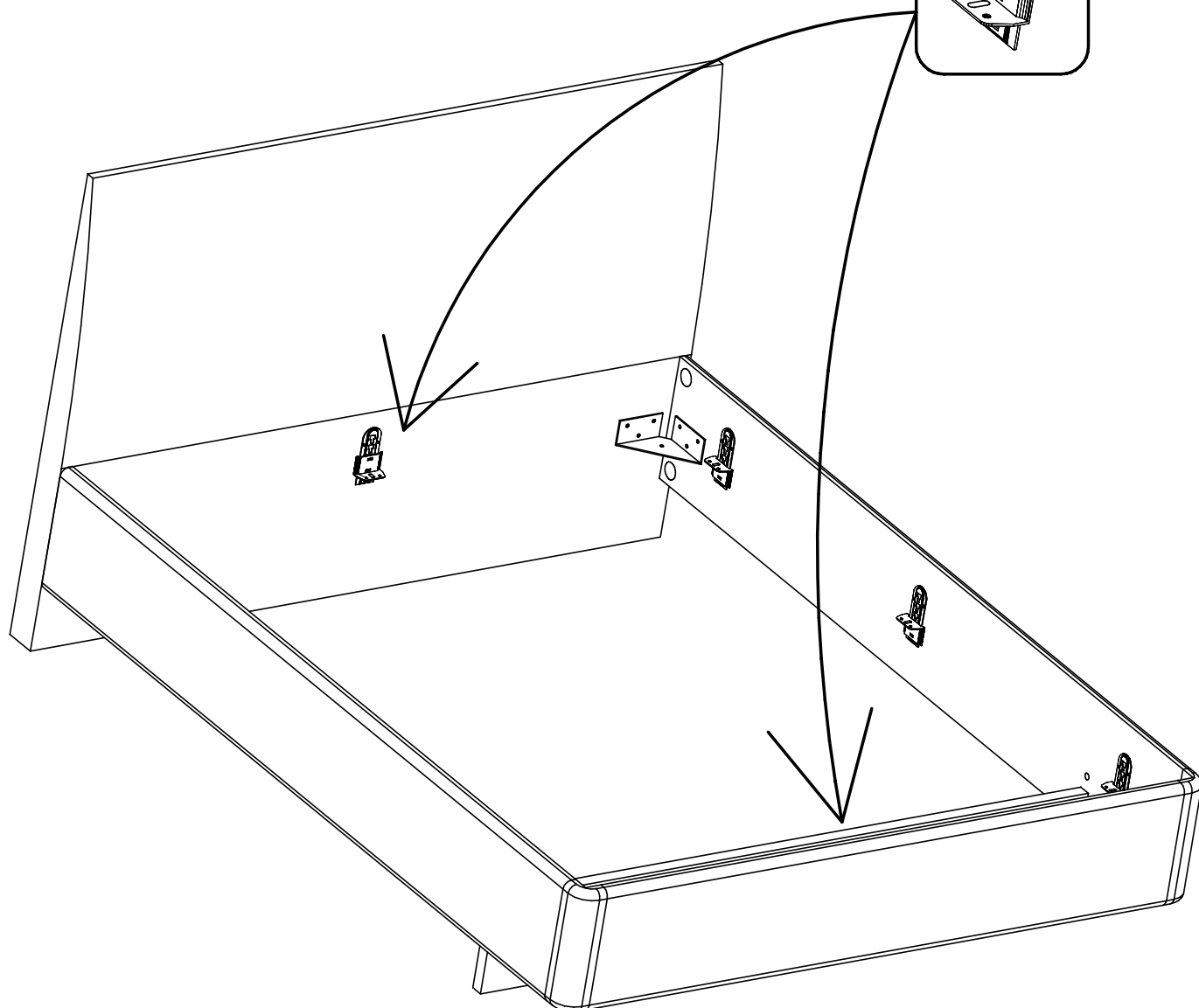
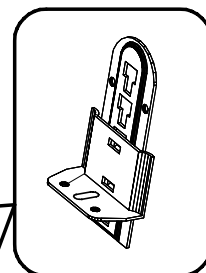
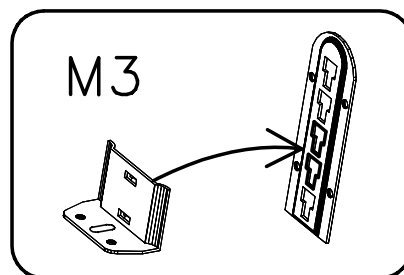


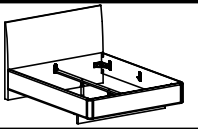
VIII





IX





X

