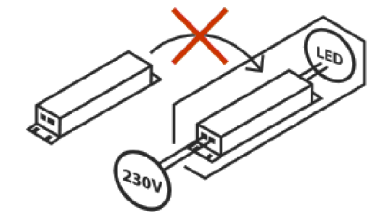
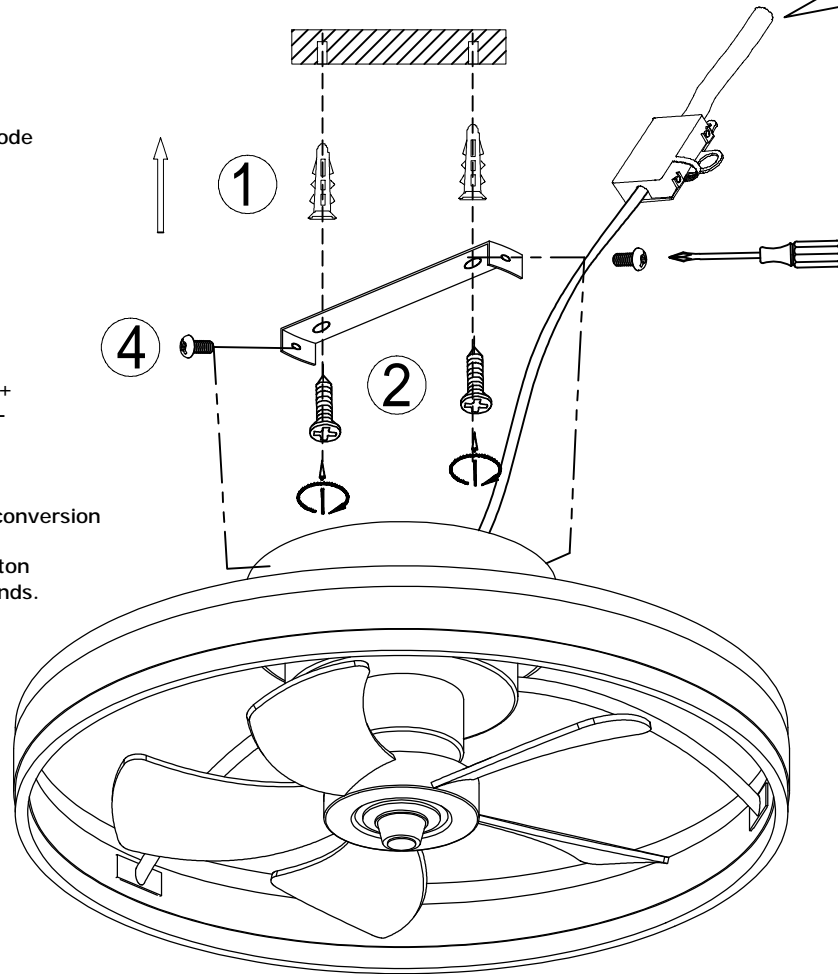
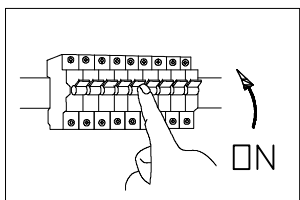


1. ALL OFF
2. No function
3. SUMMER/WINTER mode
4. Fan wind speed 1
5. Fan wind speed 2
6. Fan wind speed 3
7. Fan wind speed 4
8. Fan wind speed 5
9. Fan wind speed 6
10. Fan stop
11. Dimming +
12. Dimming -
13. Light temperature +
14. Light temperature -
15. Light ON/OFF
16. Timing function 1H
17. Timing function 2H
18. Color temperature conversion

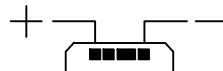
Pairing mode: Press button ON/OFF (15) for 3 seconds.





220-240 V ~ 50/60 Hz
LED 29W / Fan 20W



Frequency bands 2400~2480MHz
6dBm



Spare parts		
code	part	Item no.
A		x 2
B		x 2