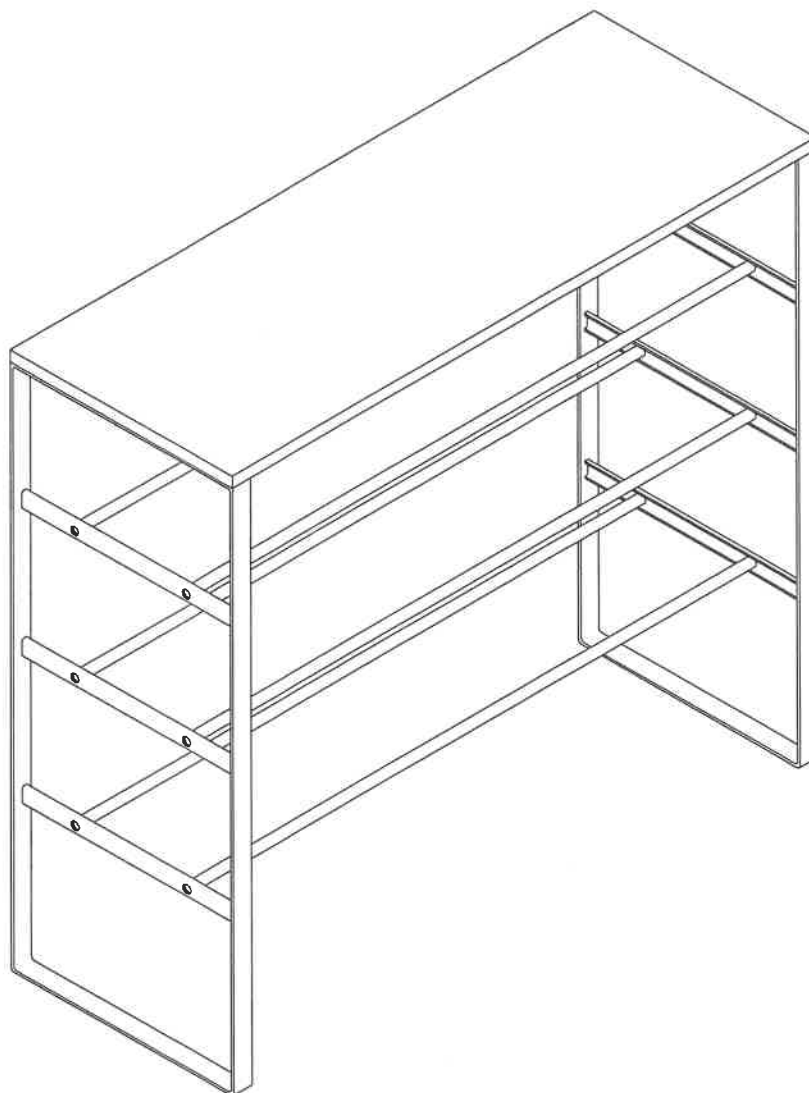





Assembly Instruction



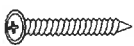




Item no. XHJ250001
xonox.home
 Maßbrucher Weg 25
 32657 Lemgo

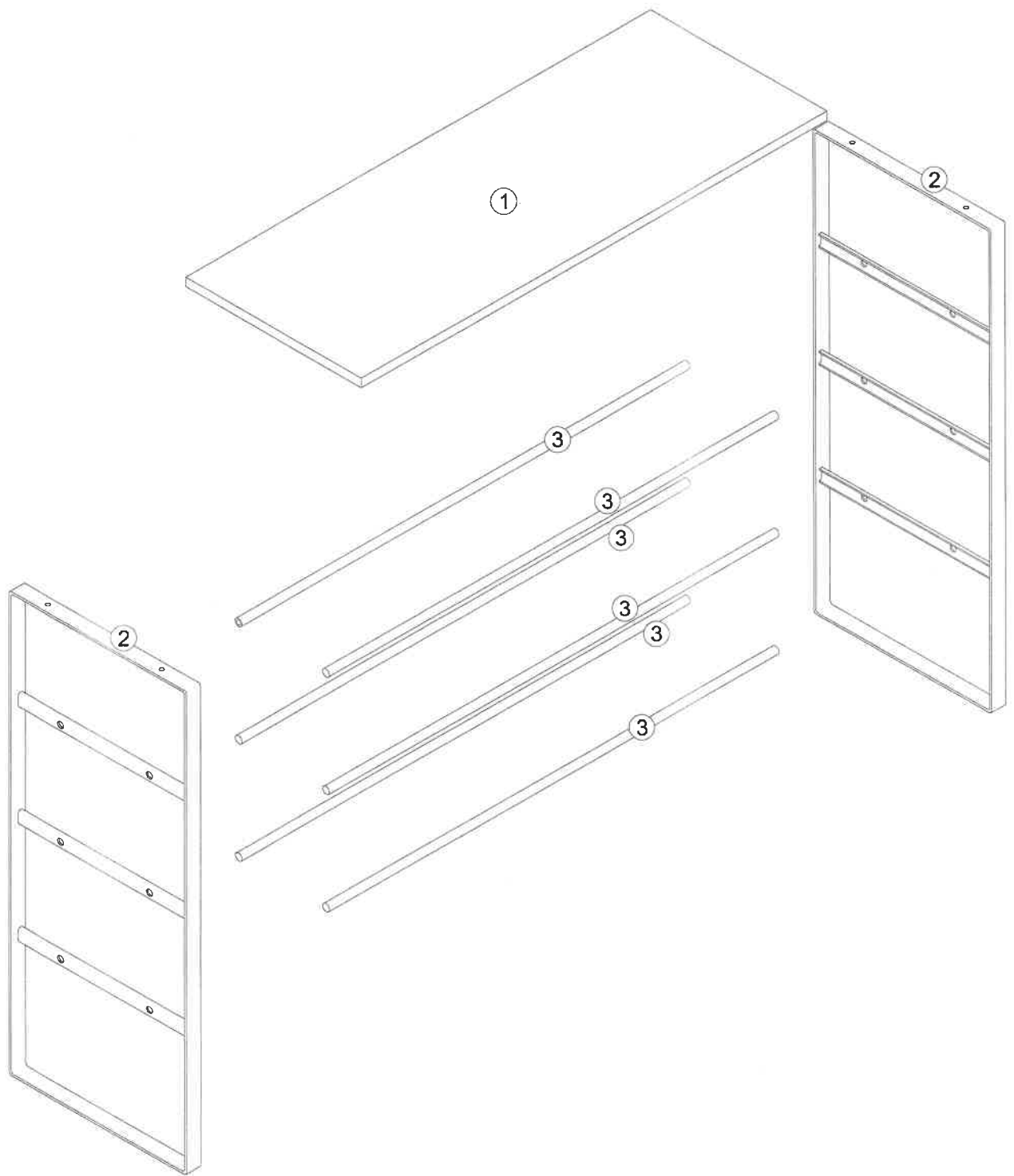


Parts List

<p>①</p>  <p>1PC</p>	<p>②</p>  <p>2PCS</p>	<p>③</p>  <p>6PCS</p>		
--	--	--	--	--

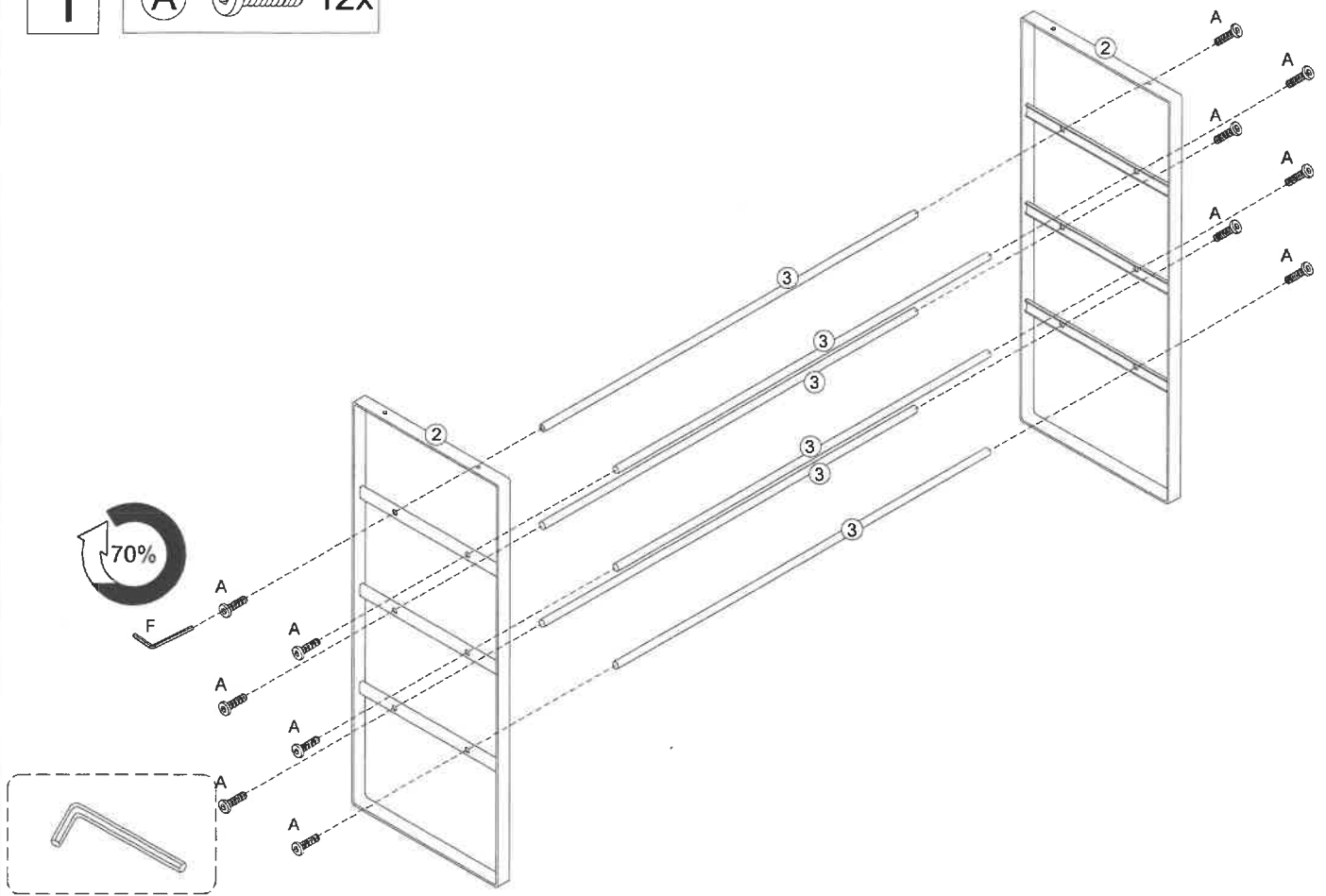
HARDWARE LIST

 <p>M6*14 A x 12PCS</p>	 <p>3.5*12 B x 5PCS</p>	 <p>4*35 C x 1PC</p>	 <p>D x 1PC</p>	 <p>E x 1PC</p>	 <p>M4 F x 1PC</p>	 <p>G x 4PC</p>
--	--	---	--	---	---	--



1

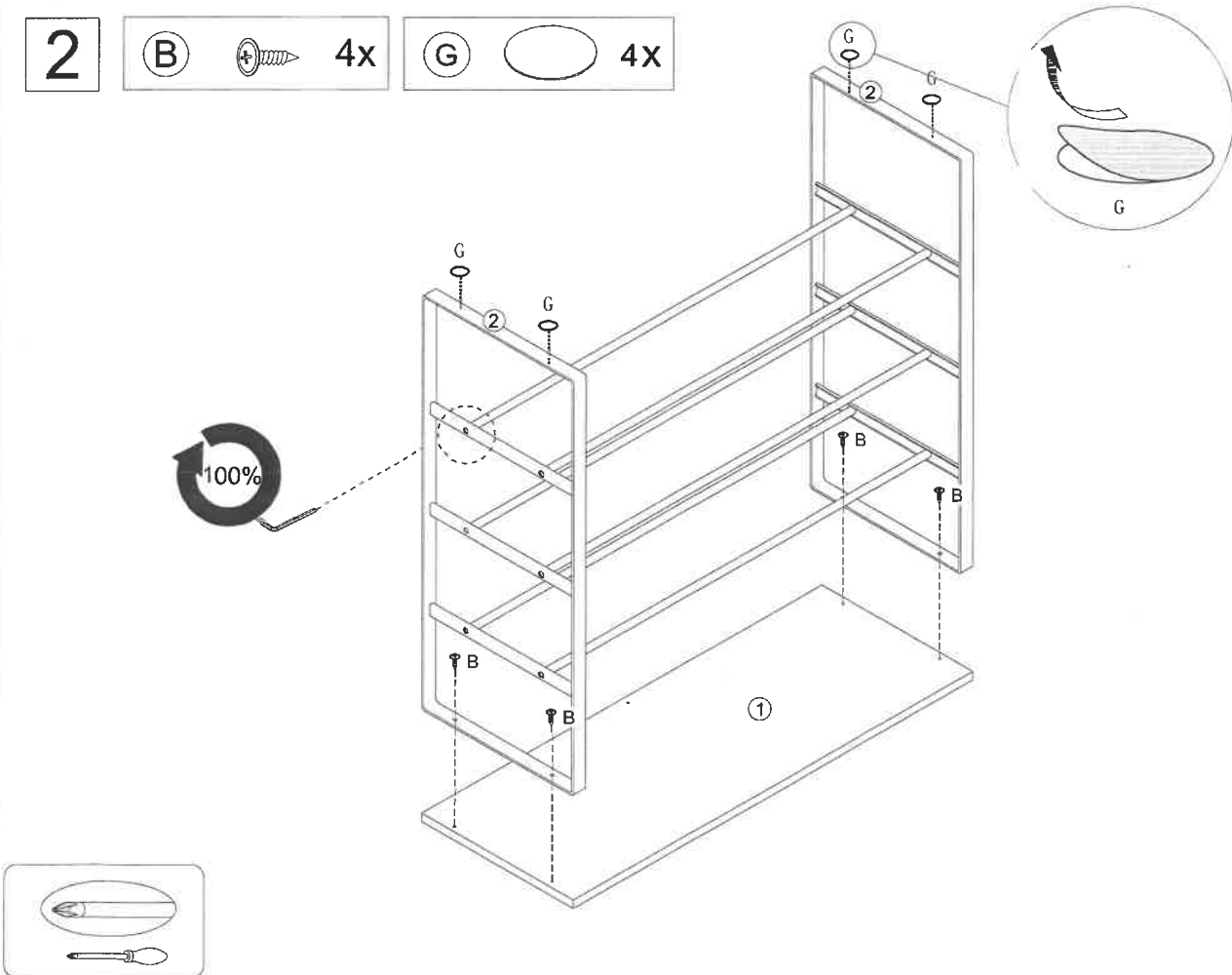
(A)  12x




2

(B)  4x


(G)  4x



3

(B)  1x

(C)  1x

(D)  1x

(E)  1x

