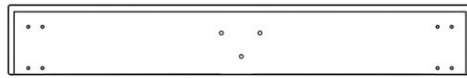
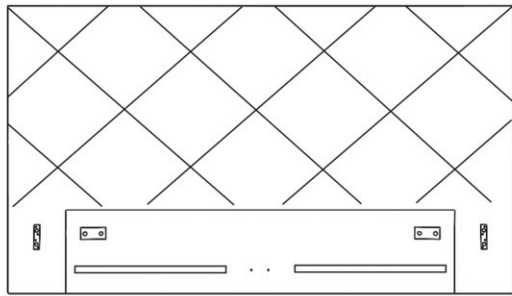
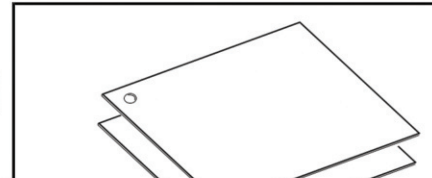
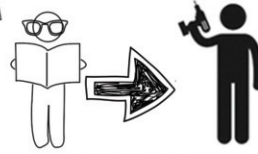
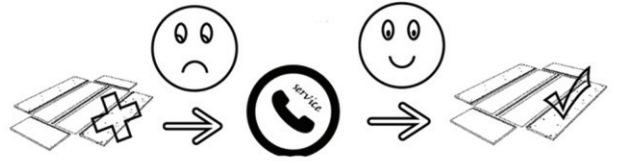
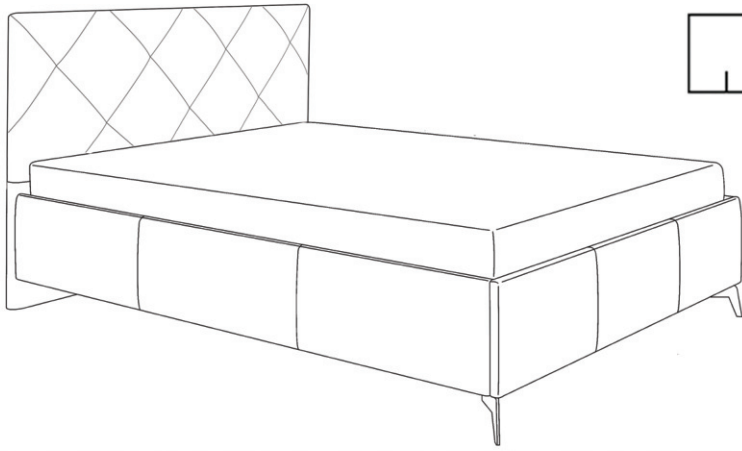
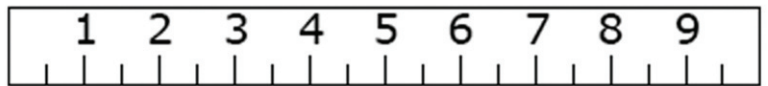


# BIANCO

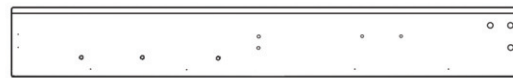


10mm / 13mm

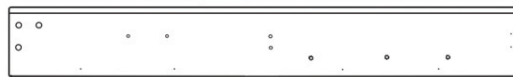
BED WITH STORAGE



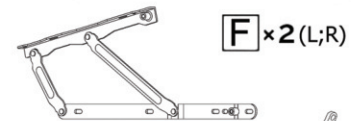
B x 1



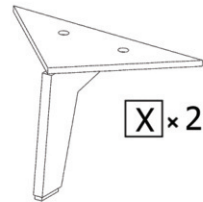
C<sub>1</sub> x 1



C<sub>2</sub> x 1



F x 2 (L/R)



X x 2



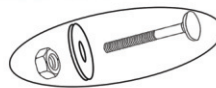
Z<sub>2</sub> x 2



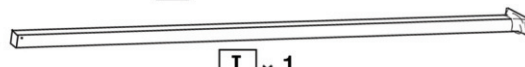
D x 1



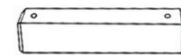
G x 1



Y x 4



I x 1



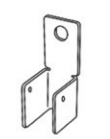
H x 3



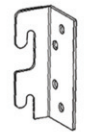
J x 3



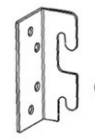
Z x 4



K x 1



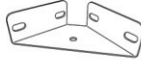
W x 2



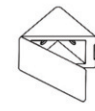
L x 2



M x 2



N x 2



O x 14

M8x20



P x 9



R x 32



S x 1

ø8x20

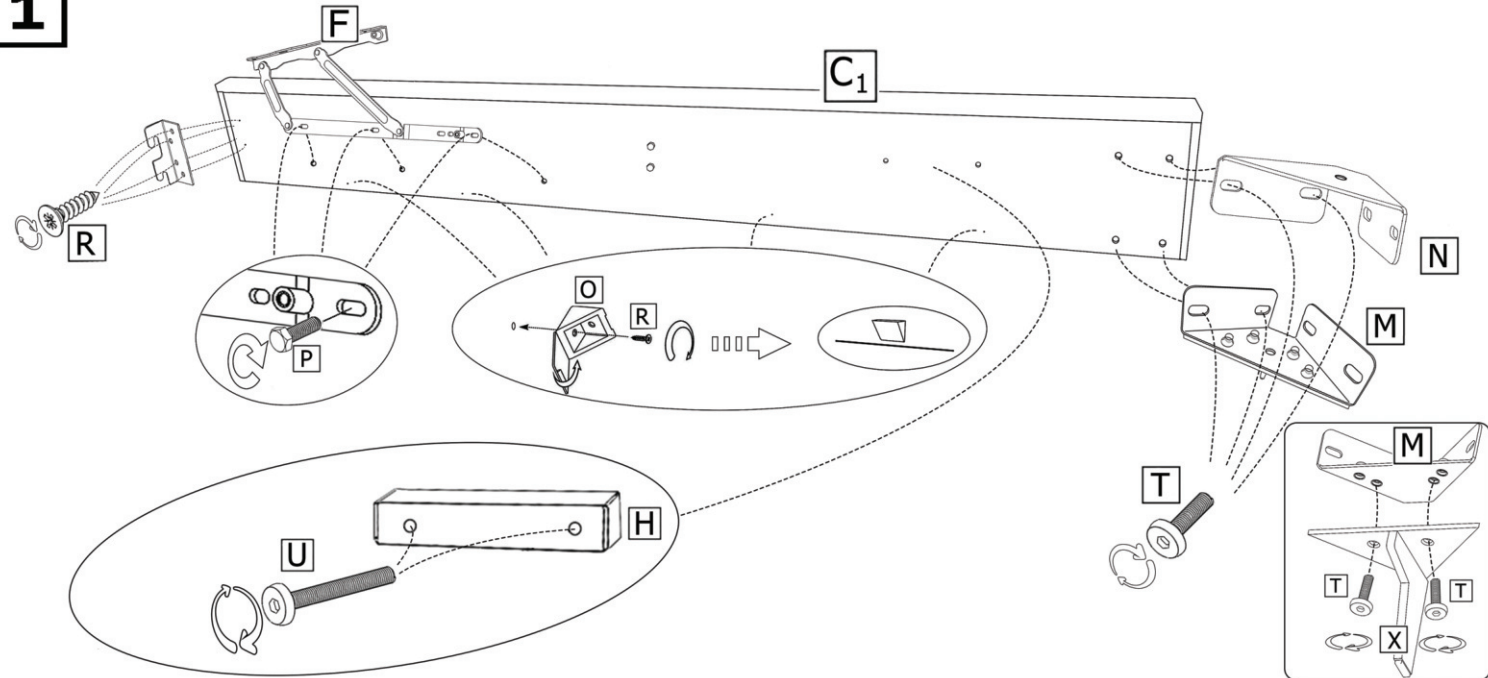


T x 20

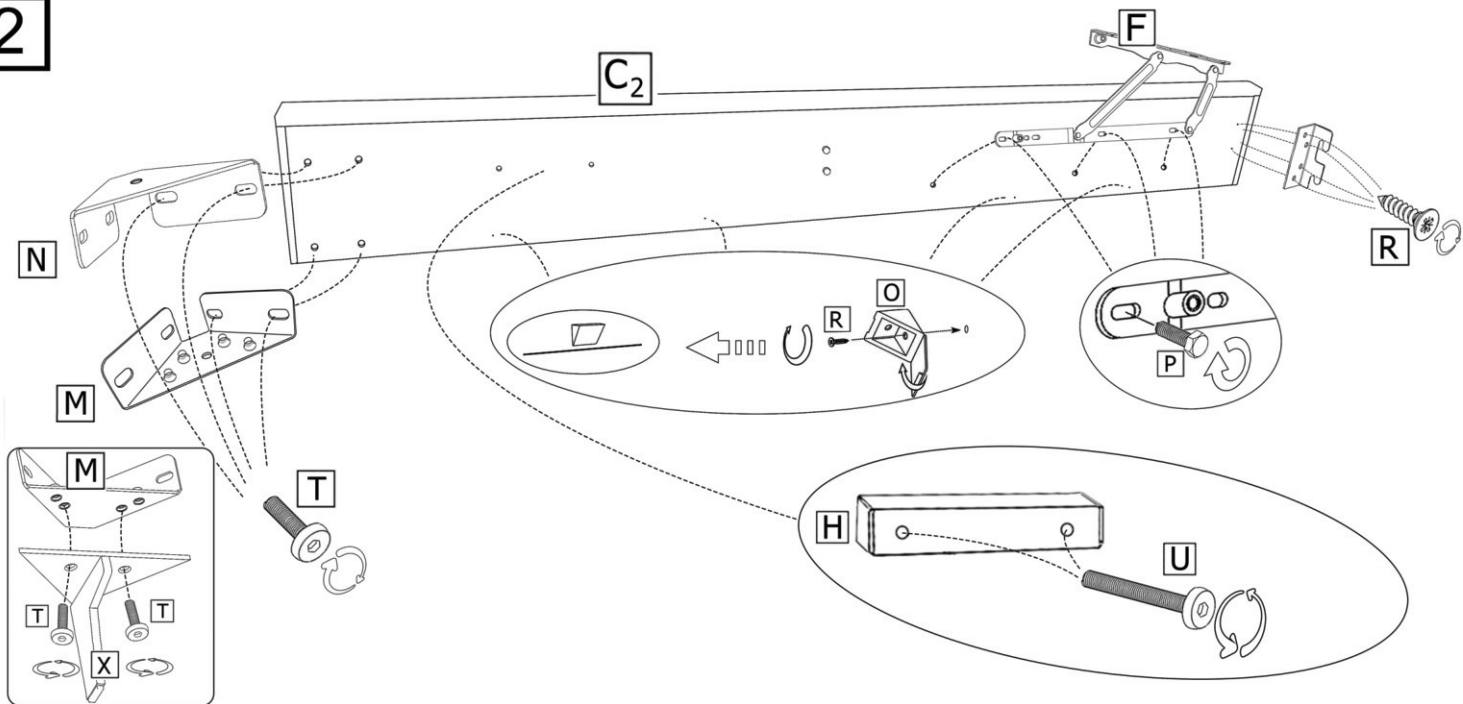


U x 6

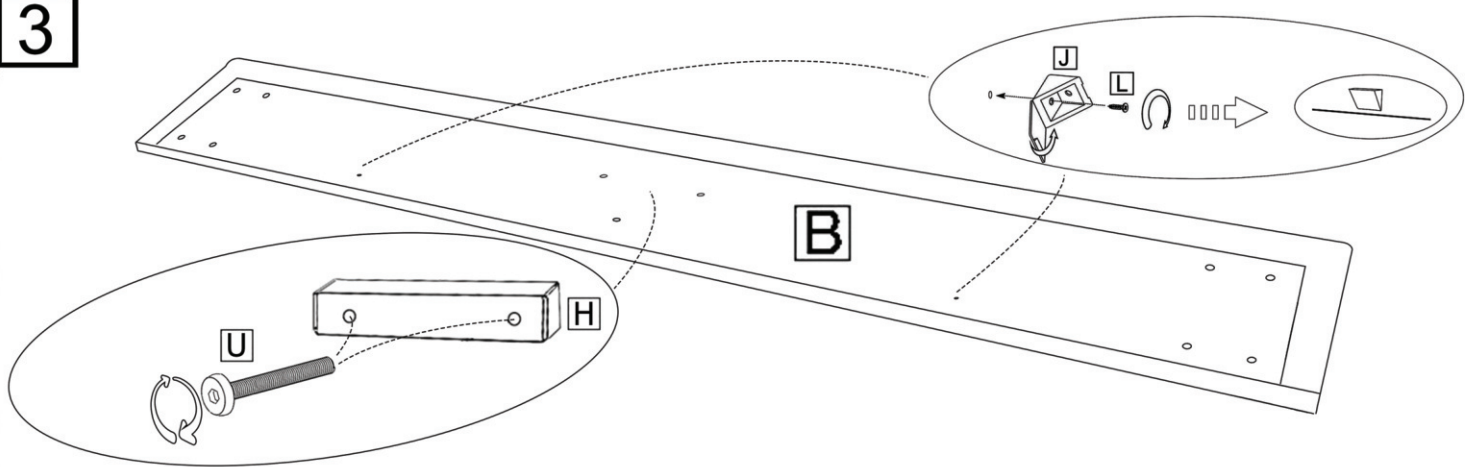
**1**



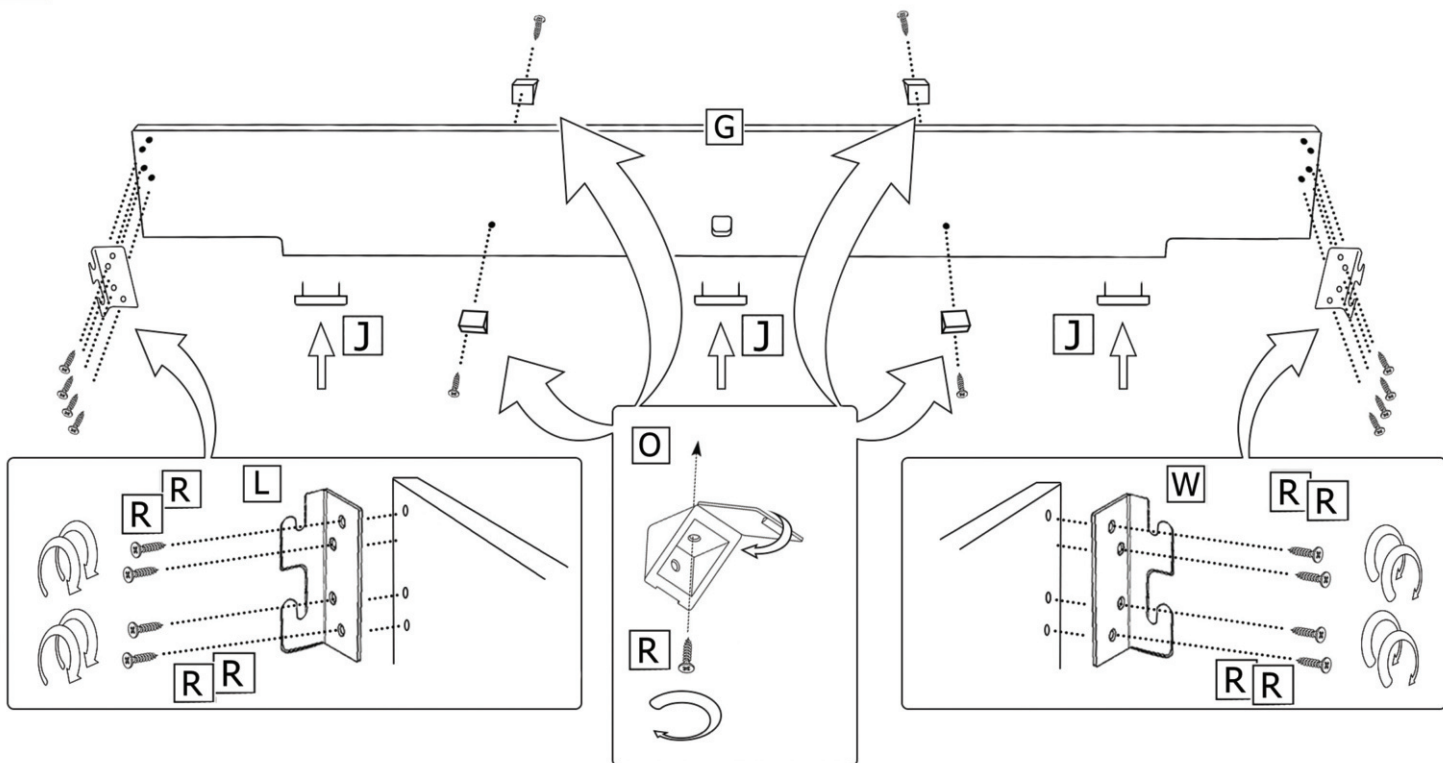
2



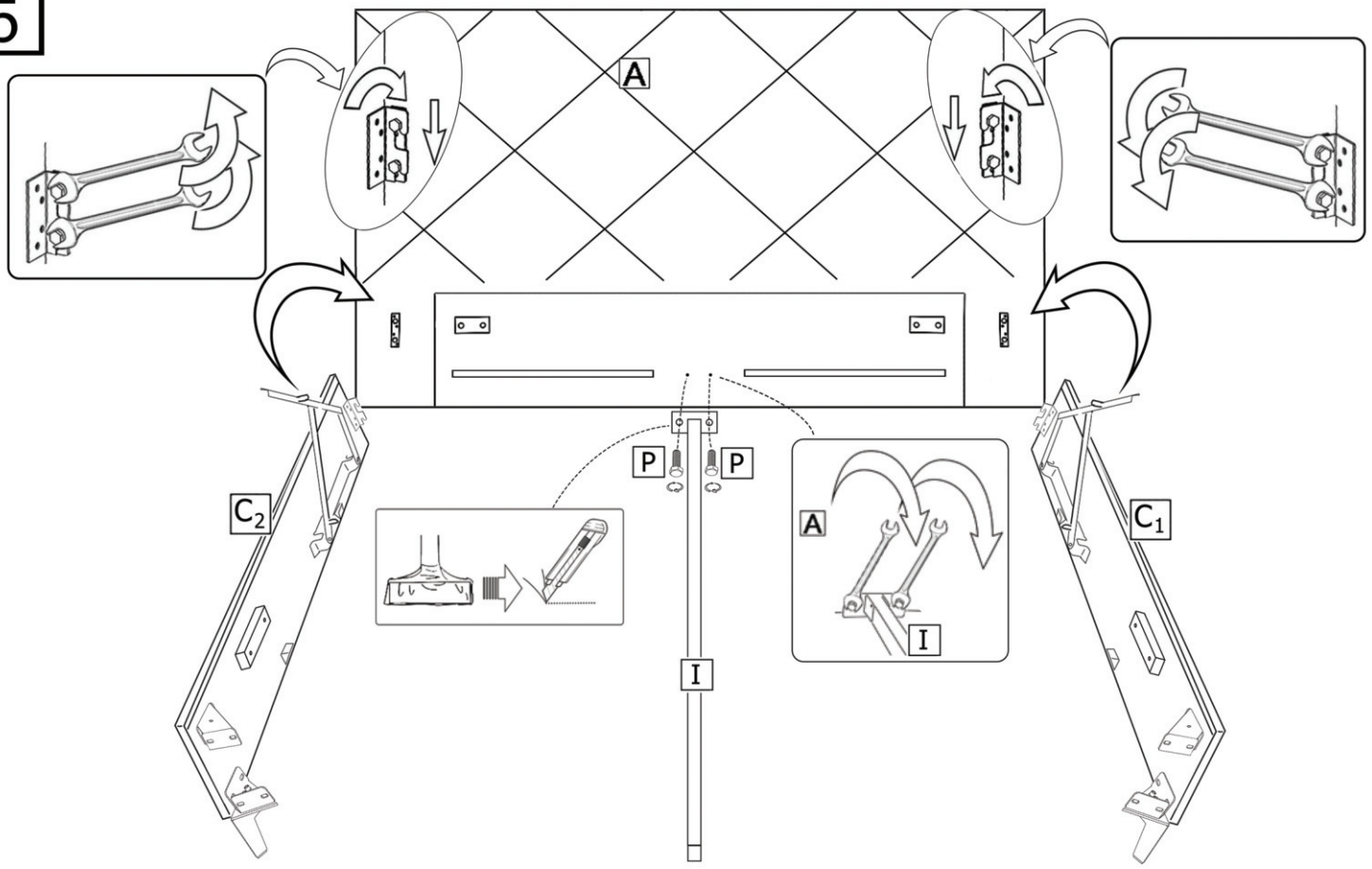
3



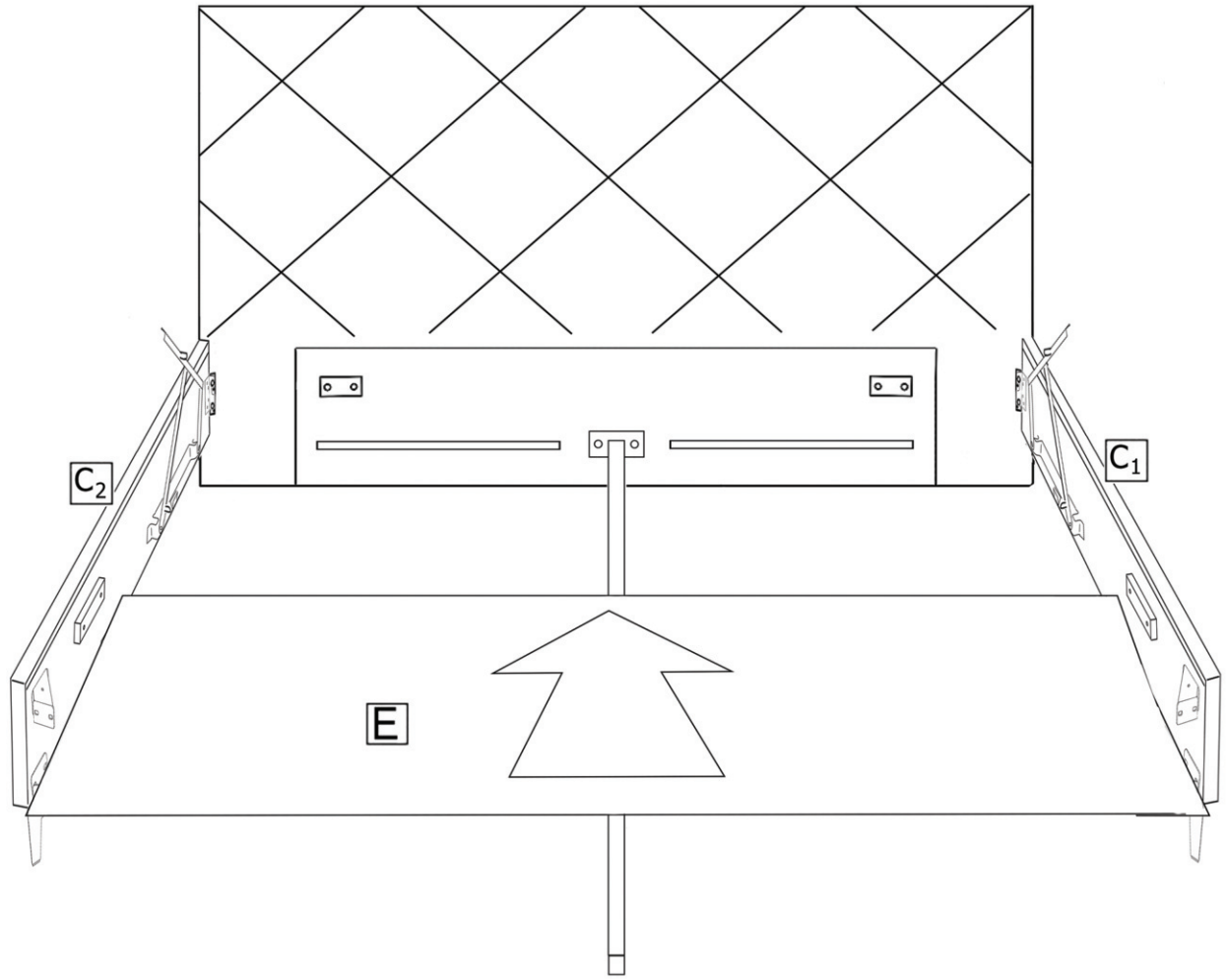
4



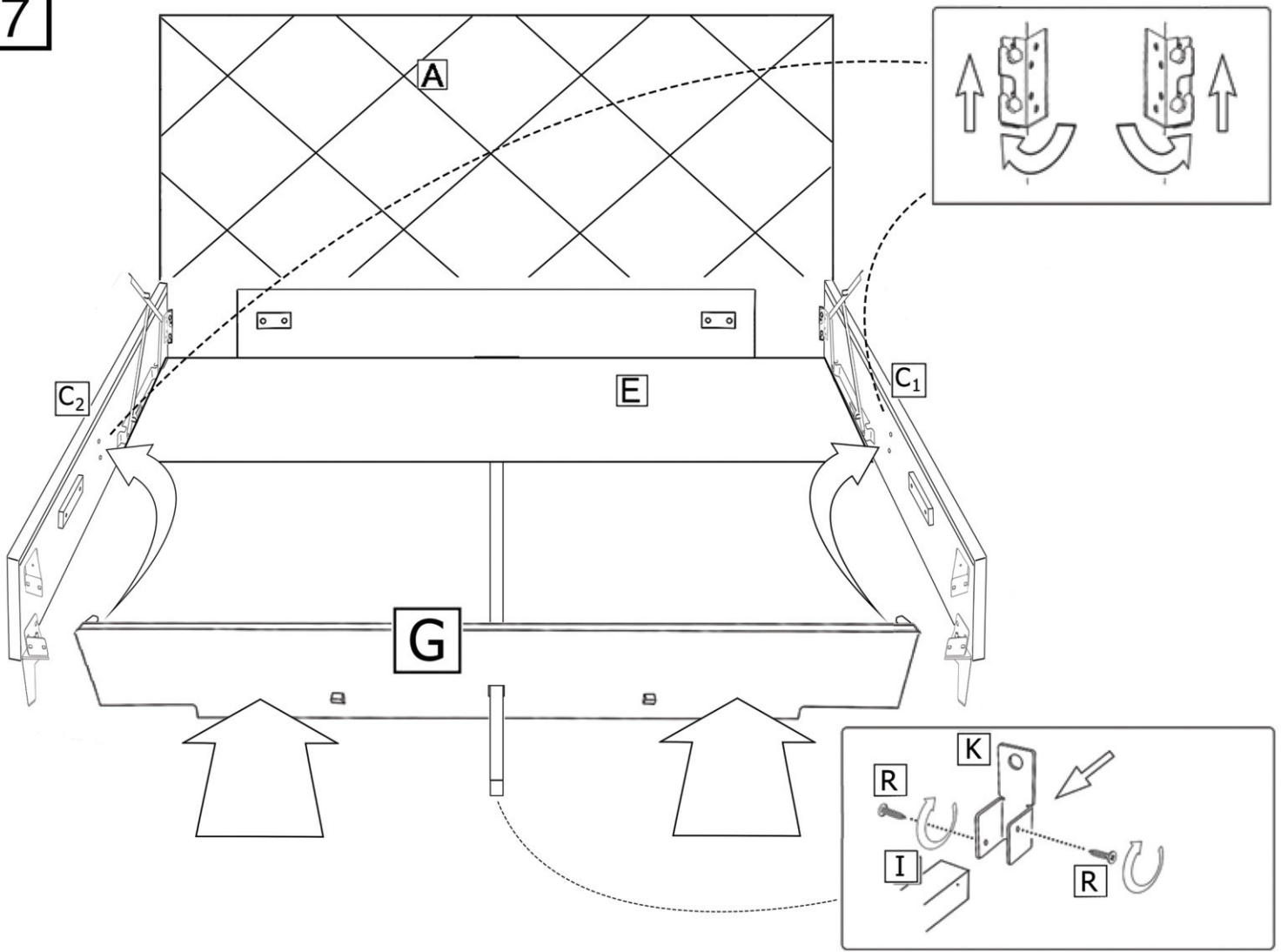
5



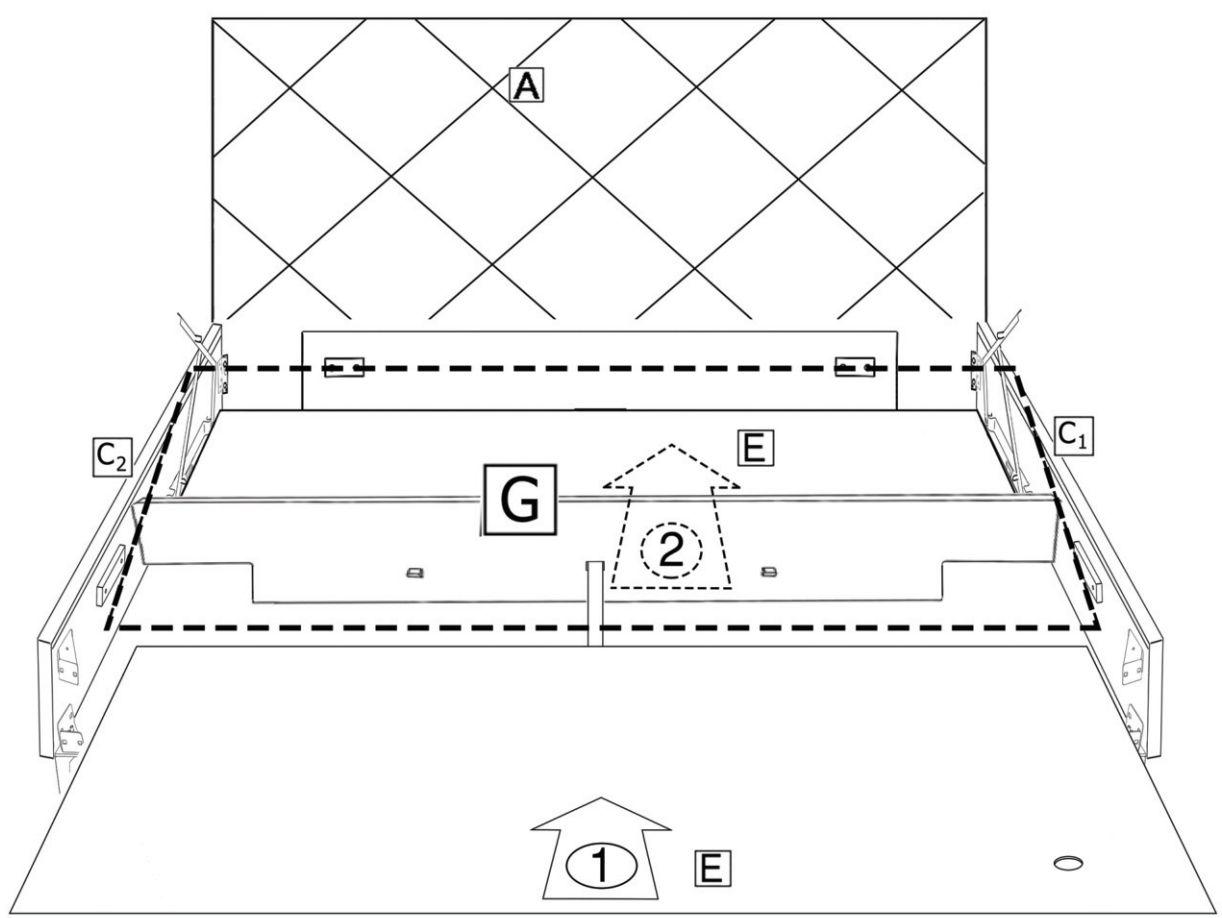
6



7



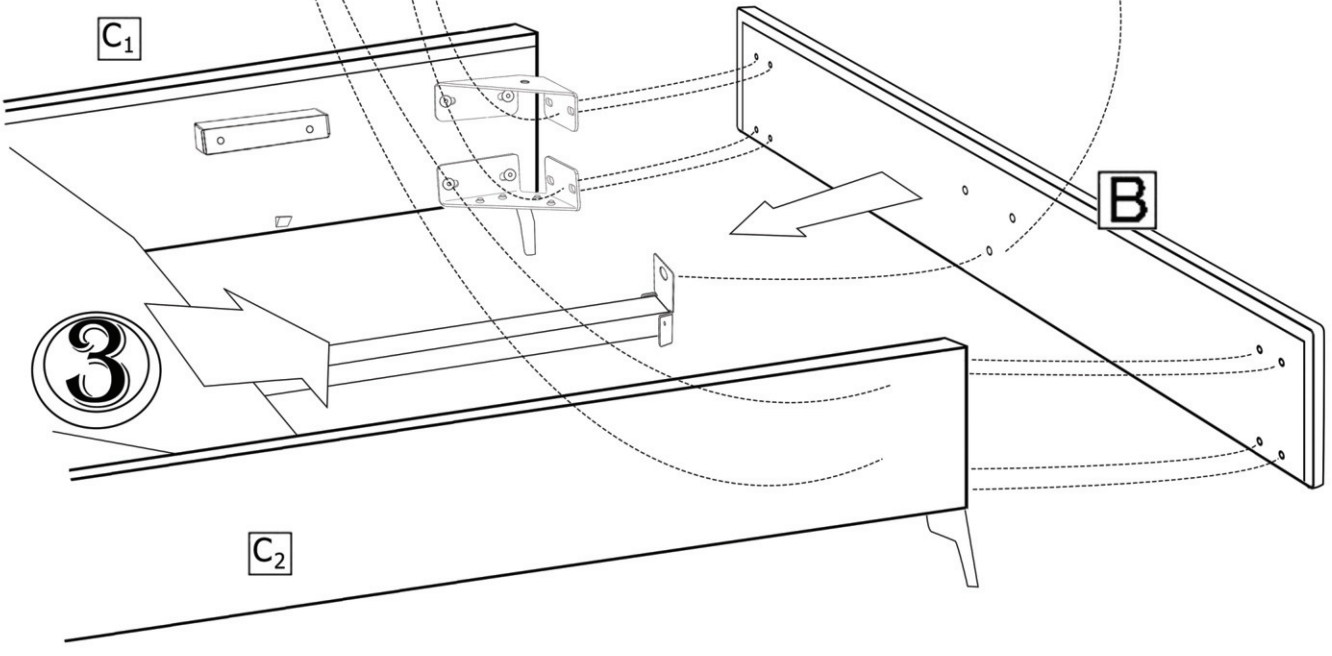
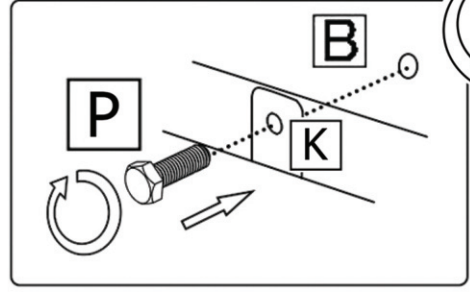
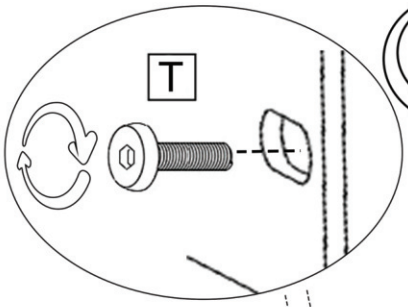
8



9

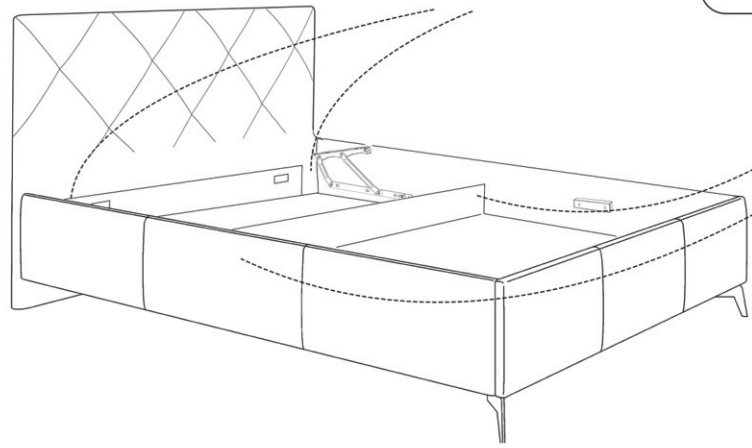
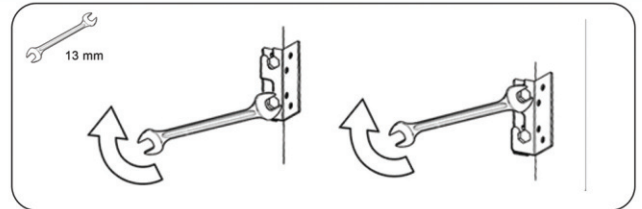
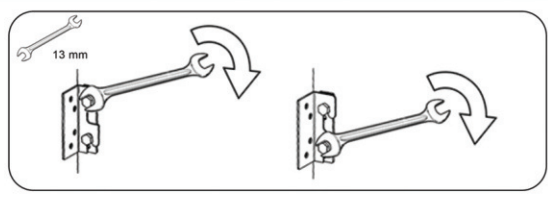
1

2

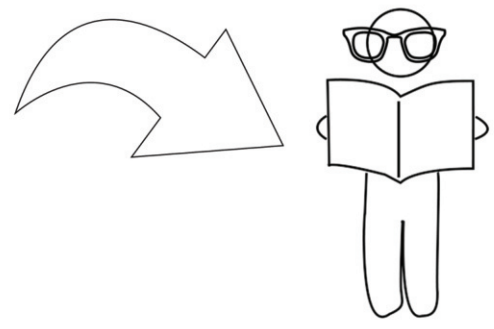


3

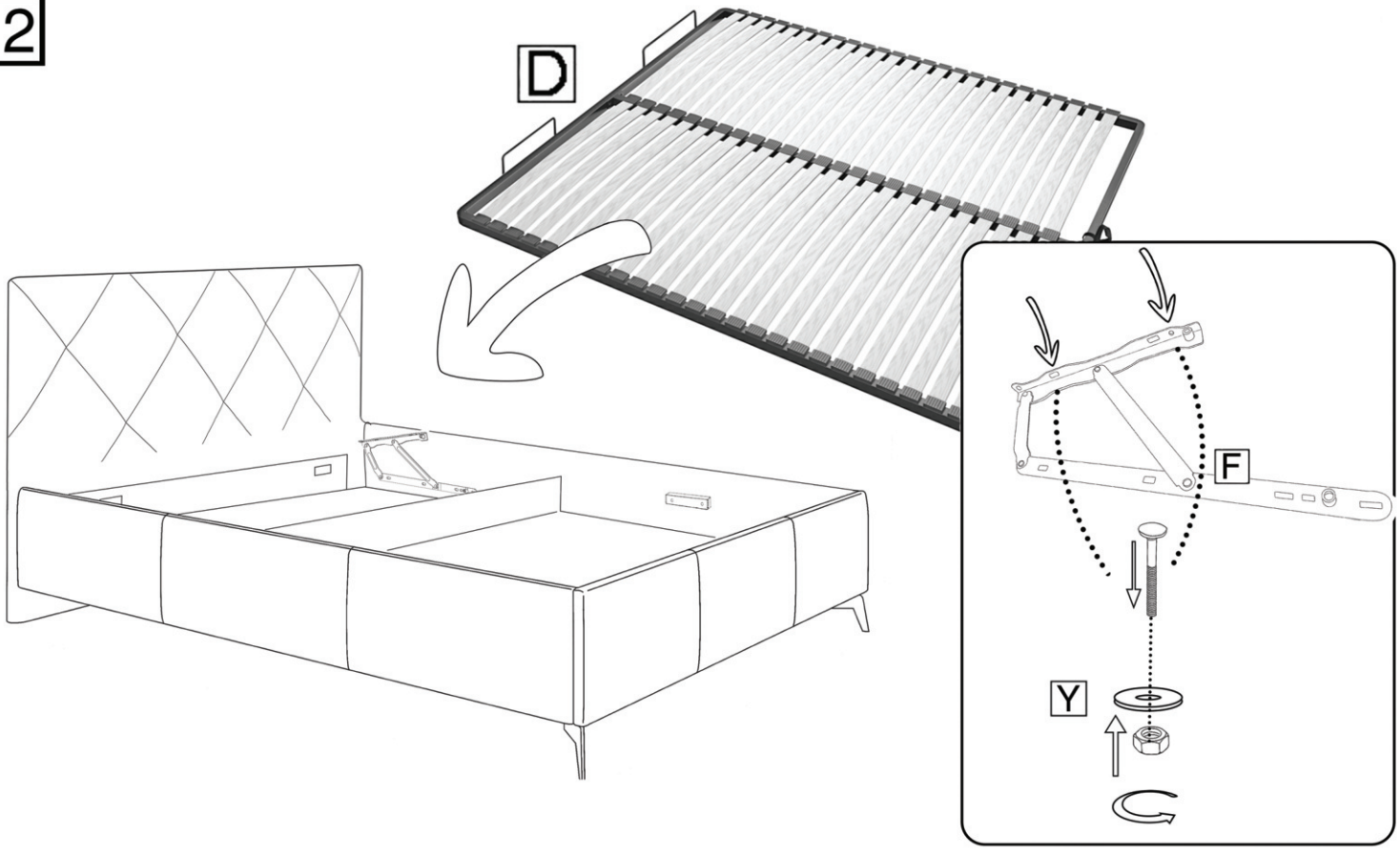
10



11



12



13

