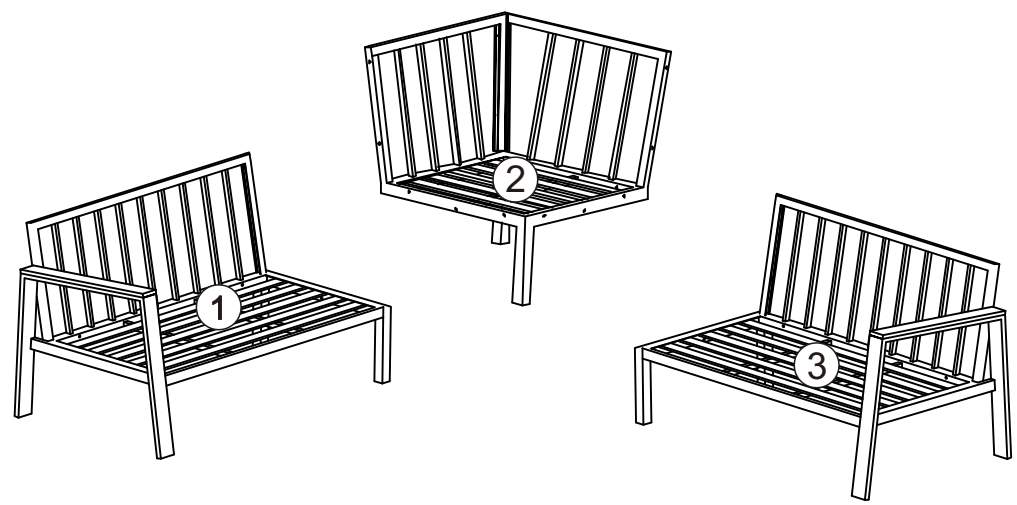
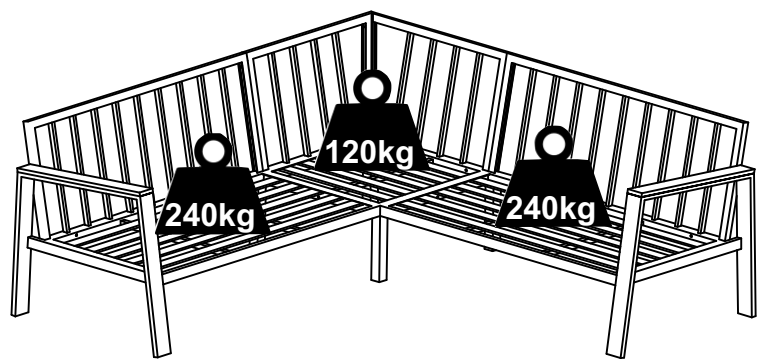


ambia. GARDEN 27550046/07

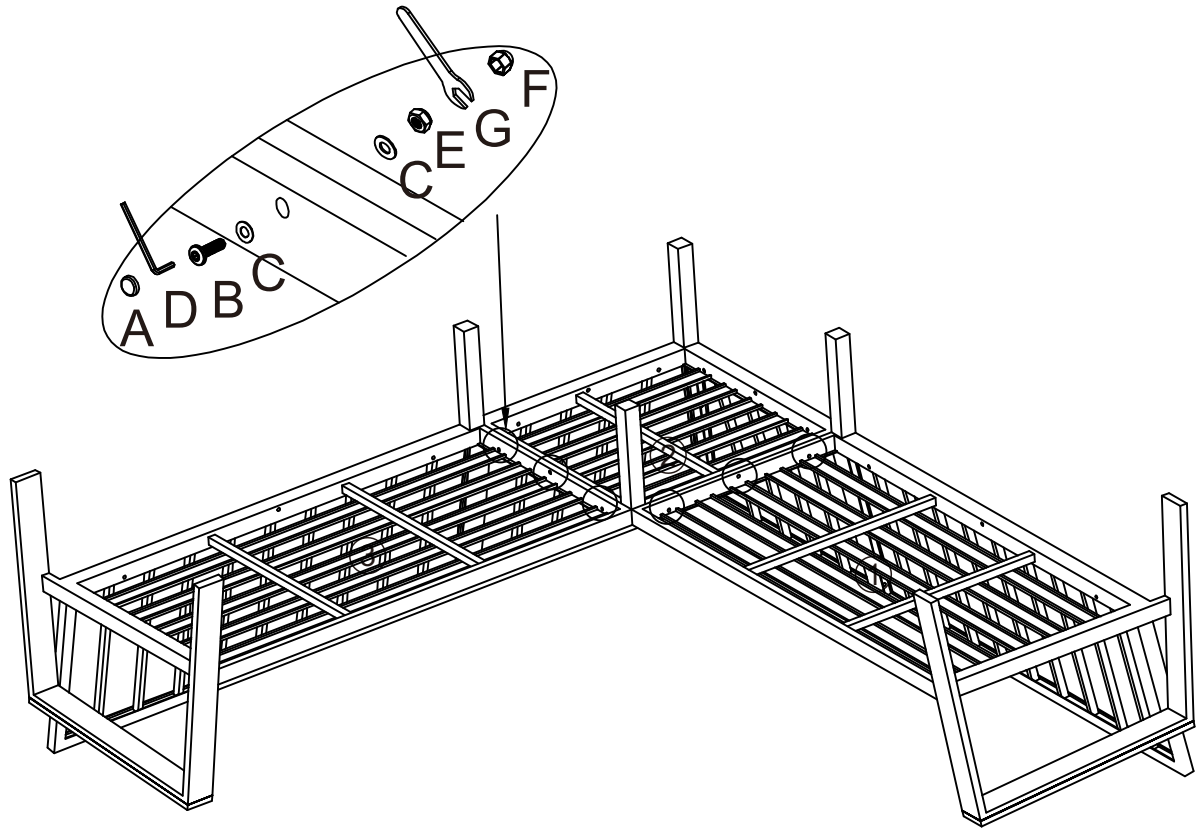


1	x1	2	x1	3	x1

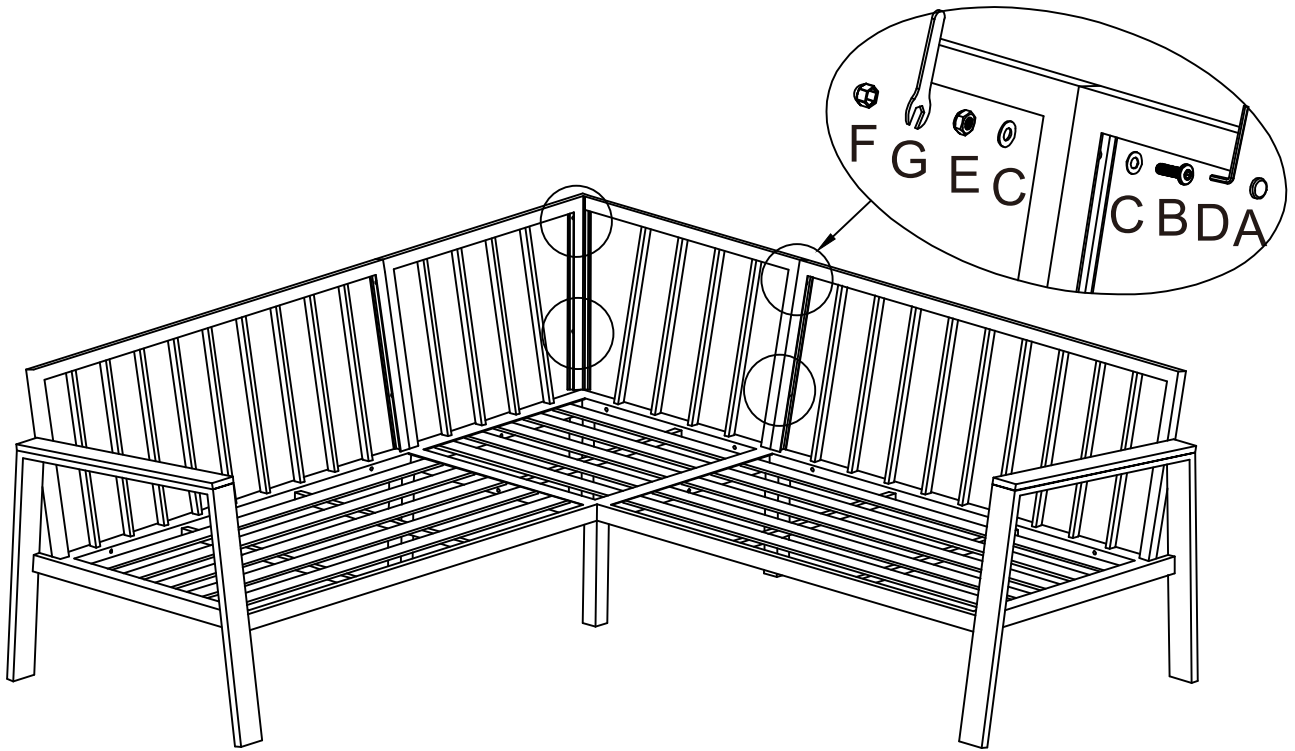
G	x1
10#	

A	x10	B	x10	C	x20	D	x1	E	x10	F	x10
Φ 14x5.1		M6x50mm		Φ14xΦ6.5x1.5		4#		S10/K7*M6		13.9*12*16	

1



2



3

