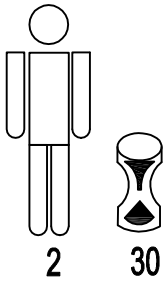
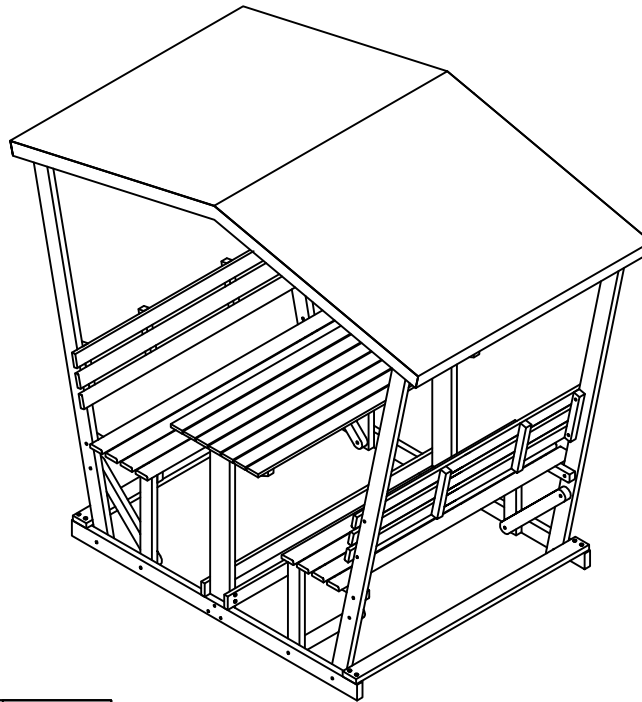


# ASSEMBLY INSTRUCTIONS

ART. NO. 20140272/01



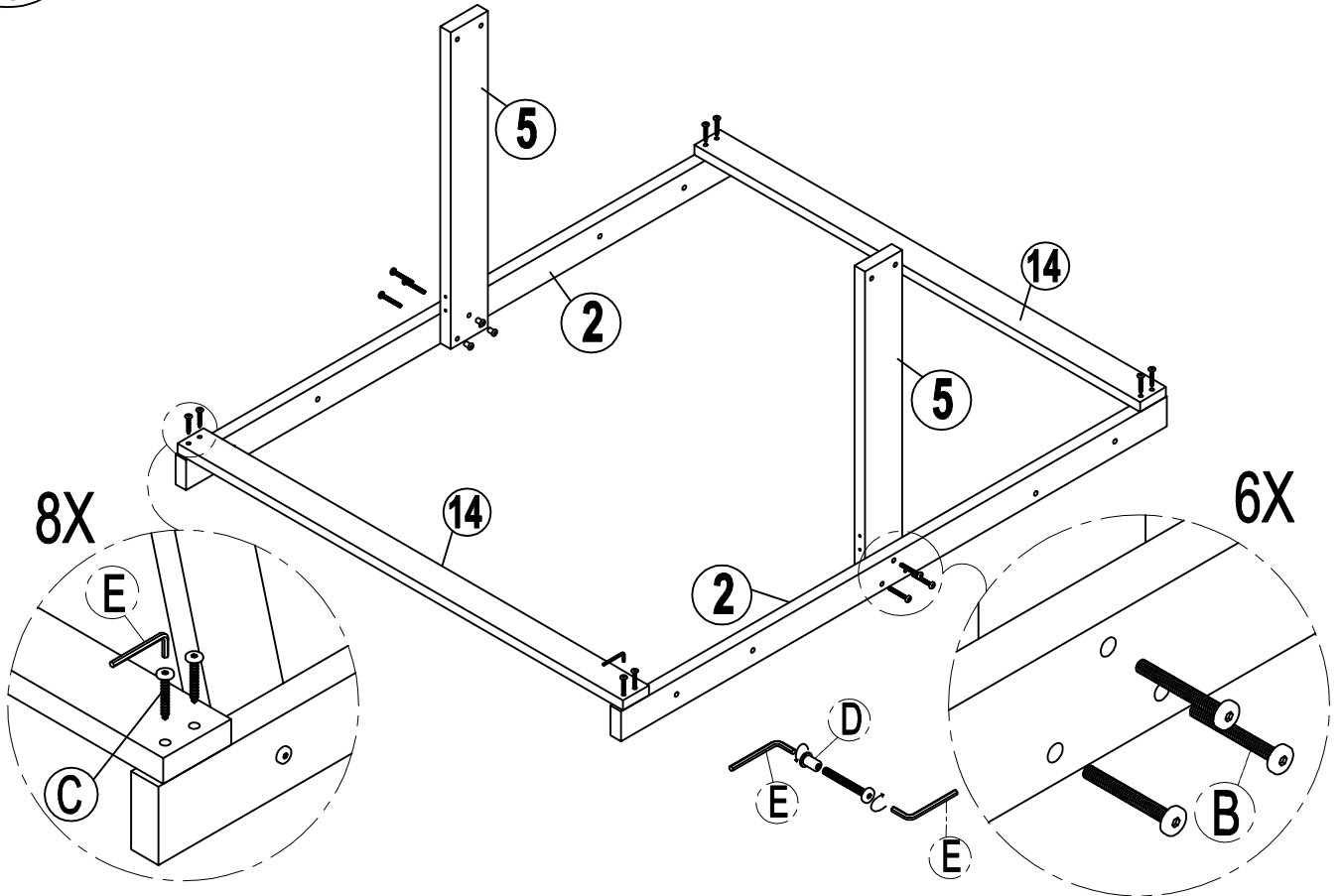
ITEM	GRAPHICS		QTY
A	BOLTS M6 x 80		08
B	BOLTS M6x50		42
C	BOLTS M6 x 40		16
D	HEXA NUT M6 x 15		40
E	ALLEN KEY		02
F	BAS		02
G	WOOD SCREW M4 x 15		04

ITEM	GRAPHICS	QTY
7		03
8		01
9		02
10		02
11		02
12		04
13		04
14		02
15		01

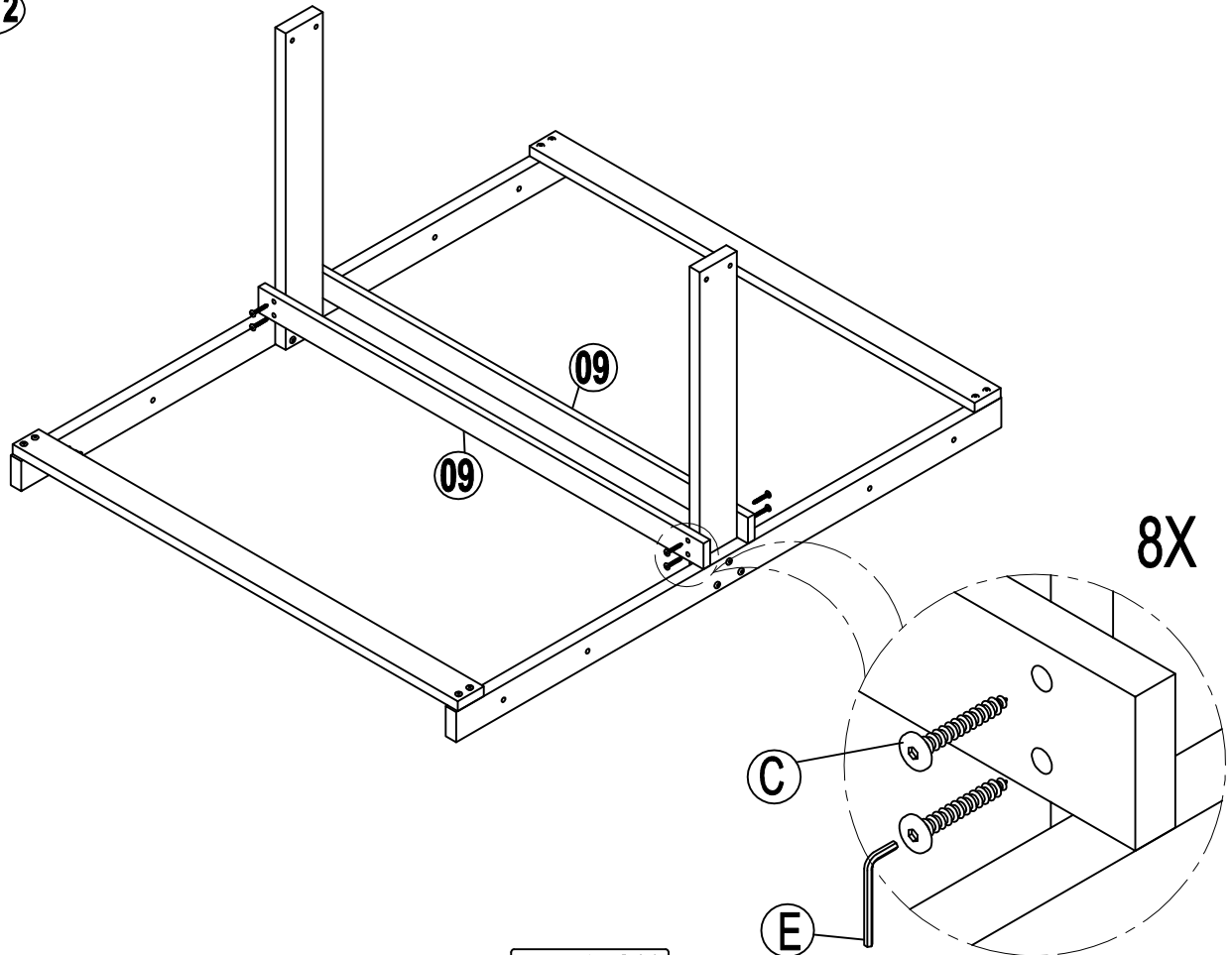
ITEM	GRAPHICS	QTY
1		04
2		02
3		02
4		02
5		02
6		02

**Step 1**

**ASSEMBLY INSTRUCTIONS**



**Step 2**

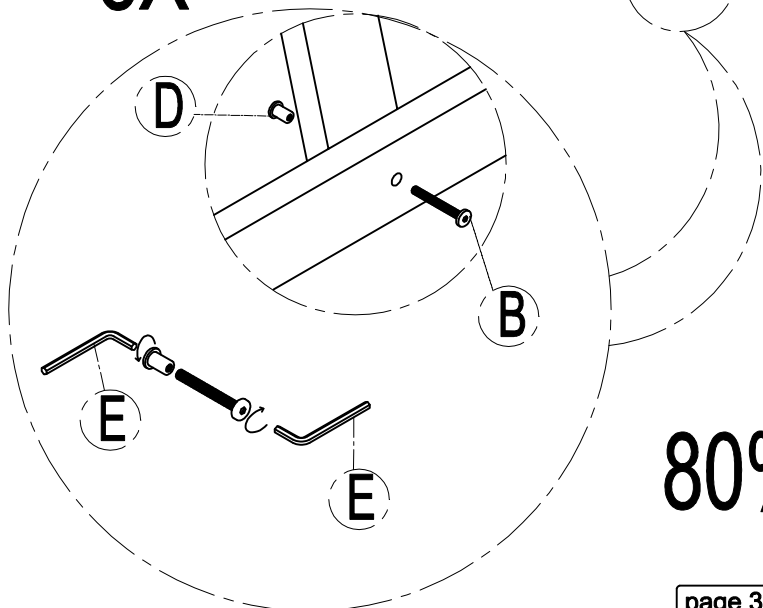


# ASSEMBLY INSTRUCTIONS

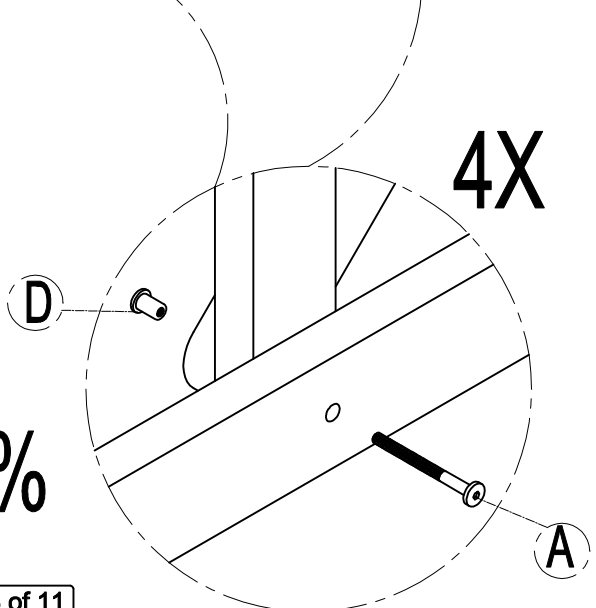
Step 3



8X



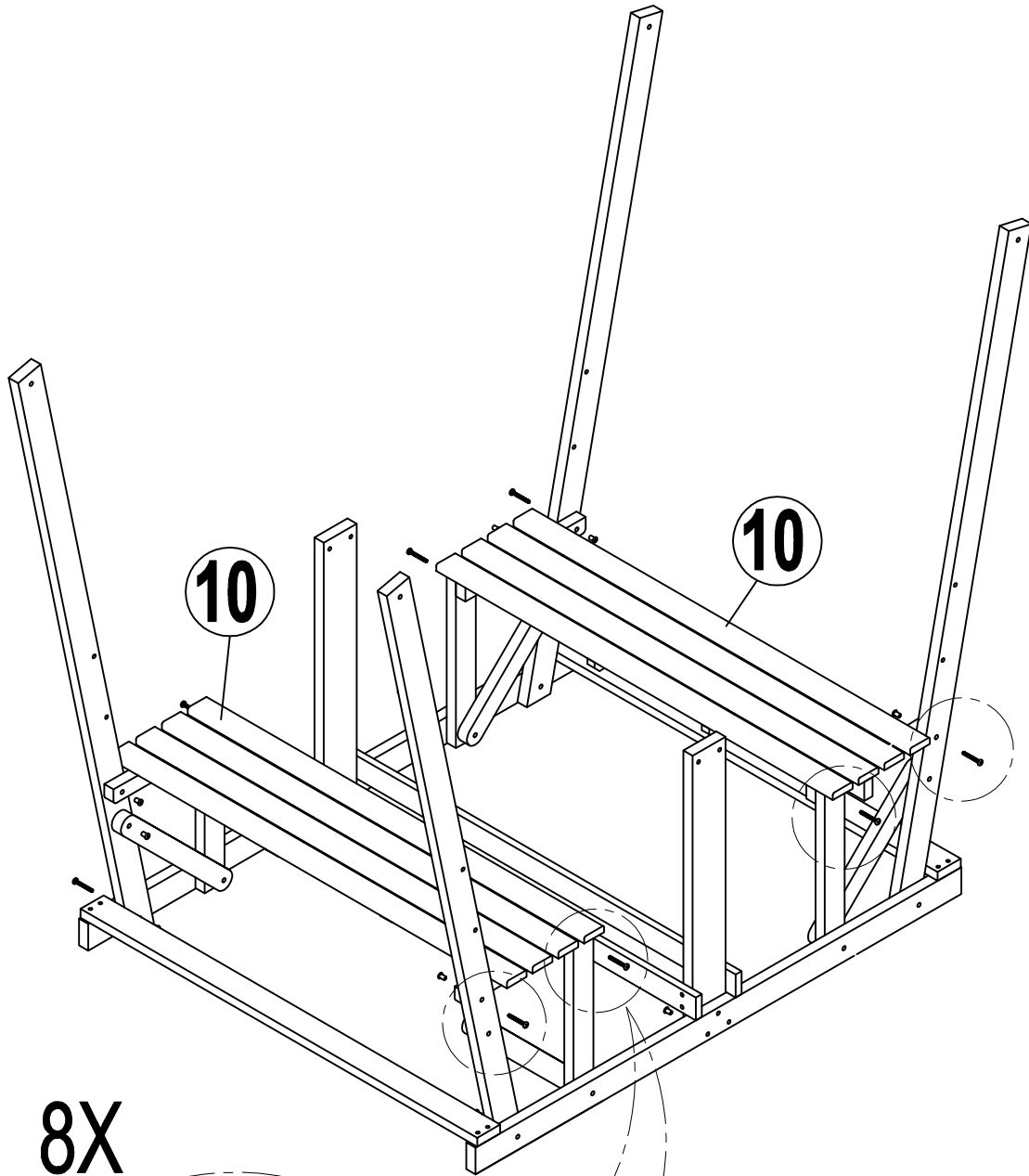
4X



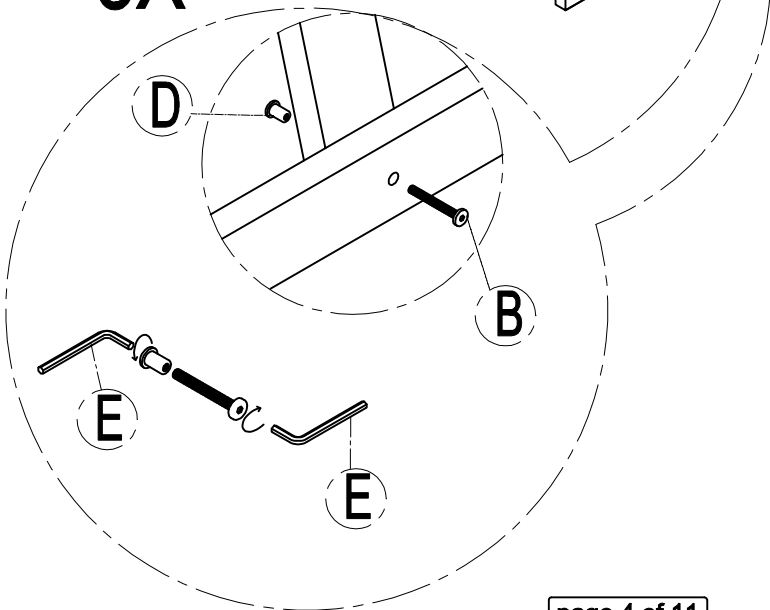
80%

**Step 4**

**ASSEMBLY INSTRUCTIONS**

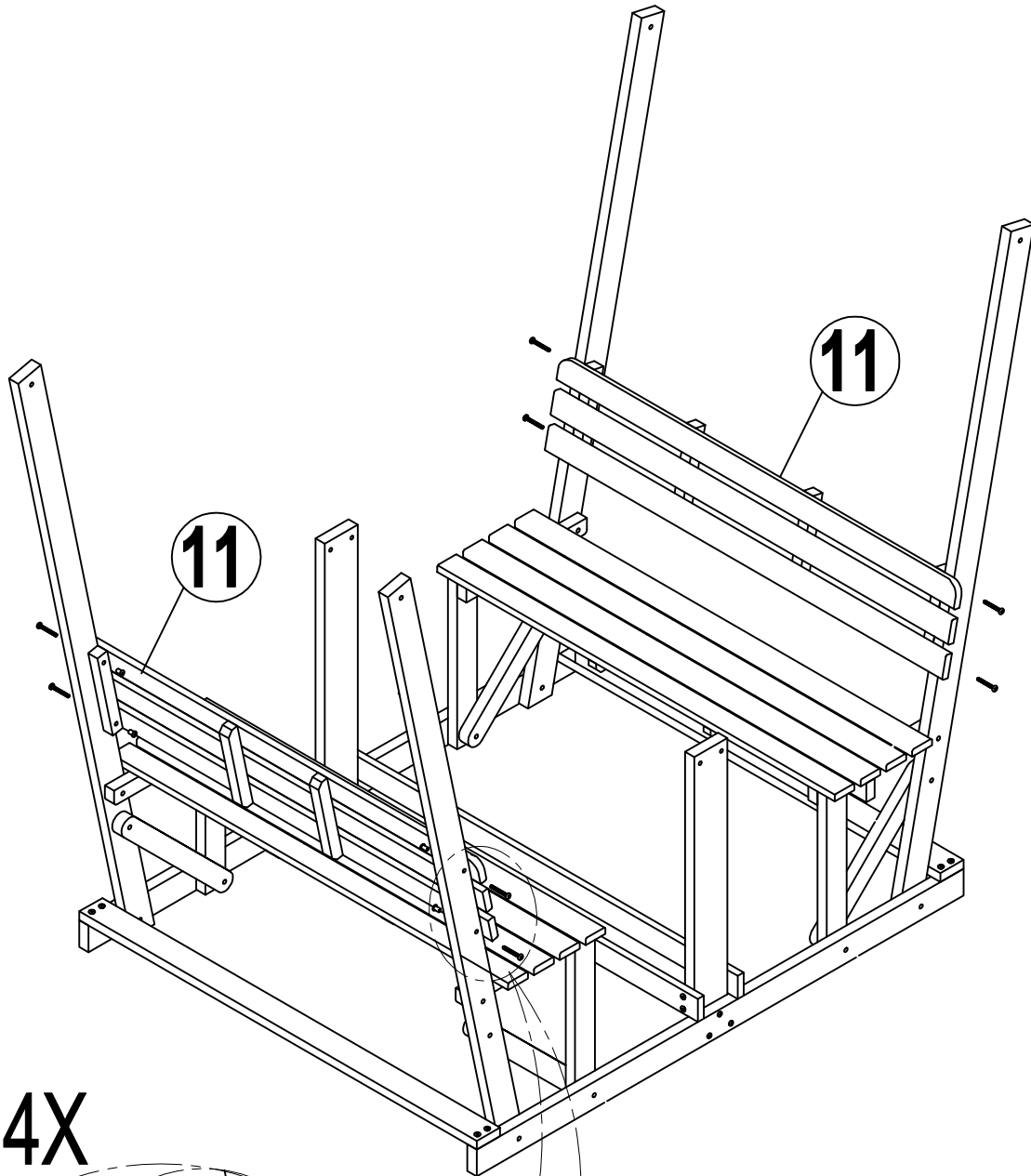


**8X**

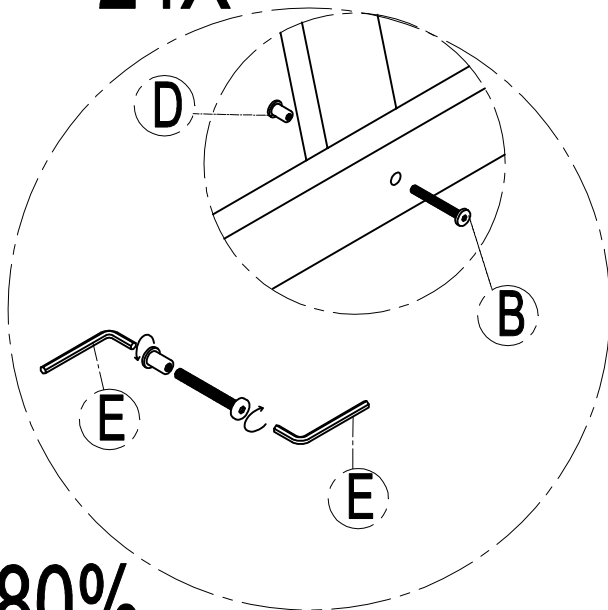


**Step 5**

**ASSEMBLY INSTRUCTIONS**



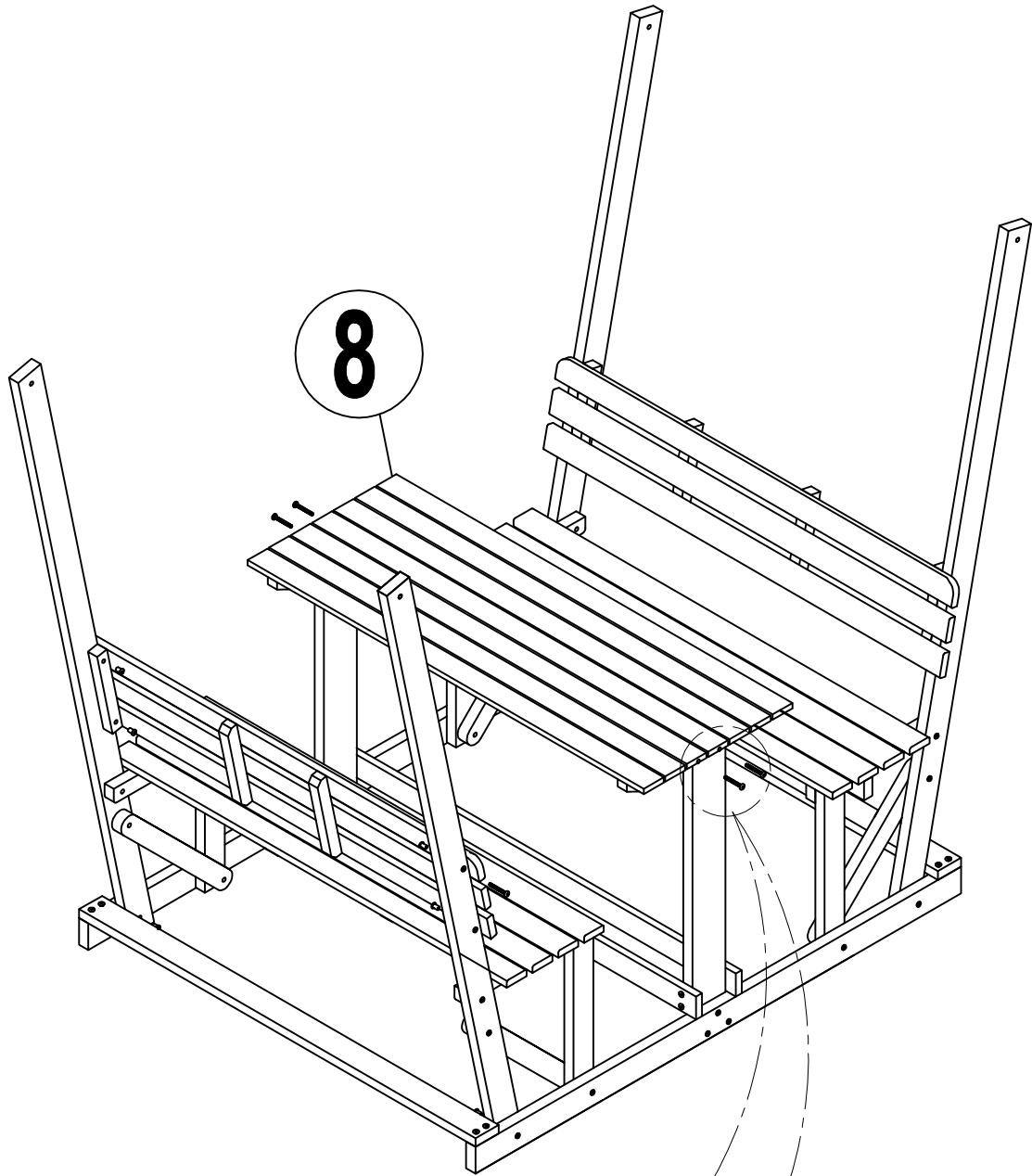
**24X**



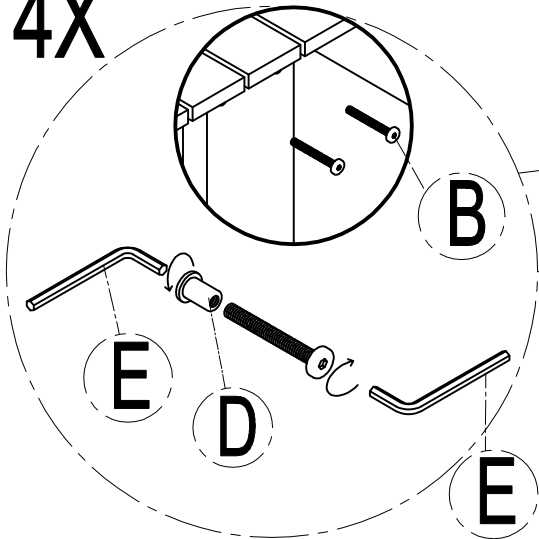
**80%**

**Step 6**

**ASSEMBLY INSTRUCTIONS**

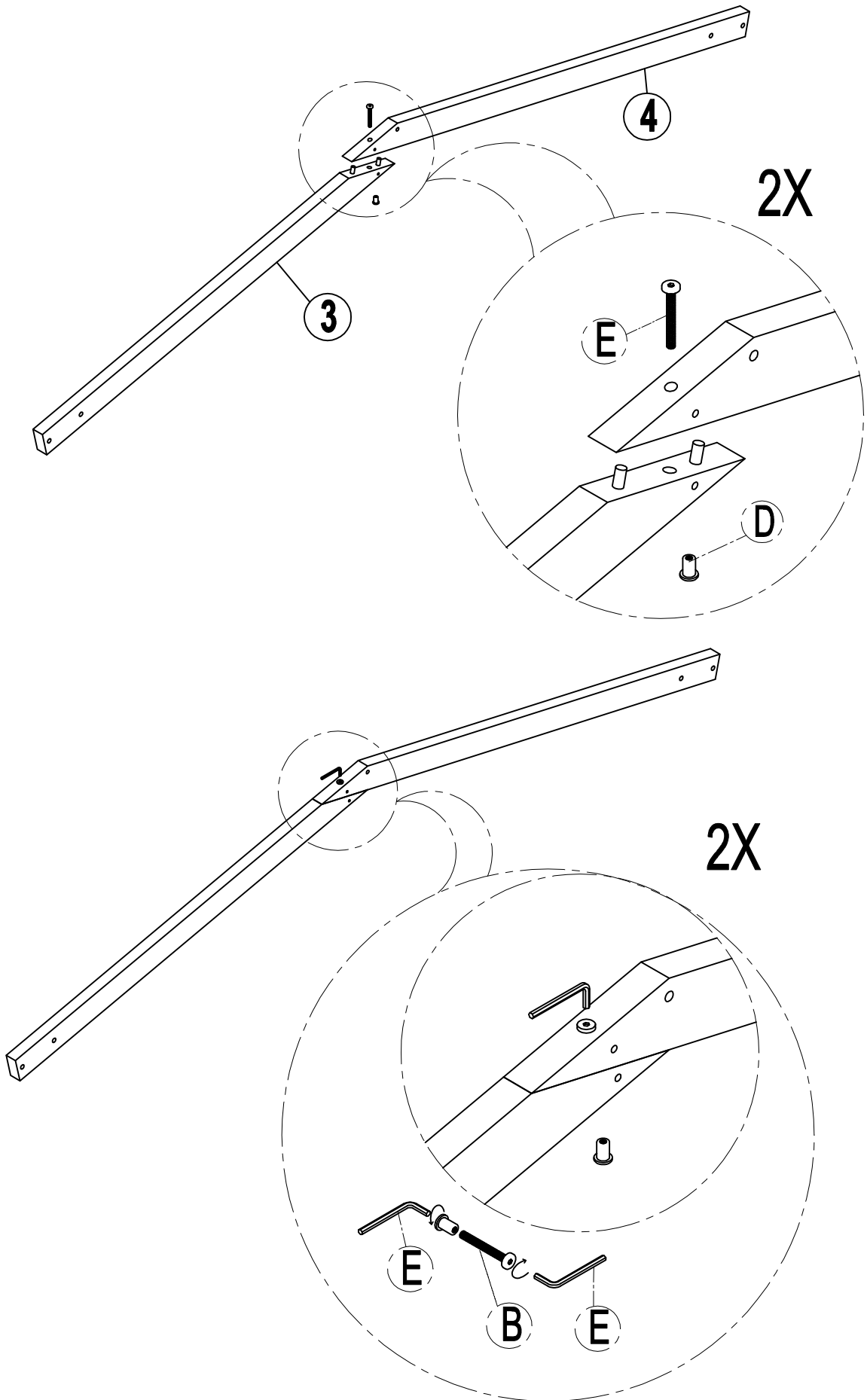


**4X**



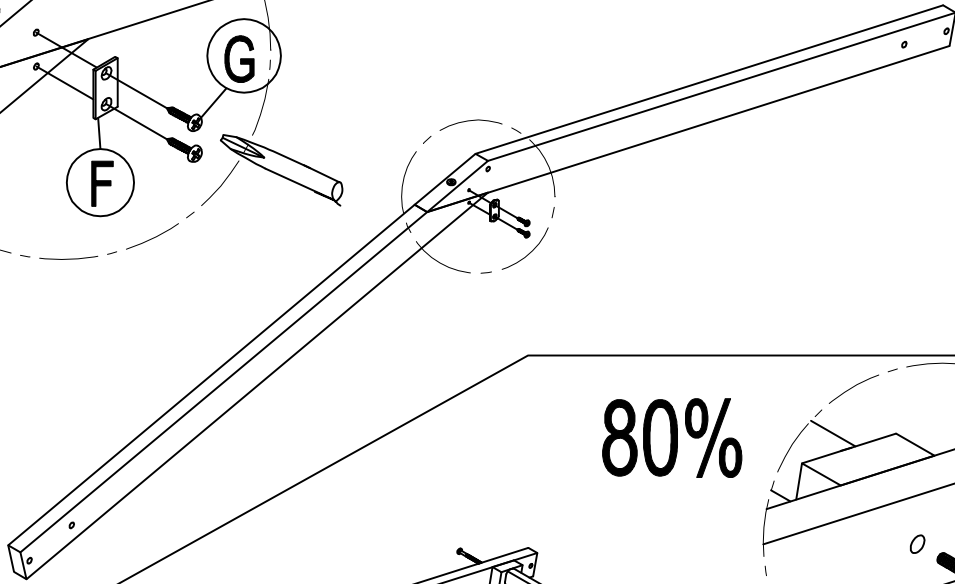
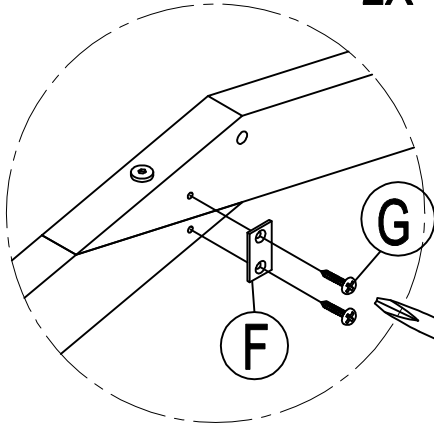
**Step 7**

**ASSEMBLY INSTRUCTIONS**

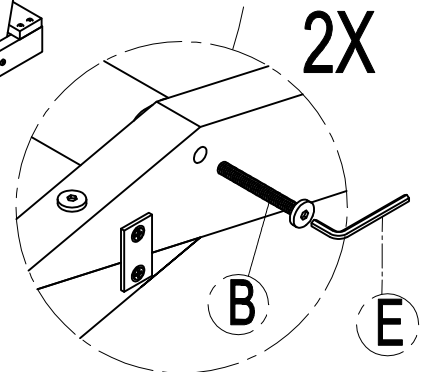
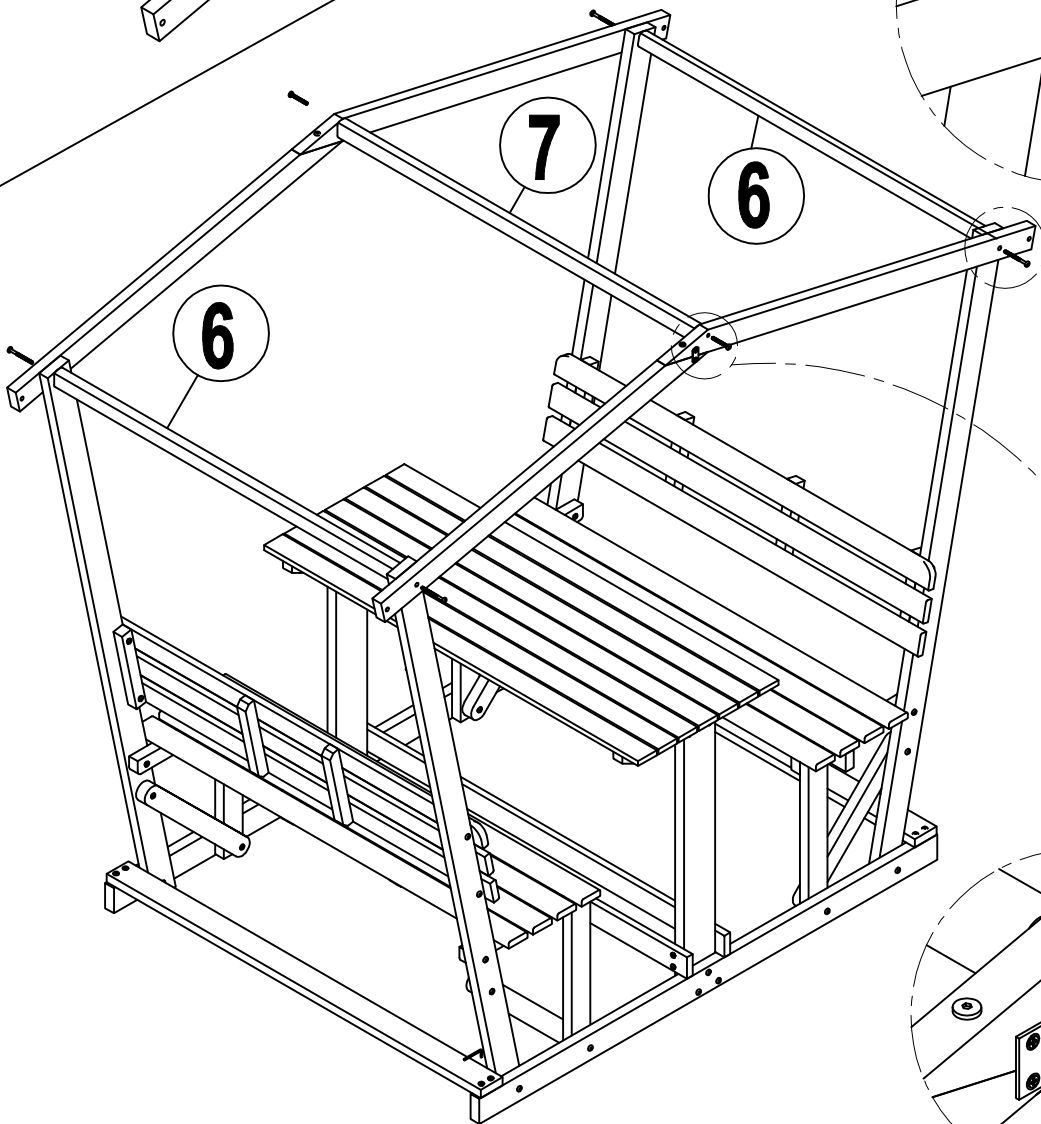
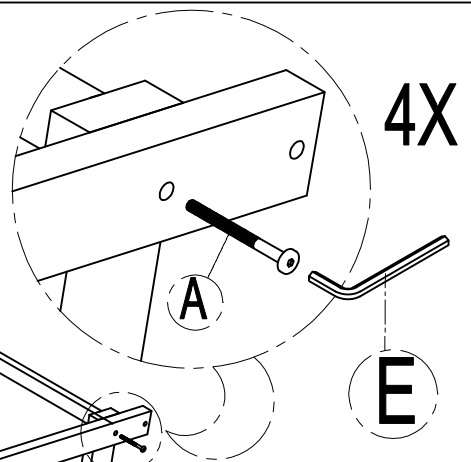


**Step 8**

**2X ASSEMBLY INSTRUCTIONS**

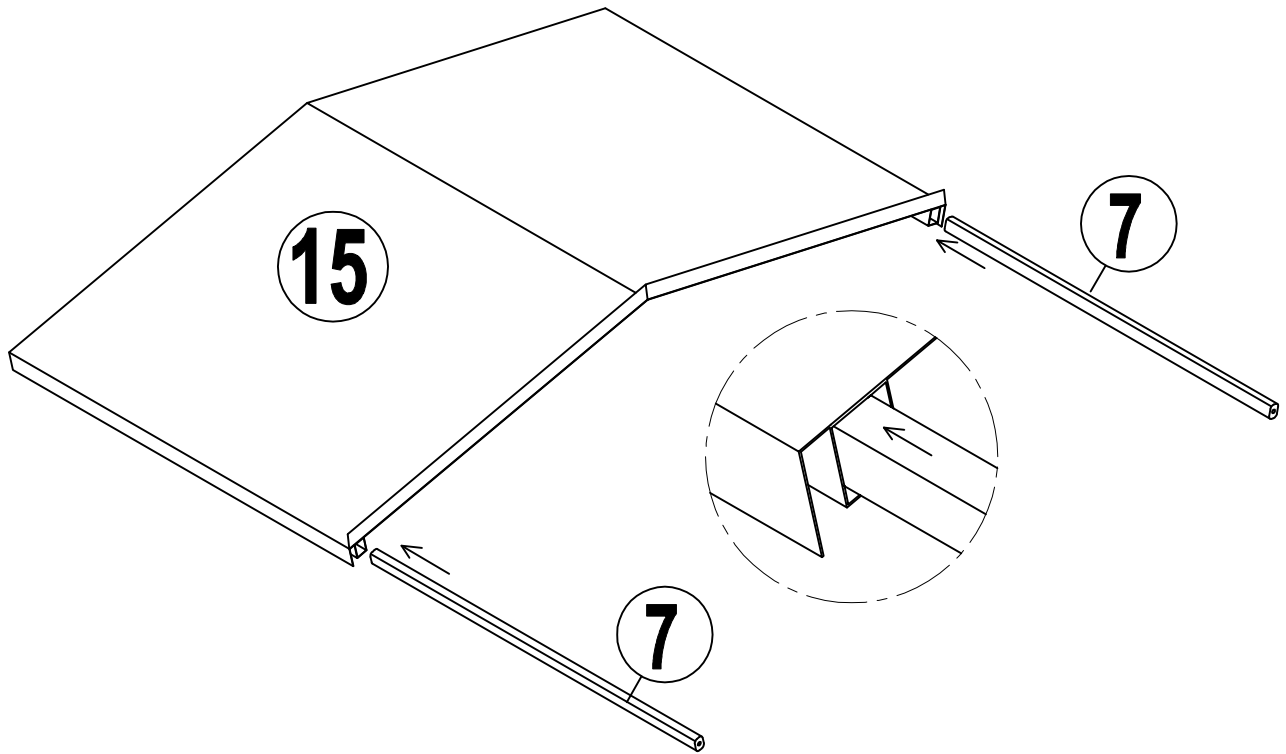


**80%**

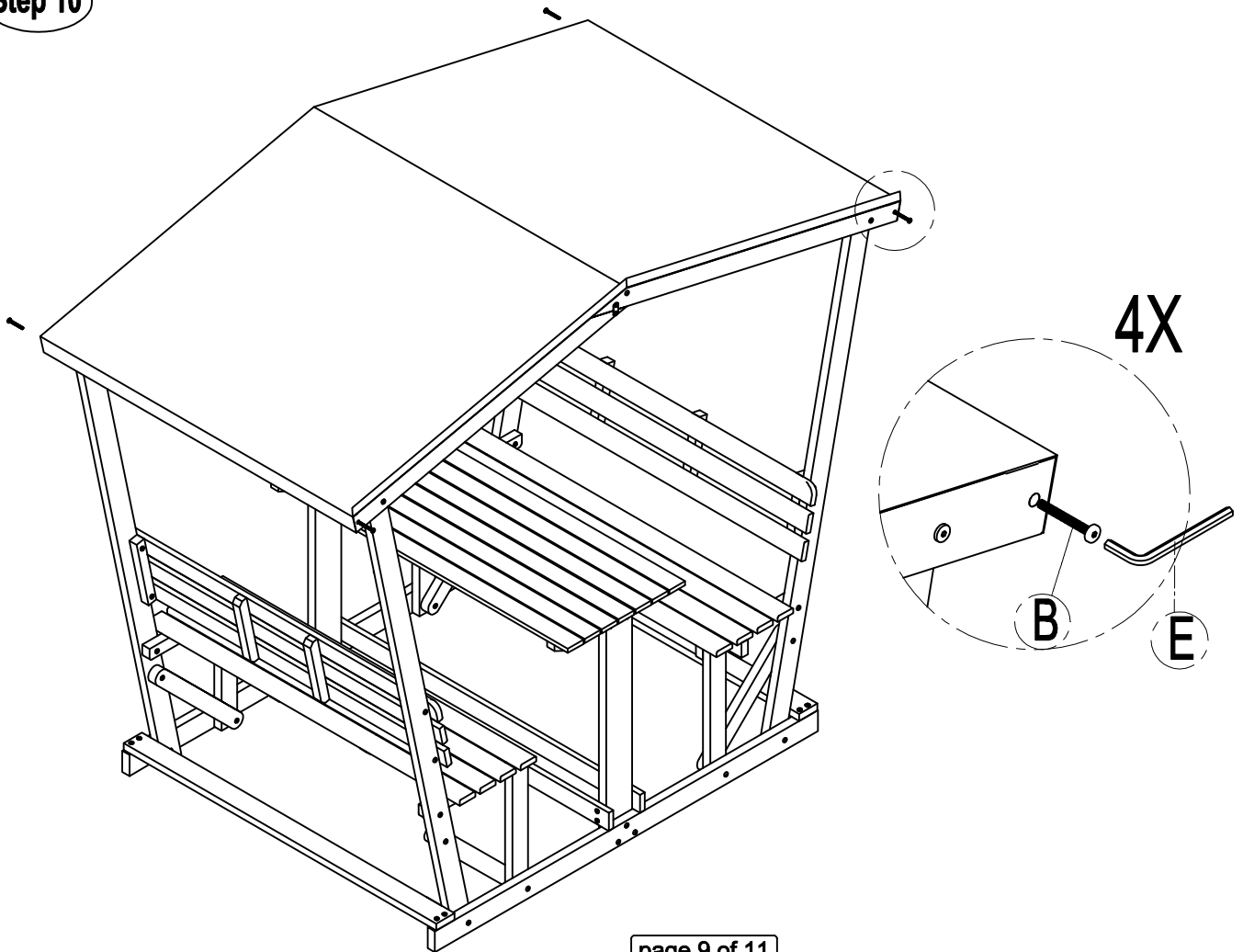


**Step 9**

**ASSEMBLY INSTRUCTIONS**

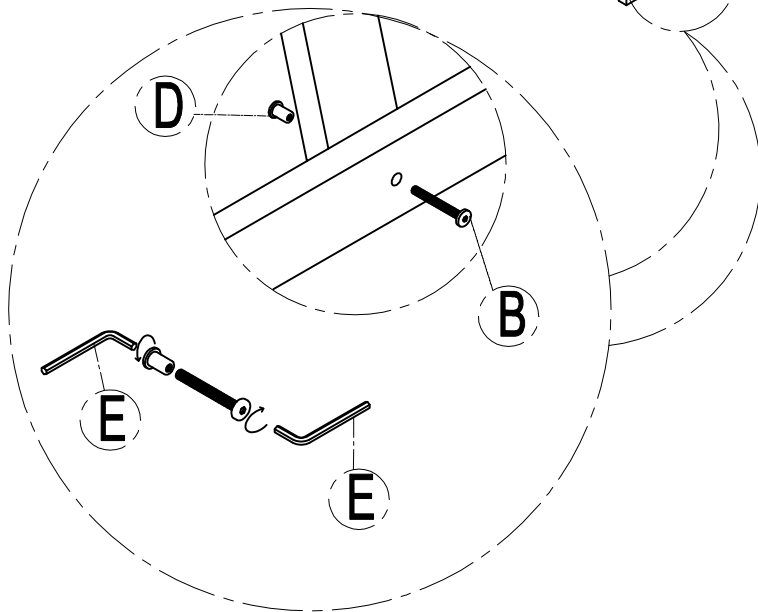
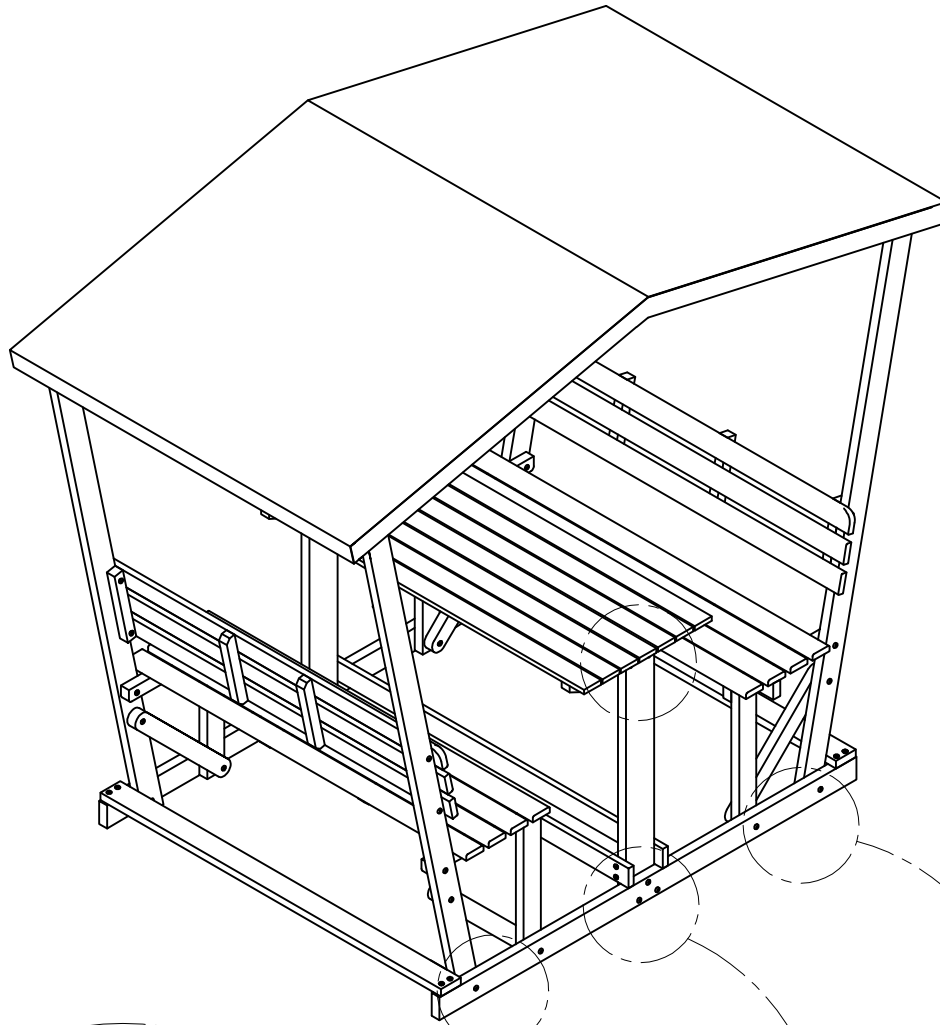


**Step 10**

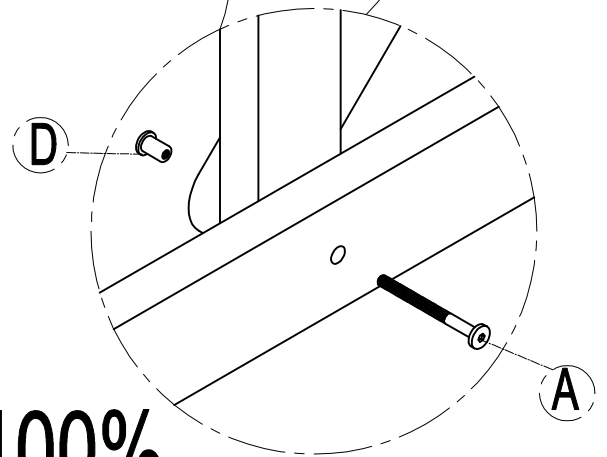


**Step 11**

**ASSEMBLY INSTRUCTIONS**



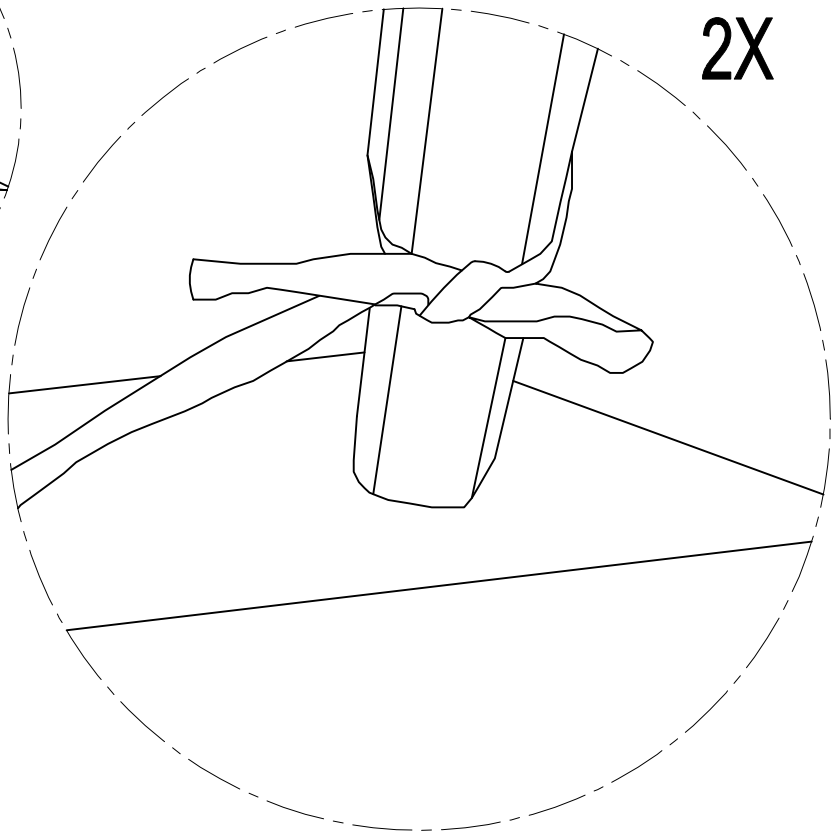
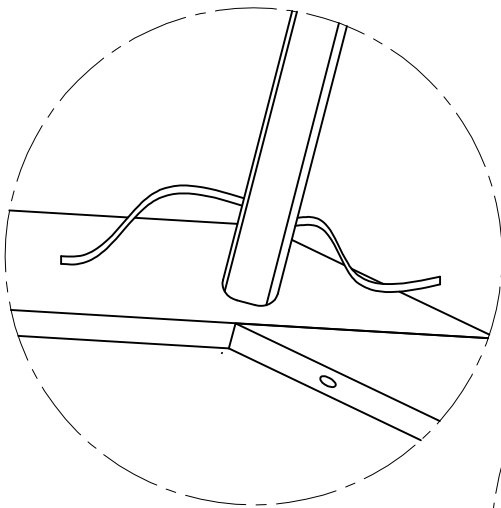
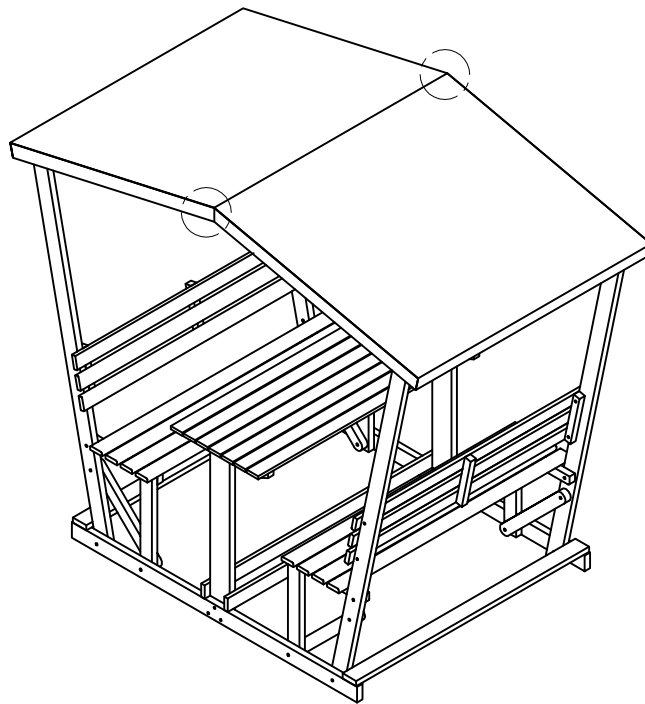
**100%**



**100%**

**Step 12**

**ASSEMBLY INSTRUCTIONS**



**2X**