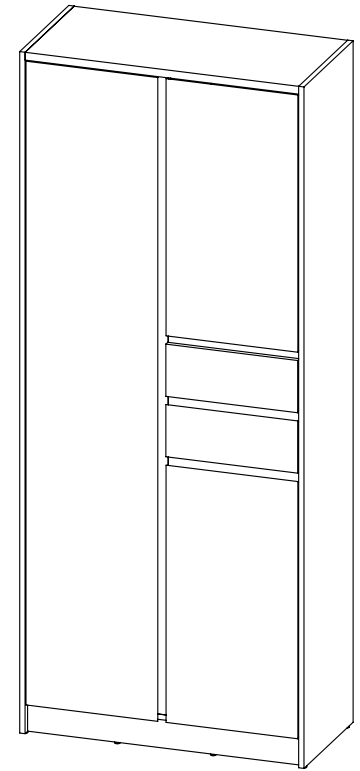
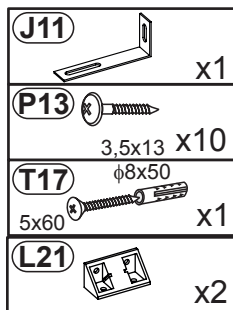
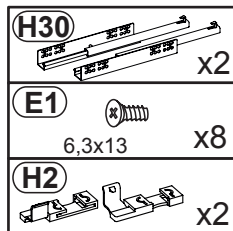
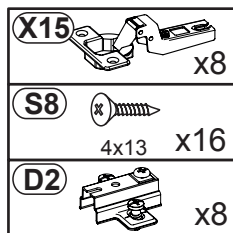
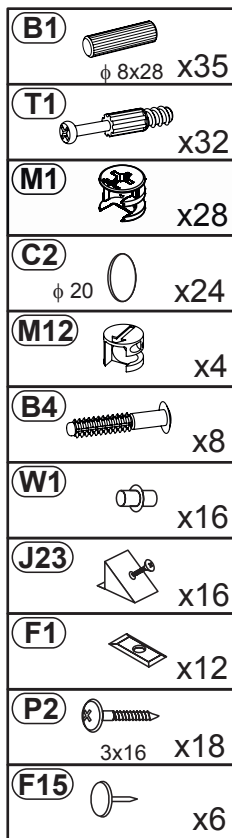


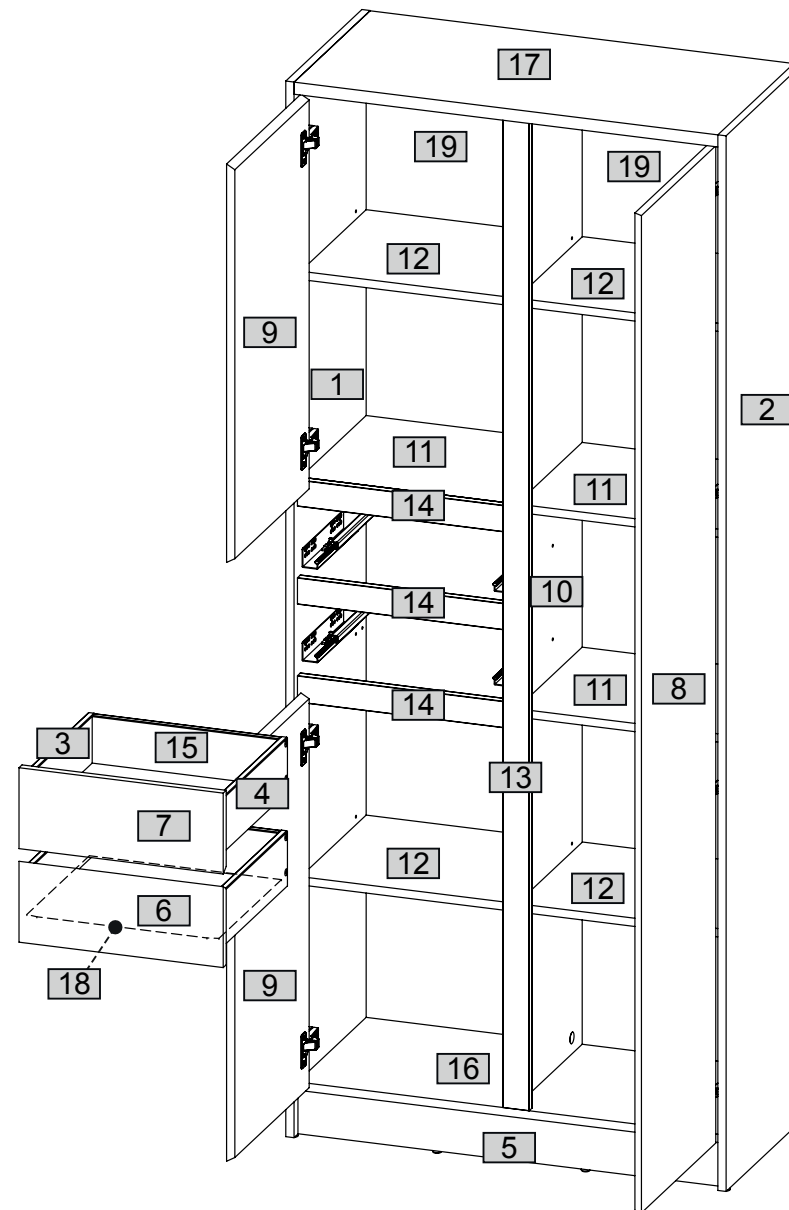
L



R



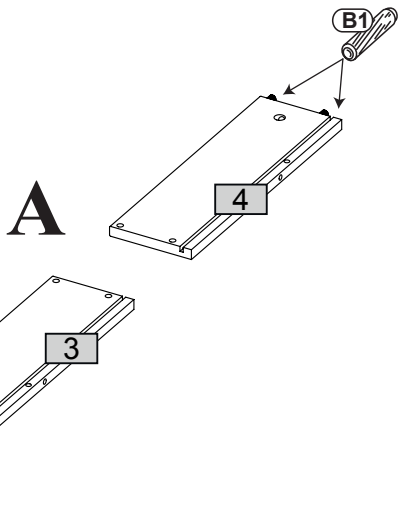
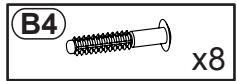
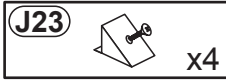
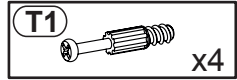
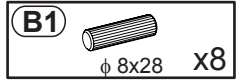
| Nr | Ausmaß |     | St | Colli |
|----|--------|-----|----|-------|
| 1  | 1918   | 380 | 15 | 1     |
| 2  | 1918   | 380 | 15 | 1     |
| 3  | 318    | 100 | 12 | 2     |
| 4  | 318    | 100 | 12 | 2     |
| 5  | 770    | 80  | 15 | 1     |
| 6  | 371    | 147 | 15 | 2     |
| 7  | 371    | 147 | 15 | 2     |
| 8  | 1812   | 371 | 15 | 2     |
| 9  | 724    | 371 | 15 | 2     |
| 10 | 1800   | 328 | 15 | 2     |
| 11 | 377,5  | 327 | 15 | 3     |
| 12 | 377    | 327 | 15 | 4     |
| 13 | 1800   | 48  | 15 | 2     |
| 14 | 373    | 48  | 15 | 3     |
| 15 | 338    | 100 | 12 | 2     |
| 16 | 770    | 363 | 15 | 1     |
| 17 | 770    | 379 | 22 | 1     |
| 18 | 349    | 317 | 2  | 2     |
| 19 | 1814   | 391 | 2  | 2     |



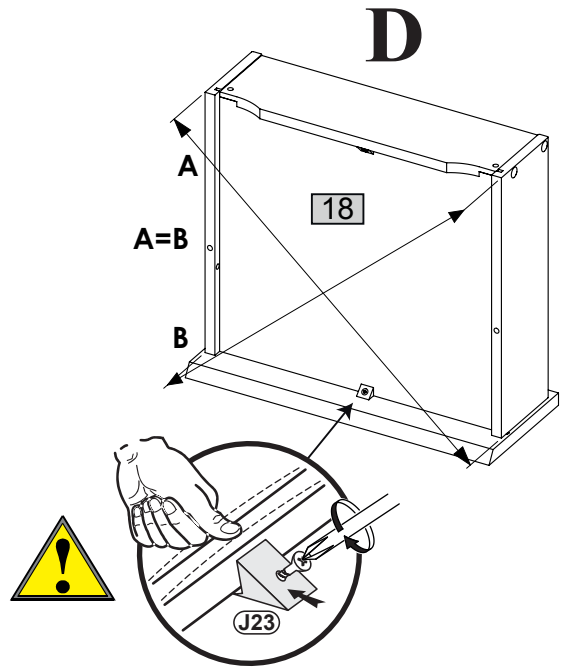
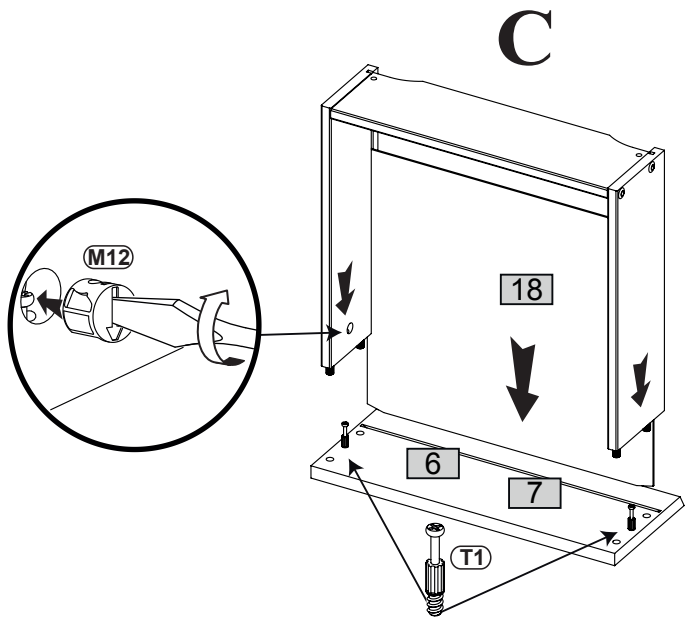
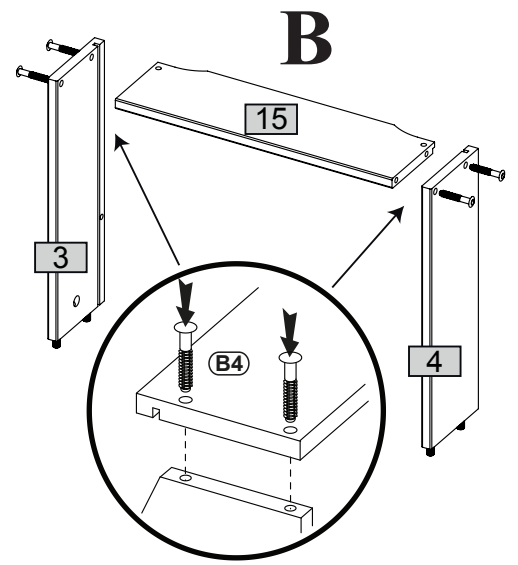
0 10 20 30 40 50 60 70 80 90 100 110 120 130 140 150 160 170 180 190 200



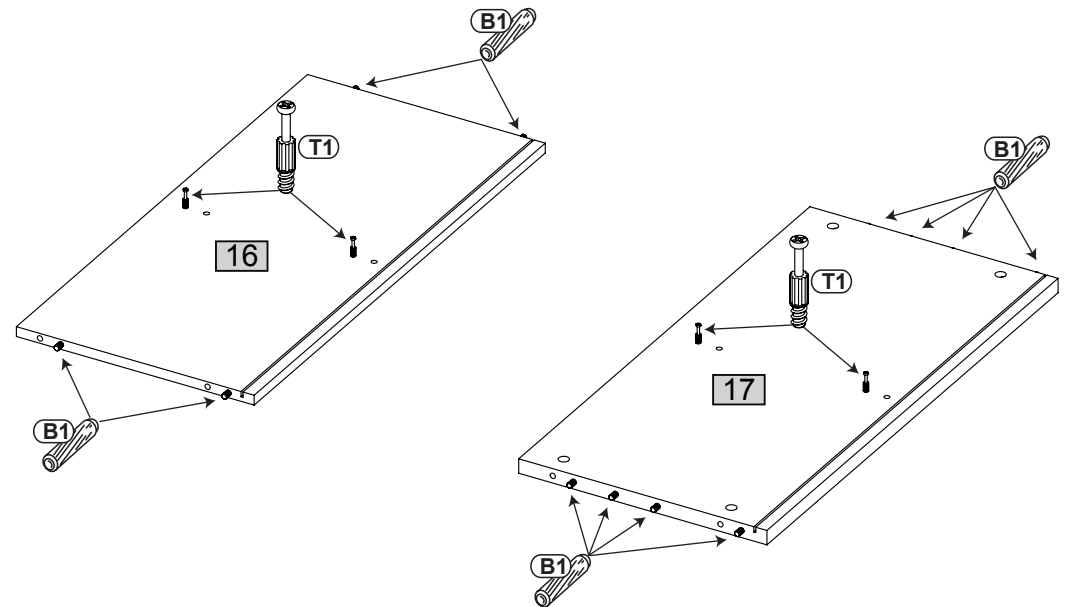
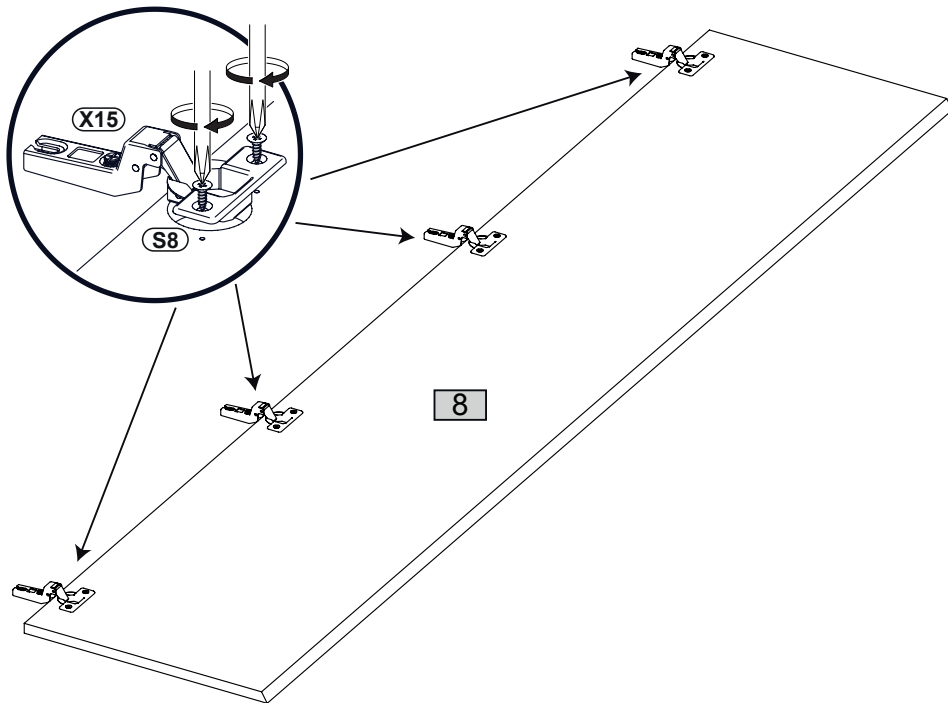
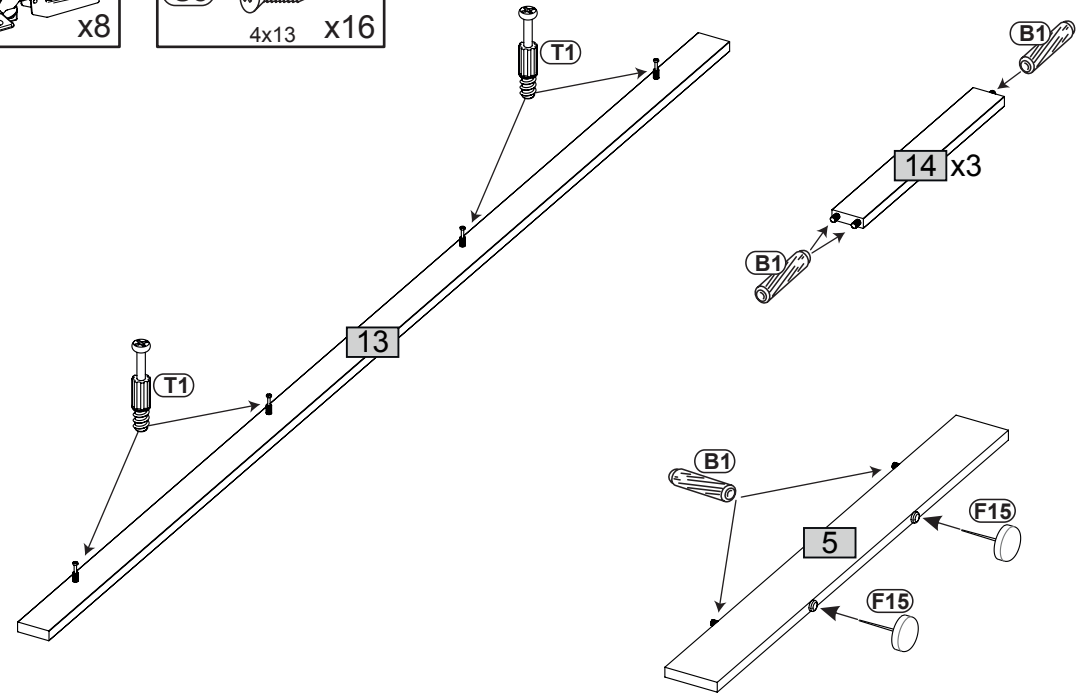
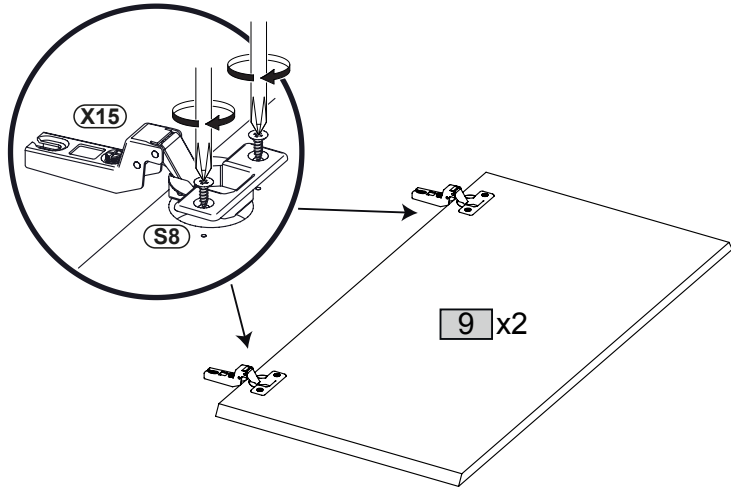
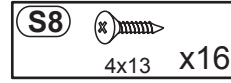
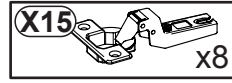
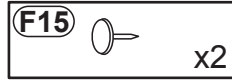
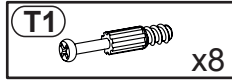
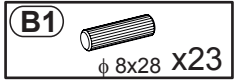
1



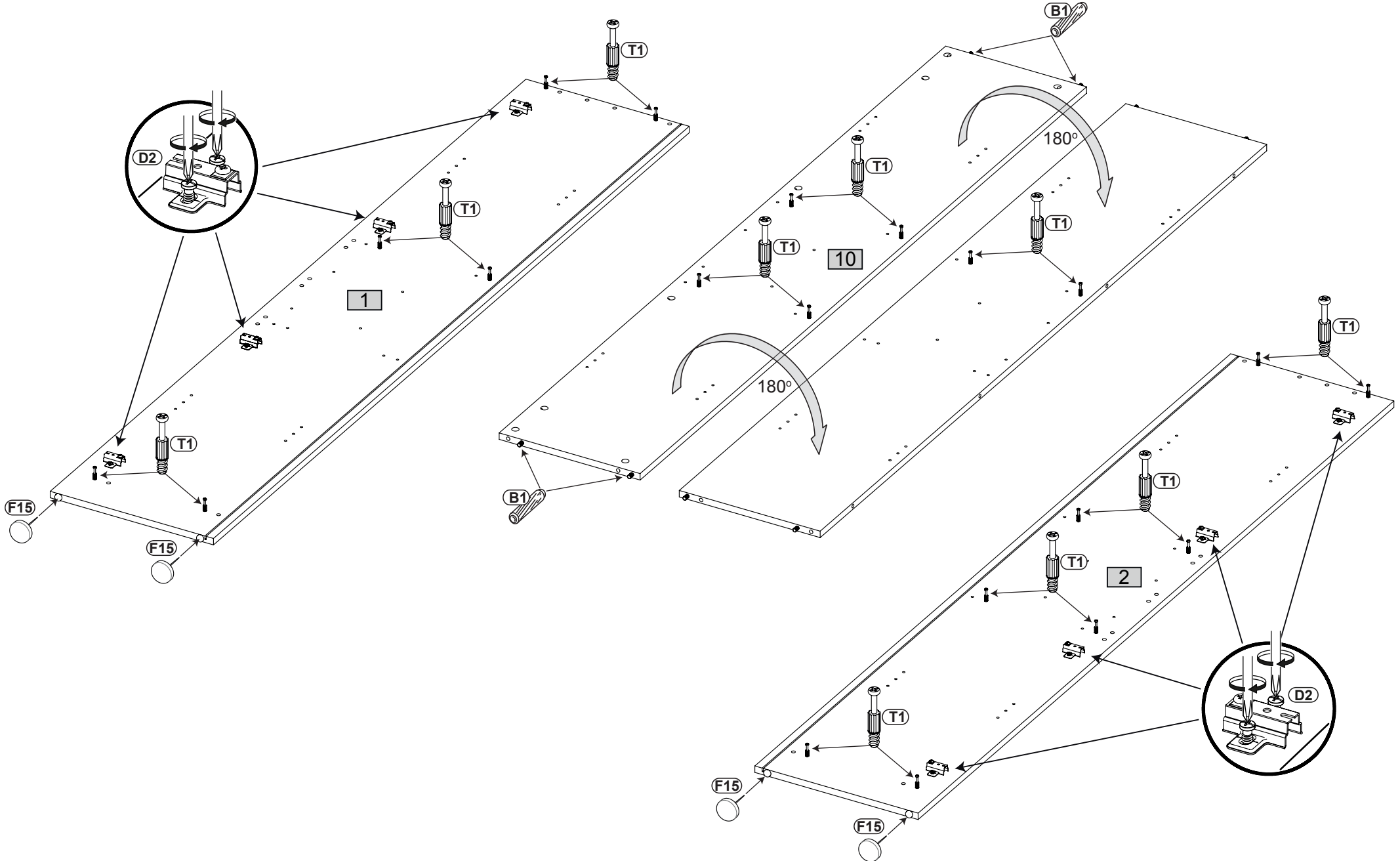
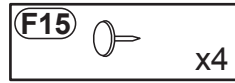
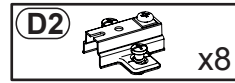
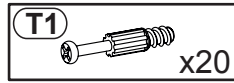
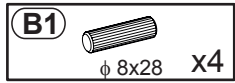
x2



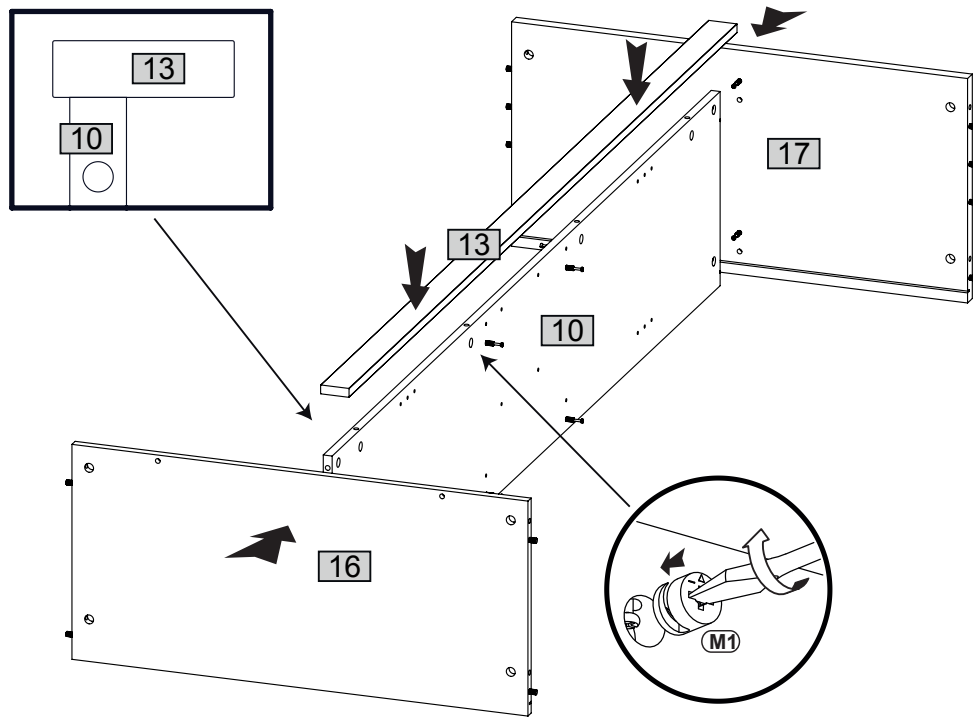
2




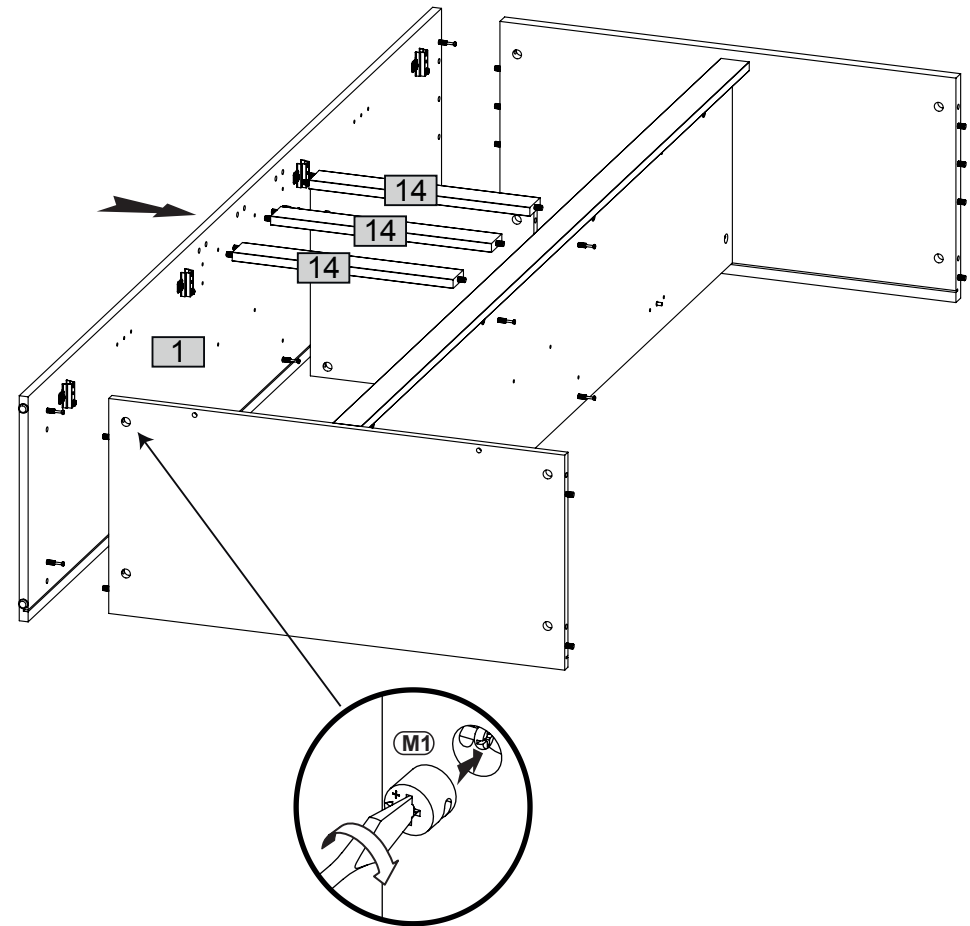
3L



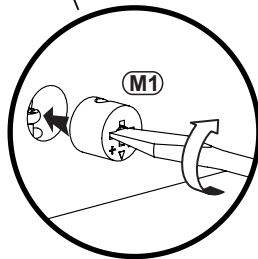
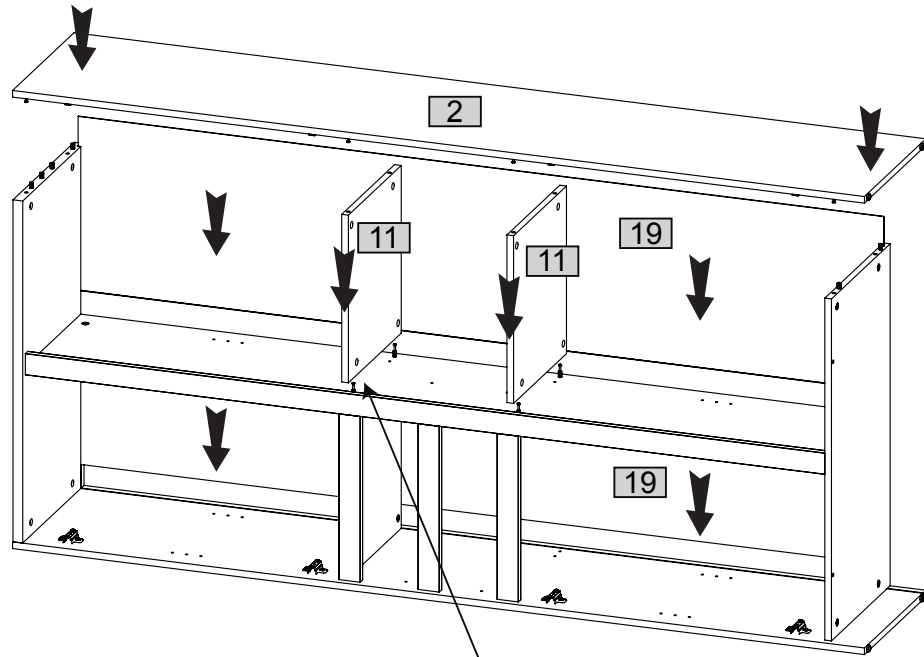
**4L** **M1**  x8






**5L** **M1**  x8


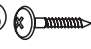


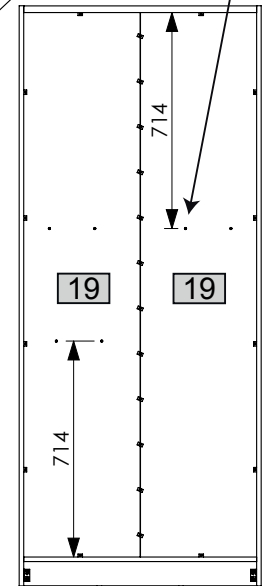
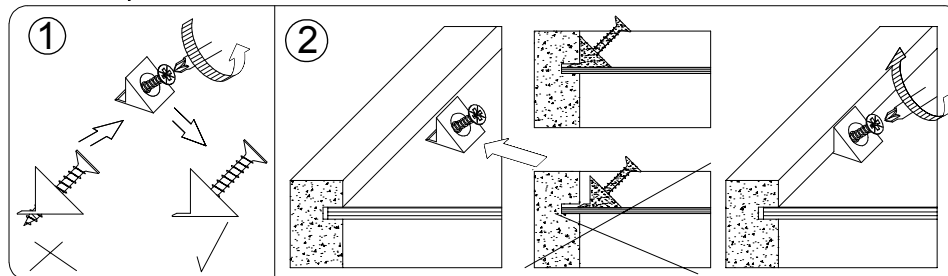
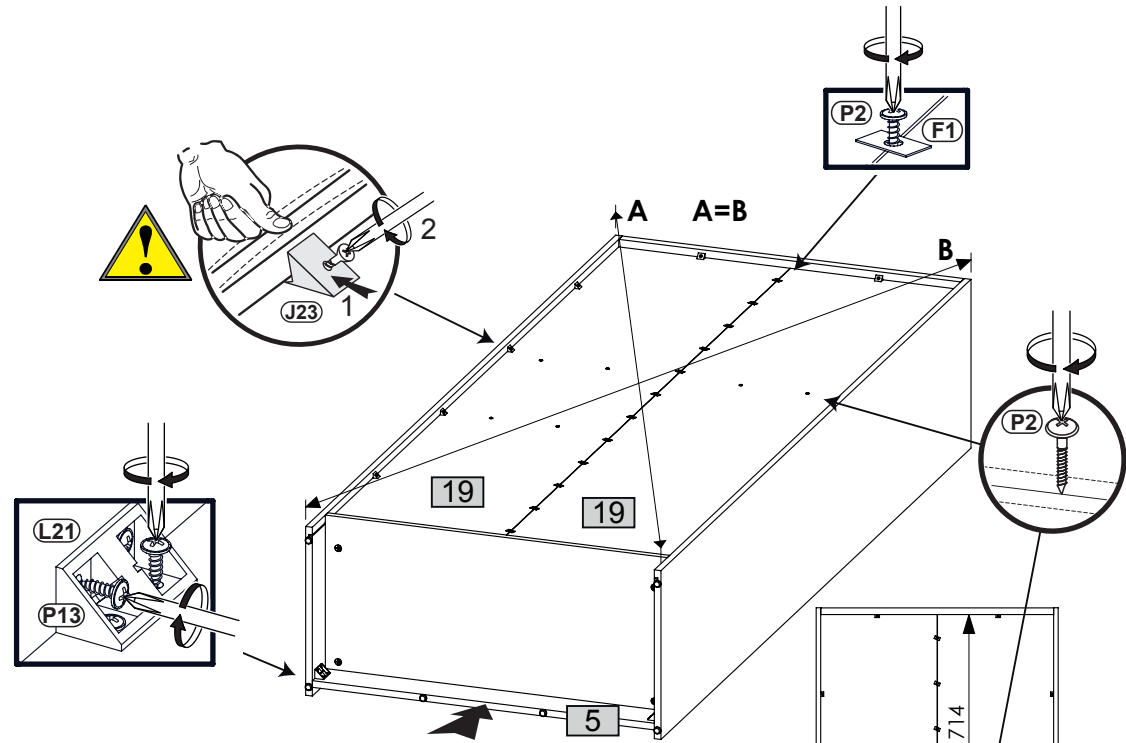
**6L** **(M1)**  x12



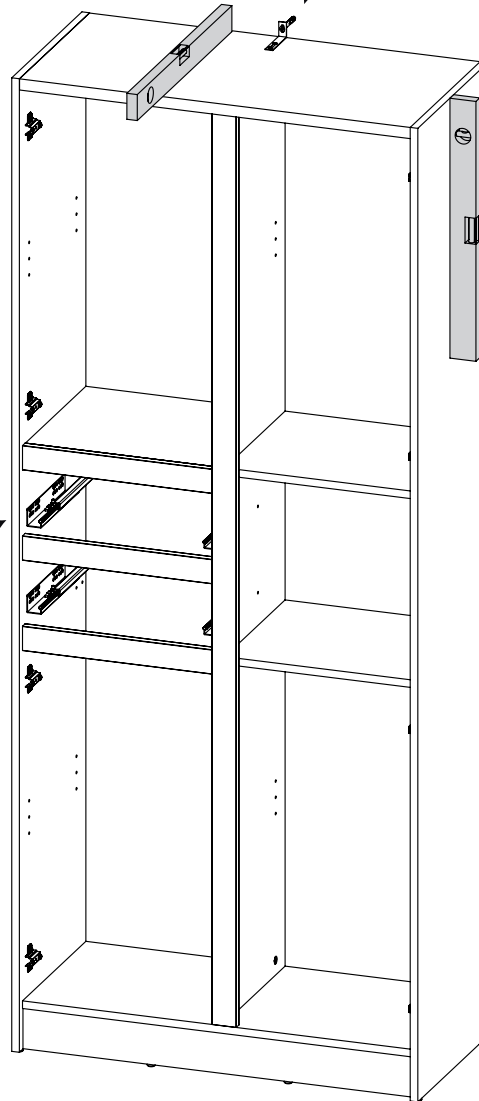
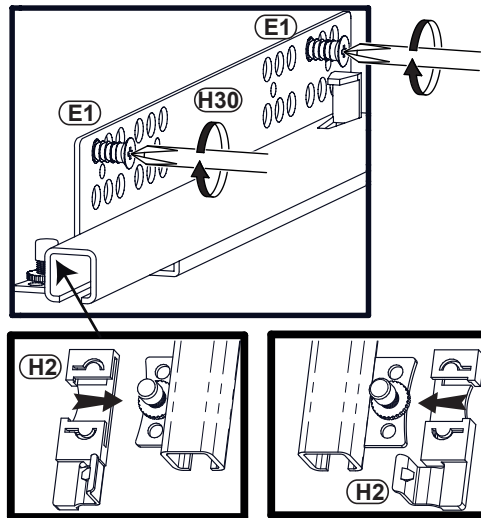
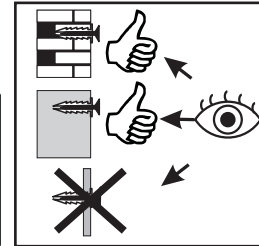
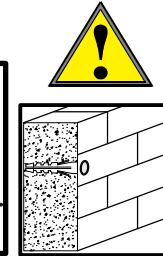
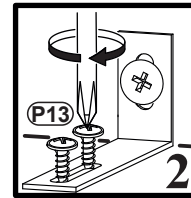
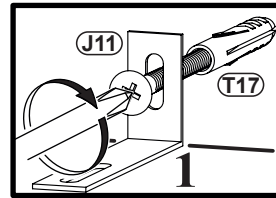
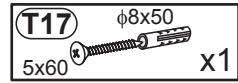
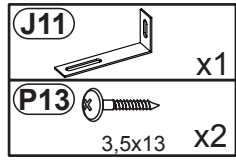
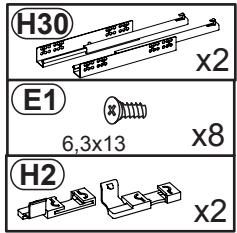
**7L** **(F1)**  x12  
**(P2)**  3x16 x18

**(J23)**  x12

**(L21)**  x2  
**(P13)**  3,5x13 x8



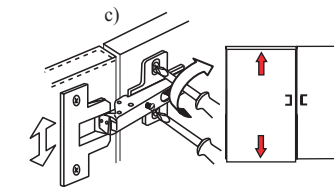
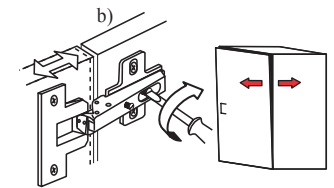
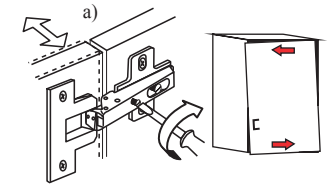
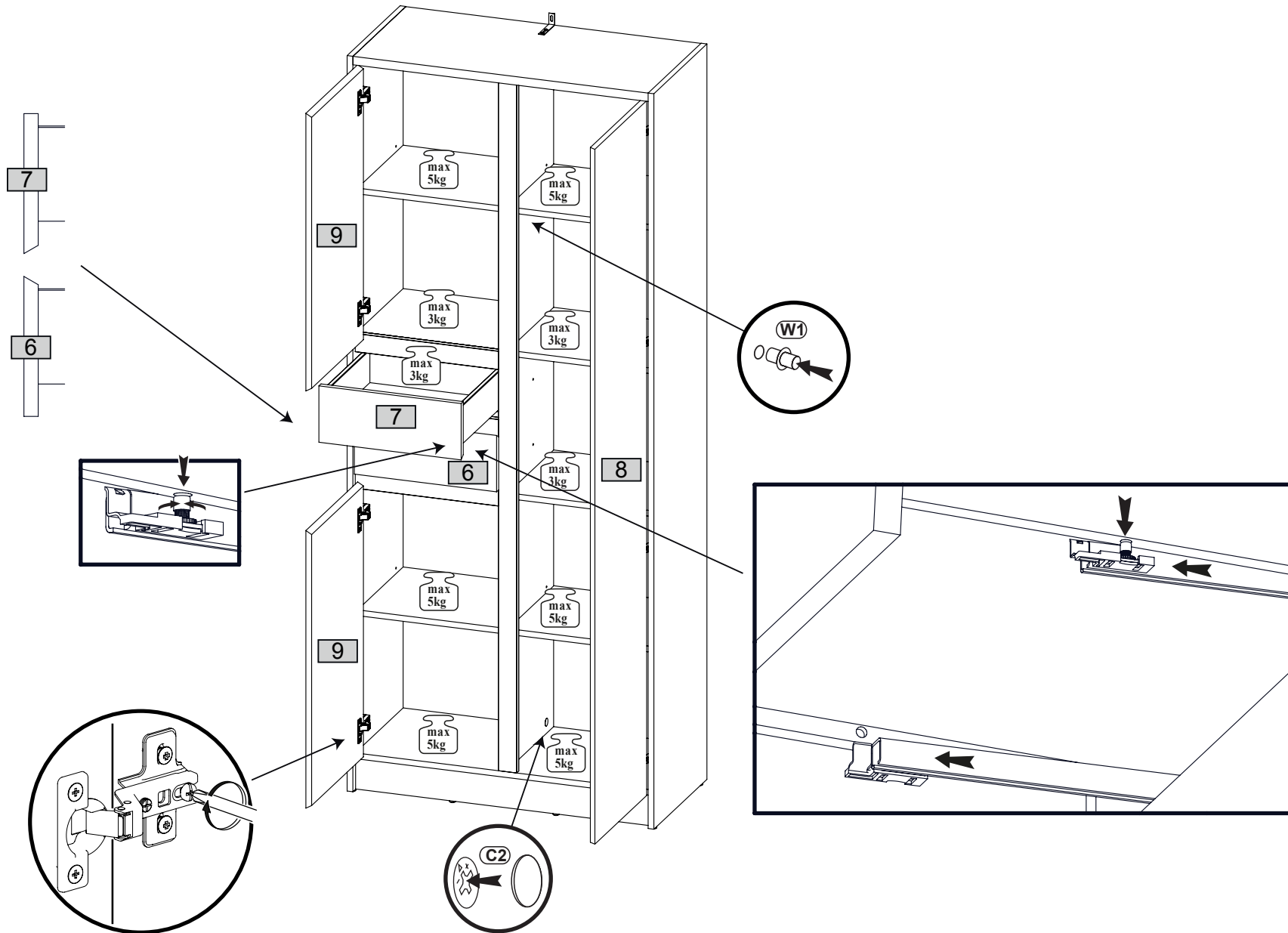
8L



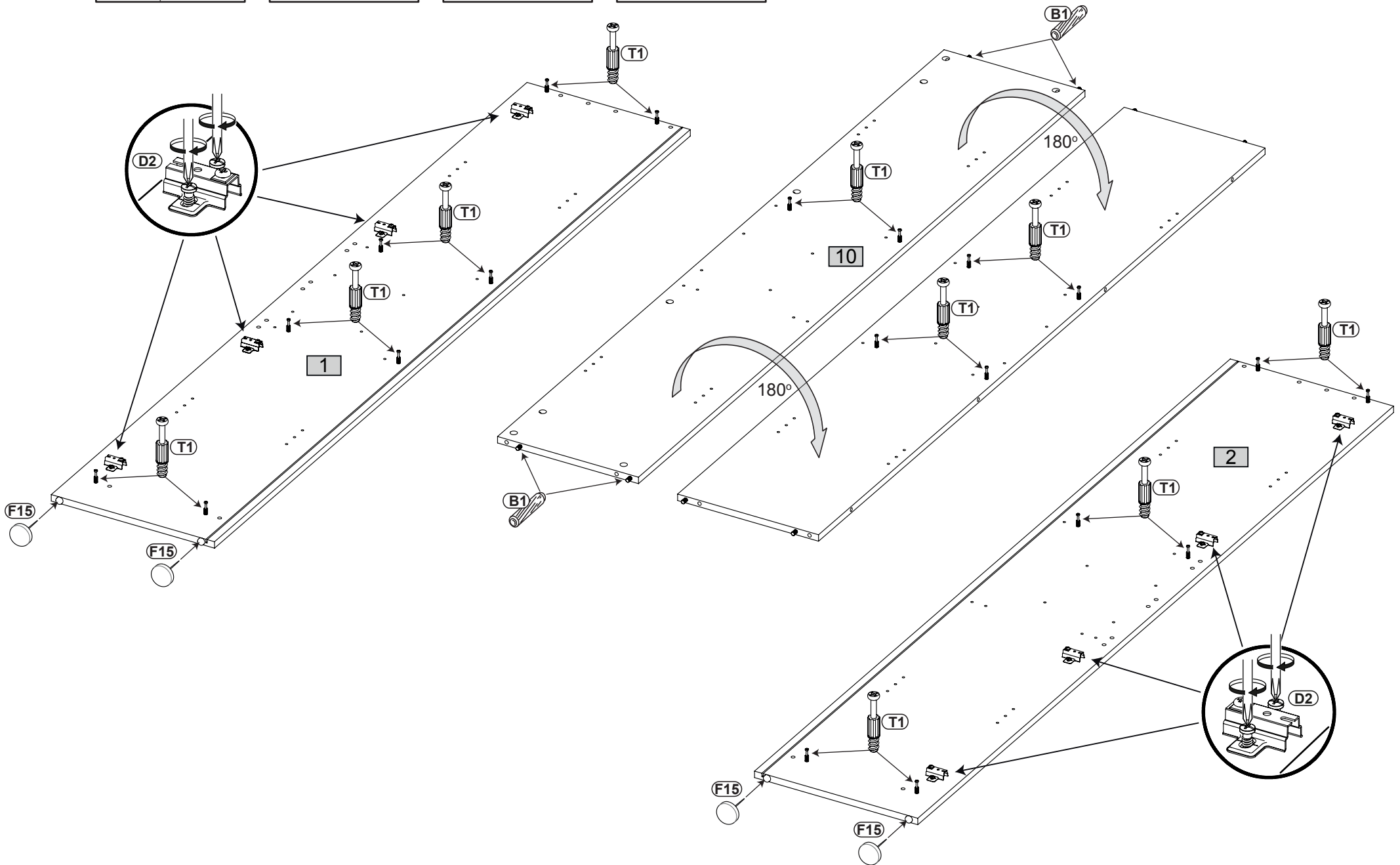
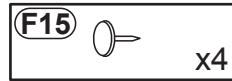
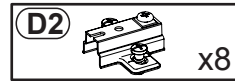
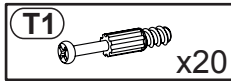
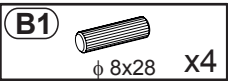



9L (W1) x16

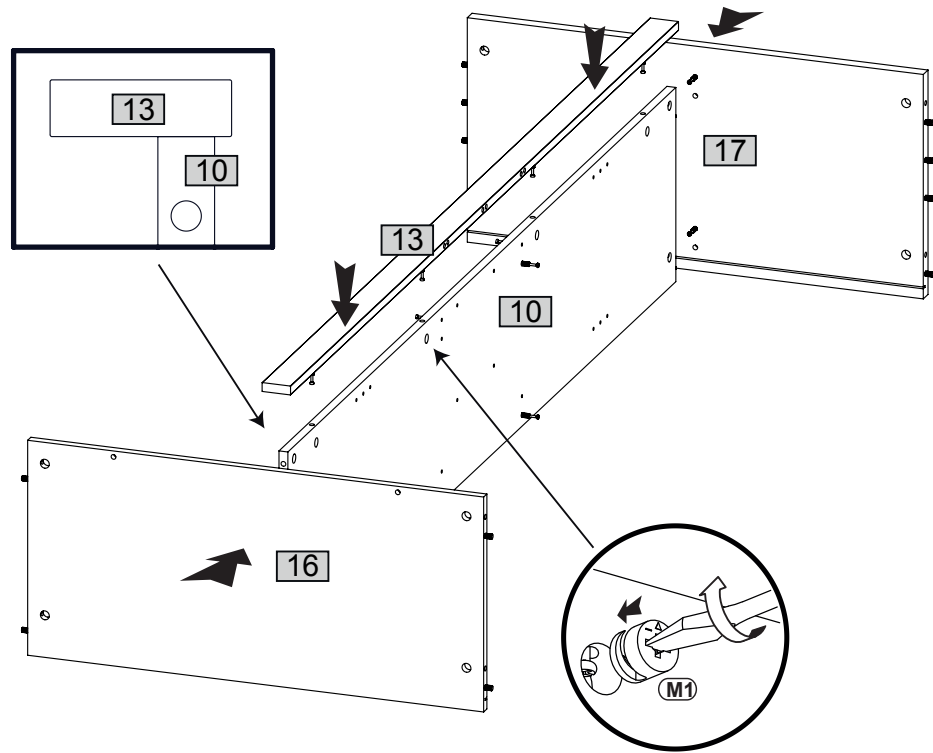
(C2)  $\phi$  20 x24




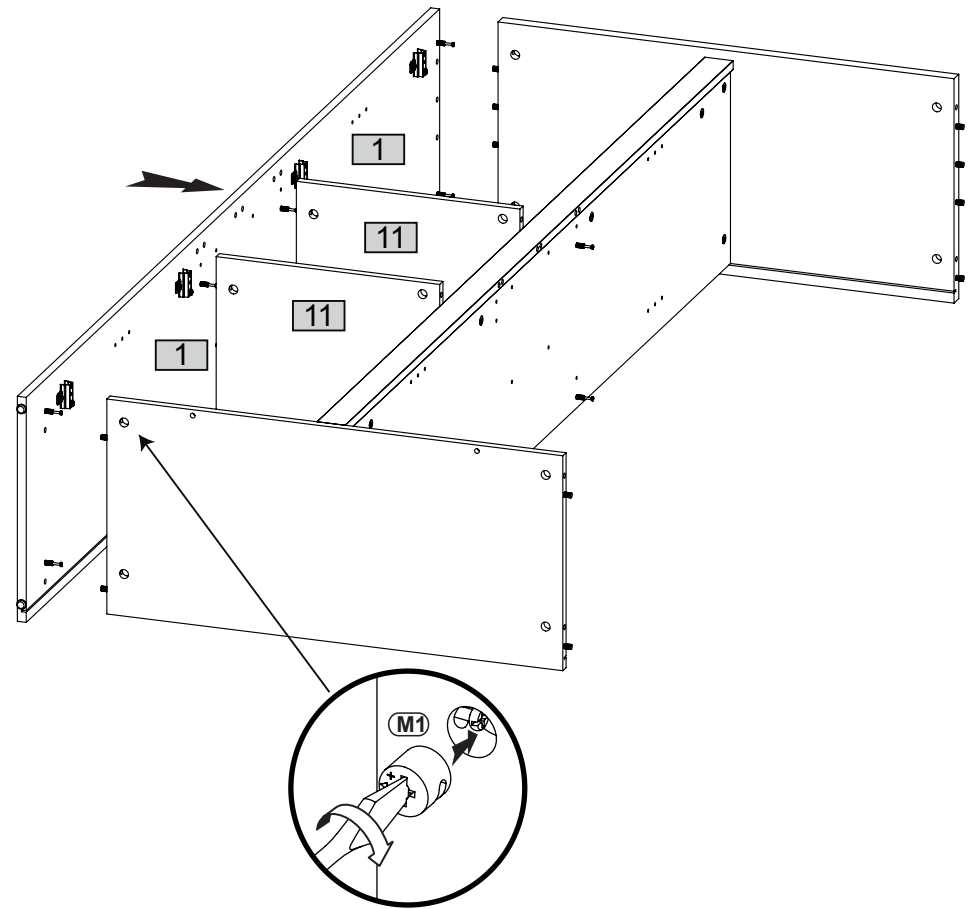
3R





**4R** (M1)  x8






**5R** (M1)  x12

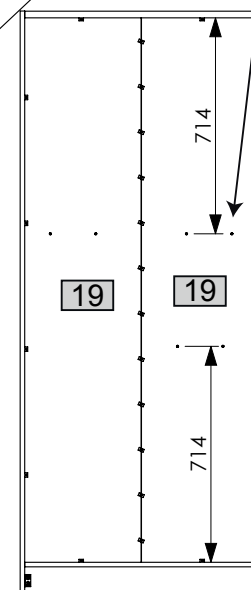
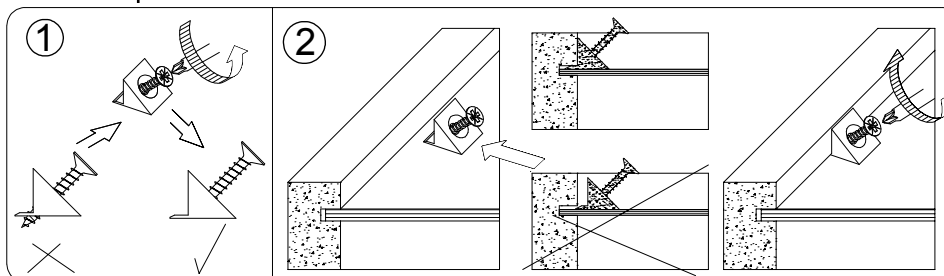
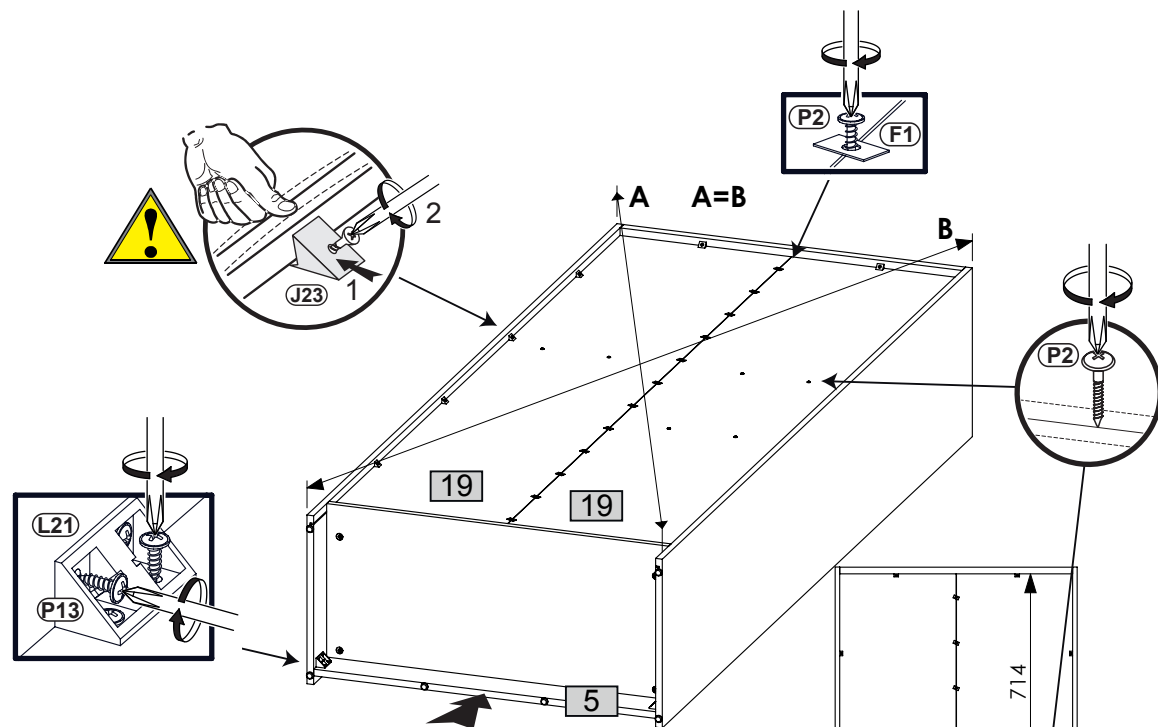
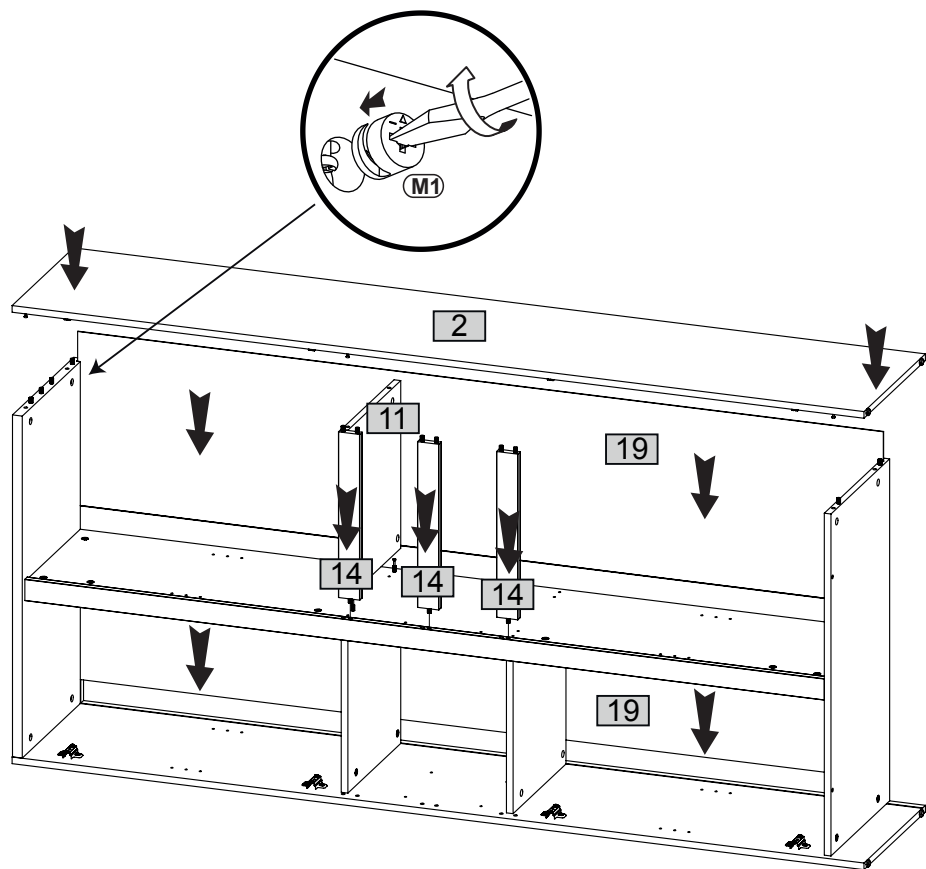


**6R** **(M1)**  x8

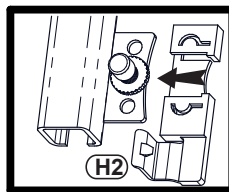
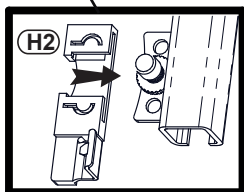
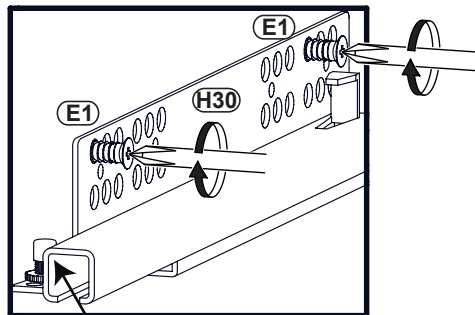
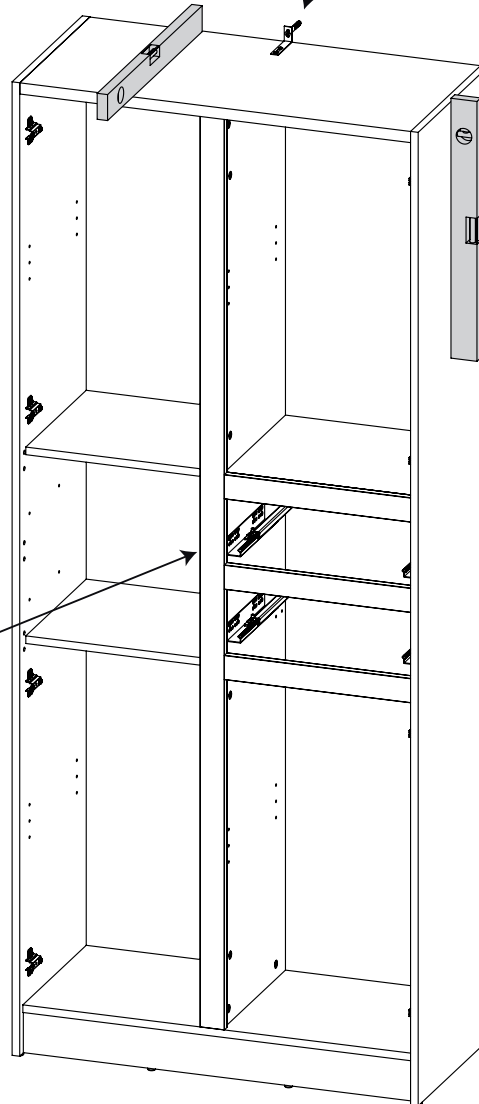
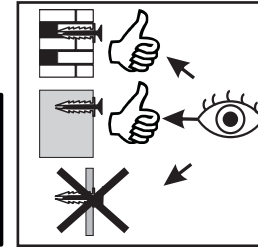
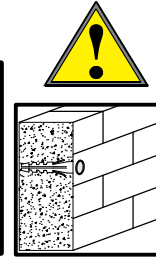
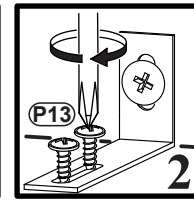
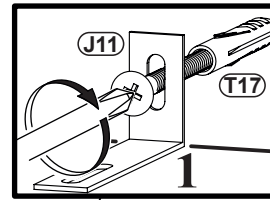
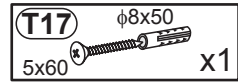
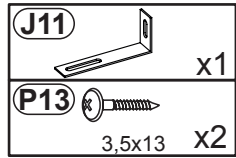
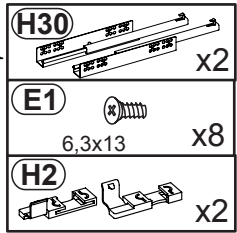
**7R** **(F1)**  x12  
**(P2)**  3x16 x18

**(J23)**  x12


**(L21)**  x2  
**(P13)**  3,5x13 x8



8R



**9R** **W1**  x16

**C2**   $\phi$  20 x24

