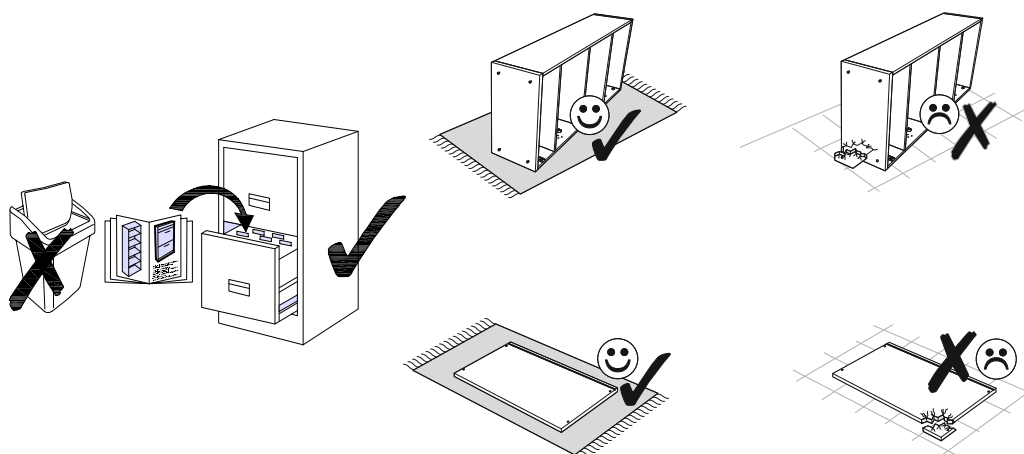
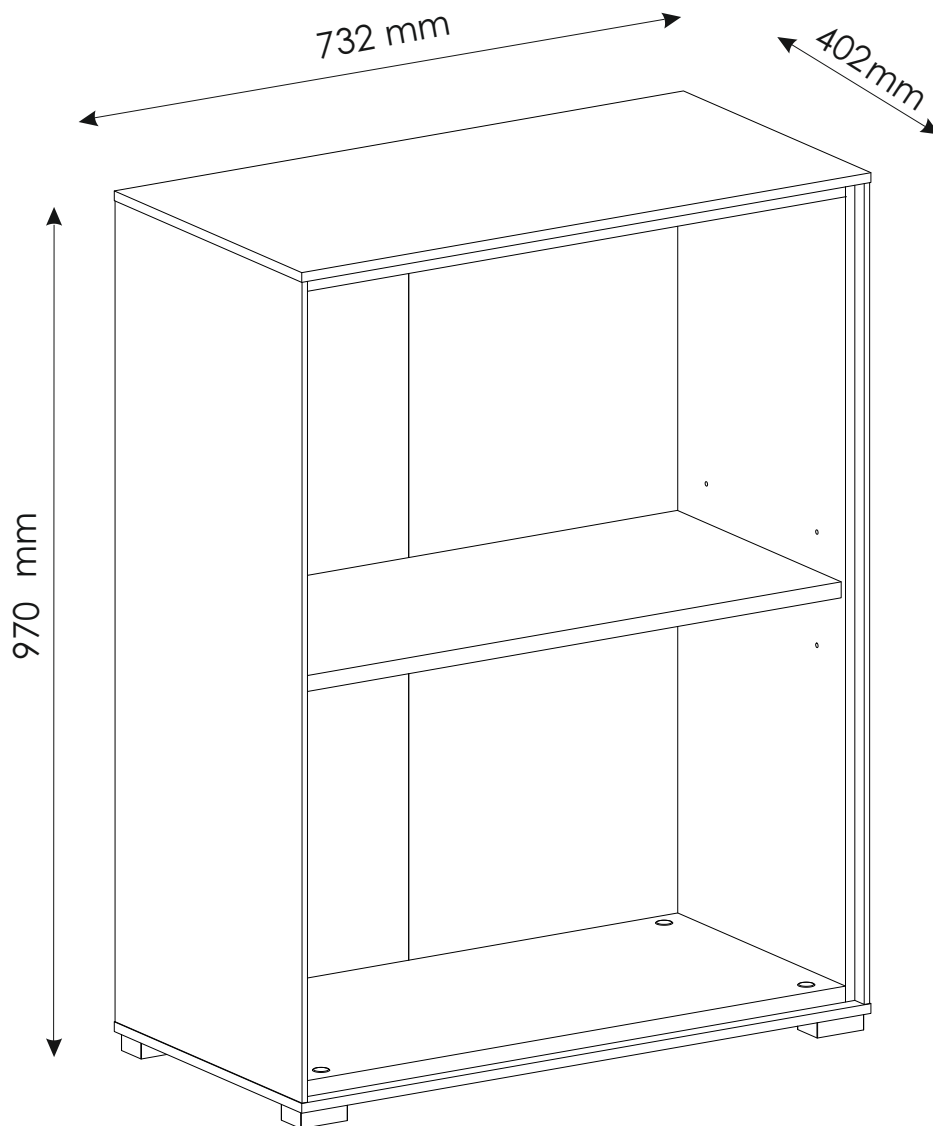
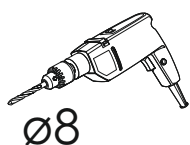
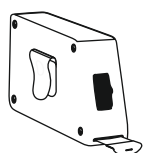
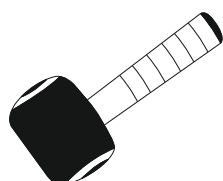
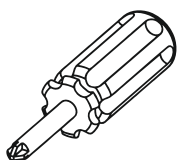
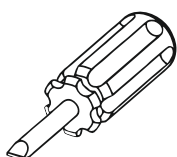
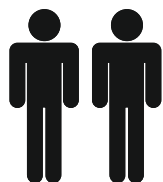


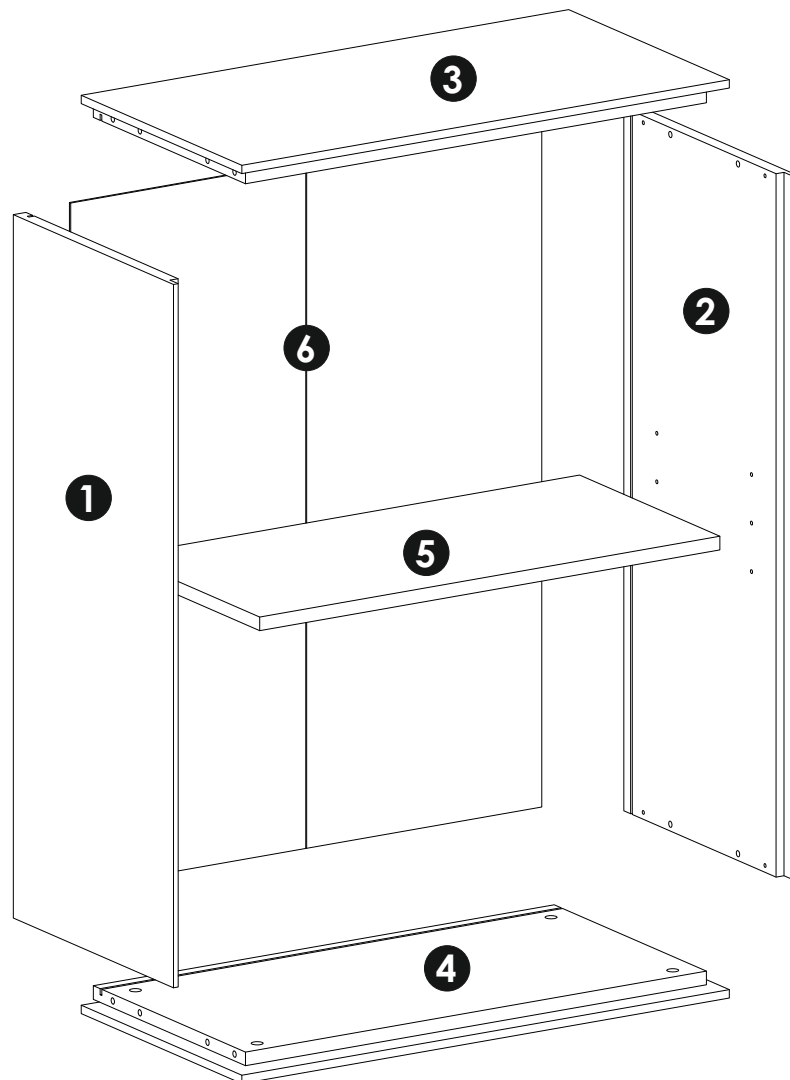
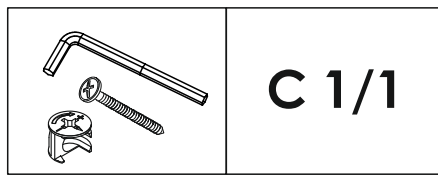


Modell: **DALLAS**

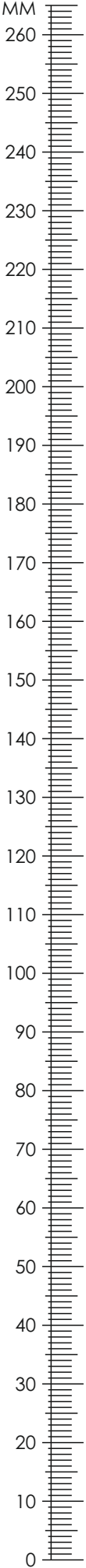
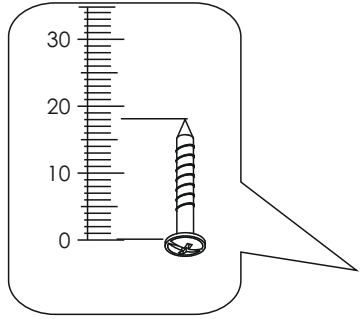
Art. Nr. 14160029/05



1	928	381	29	x1	1/1
2	928	381	29	x1	1/1
3	732	382	29	x1	1/1
4	732	382	29	x1	1/1
5	671	322	18	x1	1/1
6	906	686	3	x1	1/1



DALLAS Art. Nr. 14160029/05



A

f1 φ8x30 mm x8	r16 x8	r1 x8	s2 x8	d1 φ5x17 mm x4	o1 x1
---------------------------------	----------------------	---------------------	---------------------	---------------------------------	---------------------

B

i2 x10	k40 φ40x60x20mm x4	p70 φ4x20 mm x8
----------------------	-------------------------------------	----------------------------------

C

t18 φ8x40 mm φ4x50 mm x1
--

