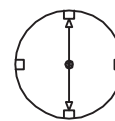
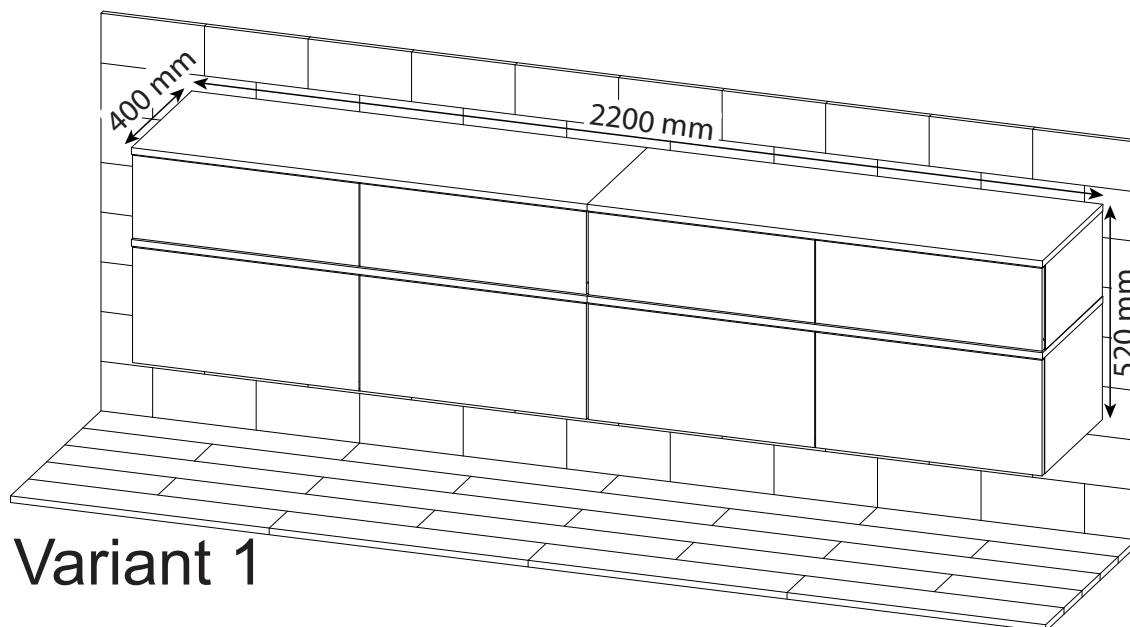
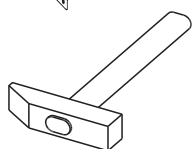
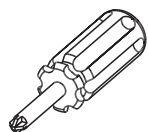
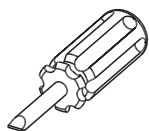
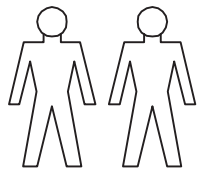


SCALE Lowboard 4T4L

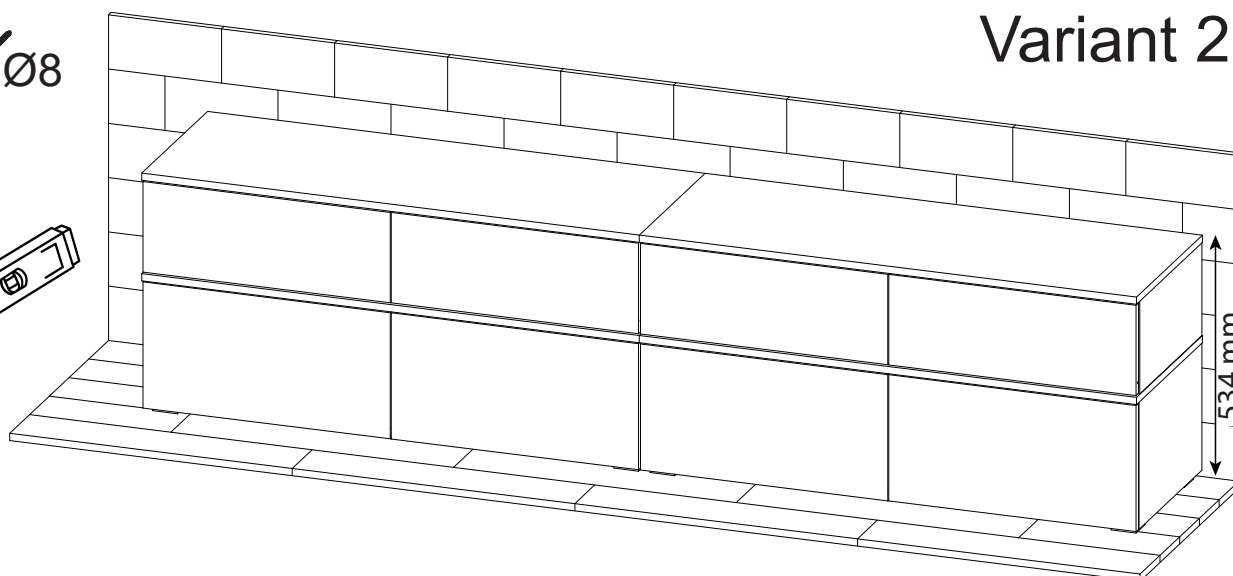
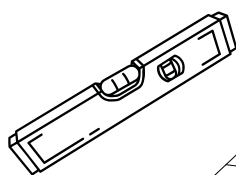
00030138/02
00030138/12



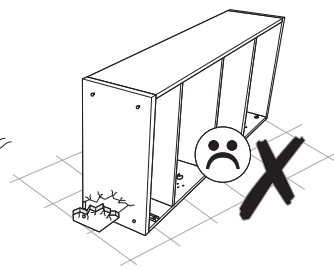
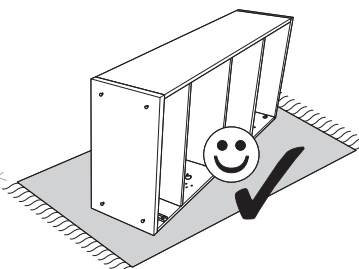
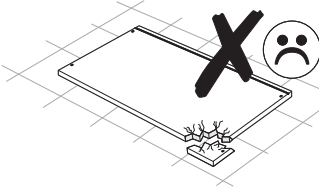
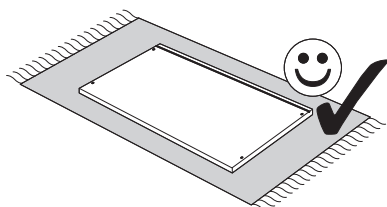
80
MIN

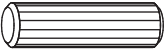
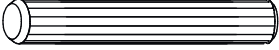
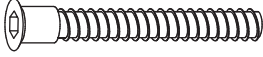



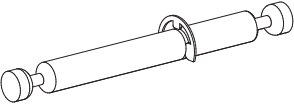
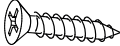
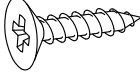
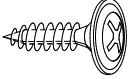


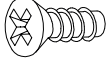
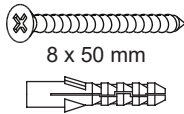
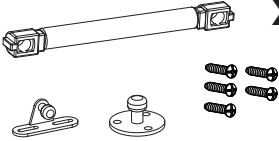

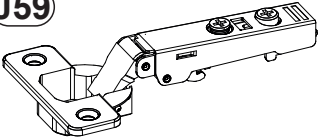
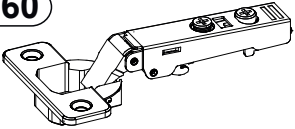
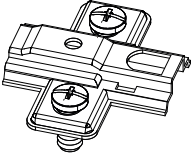


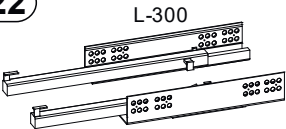
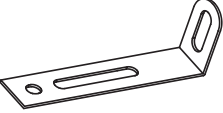
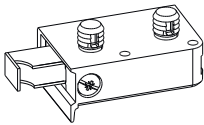
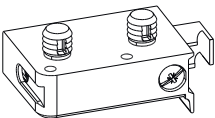
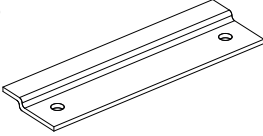
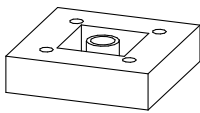


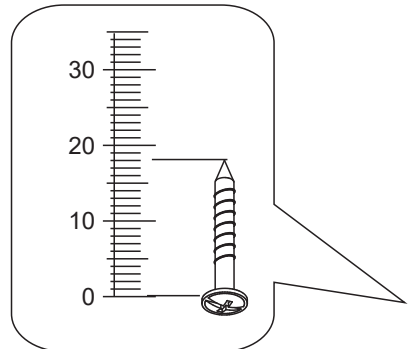
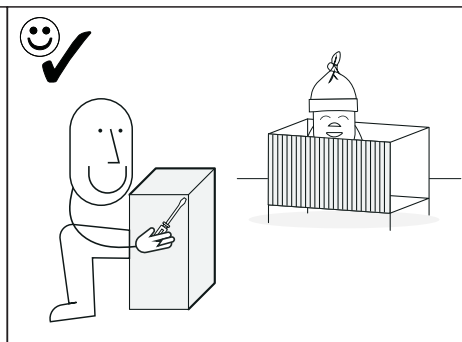
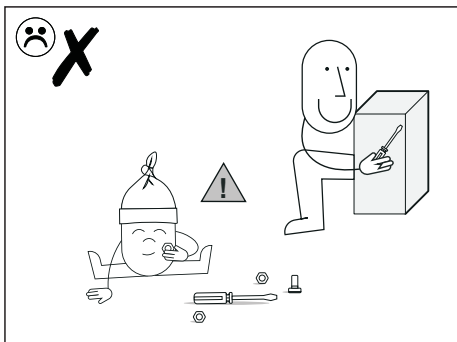
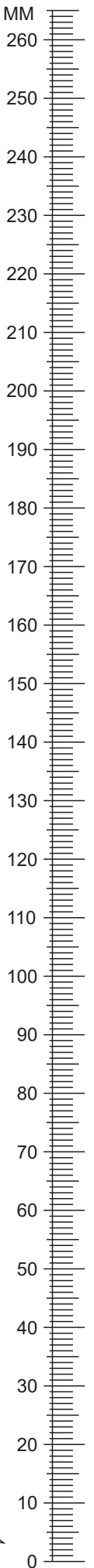
Variant 1



Variant 2

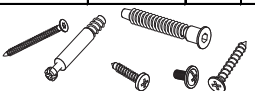


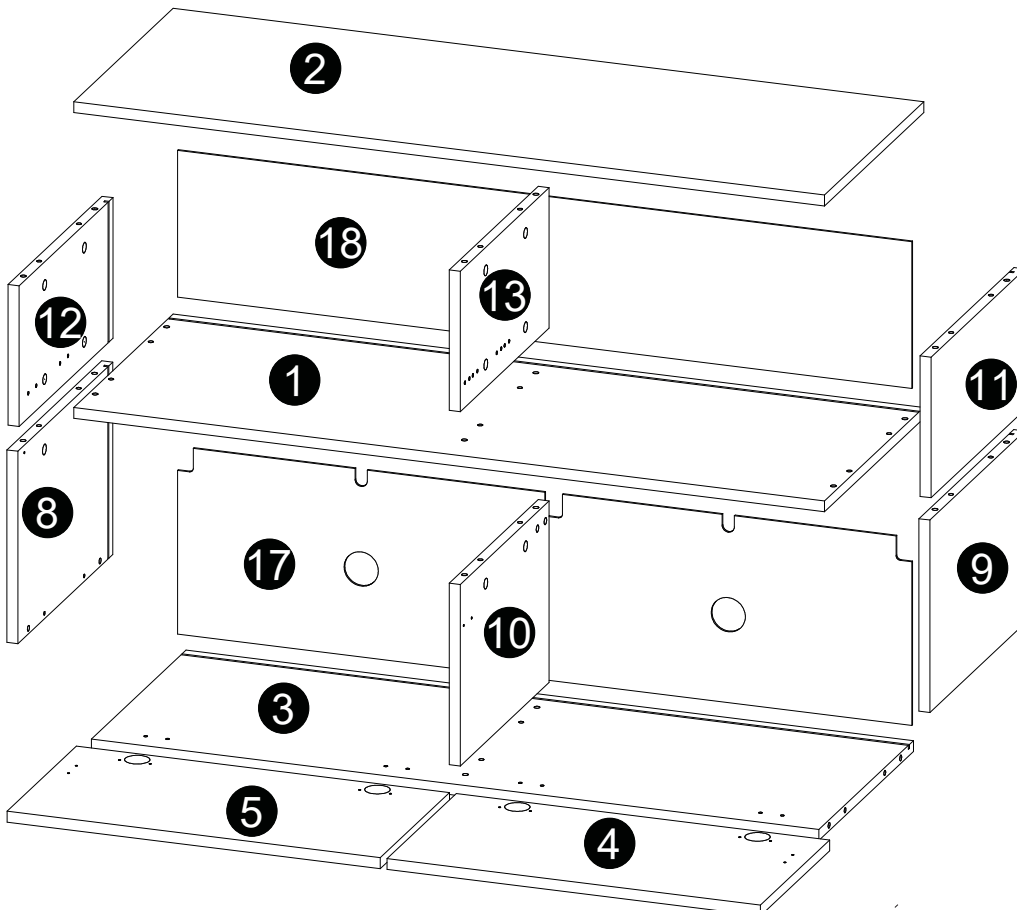
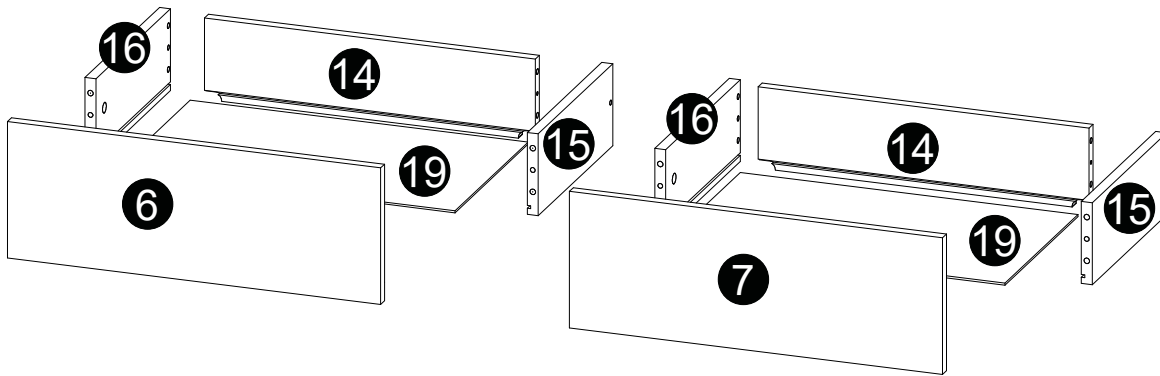
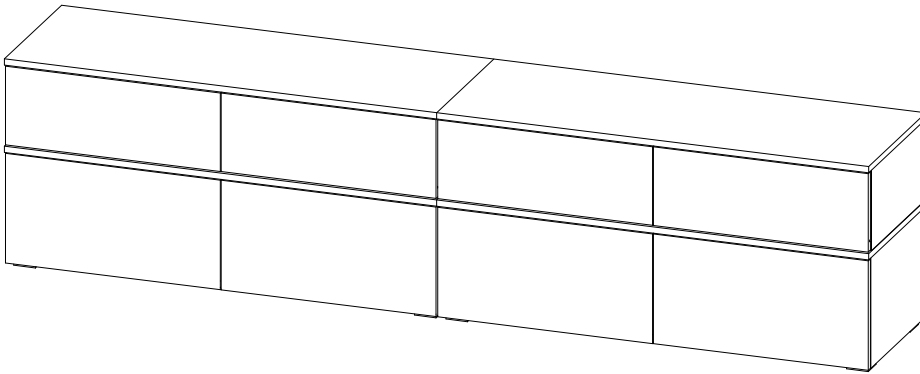
A0 8 x 30mm x56 	A1 8 x 50mm x12 	B1 7x 50 mm x12 
C0 x32 	C2 x28 	C7 16mm x52 
C8 L-84mm x12 	D0 3 x 15 mm x48 	D10 4 x 16 mm x16 
D8 4.2 x 13 mm x8 	D12 3.5 x 25 mm x40 	D13 4x30 mm x12 
D31 6.3 x 13 mm x32 	E0 5 x 50 mm 8 x 50 mm x12 	F0 x4 
F7 x4 	J59 x4 	J60 x4 
J3 x8 	K 4mm x1 	M1 x48 
N22 L-300 x4 	P0 x4 	P43 x4 
P44 x2 	P5 x6 	T5 x10 



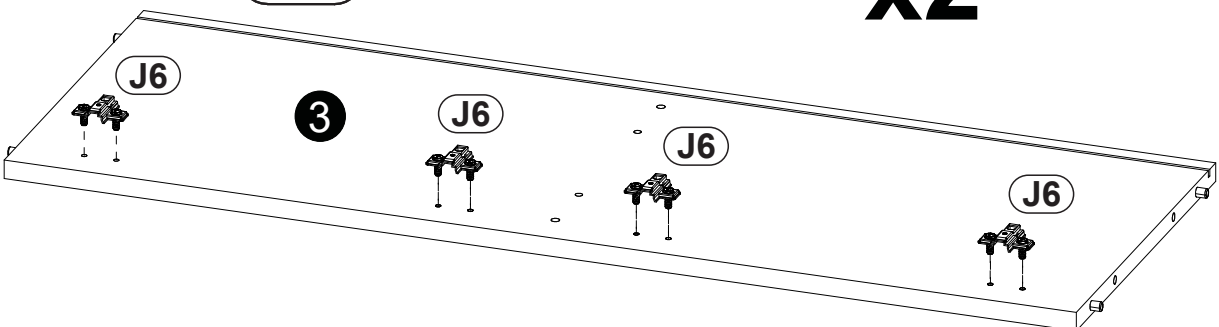
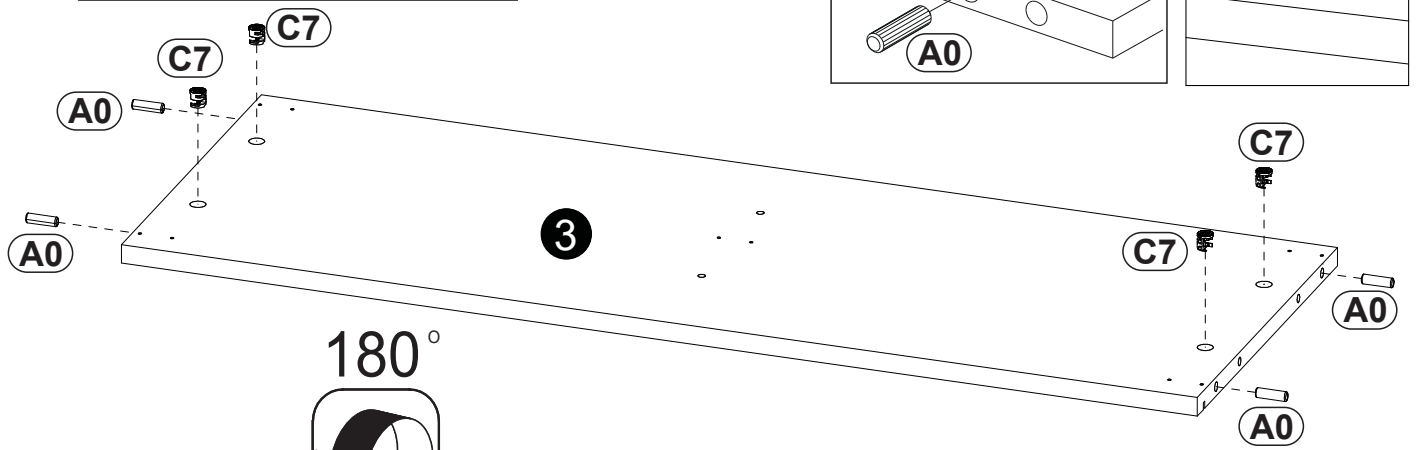
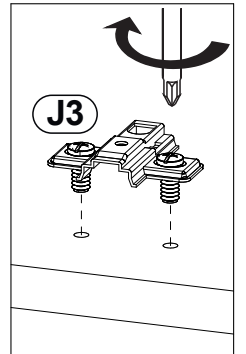
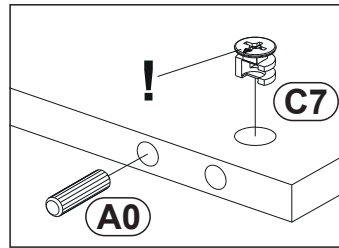
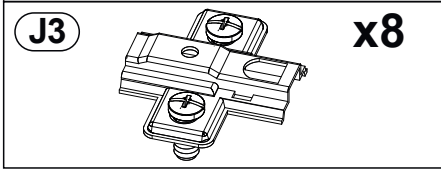
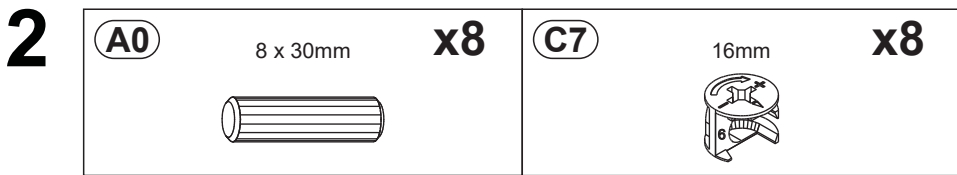
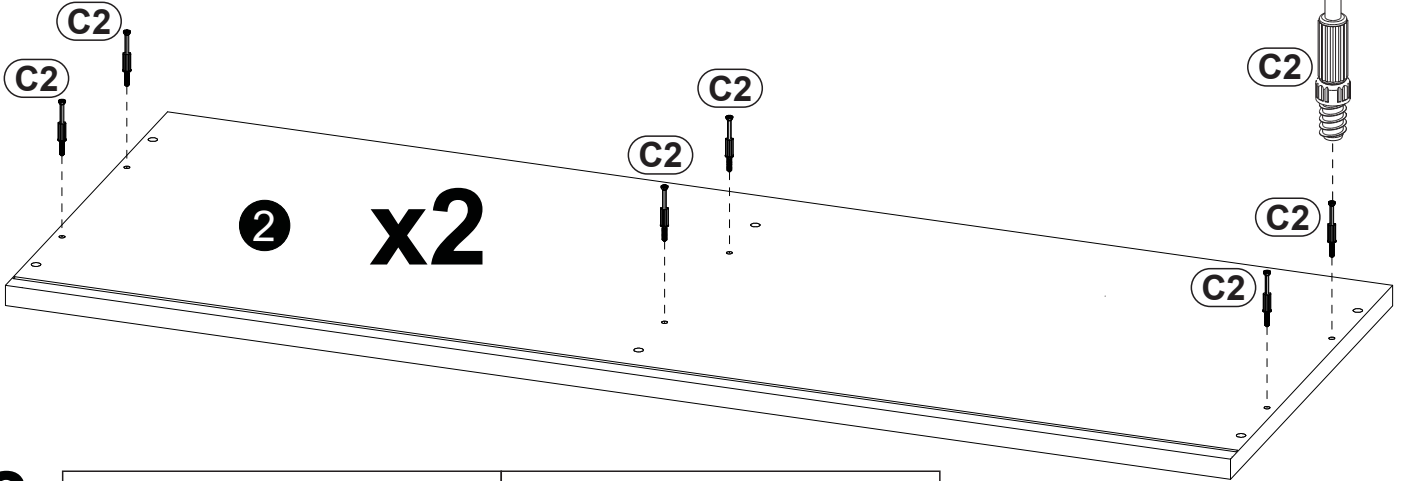
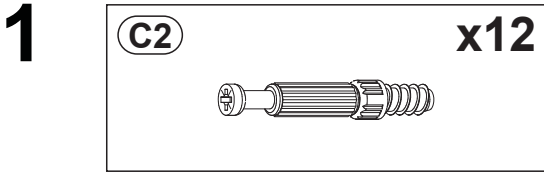
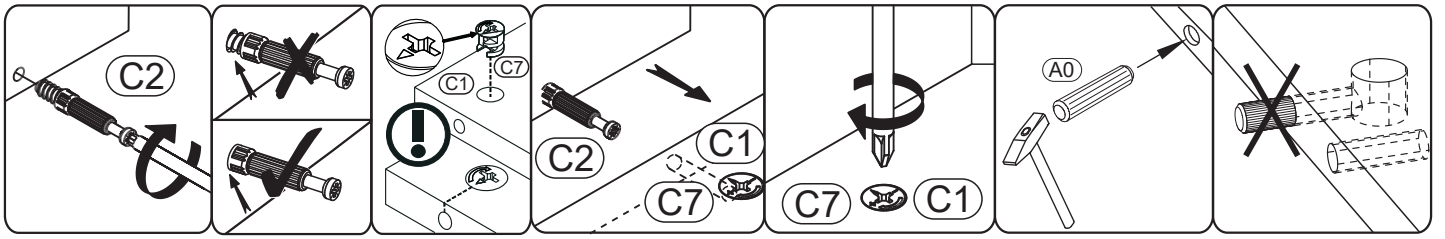
1	1100	400	16	2	2/3
2	1100	400	16	2	2/3
3	1066	381	16	2	1/3
4	279	547	16	2	3/3
5	279	547	16	2	3/3
6	547	200	16	2	3/3
7	547	200	16	2	3/3

8	282	382	16	2	1/3
9	282	382	16	2	1/3
10	266	358	16	2	1/3
11	206	377	16	2	1/3
12	206	377	16	2	1/3
13	206	357	16	2	1/3
14	485	119	16	4	3/3

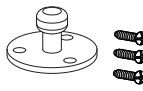
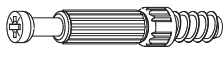


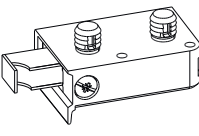
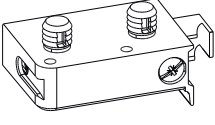
15	300	120	16	4	2/3
16	300	120	16	4	2/3
17	275	1076	3	2	2/3
18	215	1076	3	2	2/3
19	495	294	3	4	2/3
					1/3

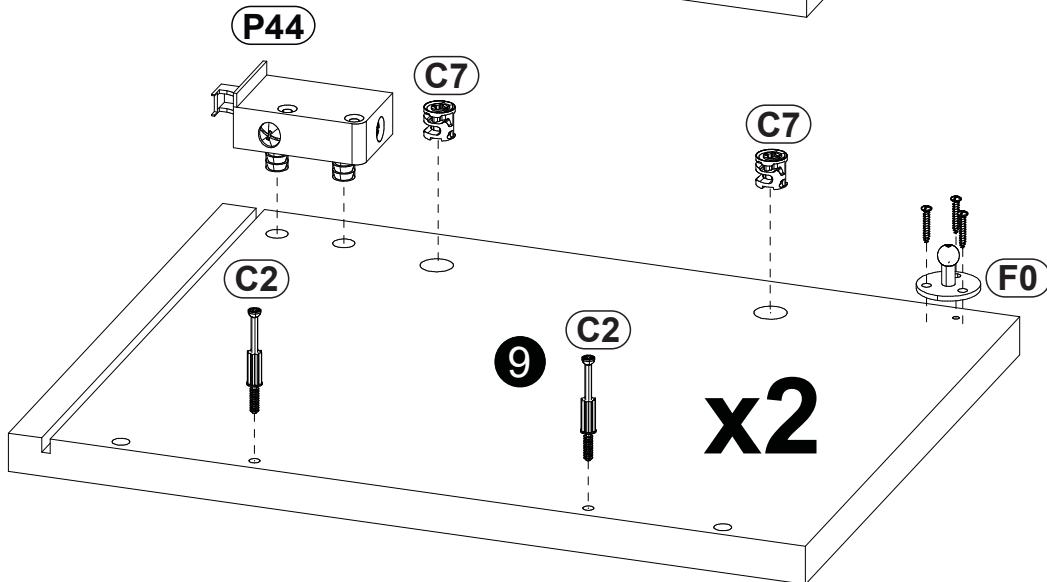
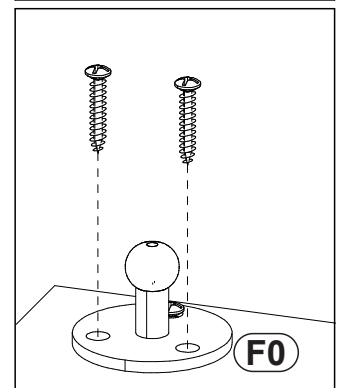
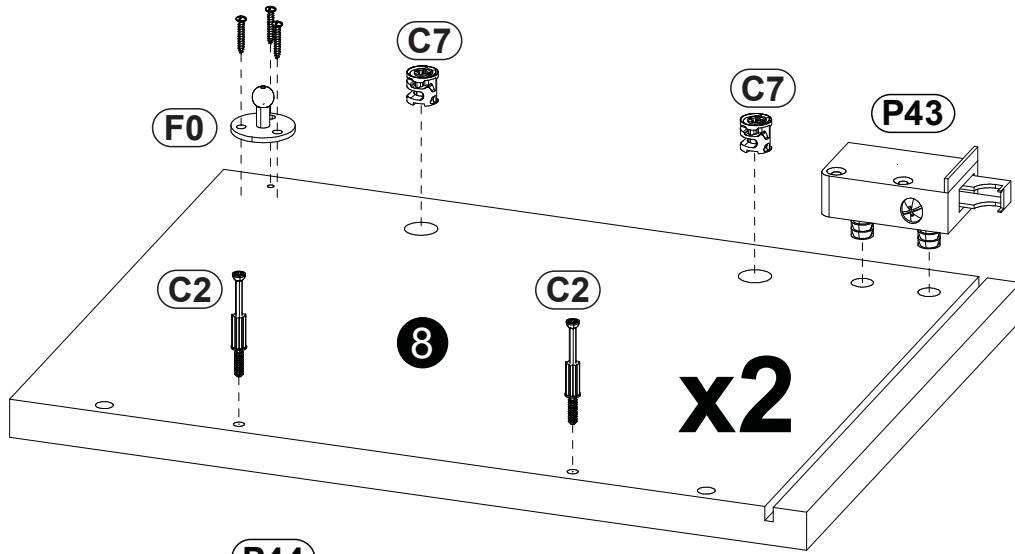
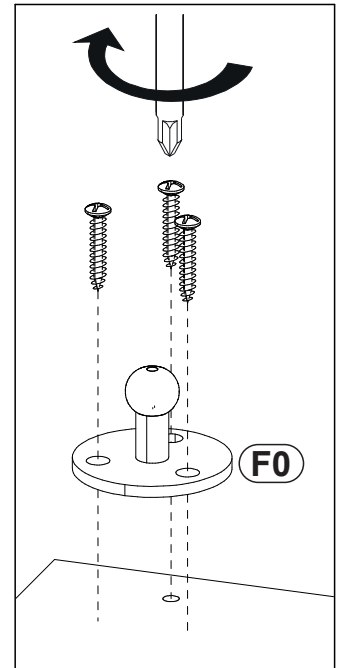
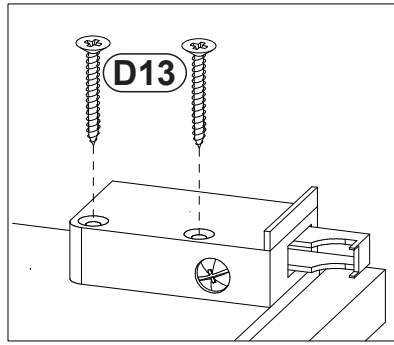
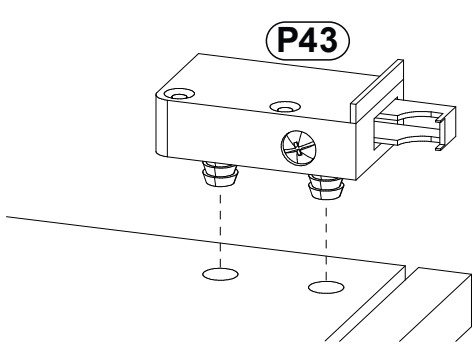


x2

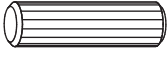


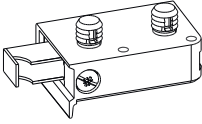
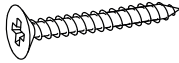


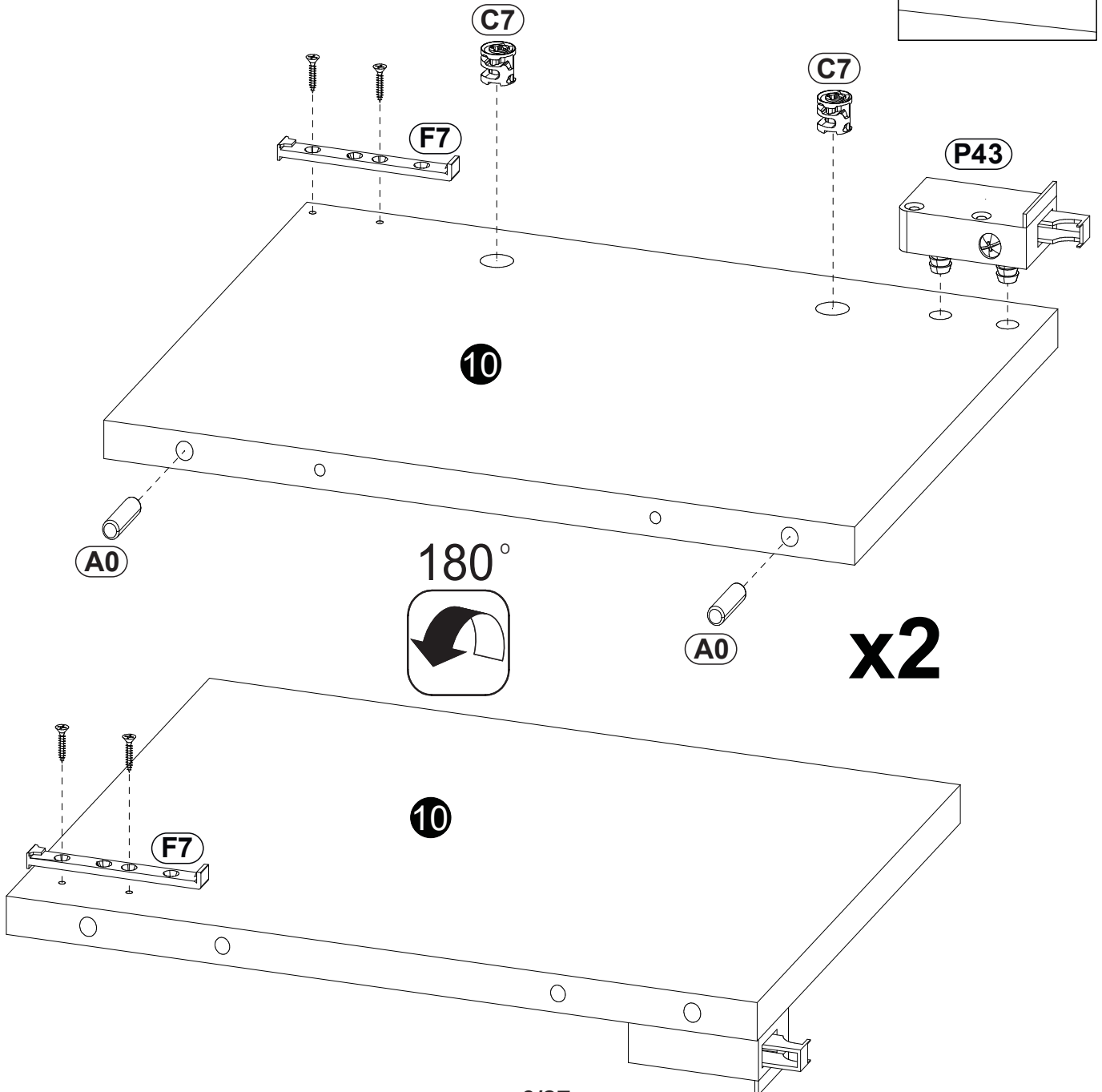
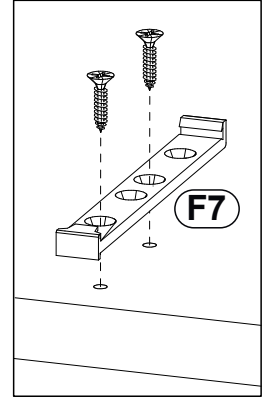
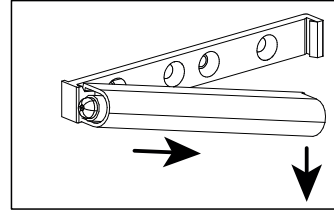
3

(F0)  x4	(C2)  x8	(C7) 16mm  x8
(D13) 4x30 mm  x8	(P43)  x2	(P44)  x2

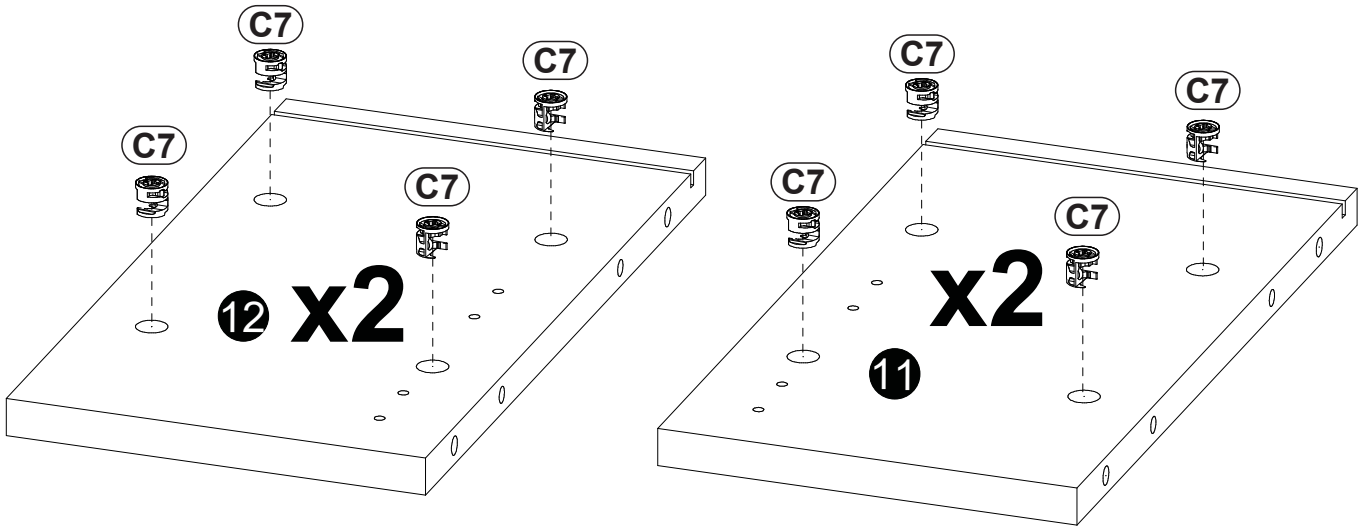
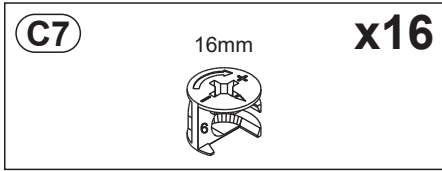


4

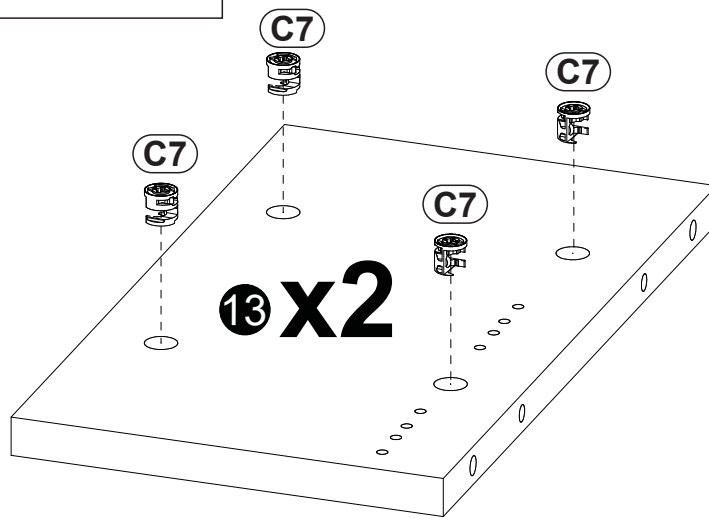
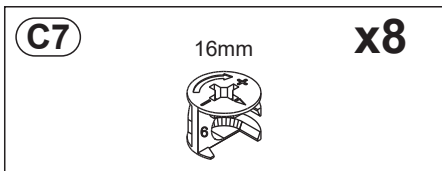
(A0) 8 x 30mm  x4	(F7)  x4	(C7) 16mm  x4
(P43)  x2	(D13) 4x30 mm  x8	



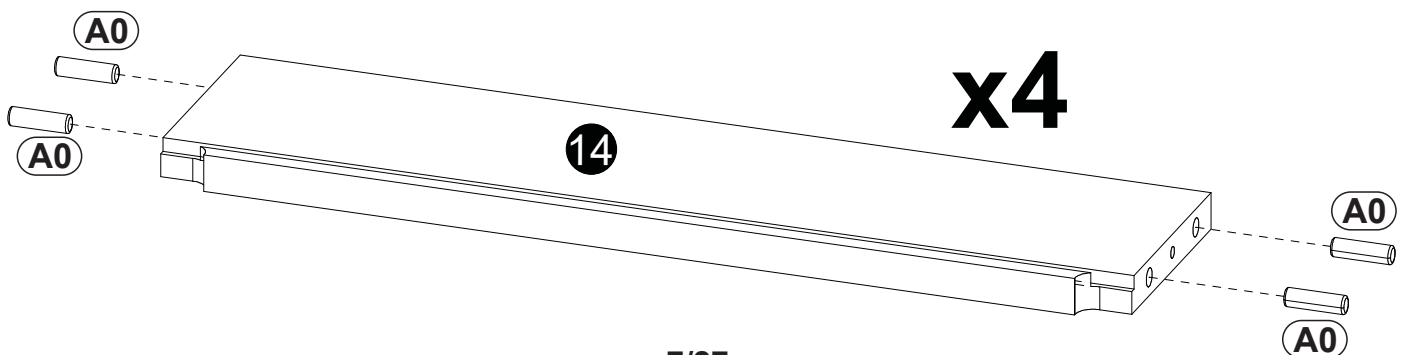
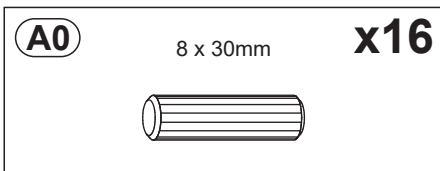
5



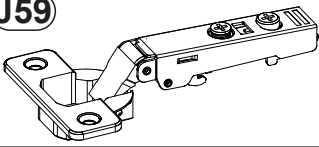
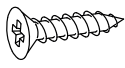
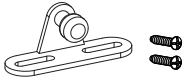
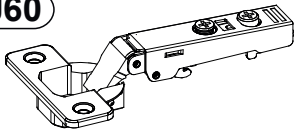
6

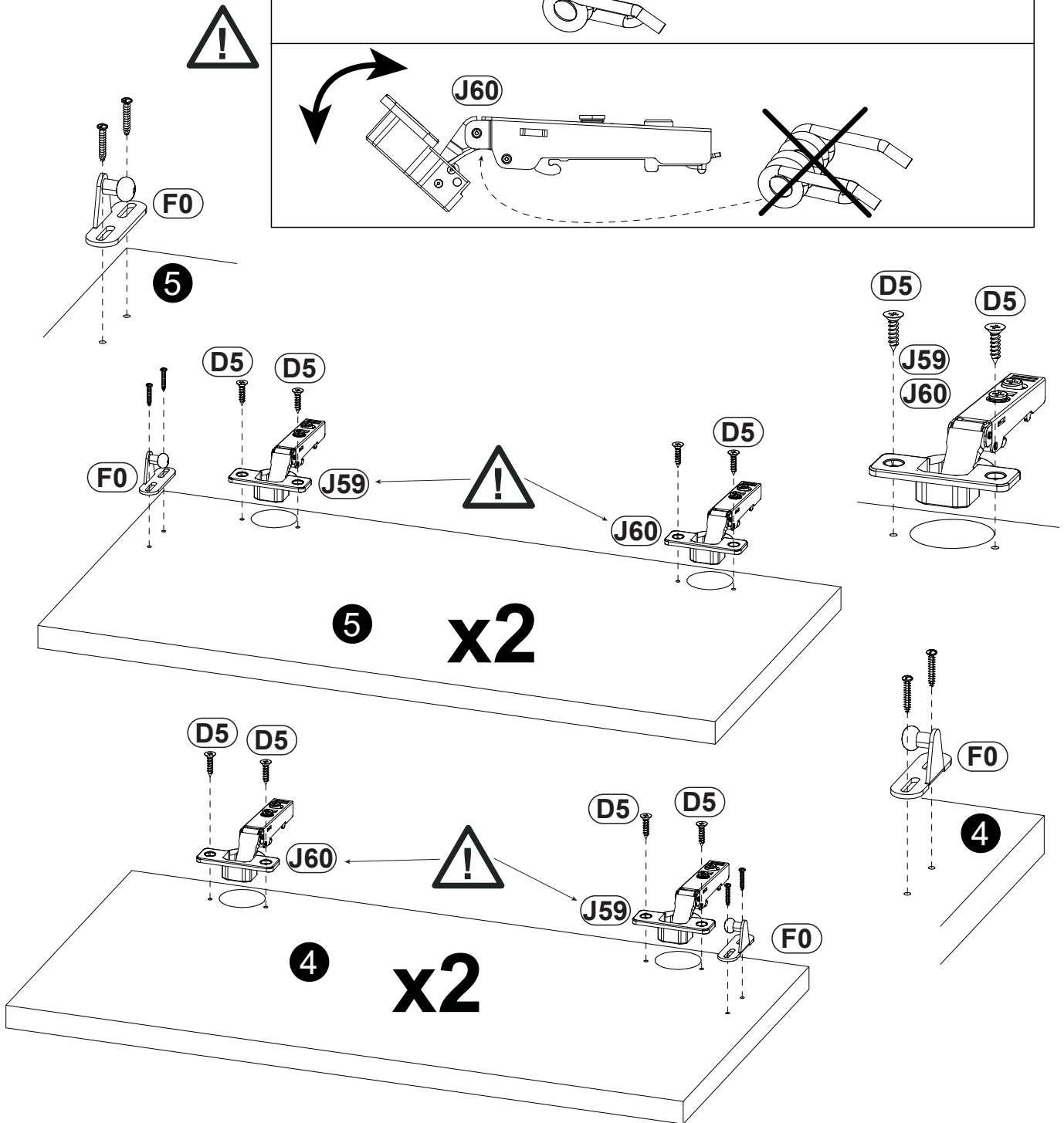
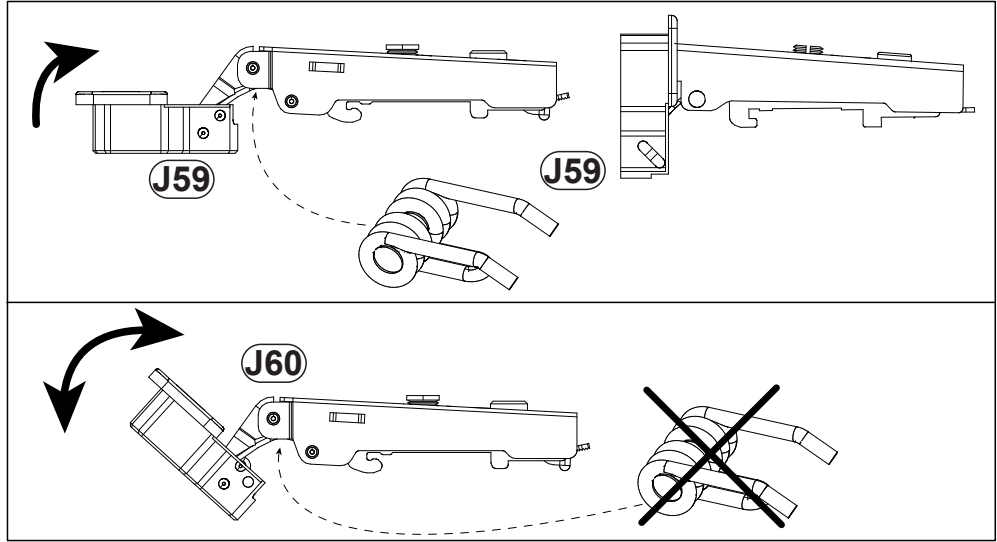


7



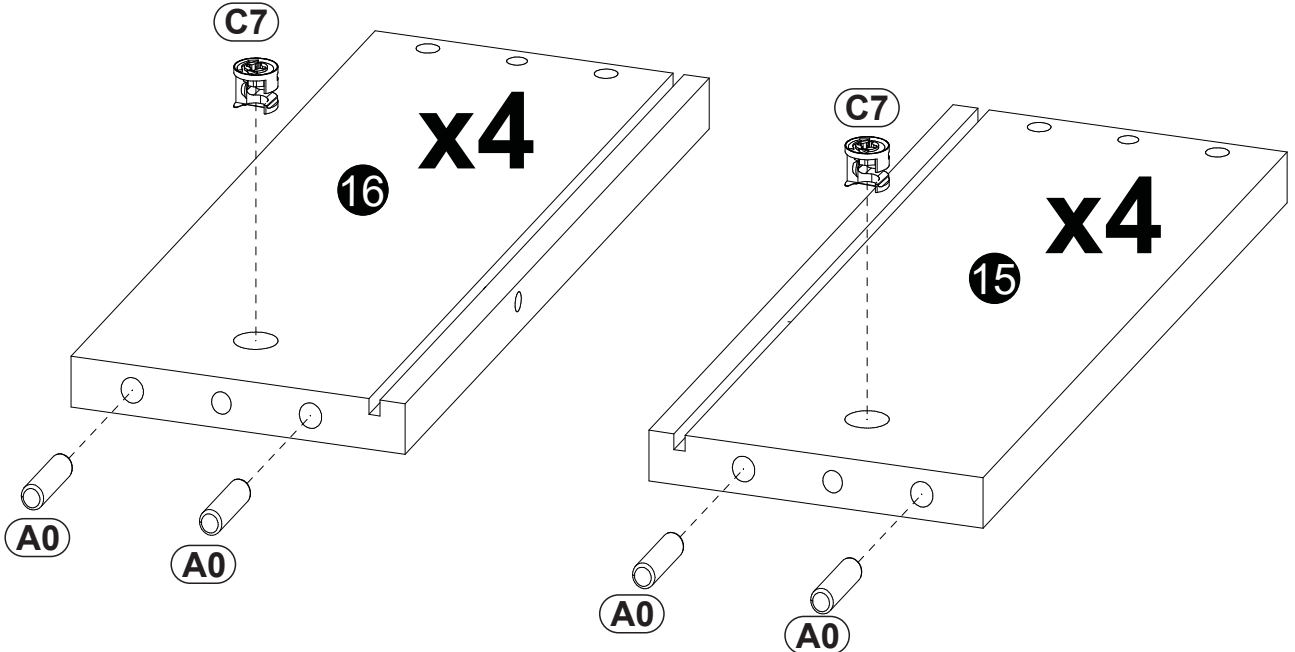
8

<p>J59  x4</p>	<p>D5  3,5 x 16 mm x16</p>	<p>F0  x4</p>
<p>J60  x4</p>		



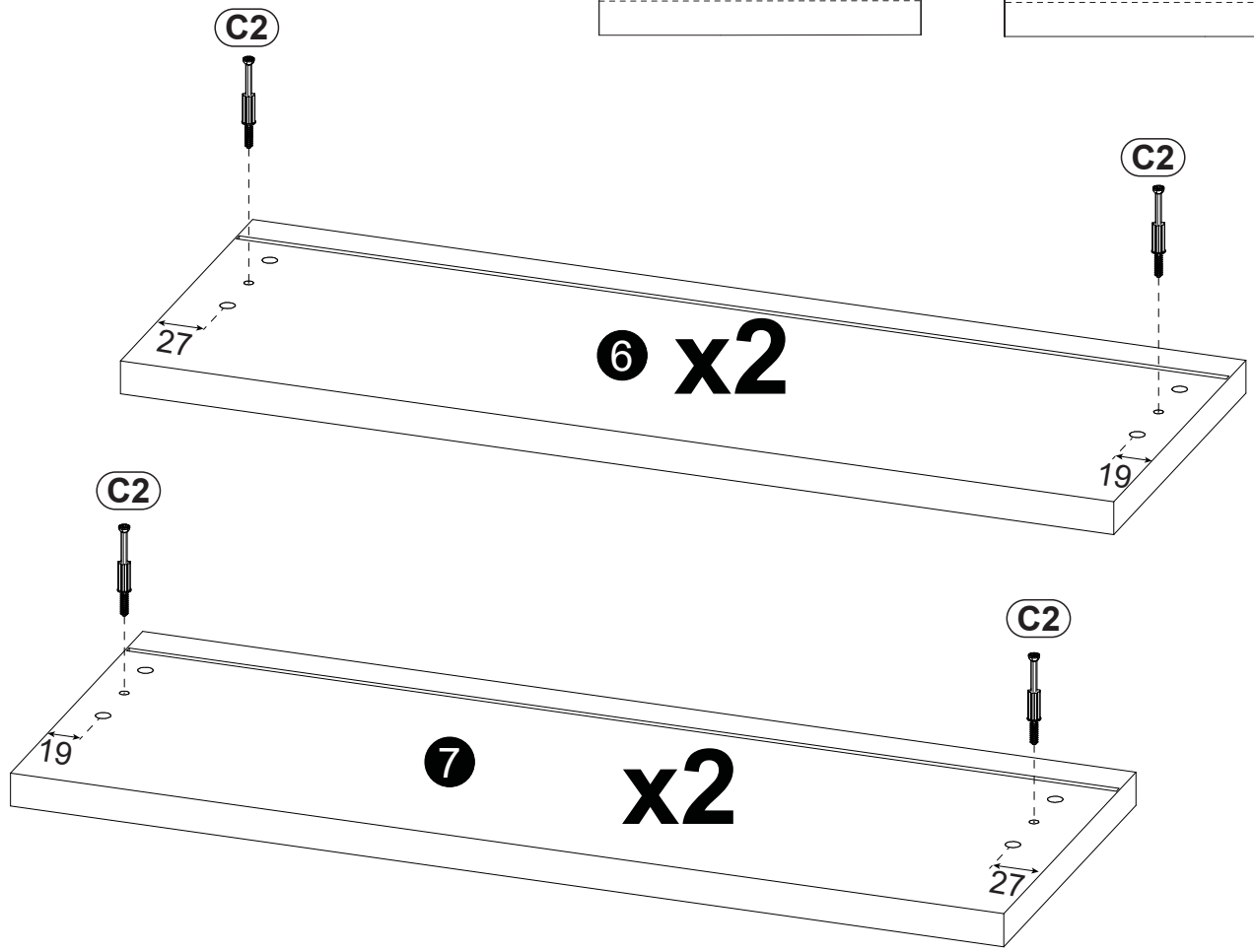
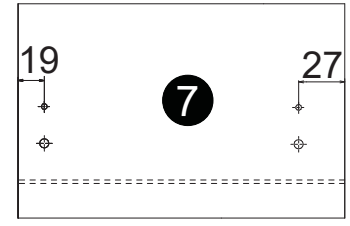
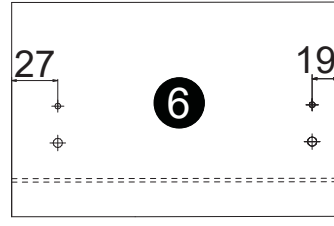
9

(A0)	8 x 30mm	x16	(C7)	16mm	x8
-------------	----------	------------	-------------	------	-----------

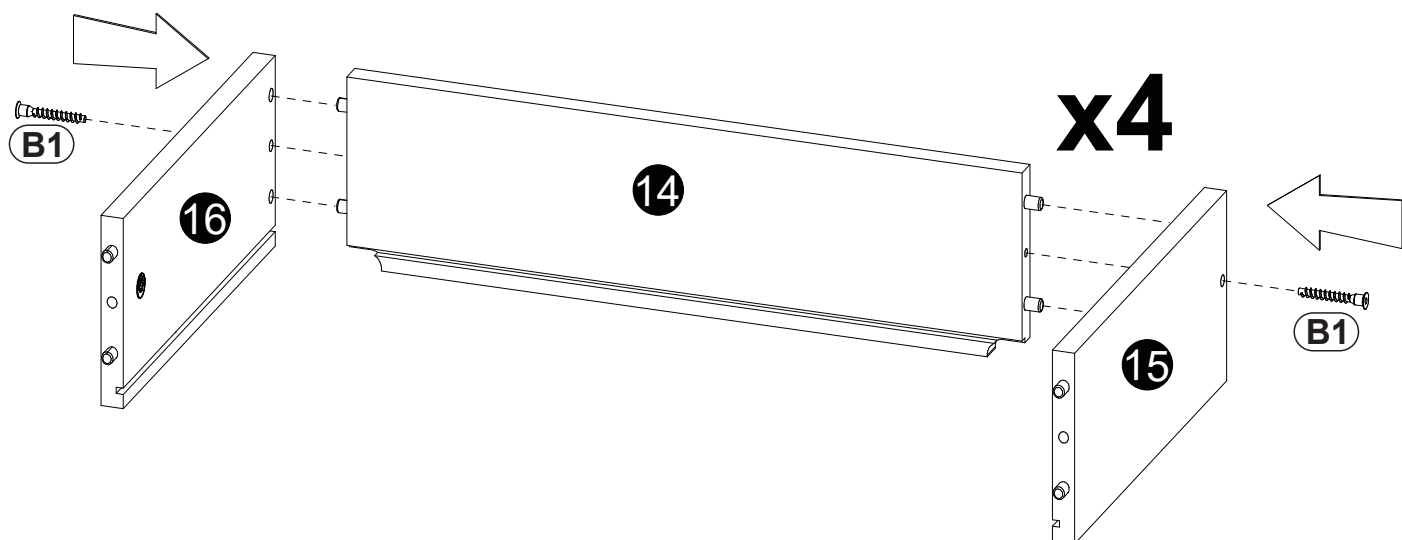
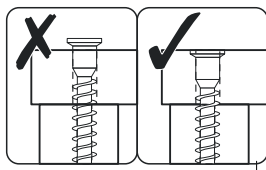
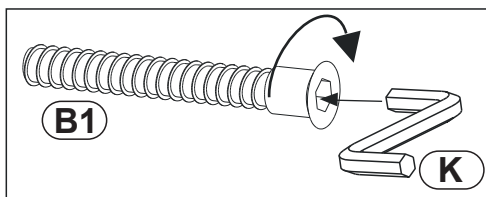
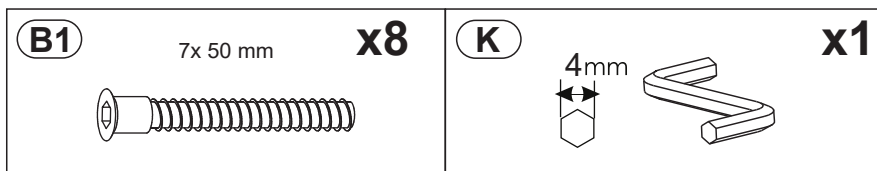


10

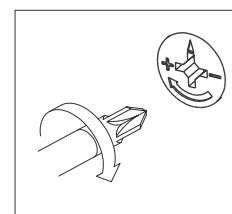
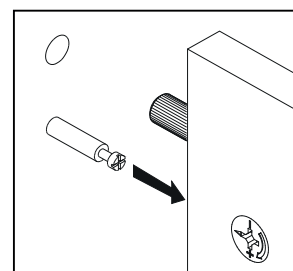
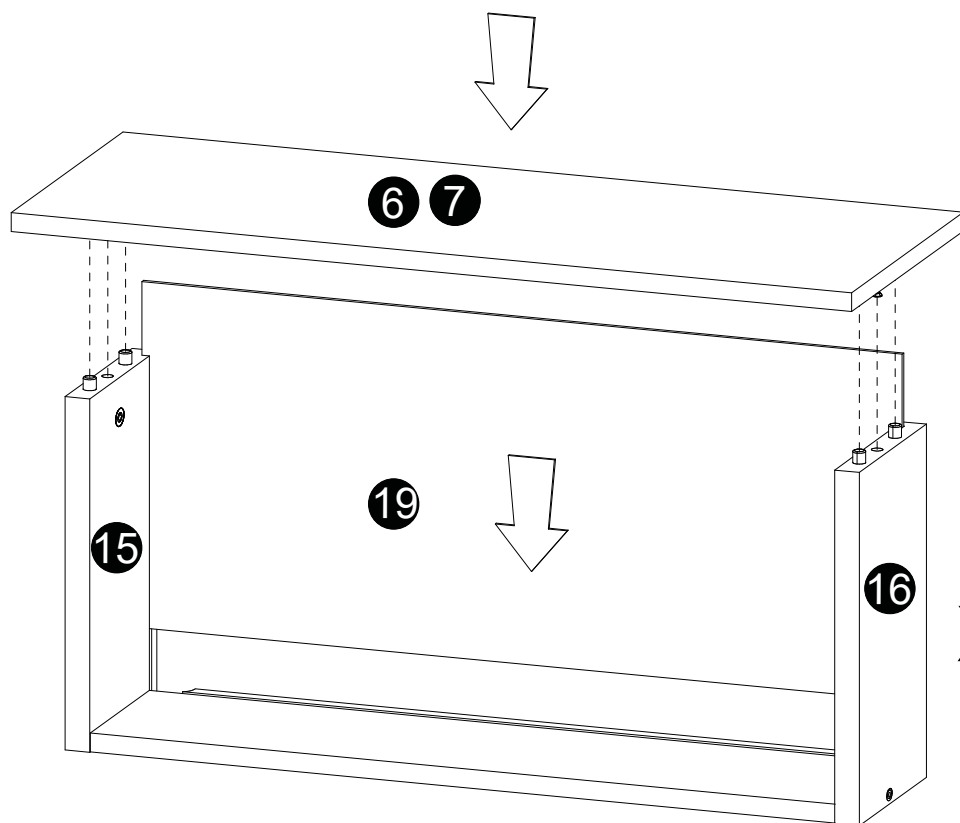
(C2)		x8
-------------	--	-----------



11



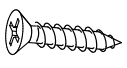
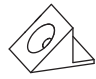
12



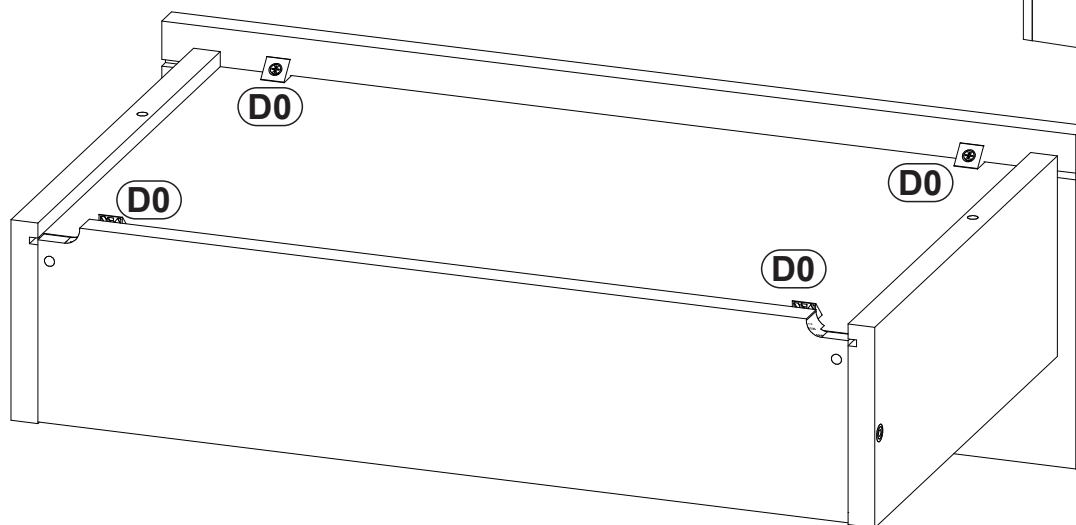
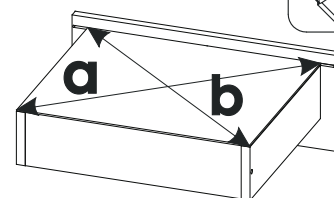
x4



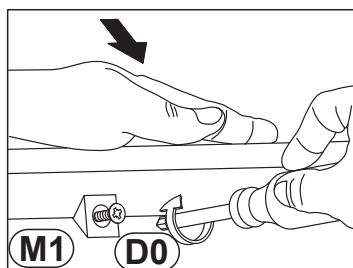
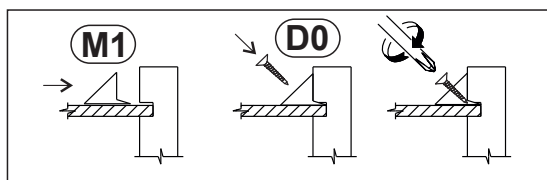
13

(D0) 3 x 15 mm 	x16	(M1) 	x16
---	------------	--	------------


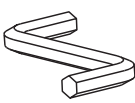
a=b

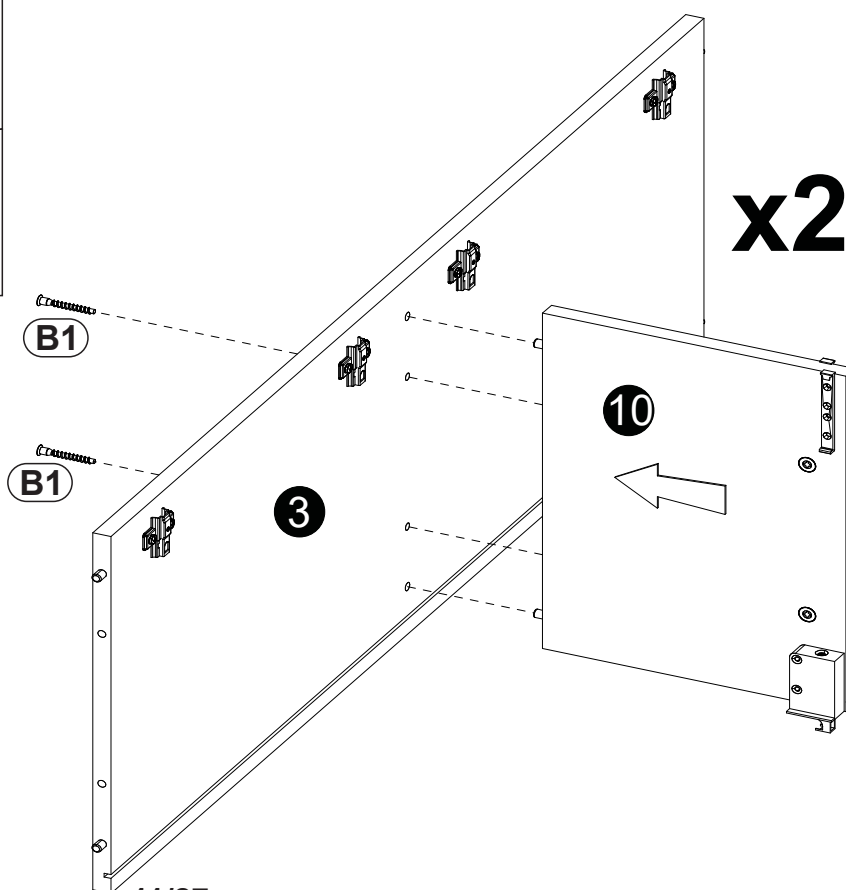
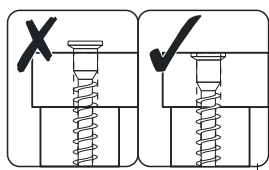
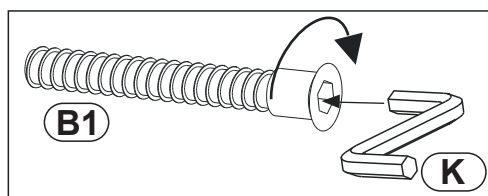


x4



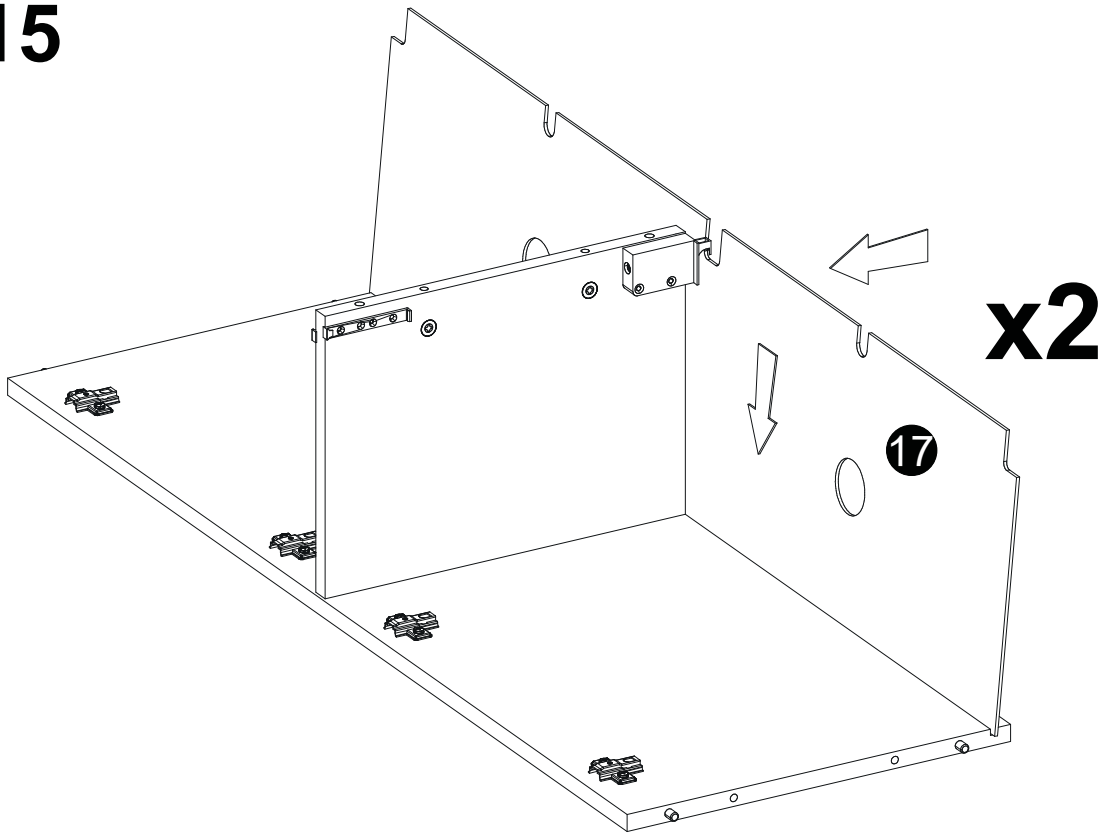
14

(B1) 7x 50 mm 	x4
(K) 4mm 	x1

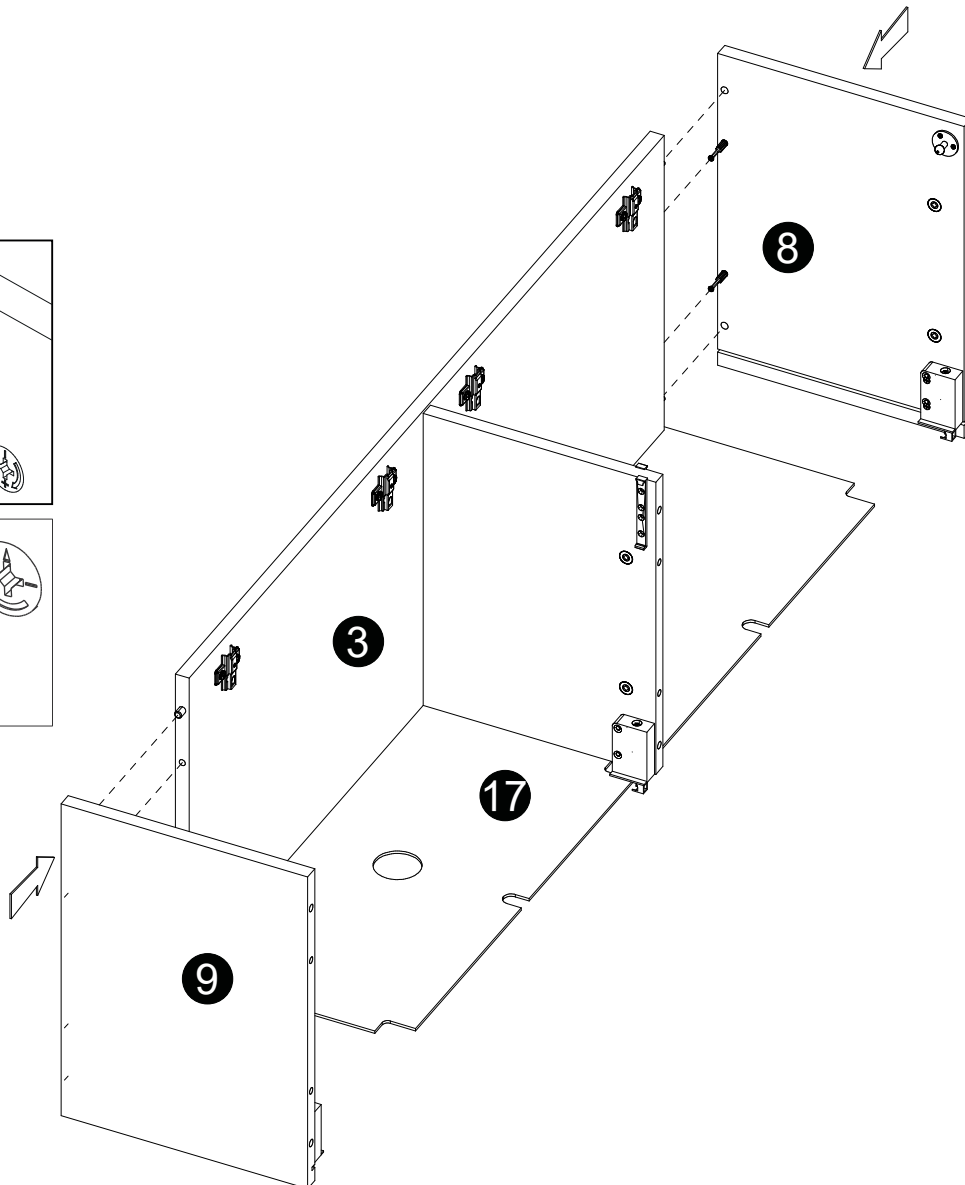
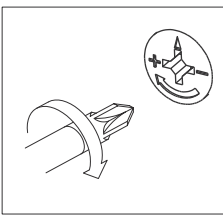
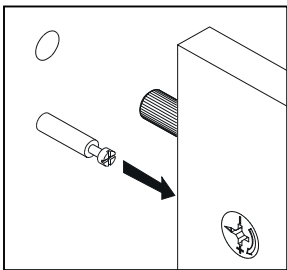


x2

15

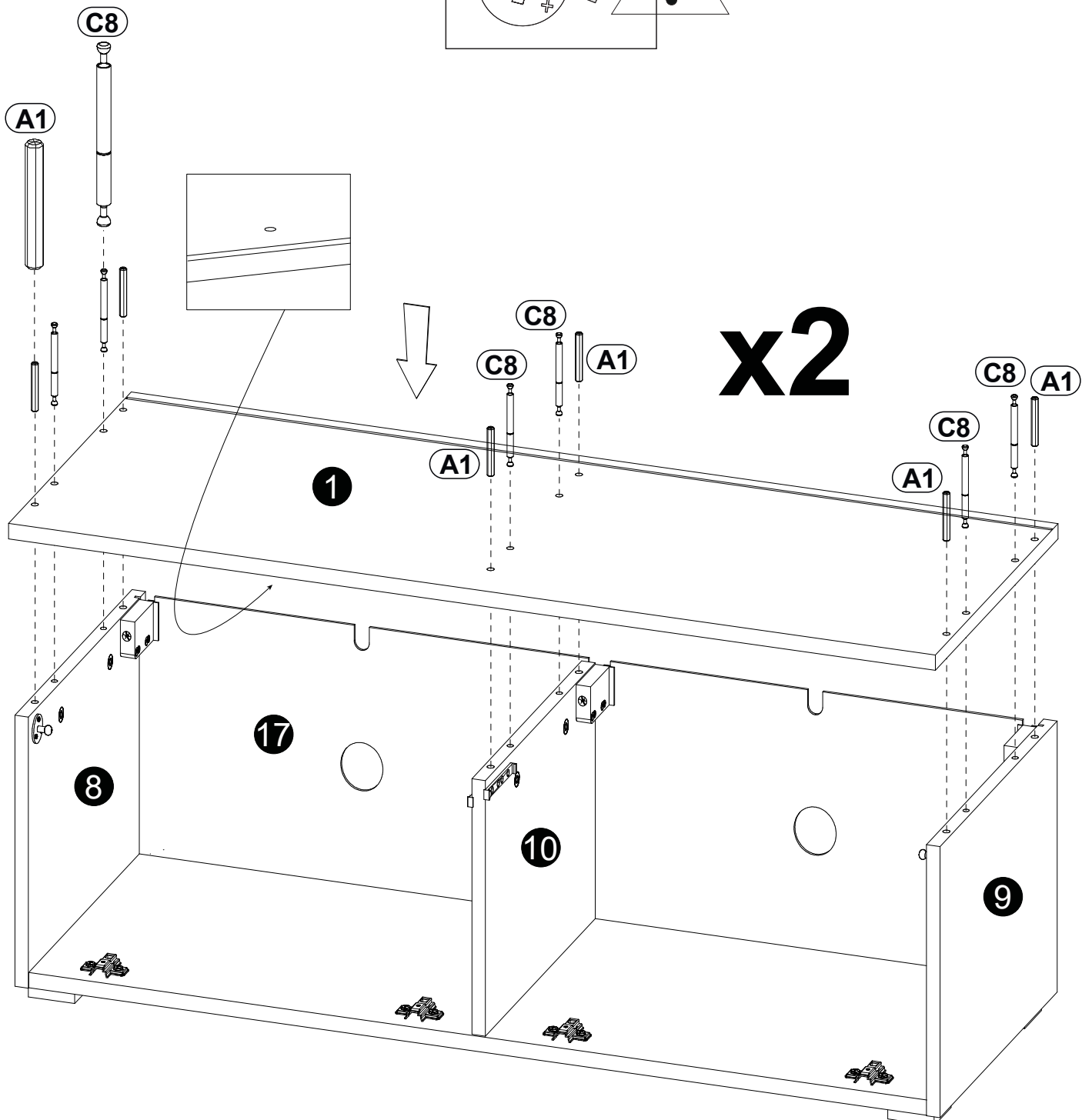
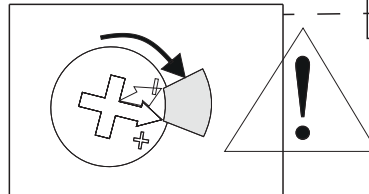
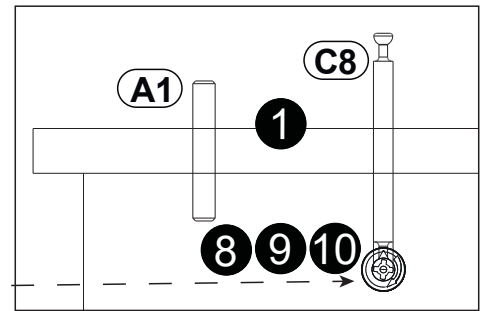
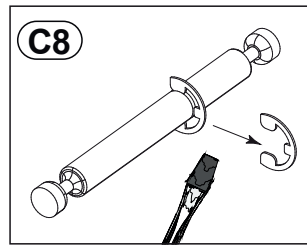


16

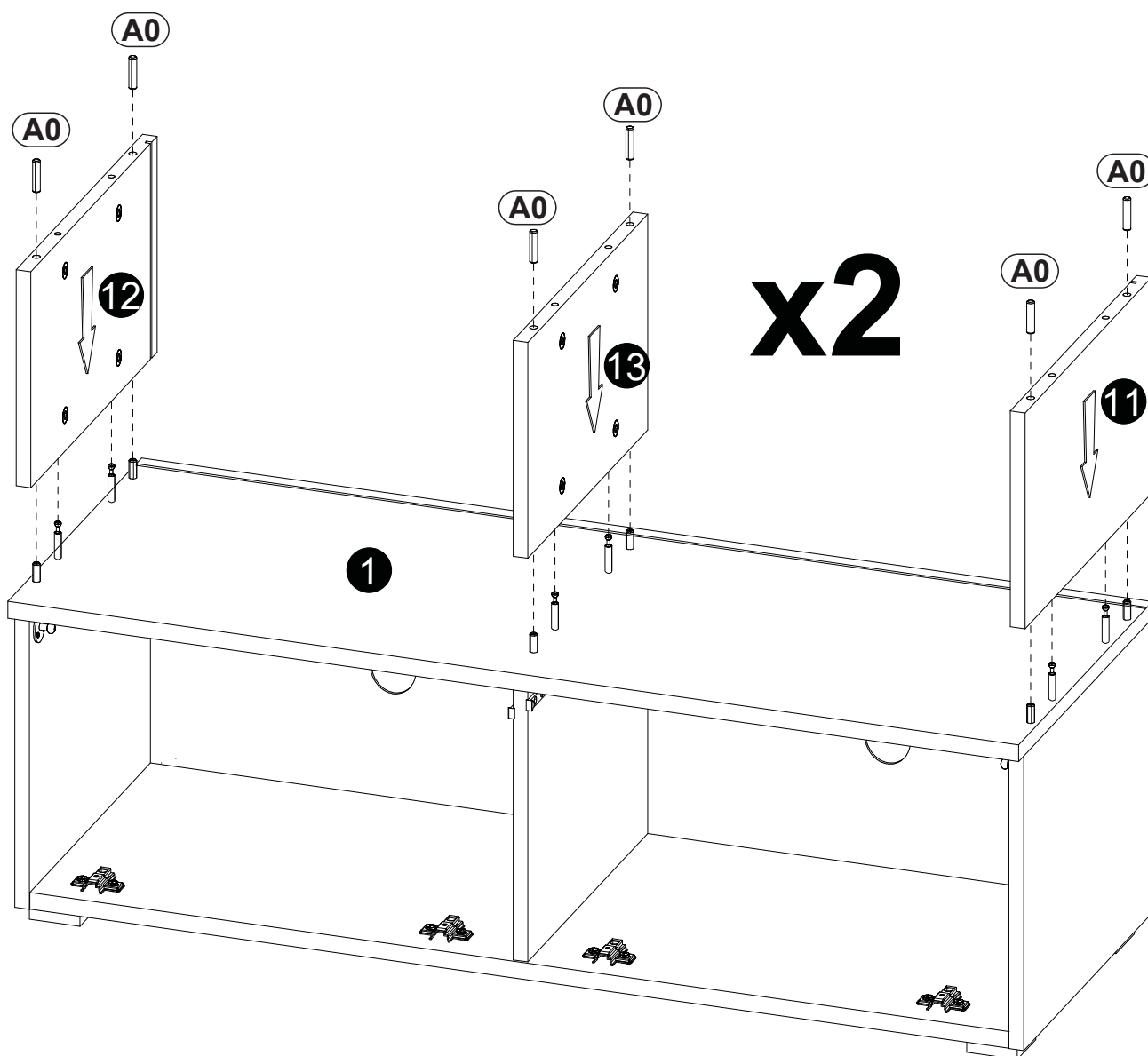
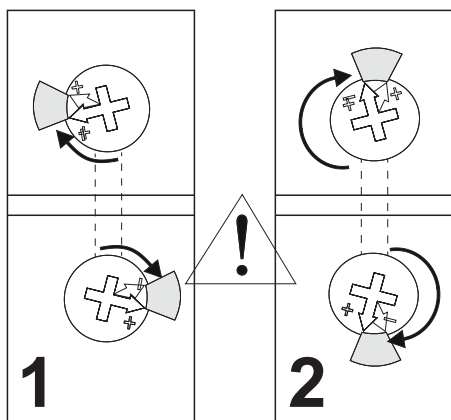
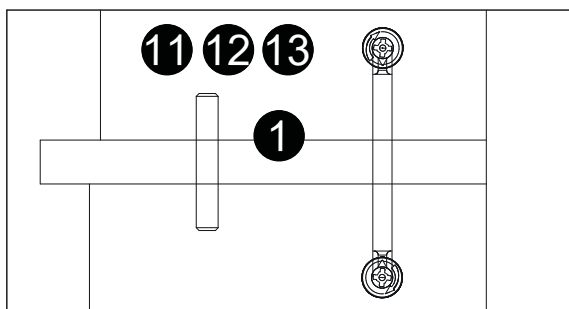
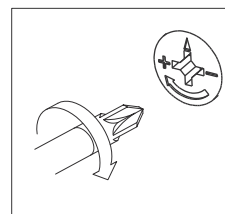
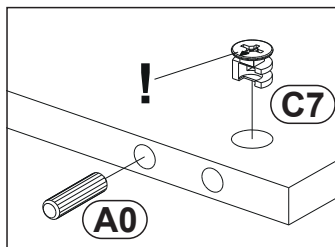
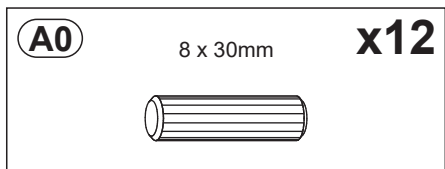


17

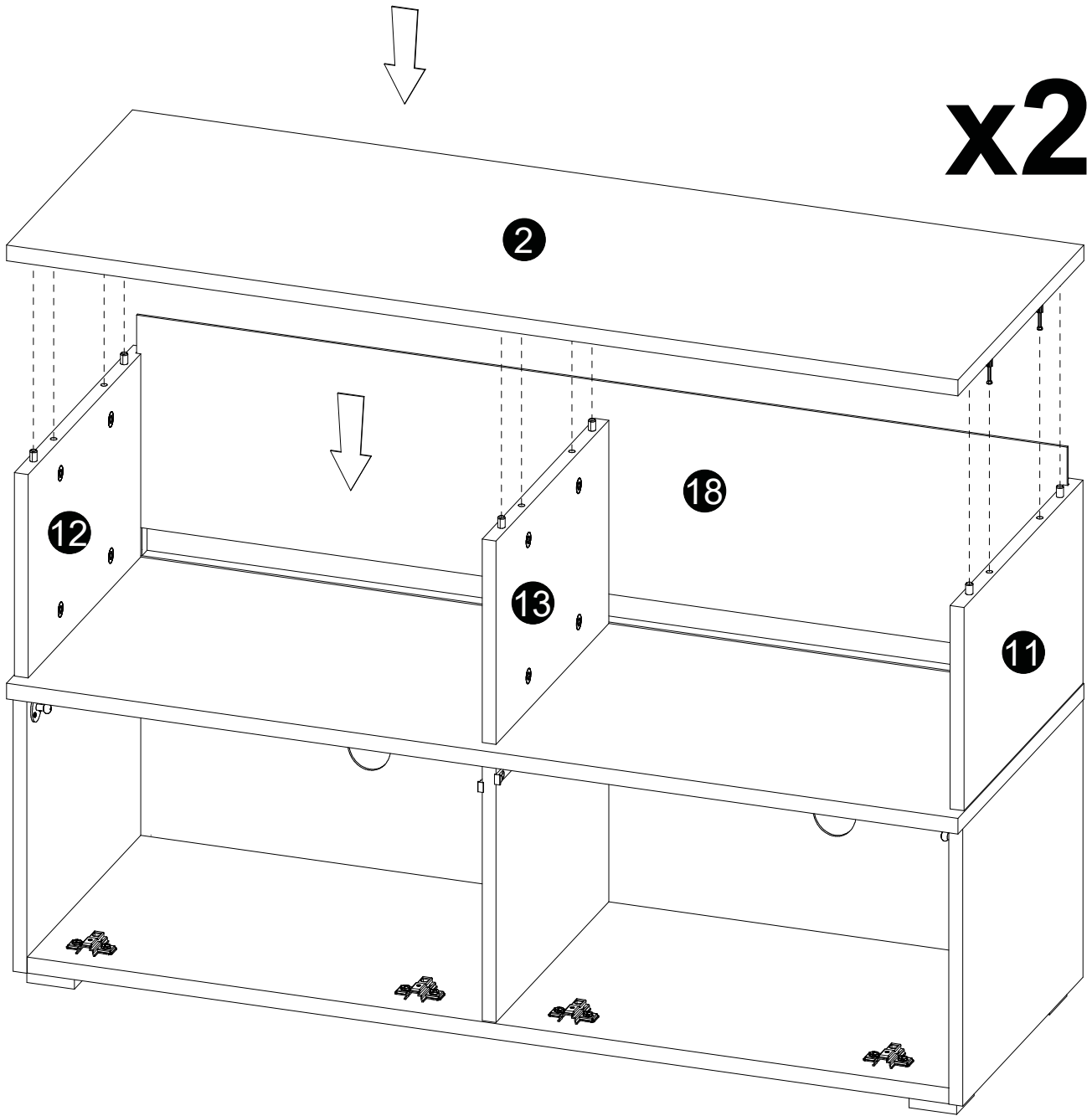
(C8) L-84mm x12	(A1) 8 x 50mm x12
-------------------------------	---------------------------------



18




19

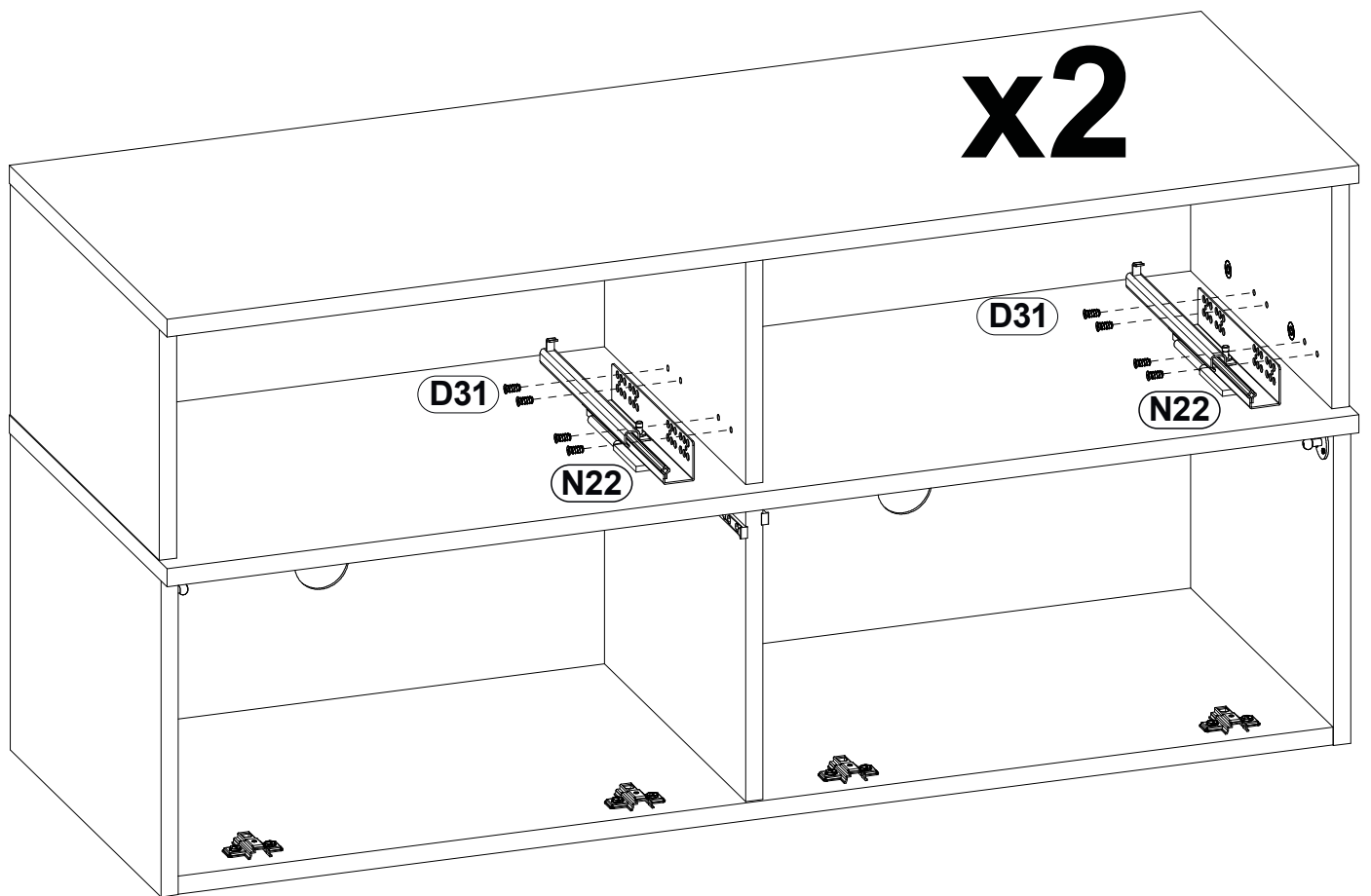
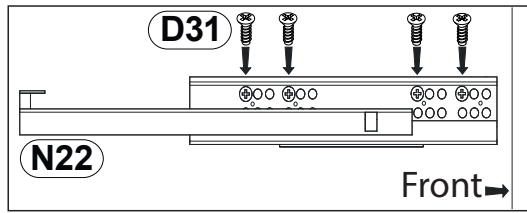


20

D31	6.3 x 13 mm	x16	N22	L-300	x4
------------	-------------	------------	------------	-------	-----------

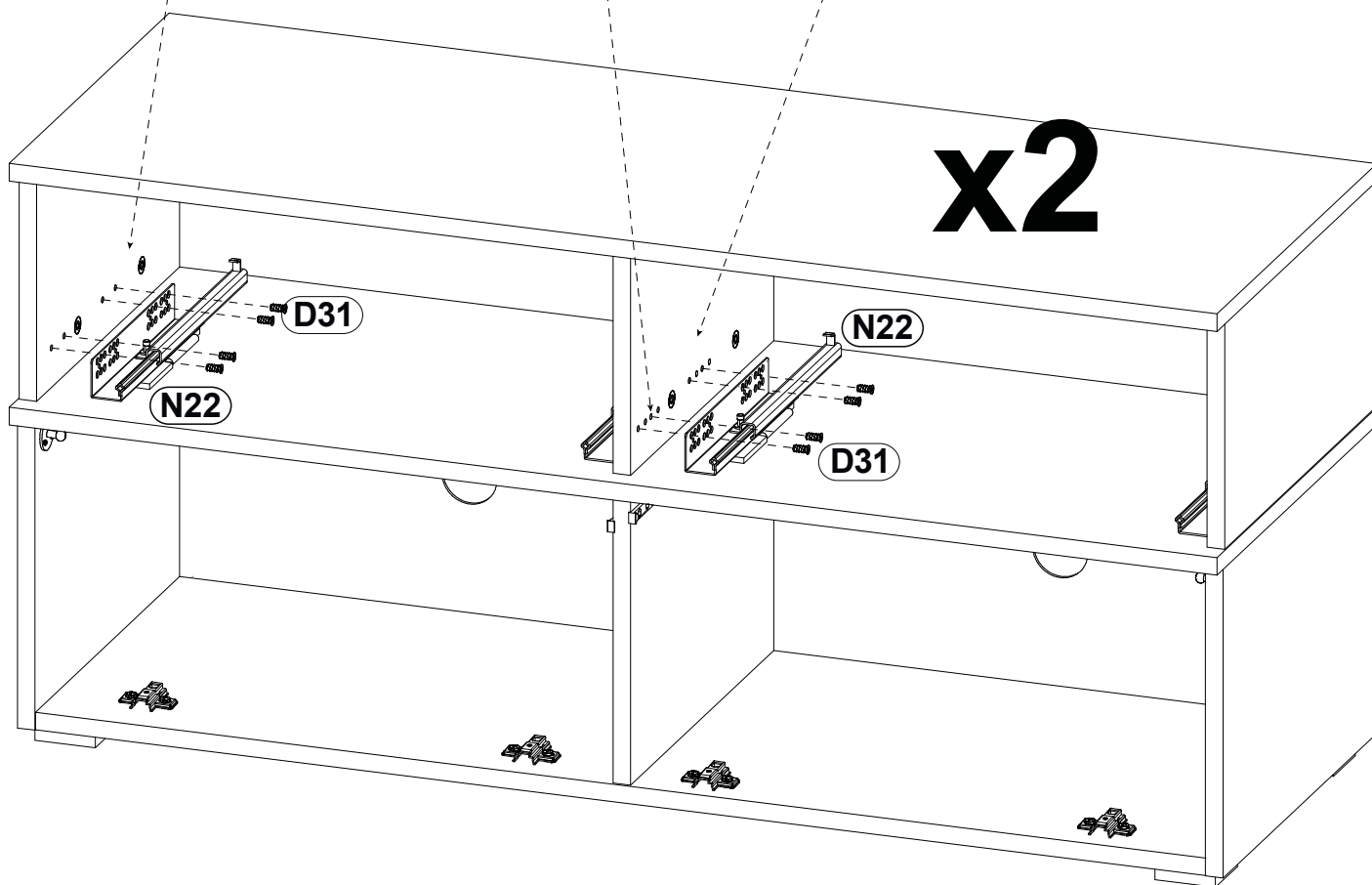
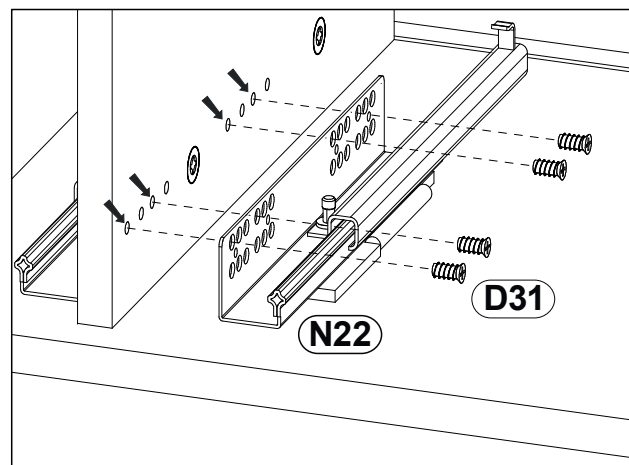
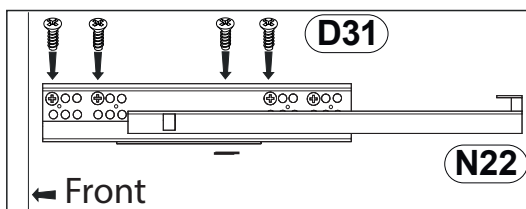
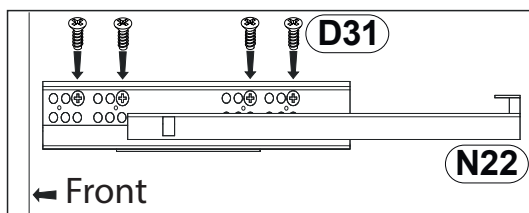


The image shows a screw with a cross-shaped head and a long L-shaped metal bracket. The screw is labeled 'D31' and '6.3 x 13 mm'. The bracket is labeled 'N22' and 'L-300'.



21

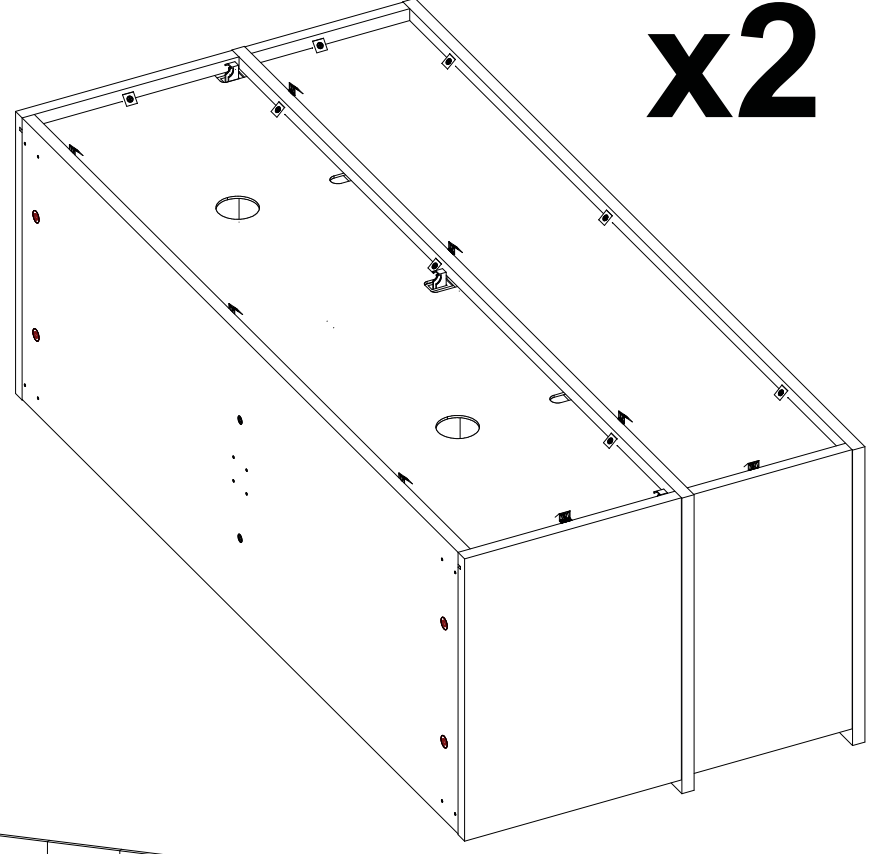
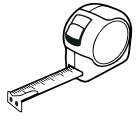
D31	6.3 x 13 mm	x16	N22	L-300	x4
------------	-------------	------------	------------	-------	-----------



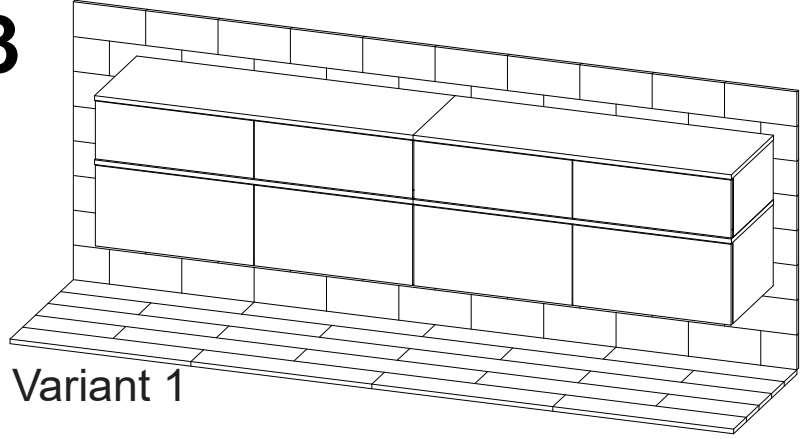
22

(M1)	x32	(D0)	3 x 15 mm	x32

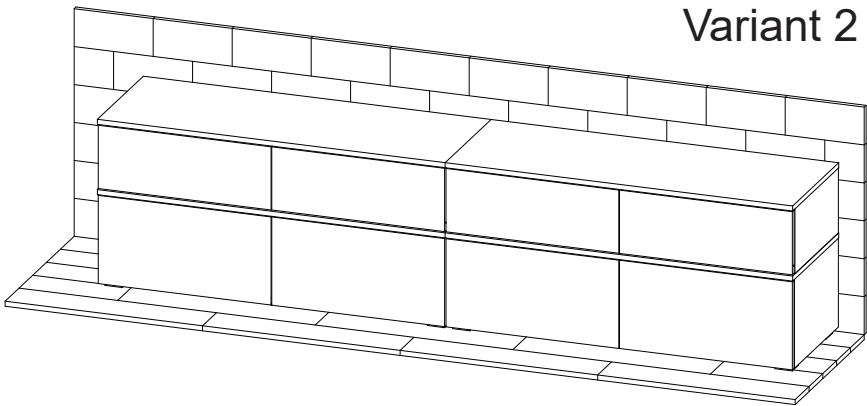
(M1)	(D0)	



23



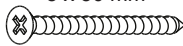

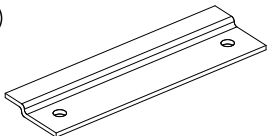
Variant 1

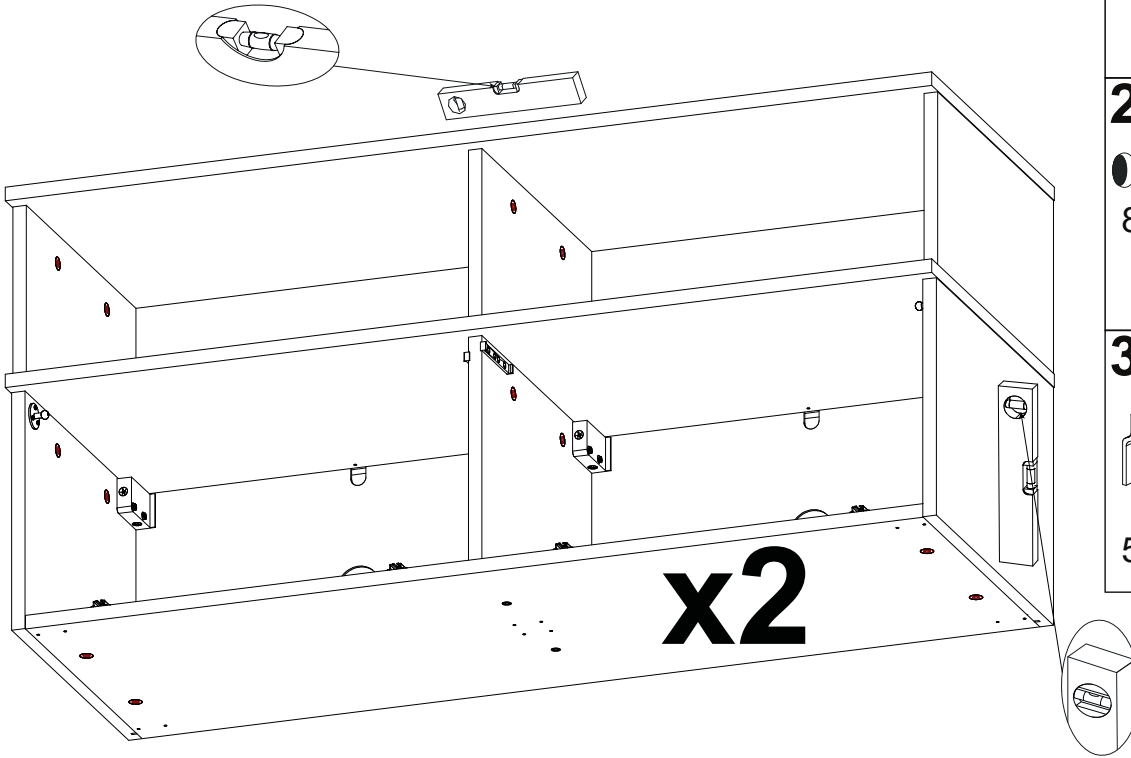
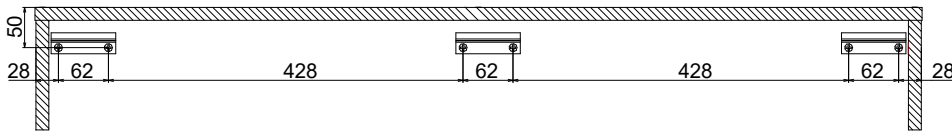
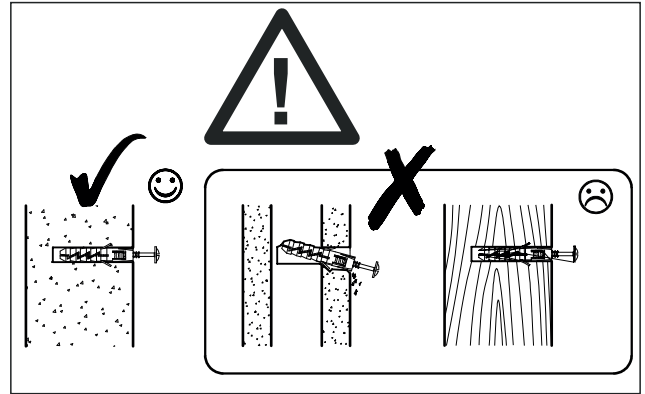
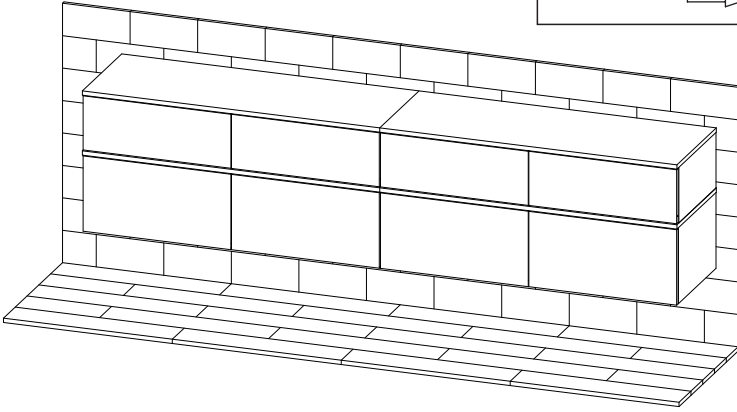


Variant 2

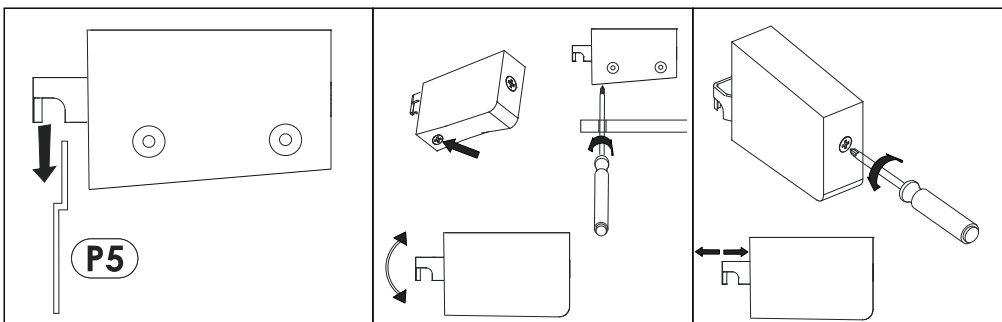


24 Variant 1

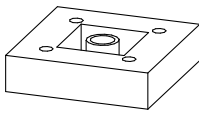
E0	5 x 50 mm  8 x 50 mm 	x12	P5 	x6
-----------	--	------------	--	-----------

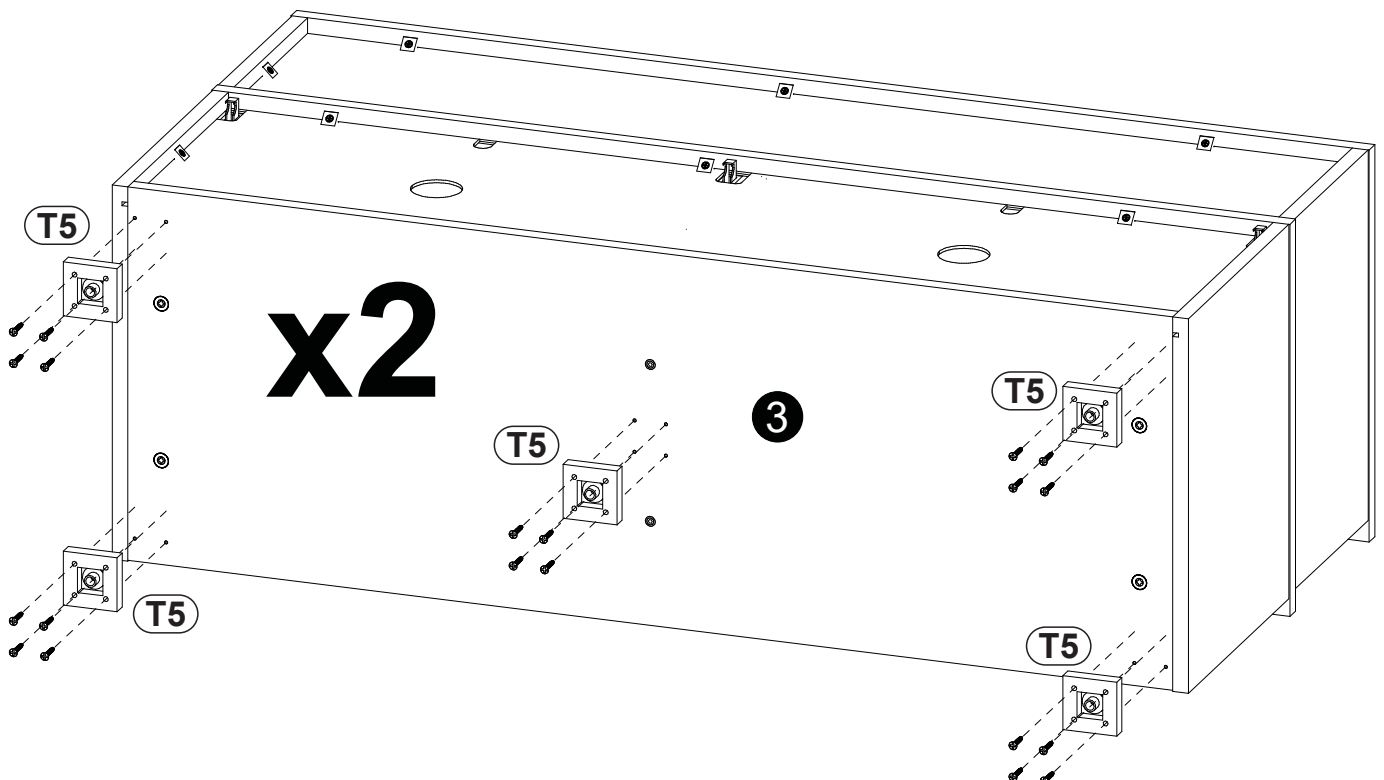
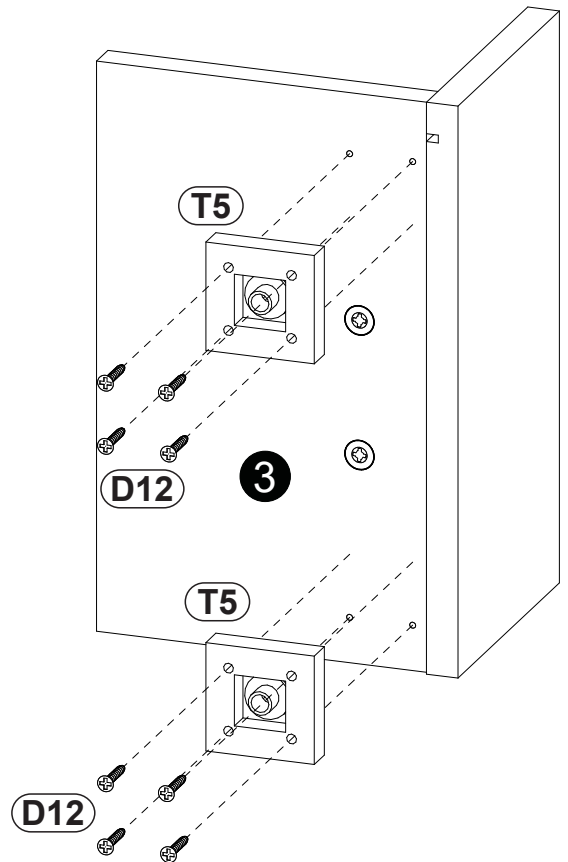
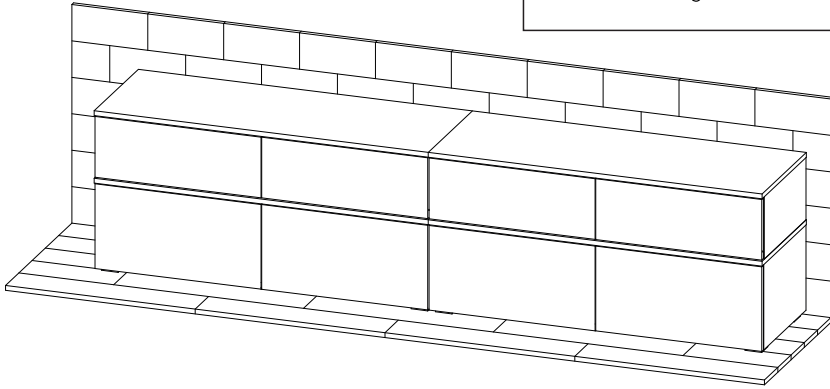


- 1 $\varnothing 8$
- 2 8 x 50 mm
- 3 **P5**
5 x 50 mm

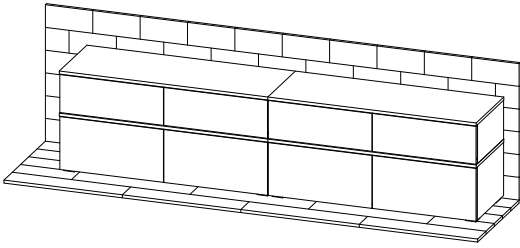


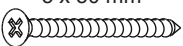

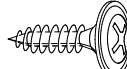
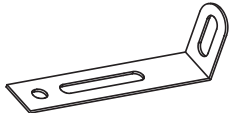
24 Variant 2

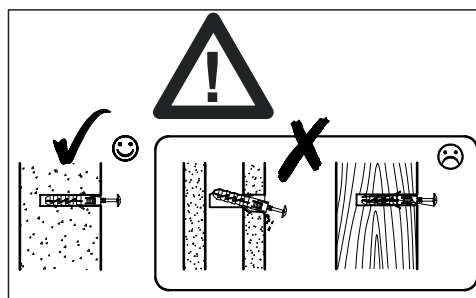
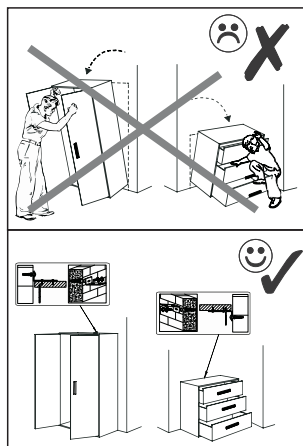
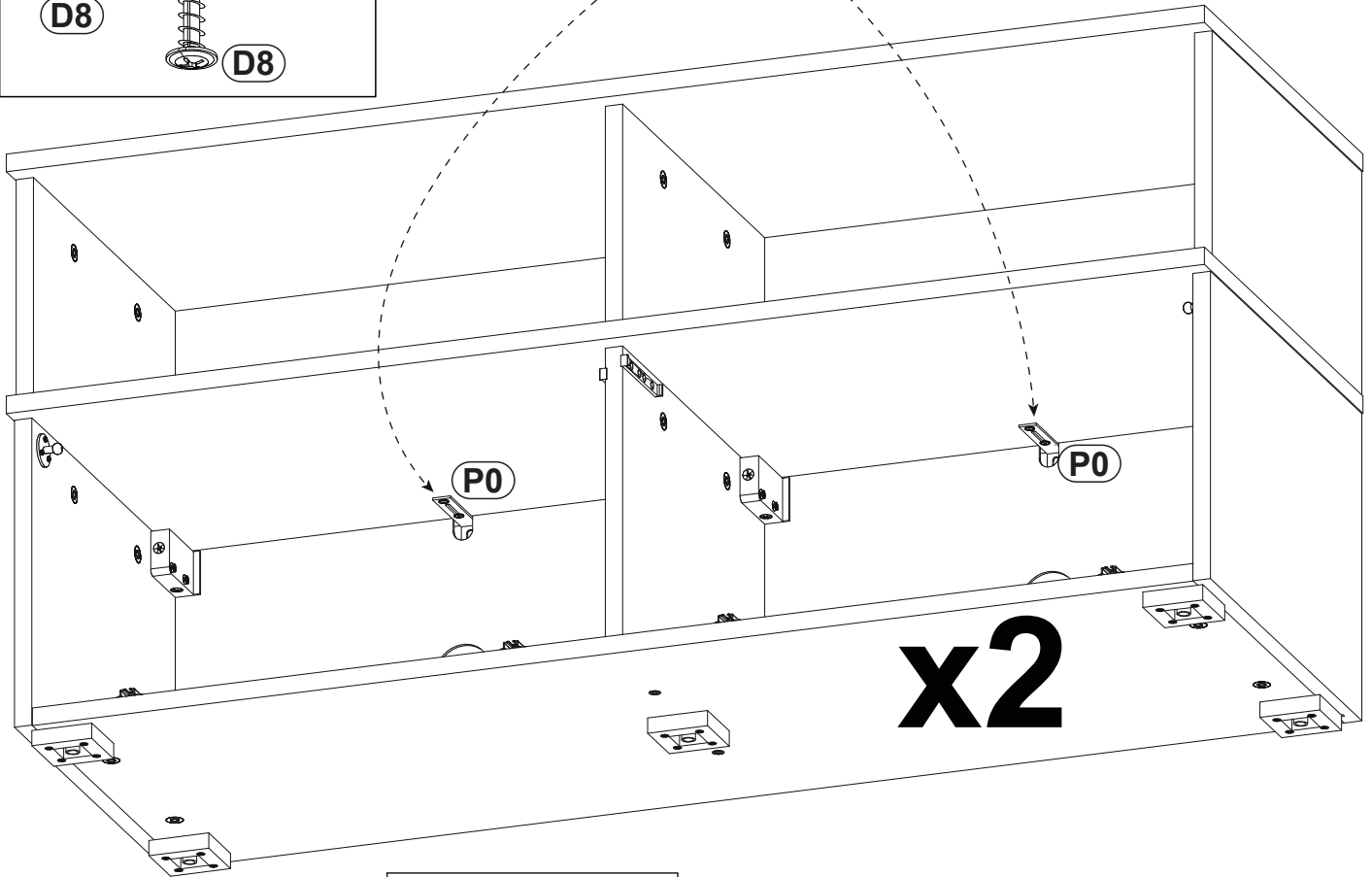
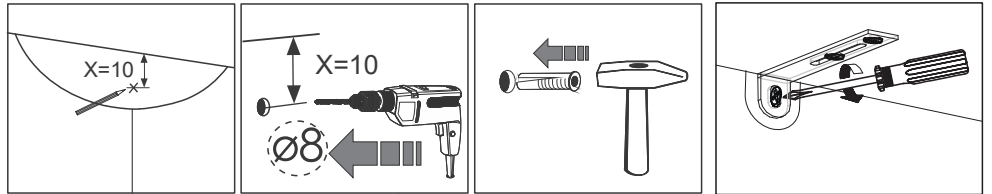
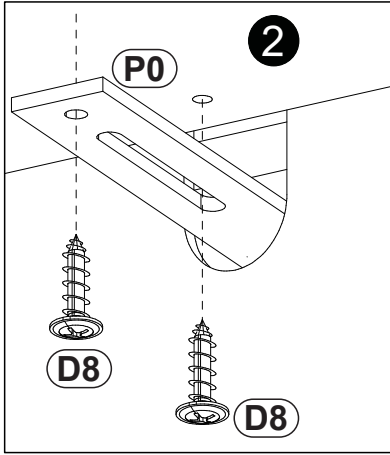
D12	3.5 x 25 mm	x40	T5		x10
------------	-------------	------------	-----------	---	------------



25 Variant 2



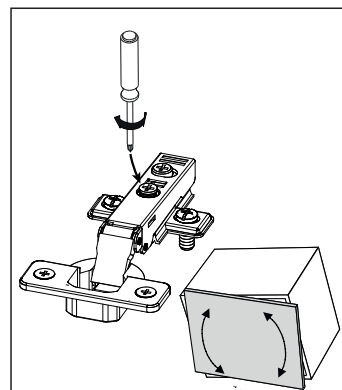
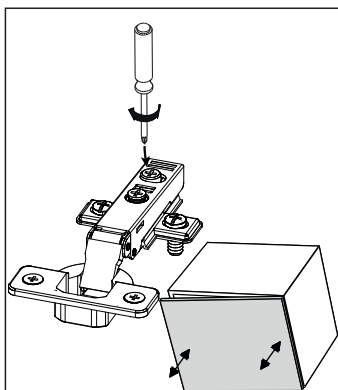
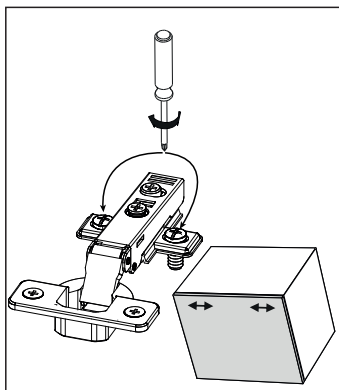
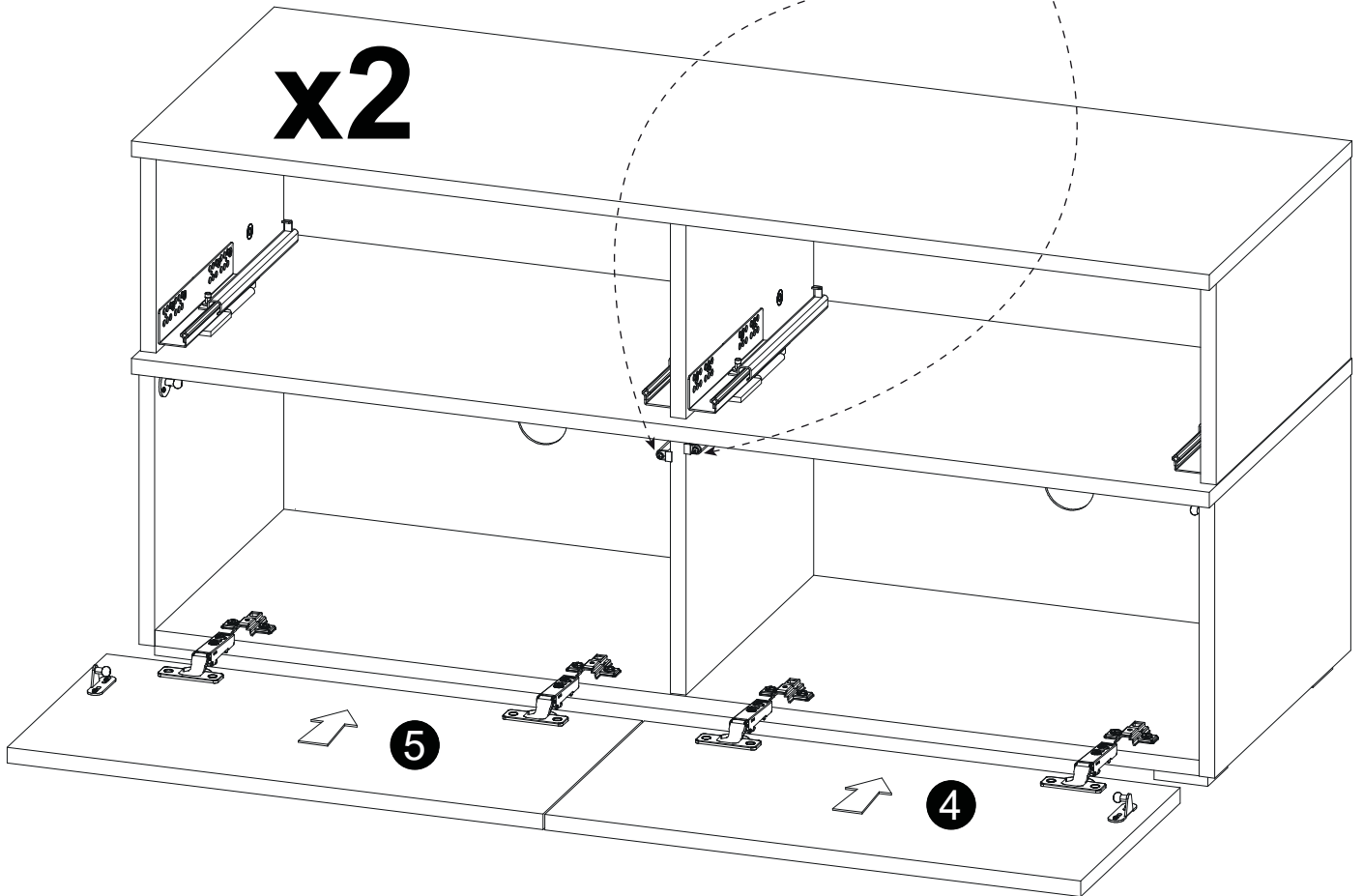
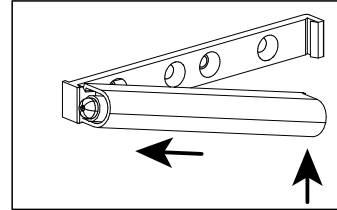
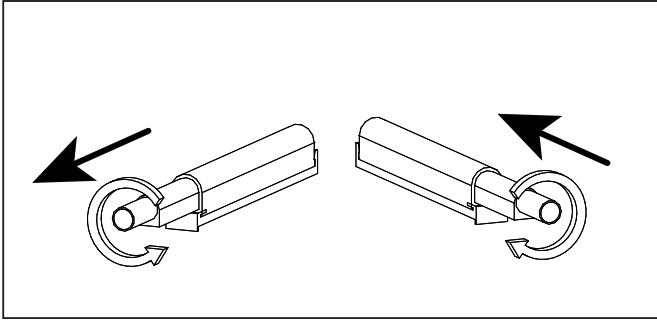
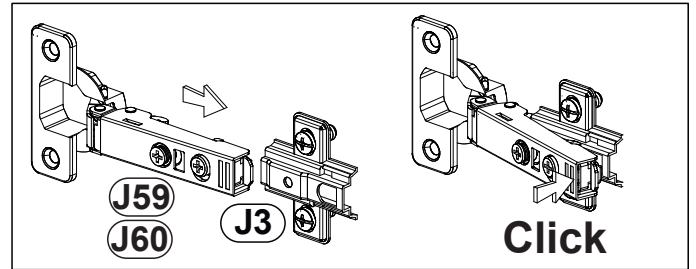
E0	5 x 50 mm  8 x 50 mm 	x4
D8	4.2 x 13 mm 	P0  x4



26

F7

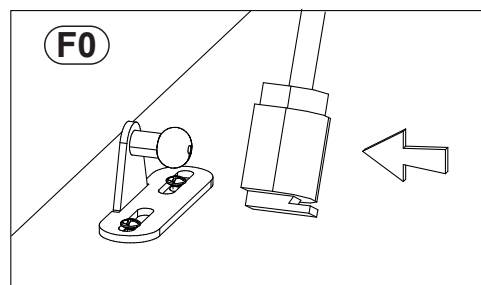
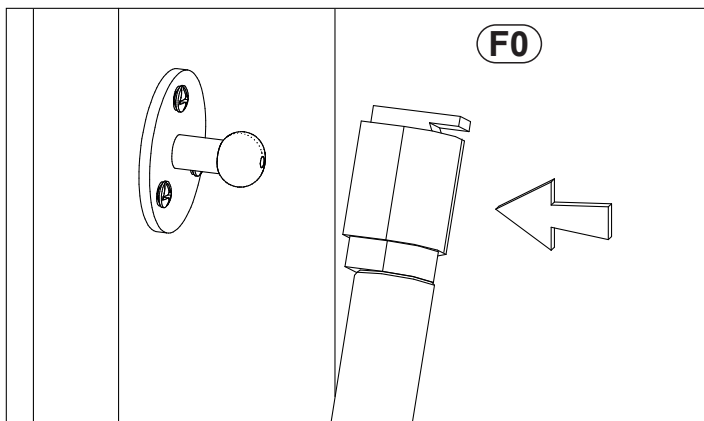
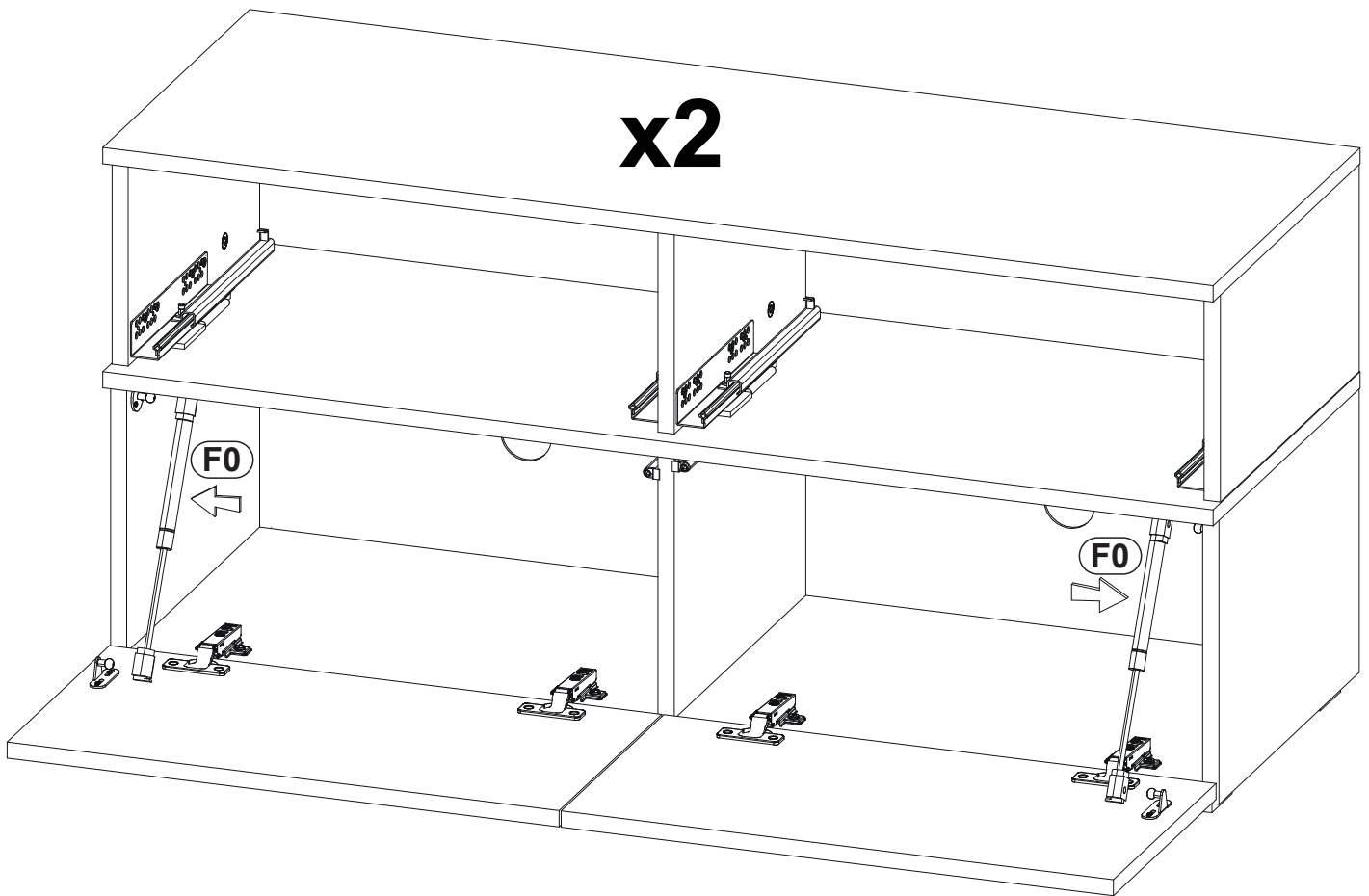
x4



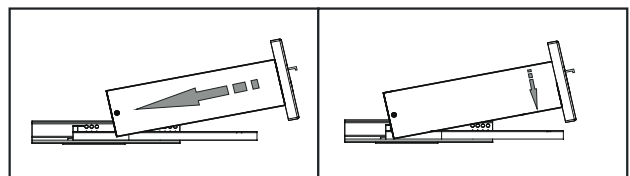
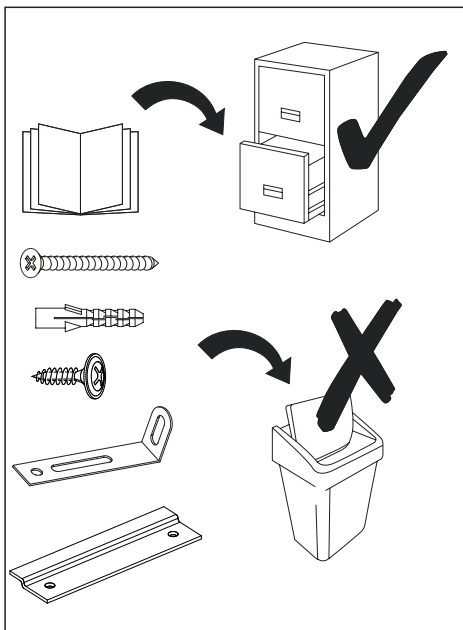
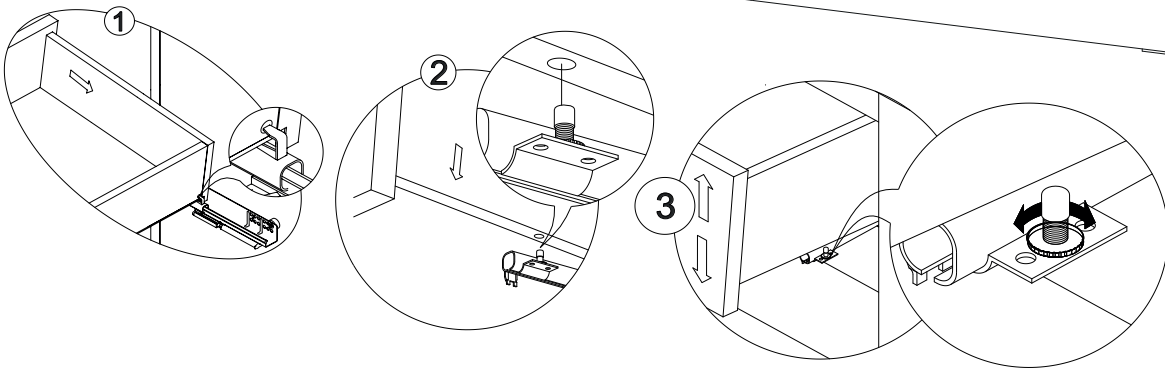
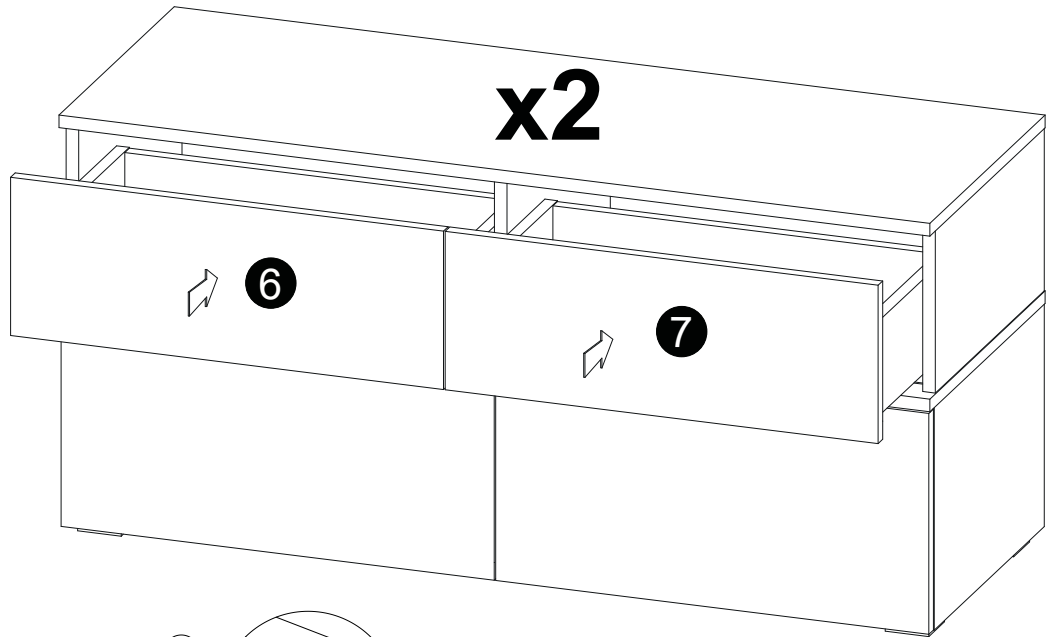
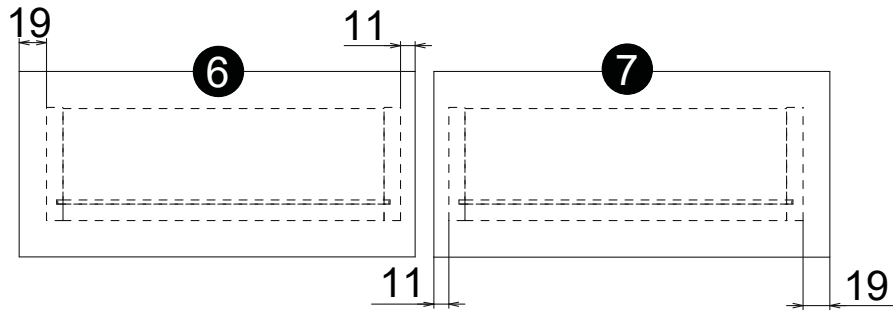
27

F0

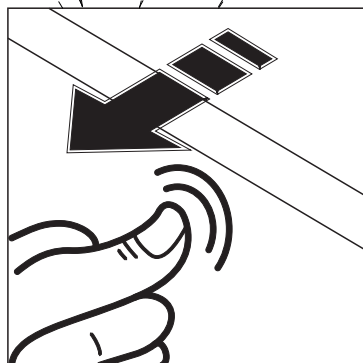
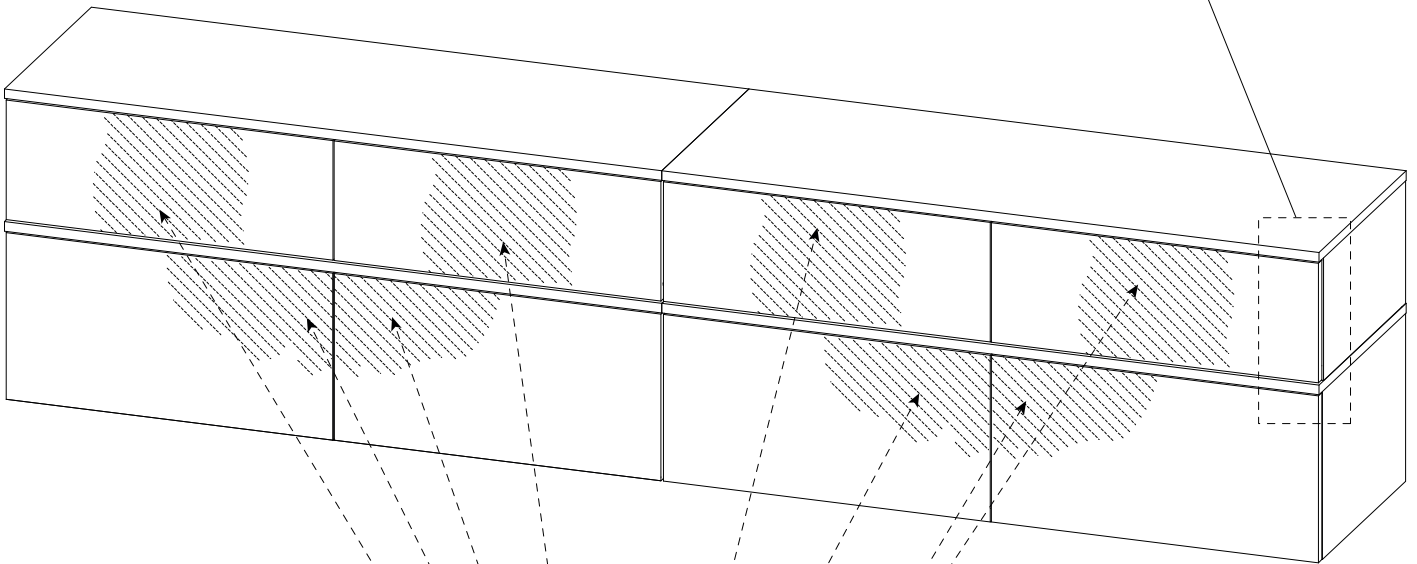
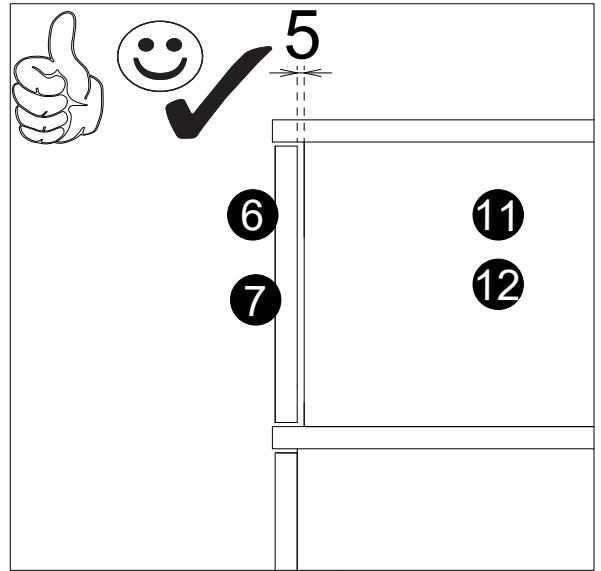
x4



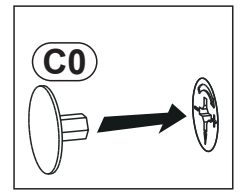
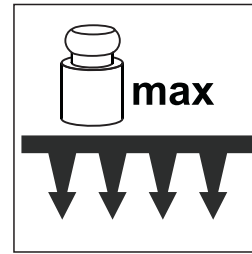
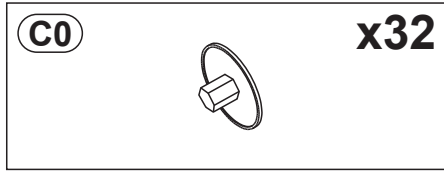
28



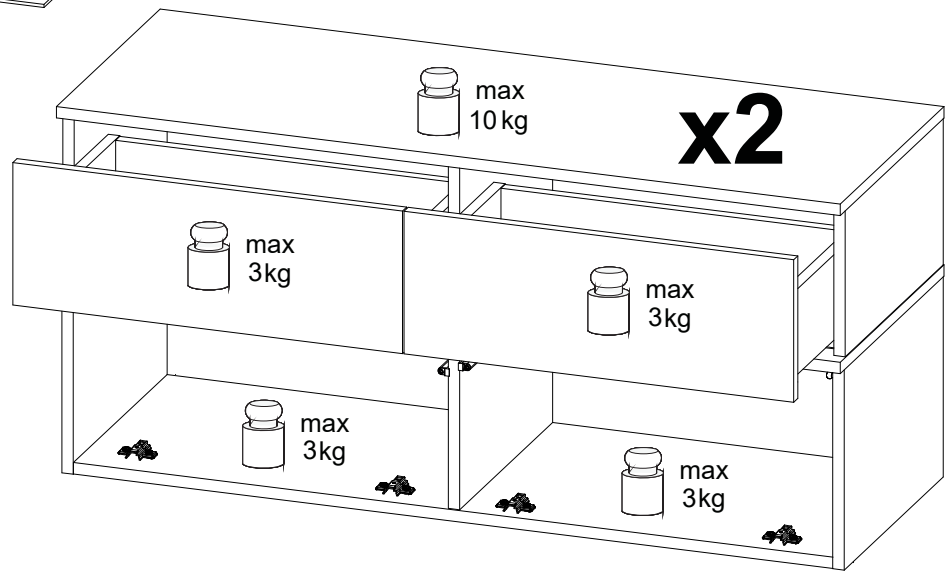
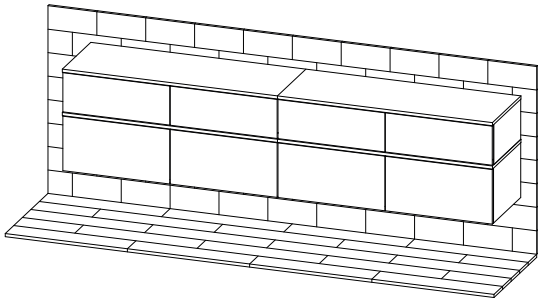
29



30



Variant 1



Variant 2

