

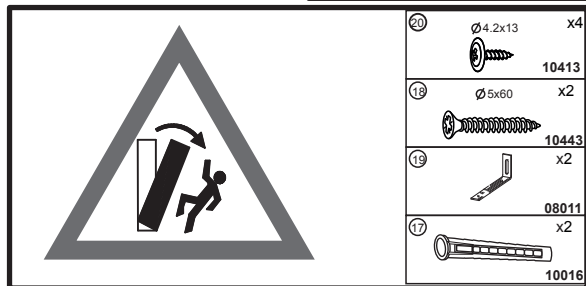
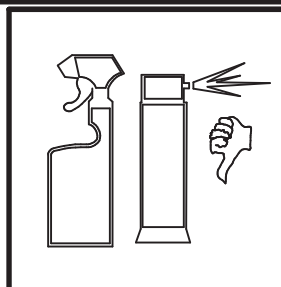
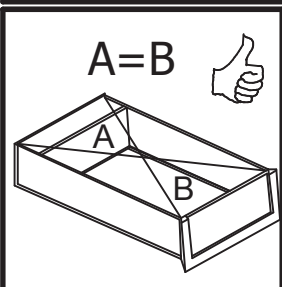
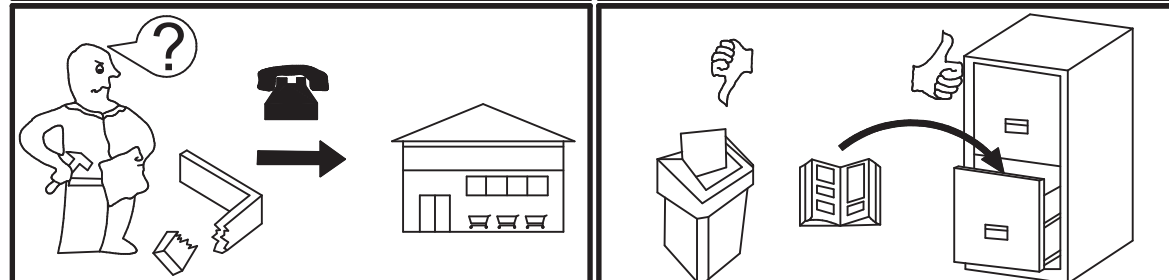
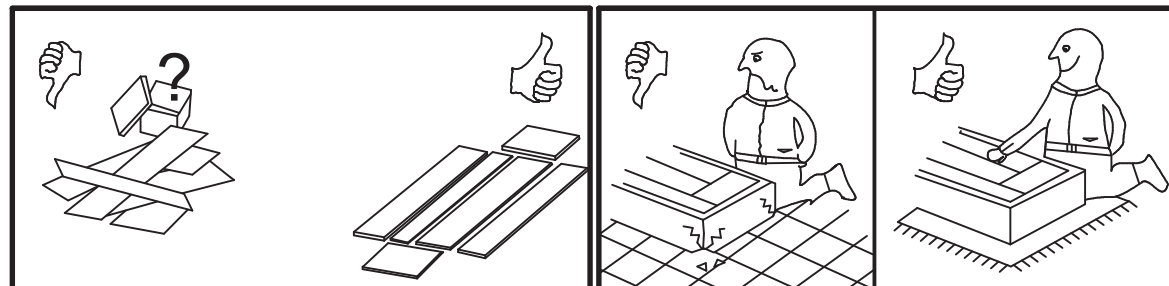
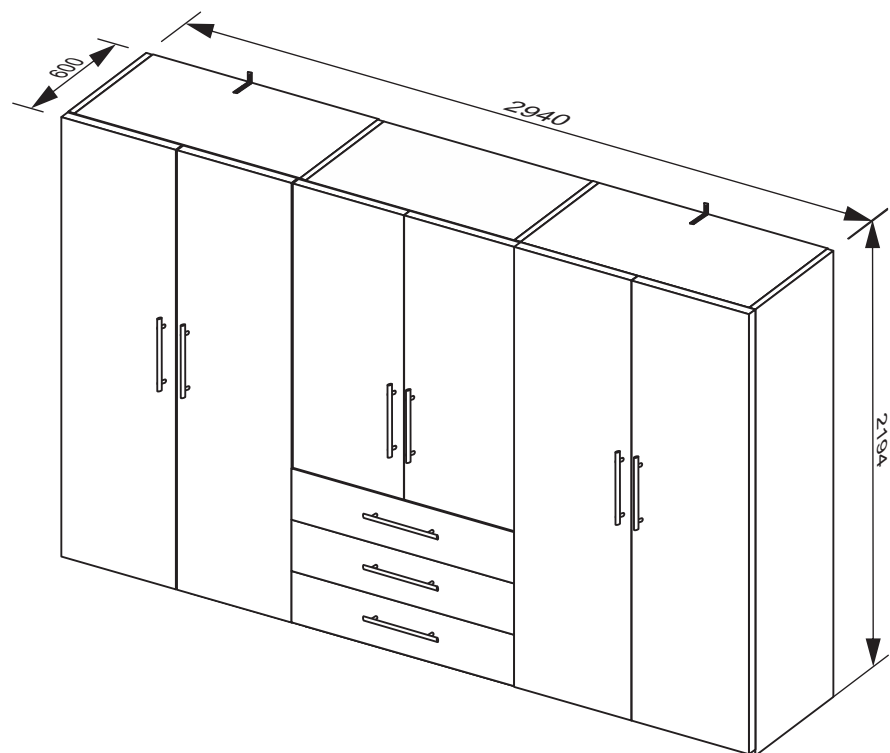




MAGNUM

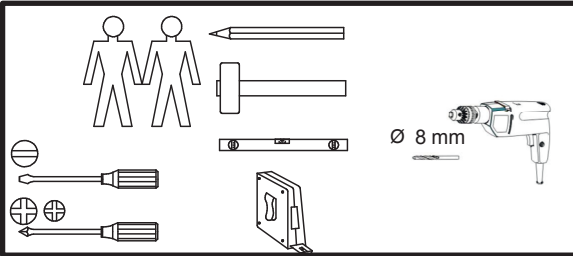
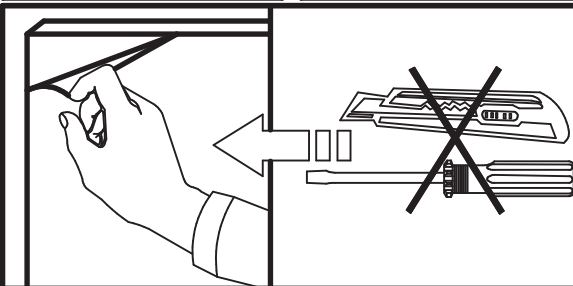
08850004/06

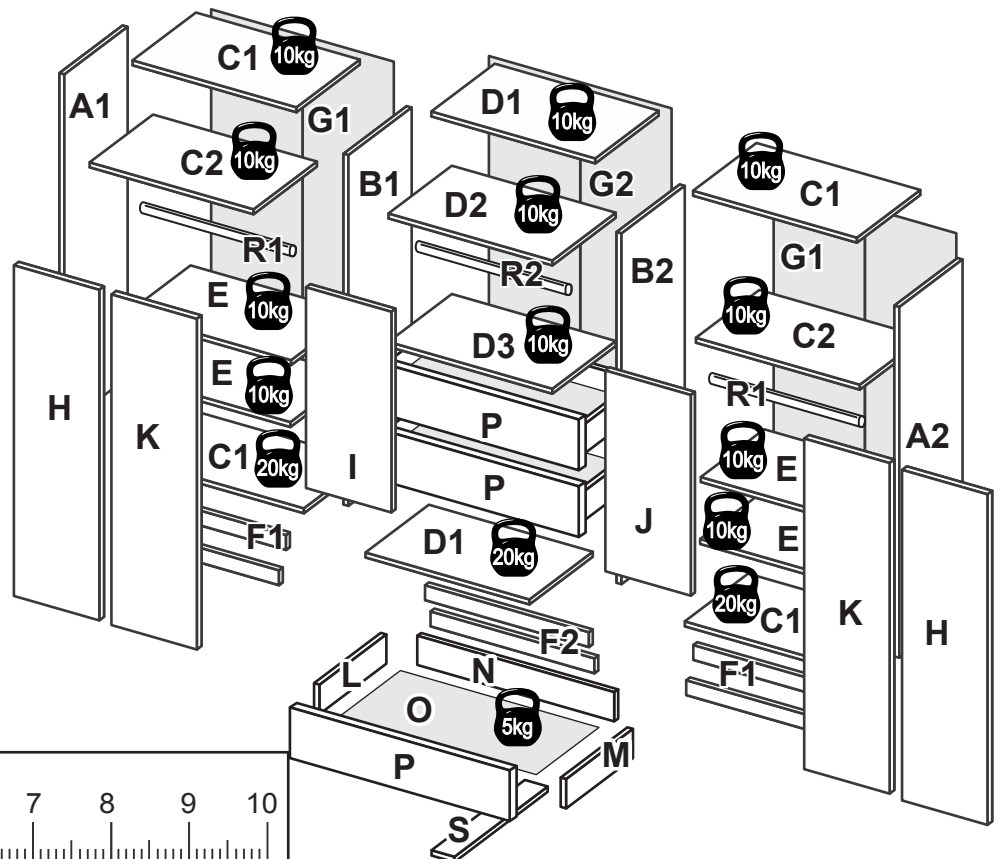
08850004/02

08850004/10



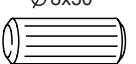

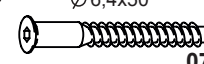
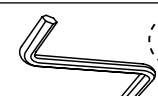
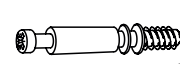

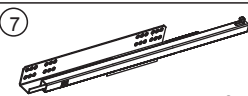
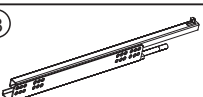
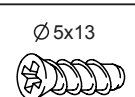
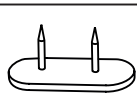
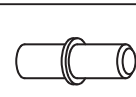
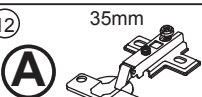
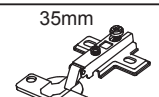
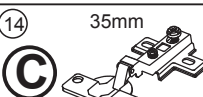
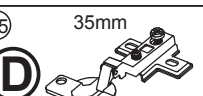
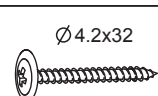
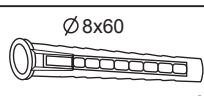
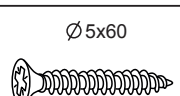
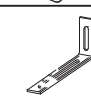
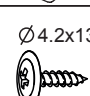
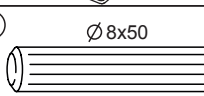
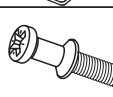
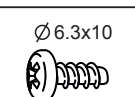
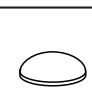
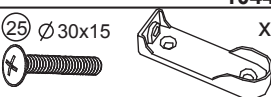
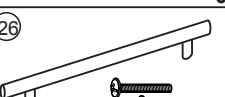
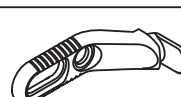
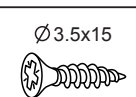

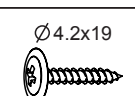
- 20 $\varnothing 4.2 \times 13$ x4 10413
- 18 $\varnothing 5 \times 60$ x2 10443
- 15  x2 08011
- 17  x2 10016



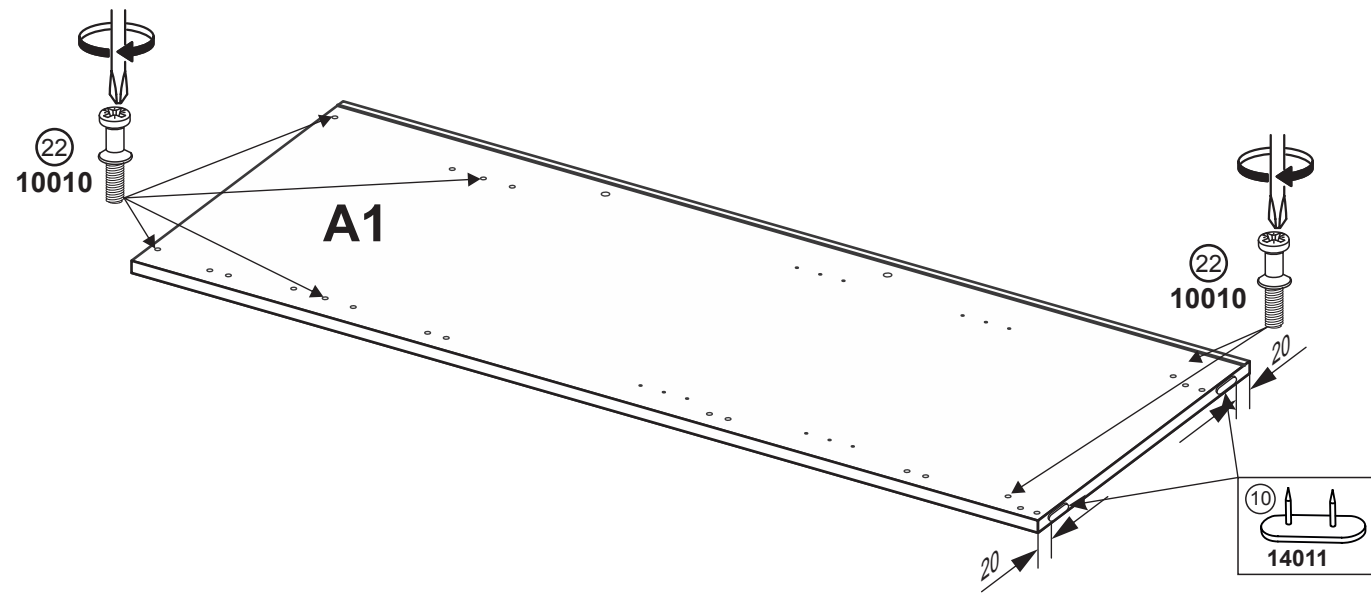


Teil	Maß	Stk	Colli
A1	- 2188 x 580 x 16	- x 1	1/9
A2	- 2188 x 580 x 16	- x 1	1/9
B1	- 2188 x 580 x 16	- x 1	2/9
B2	- 2188 x 580 x 16	- x 1	2/9
C1	- 956 x 580 x 16	- x 4	3/9
C2	- 956 x 566 x 16	- x 2	4/9
D1	- 964 x 580 x 16	- x 2	3/9,6/9
D2	- 964 x 566 x 16	- x 1	4/9
D3	- 964 x 566 x 16	- x 1	4/9
E	- 956 x 556 x 16	- x 4	5/9
F1	- 956 x 50 x 16	- x 4	4/9
F2	- 964 x 50 x 16	- x 2	4/9
G1	- 2114 x 964 x 3	- x 2	7/9,8/9
G2	- 2114 x 972 x 3	- x 1	1/9
H	- 2155 x 486 x 18	- x 2	7/9
I	- 1423 x 486 x 18	- x 1	9/9
J	- 1423 x 486 x 18	- x 1	9/9
K	- 2155 x 486 x 18	- x 2	8/9
L	- 450 x 130 x 16	- x 3	6/9
M	- 450 x 130 x 16	- x 3	6/9
N	- 924 x 116 x 16	- x 3	6/9
O	- 936 x 455 x 16	- x 3	6/9
P	- 976 x 240 x 18	- x 3	6/9
R1	- 949	- x 2	4/9
R2	- 957	- x 1	4/9
S	- 450 x 64 x 16	- x 3	6/9

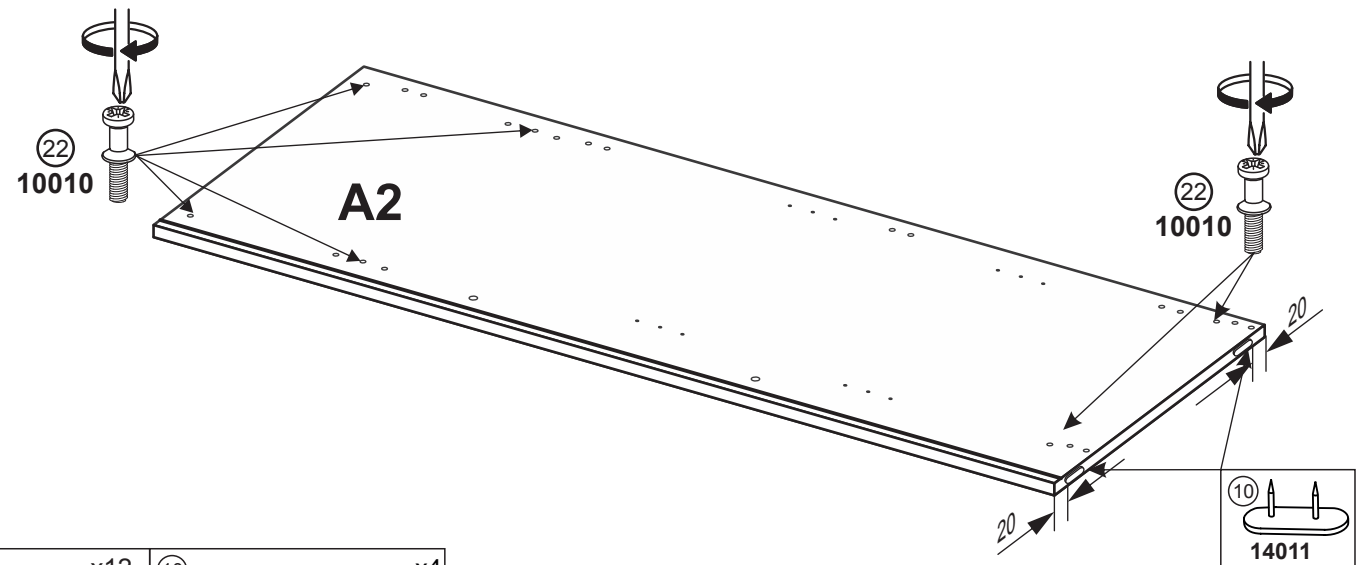


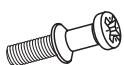
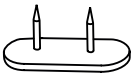
①  x38 21008	②  x44 10416	③  x6 07650	④  x1 07001	⑤  x6 11002	⑥  x6 11016	⑦  x3 05629
⑧  x3 05630	⑨  x24 10513	⑩  x8 14011	⑪  x16 16006	⑫  35mm x4 91267	⑬  35mm x4 91259	⑭  35mm x6 91301
⑮  35mm x8 91302	⑯  Ø4.2x32 x6 10432	⑰  Ø8x60 x2 10016	⑱  Ø5x60 x2 10443	⑲  x2 08011	⑳  Ø4.2x13 x4 10413	㉑  Ø8x50 x8 21850
㉒  x40 10010	㉓  Ø6.3x10 x56 10615	㉔  x18 01001	㉕  Ø30x15 x6 80333	㉖  x9 65788	㉗  x12 05030	㉘  Ø3.5x15 x24 10315
㉙  x6 00212	⑳  Ø4.2x19 x12 10419					

1

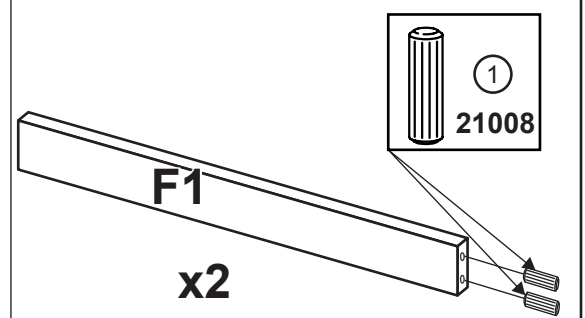
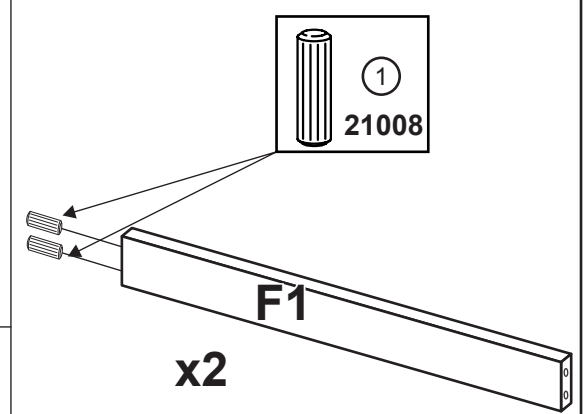
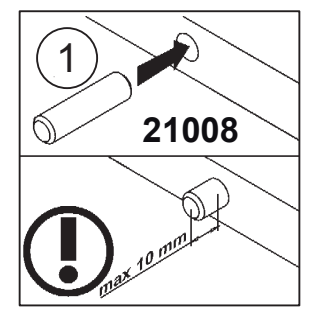


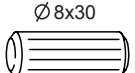
2

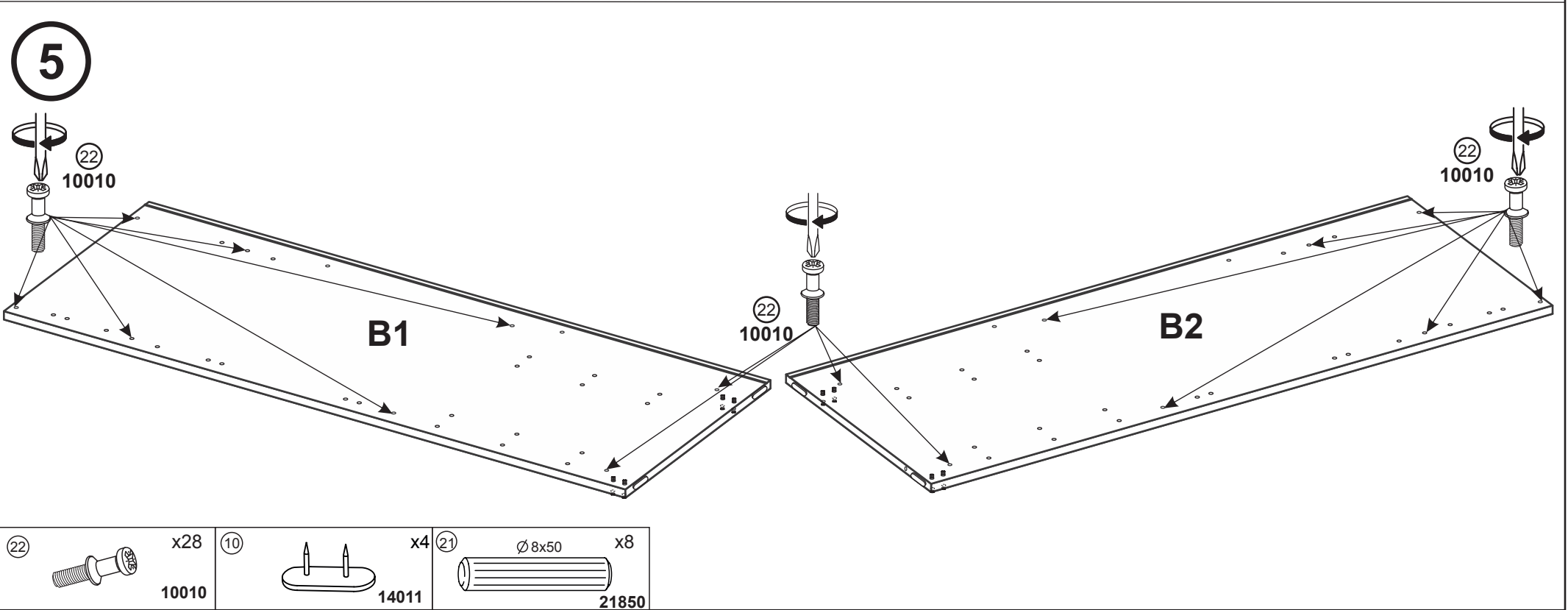
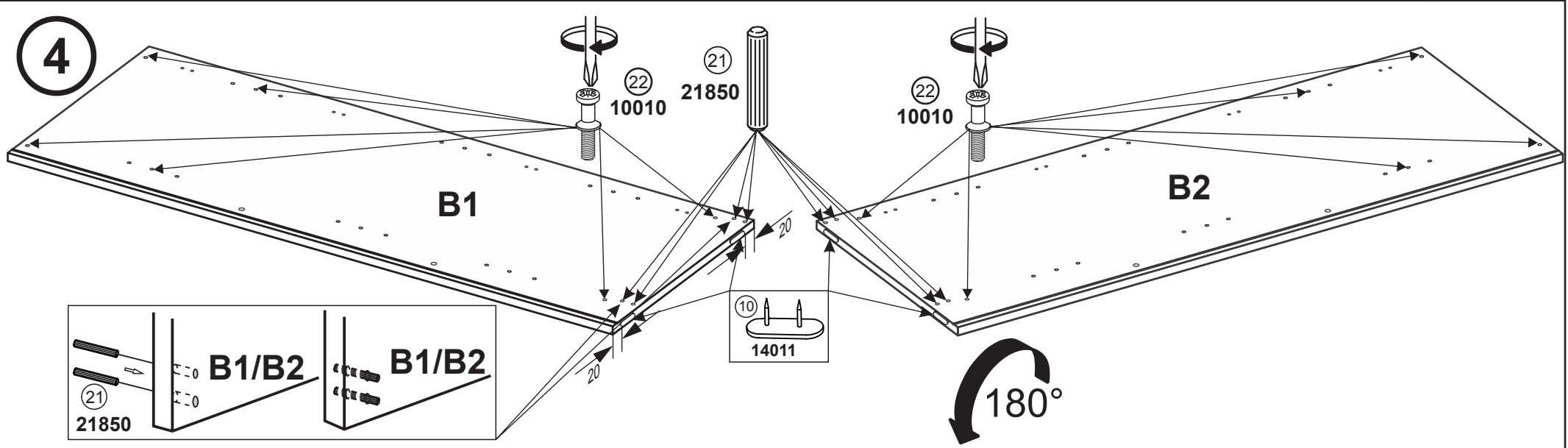


- (22)  x12
10010
- (10)  x4
14011

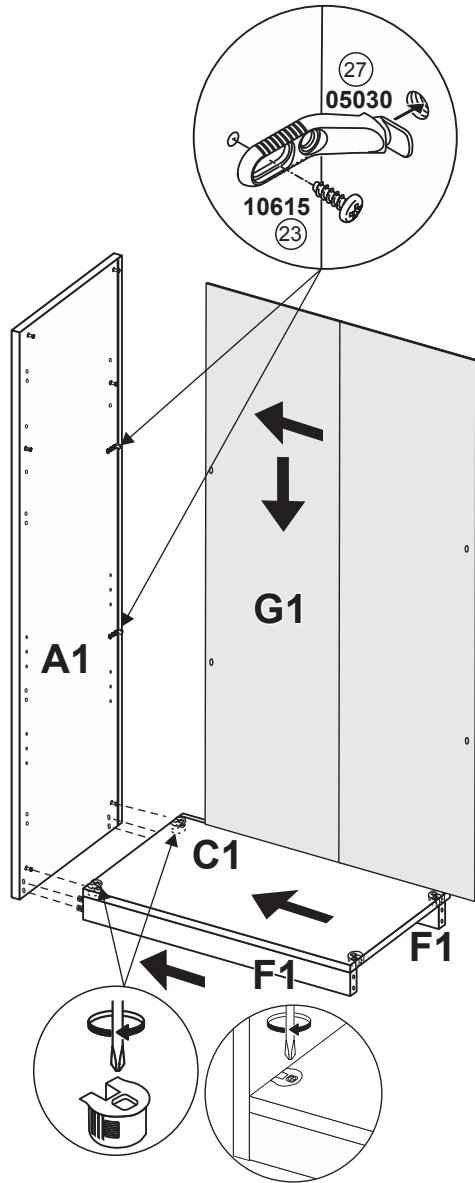
3



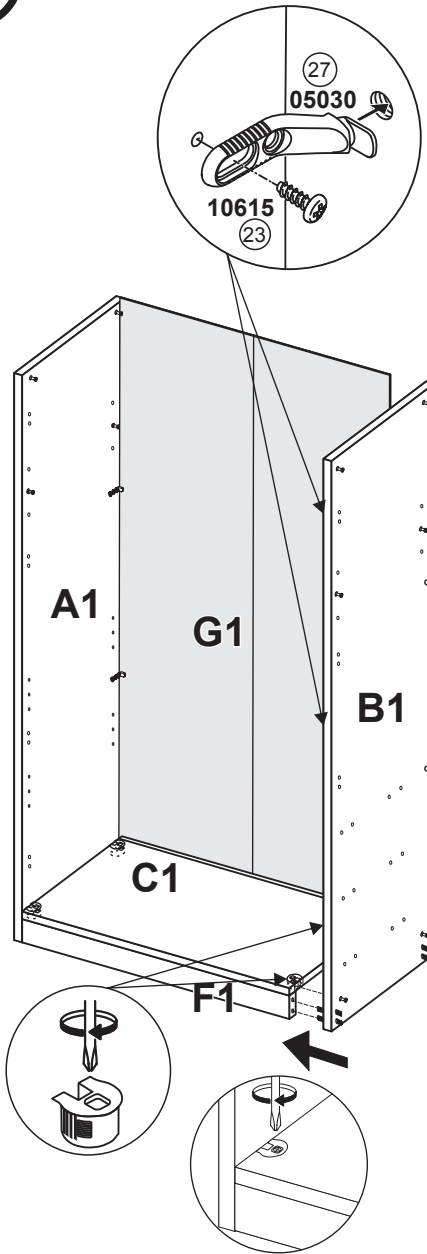
- (1)  Ø8x30 x8
21008



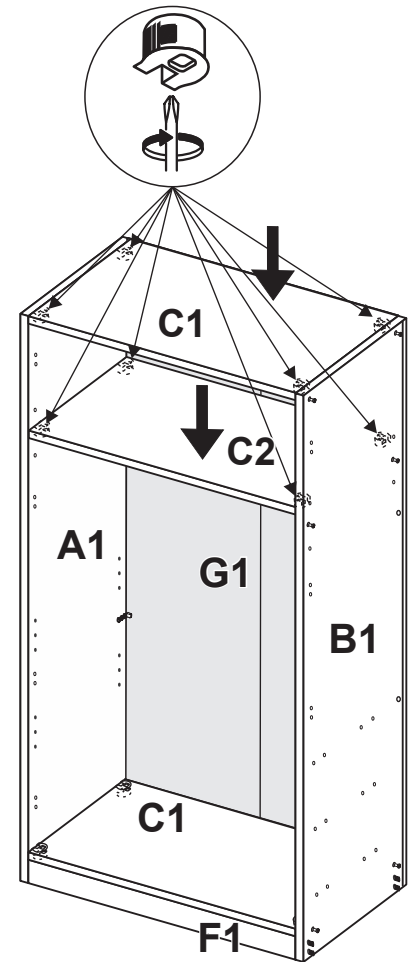
6



7

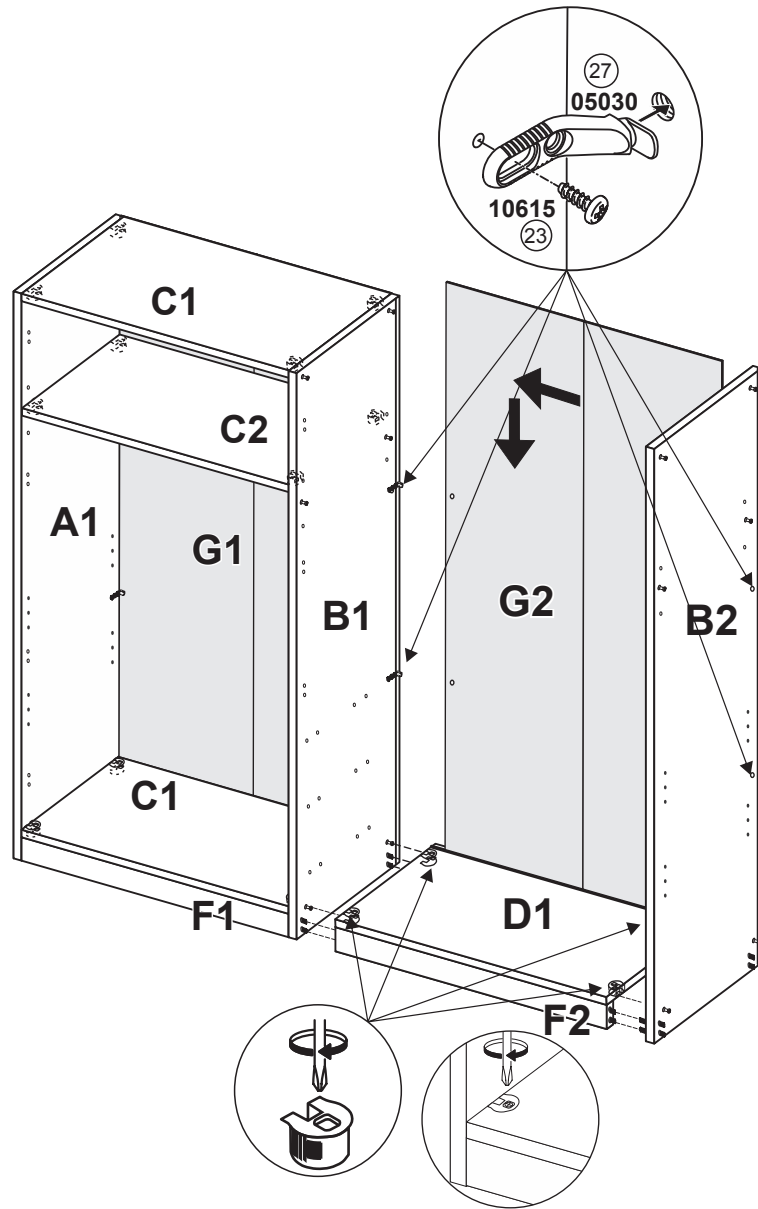


8

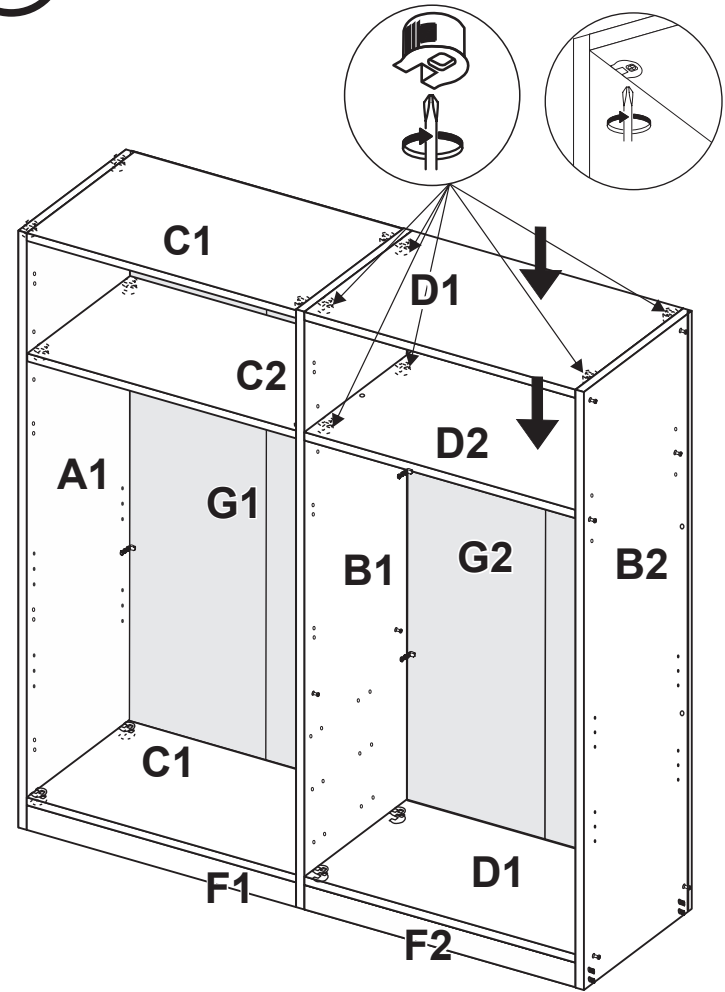


	x4		x4
05030		10615	

9

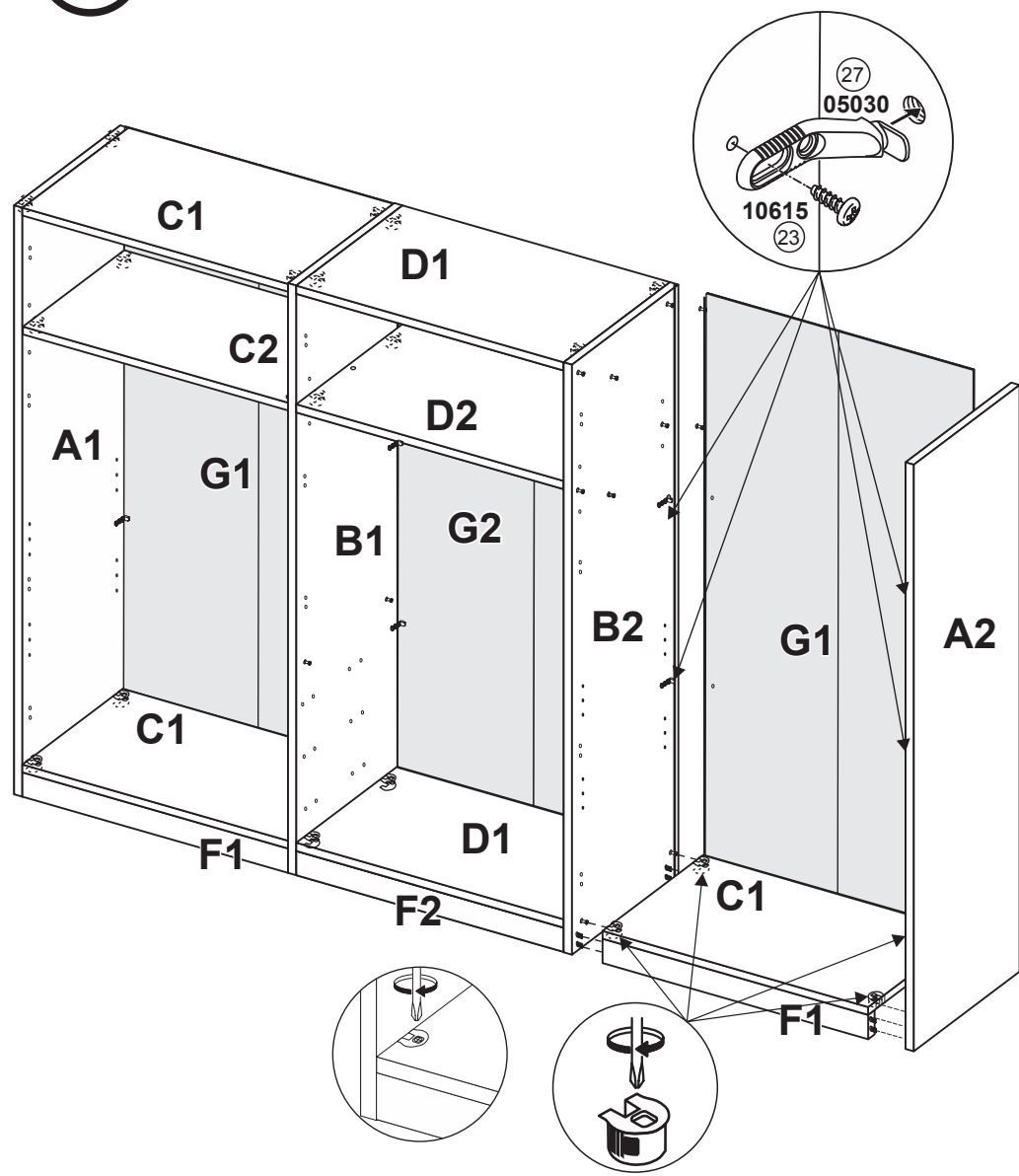


10

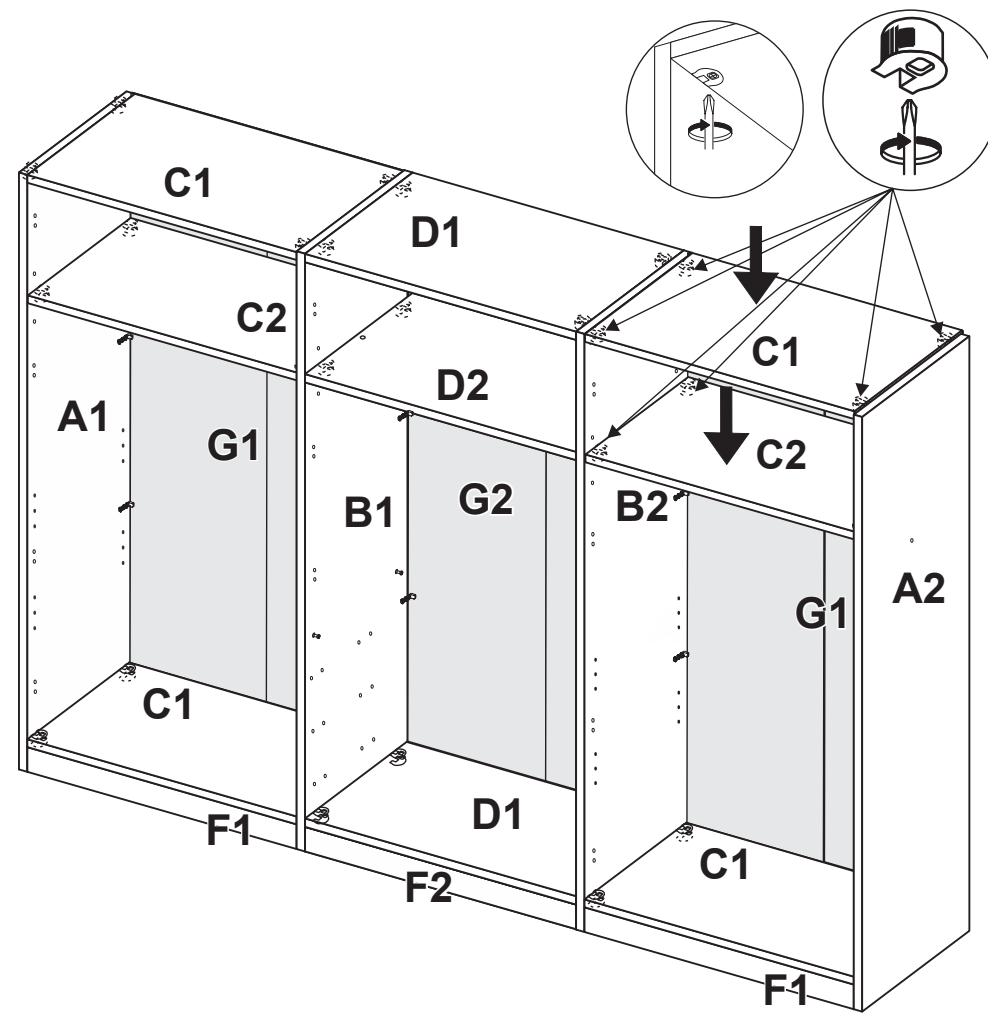


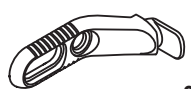
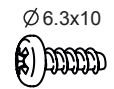
<p>(27) x4</p> <p>05030</p>	<p>(23) $\varnothing 6.3 \times 10$ x4</p> <p>10615</p>
-----------------------------	--

11

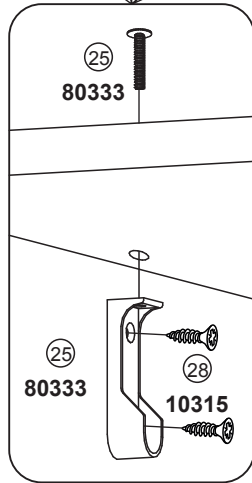
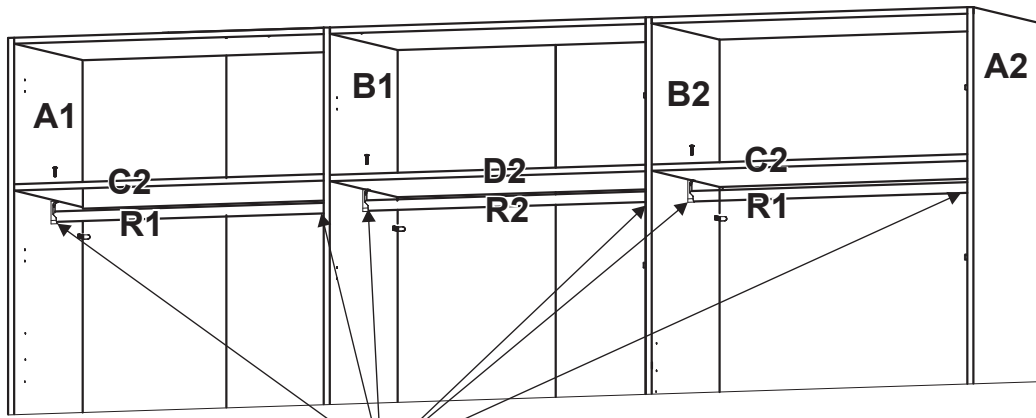


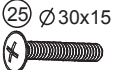
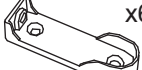


12









	x4		x4
05030		10615	

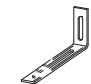

13

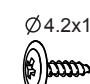



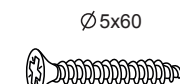

- 
(25) Ø30x15
x6
- 
80333
- 
(28) Ø3.5x15
x12
- 
10315



- 
(7)
x3
- 
05629
- 
(8)
x3
- 
05630

- 
(17) Ø8x60
x2
- 
10016

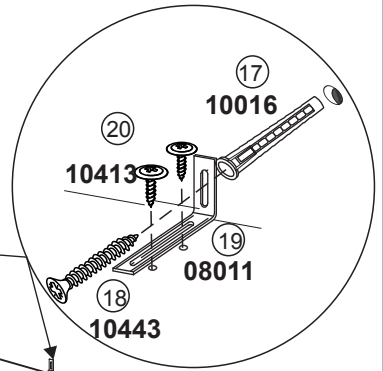
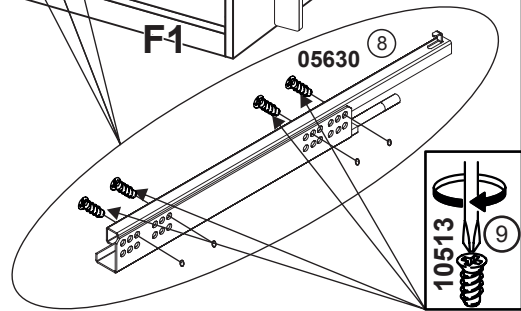
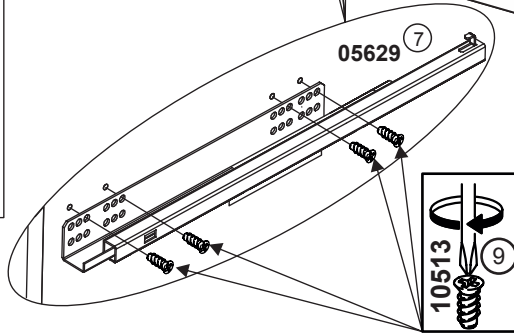
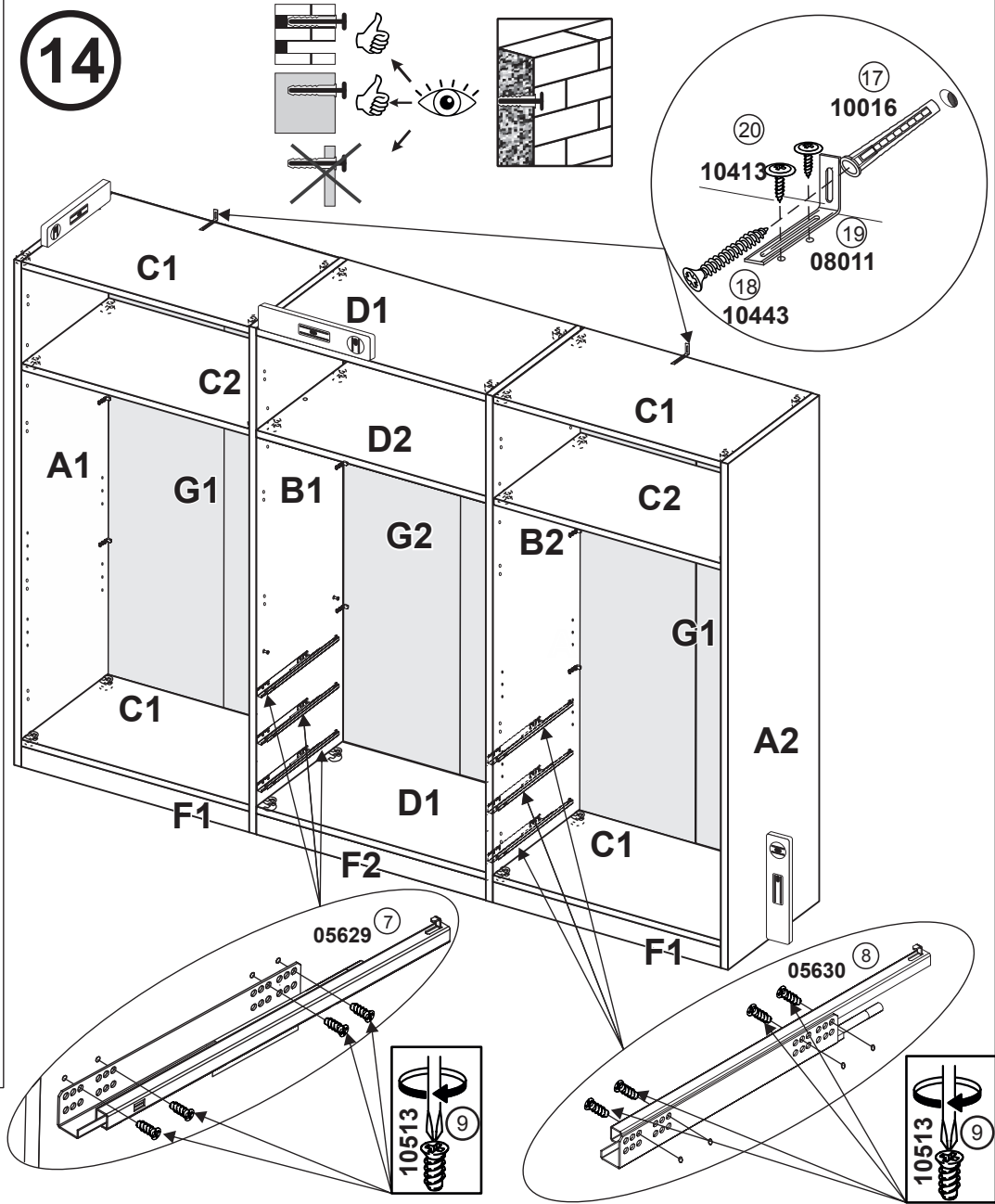
- 
(19)
x2
- 
08011

- 
(20) Ø4.2x13
x4
- 
10413

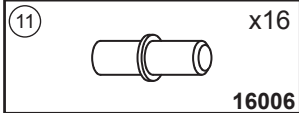
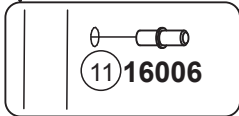
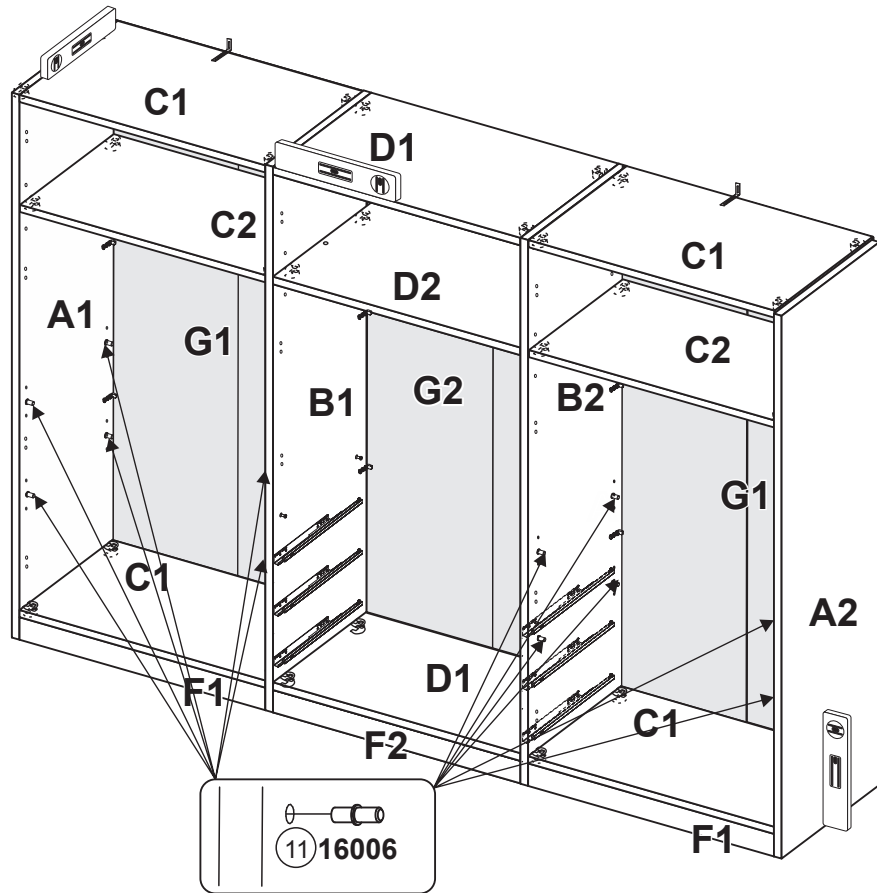
- 
(18) Ø5x60
x2
- 
10443

- 
(9) Ø5x13
x24
- 
10513

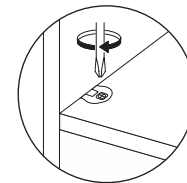
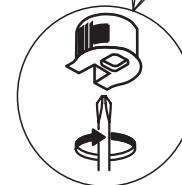
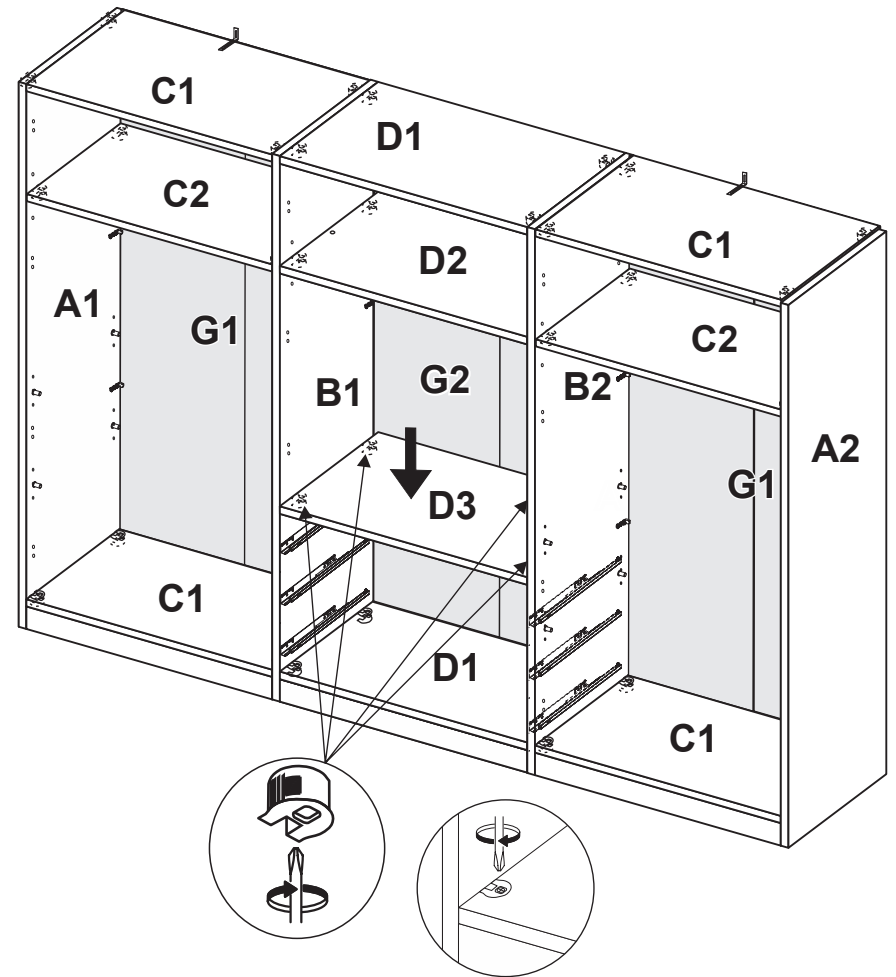
14

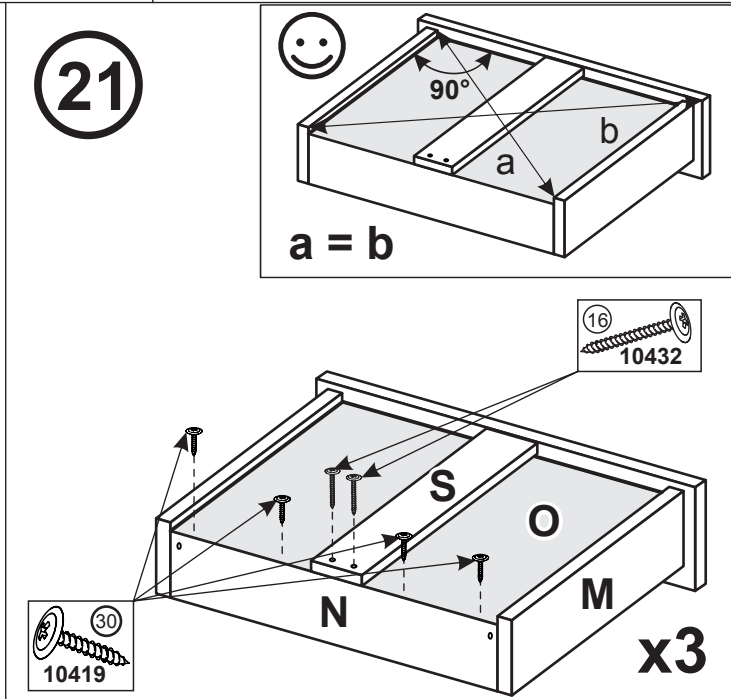
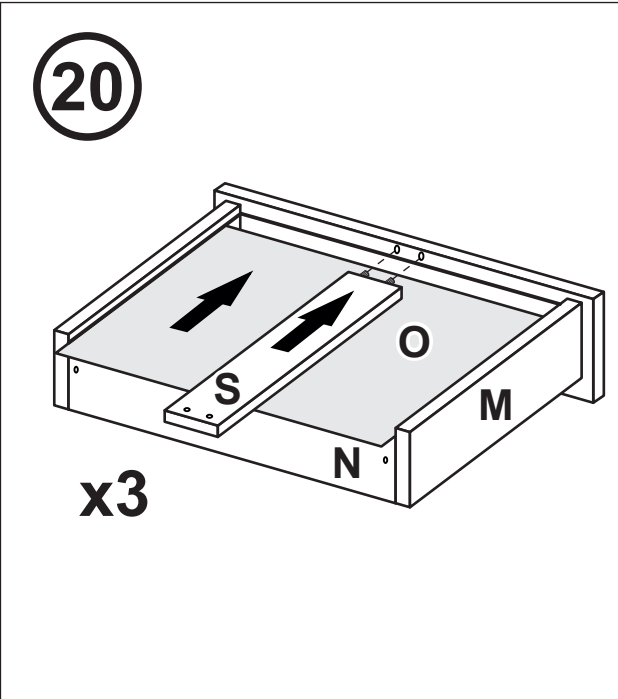
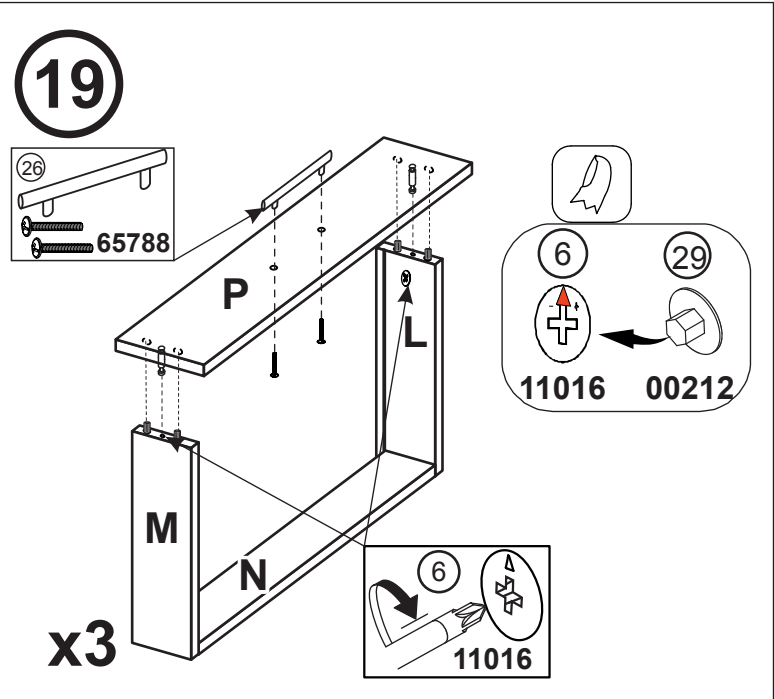
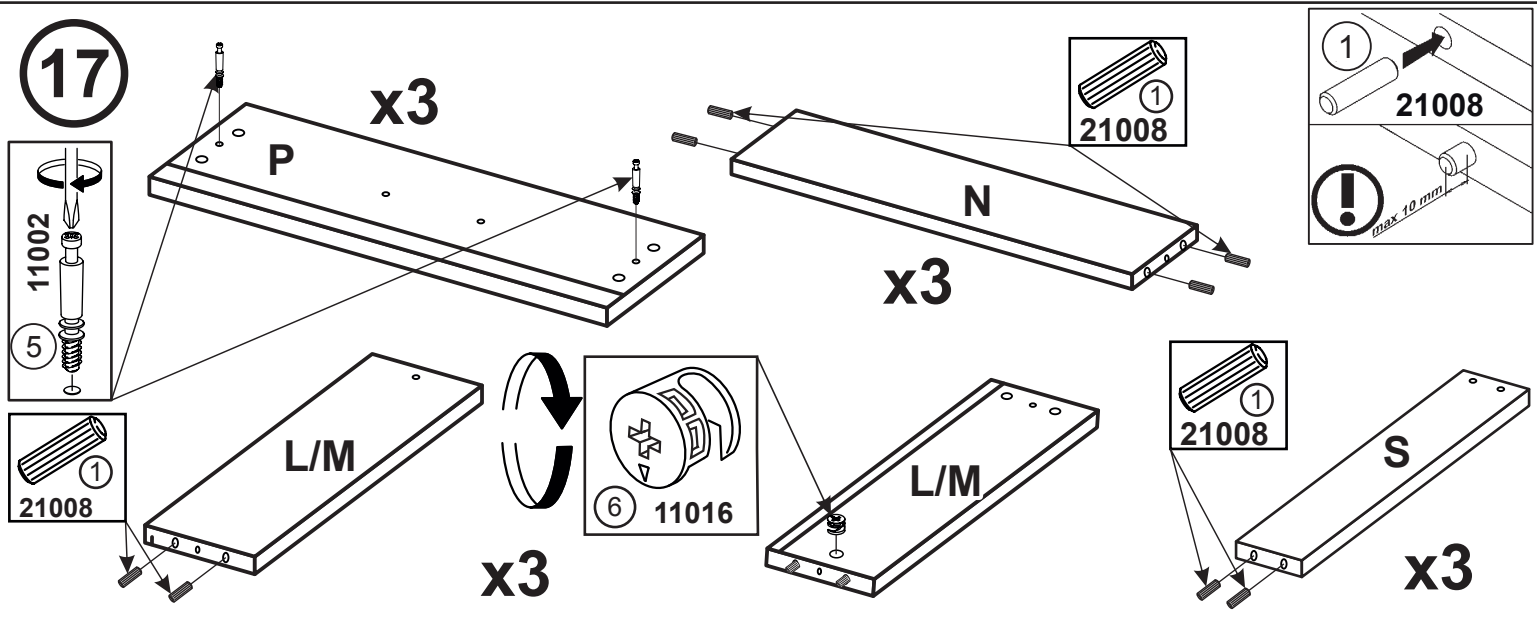


15



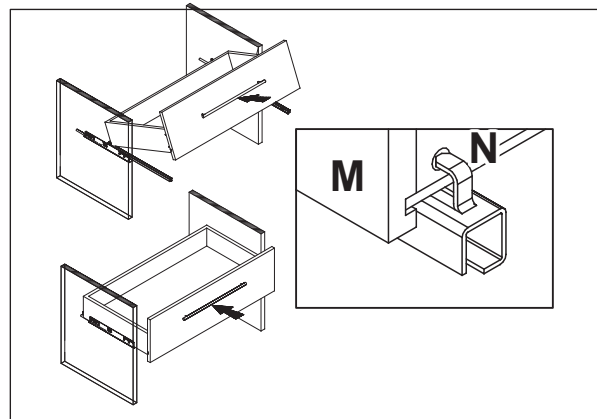
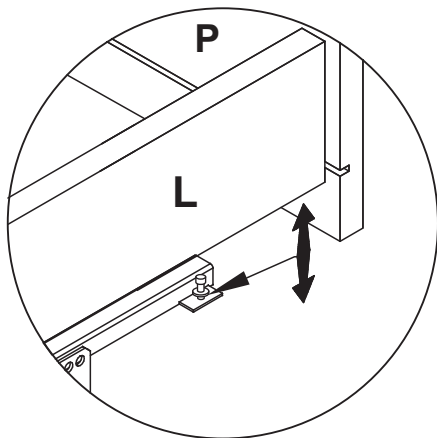
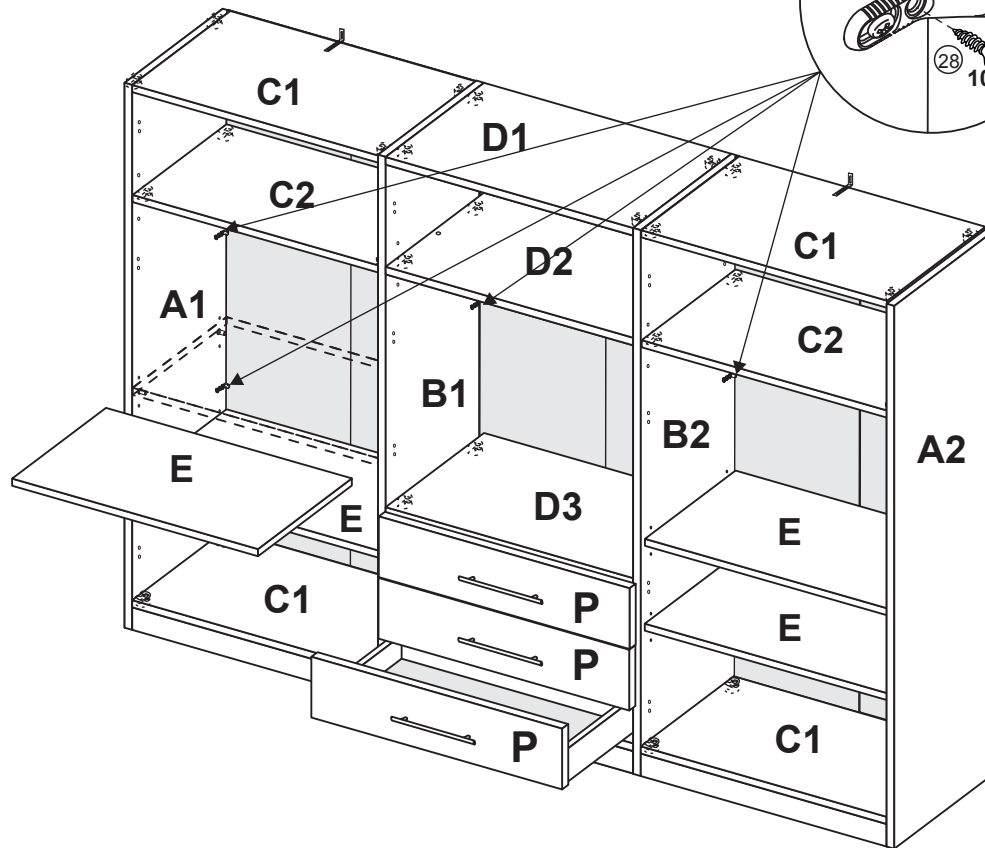
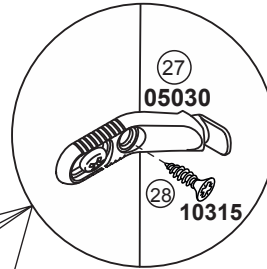
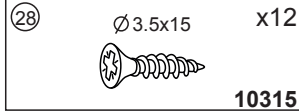
16



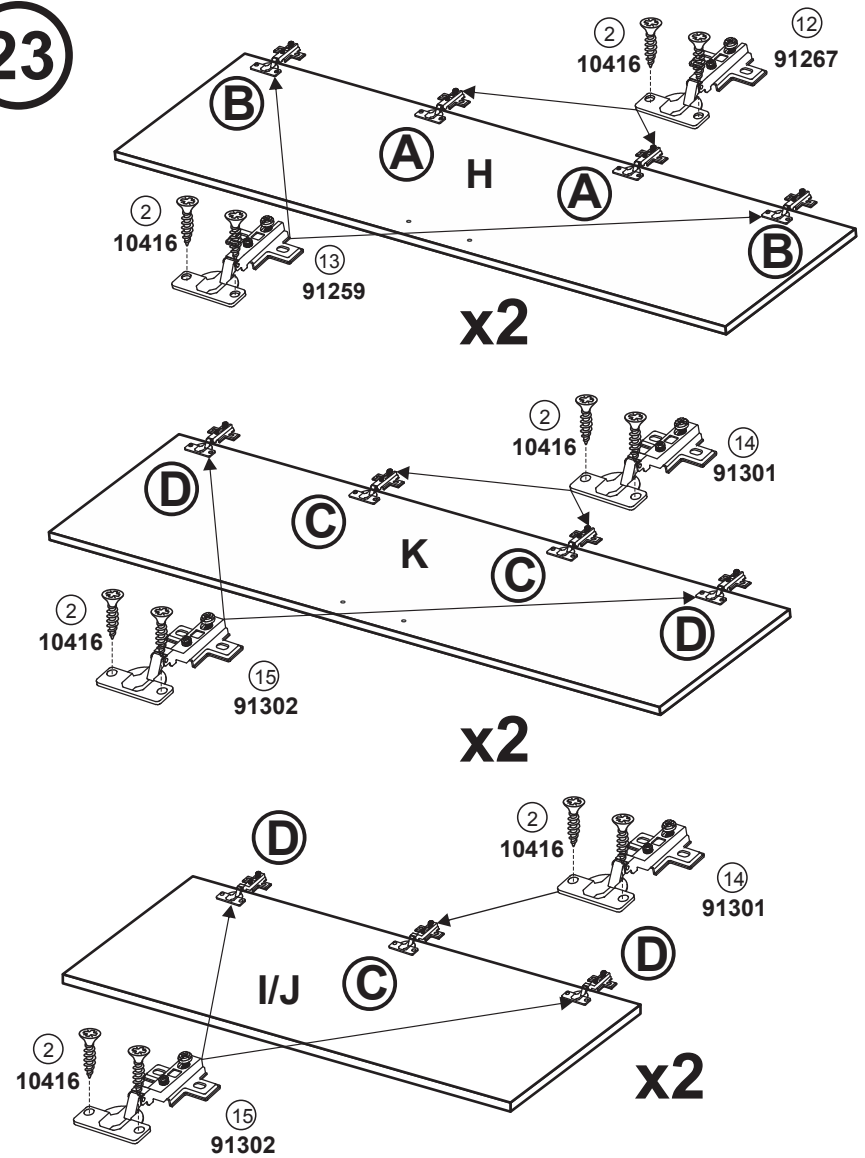


- | | | | | | | | | | | | | | | | | | |
|----------|-------|----------|-------|-----|----------|----|----------|---------|-------|-----------|-------|-----------|---------|----|-----------|---------|-----|
| 5 | x6 | 1 | Ø8x30 | x30 | 6 | x6 | 3 | Ø6,4x50 | x6 | 26 | x3 | 16 | Ø4.2x32 | x6 | 30 | Ø4.2x19 | x12 |
| | 11002 | | 21008 | | 11016 | | 07650 | | 65788 | | 10432 | | 10419 | | | | |

22

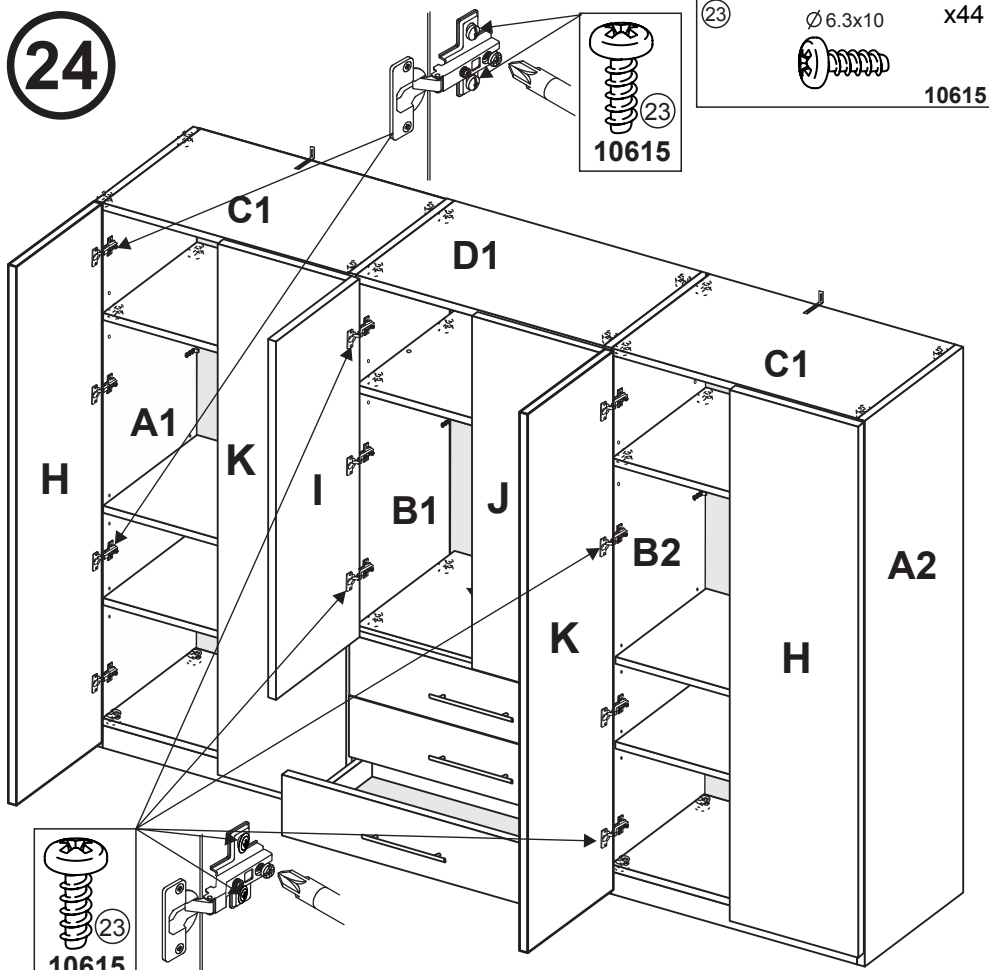


23



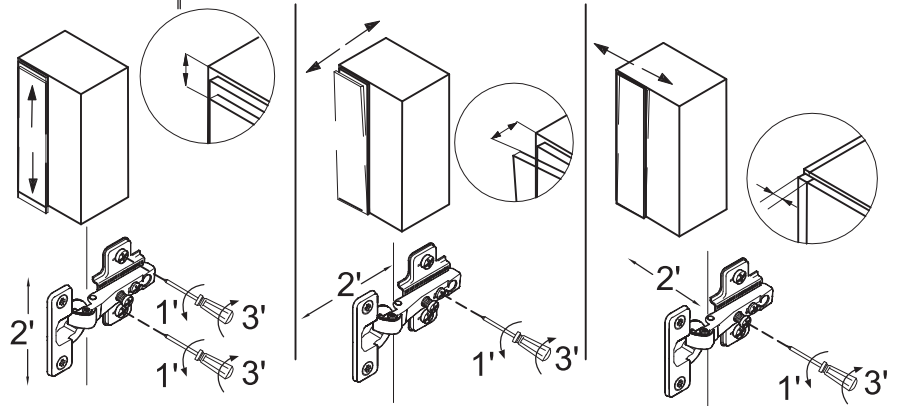
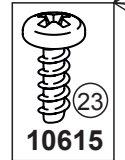
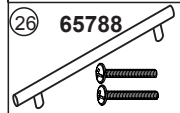
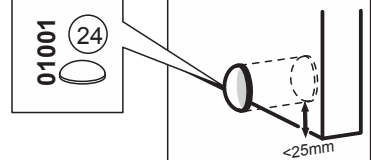
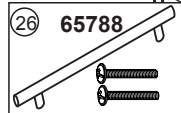
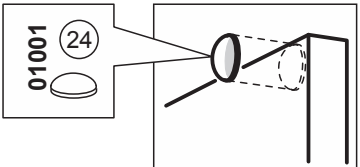
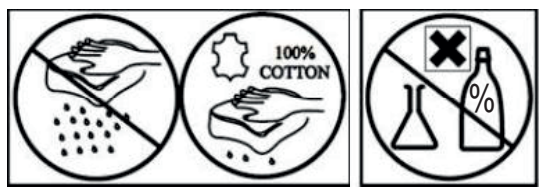
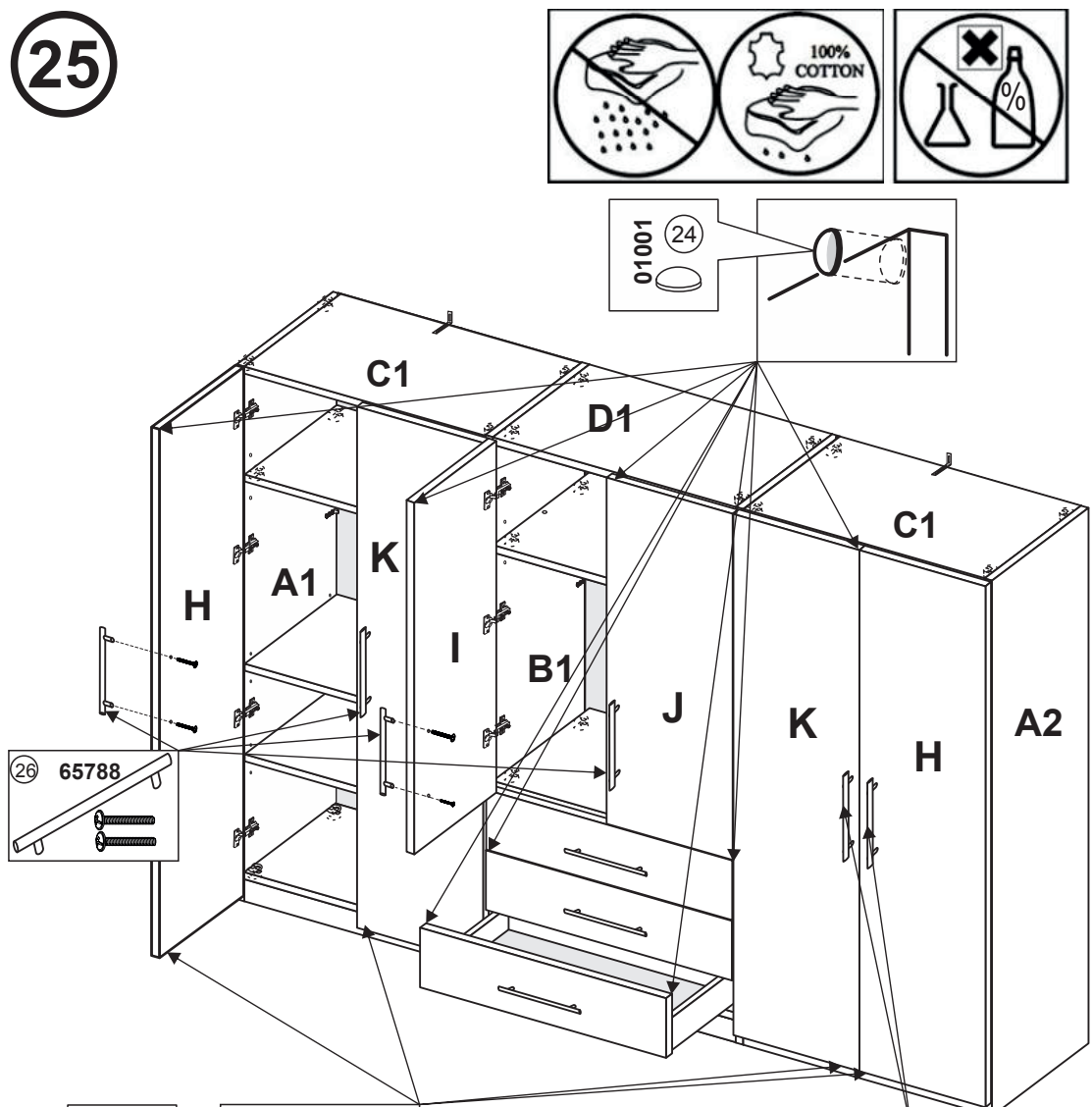
(2)	Ø4x16	x44	(12)	35mm	x4	(13)	35mm	x4
		10416	(A)		91267	(B)		91259
			(C)	35mm	x6	(D)	35mm	x8
					91301			91302

24



(23) $\varnothing 6.3 \times 10$ x44
10615

25



(24) 01001 x18 (26) 65788 x6