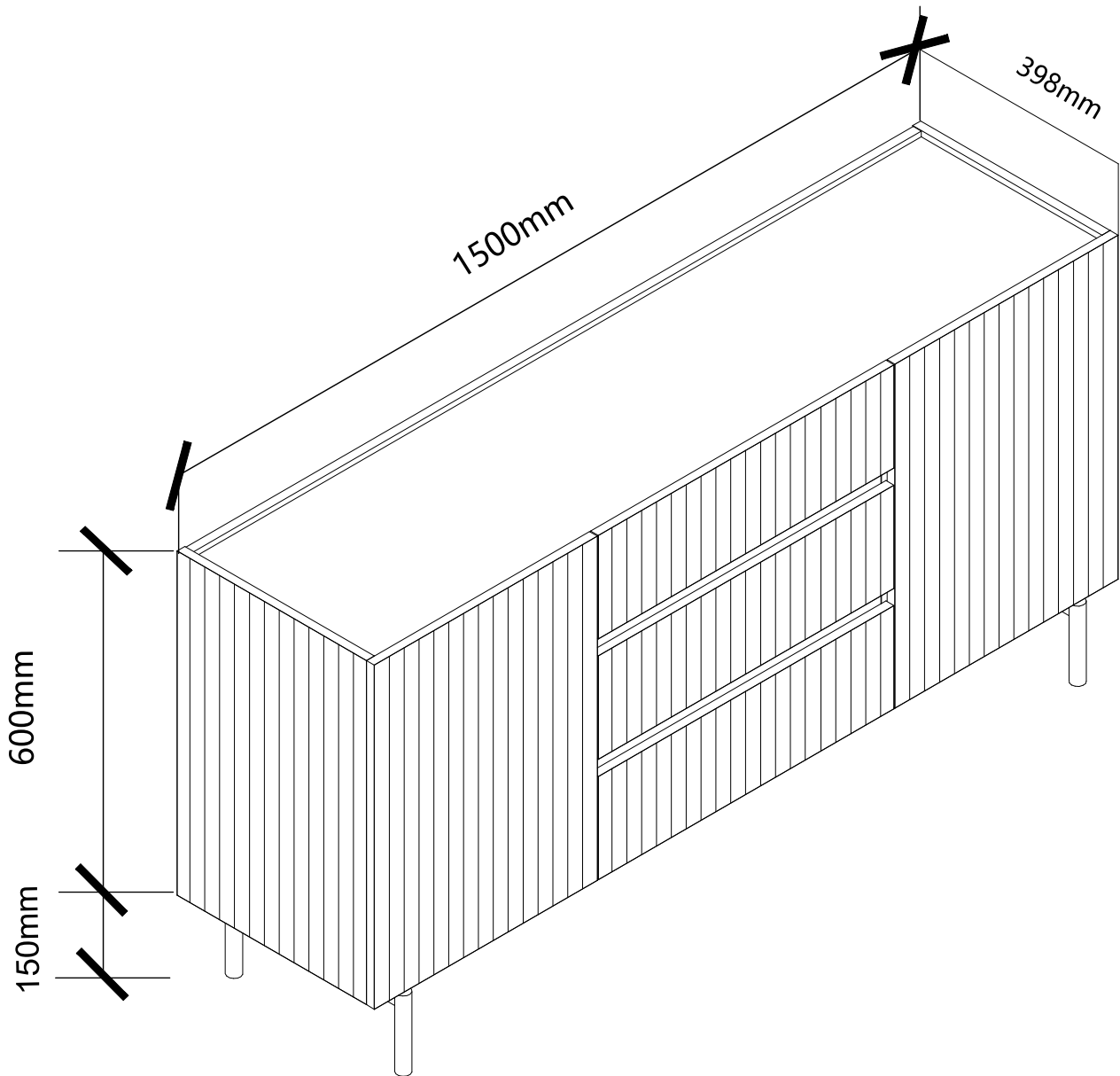
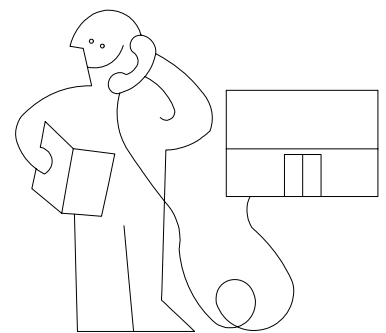
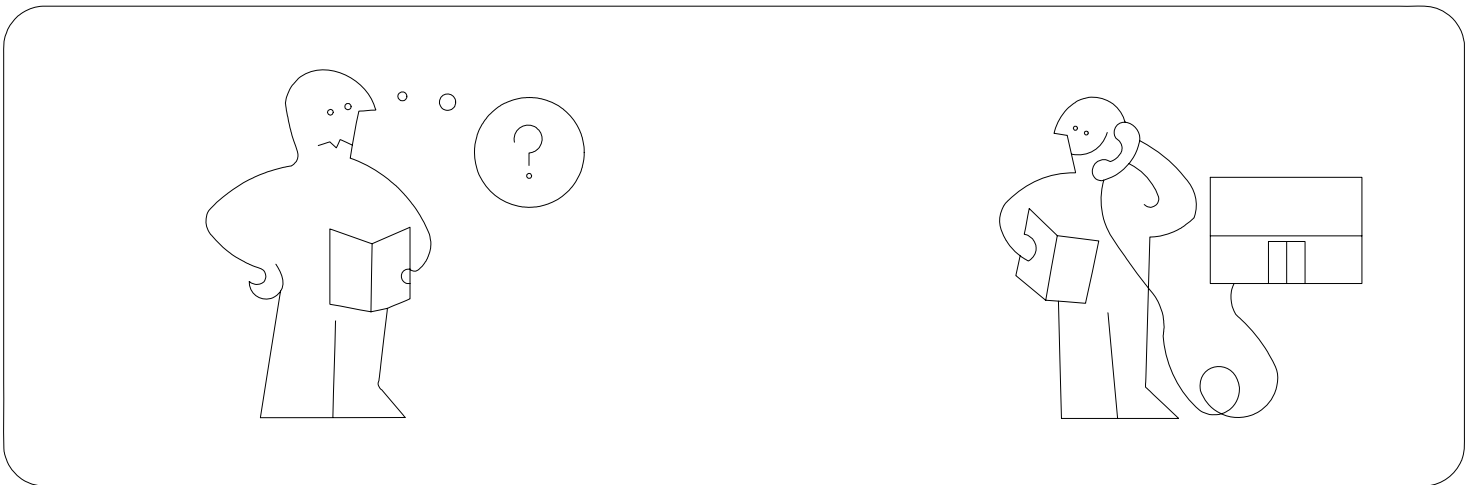
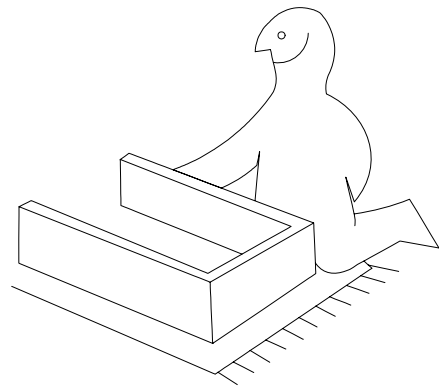
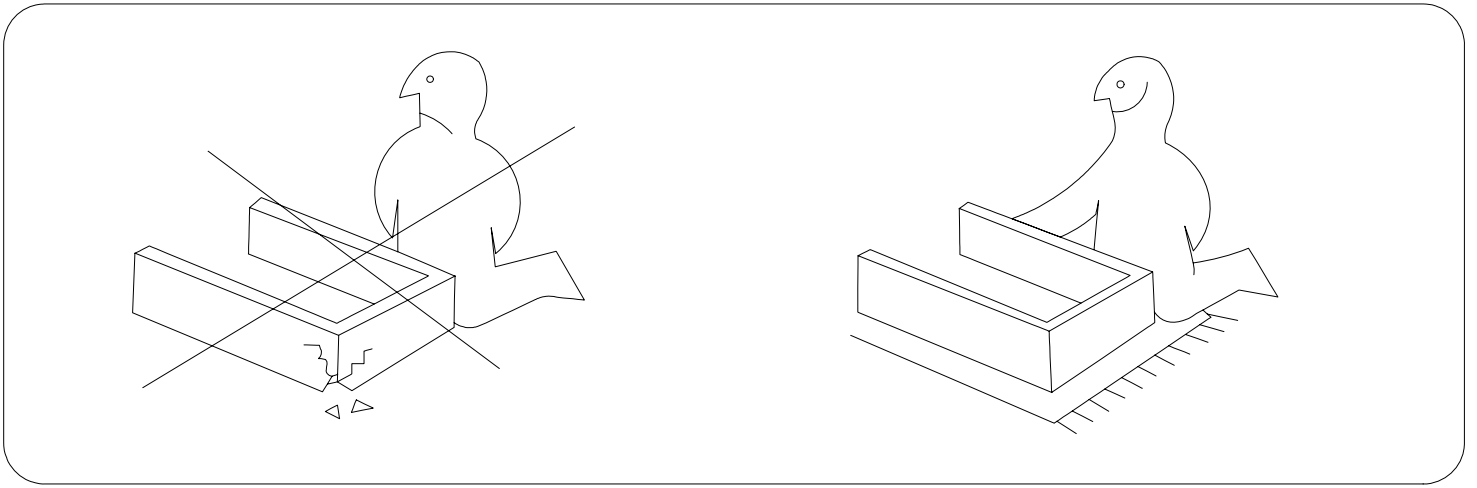
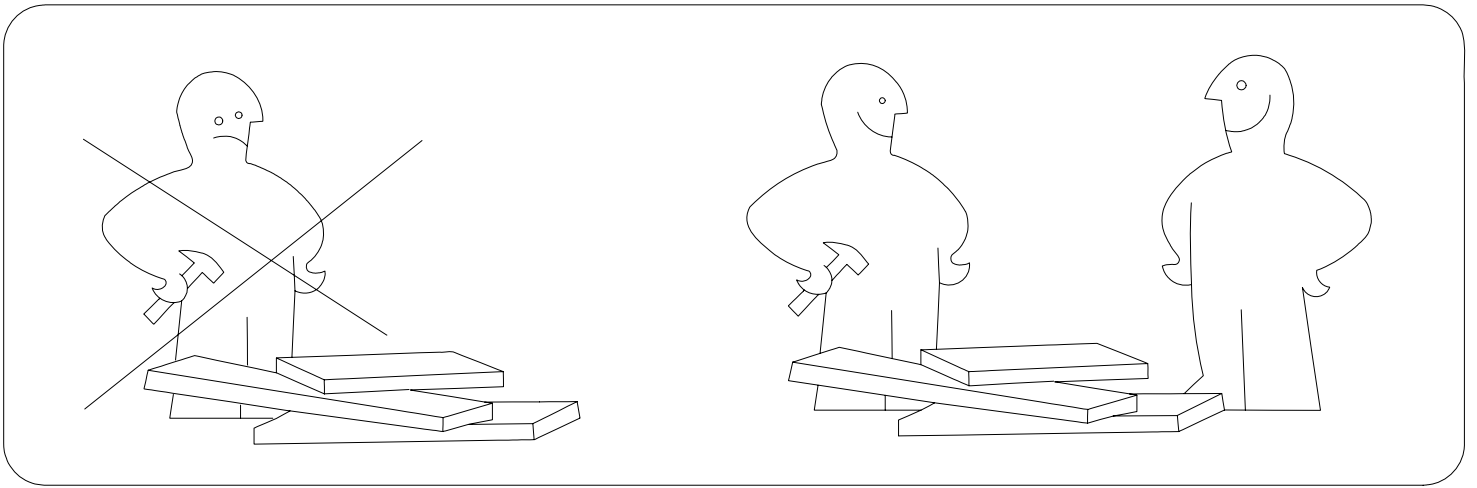
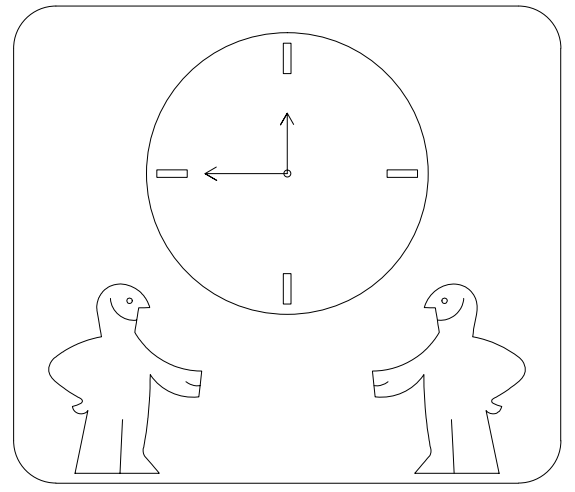
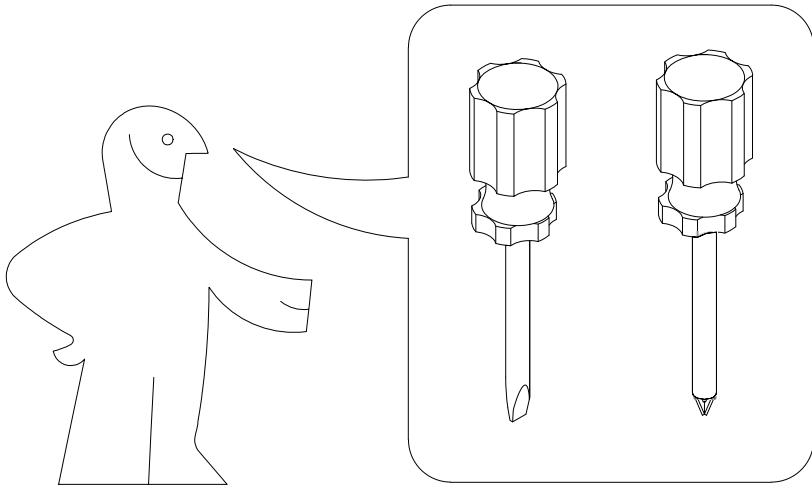
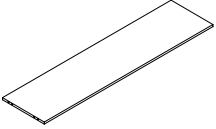
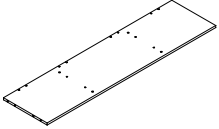
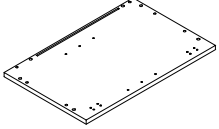
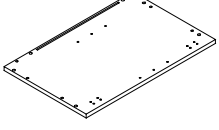
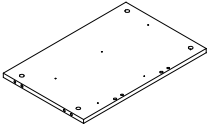
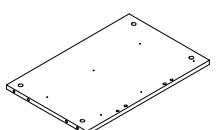
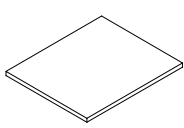
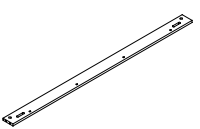
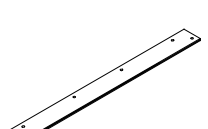
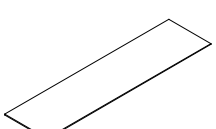


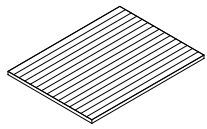
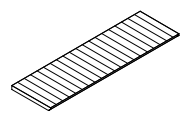
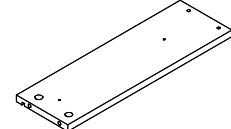
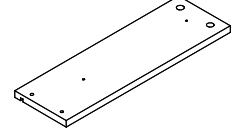
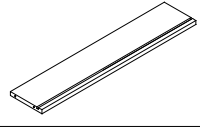
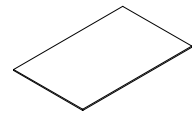
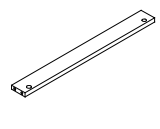
24790003/05

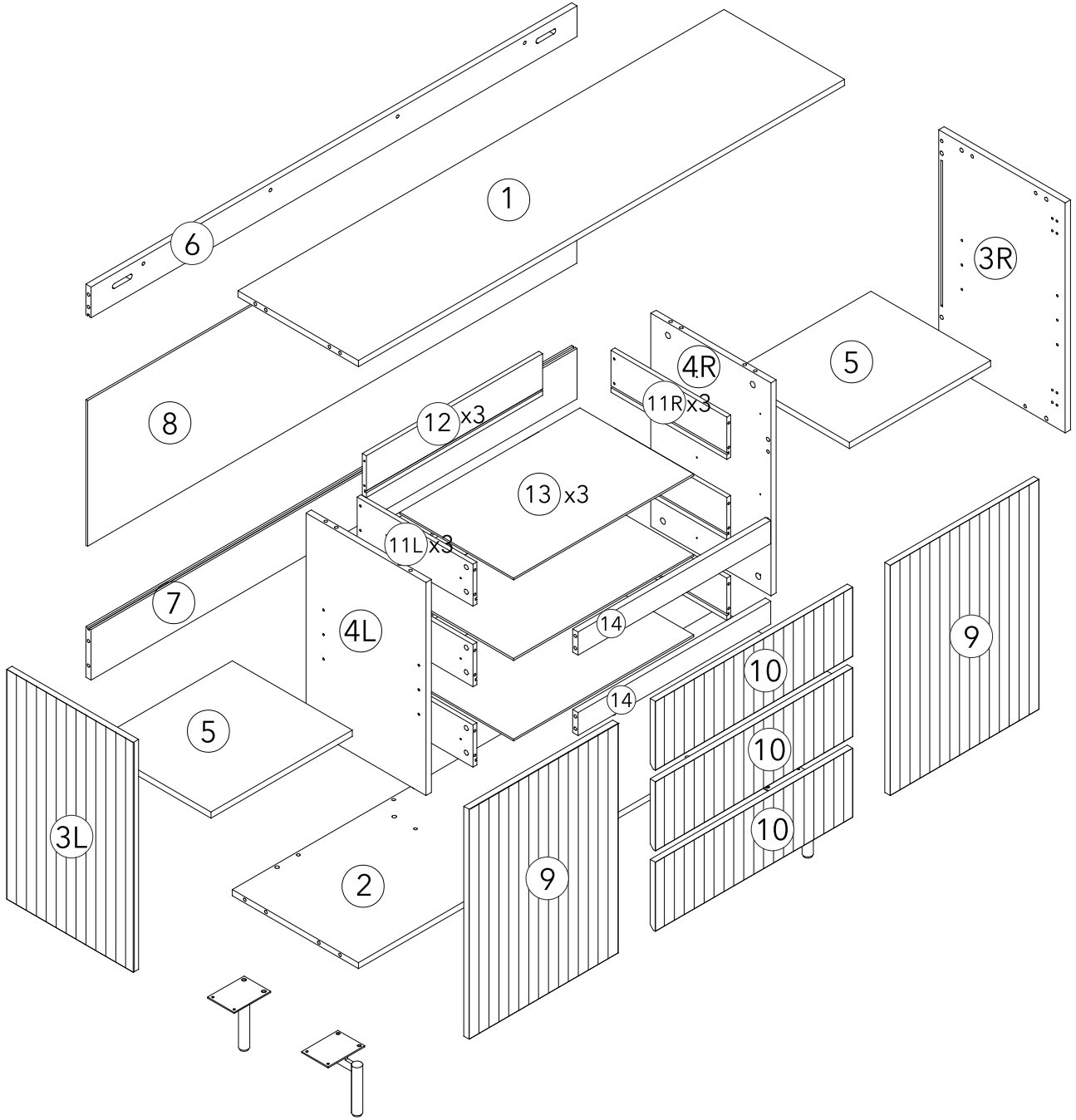
XXXLUTZ KG  
Roemerstrasse 39  
AT-4600 Wels, Austria  
E-Mail: info@xxxlutz.at




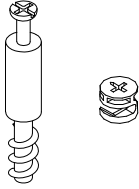
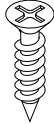
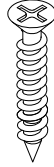
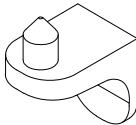
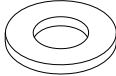
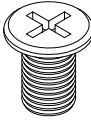
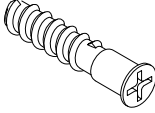
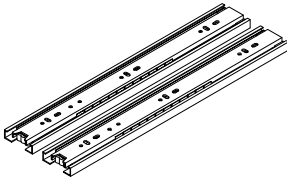
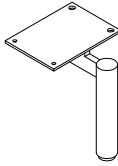
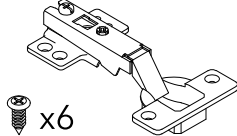
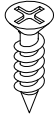
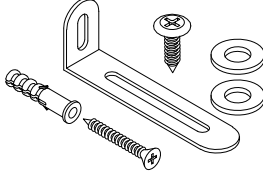
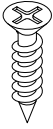
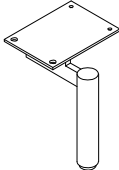
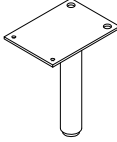
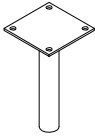



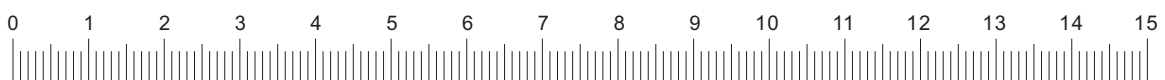


1	1468x364x16		1
2	1468x381x16		1
3L	600x382x16		1
3R	600x382x16		1
4L	556x363x16		1
4R	556x363x16		1
5	427x362x16		2
6	1468x80x16		1
7	1468x132x16		1
8	1478x380x5		1

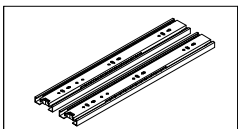
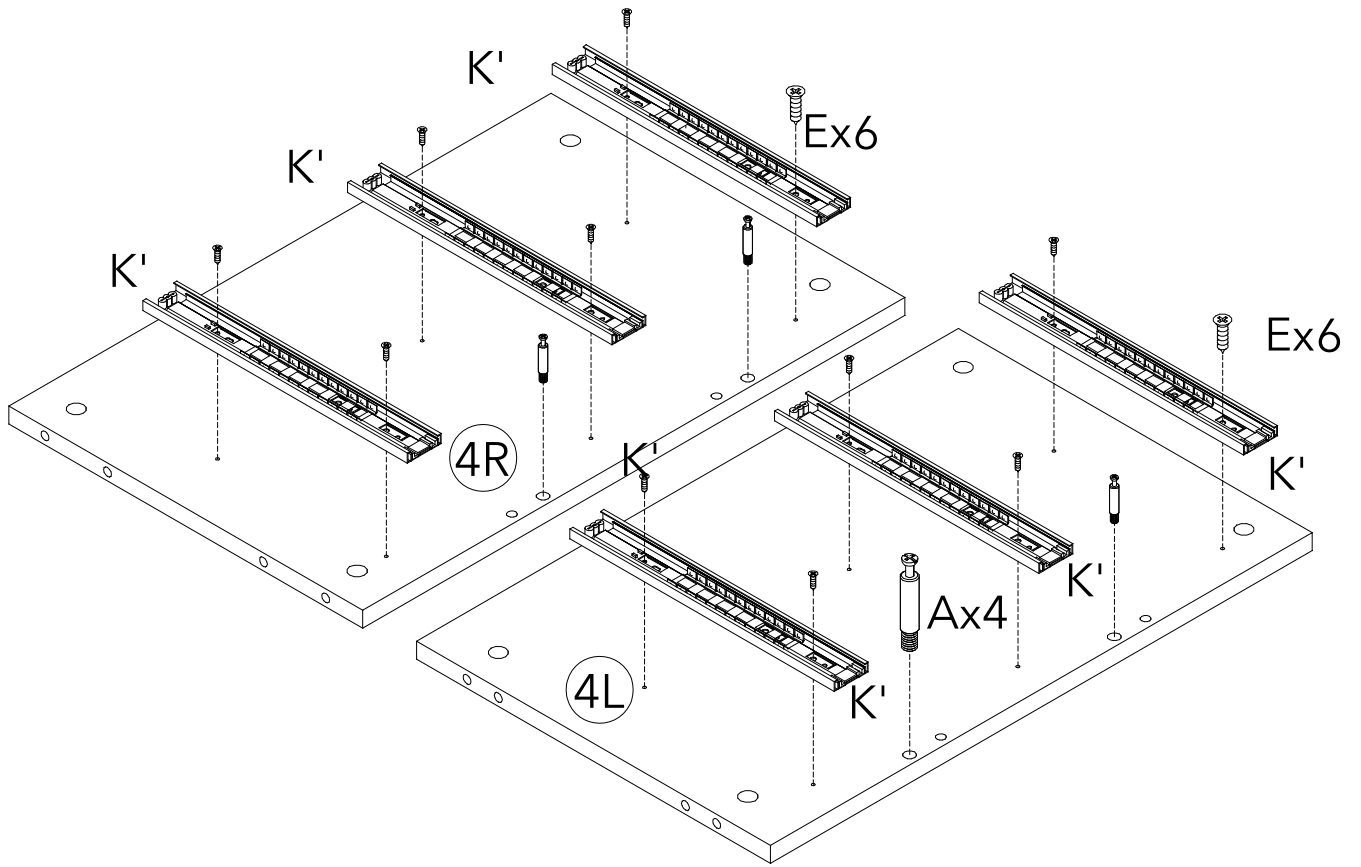
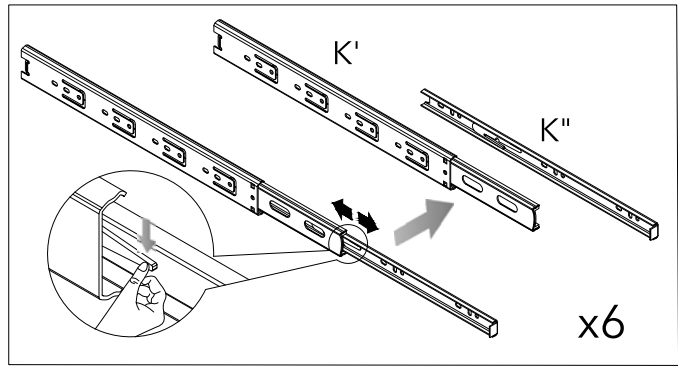
9	600x450x16		2
10	180x596x16		3
11L	350x110x12		3
11R	350x110x12		3
12	533x109x12		3
13	543x344x5		3
14	582x60x16		2



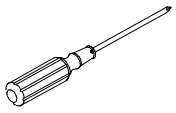


								
A	M6x40mm	28X	B	Ø15x11.5	28X	C	Ø8x30	28X
								
D	Ø12x10mm	12X	E	M4x14	24X	F	M4x30	12X
								
G	/	8X	H	M5	8X	I	M6x12mm	12X
								
J	M7x50mm	4X	K	10"	3X	L	/	1X
								
M	Flat hinge	4X	N	M3x12	8X	P	/	2X
								
Q	M4x16	8X	R	/	1X	S	/	2X
								
T	/	1X	Z	Ø20	40X			

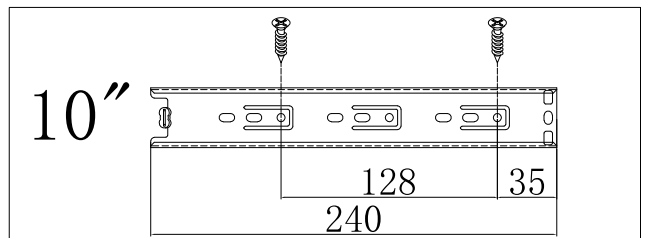
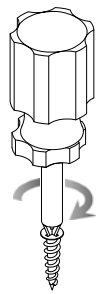


# 1

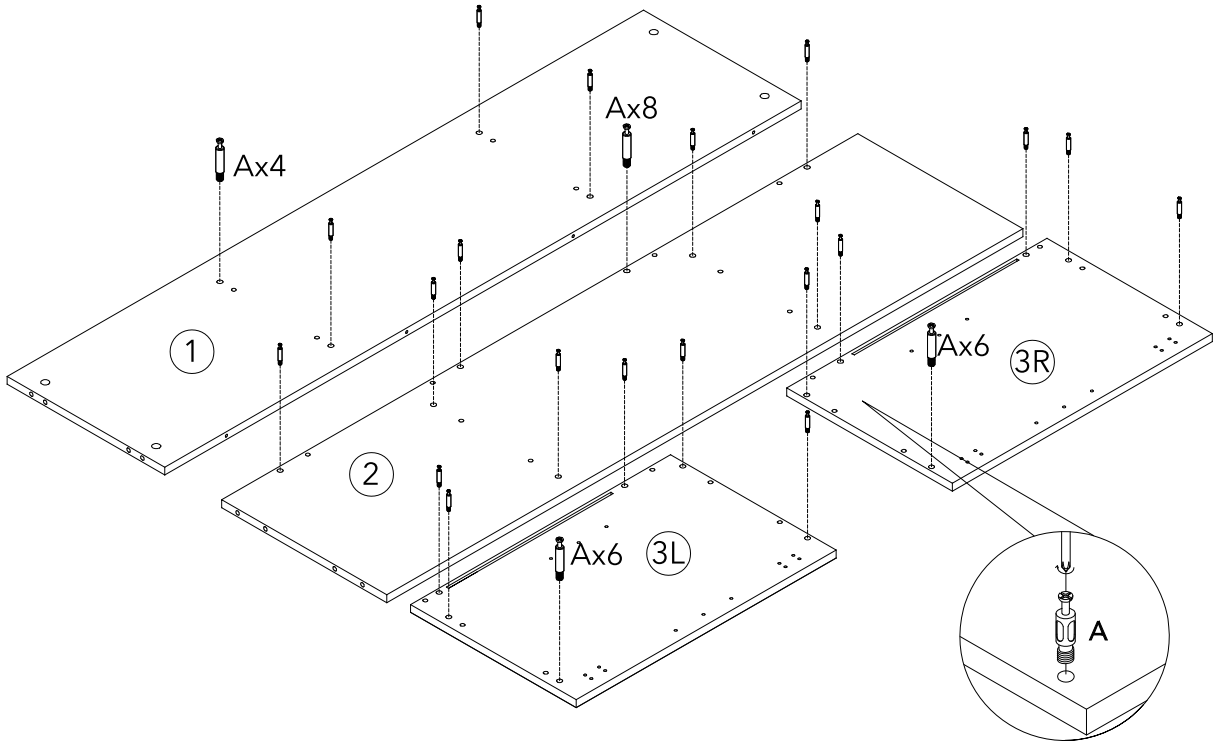


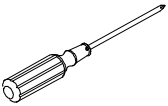

K	10"	3x
---	-----	----

		
E	M4x14 12x	A M6x40mm 4x

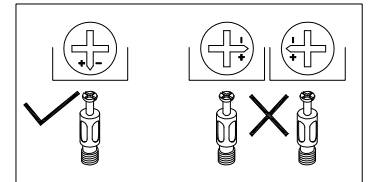
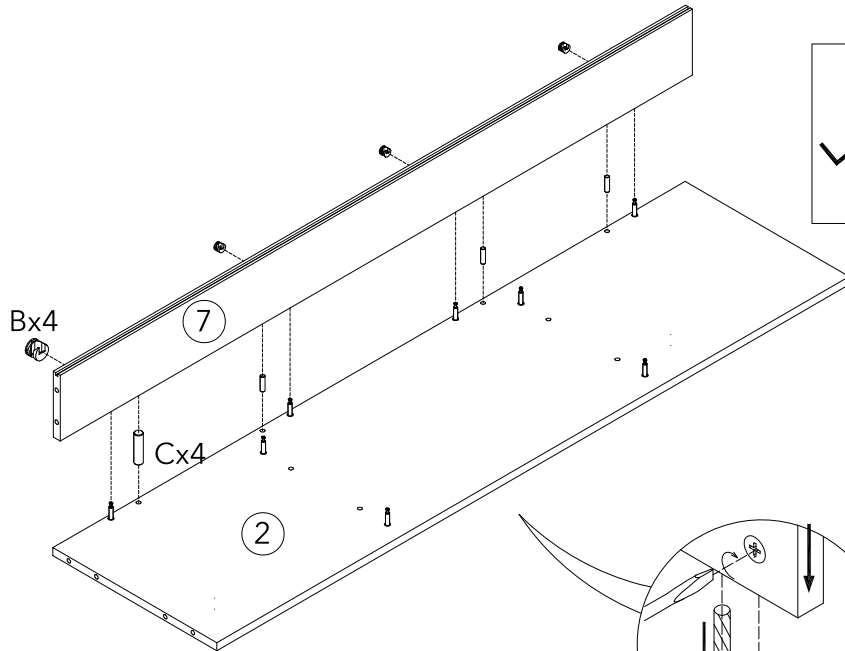




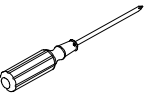

# 2



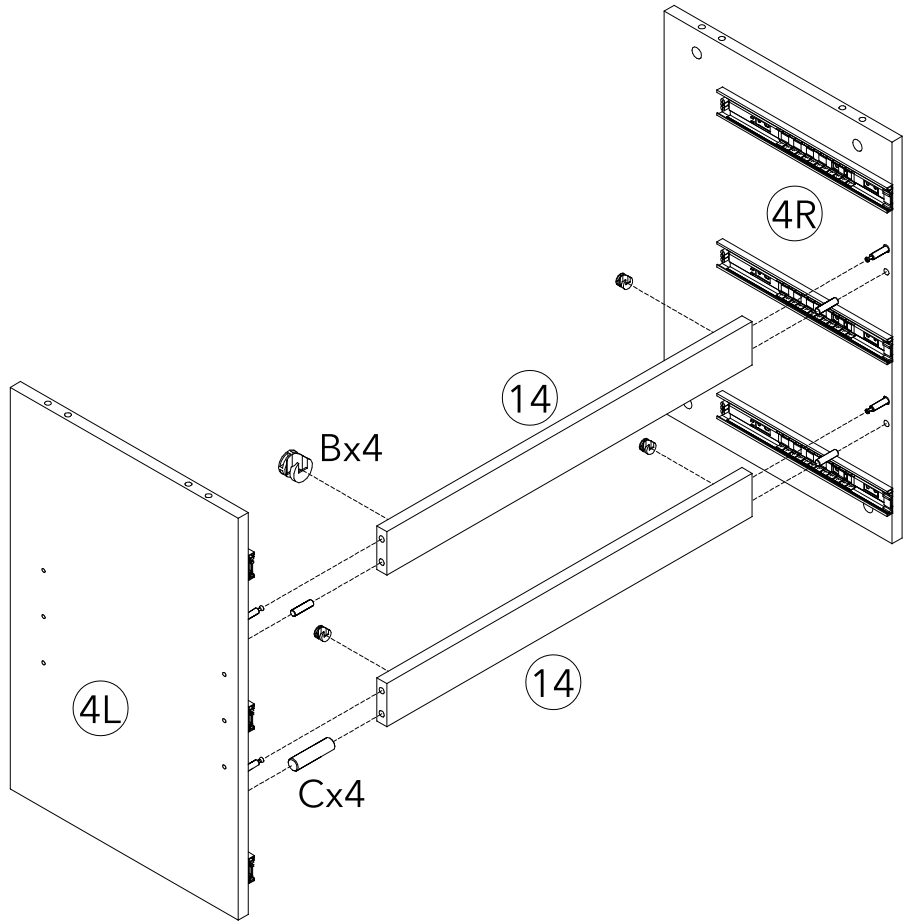
	
A	M6x40mm 24x

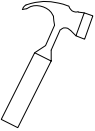

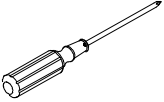

# 3



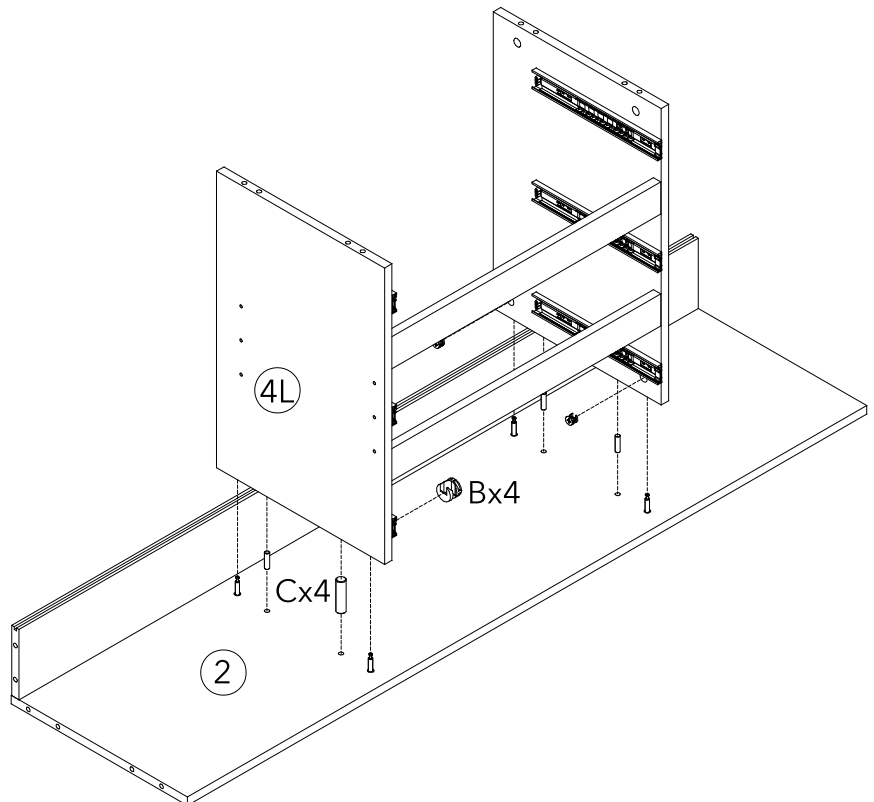
	
C	Ø8x30 4x
	
B	Ø15x11.5 4x



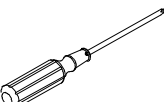

# 4



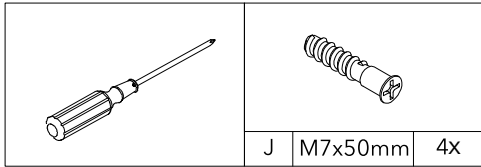
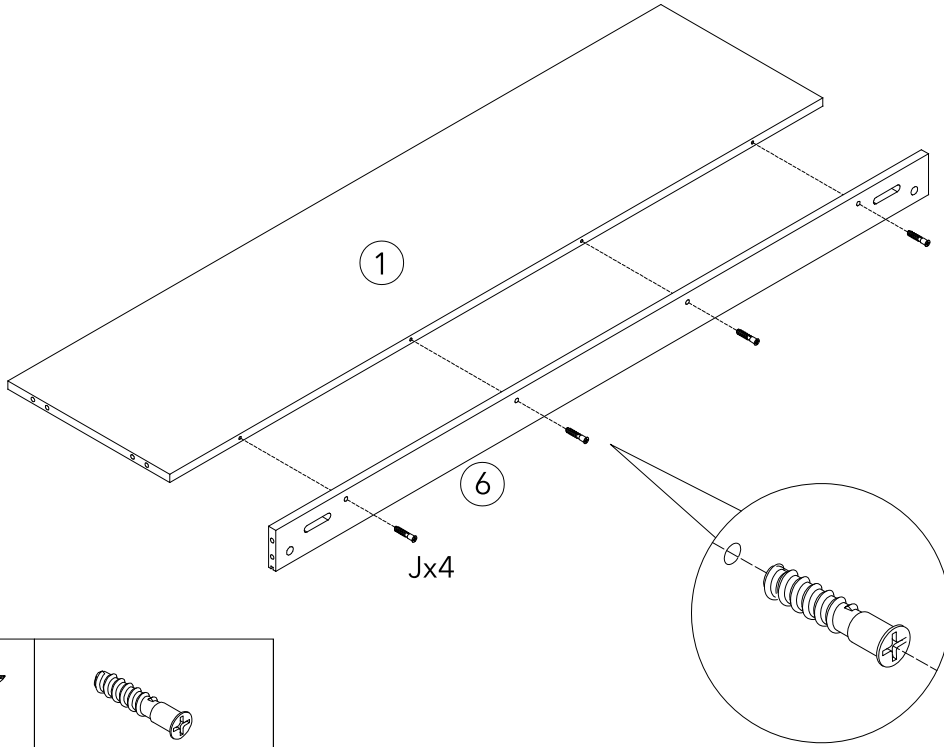
			
	C	Ø8x30	4x
			
	B	Ø15x11.5	4x

# 5

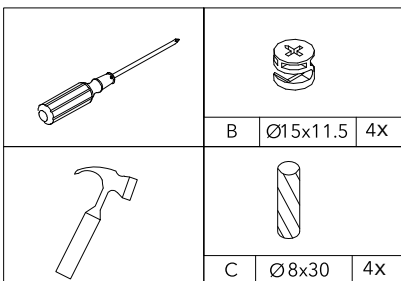
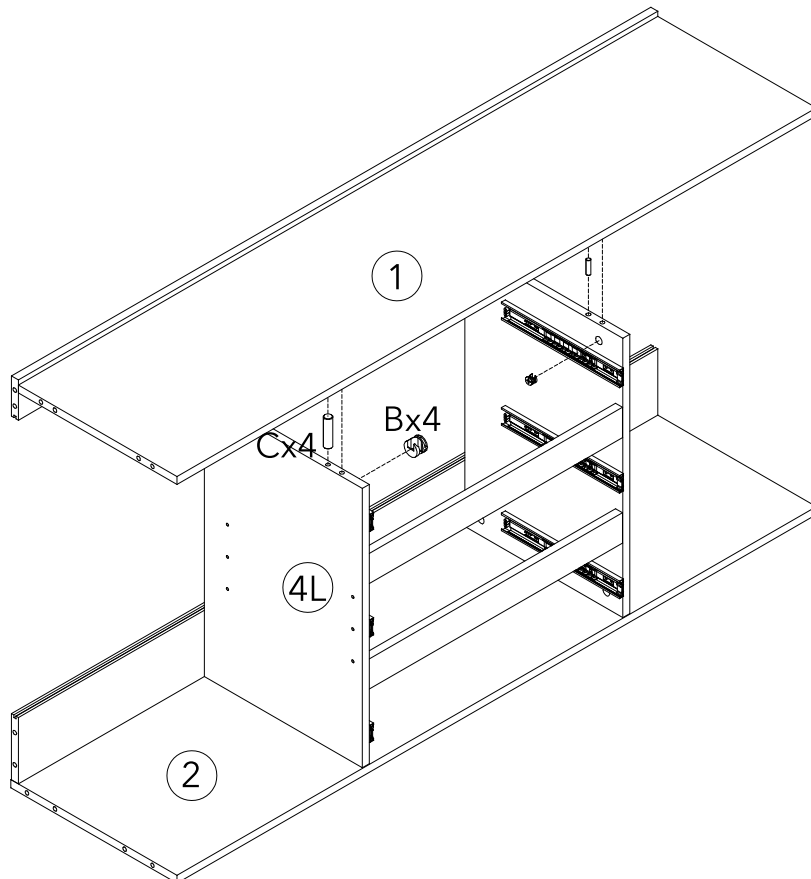


			
	C	Ø8x30	4x
			
	B	Ø15x11.5	4x

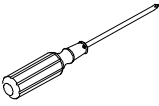


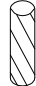
6

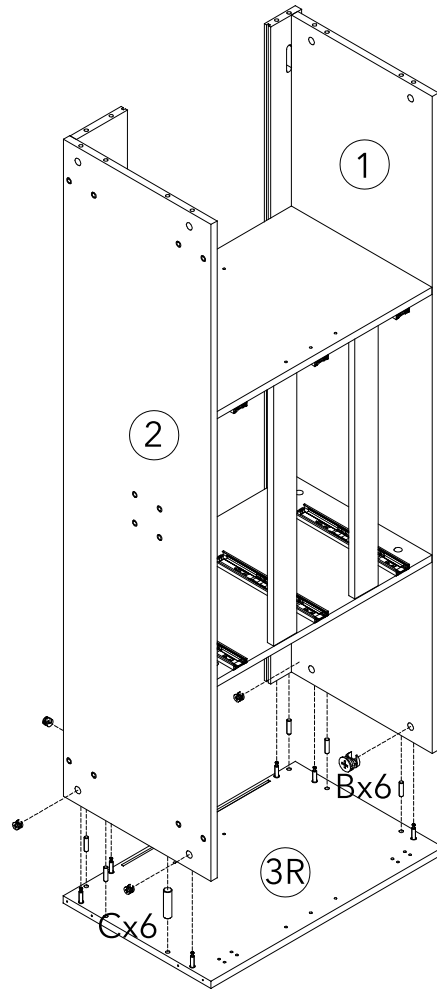


7

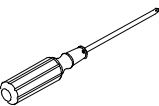


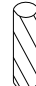


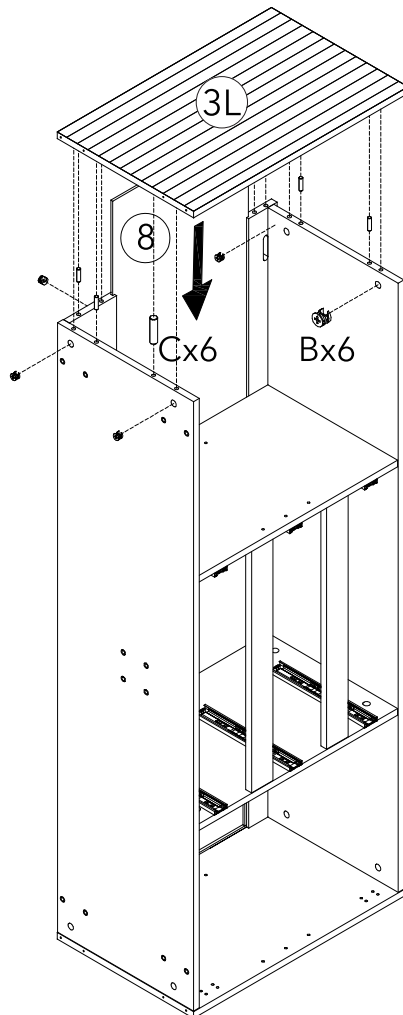
8

			
	B	Ø15x11.5	6x
			
	C	Ø8x30	6x

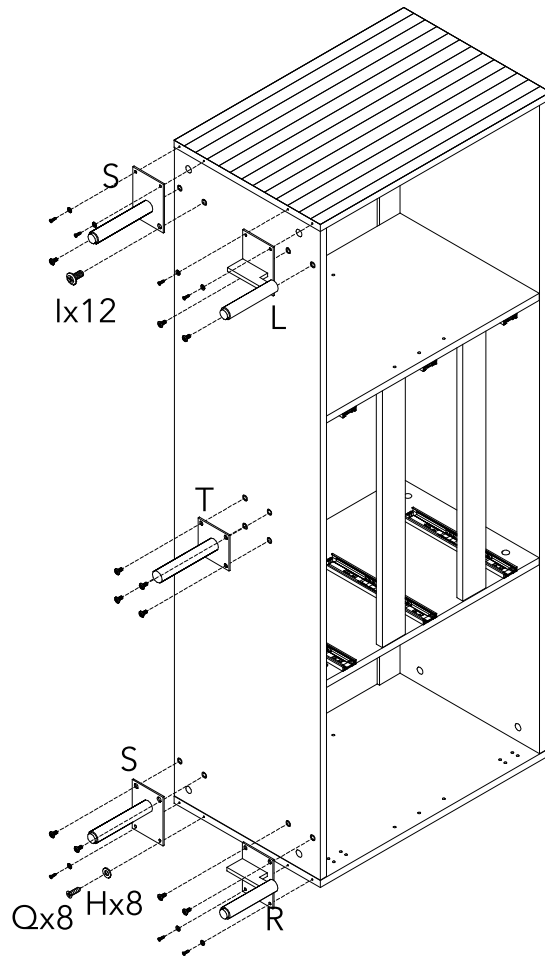


9

			
	B	Ø15x11.5	6x
			
	C	Ø8x30	6x

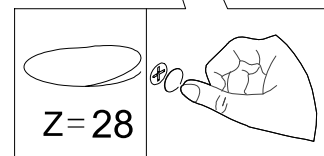
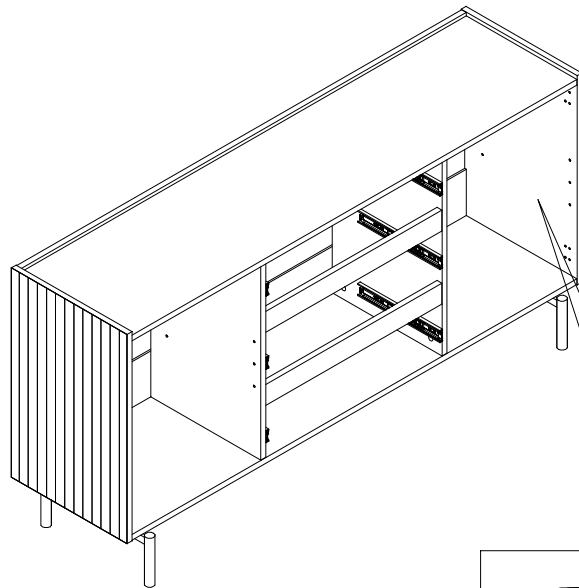
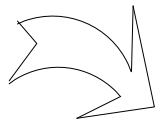
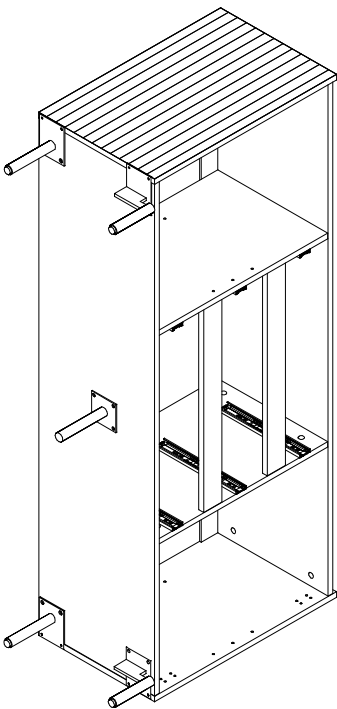


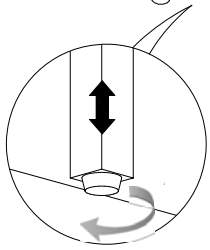
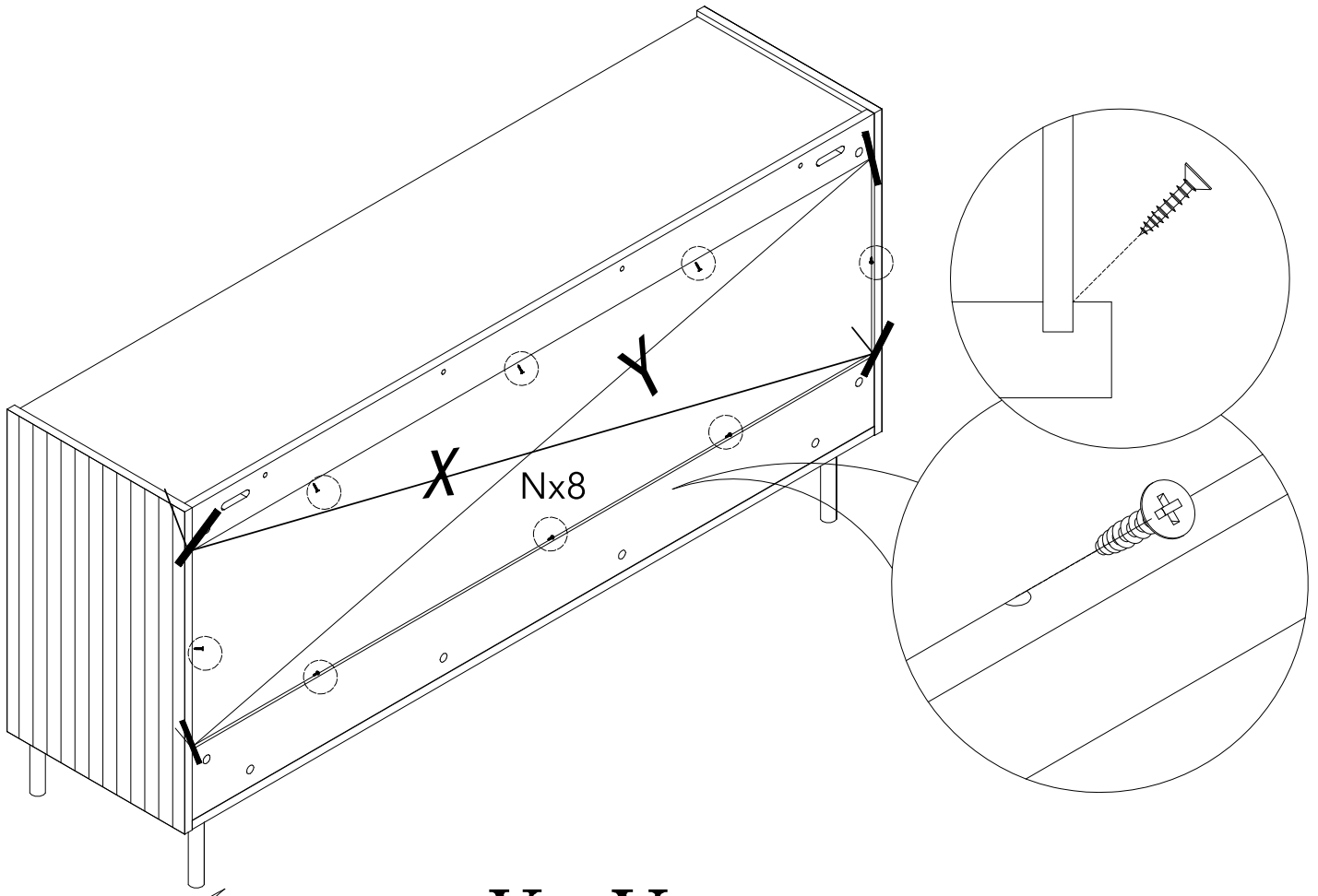
# 10



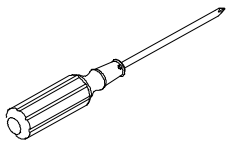
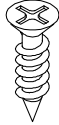
Q M4x16 8x	H M5 8x
S / 2x	T / 1x
L / 1x	R / 1x
	I M6x12mm 12x

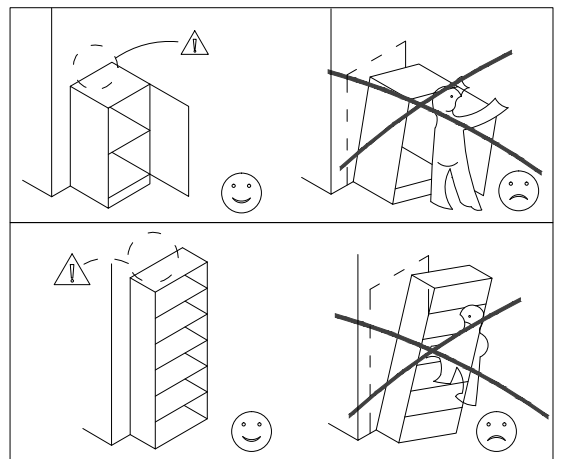
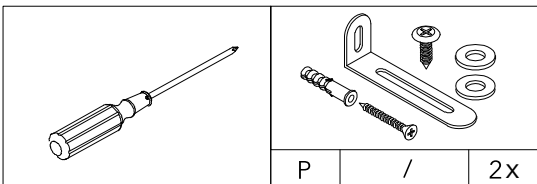
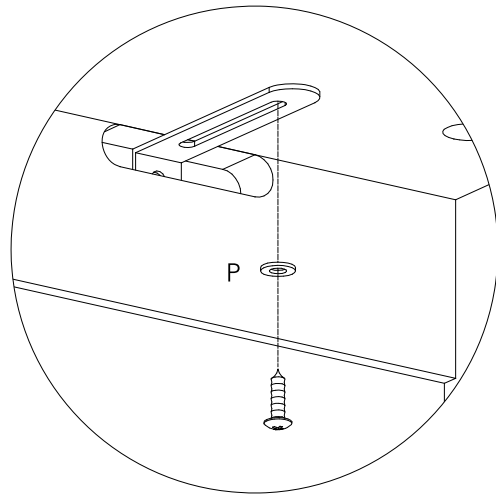
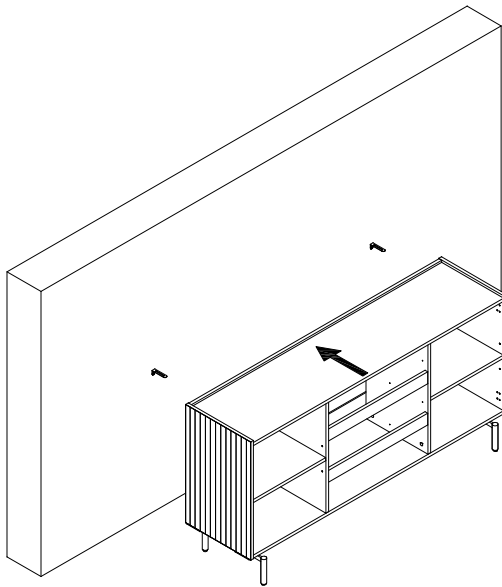
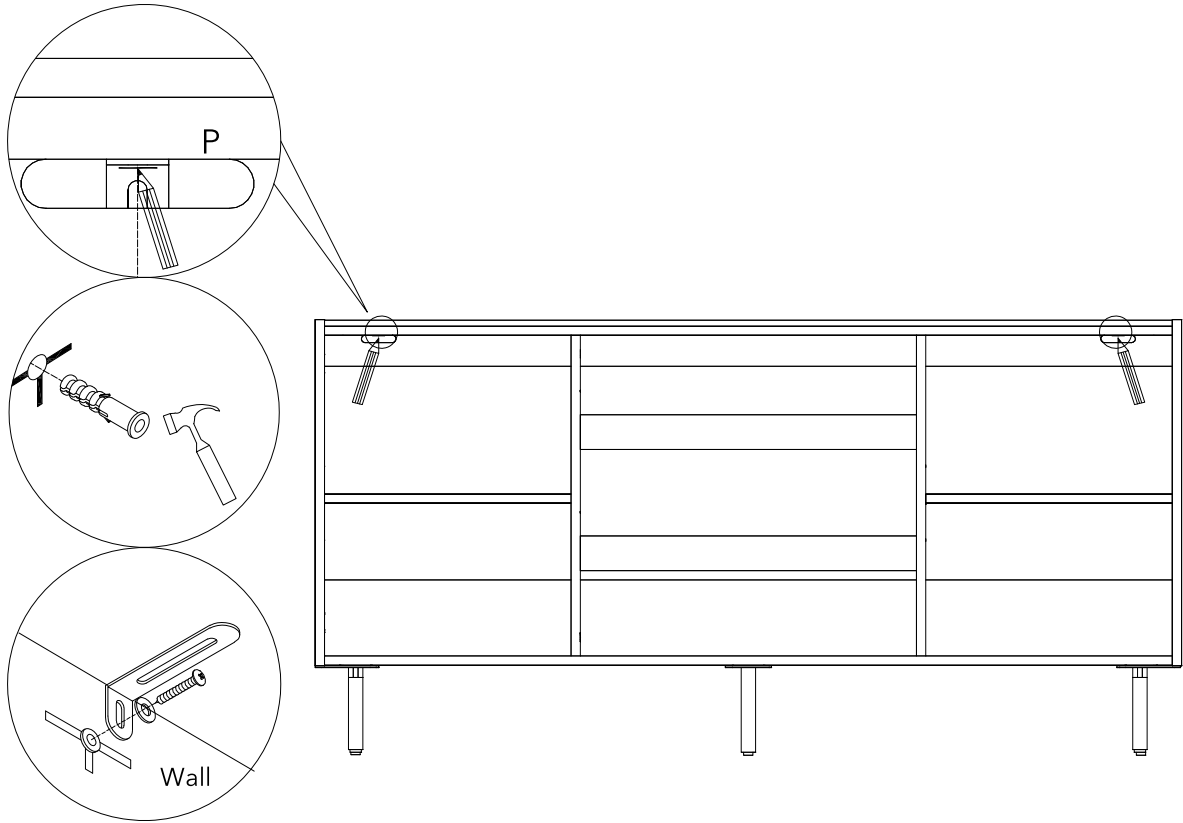
# 11



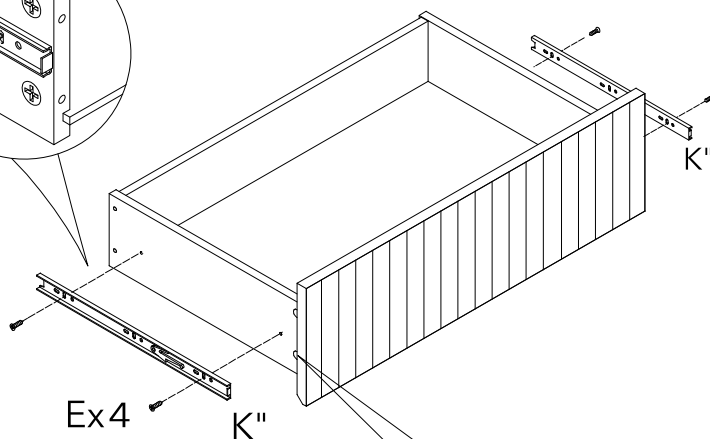
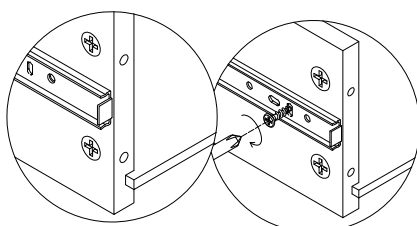
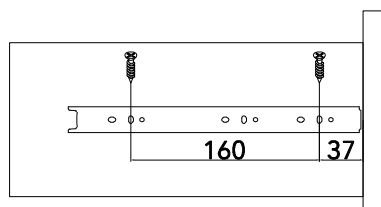
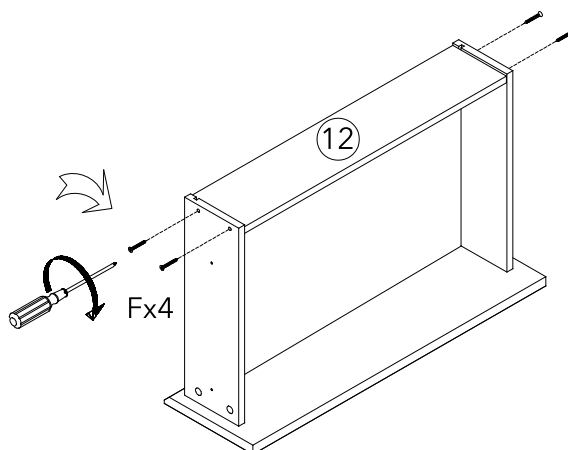
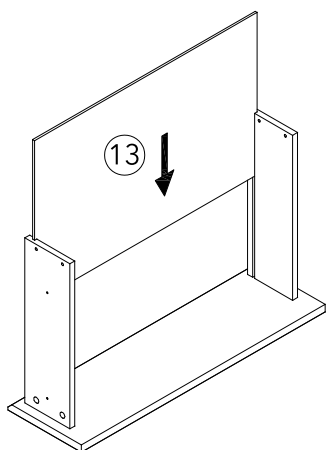
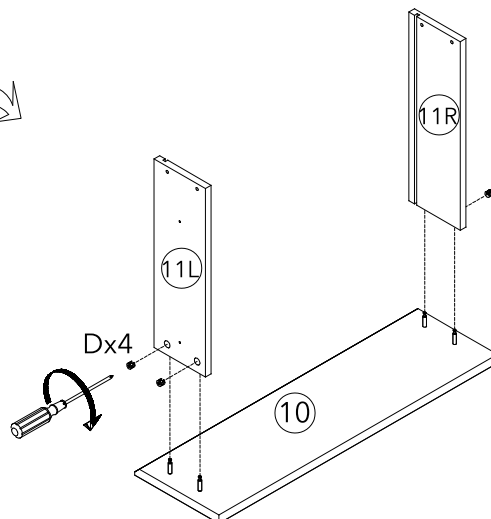
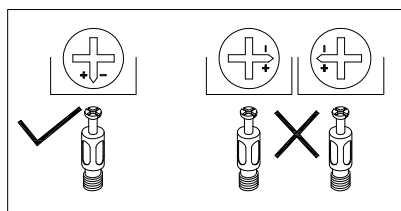
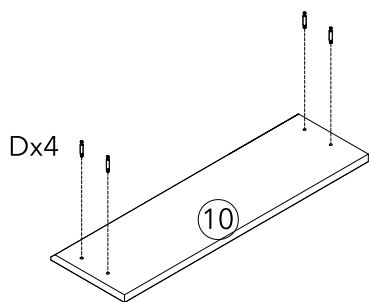


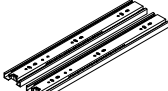

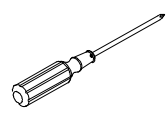

$$X=Y$$

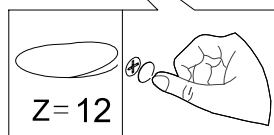
			
	N	M3x12	8x

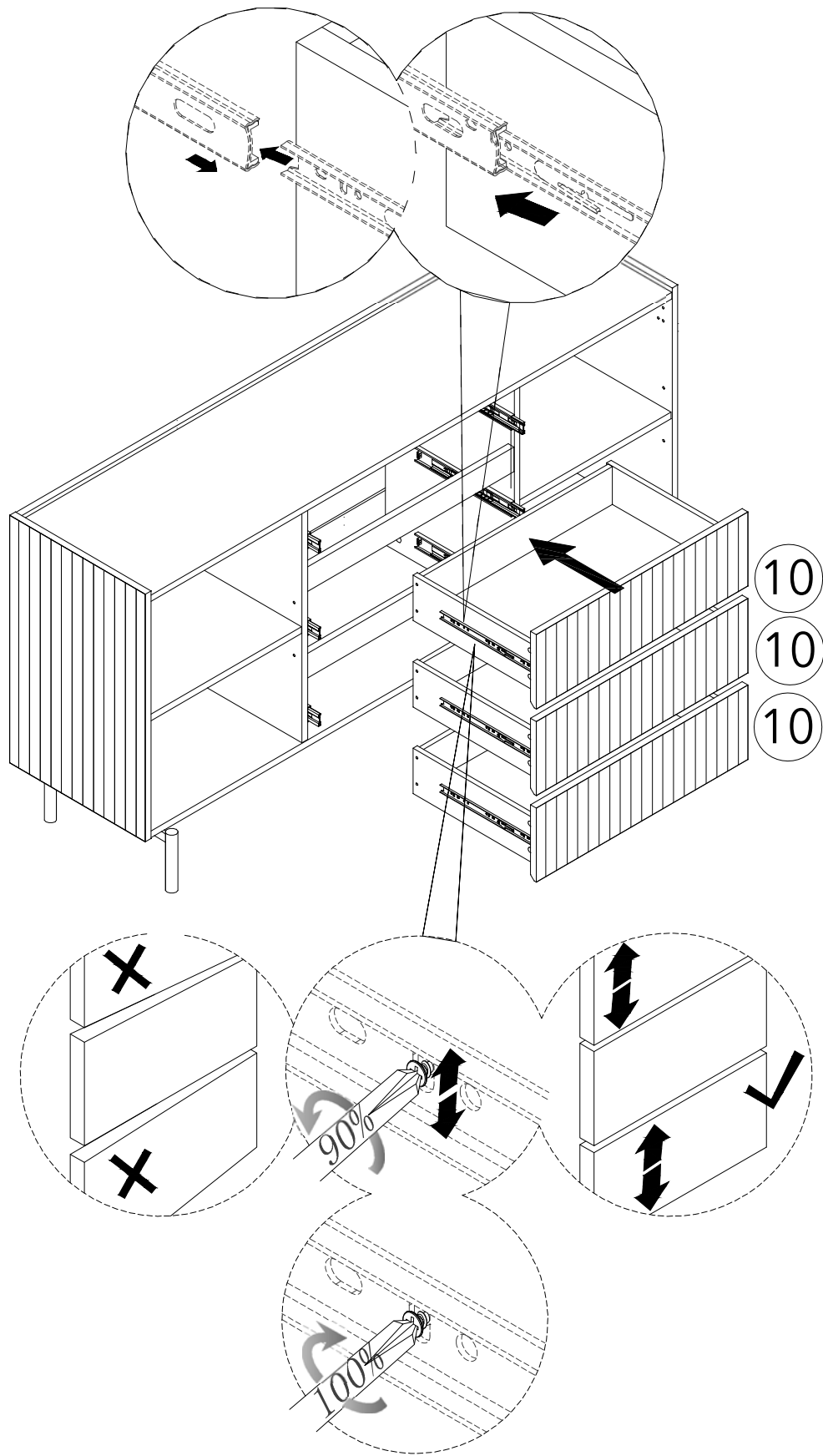


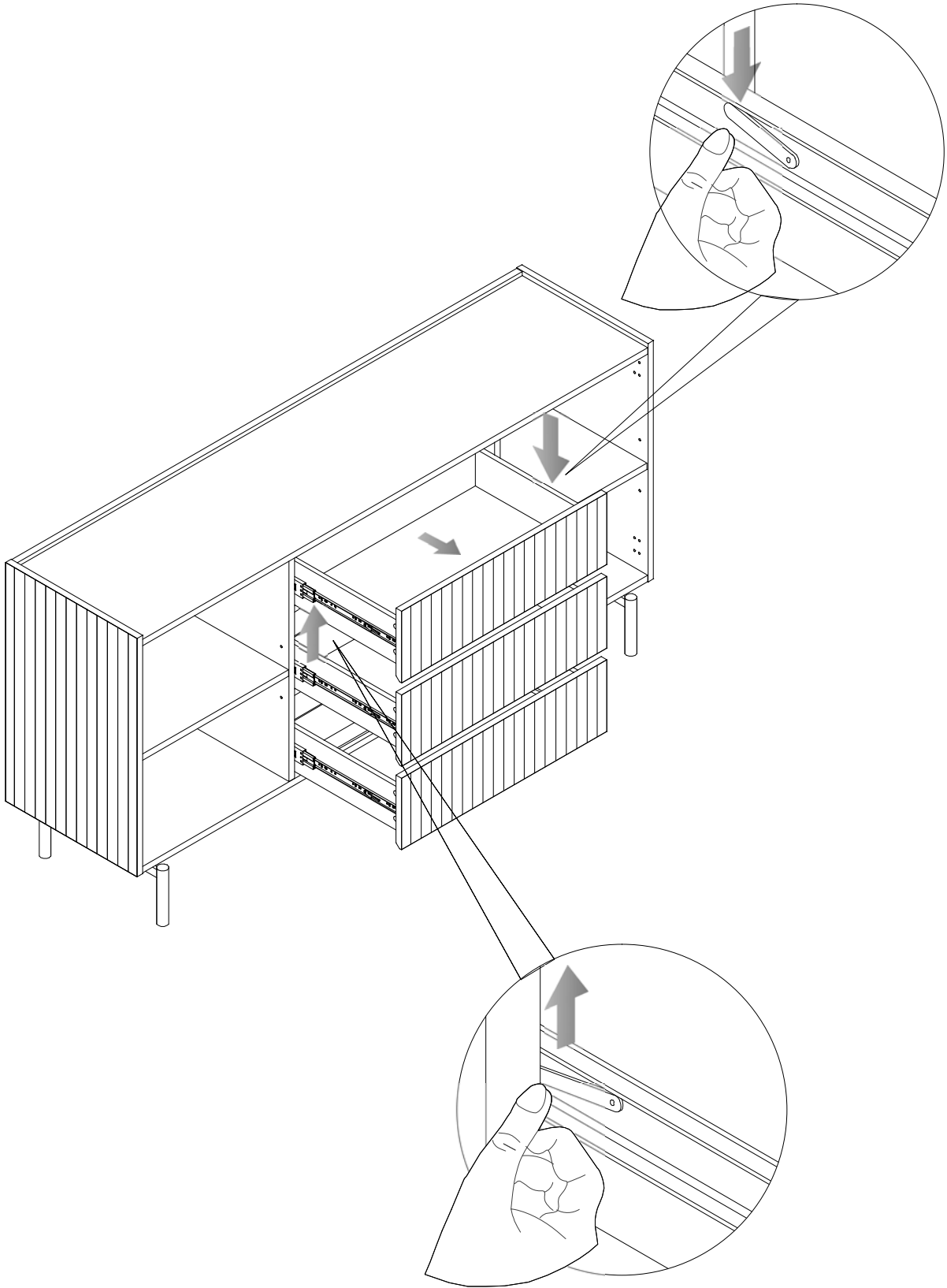
# 14 x3



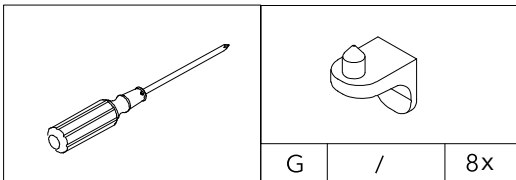
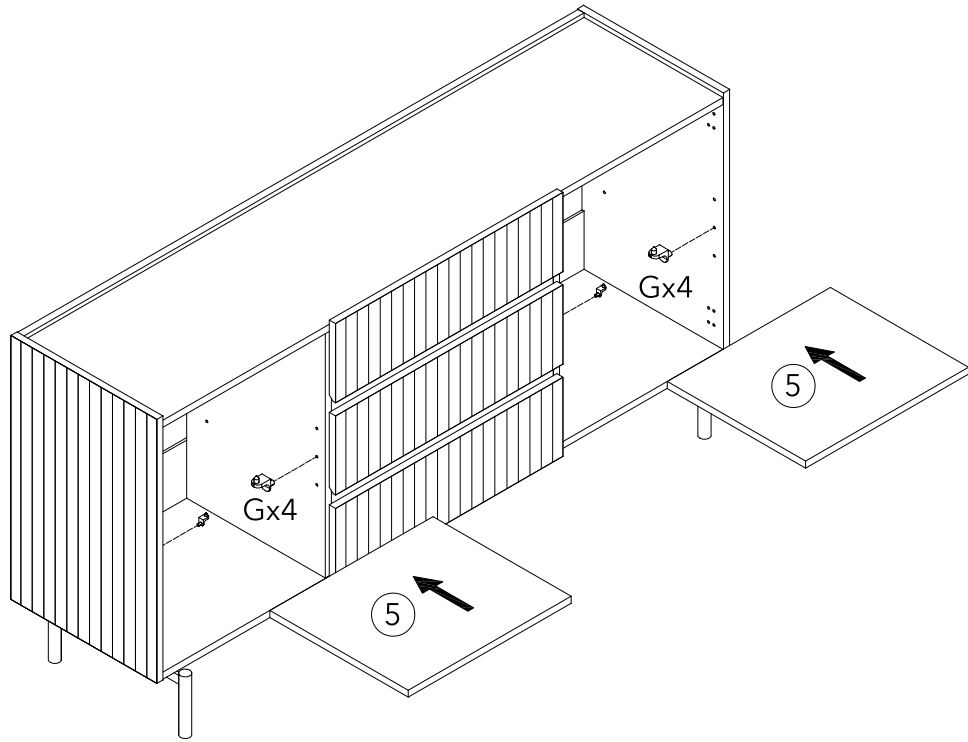
	
K 10" 3x	F M4x30 12x
	
D $\phi$ 12x10mm 12x	E M4x14 12x



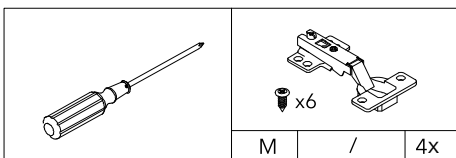
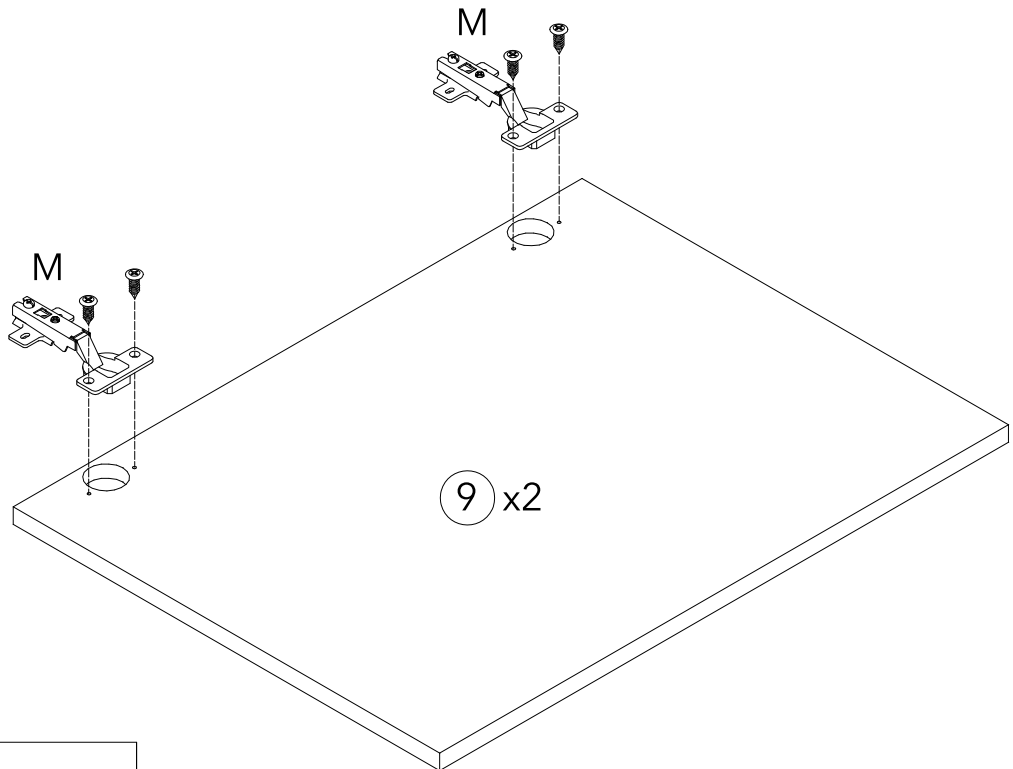


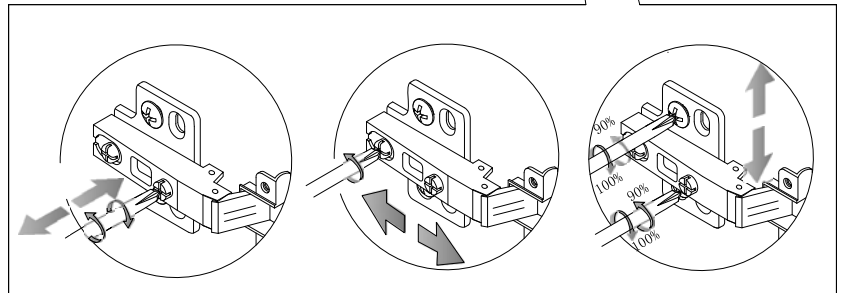
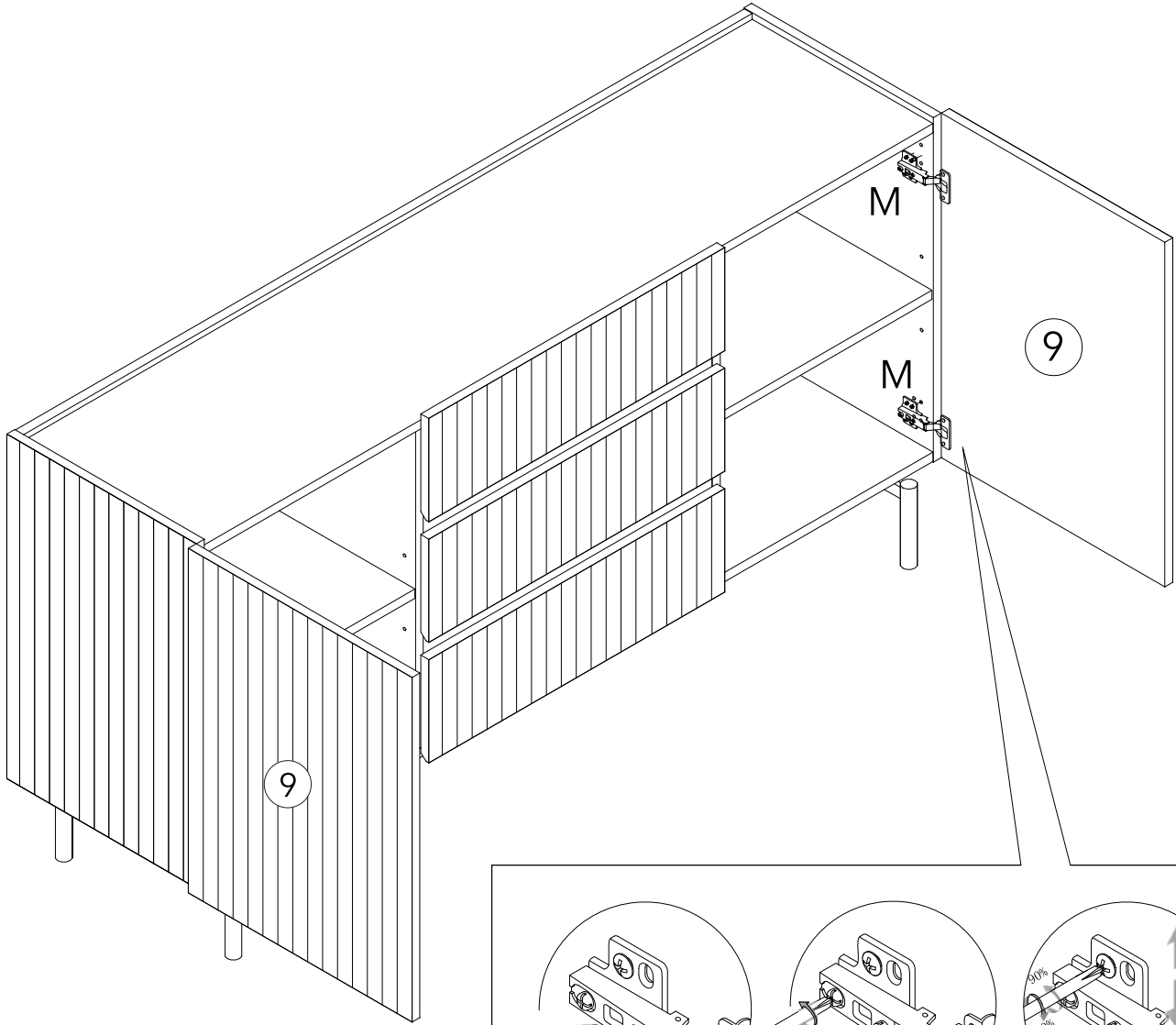


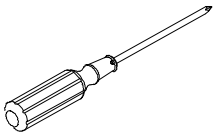
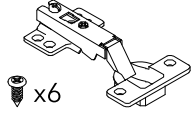
17



18





	 <p>x6</p>	
M	/	4x

