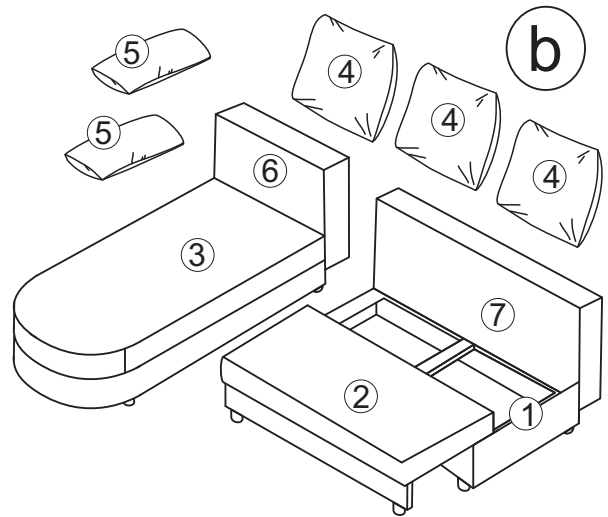
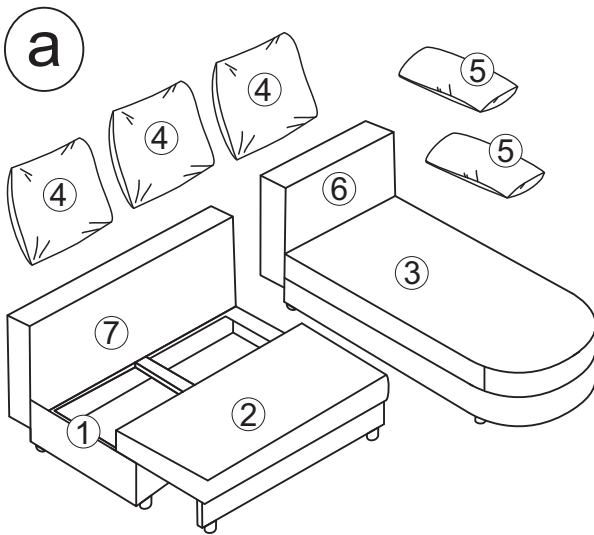
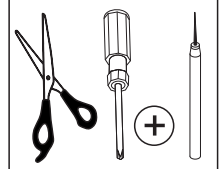
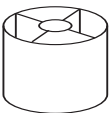

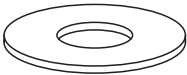



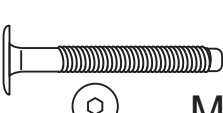




JENNY SOFA

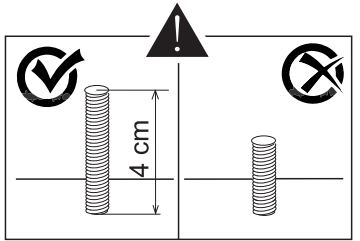
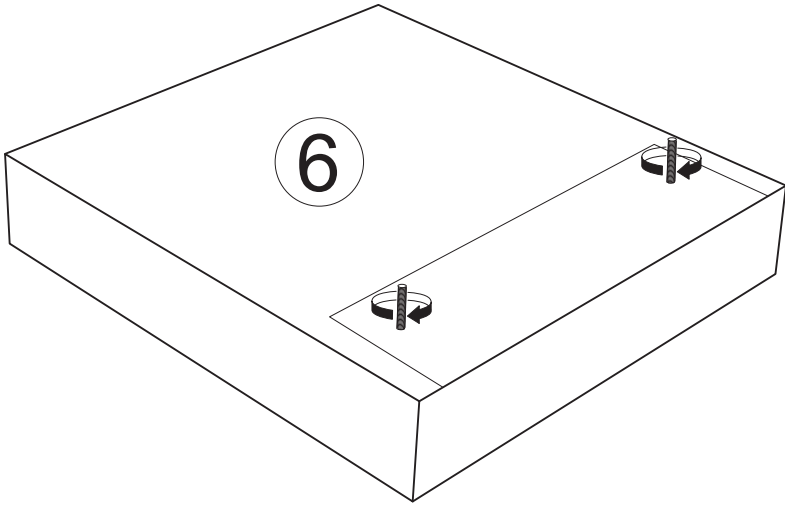
04-11/2020



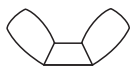
A	 Ax10 50x45	B	 Bx4 M8x63	C	 Cx6 M8	D	 Dx10 5x35
E	 Ex10 Felt ∅25	F	 Fx6 M8	J	 Jx4 M5x40	H	 Hx1 M4


1a,b

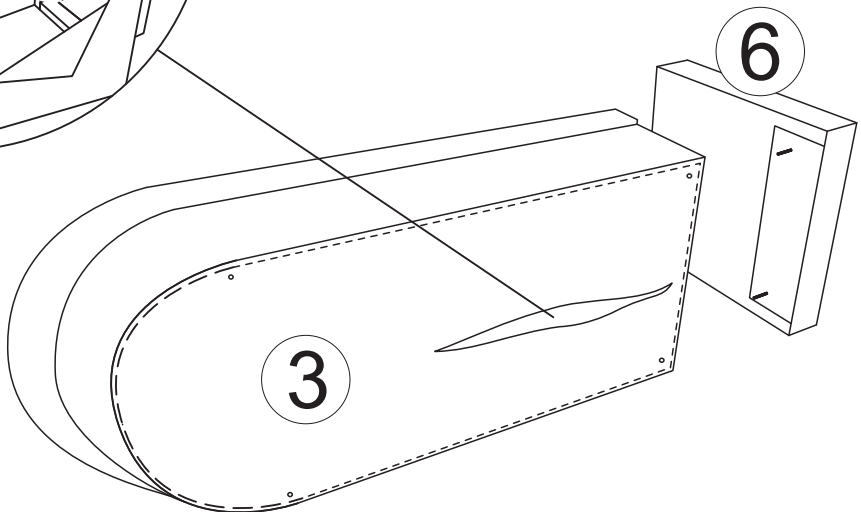
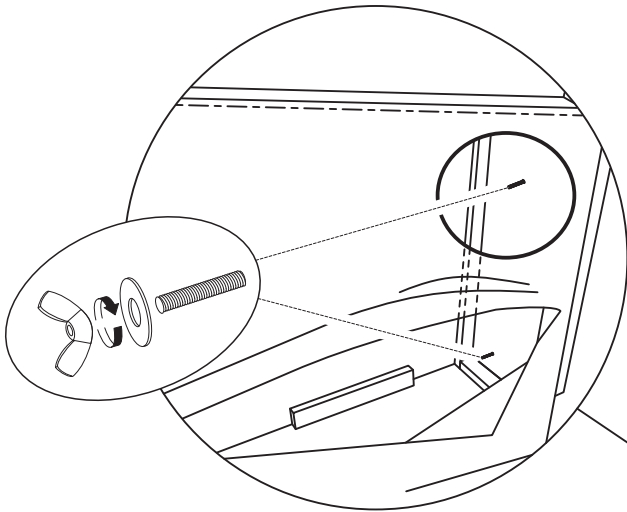
Bx2




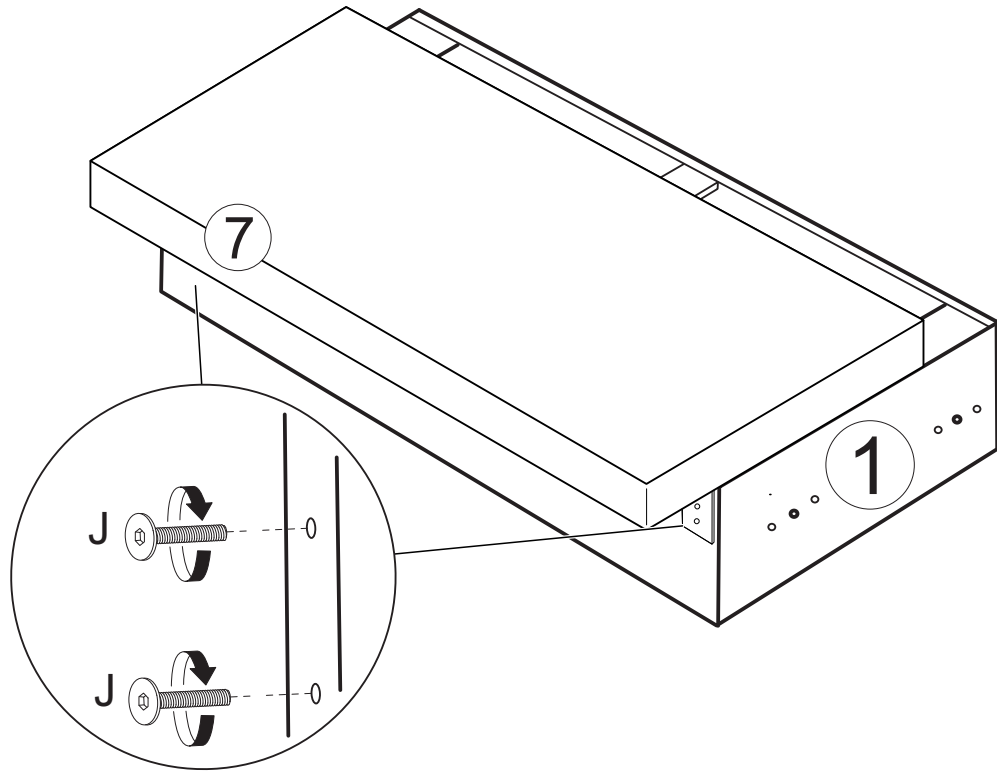
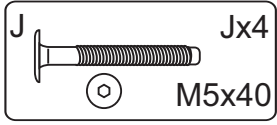
2a,b

Fx2


Cx2




3a,b



4a

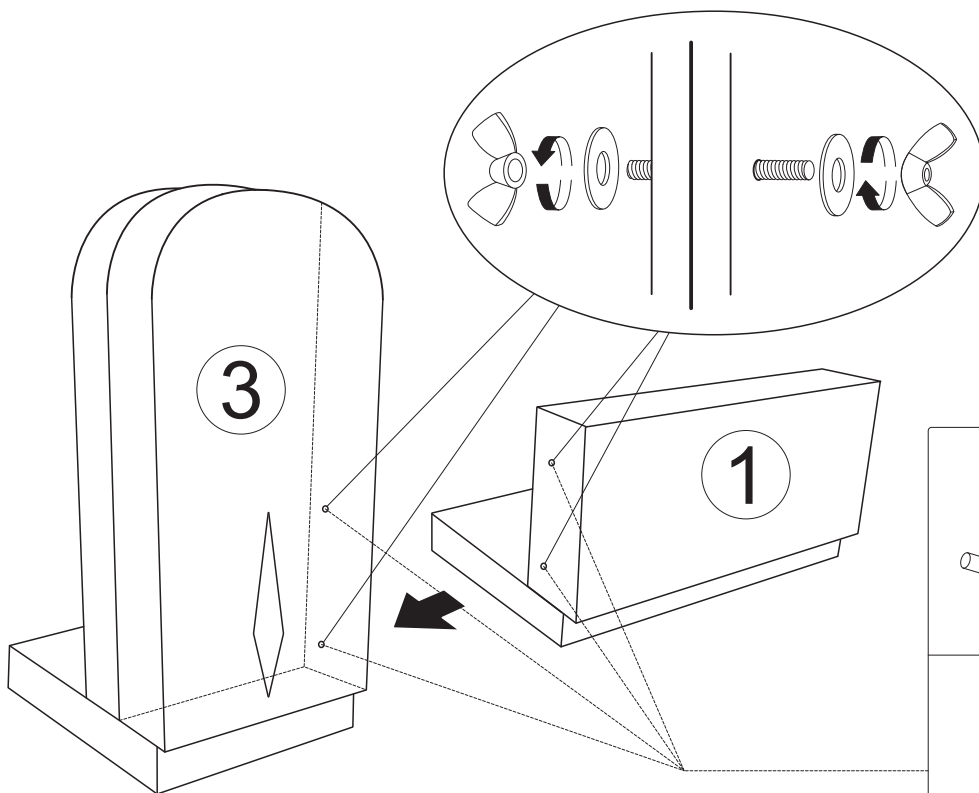
Fx4



Cx4

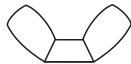


Bx2



4b

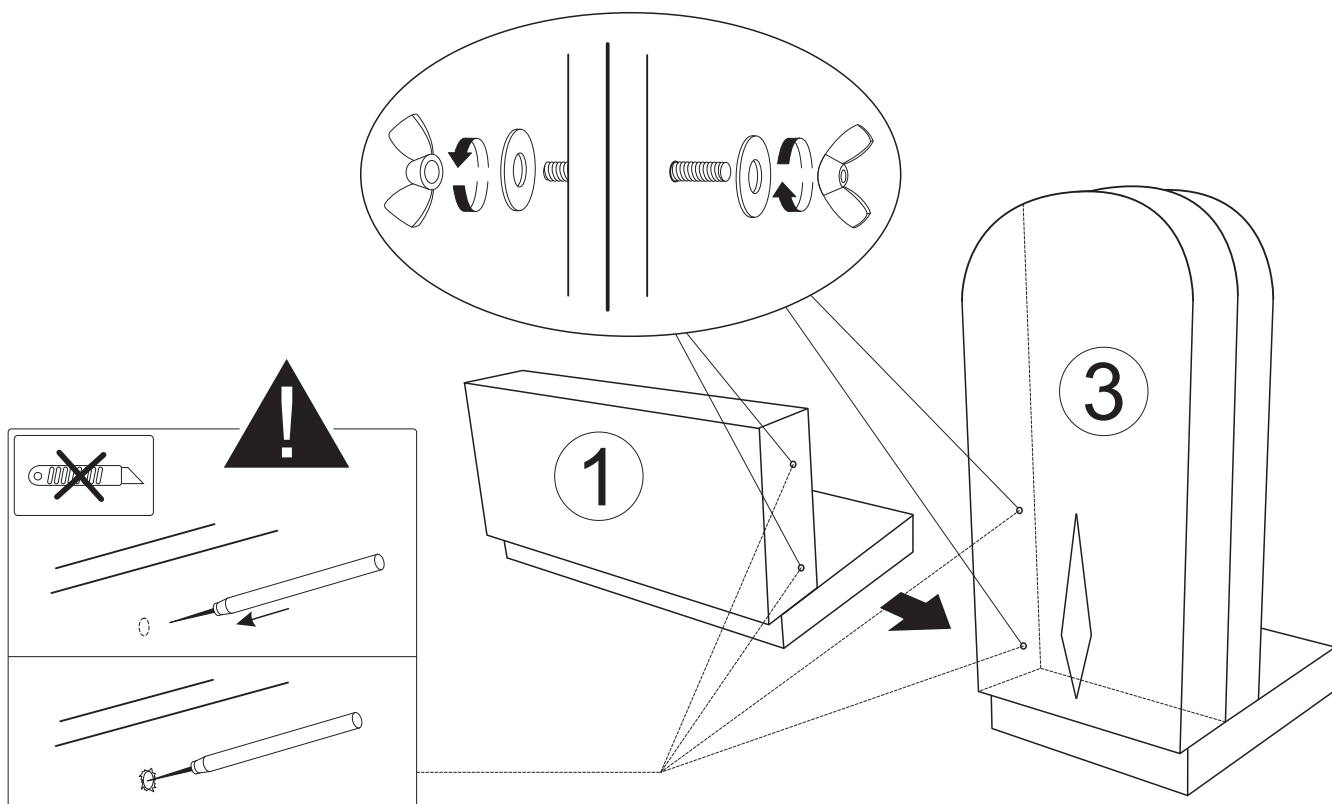
Fx4



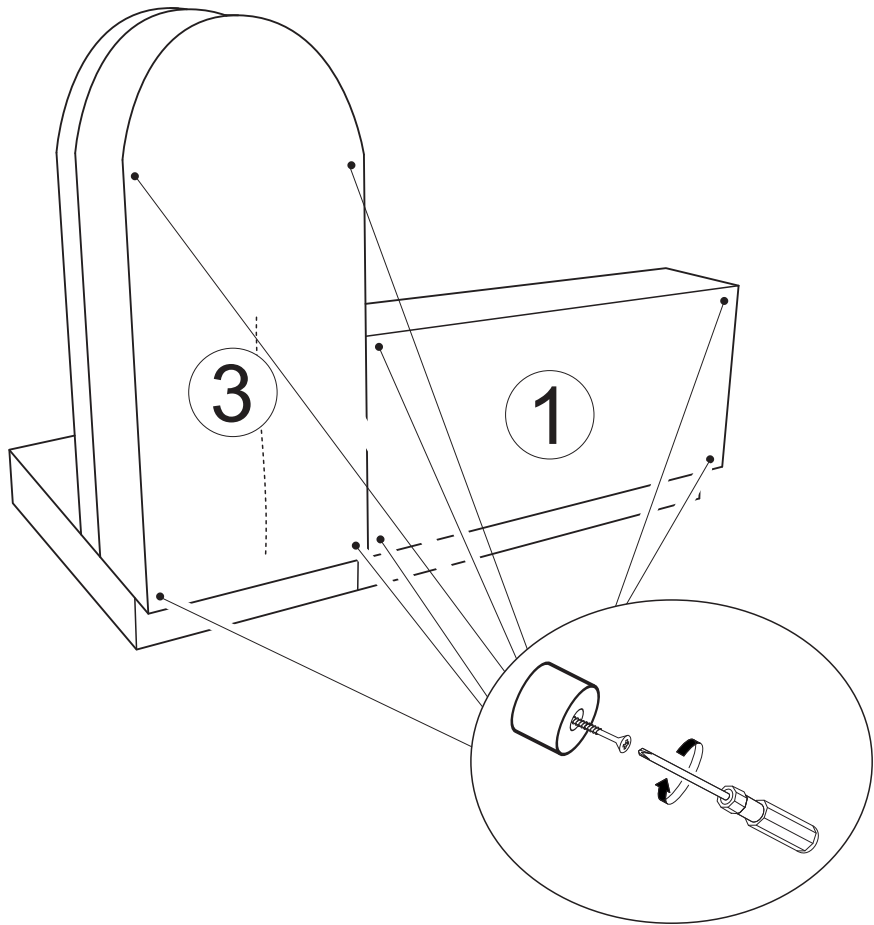
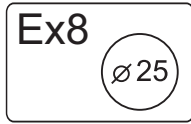
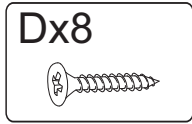
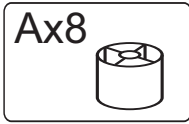
Cx4



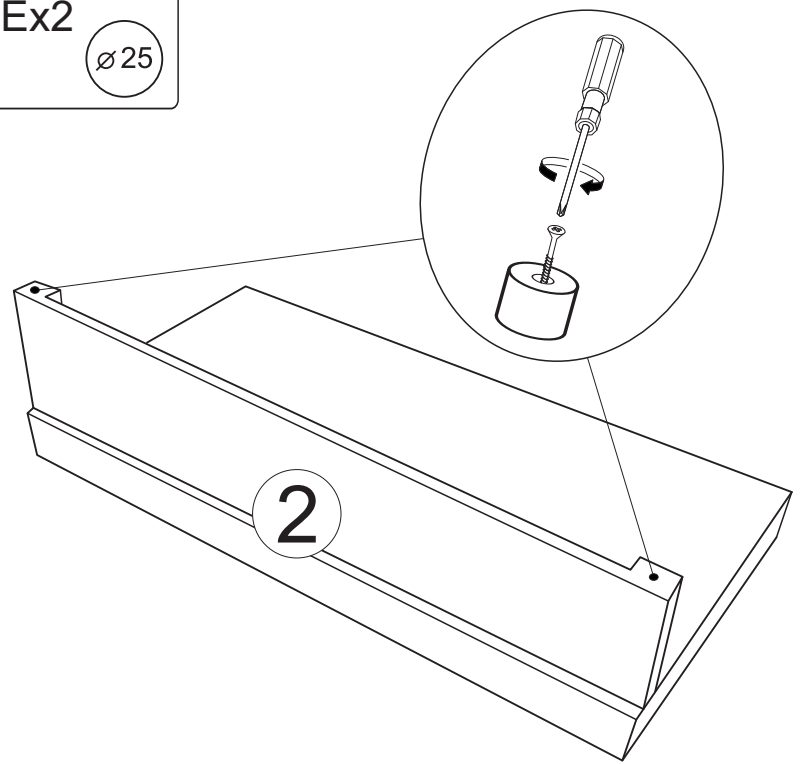
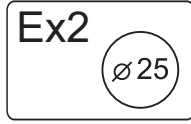
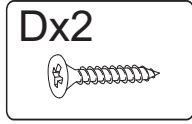
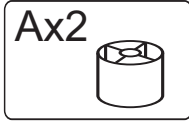
Bx2



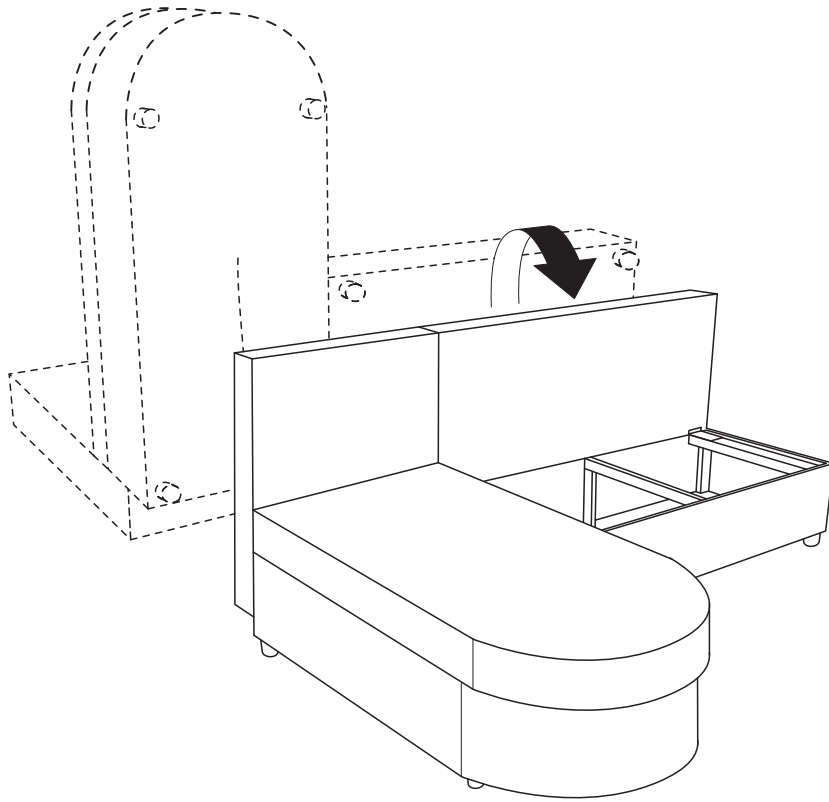
5a,b



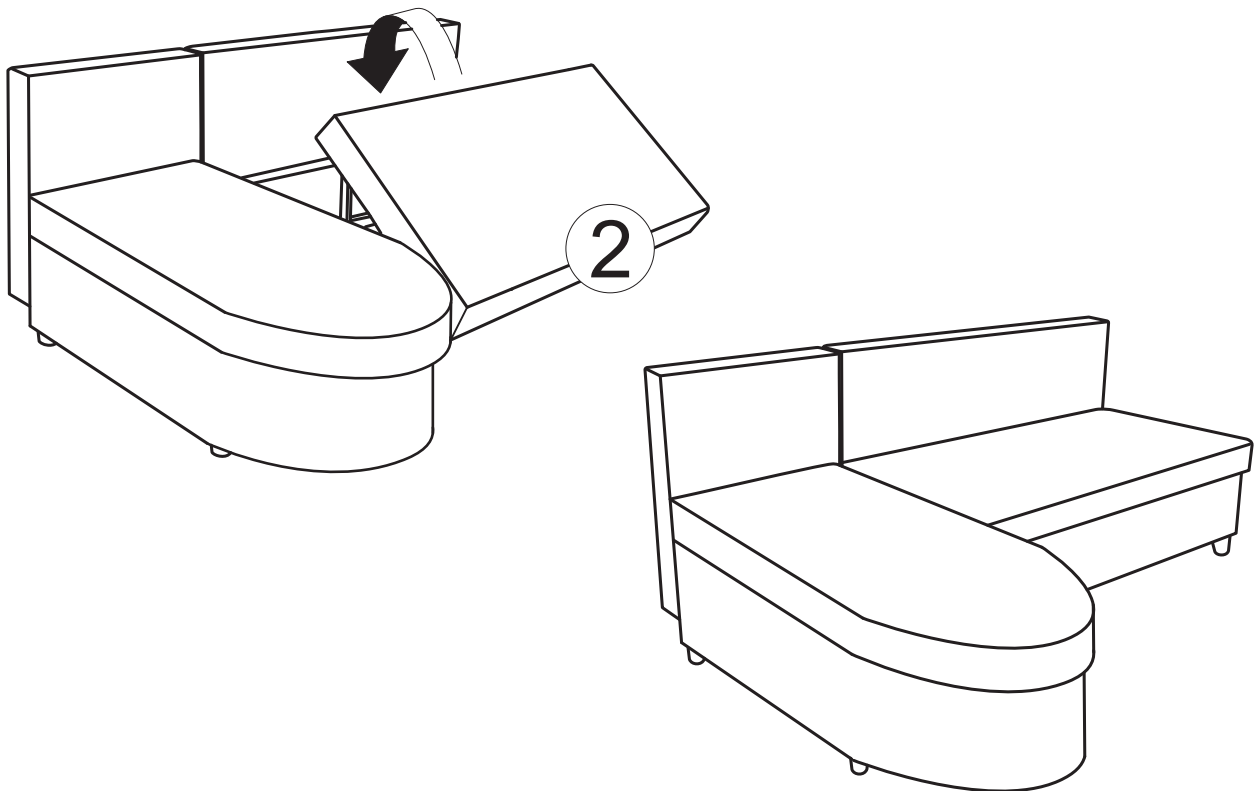
6a,b



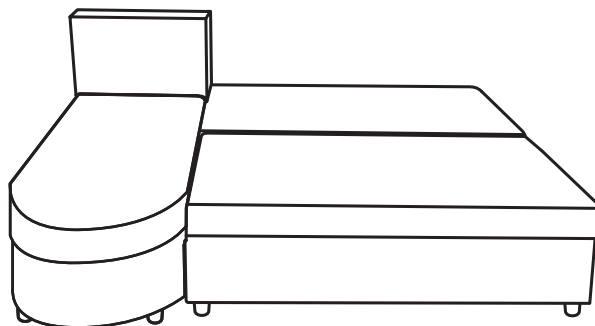
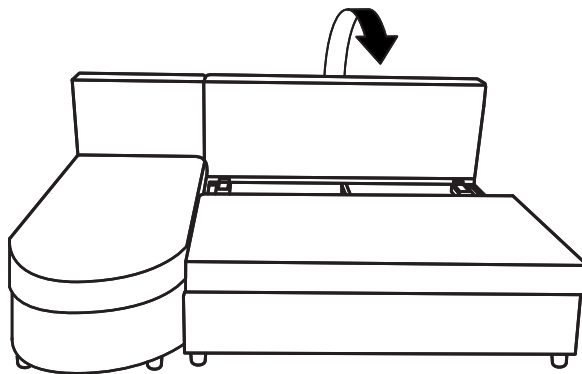
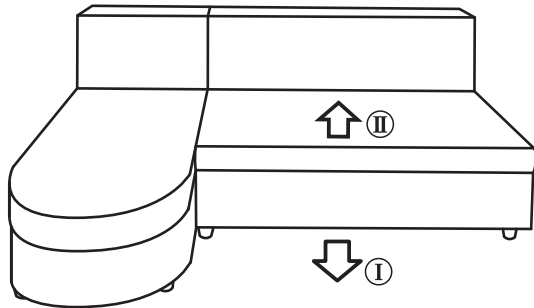
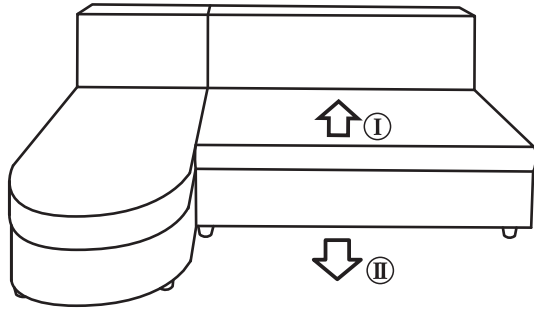
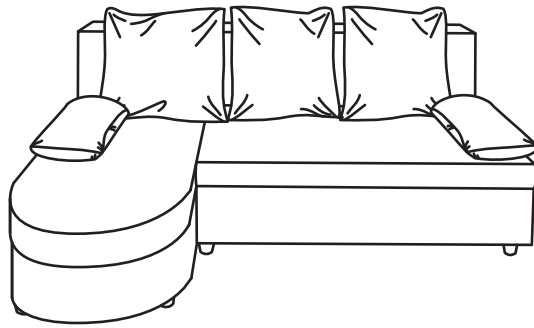
7a,b



8a,b



9a,b



Achtung!

