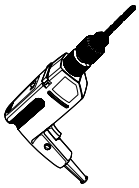
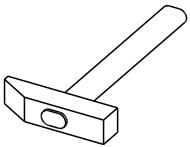
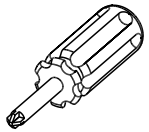
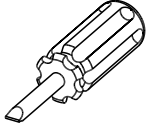
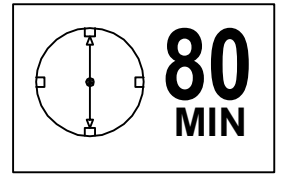
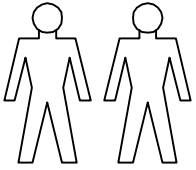
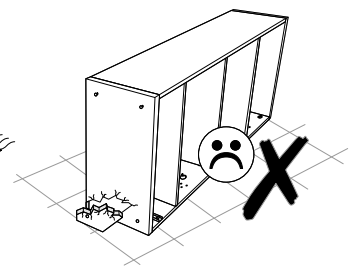
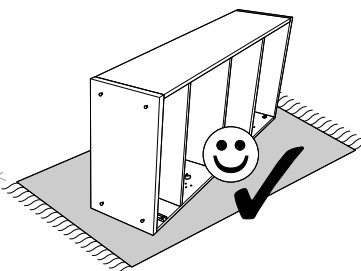
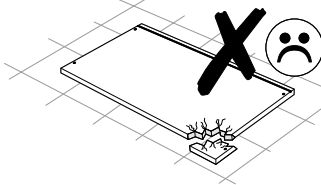
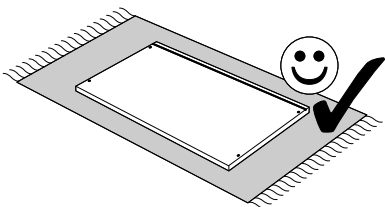
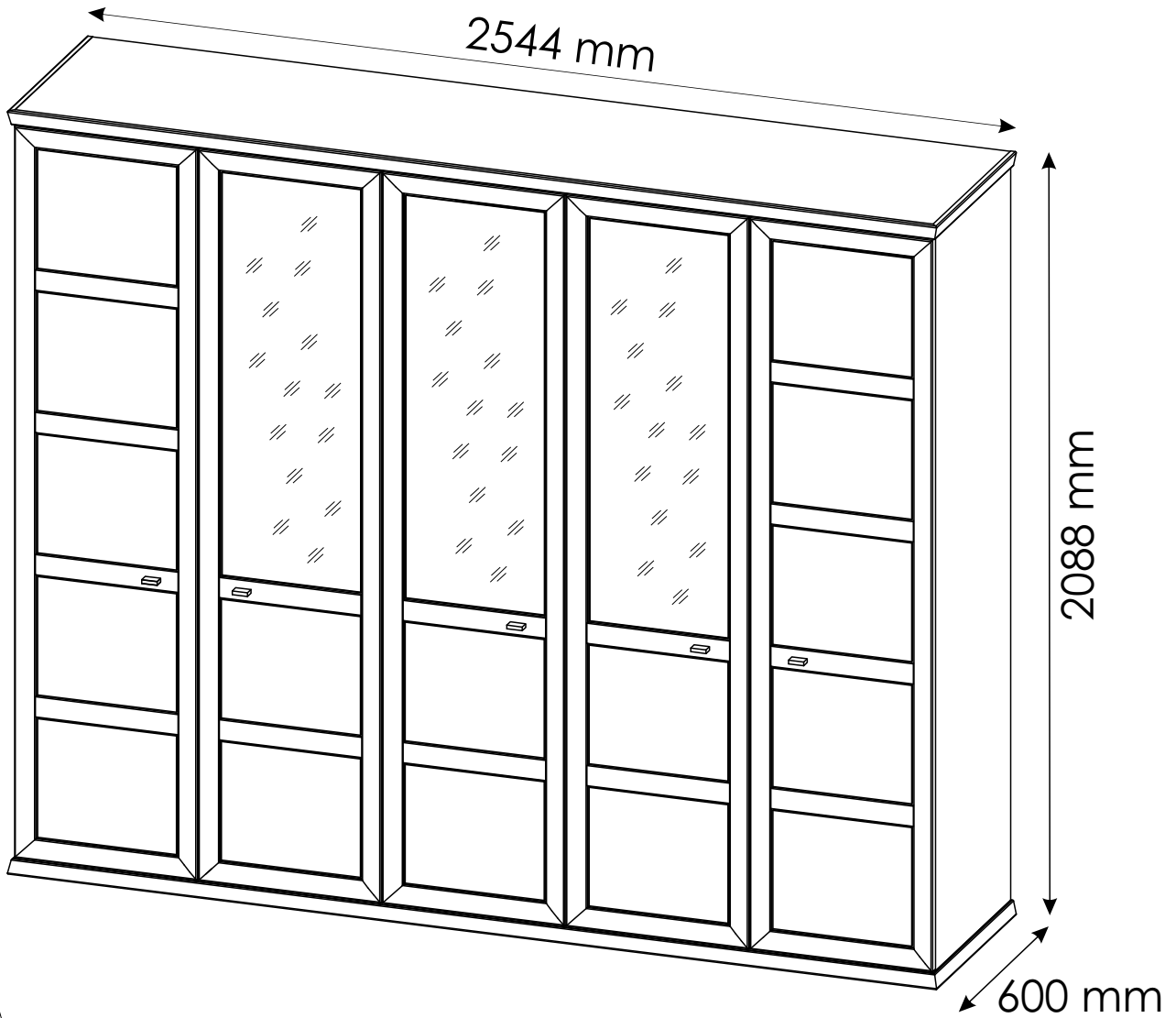
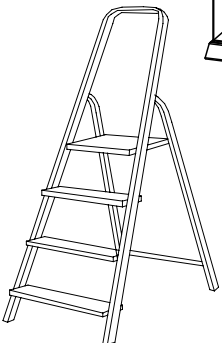


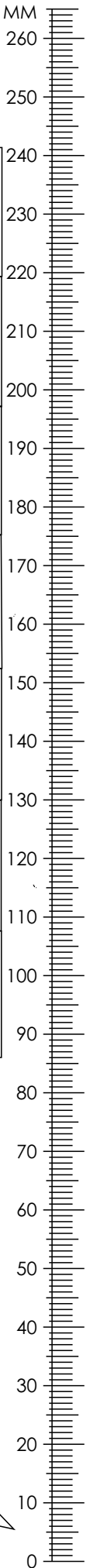
CAMRON - DREHTÜRENSCHRANK

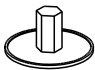



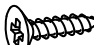


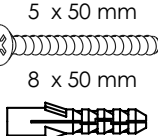

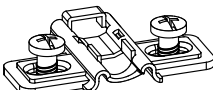
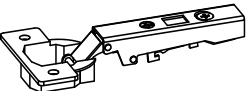
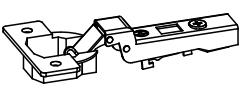
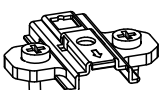



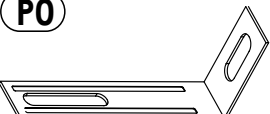

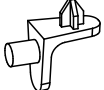
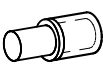



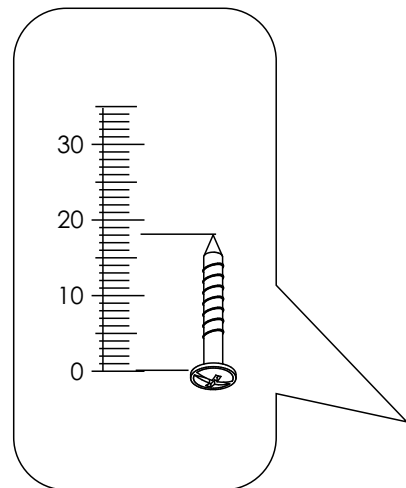
Ø8



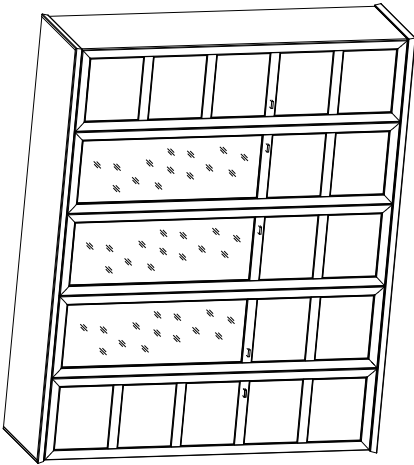
CAMRON - DREHTÜRENSCHRANK



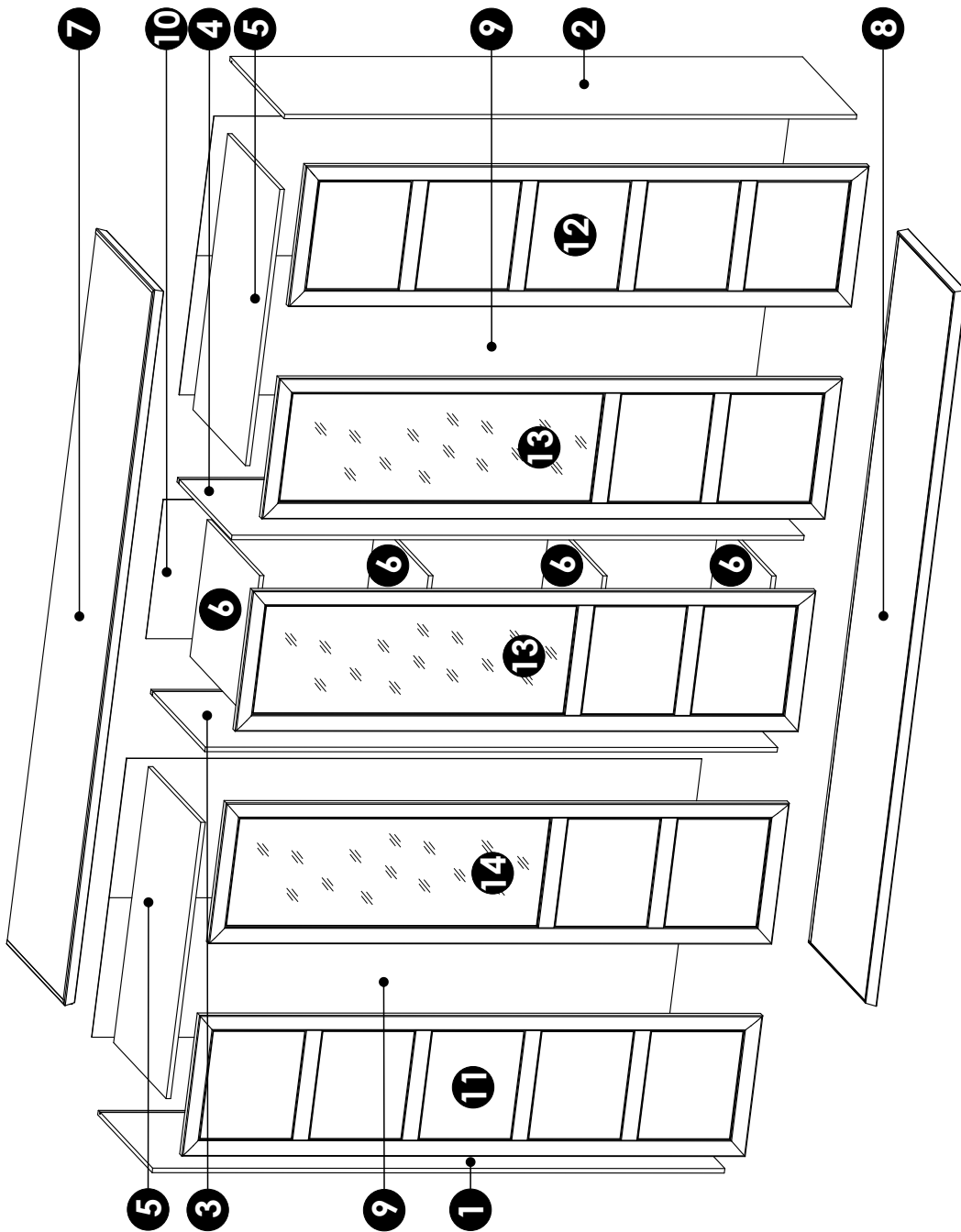
C0  x16	C2  x16	C10 6.3 x 20 mm  x8
D5 3.5 x 16 mm  x4	D10 4 x 16 mm  x40	D21 5 x 13 mm  x2
D30 EURO 6.3 x 13 mm  x26	E0 5 x 50 mm 8 x 50 mm  x2	H2 4 x 22 mm  x10
J3  x12	J10  x8	J13  x12
J14  x8	L6  x5	M0  x26
O0  x4	P0  x2	S0 L-972  x2
Q3  x16	Q4  x4	U2  x12

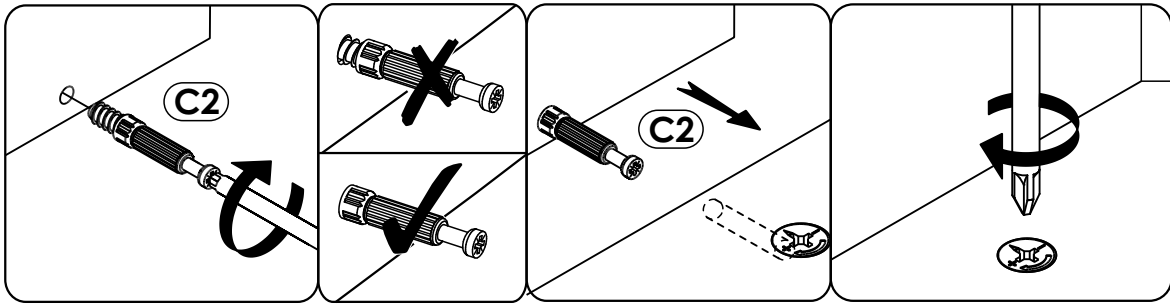


CAMRON - DREHTÜRENSCHRANK


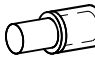



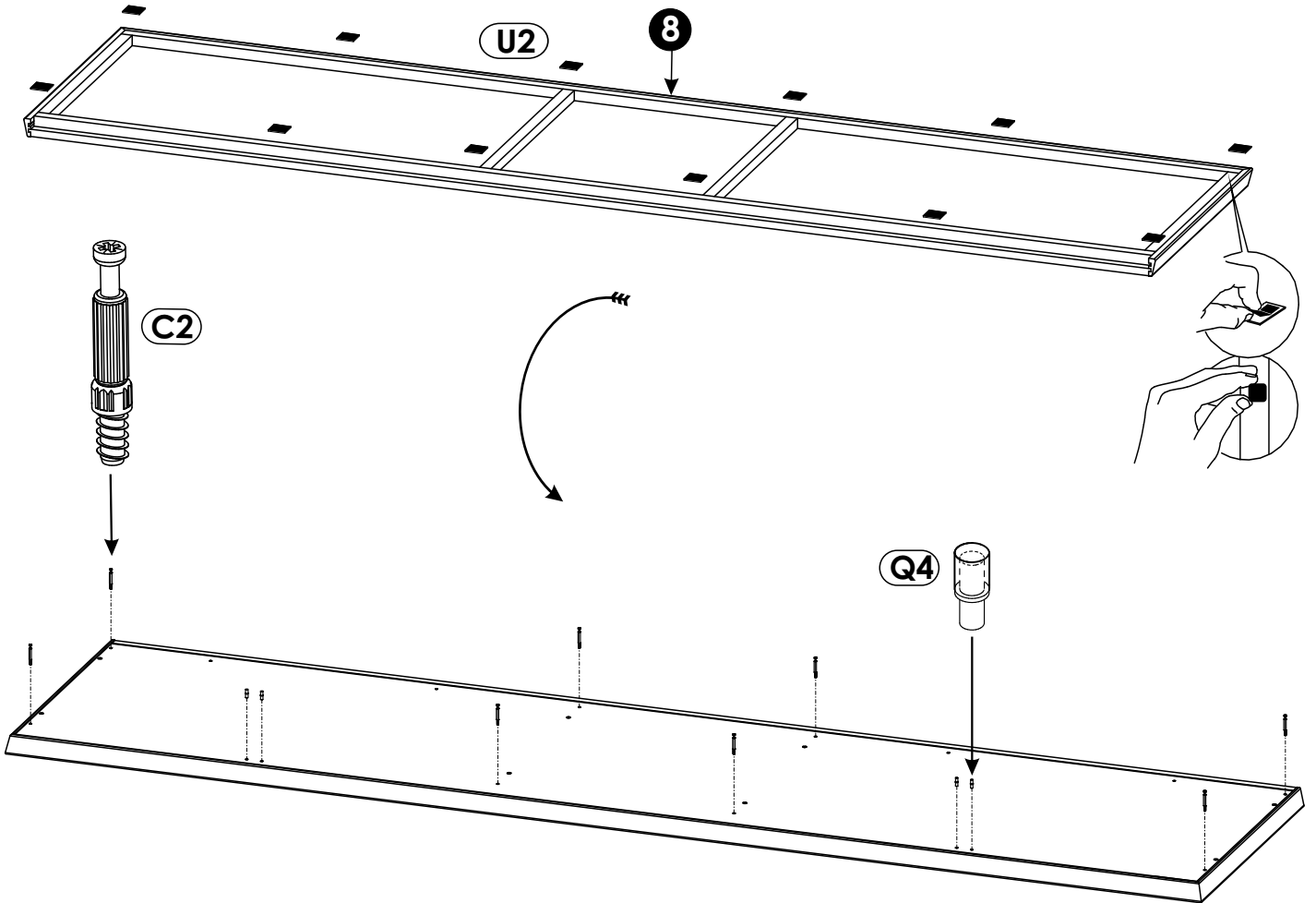
1	2032	565	16 x1	1/8
2	2032	565	16 x1	1/8
3	2032	565	16 x1	2/8
4	2032	565	16 x1	2/8
5	981	545	16 x2	3/8
6	486	536	16 x4	3/8
7	2544	600	40 x1	7/8
8	2544	600	40 x1	8/8
9	2042	990	2,8 x1	1/8
9	2042	990	2,8 x1	2/8
10	2042	494	2,8 x1	1/8
11	2000	500	25 x1	4/8
12	2000	500	25 x1	4/8
13	2000	500	25 x2	5/8
14	2000	500	25 x1	6/8
S0			x2	3/8





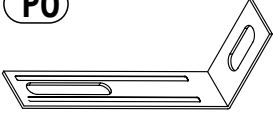


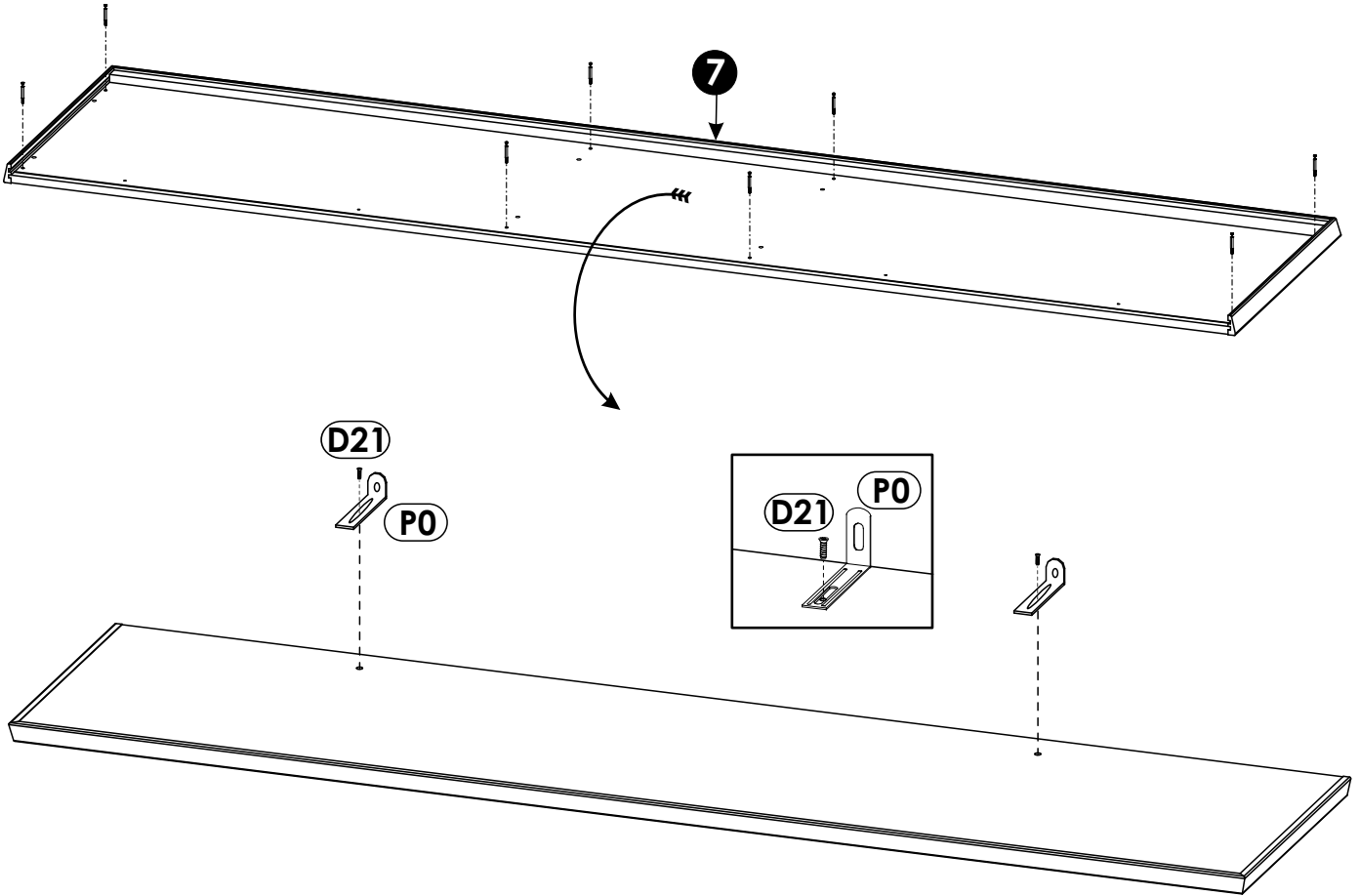
1 ▶

<p>C2 x8</p> 	<p>Q4 x4</p> 	<p>U2 x12</p> 
---	---	--



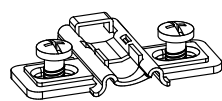
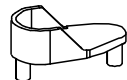


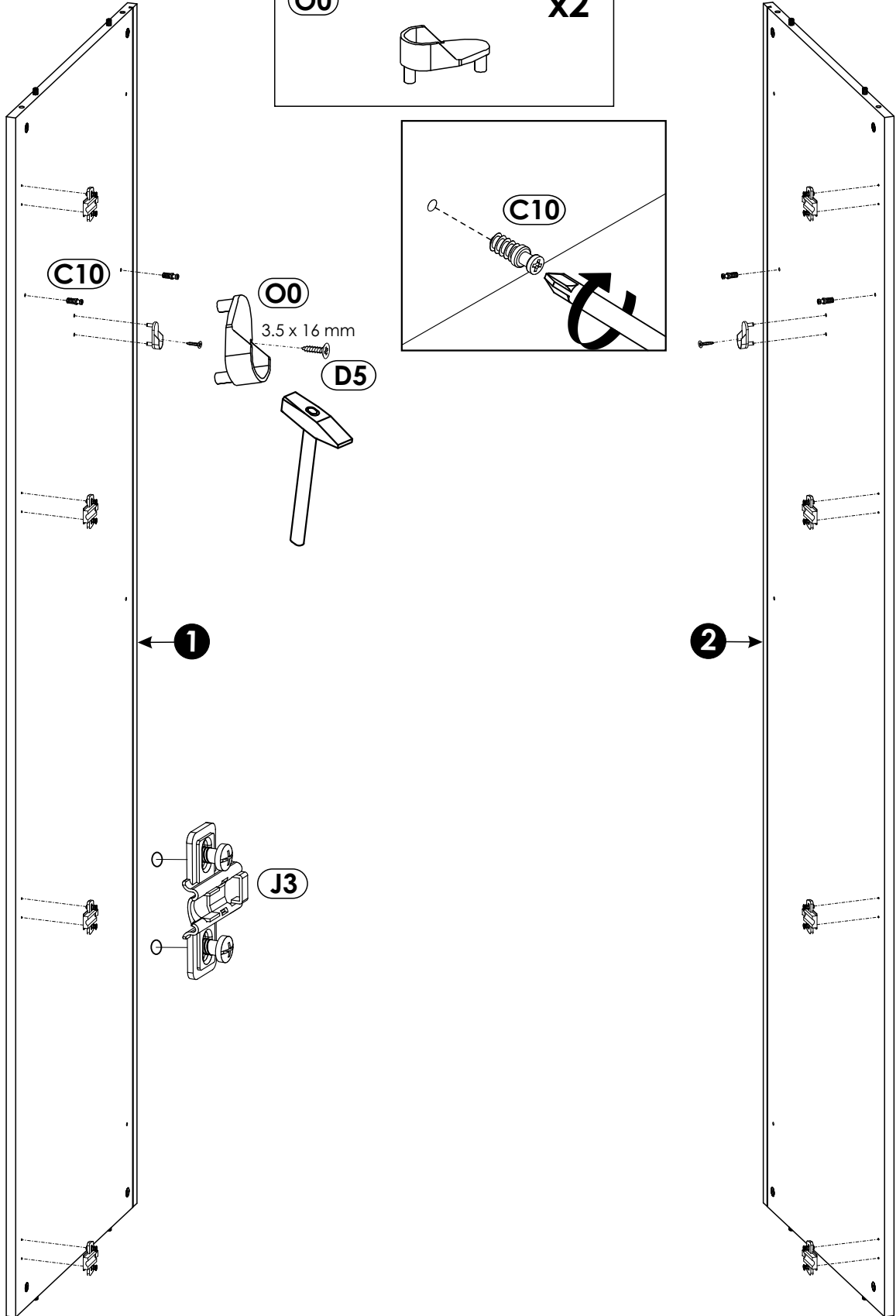
2▶

C2 	x8	D21 5 x 13 mm 	x2	P0 	x2
--	-----------	--	-----------	--	-----------

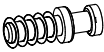

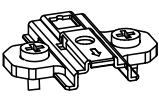


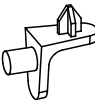
3 ▶

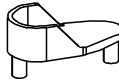
<p>C10 6.3 x 20 mm x4</p> 	<p>D5 3.5 x 16 mm x2</p> 	<p>J3 x8</p> 
<p>O0 x2</p> 		

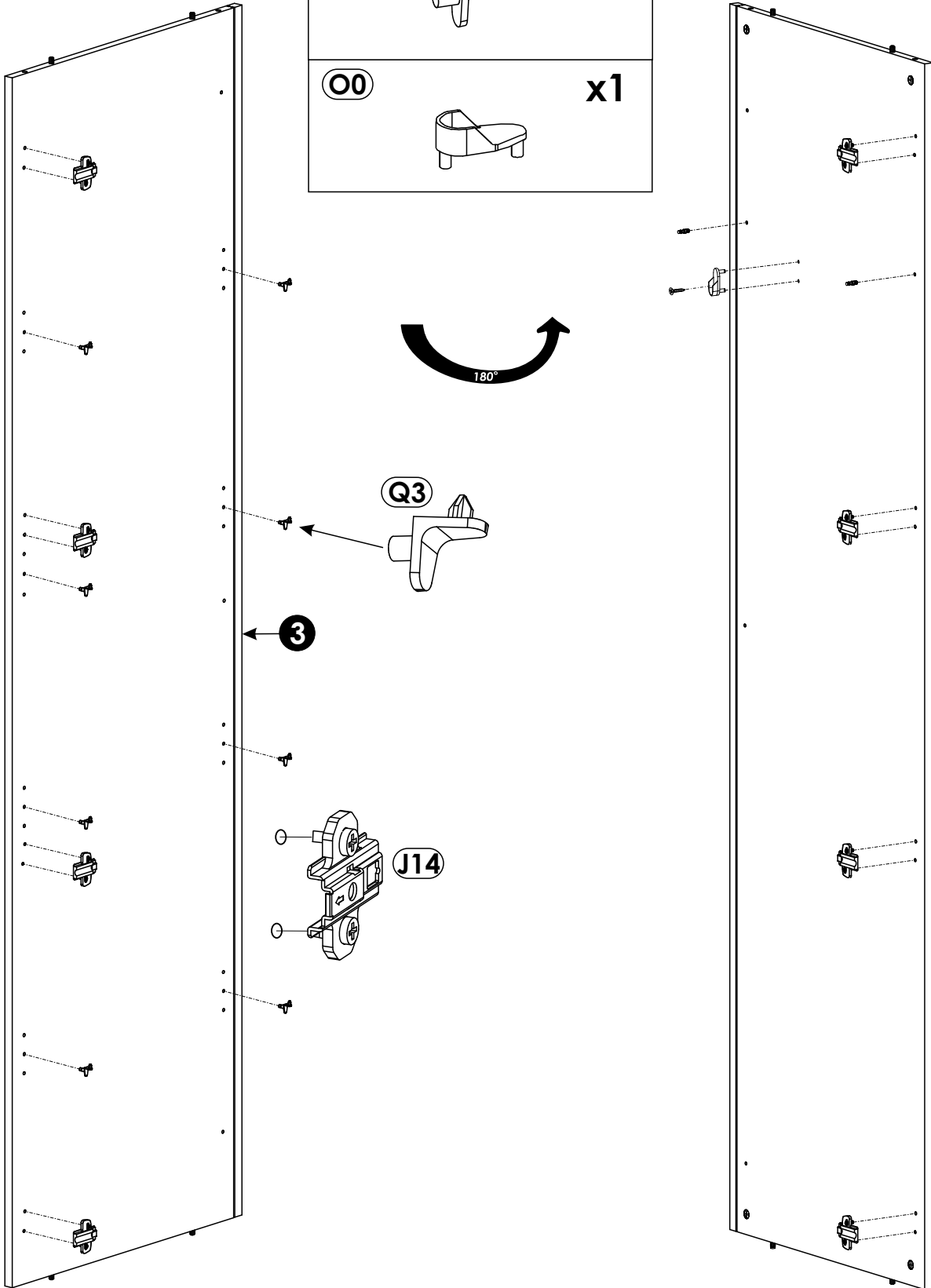


4 ▶



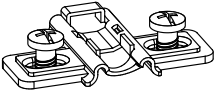
C10 6.3 x 20 mm 	x2	D5 3.5 x 16 mm 	x1	J14 	x8
--	-----------	---	-----------	---	-----------


Q3 	x8
--	-----------

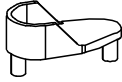
O0 	x1
--	-----------

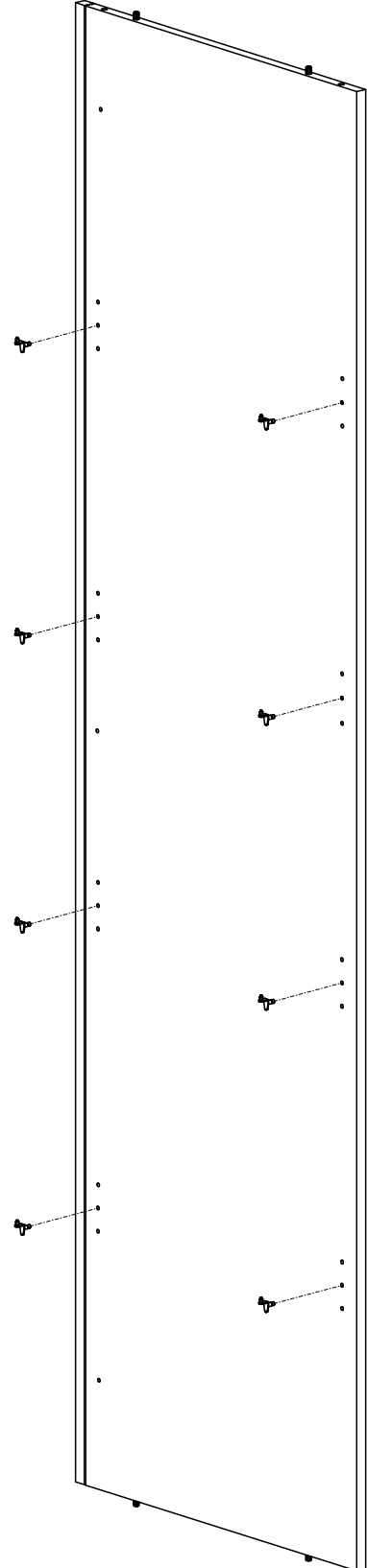
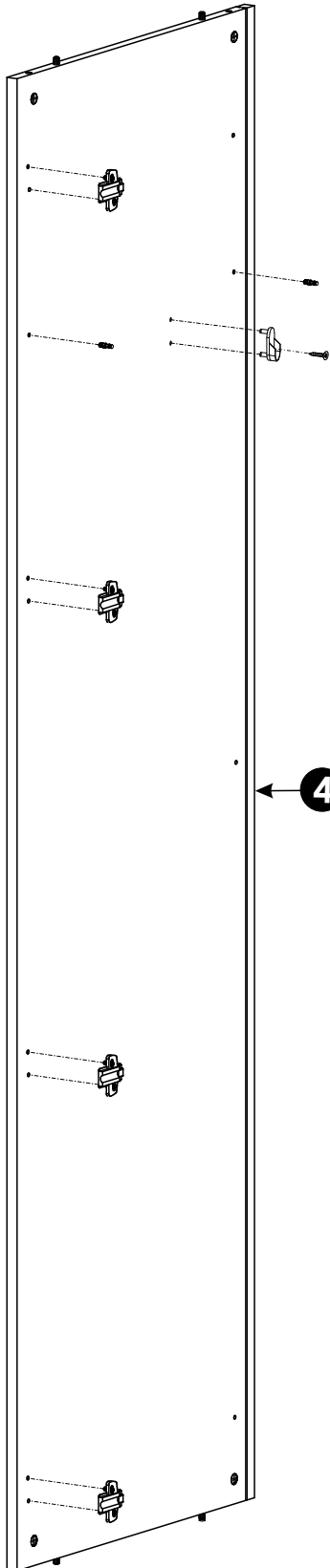


5 ▶

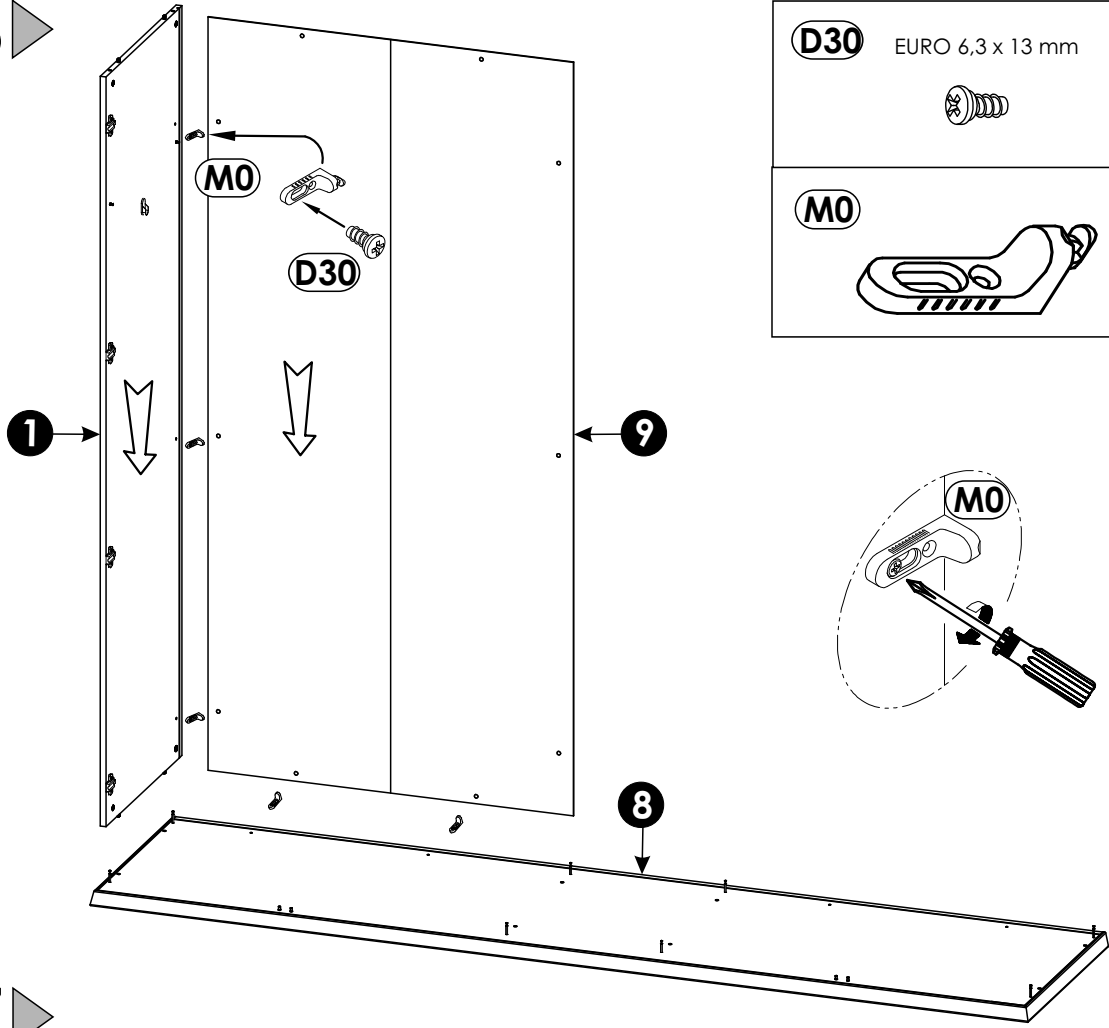
C10 6.3 x 20 mm 	x2	D5 3.5 x 16 mm 	x1	J3 	x4
--	-----------	---	-----------	--	-----------


Q3 	x8
--	-----------

O0 	x1
--	-----------

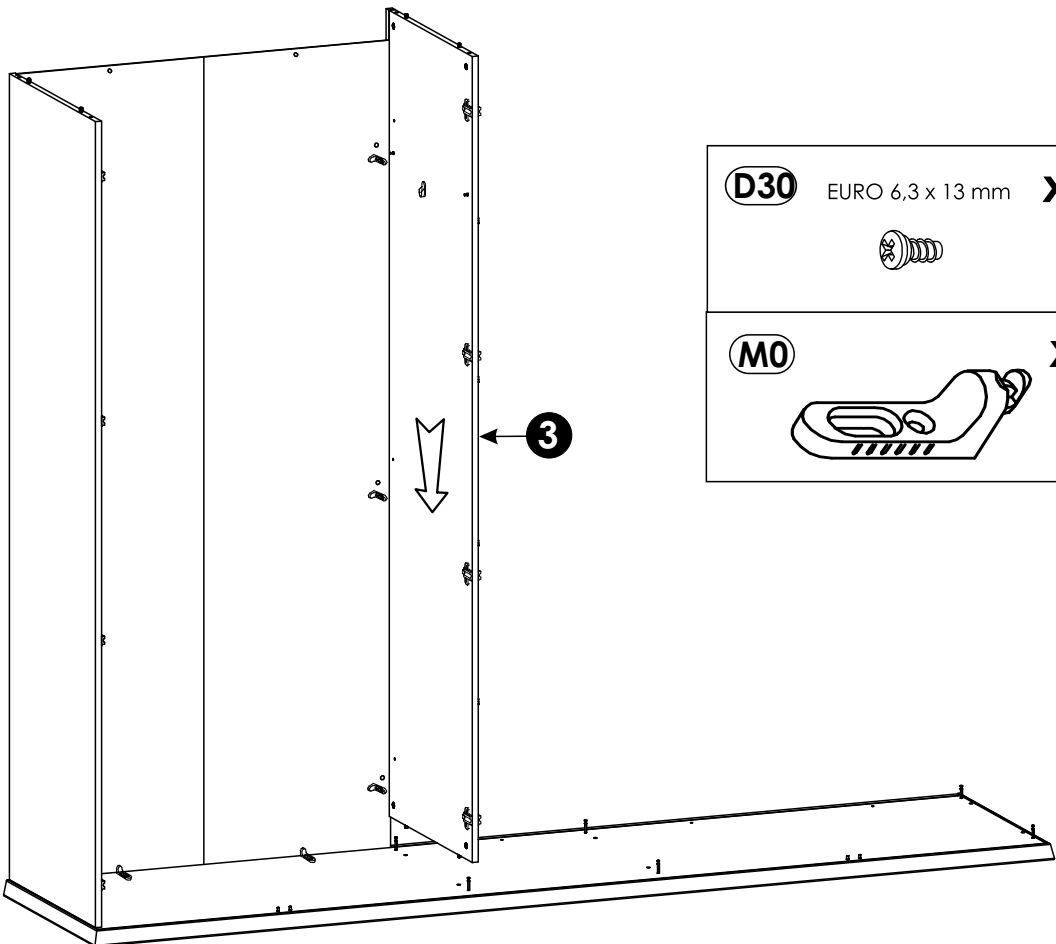



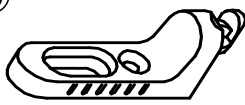
6 ▶

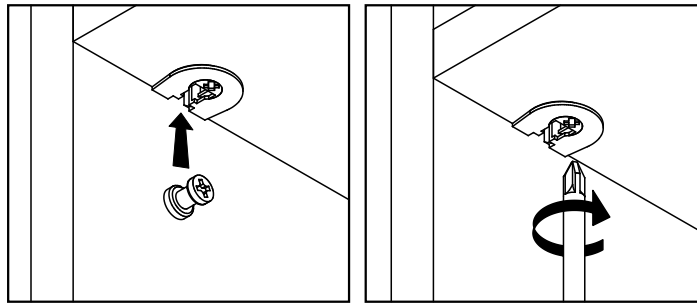


D30	EURO 6,3 x 13 mm	x5
		
M0		x5
		

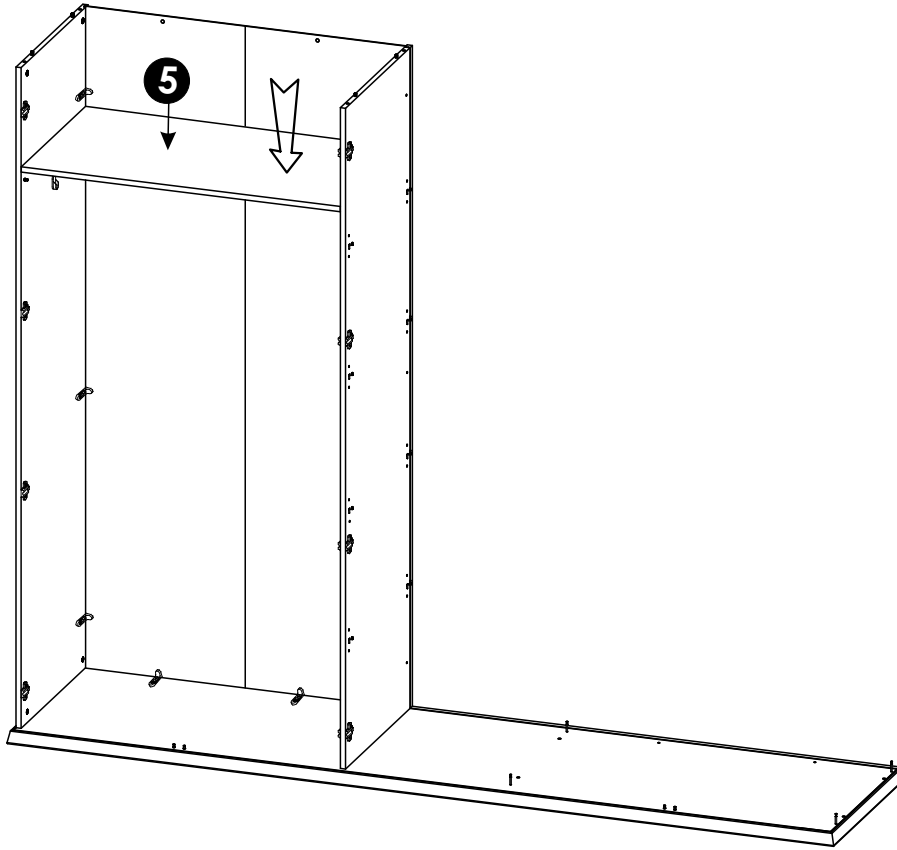
7 ▶



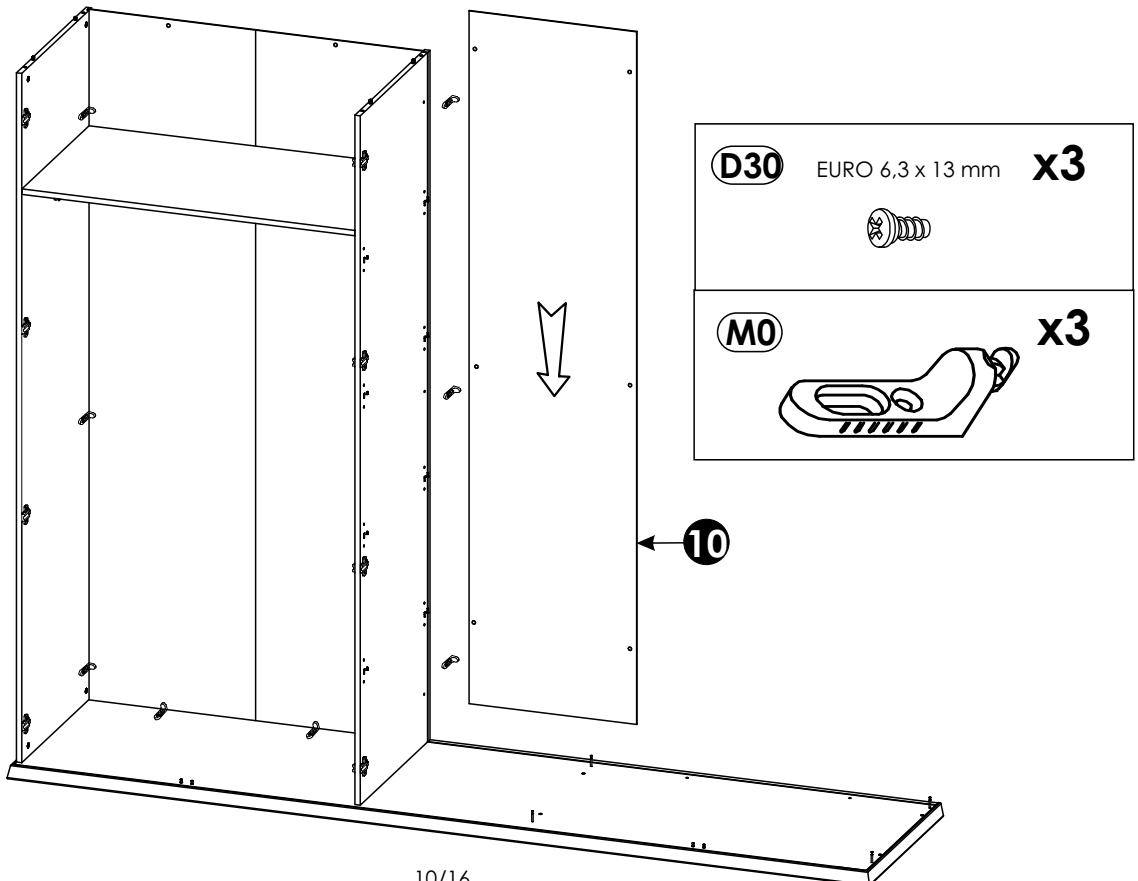
D30	EURO 6,3 x 13 mm	x3
		
M0		x3
		





8 ▶

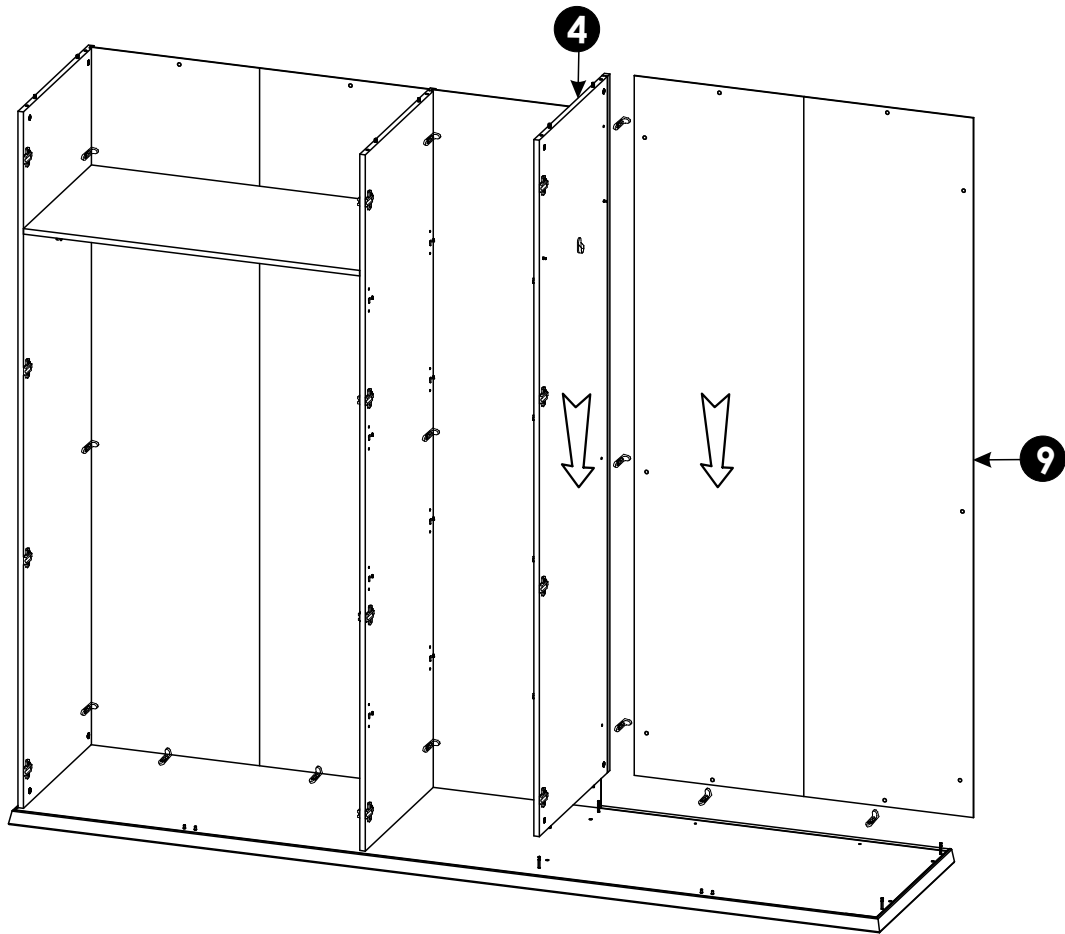


9 ▶





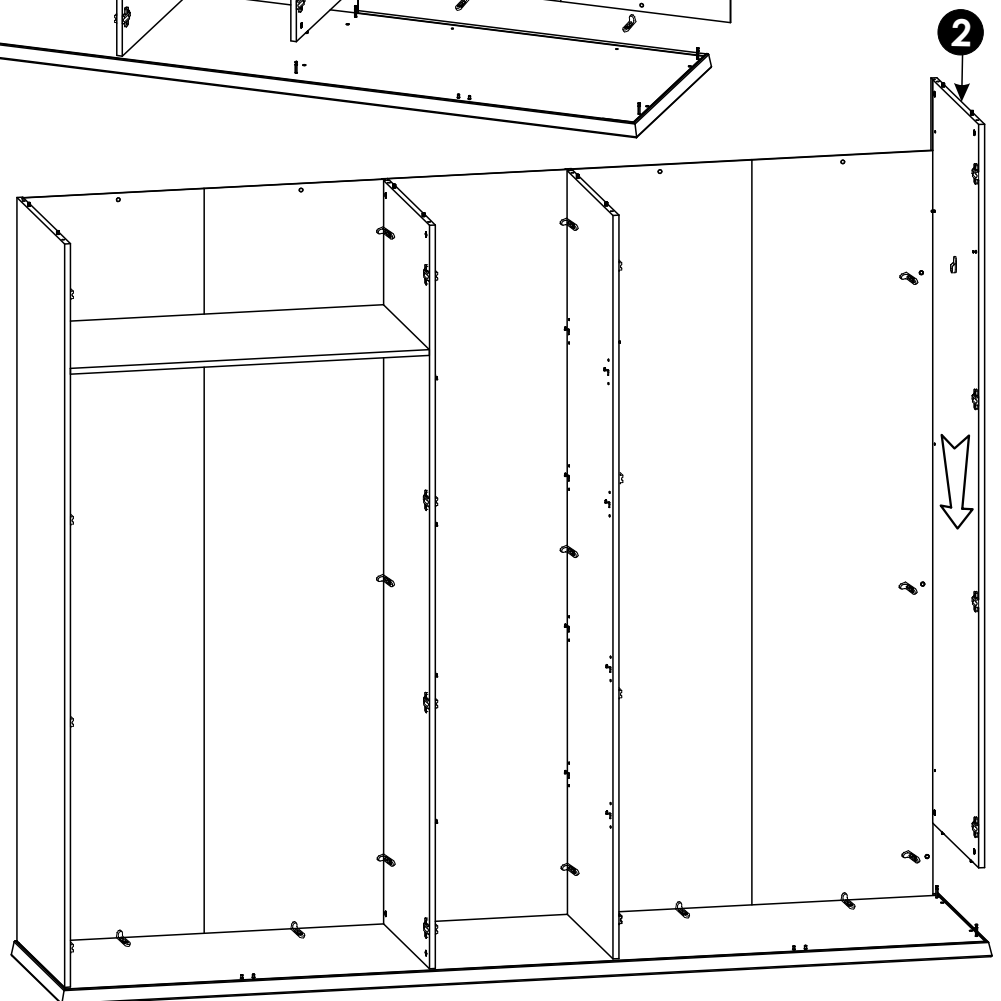
10 ▶

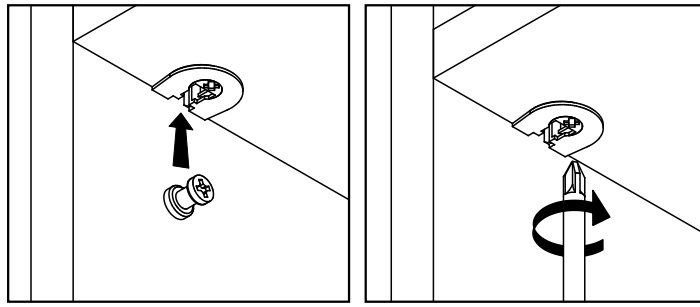
D30	EURO 6,3 x 13 mm	x5	M0		x5
					



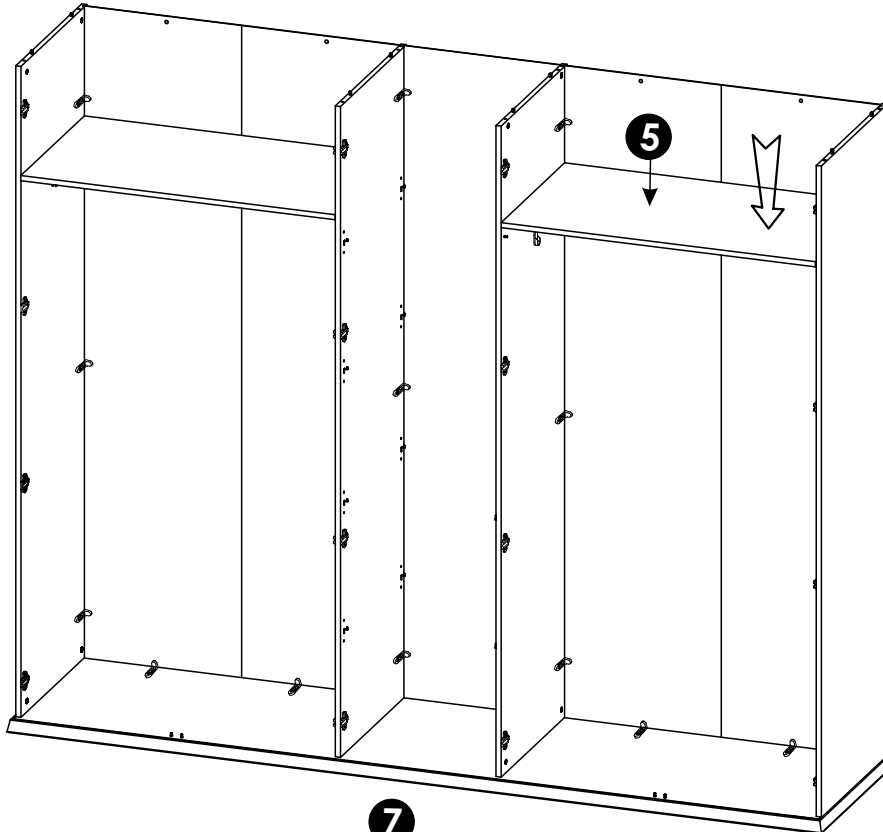
11 ▶

D30	EURO 6,3 x 13 mm	x3
		
M0		x3
		

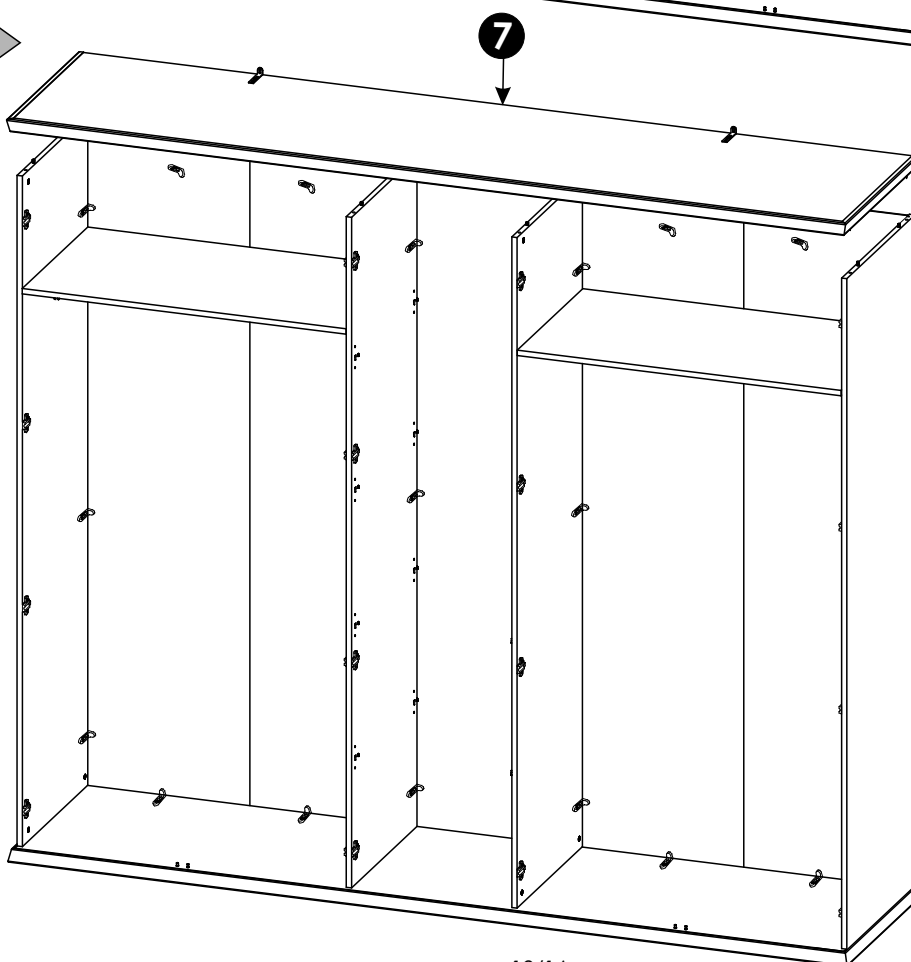




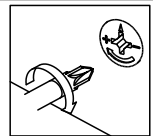
12▶



13▶

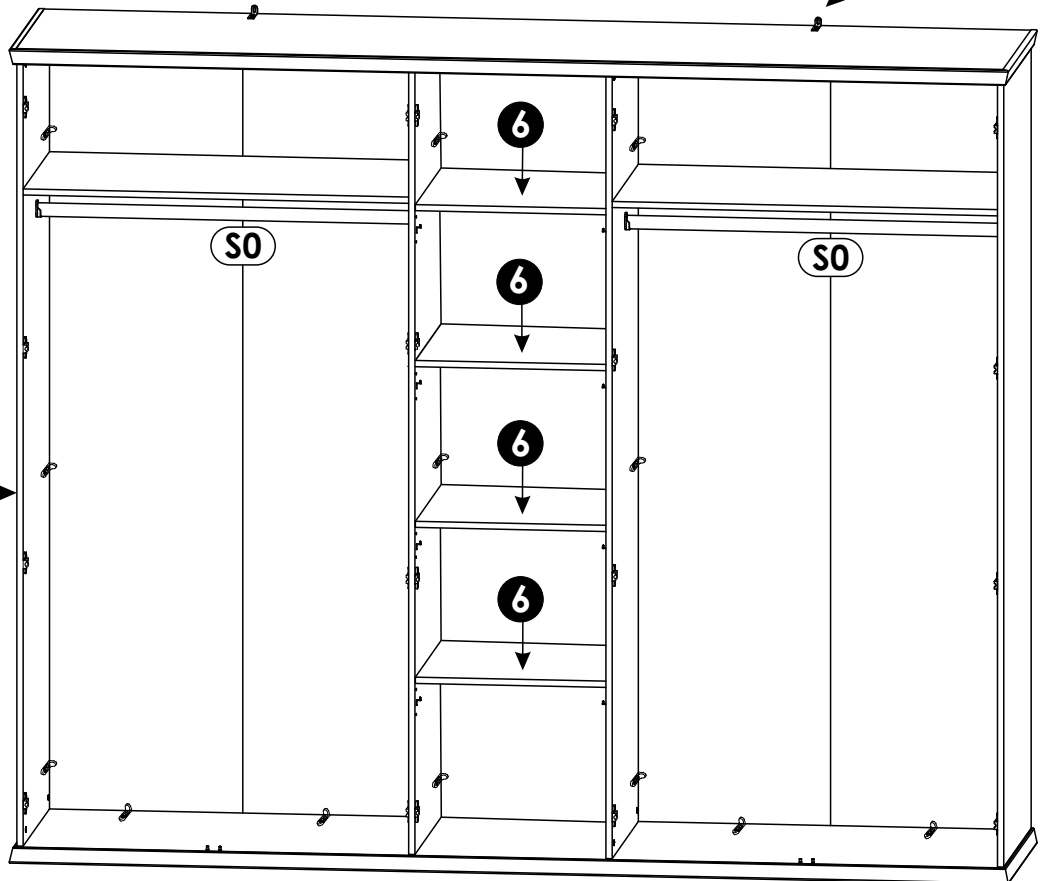
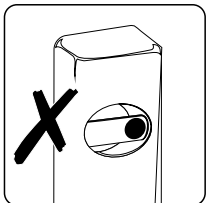
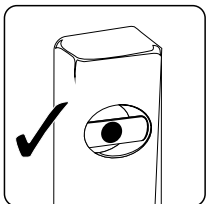
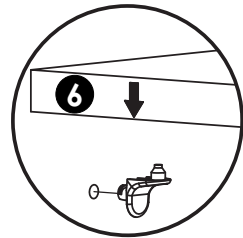
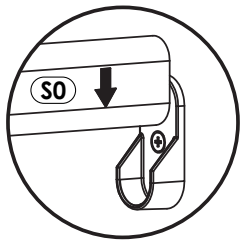
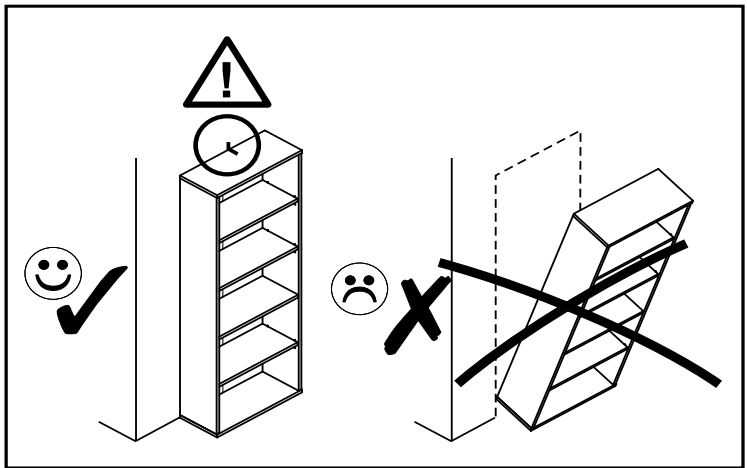
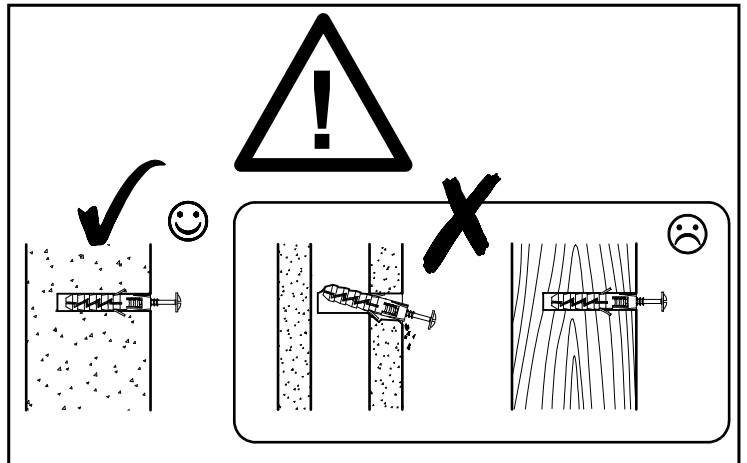


(D30)	EURO 6,3 x 13 mm	x4
(M0)		x4

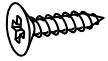
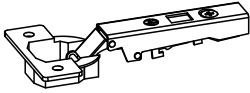


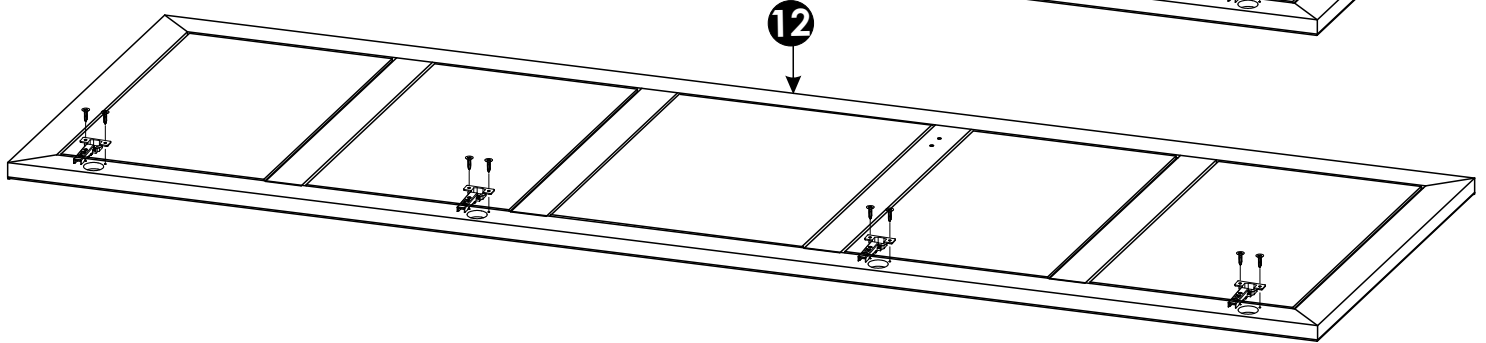
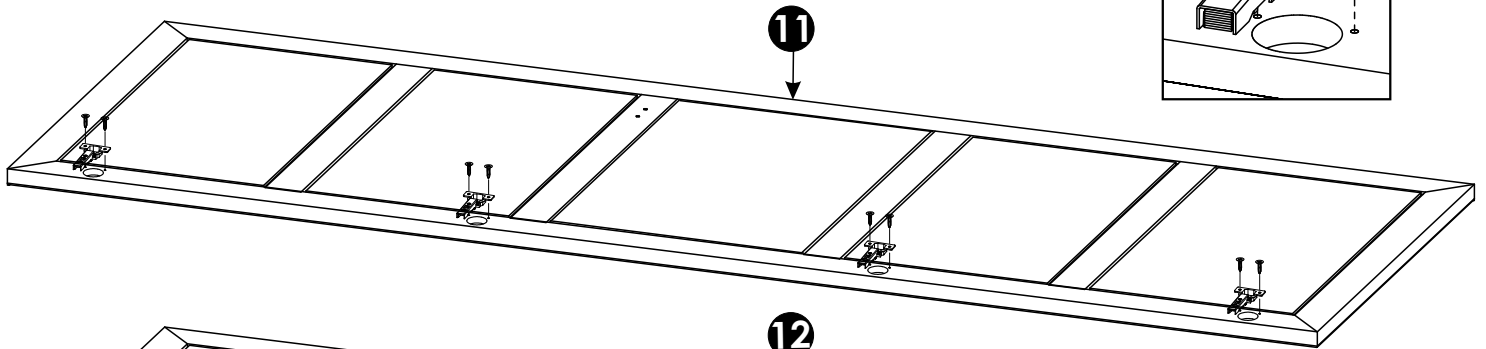
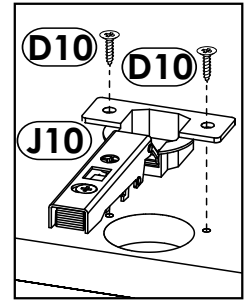
14

EO	5 x 50 mm 8 x 50 mm	x2
S0	L-972	x2
	$X=10\text{mm}$	
	$\varnothing 8$ $X=10$	

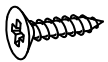
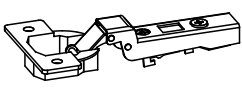


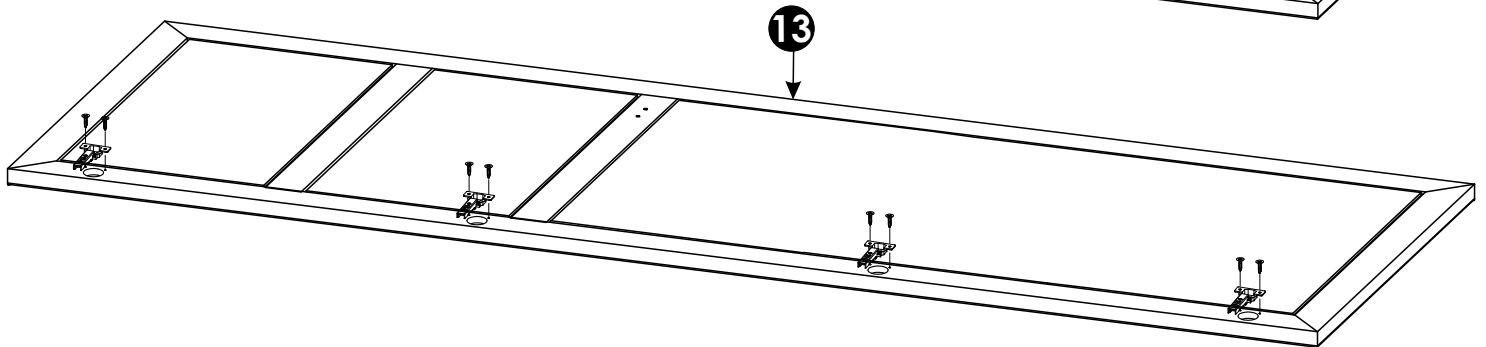
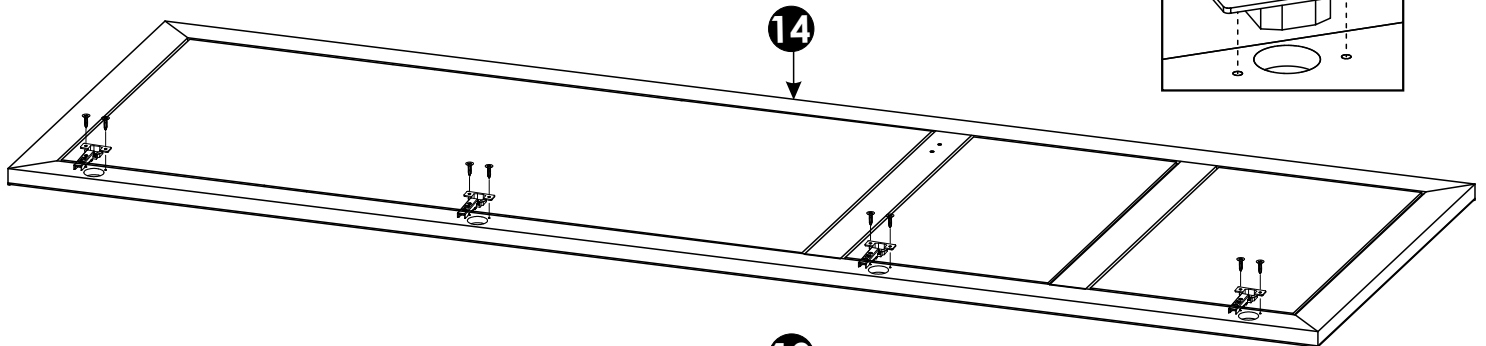
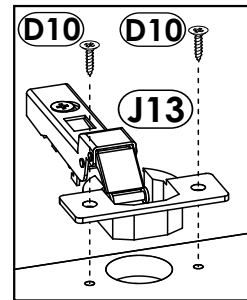
15 ▶

D10	4 x 16 mm	x16	J10	x8
				





16 ▶

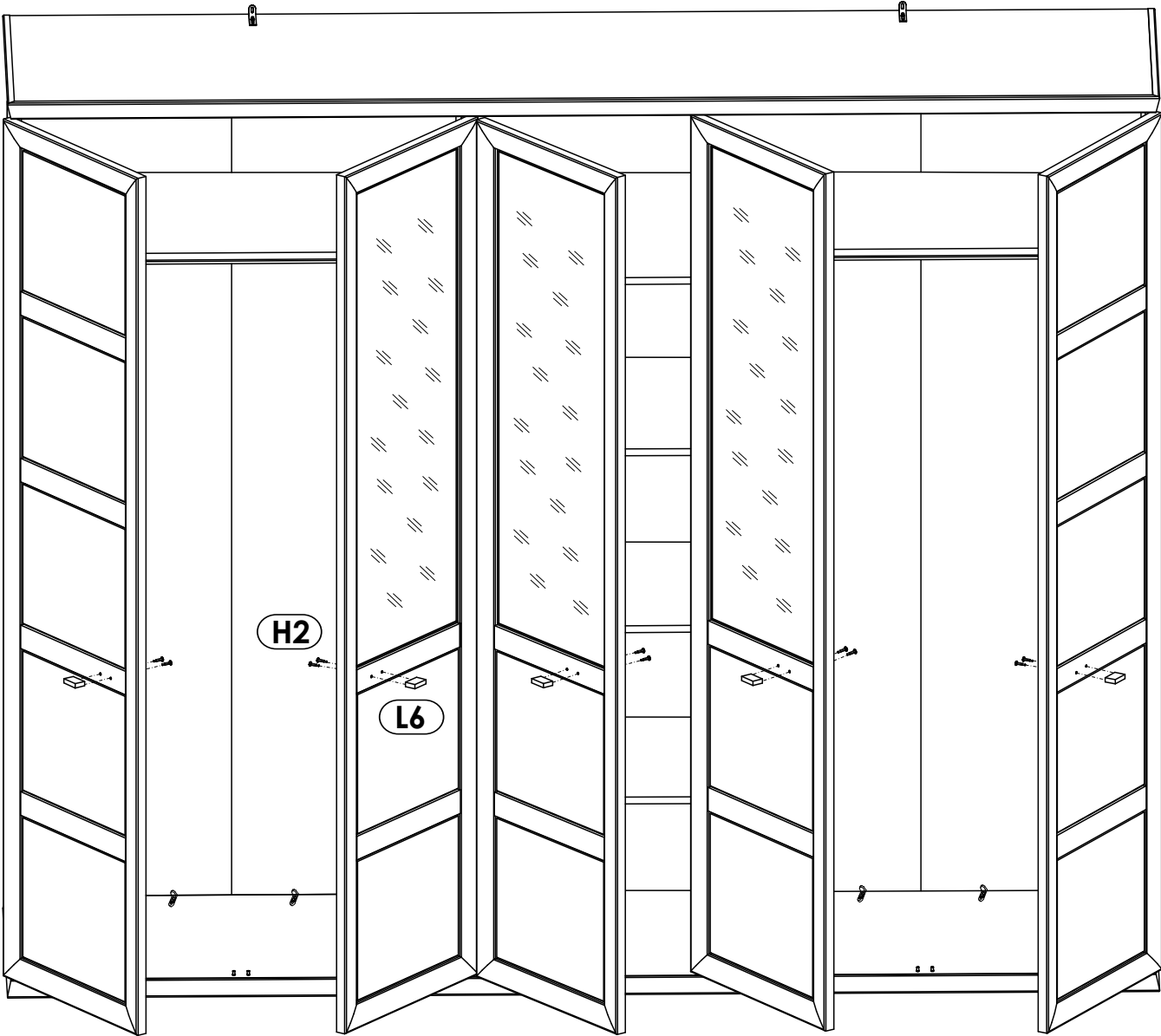
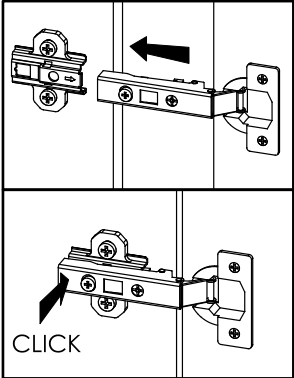
D10	4 x 16 mm	x24	J13	x12
				



x2

17▶

<p>H2</p>  <p>x10</p>	<p>L6</p>  <p>x5</p>
--	---



18 ▶

