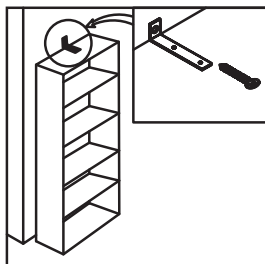
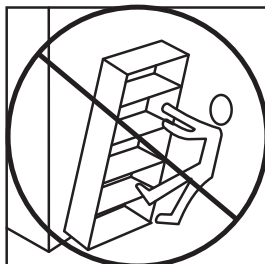
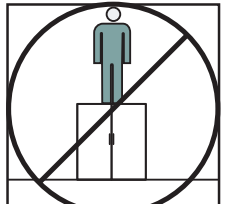
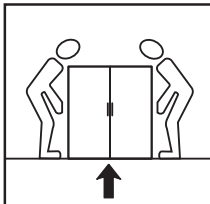
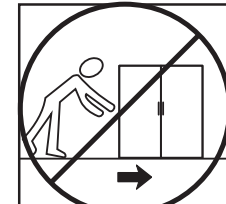
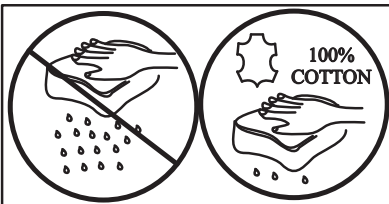
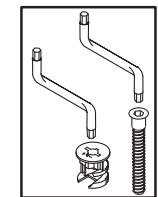
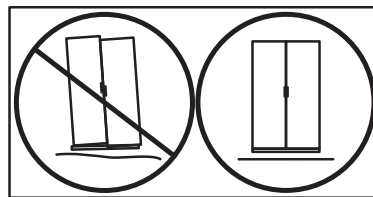
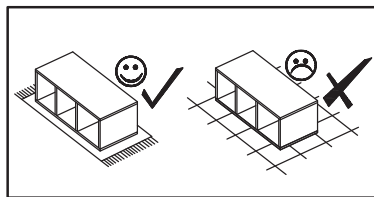
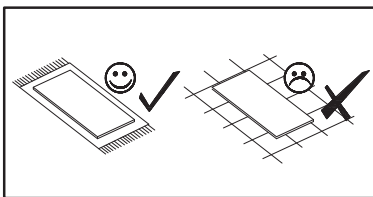
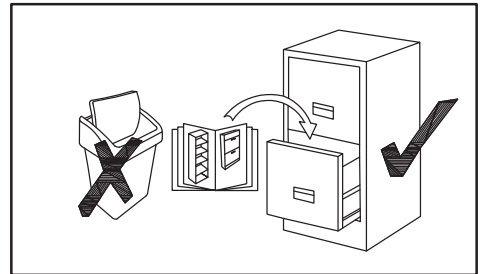
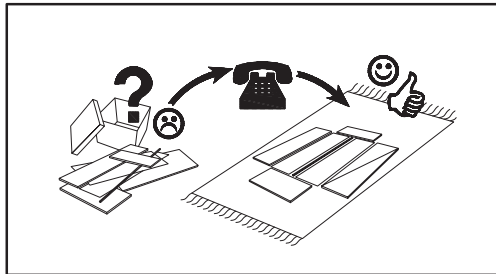
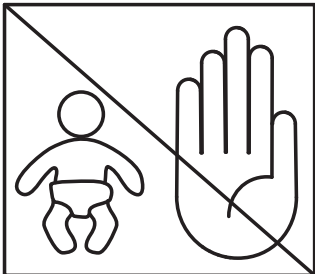
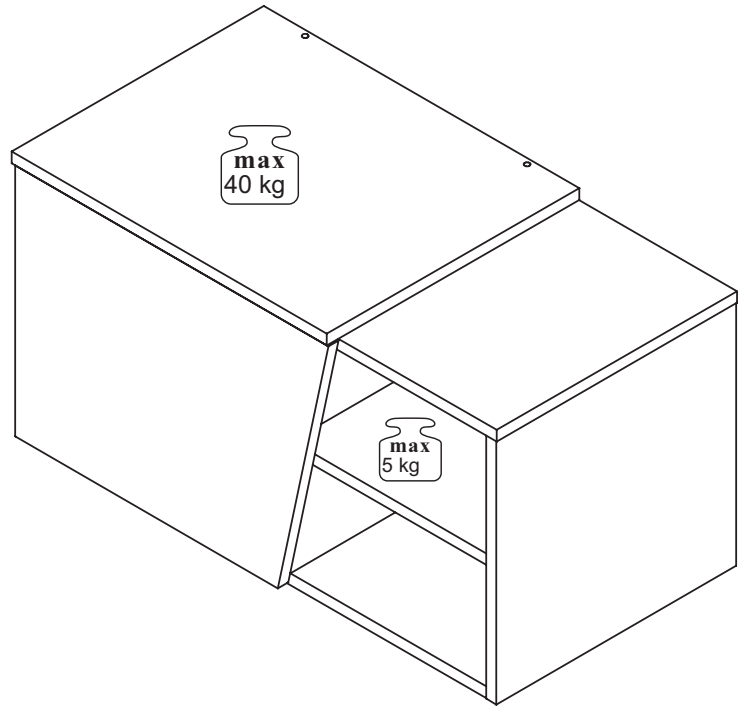
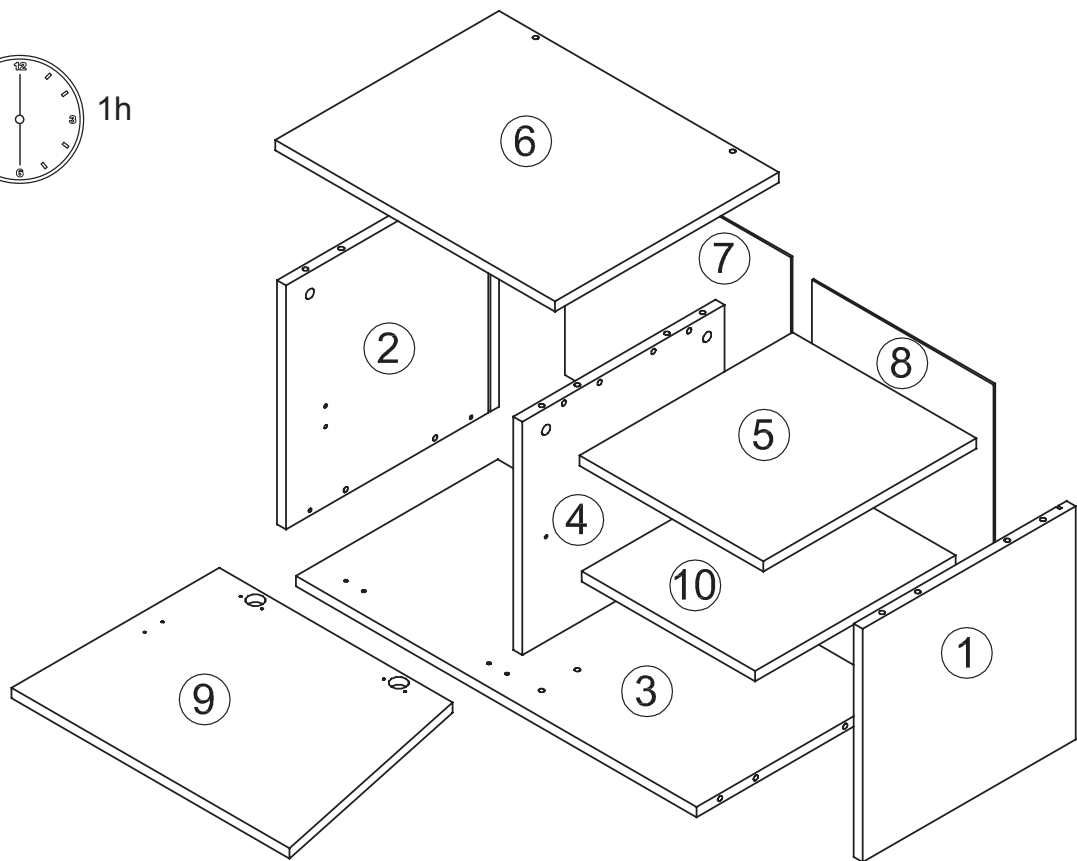
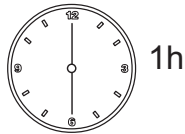
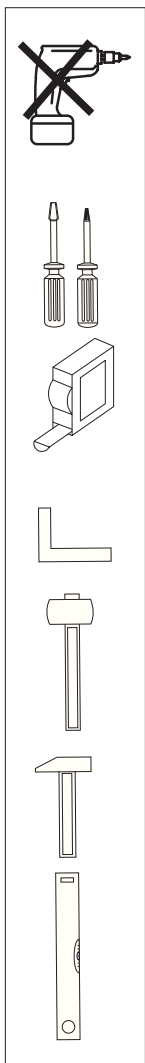
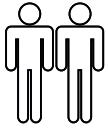


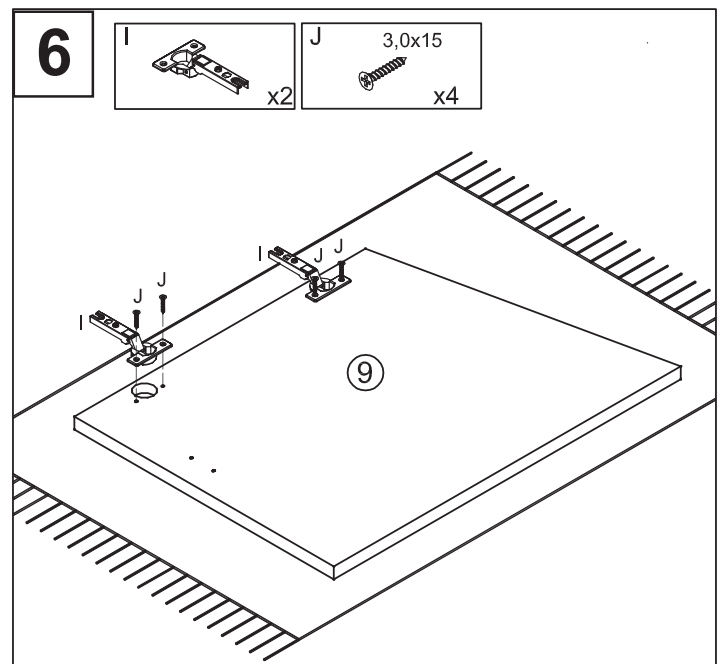
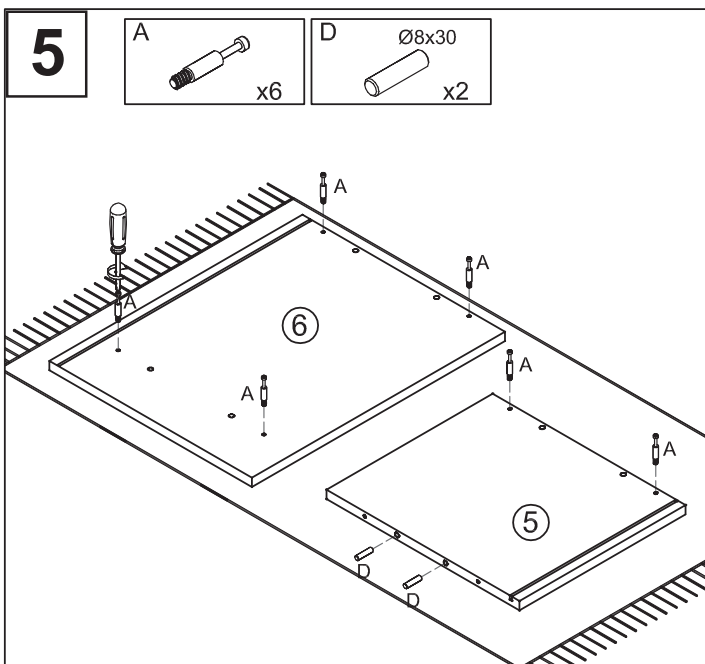
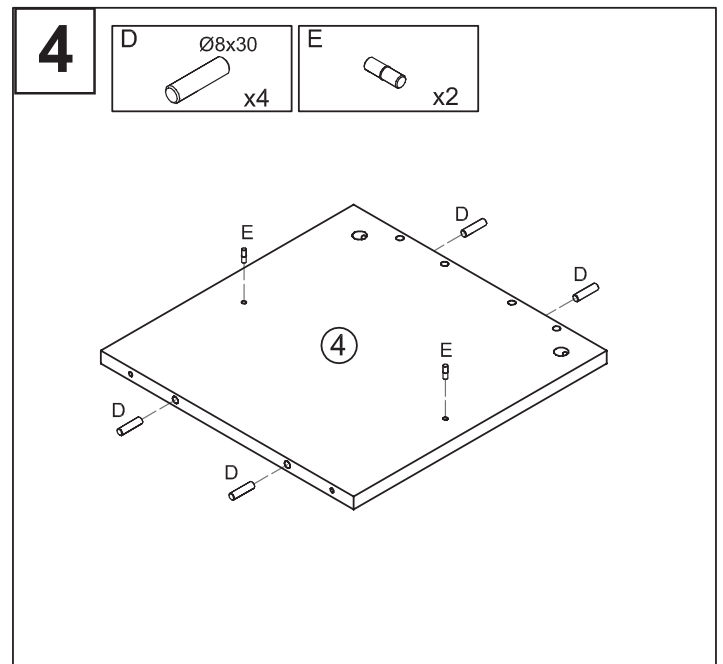
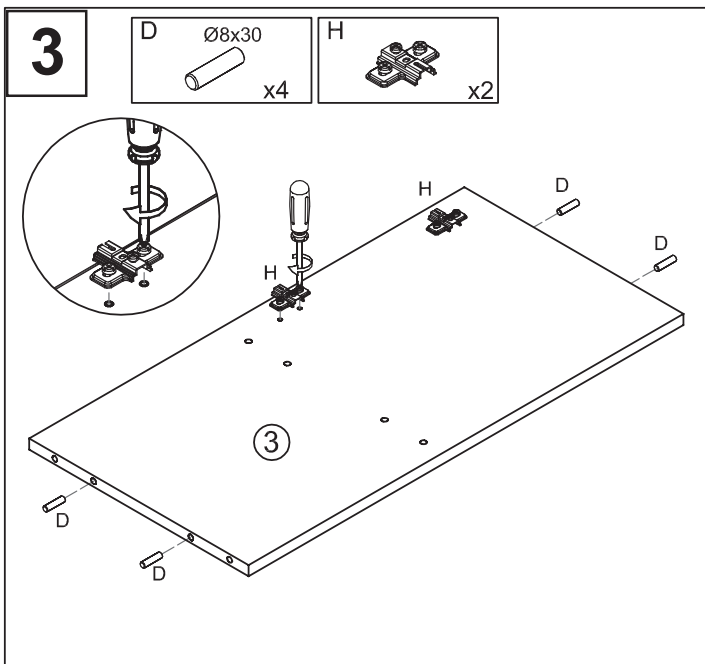
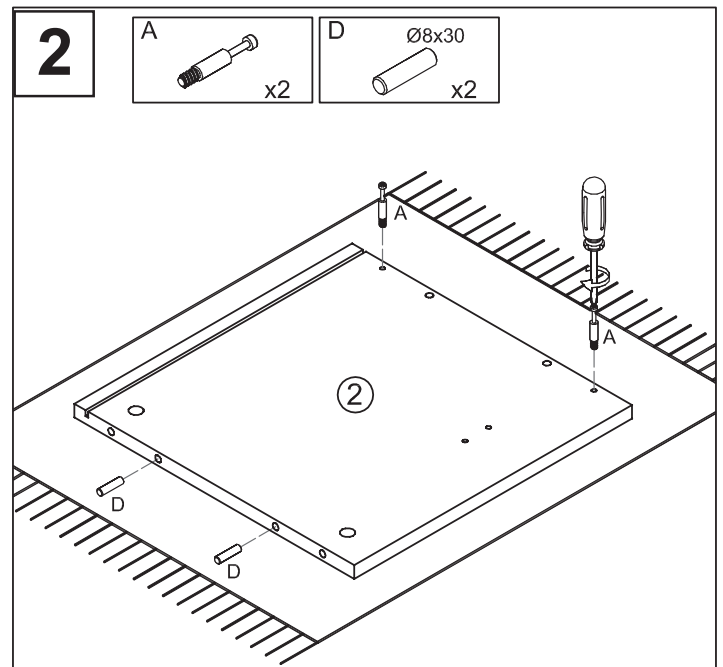
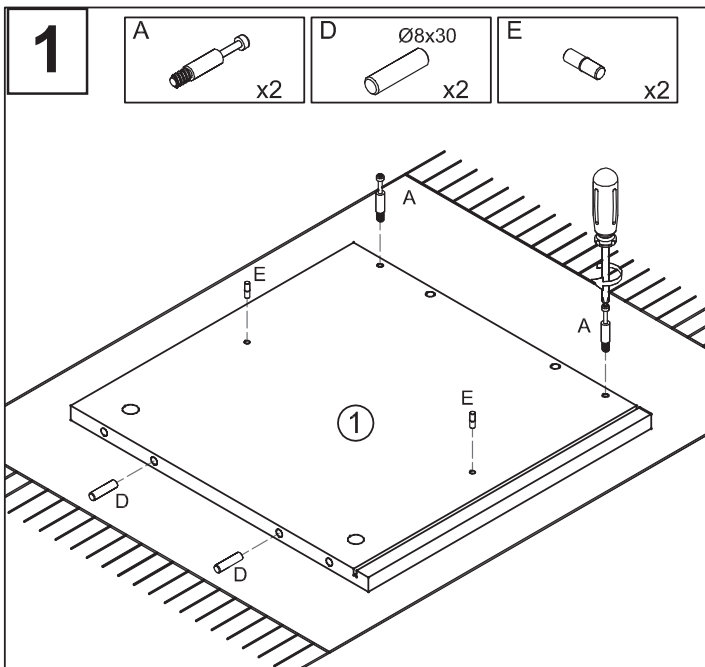
Bank

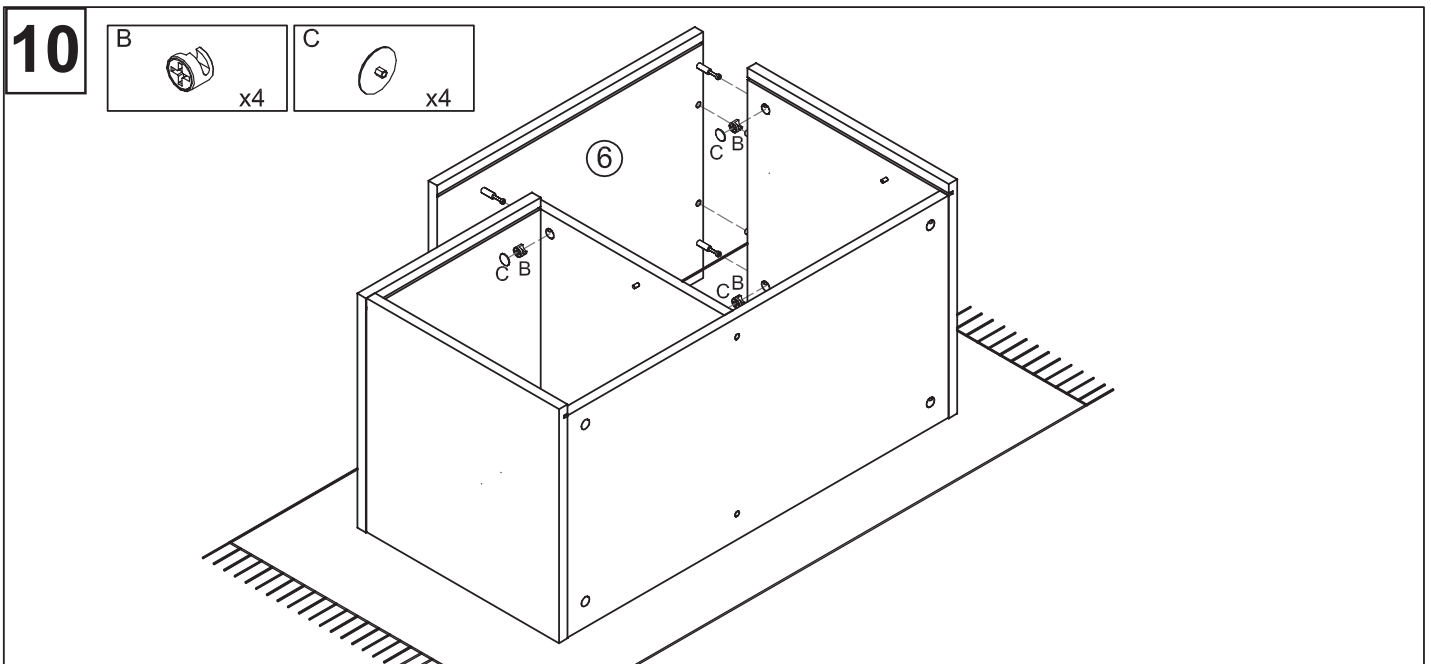
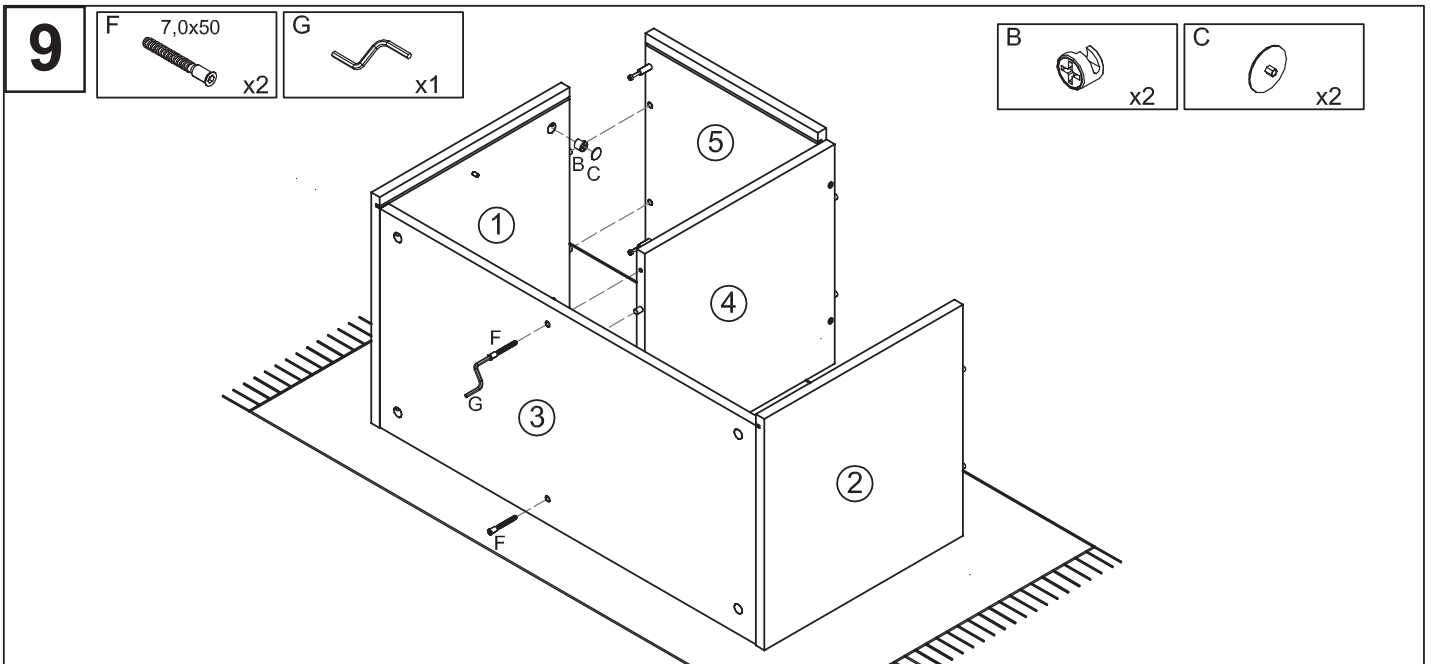
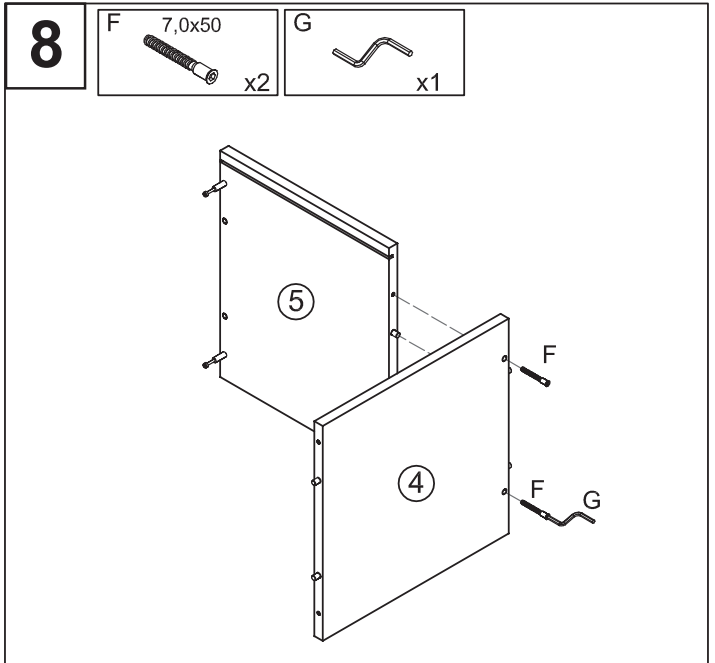
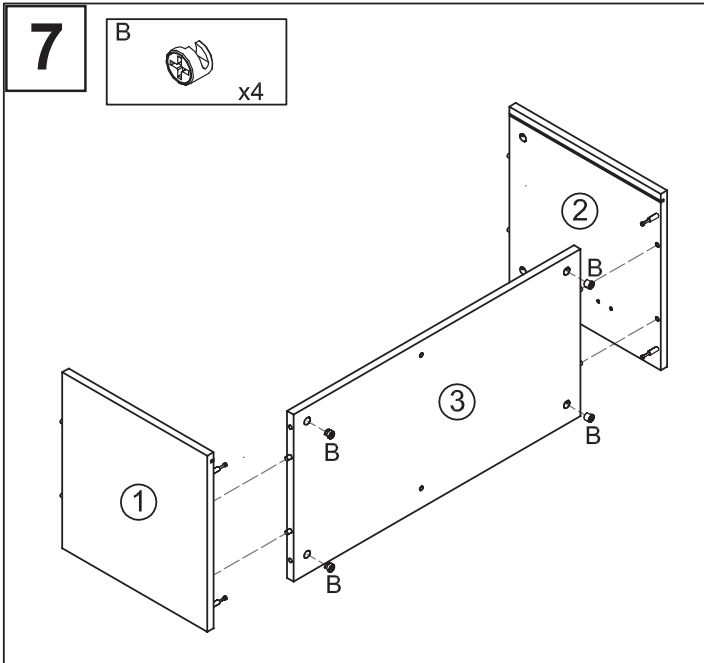


Nr	St.	Ausmaß	Colli
1	1	361 x 380 x 16	1/1
2	1	378 x 380 x 16	1/1
3	1	716 x 361 x 16	1/1
4	1	361 x 361 x 16	1/1
5	1	328 x 381 x 16	1/1
6	1	500 x 400 x 16	1/1
7	1	384 x 403 x 3	1/1
8	1	367 x 325 x 3	1/1
9	1	372 x 497 x 16	1/1
10	1	309 x 375 x 16	1/1

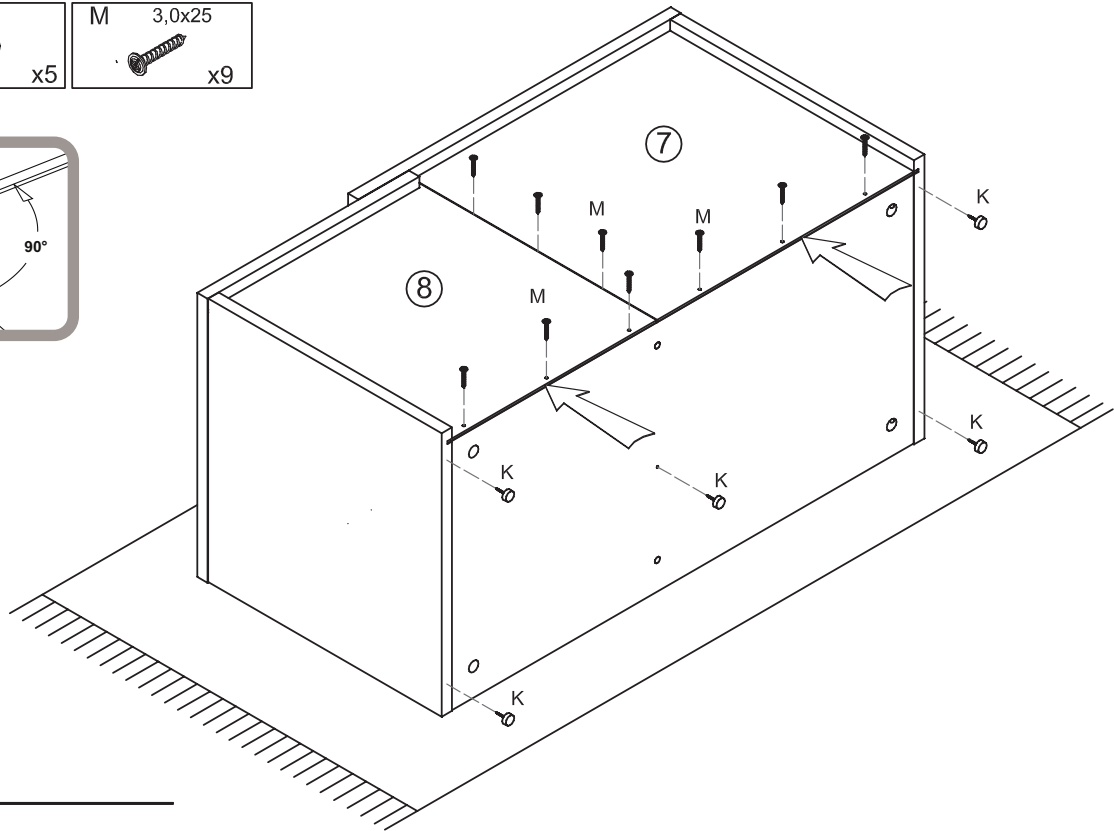
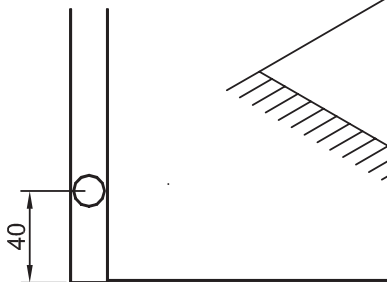
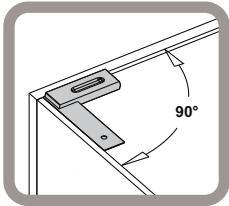
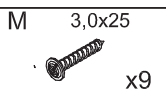
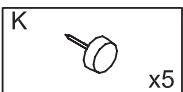


A	x10	B	x10	C	x6	D	Ø8x30 x14	E	x4	F	7,0x50 x4	G	x1
H	x2	I	x2	J	3,0x15 x7	K	x5	L	6,0x13 x2	M	3,0x25 x9	N	x1

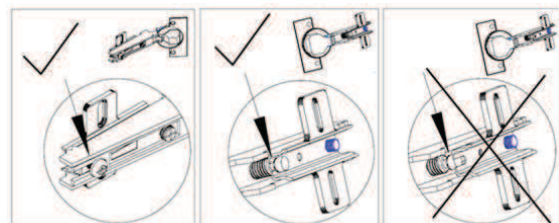
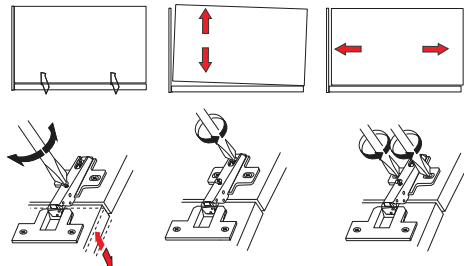
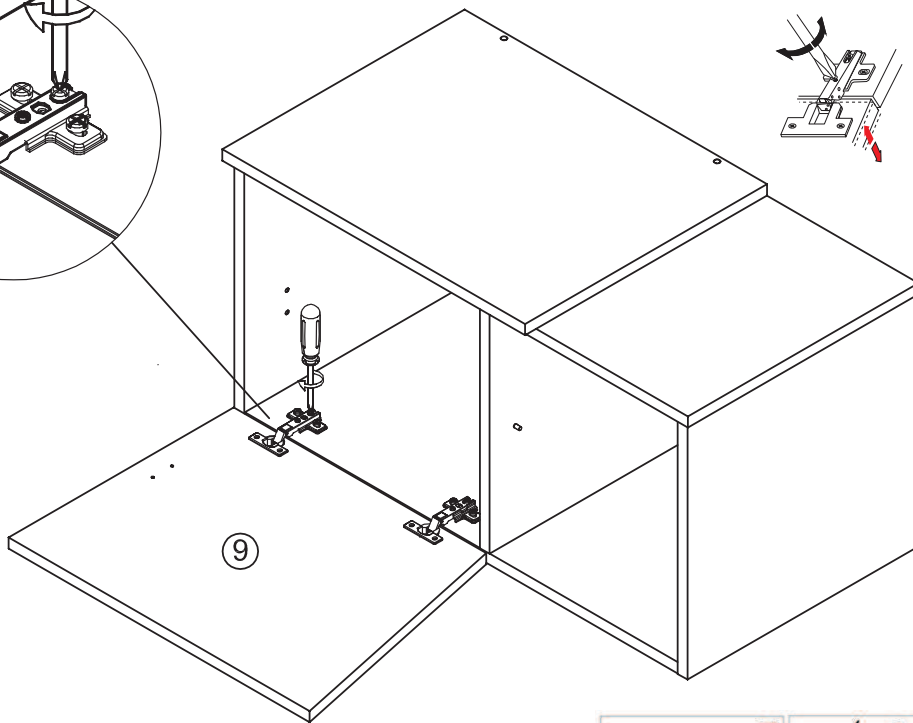
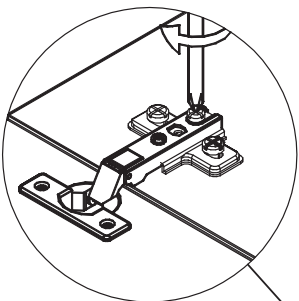




11



12



12

