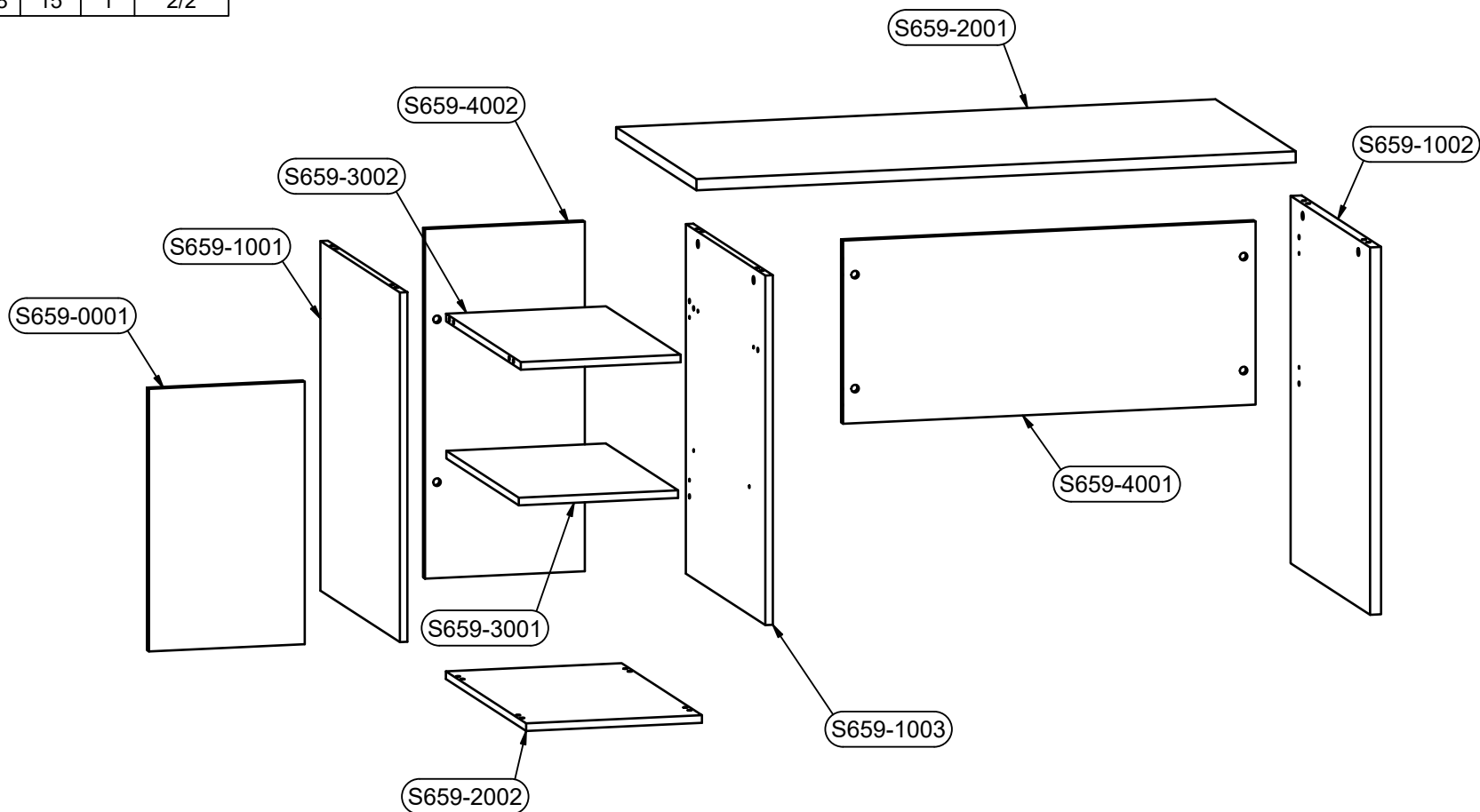
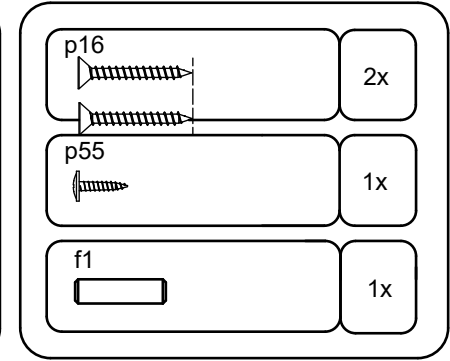
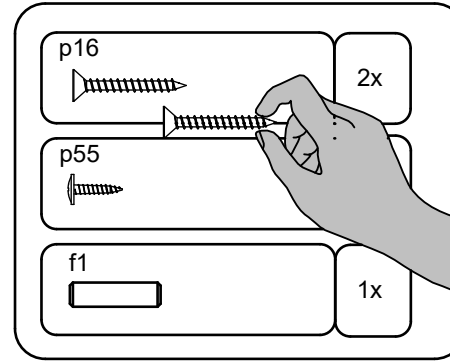


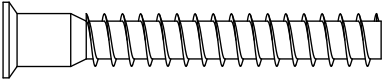

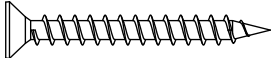

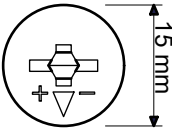
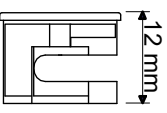
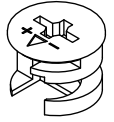
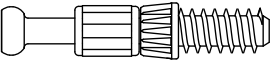
B1	B2	C1	C2	C3	C4	D
S659-0001	-	516	312	15	1	2/2
S659-1001	-	687	594	15	1	1/2
S659-1002	-	722	594	22	1	1/2
S659-1003	-	687	594	15	1	1/2
S659-2002	-	352	600	15	1	2/2
S659-4001	-	826	360	15	1	2/2
S659-4002	-	687	320	15	1	1/2
S659-3001	-	319	541	15	1	2/2
S659-2001	-	1200	600	22	1	2/2
S659-3002	-	320	558	15	1	2/2





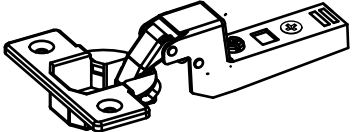
1:1



<p>e1</p>  <p>50mm</p>	<p>4x</p>	<p>f1</p>  <p>30mm</p>	<p>22x</p>	<p>p6</p>  <p>Ø4x35 mm</p>	<p>8x</p>
<p>p51</p>  <p>3.5x15mm</p>	<p>6x</p>	<p>r1</p>  <p>15 mm</p>  <p>12 mm</p>  <p>15x12mm</p>	<p>18x</p>	<p>r42</p> 	<p>18x</p>

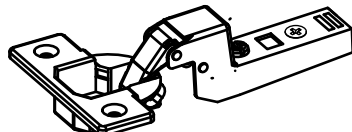
~~1:1~~

a203



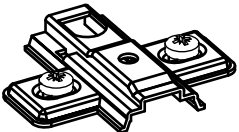
1x

a210



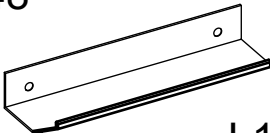
1x

b90



2x

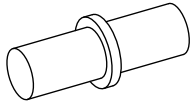
c648



L149/128mm

1x

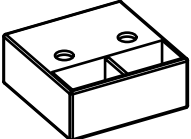
d1



fi5mm

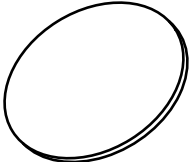
4x

k55



4x

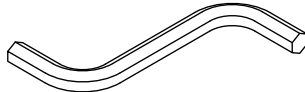
s68



Ø20mm

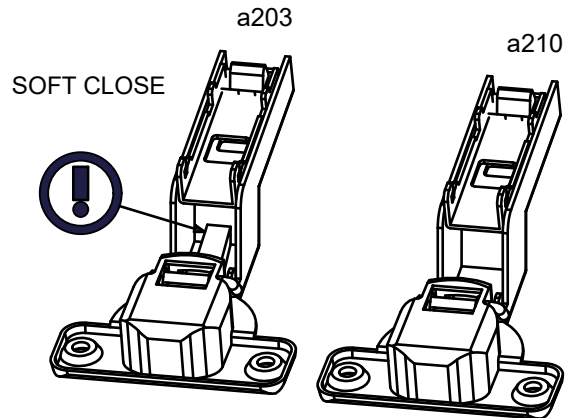
14x

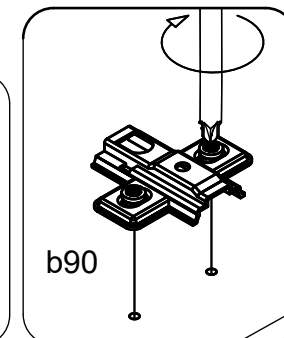
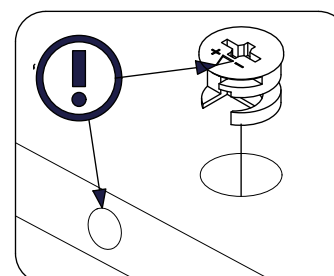
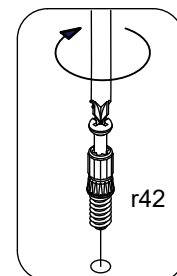
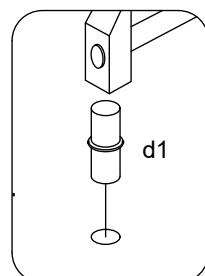
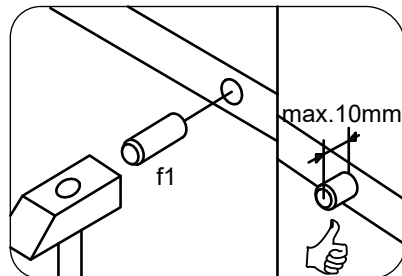
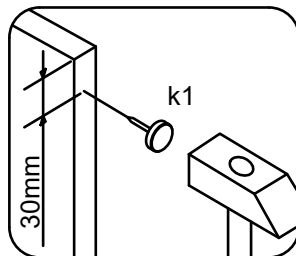
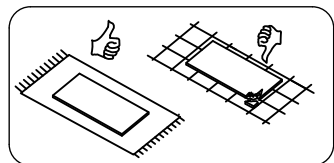
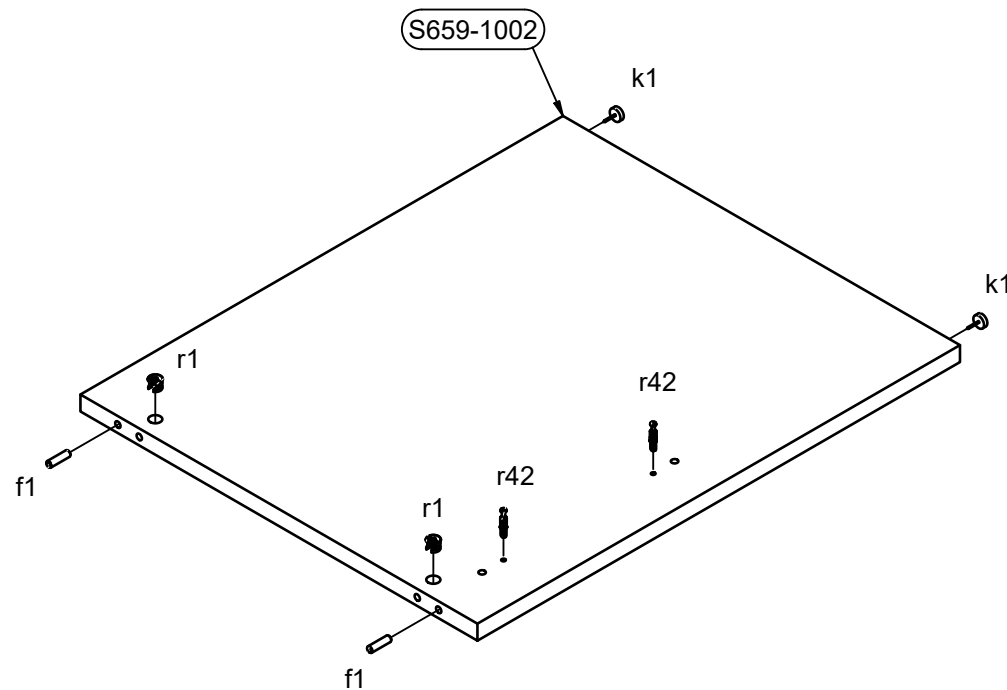
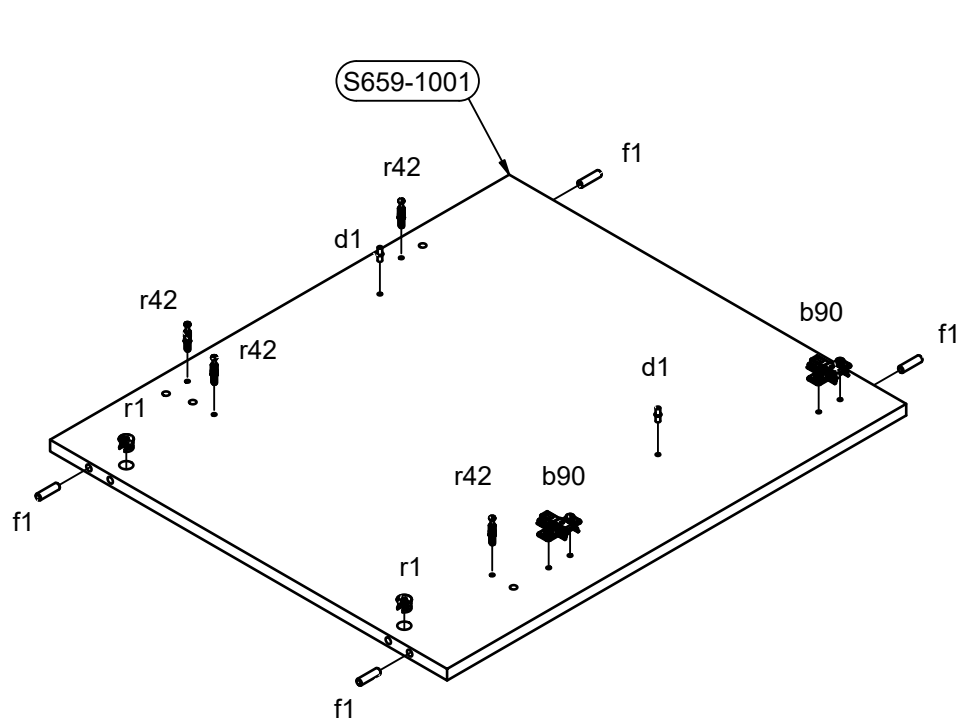
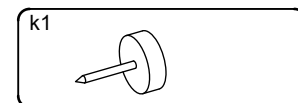
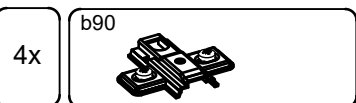
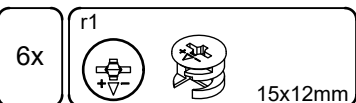
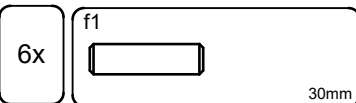
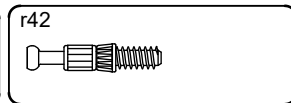
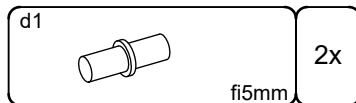
z1



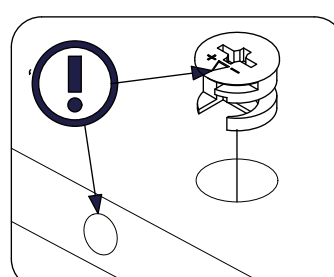
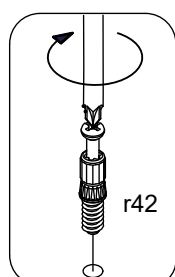
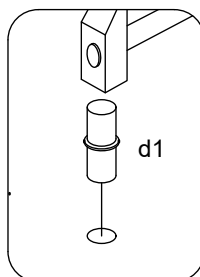
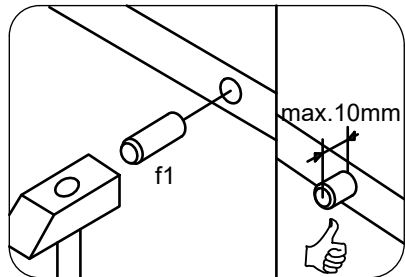
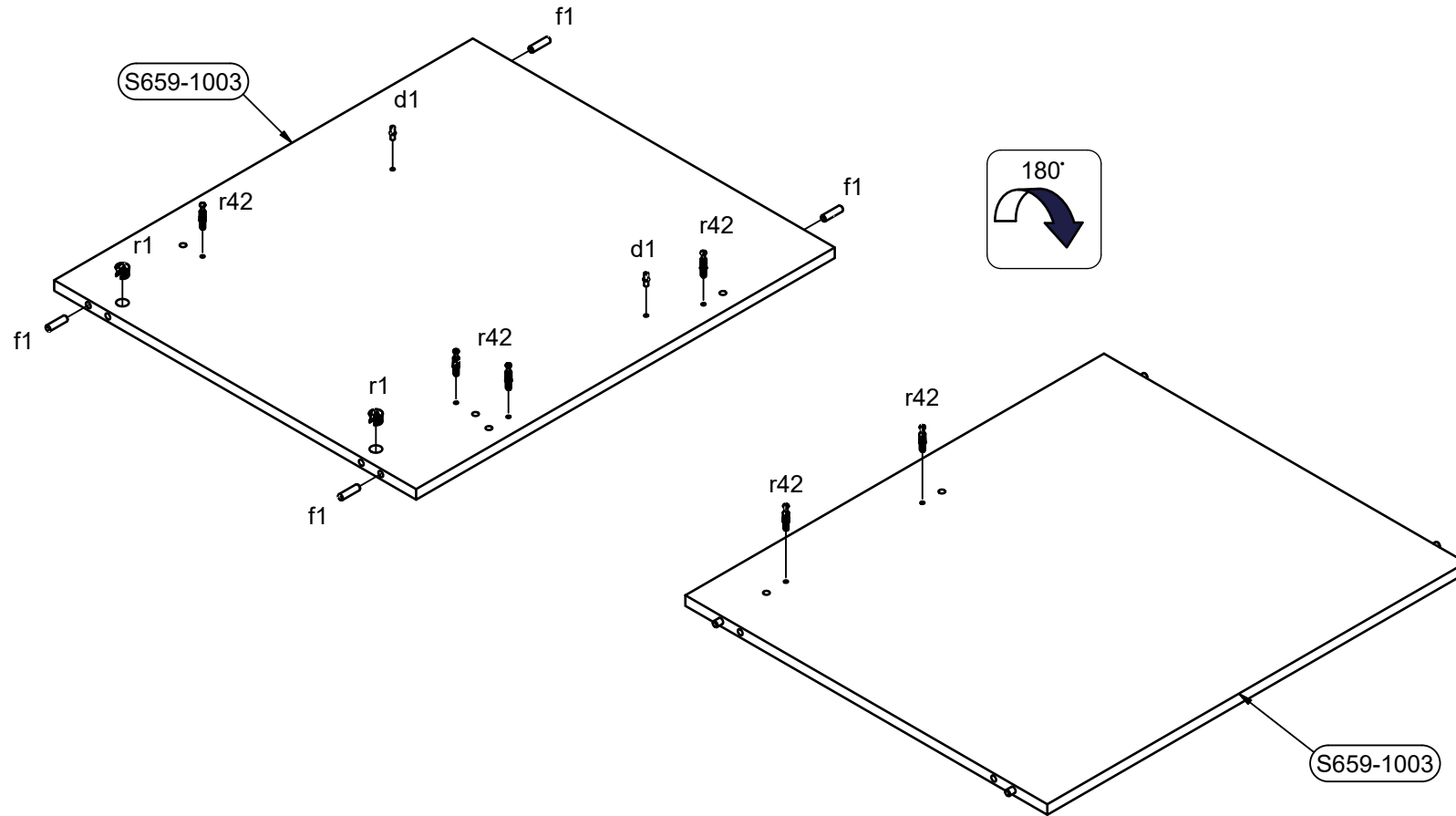
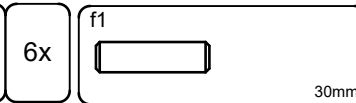
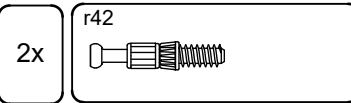
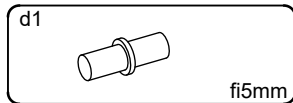
4mm

1x

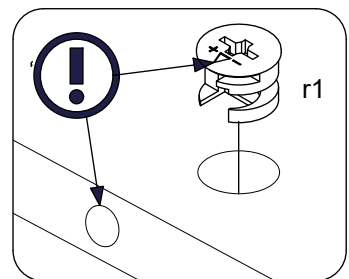
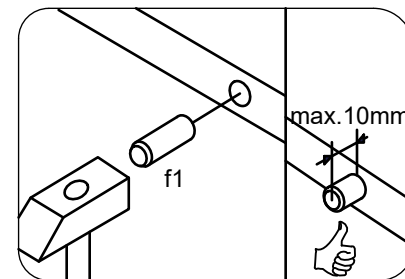
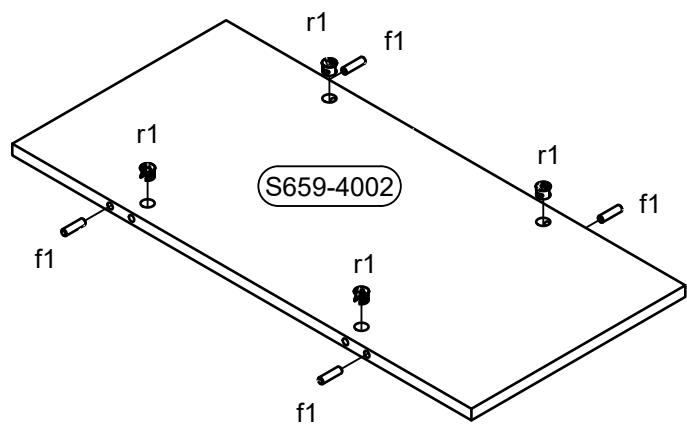
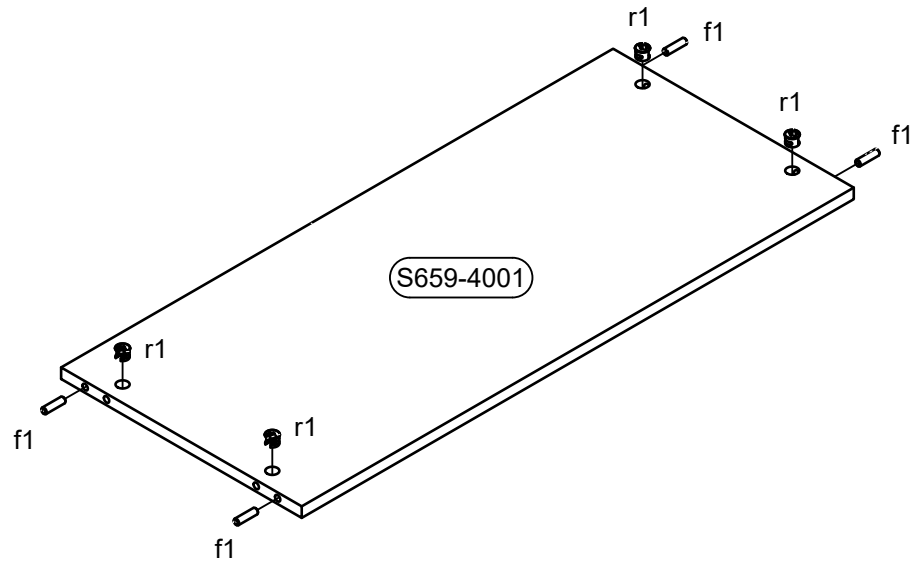
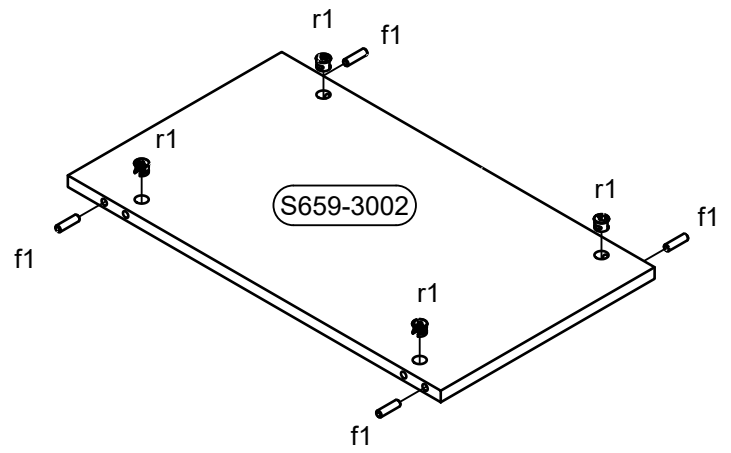
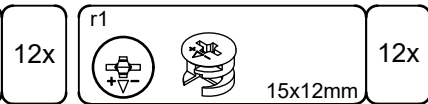
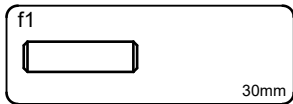




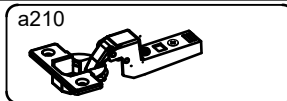
2



3



4



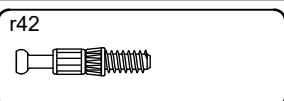
1x



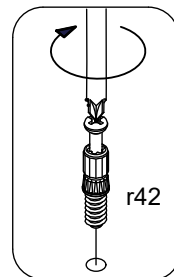
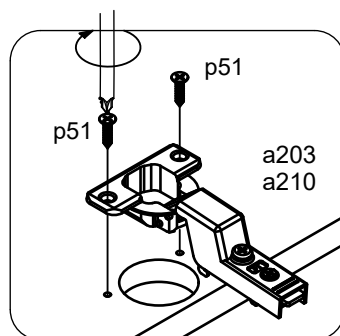
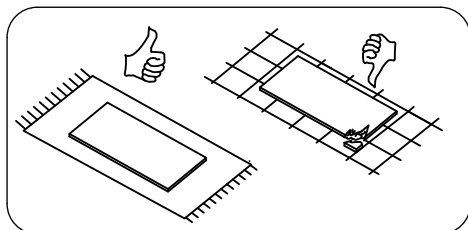
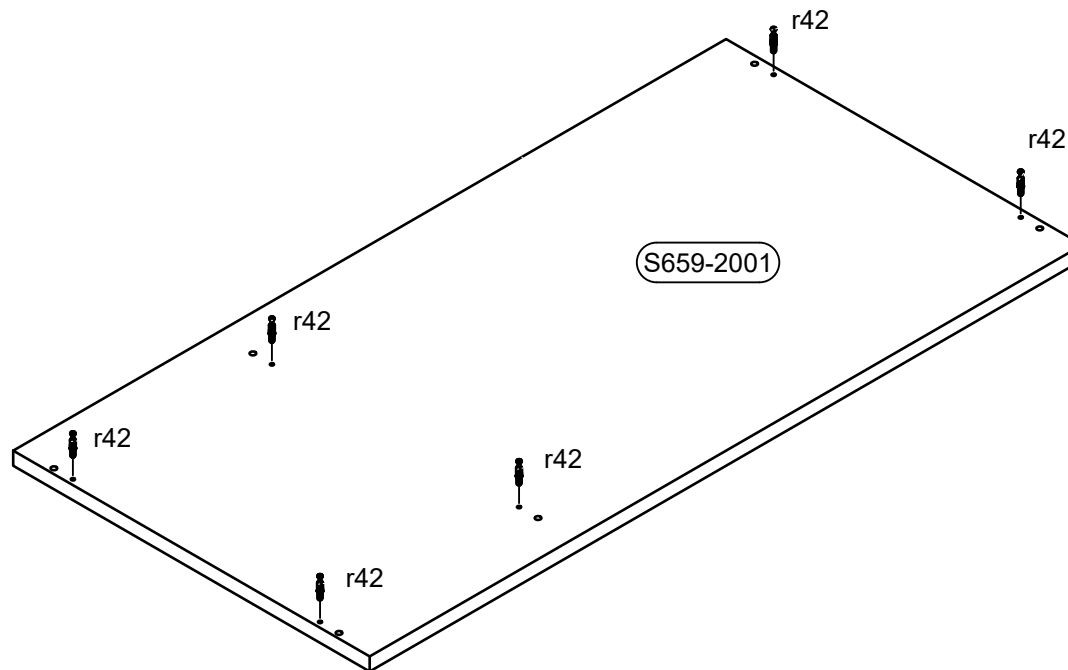
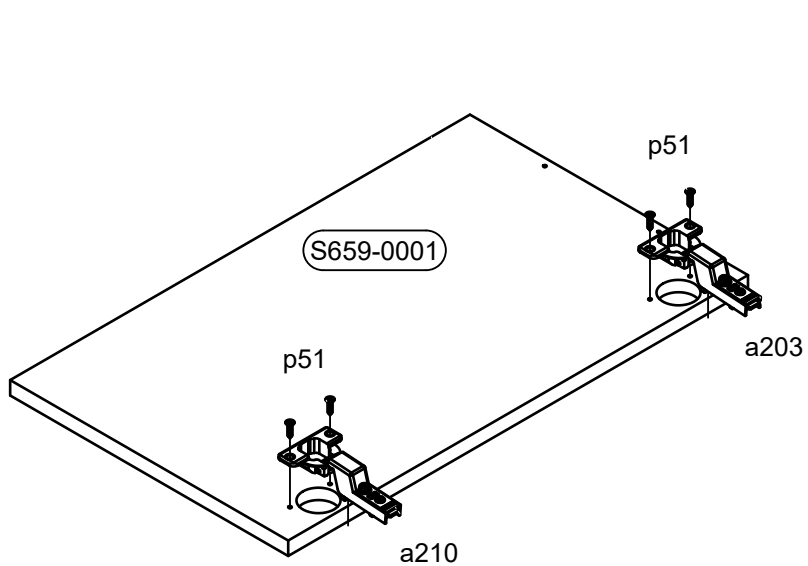
1x



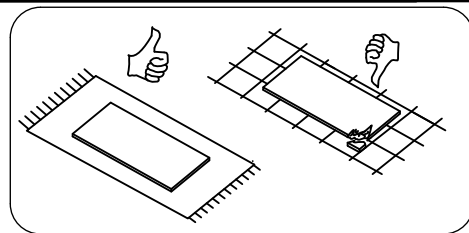
4x



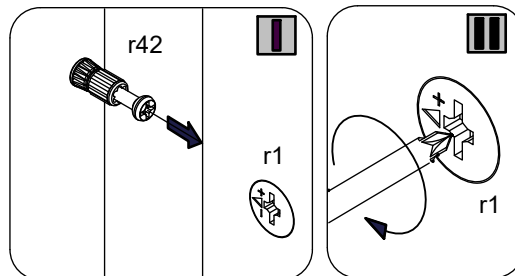
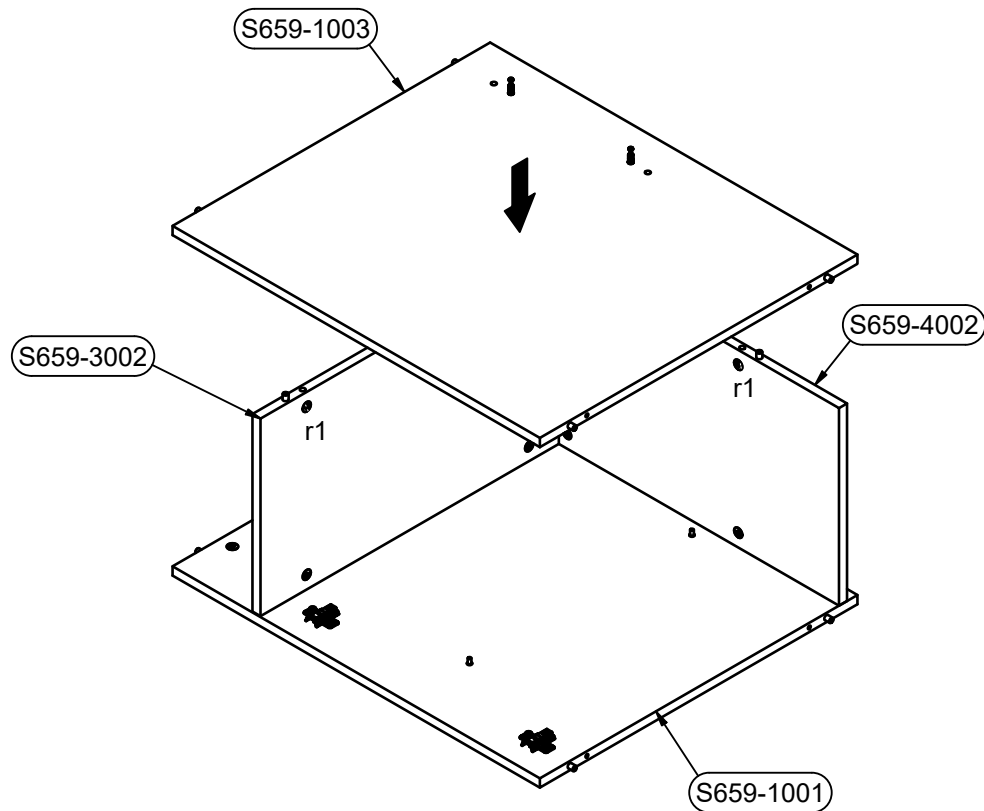
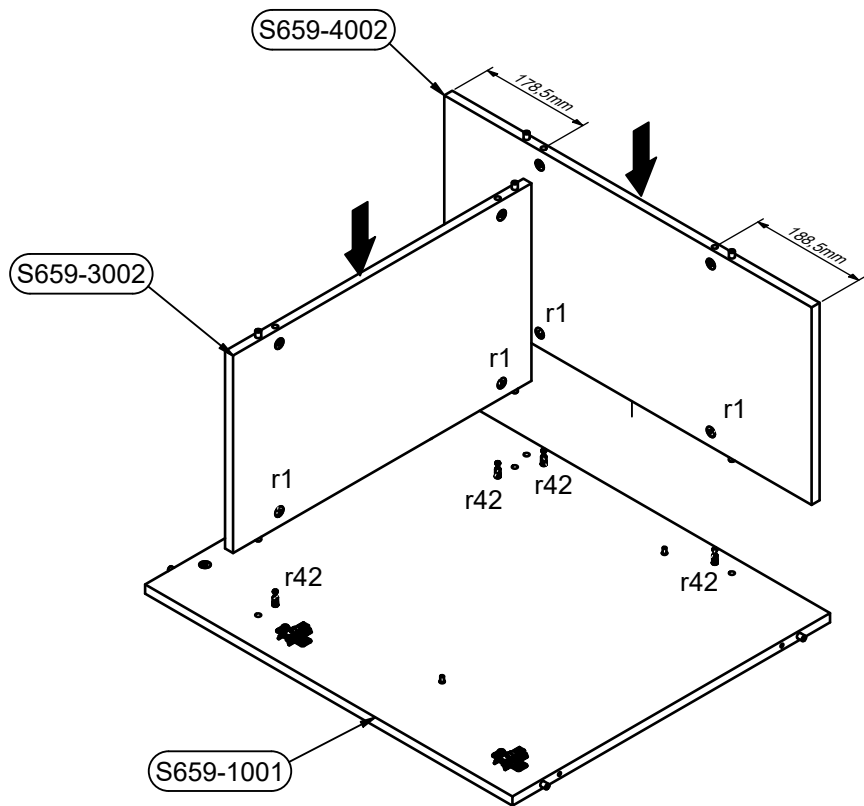
6x



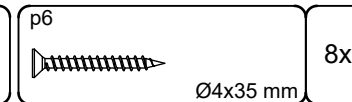
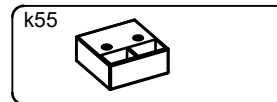
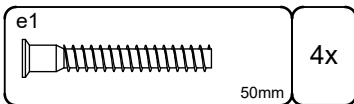
5



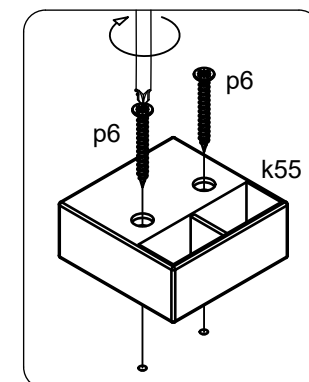
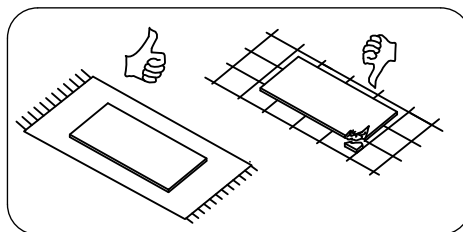
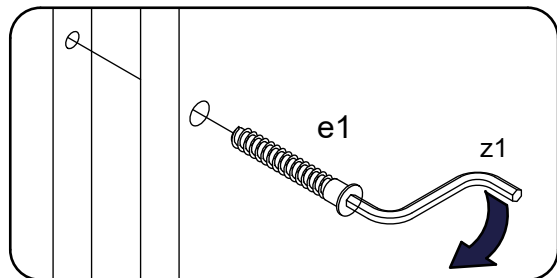
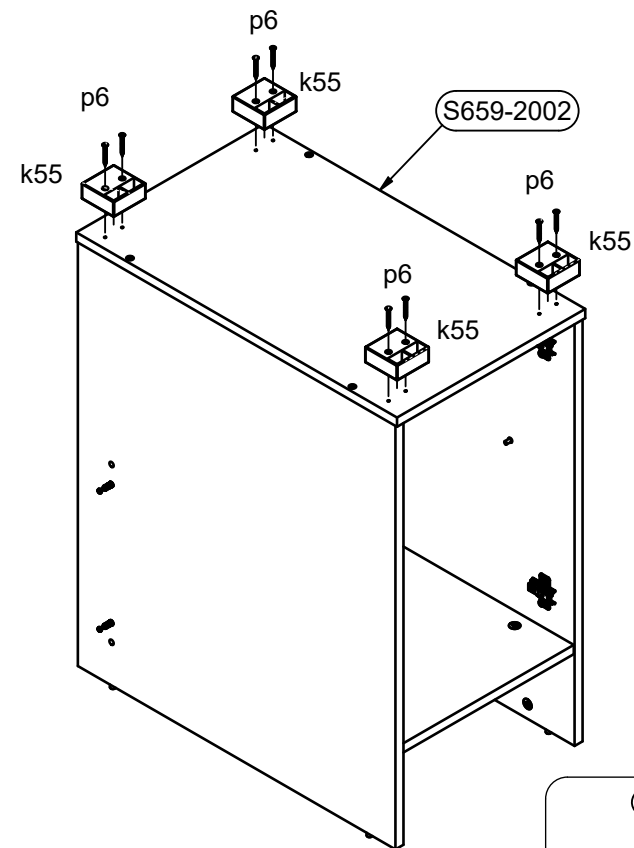
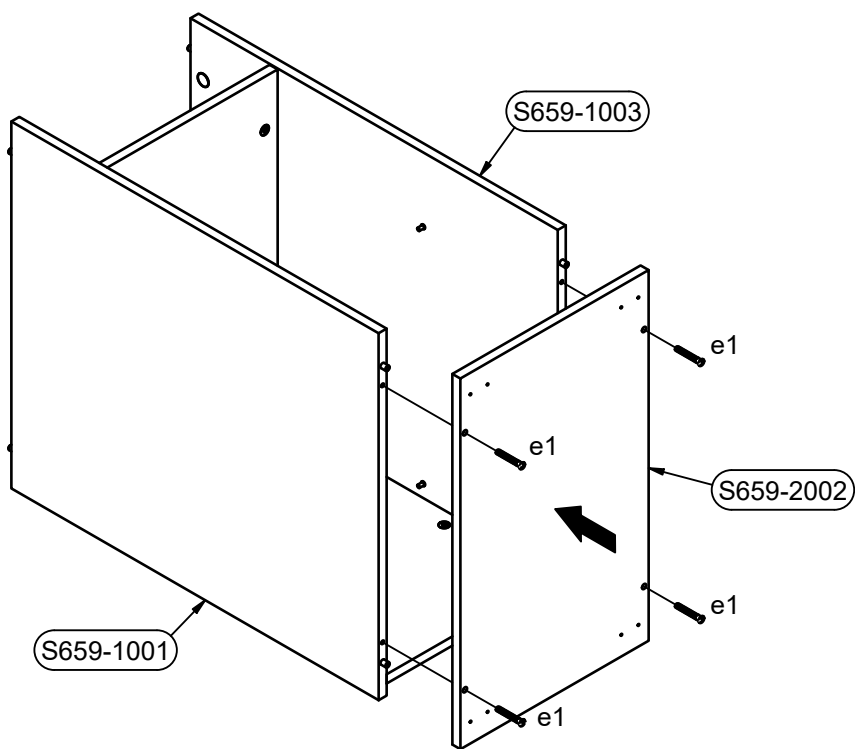
6



7

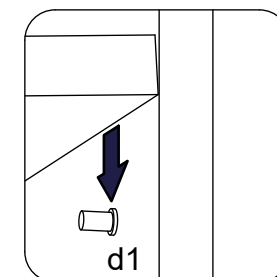
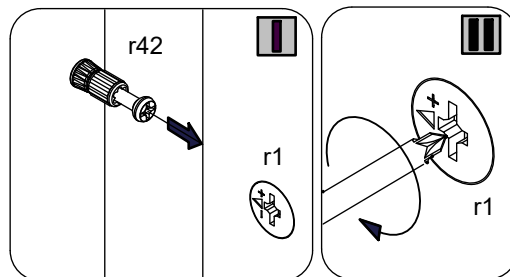
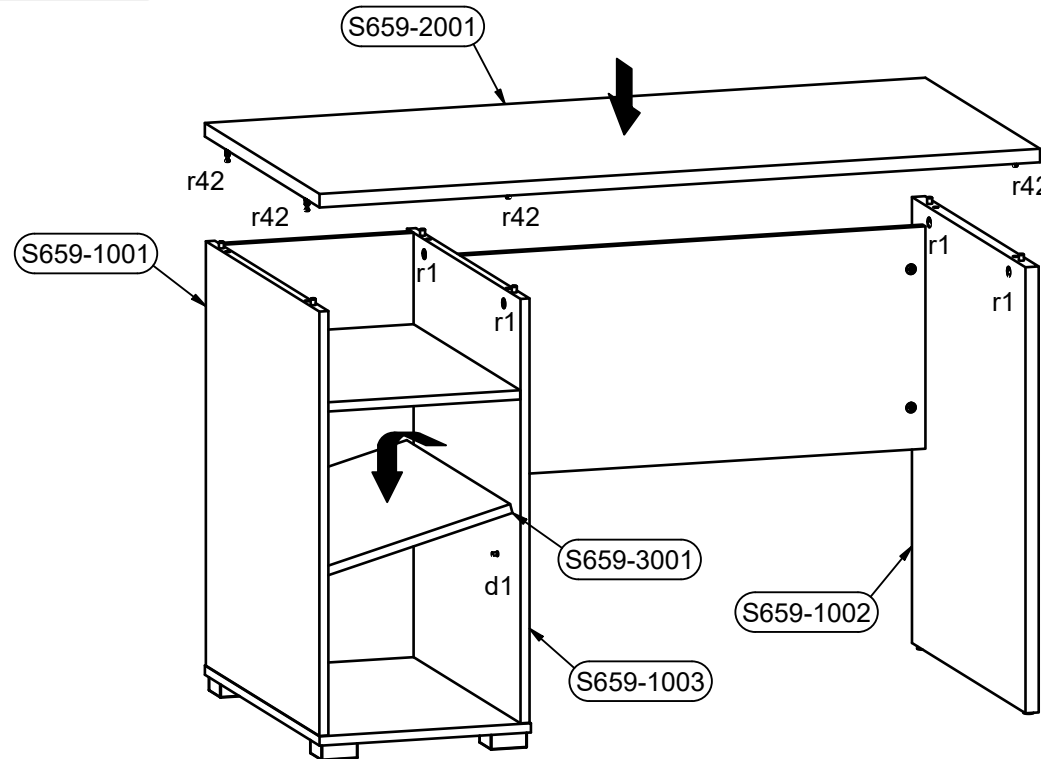
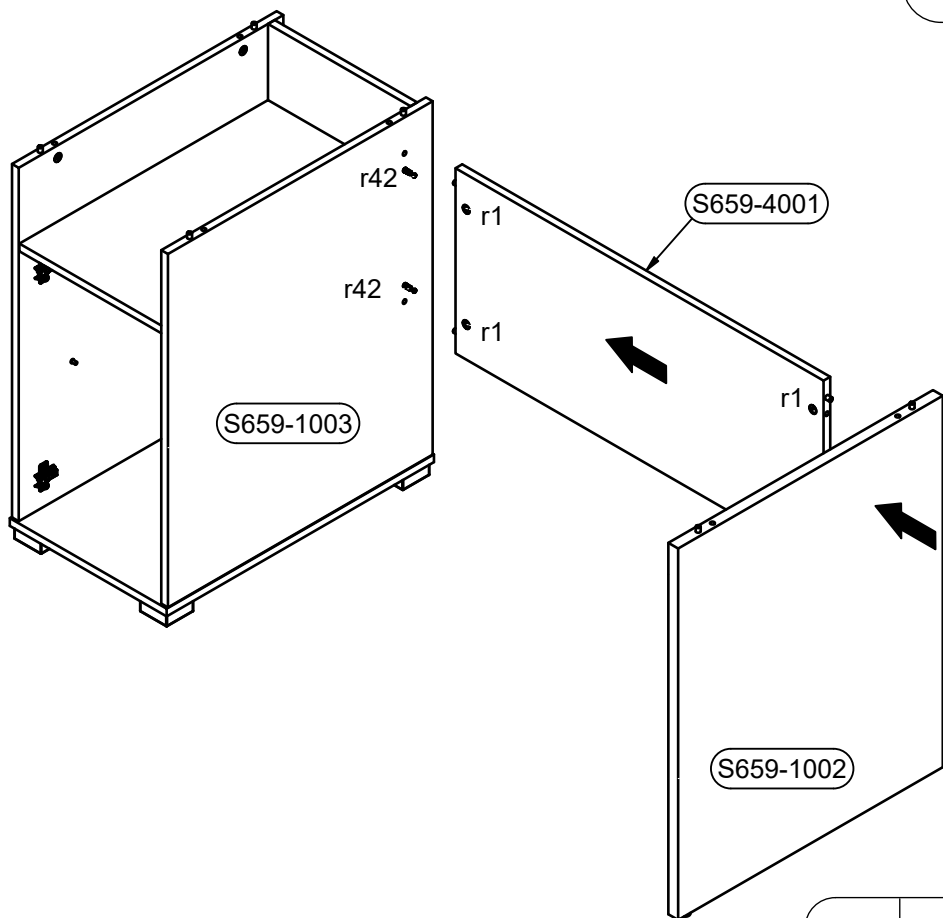
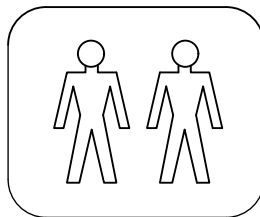





8



9

10



<p>p51 3.5x15mm 2x</p> 	<p>c648 L149/128mm 1x</p> 	<p>s68 Ø20mm 14x</p> 	
--	---	--	--

