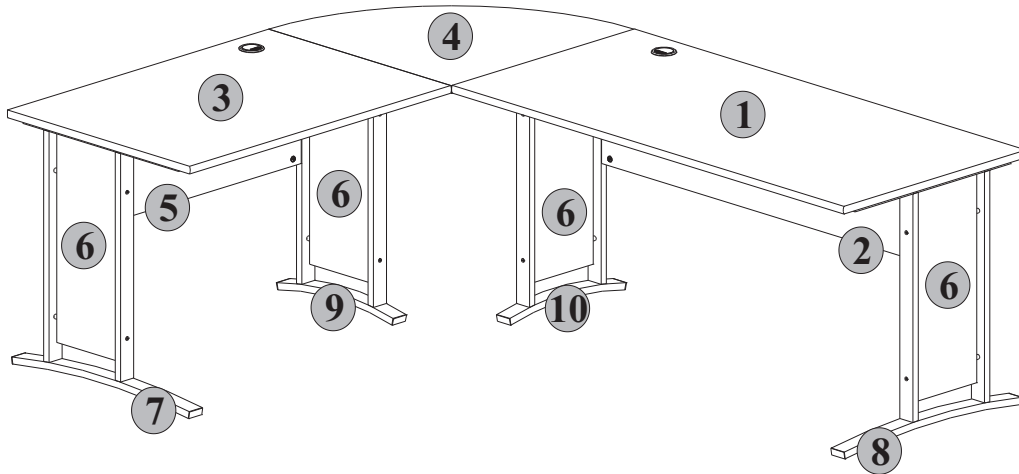
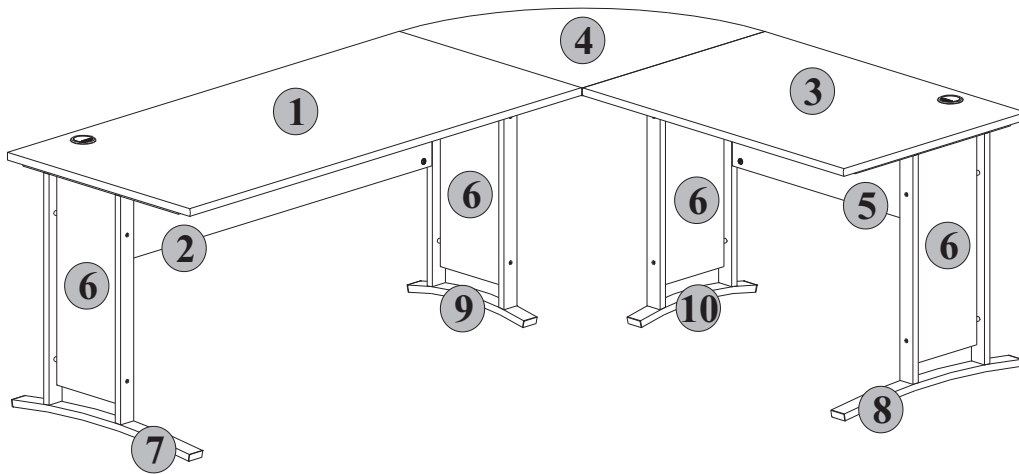
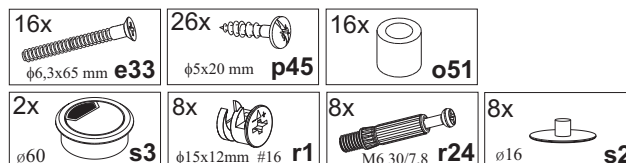
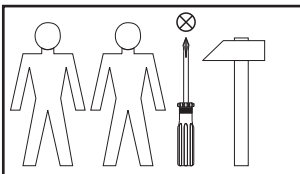


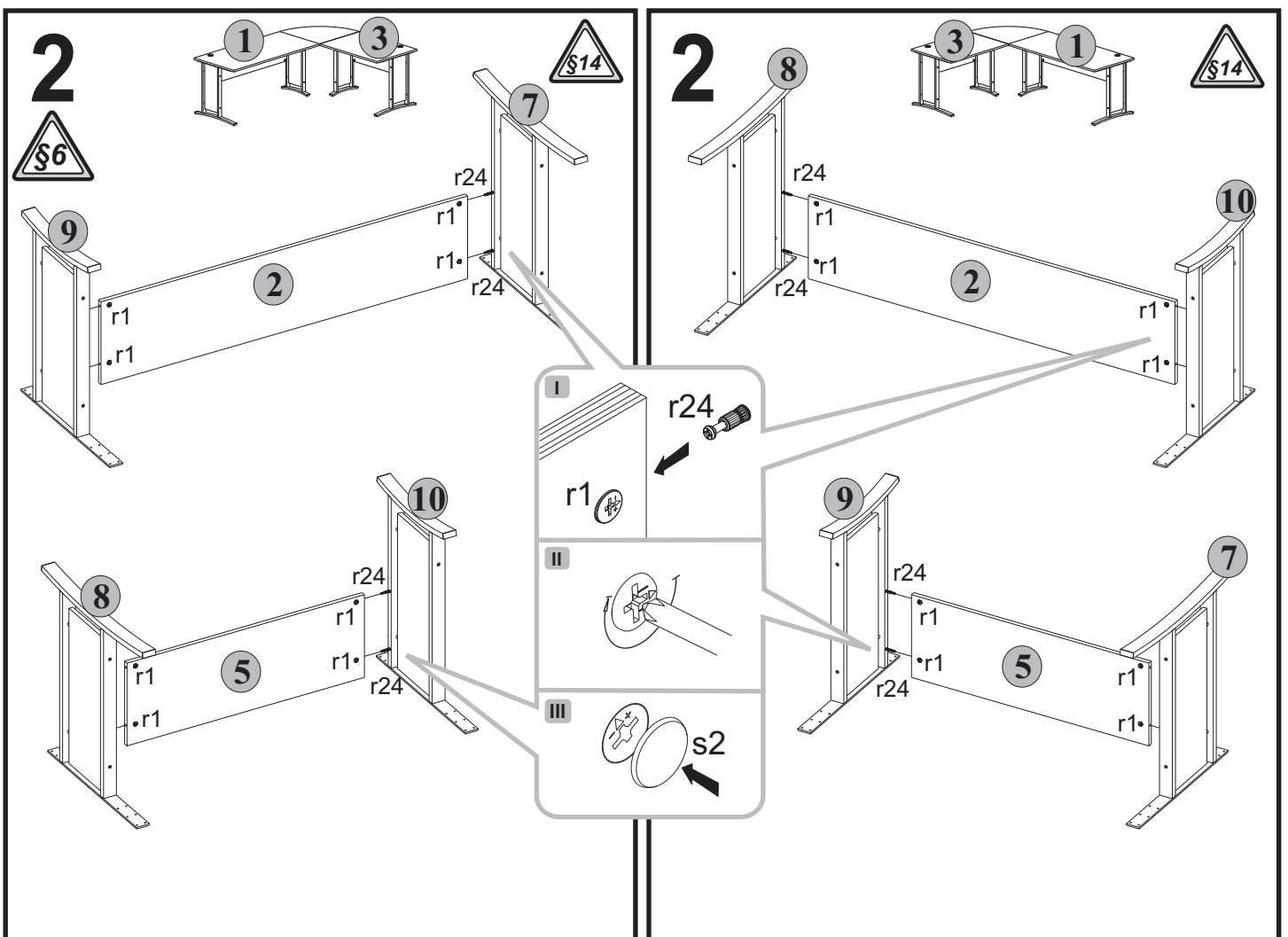
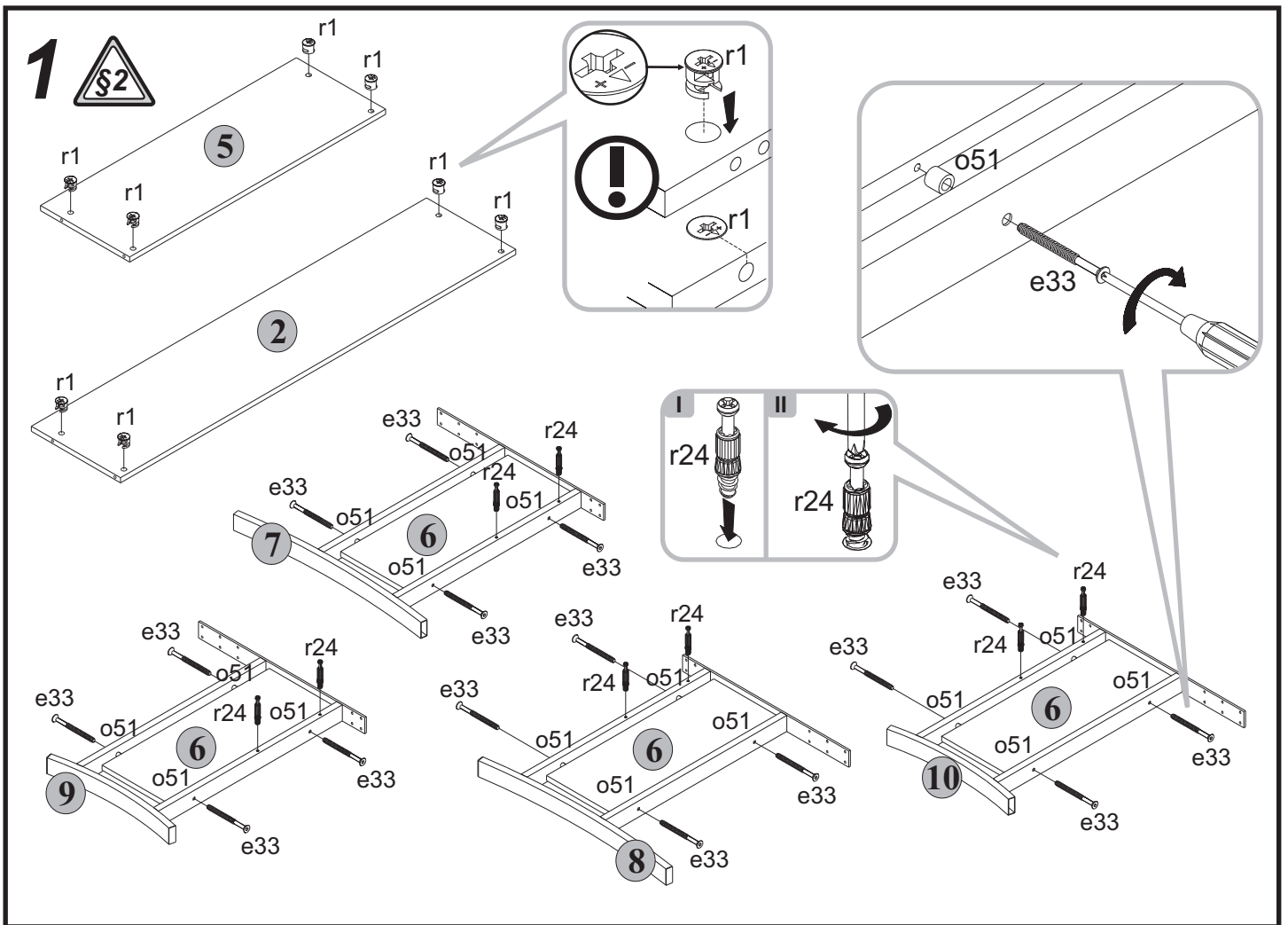
39-450  
39-451, 39-452

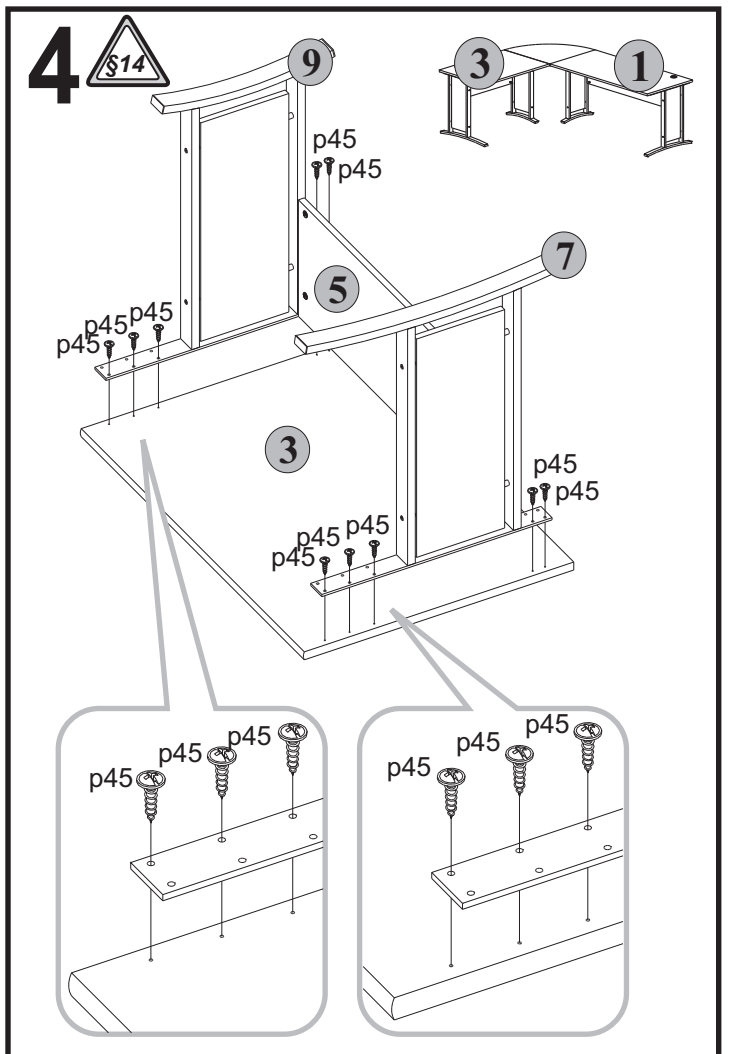
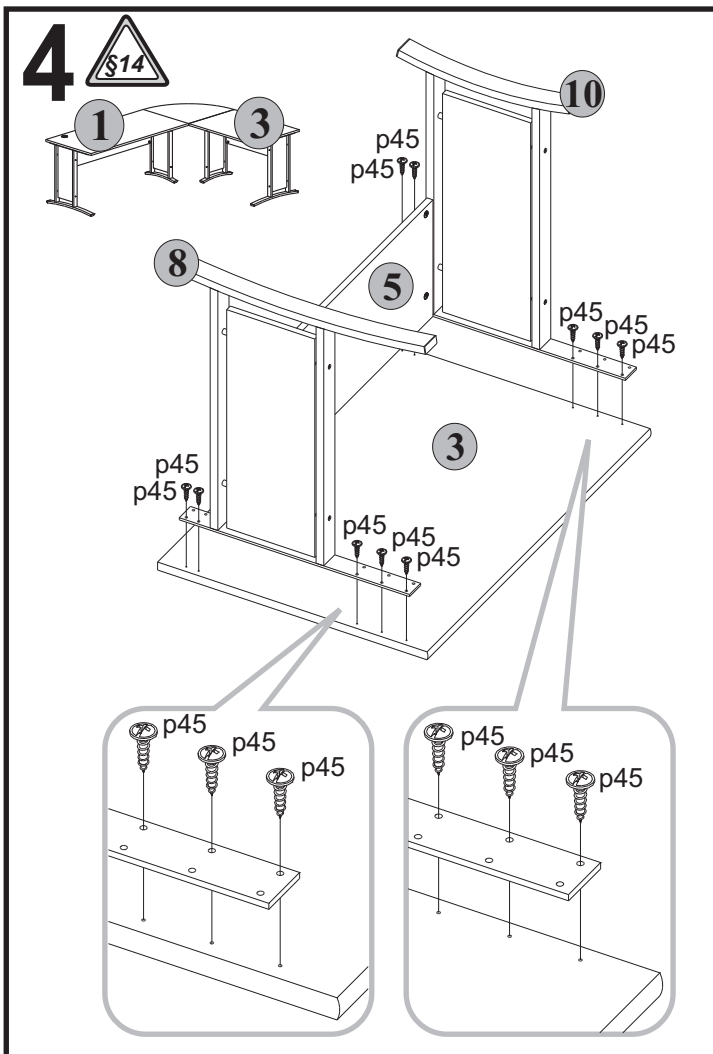
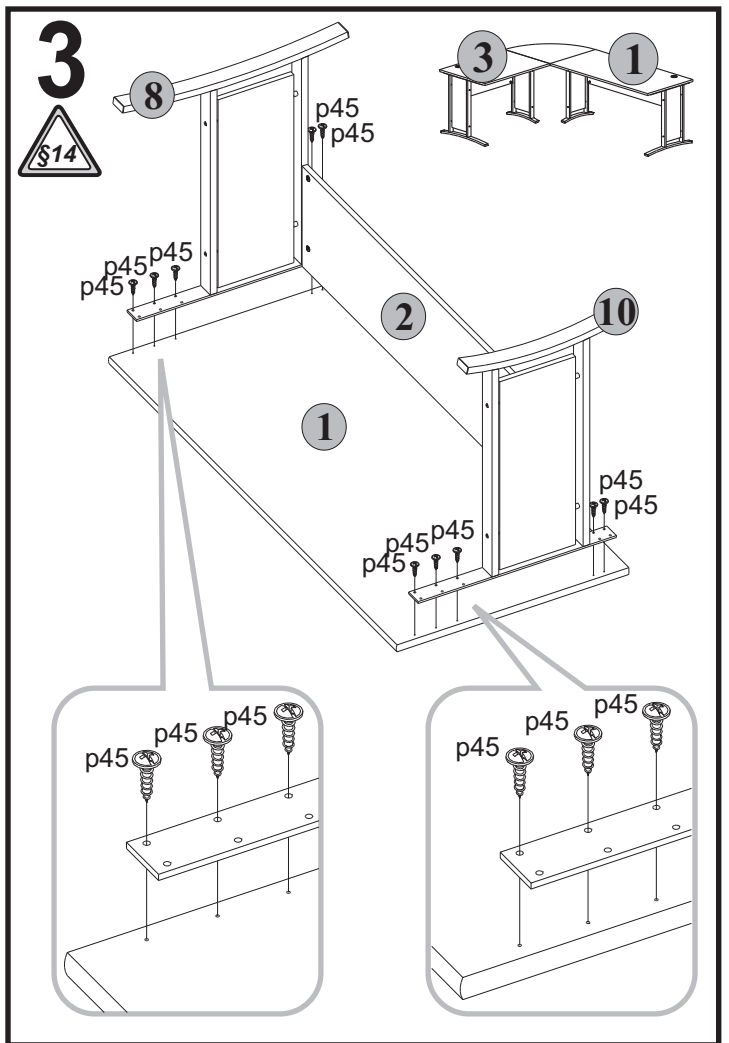
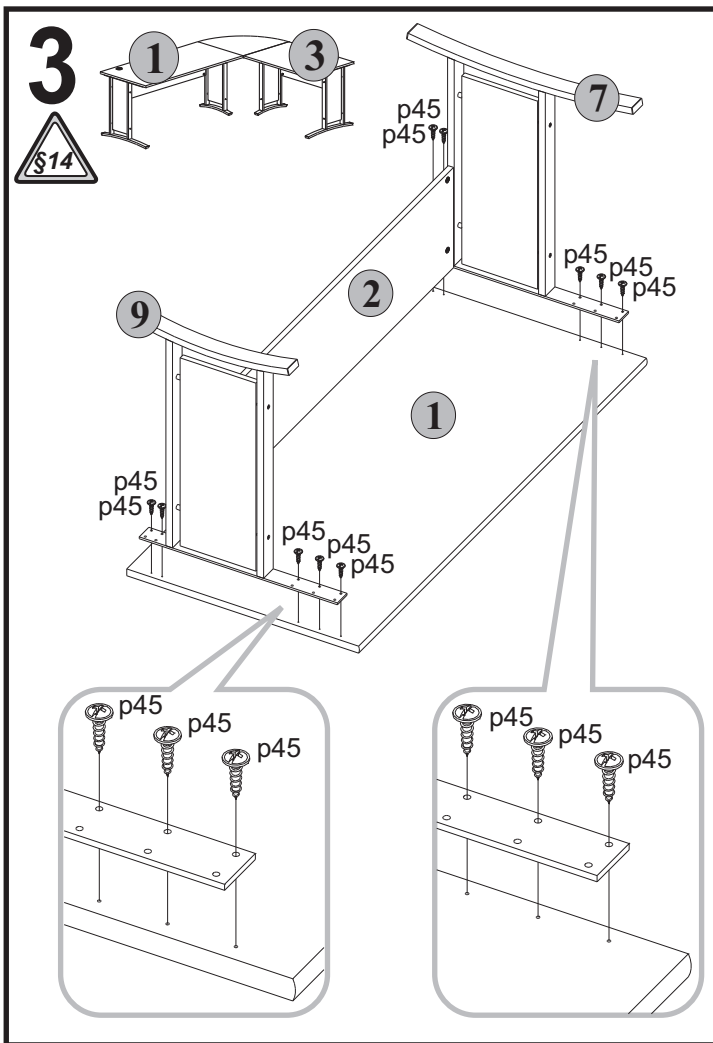
# S19-BIU/220/170

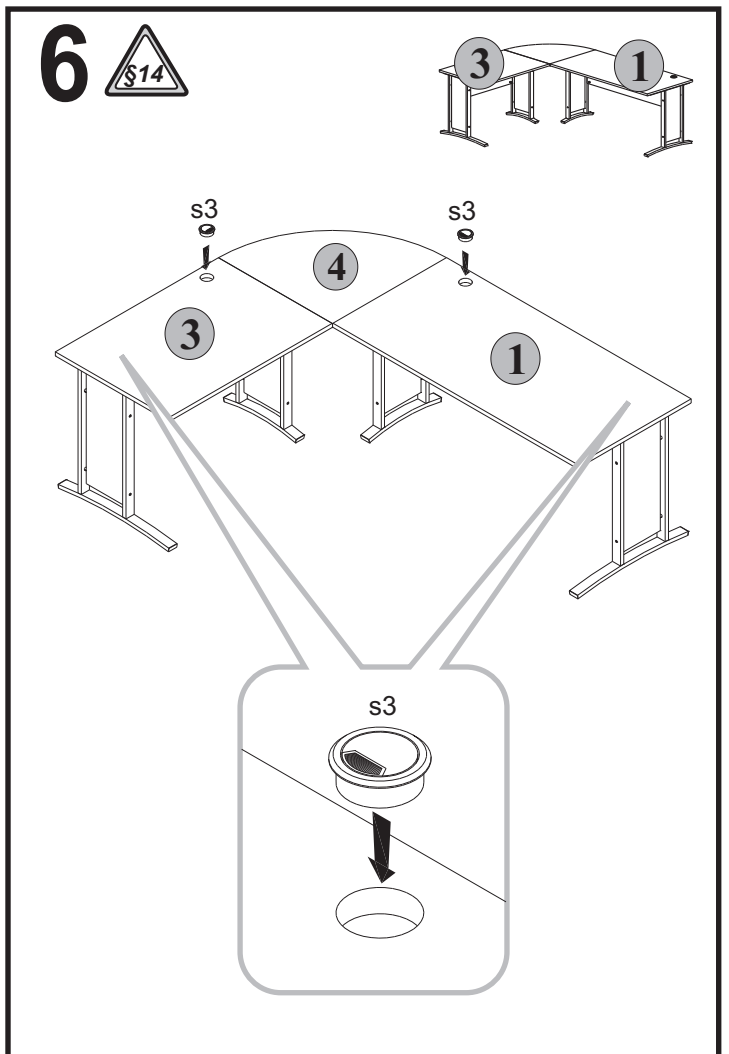
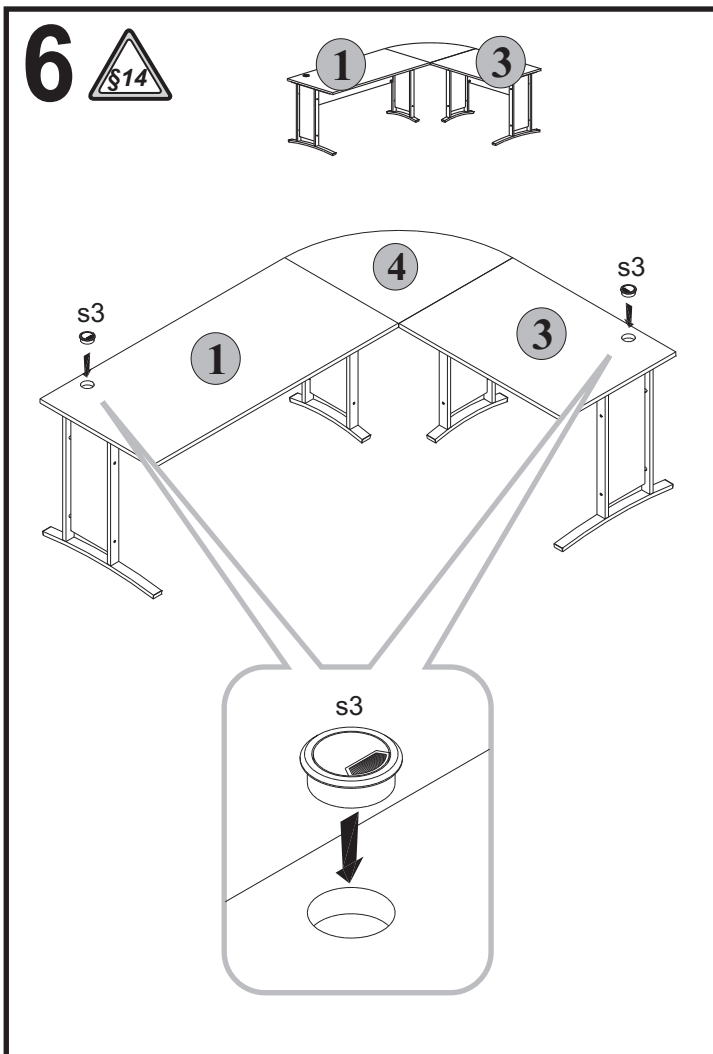
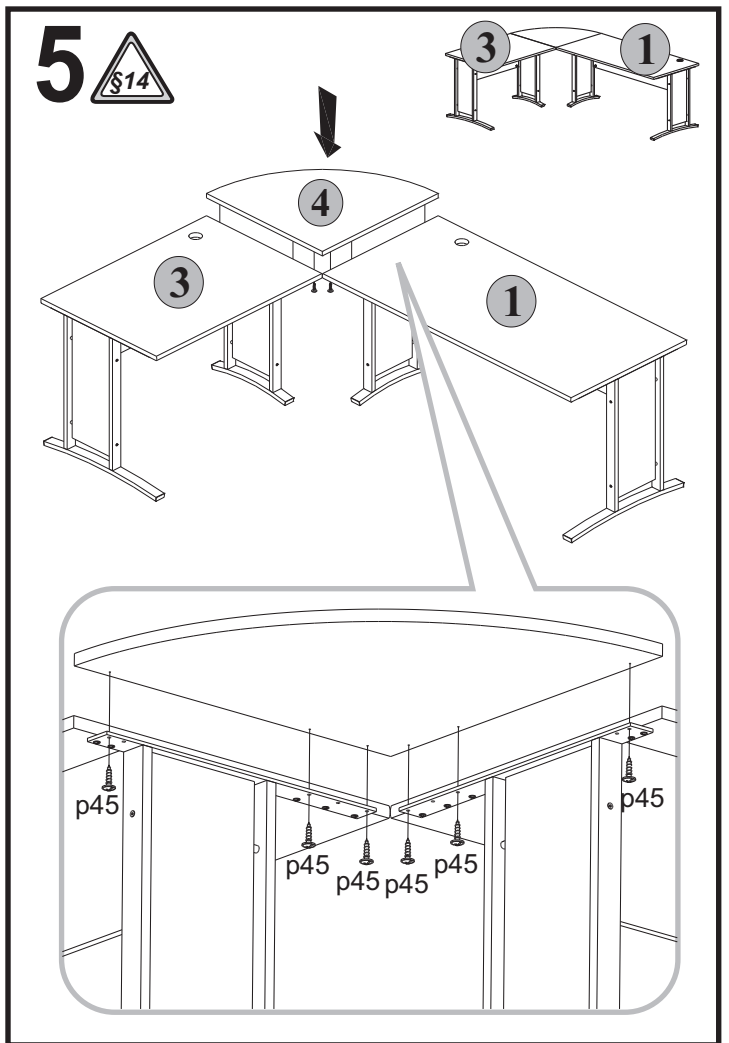
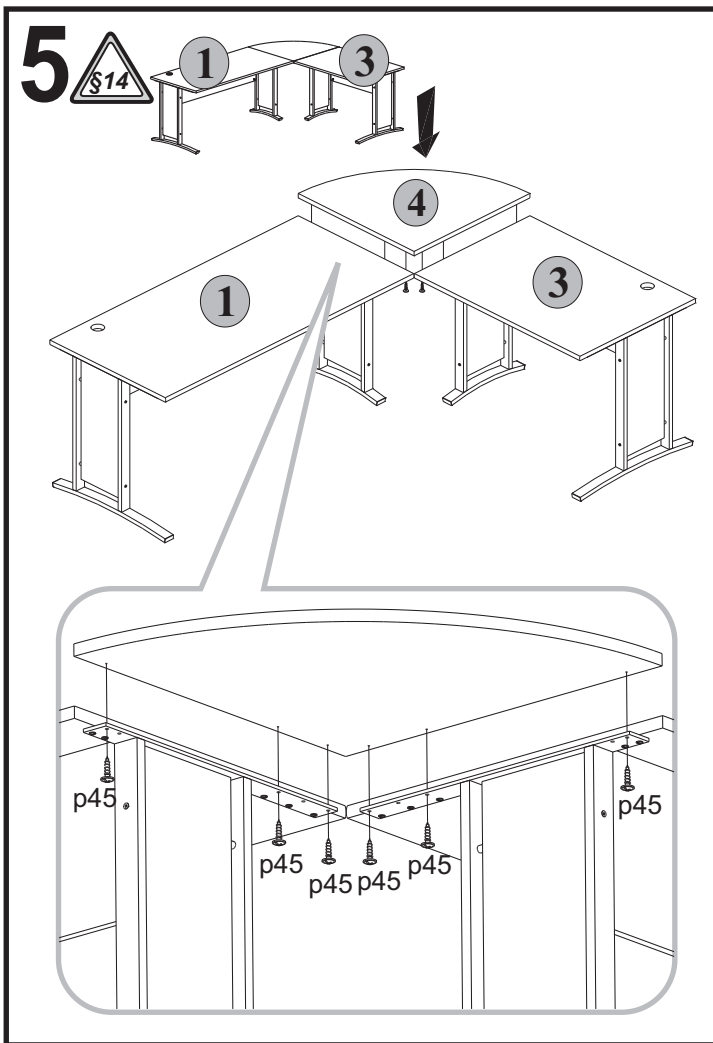


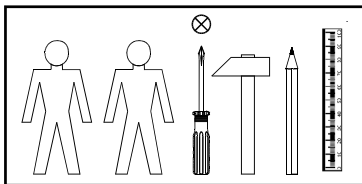
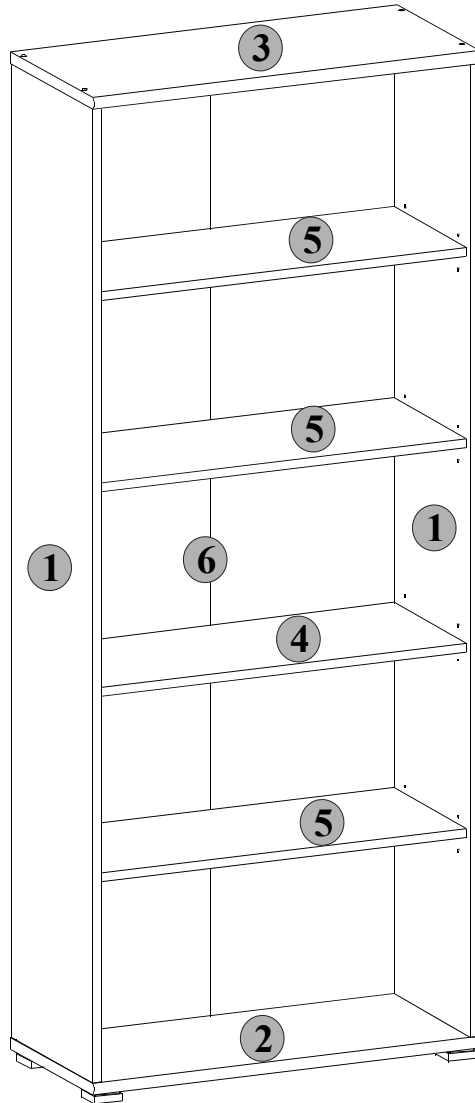
A	B	C	D
1	S19-2067/A	1500x700	5/7
2	S19-457/A	1418x320	5/7
3	S19-2068/A	1000x700	6/7
4	S19-2069	700x700	6/7
5	S19-458/A	918x320	6/7
6	S19-459	600x228	5/7;6/7
7	NZL/A	675x700	7/7
8	NZP/A	675x700	7/7
9	NWL/A	595x700	7/7
10	NWP/A	595x700	7/7







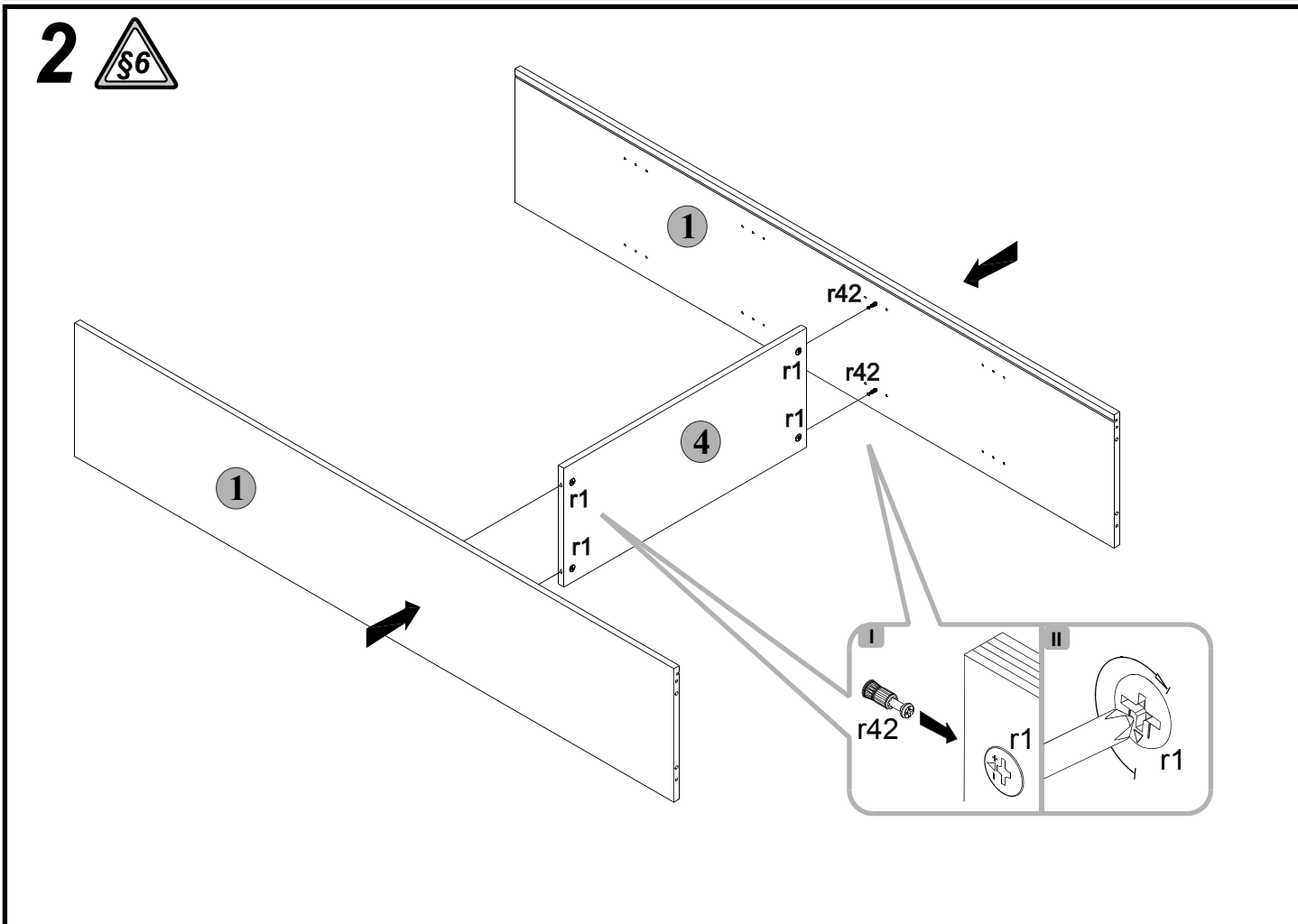
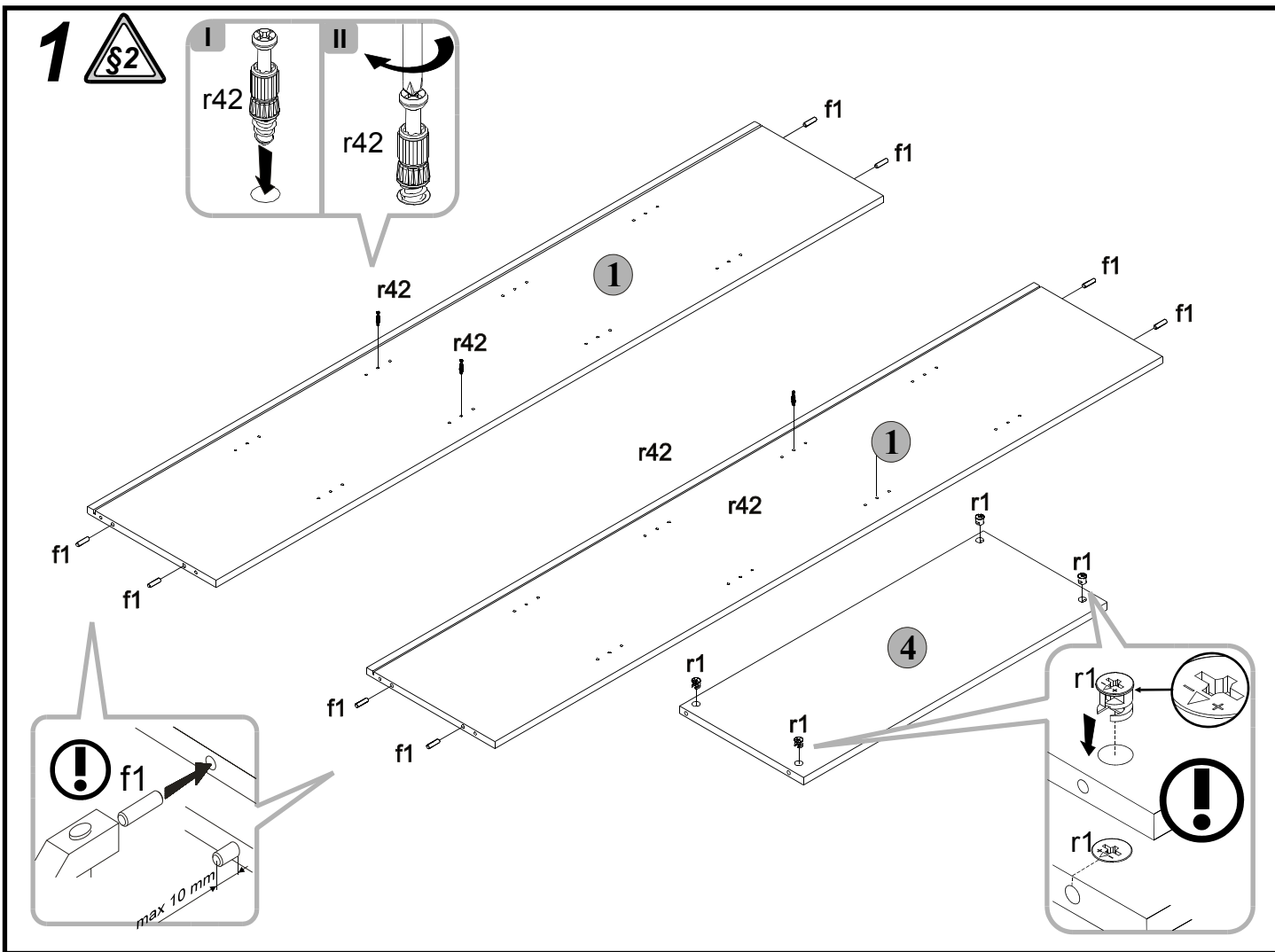


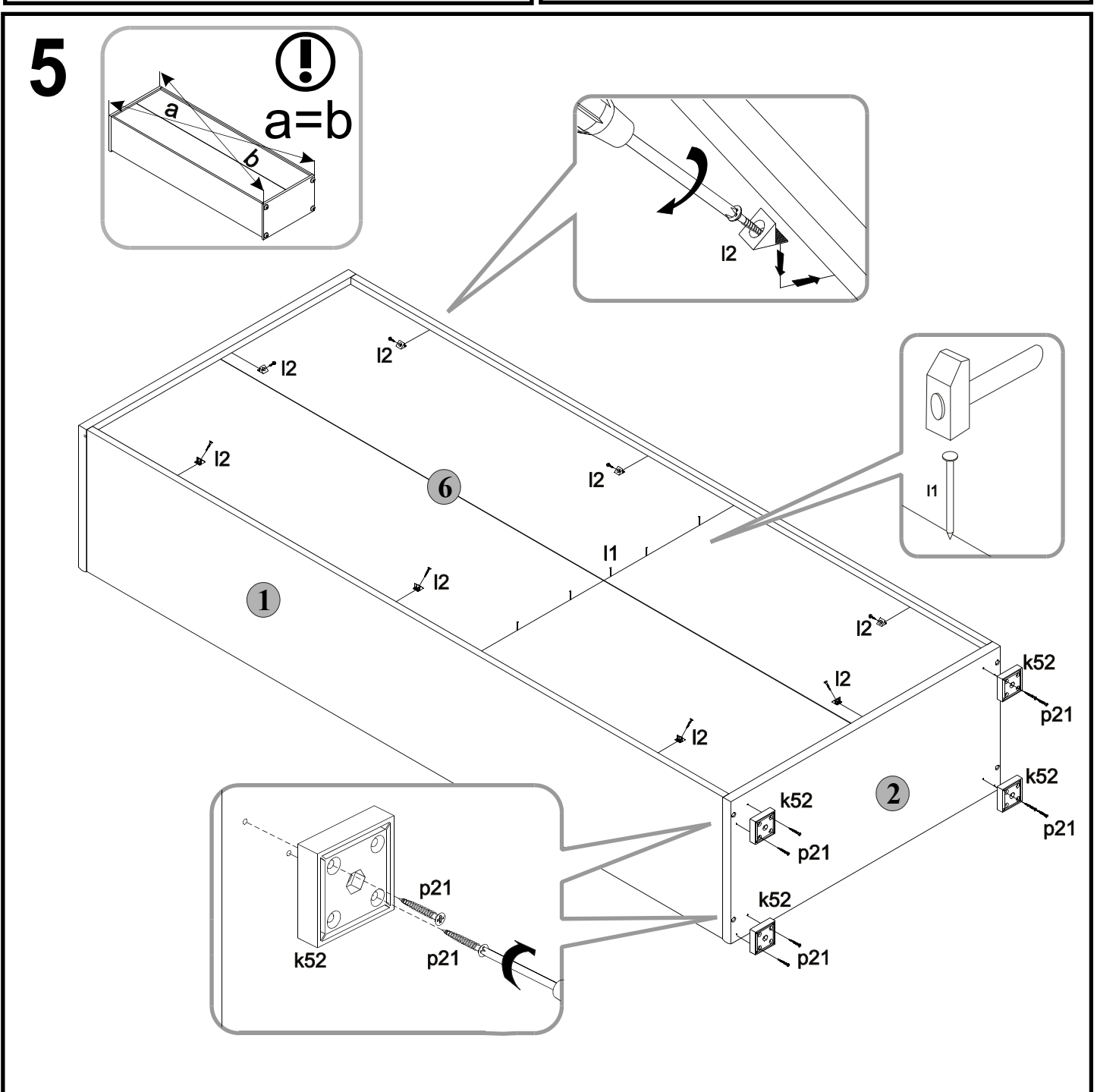
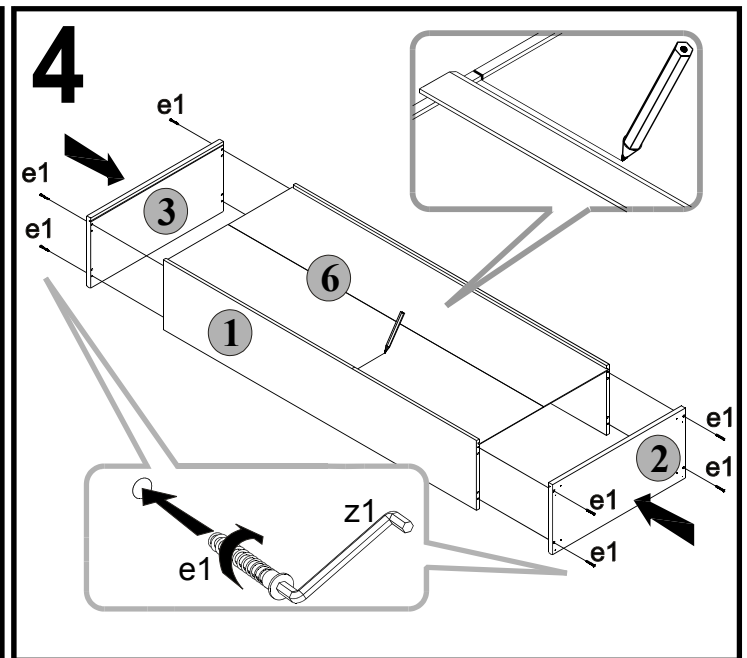
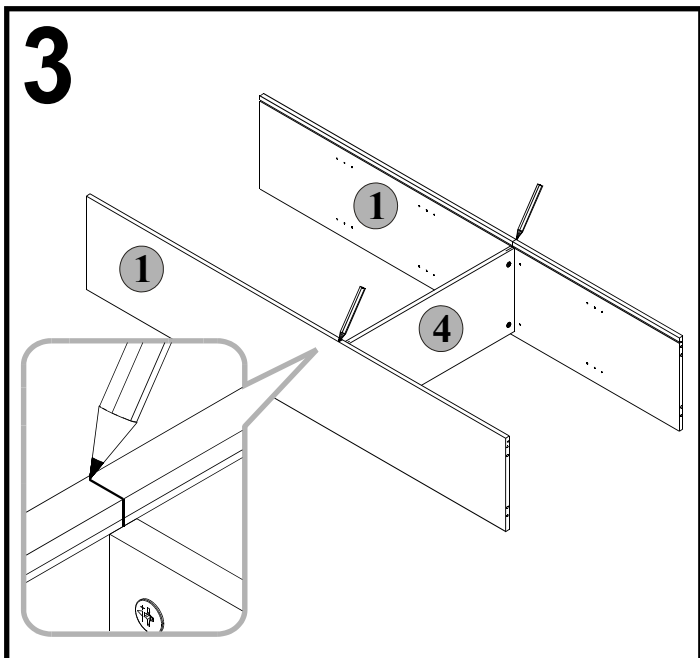


A	B	C	D
1	S19-1343	1796x346	1/1
2	S19-2080	761x350	1/1
3	S19-2081	761x350	1/1
4	S19-3398	728x309	1/1
5	S19-3399	728x309	1/1
6	S19-9998	1810x741	1/1

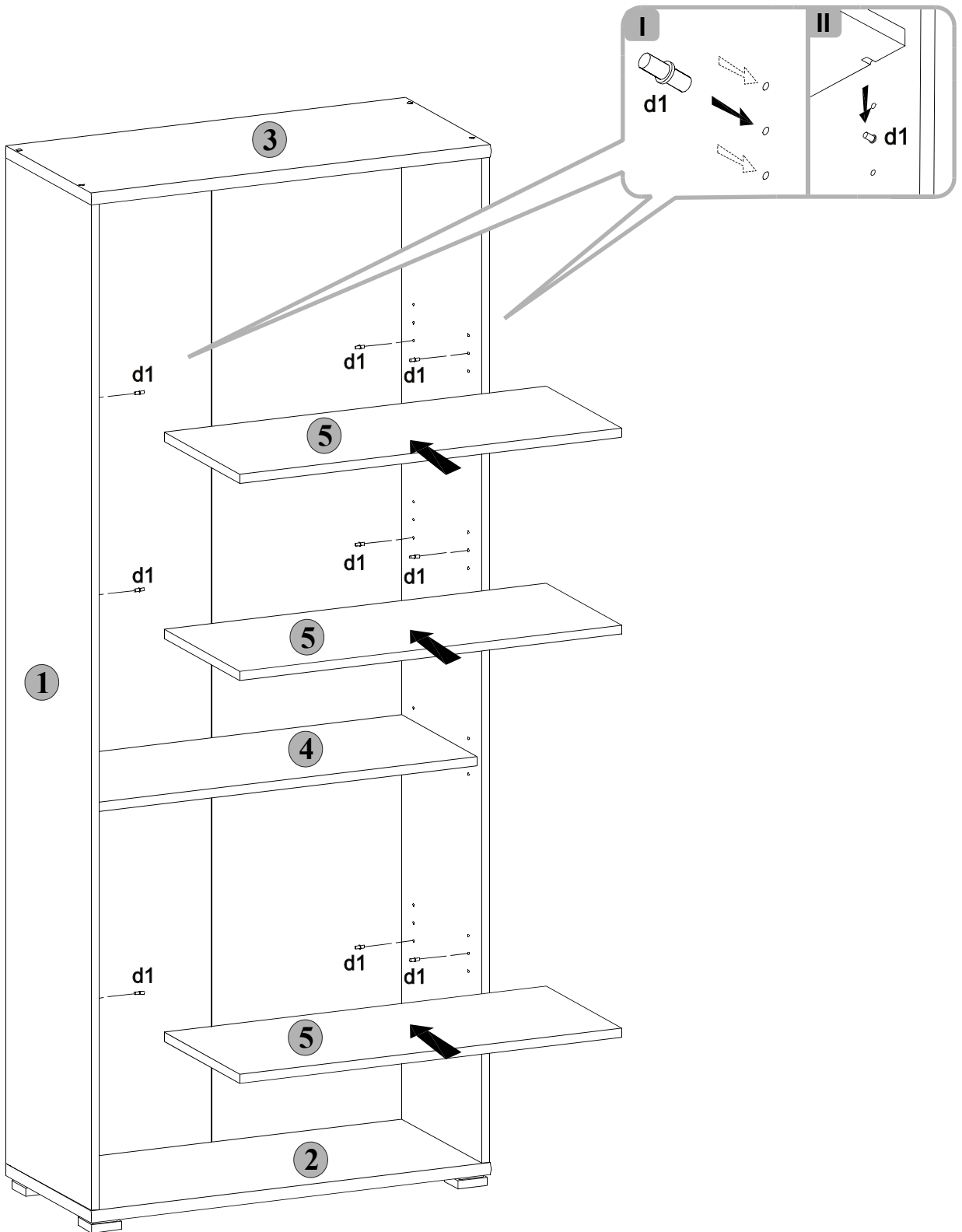


8x φ7x50 mm e1	12x φ5 d1	8x φ8x30 mm f1	8x I2
8x φ4x30 mm p21	4x 56x56/20 mm k52	4x φ15x12mm #16 r1	4x r42
5x l1	1x z1	4x ø16 s2	





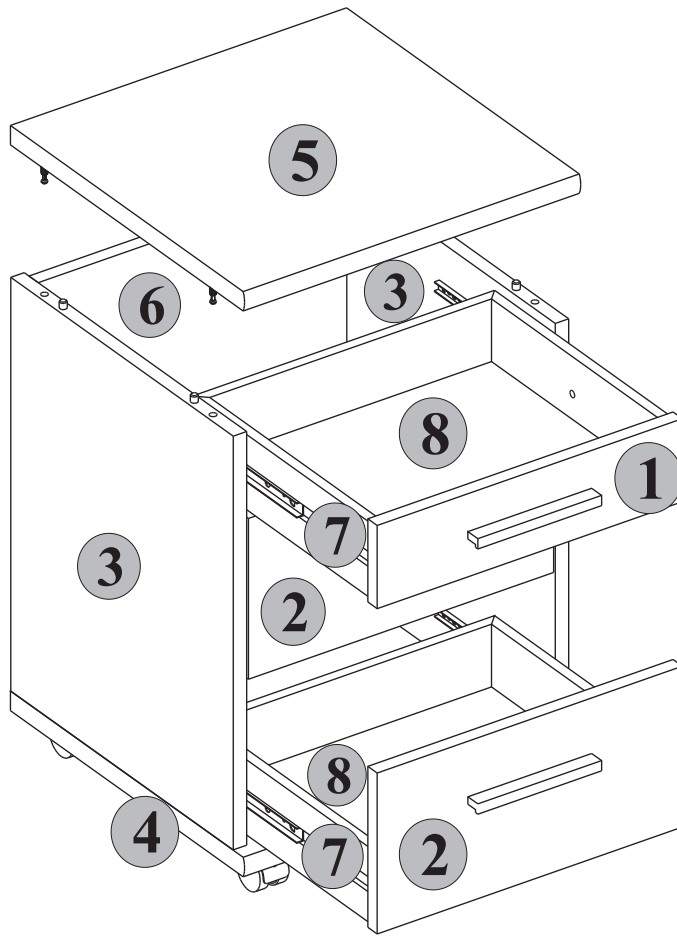
# 6



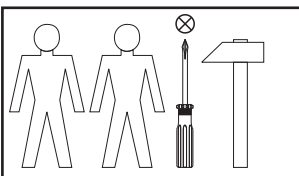


34-450, 39-450  
39-451, 39-454

# S19-KON3S

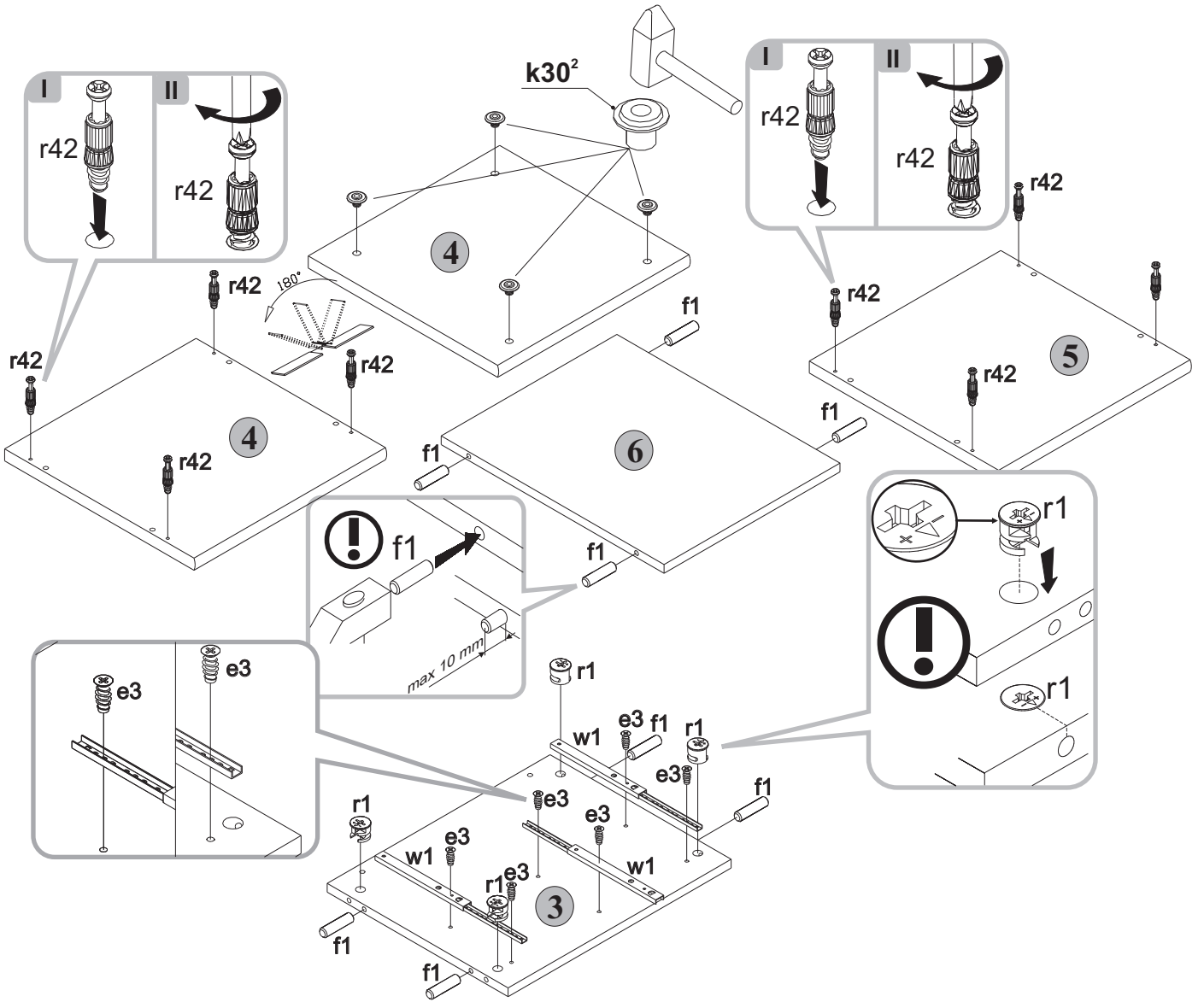


A	B	C	D
1	S19-0168	365x94	4/7
2	S19-0167	365x182	4/7
3	S19-1324	468x380	4/7
4	S19-206	402x400	4/7
5	S19-205	402x400	4/7
6	S19-546	468x369	4/7
7	S19-503A	965x85	4/7
8	S19-903	348x301	4/7

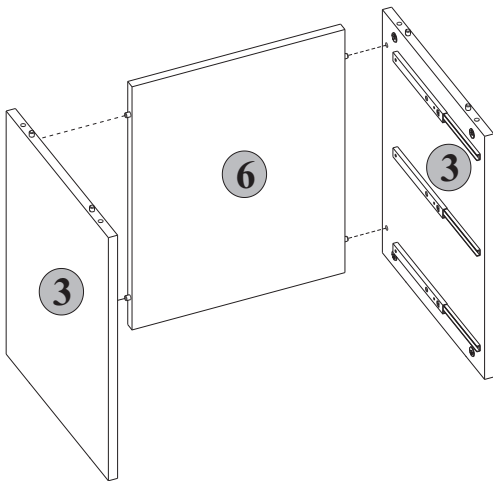


3x  c328	12x  φ6x13 mm e3	12x  φ8x30 mm f1
4x  φ40 k30 <sup>1</sup>	8x  φ15x12mm #16 r1	12x  φ12x10.5mm #12 r15
20x  r42	4x  k30 <sup>2</sup>	6x  φ4x30 mm p9
6x  M4x9 mm j2	6x  185 mm w1	

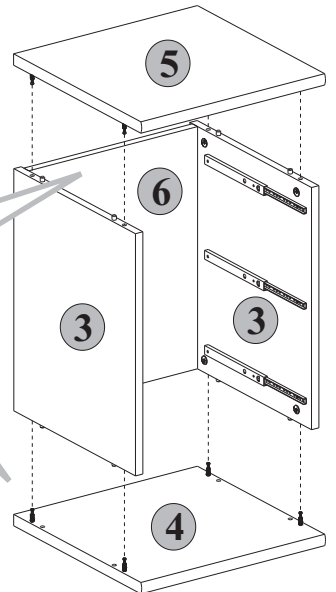
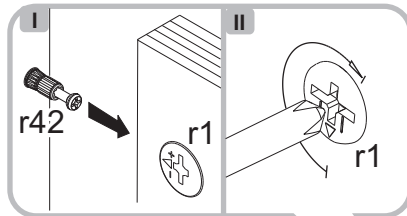
# 1



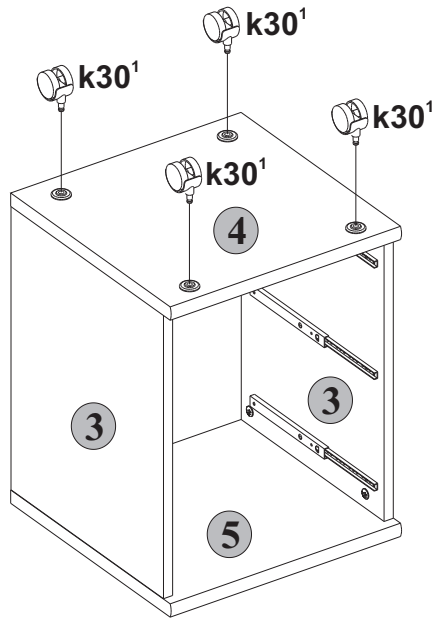
# 2



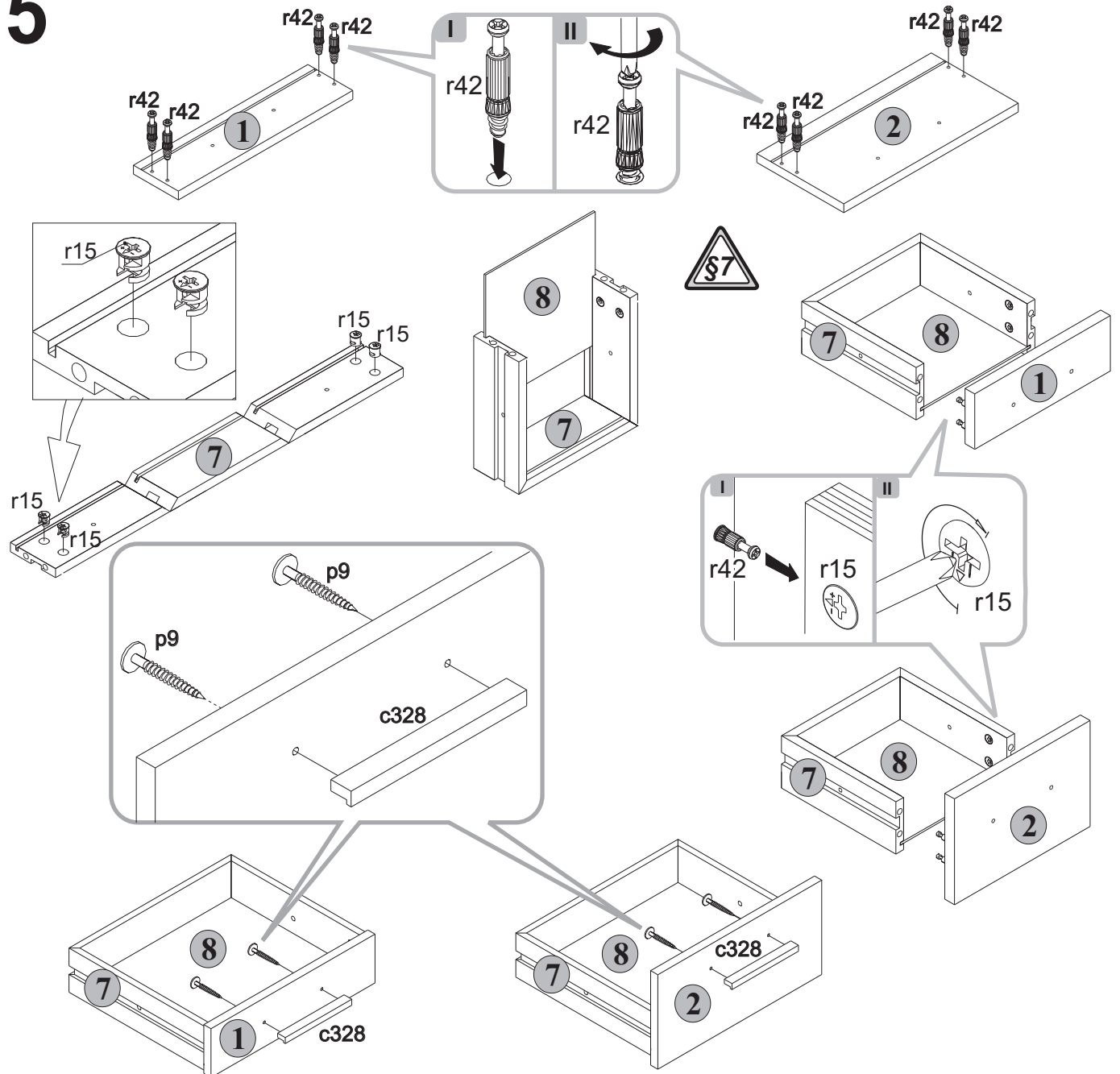
# 3



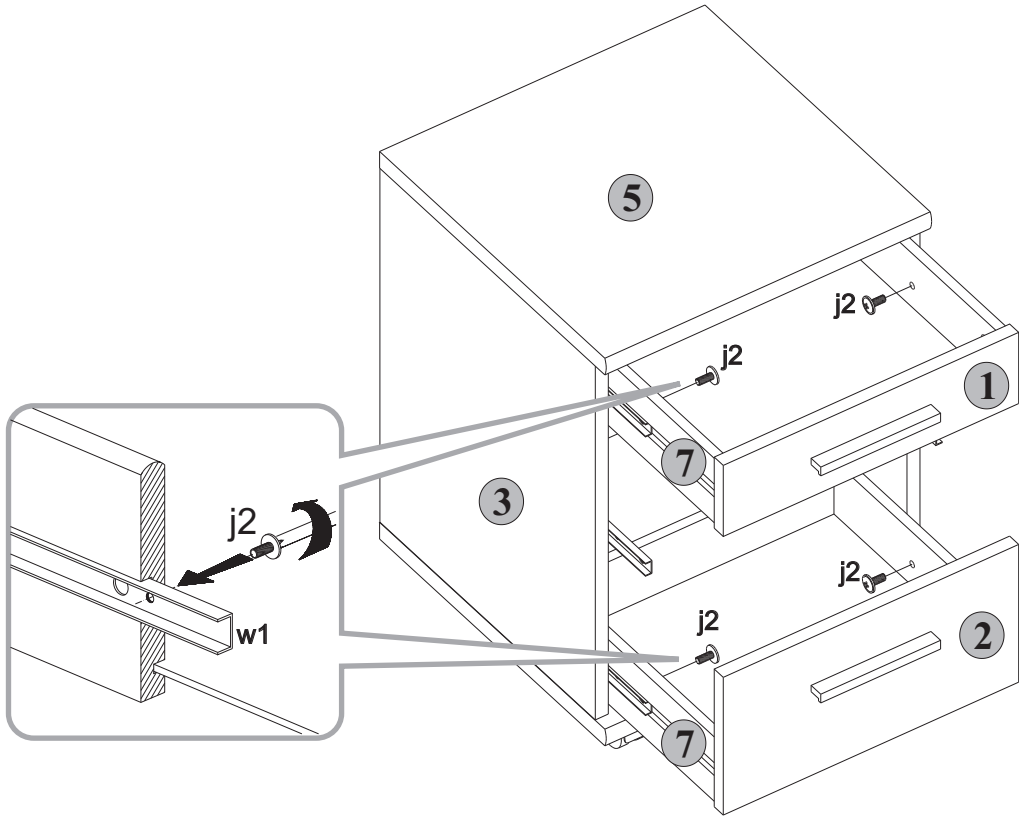
# 4



# 5



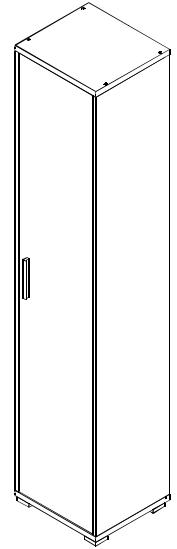
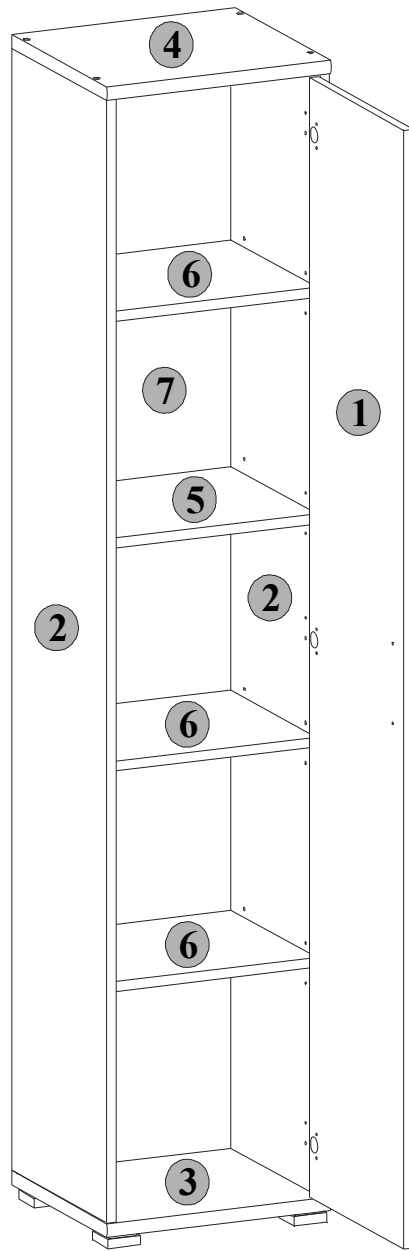
6



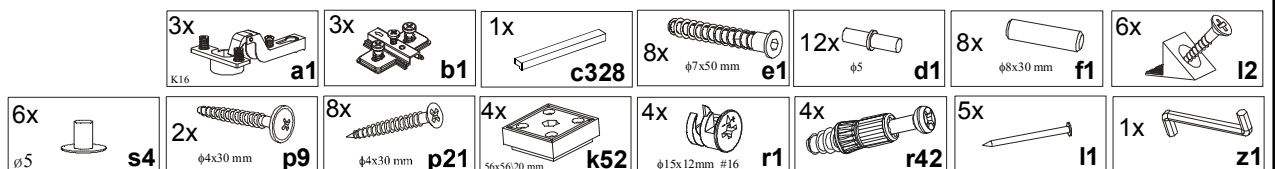
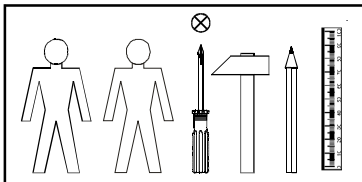
89-451  
70-451

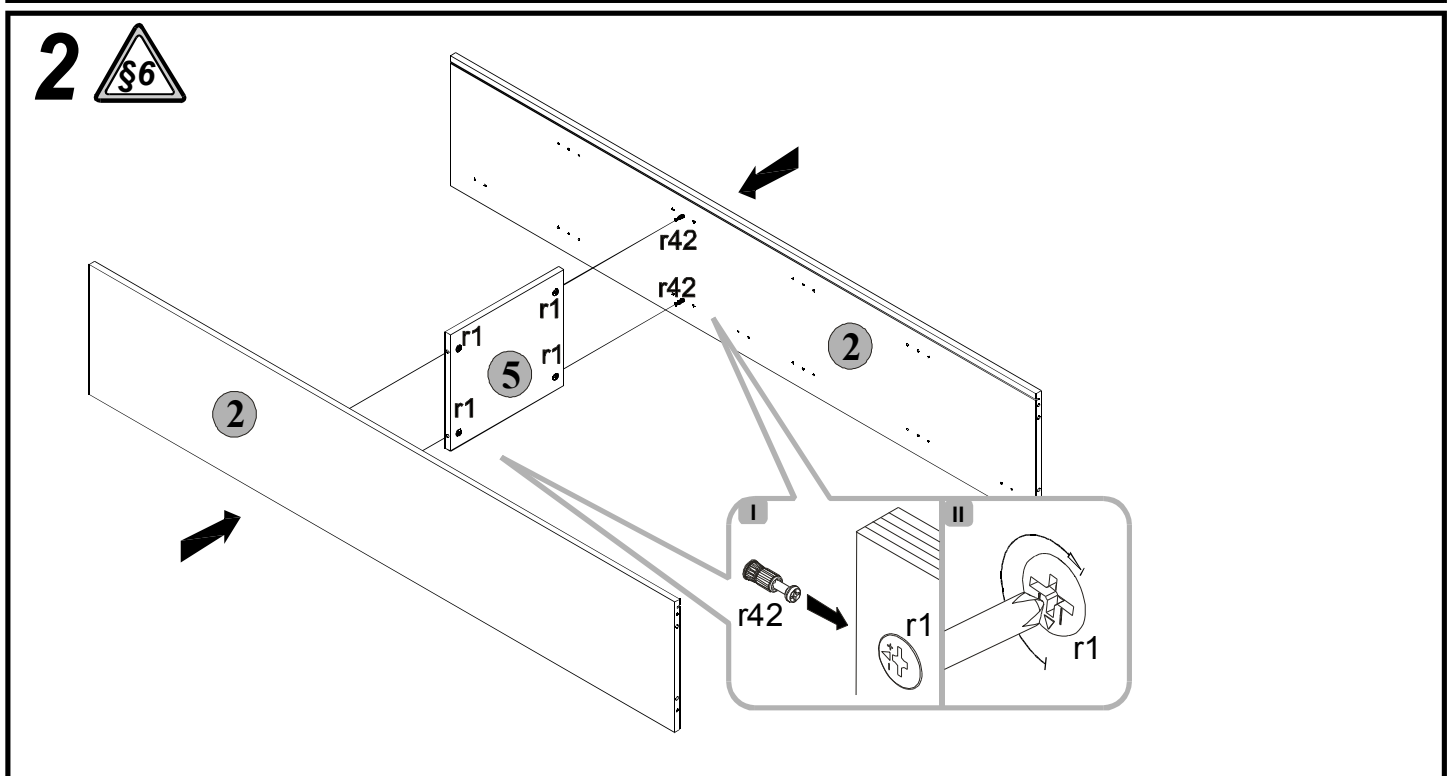
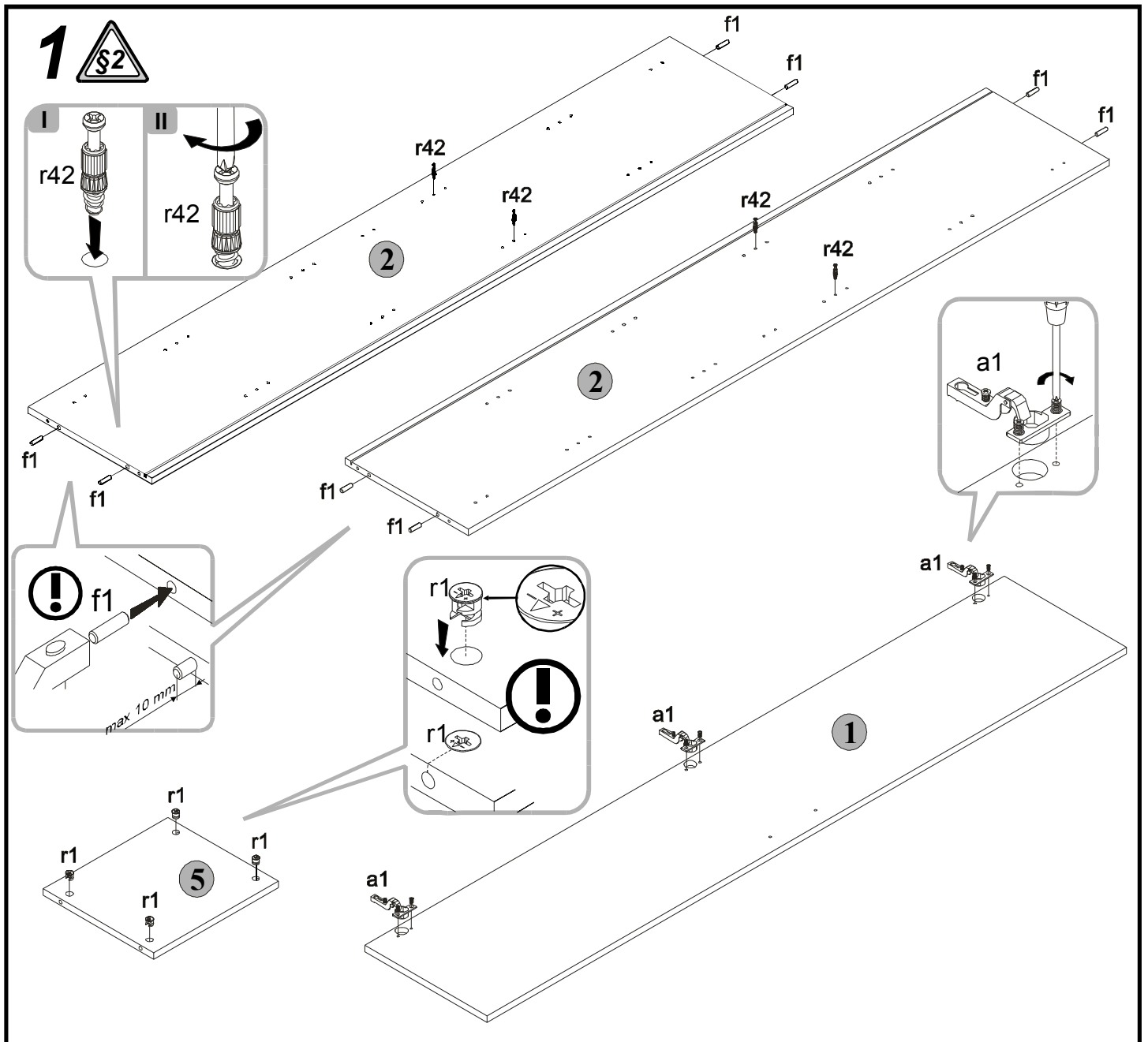
# OFFICE LINE

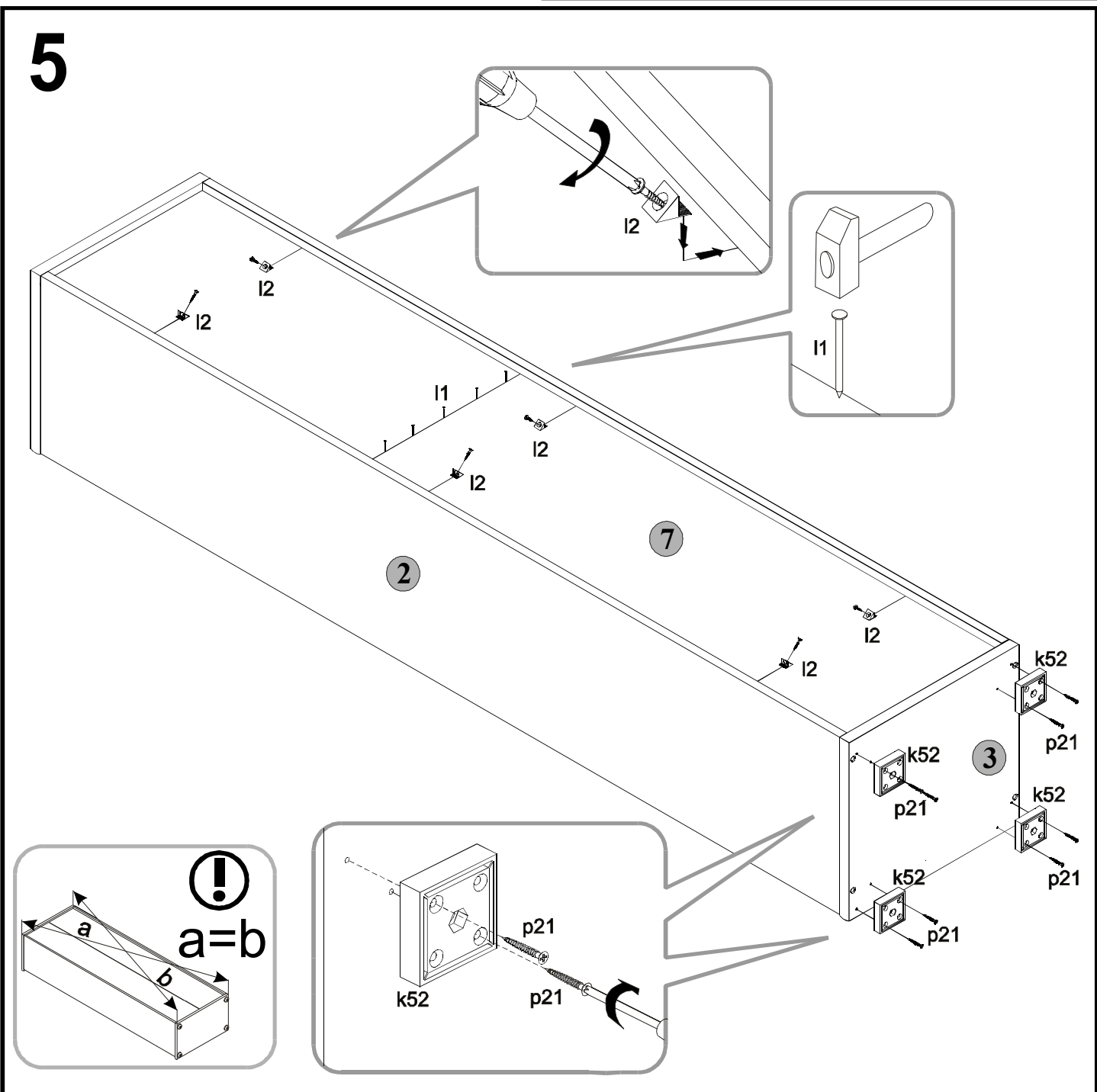
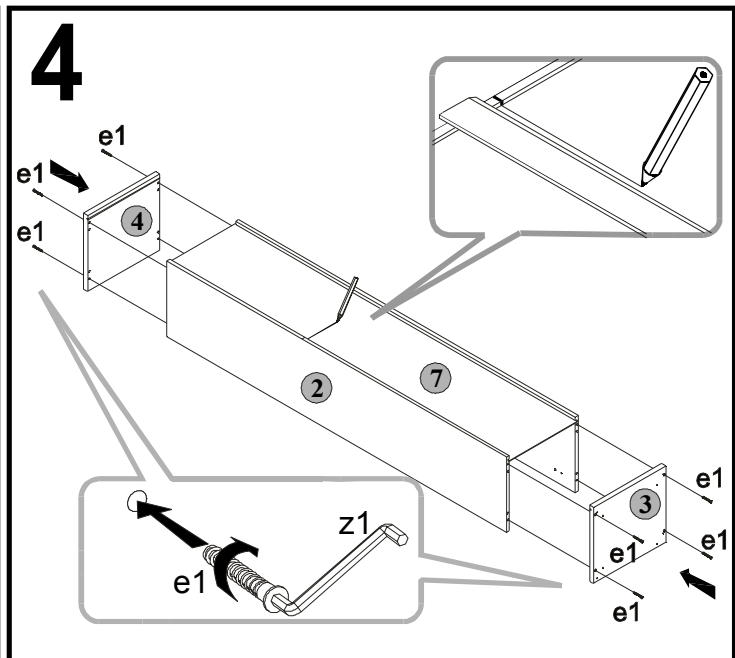
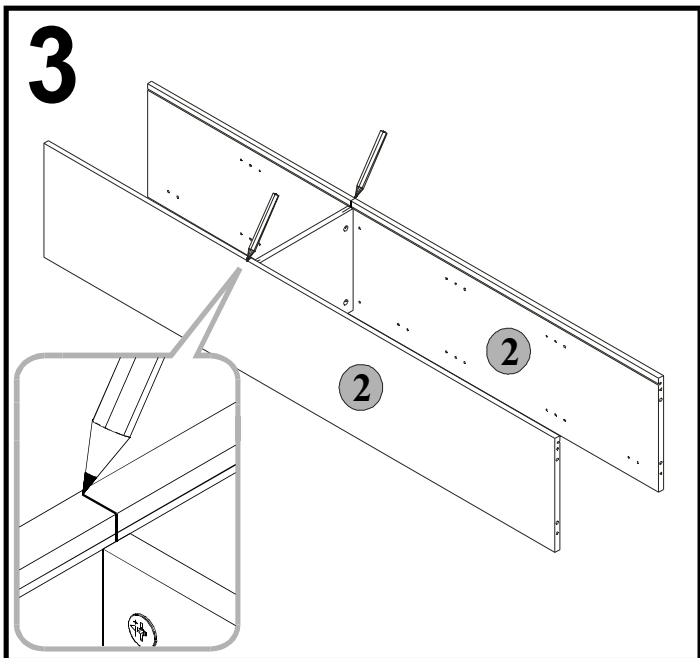
SZF1D



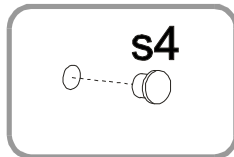
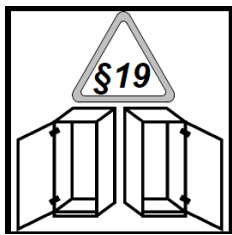
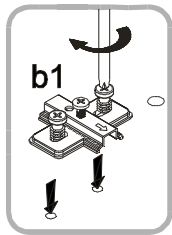
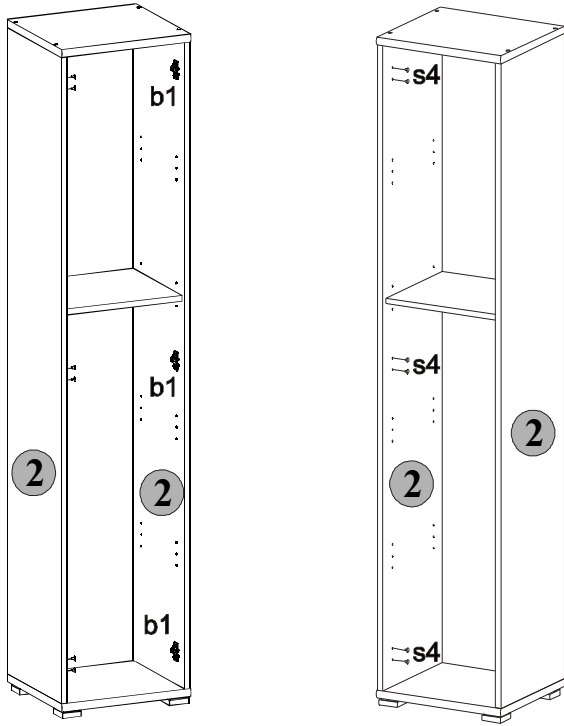
A	B	C	D
1	S 19-0 180	17 90x344	1/1
2	S 19-1 344	17 96x346	1/1
3	S 19-2 082	381x350	1/1
4	S 19-2 083	381x350	1/1
5	S 19-3 400	348x309	1/1
6	S 19-3 401	348x309	1/1
7	S 19-9 999	18 10x362	1/1



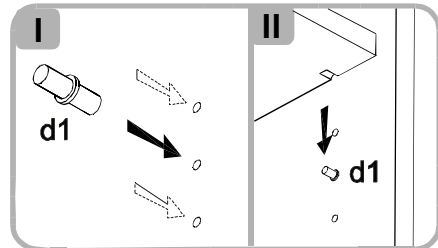
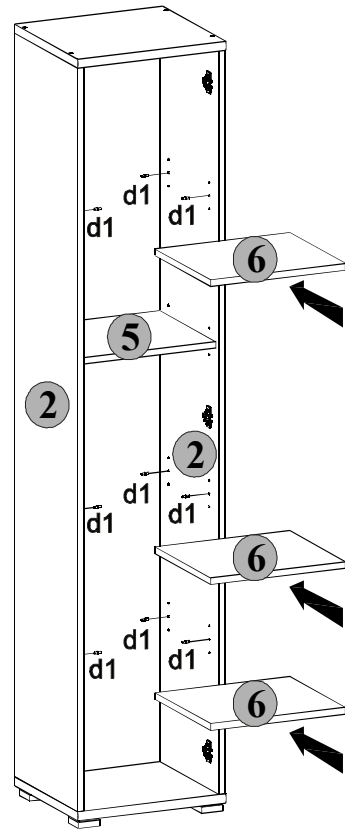




# 6



# 7



# 8

