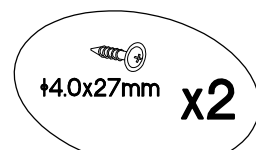
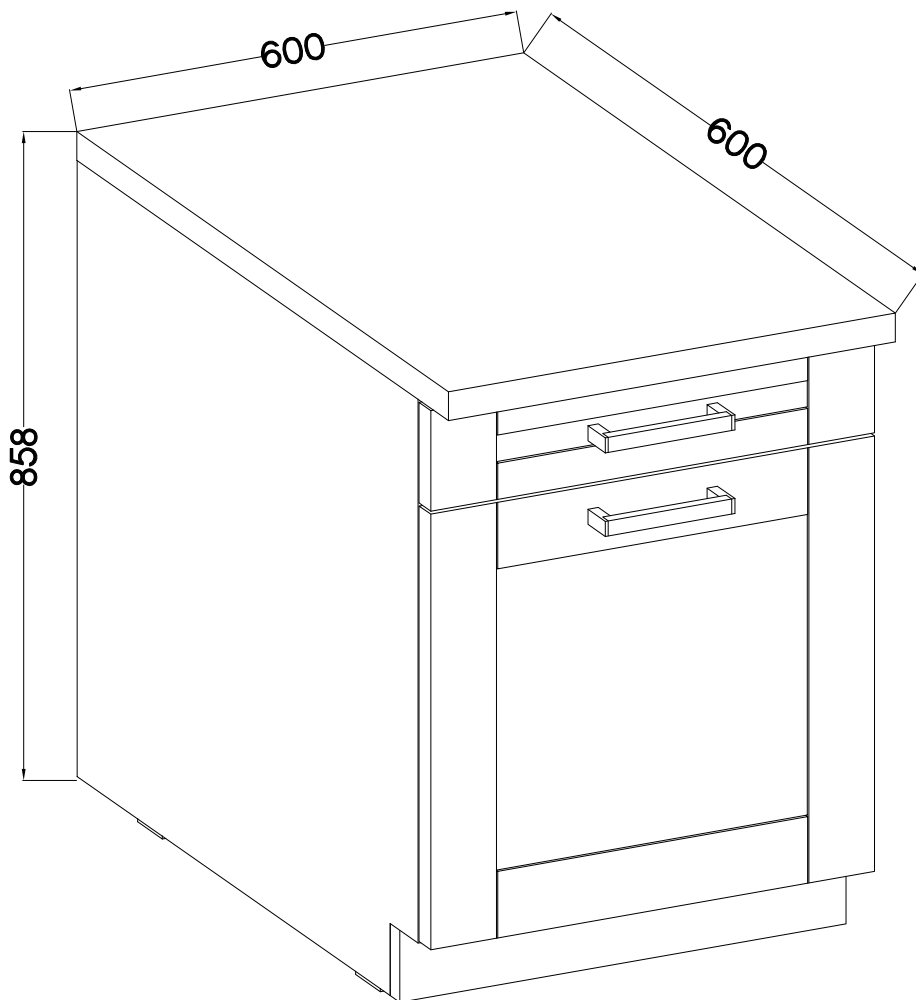


90 min

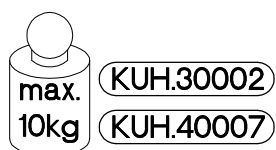
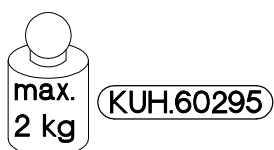
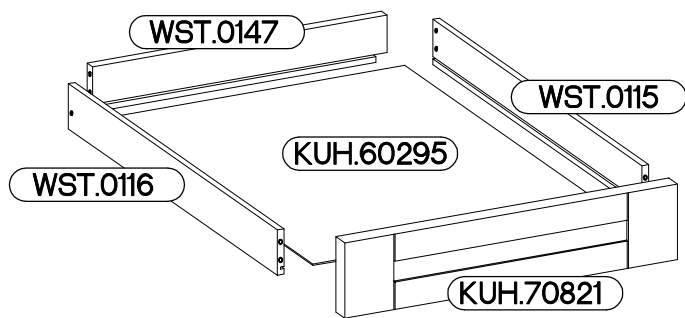
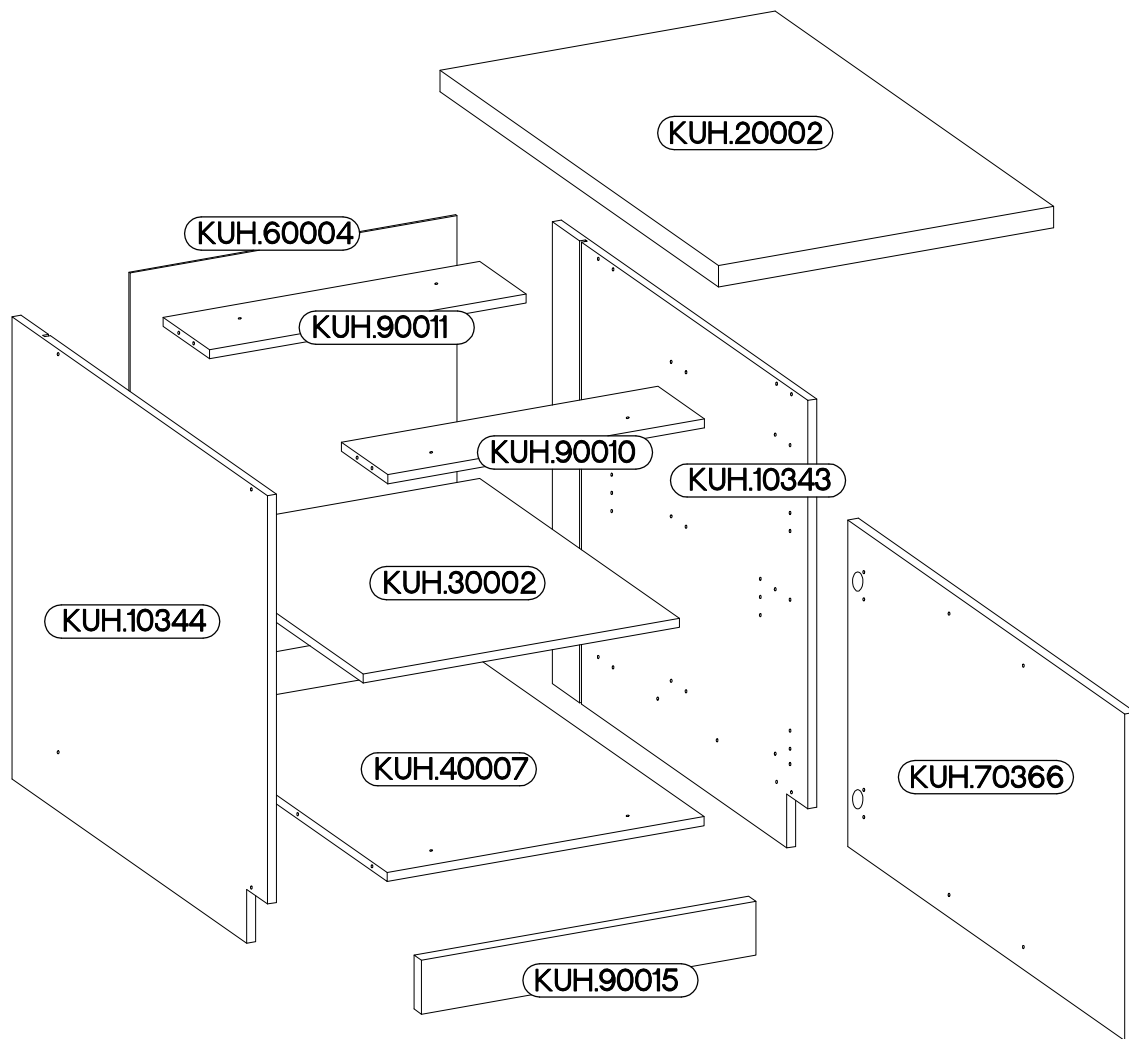
US 60

00020010-09

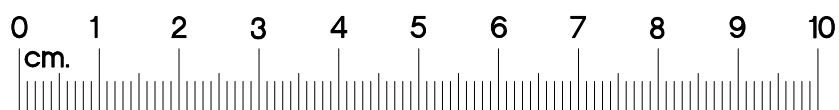


†8x30mm A 12	6,4 x 50mm B 8	†6x42mm B2 2	†12/10mm C5 2	L=20mm D2 2	E1 8						
E9 2	6.5x48x16 F2 4	†35/0mm HG 2	L=450mm L R 1	J 4	L 2	†6.3x13mm M2 8	O 1	†4.0x45mm P4 2	†3.5x13mm P5 8		
†3.0x20mm P7 12	†4.0x35mm R3 4	S 2	T15 2	8x20x100mm T14 2	M4x22mm U 2	M4x27mm U8 2					




ISM-KUH-01238

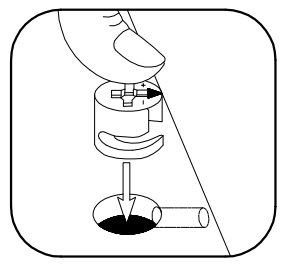
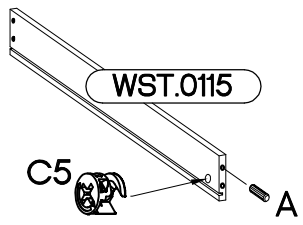
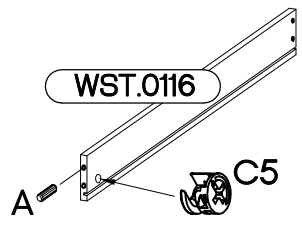
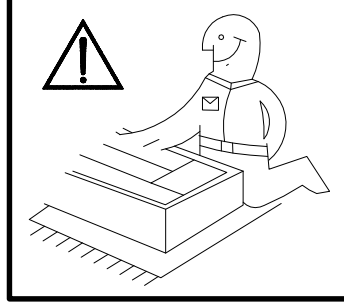
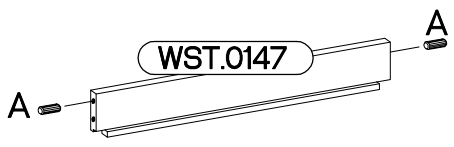


KUH.10343	815x550x16
KUH.10344	815x550x16
KUH.20002	600x600x38
KUH.30002	566x430x16
KUH.40007	567x485x16
KUH.60004	713x585x2,5
KUH.60295	537x448x2,5
KUH.70821	133x596x19
KUH.70366	576x596x19
KUH.90010	567x100x16
KUH.90011	567x100x16
KUH.90015	599x95x16
WST.0115	450x80x12
WST.0116	450x80x12
WST.0147	527x80x12





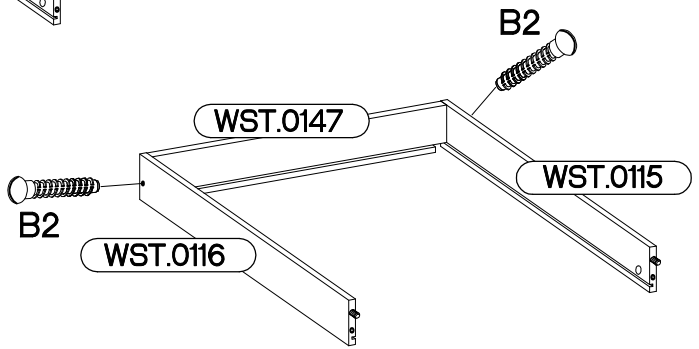
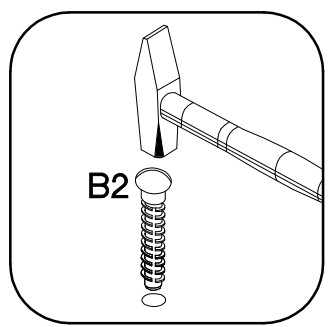
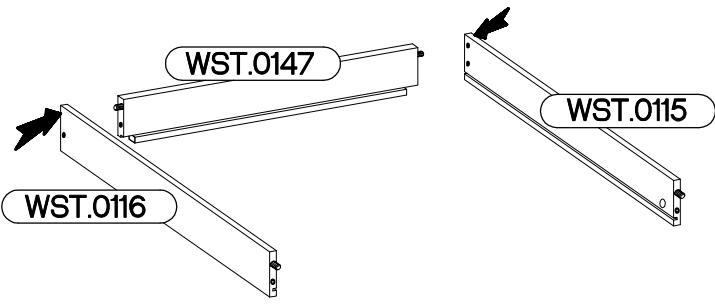
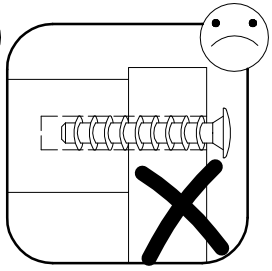
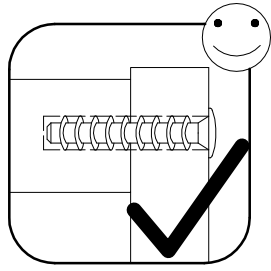
1

#2/10mm  C5 2	+8x30mm  A 4	 O1 1
--	---	---

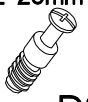


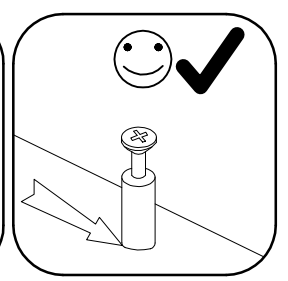
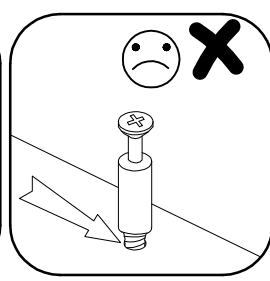
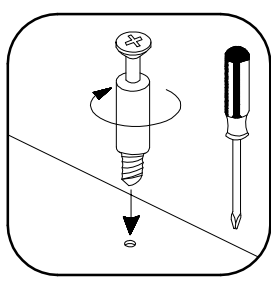
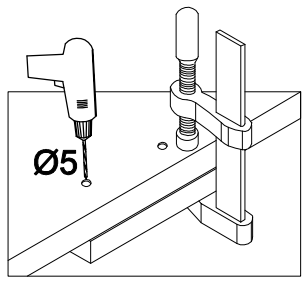
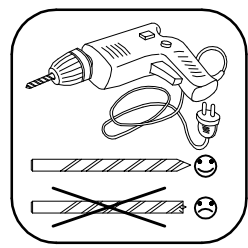
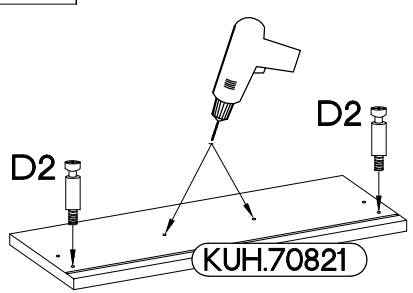
2

+6x42mm  B2 2	 O1 1
---	--

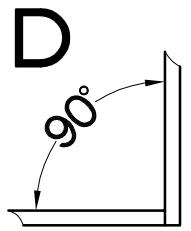
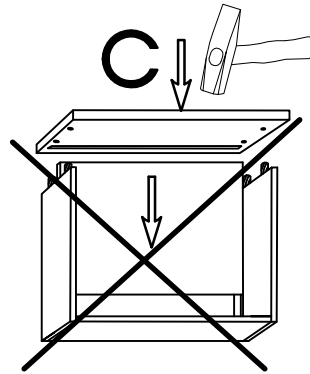
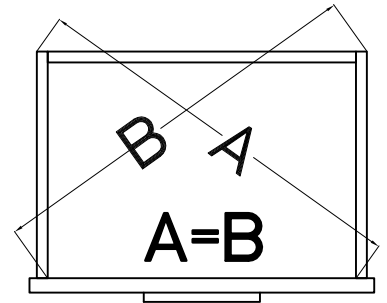
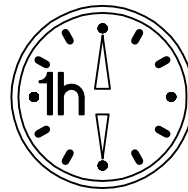
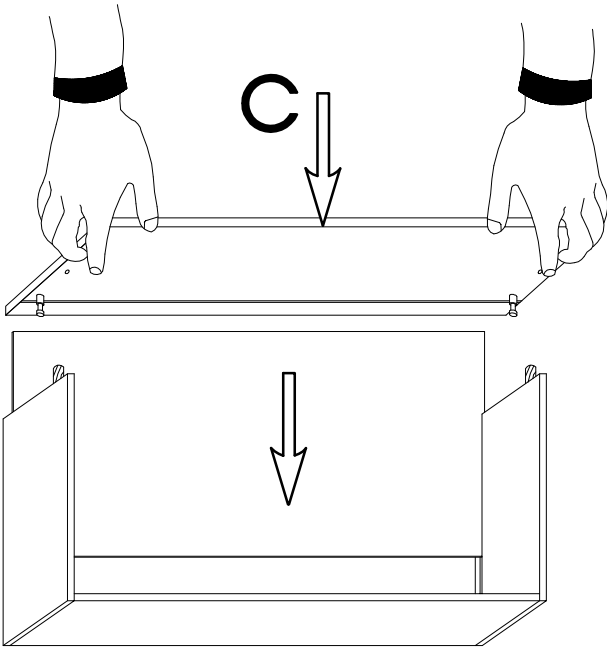
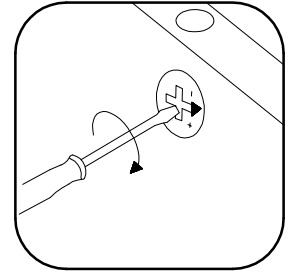
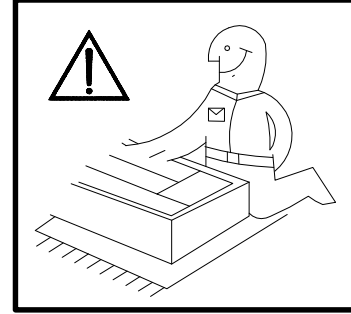
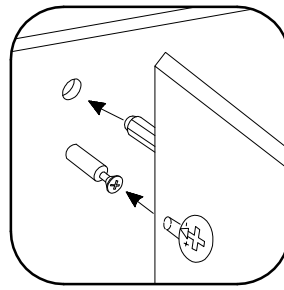
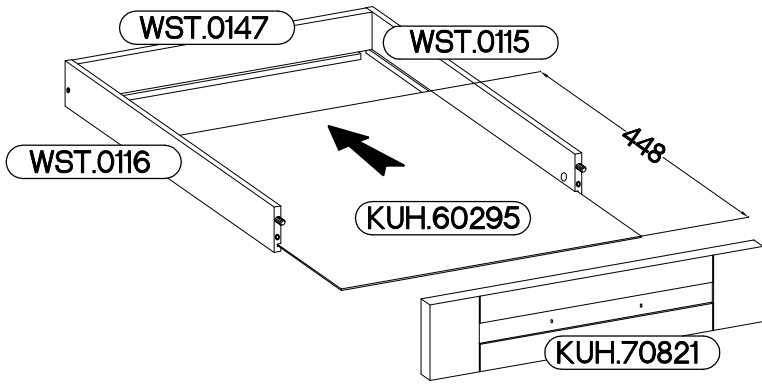


3

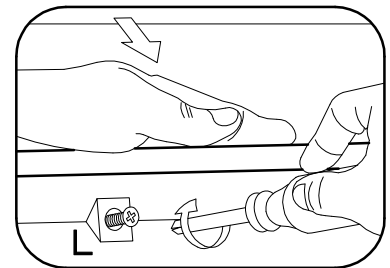
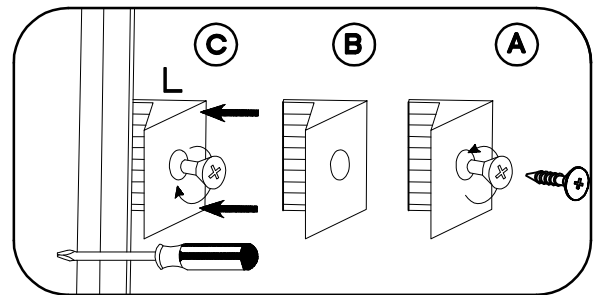
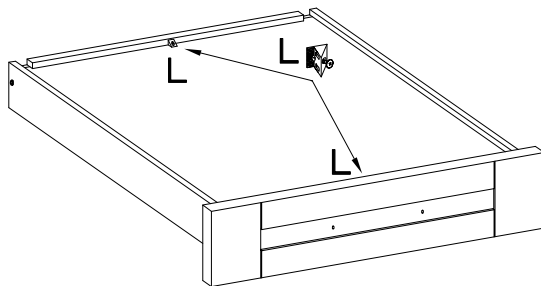
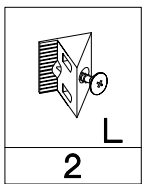
L=20mm  D2 2
--



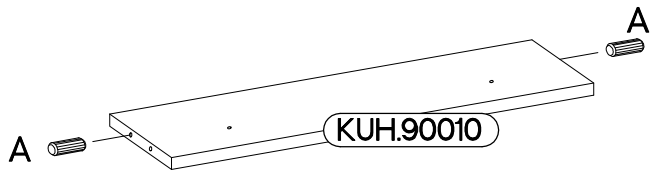
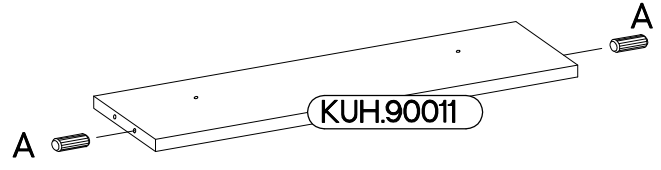
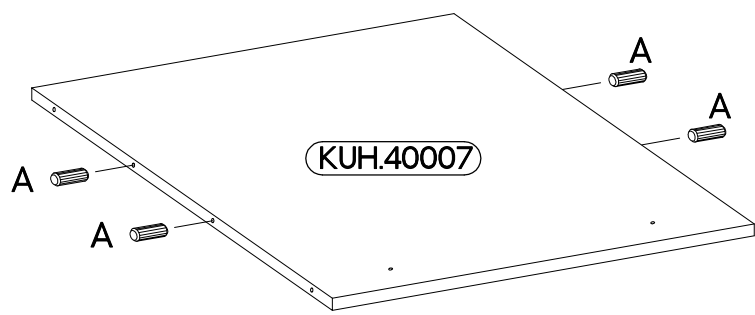
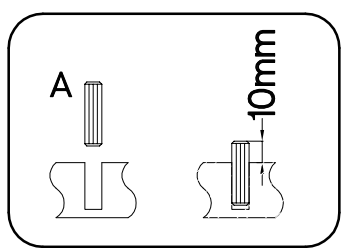
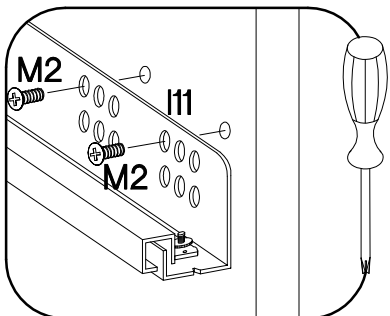
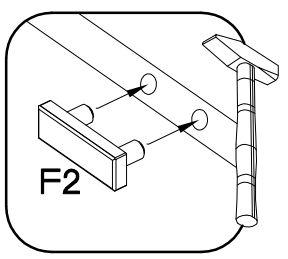
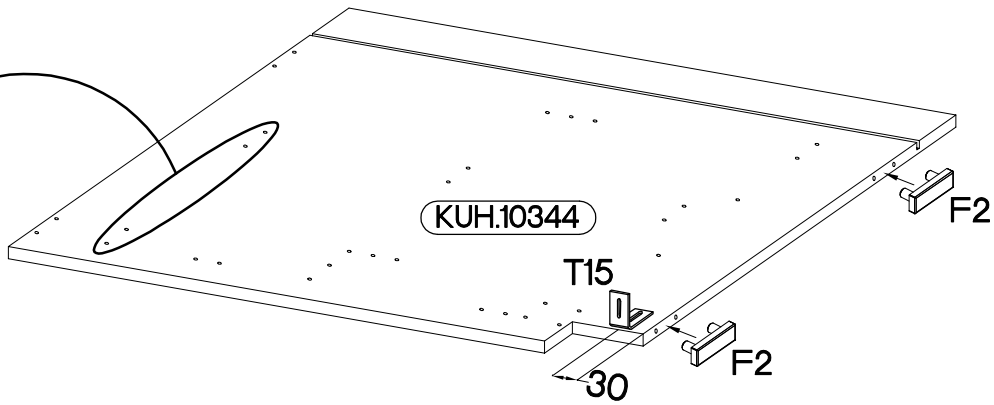
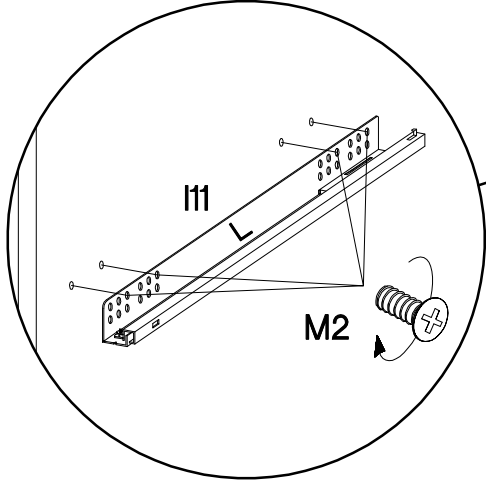
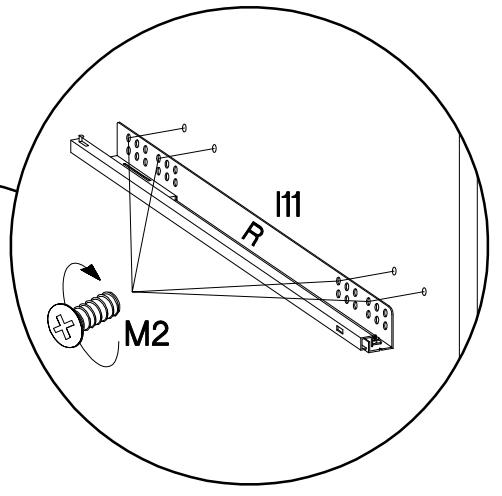
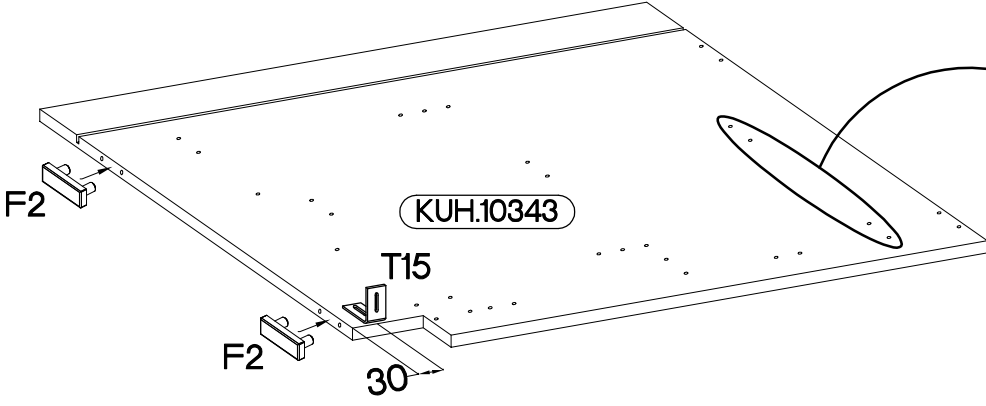
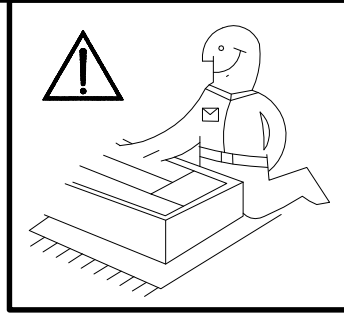
4



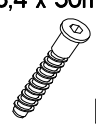
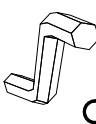
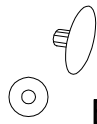
5

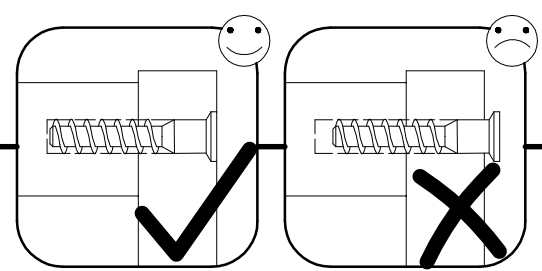
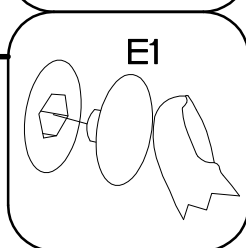
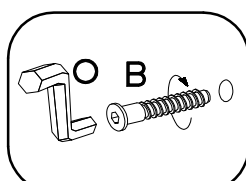
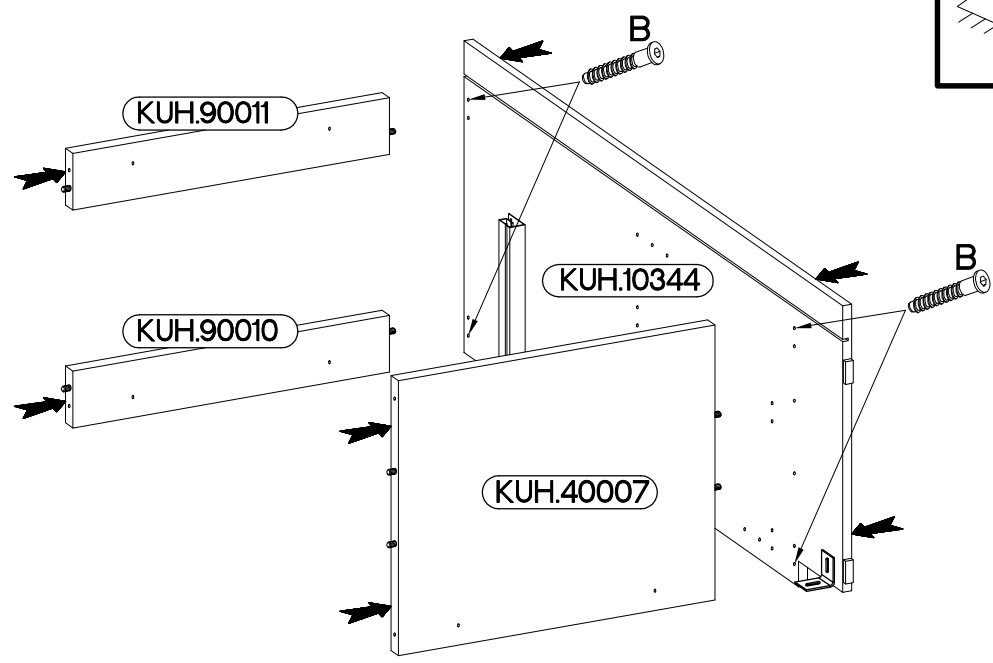
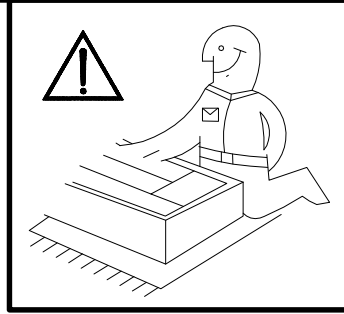


6.5x48x16 F2 4	∅8x30mm A 8	L L=450mm I11 1	+6.3x13mm M2 8	+3.5x13mm P5 2	T15 2
----------------------	-------------------	--------------------------	----------------------	----------------------	----------

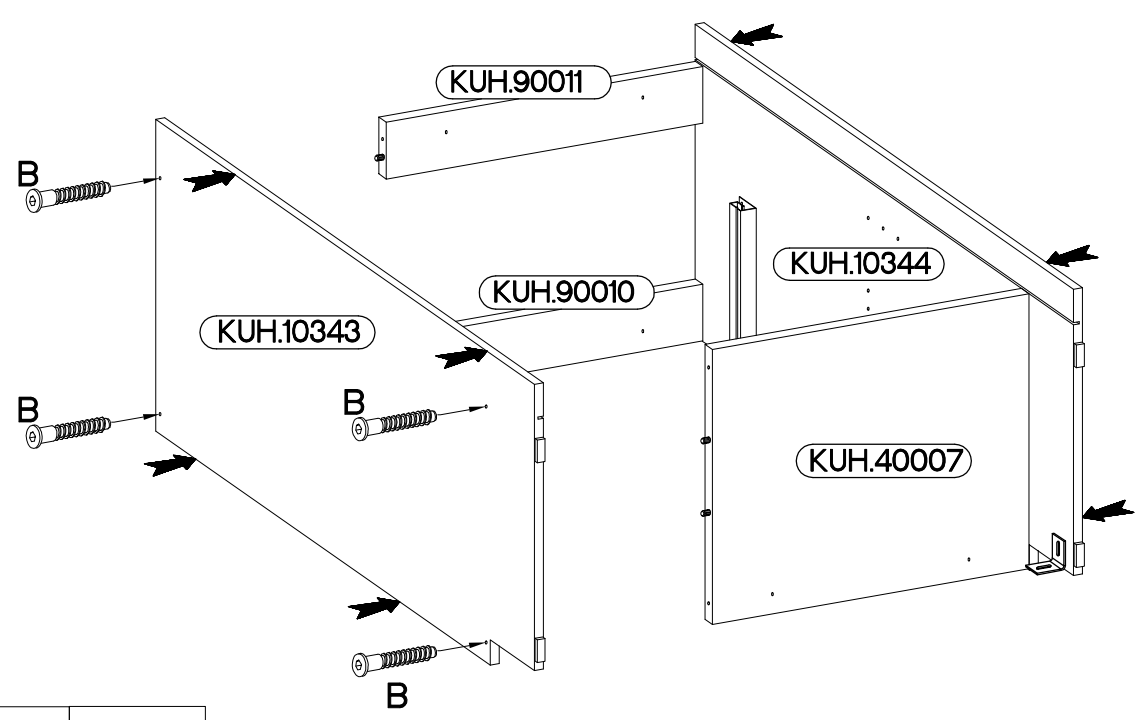


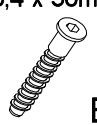

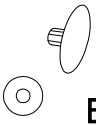
7

6,4 x 50mm		
		
<b>B</b>	<b>O</b>	<b>E1</b>
4	1	4

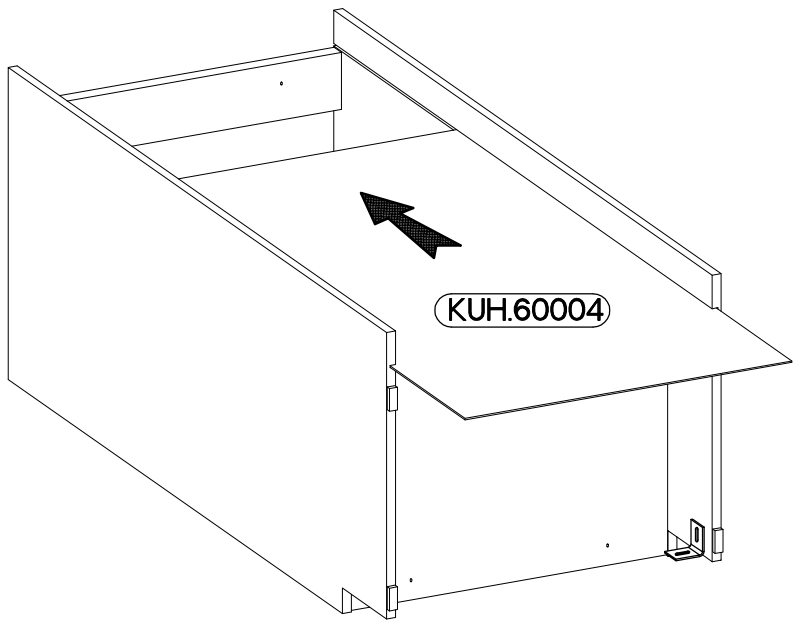
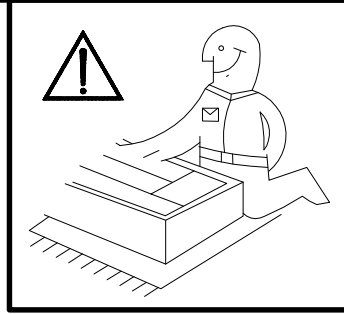


8

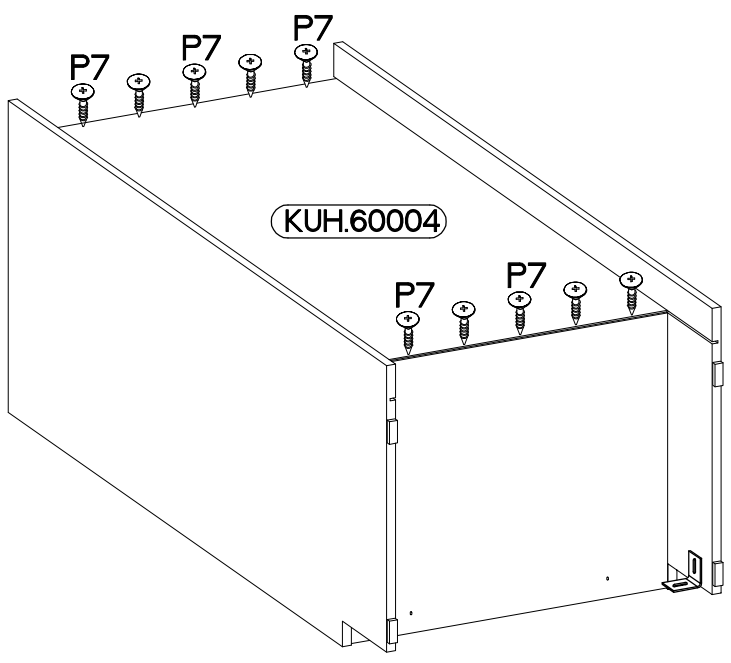
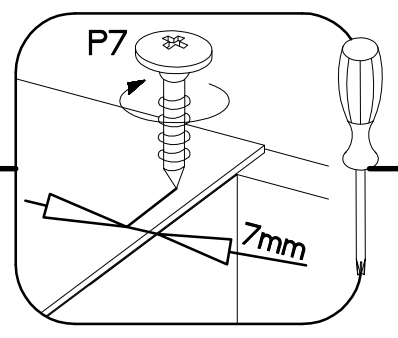
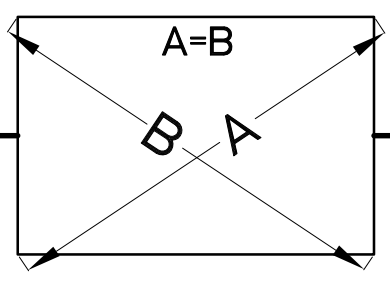
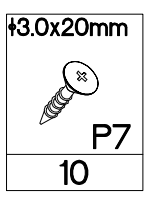



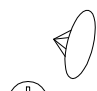


6,4 x 50mm		
		
<b>B</b>	<b>O</b>	<b>E1</b>
4	1	4

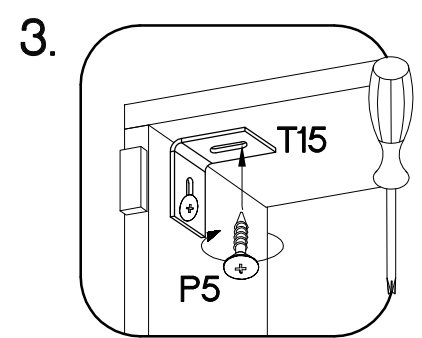
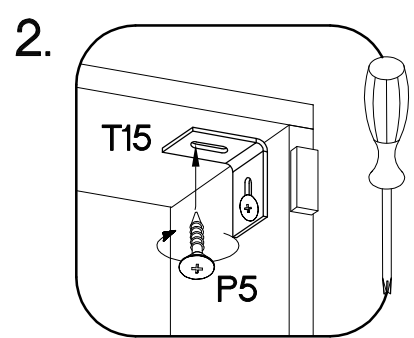
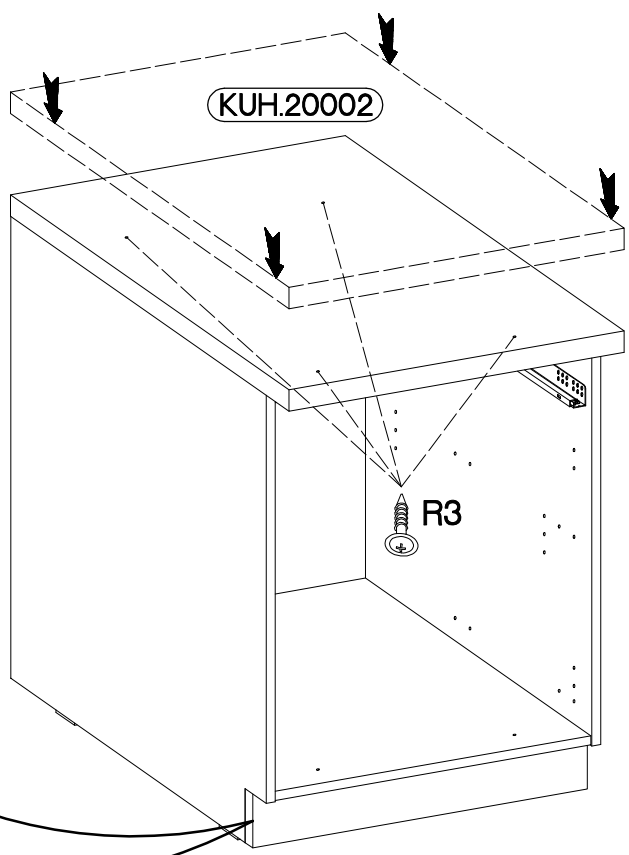
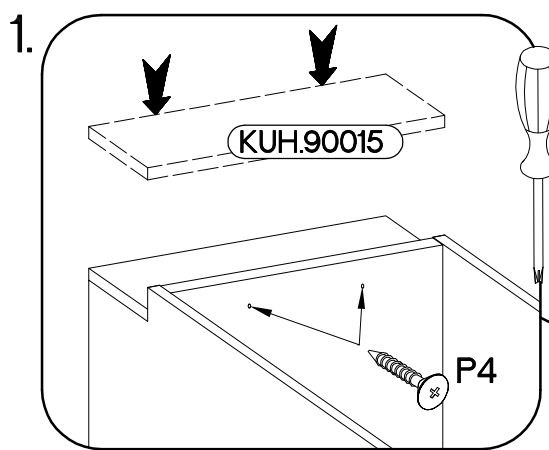
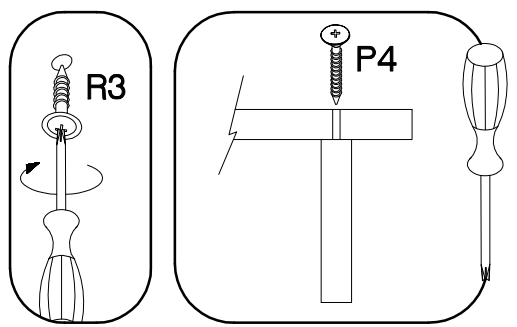
9




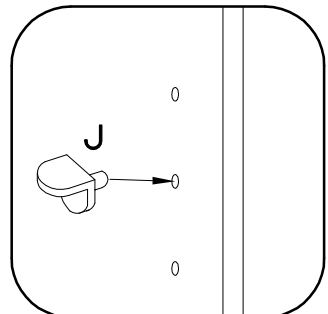
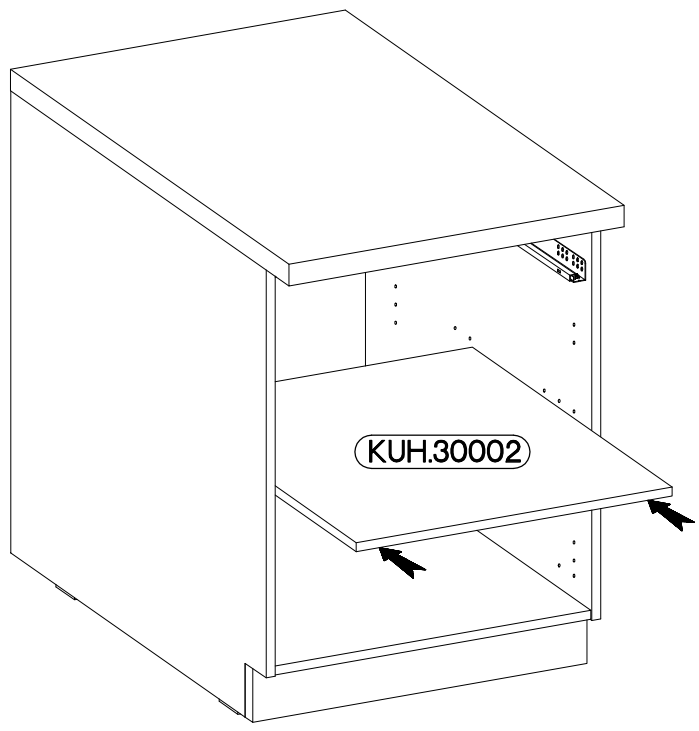
10



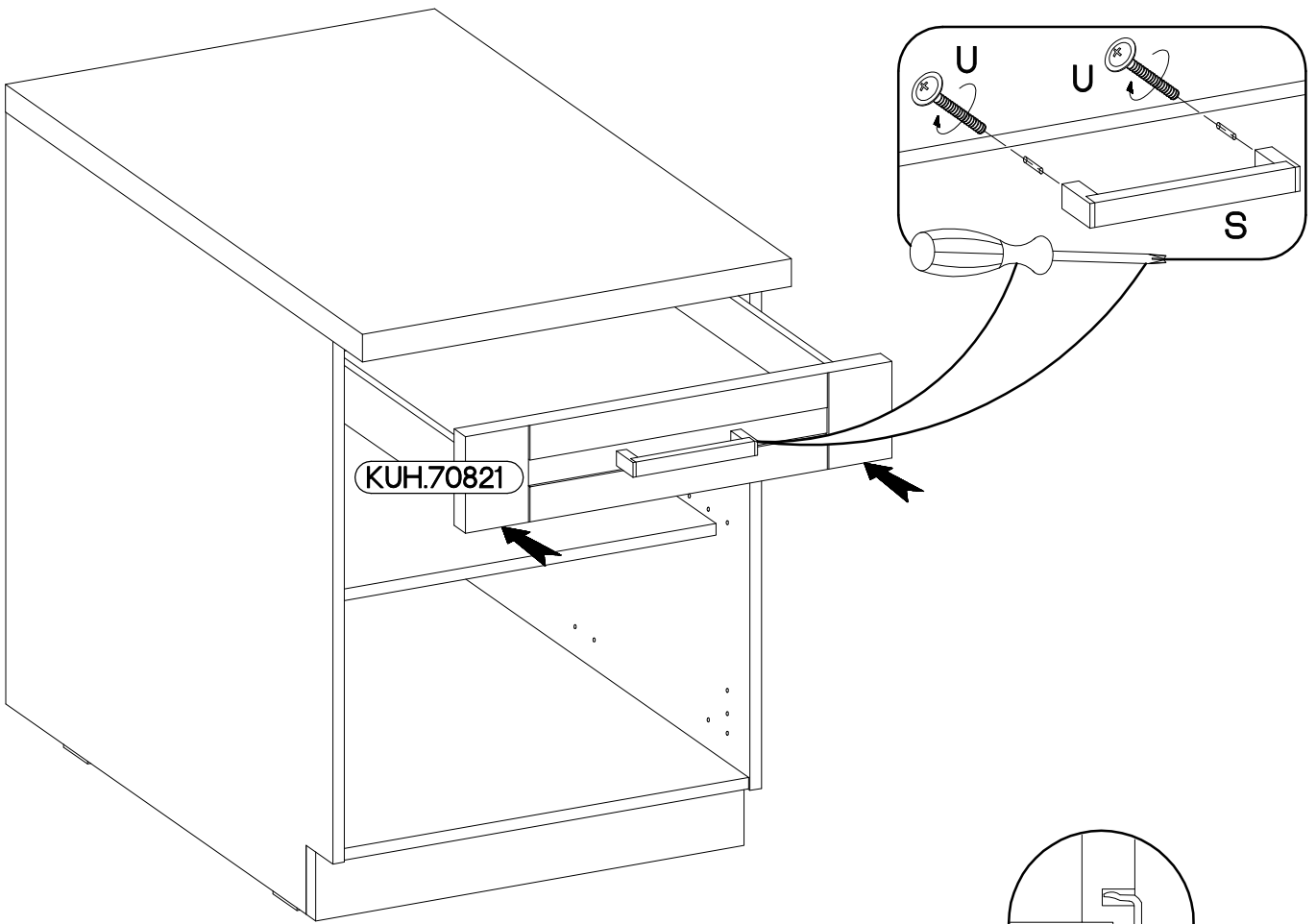
↑4.0x45mm  P4 2	 E9 2	↑4.0x35mm  R3 4	↑3.5x13mm  P5 2
--	---	--	--



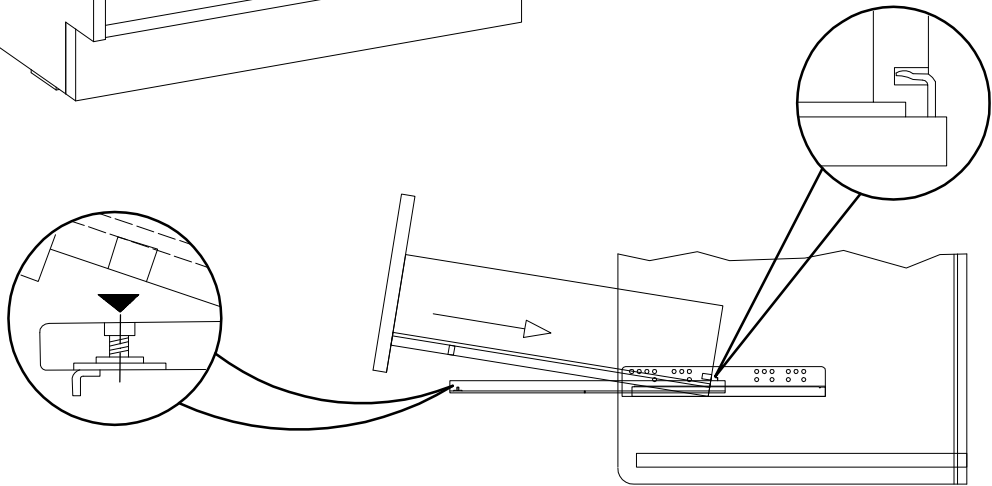
↑5/19mm  J 4
--



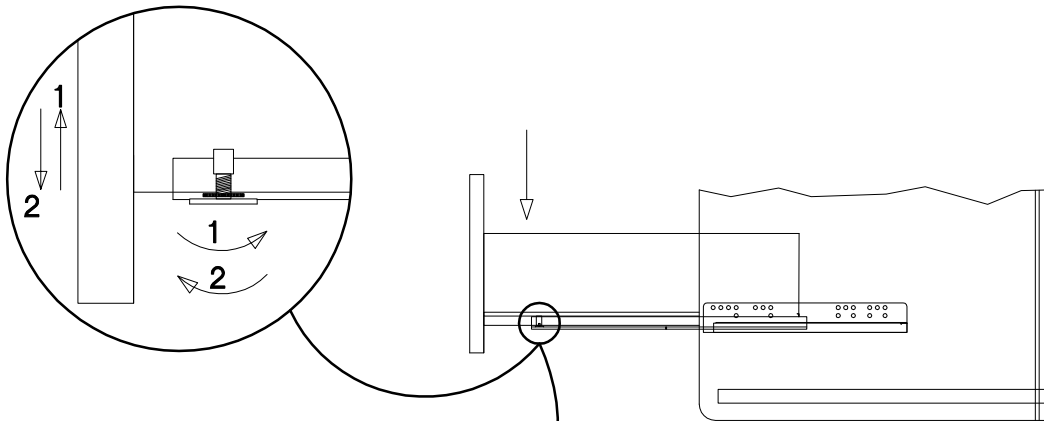




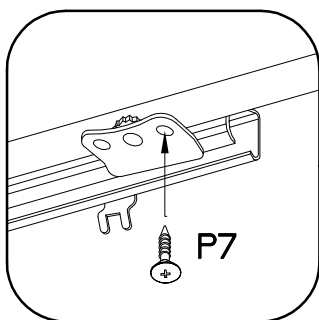
1.






2.

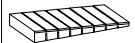


3.



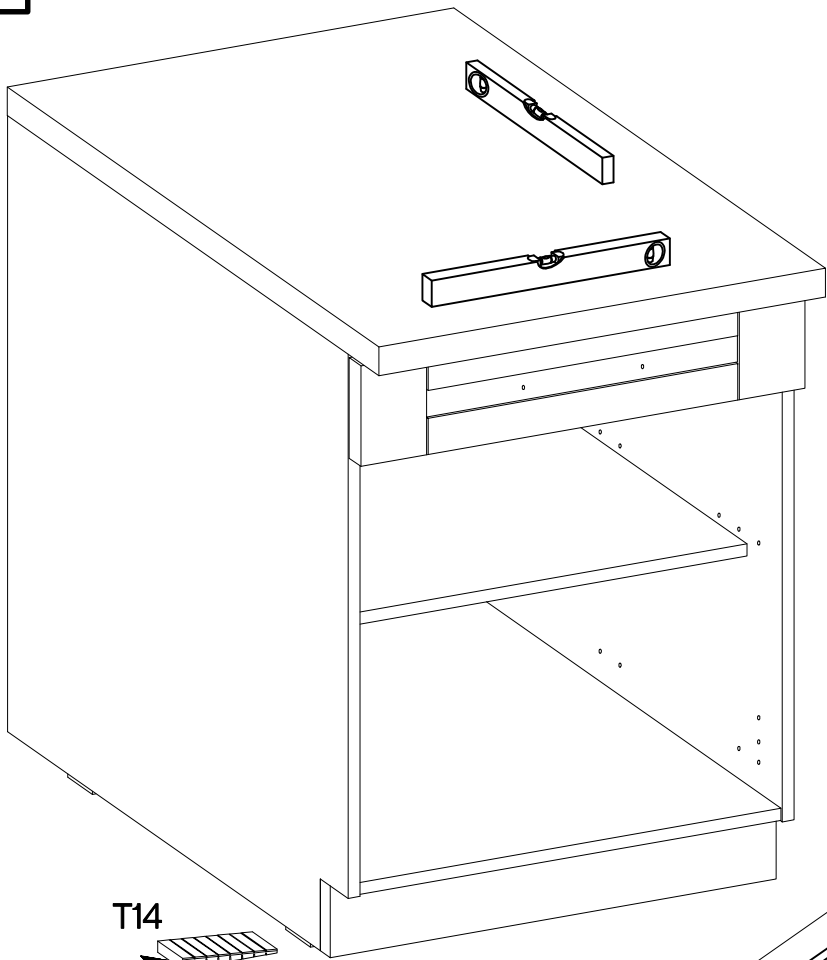
M4x22mm		∅3.0x20mm
		
U	S	P7
2	1	2

8x20x100mm

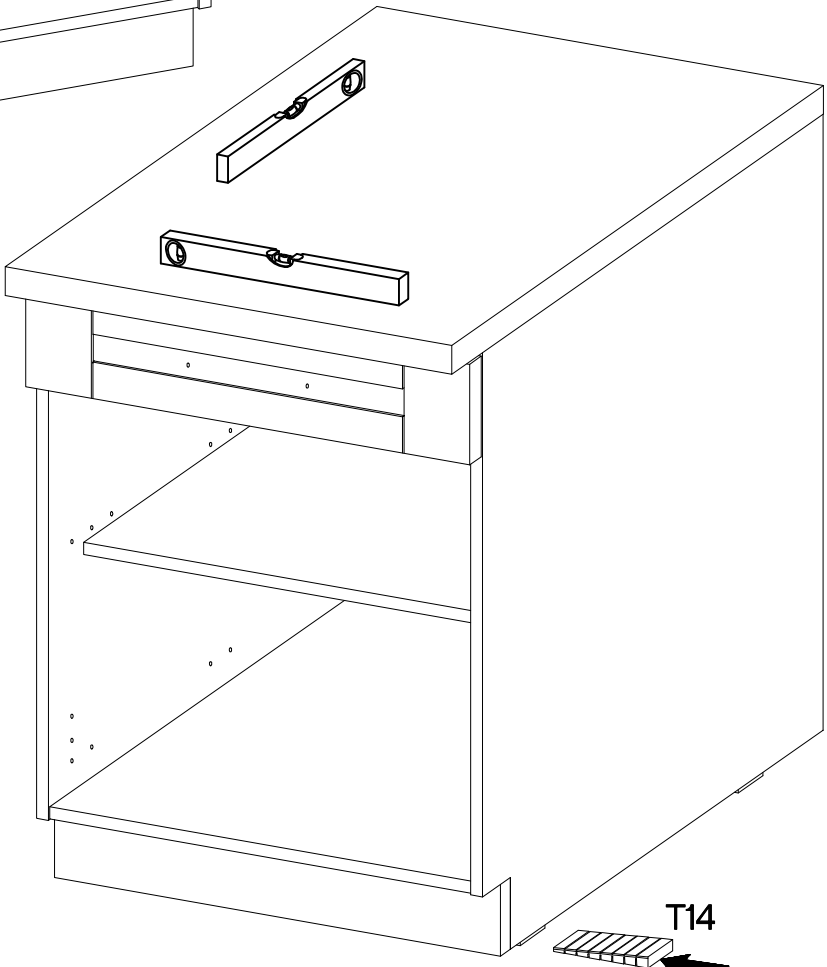
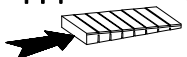


T14

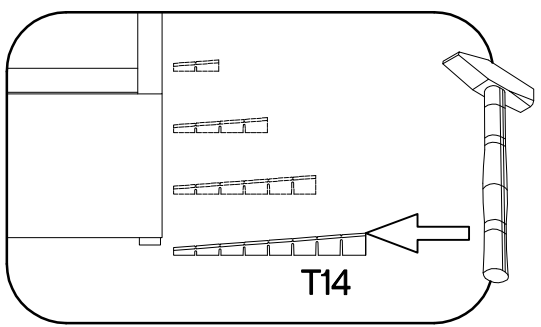
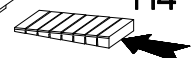
2



T14





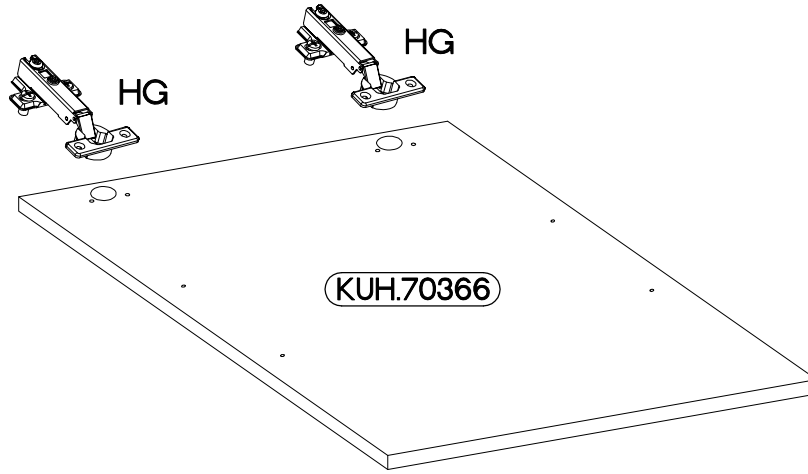
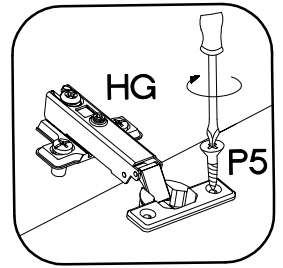
T14



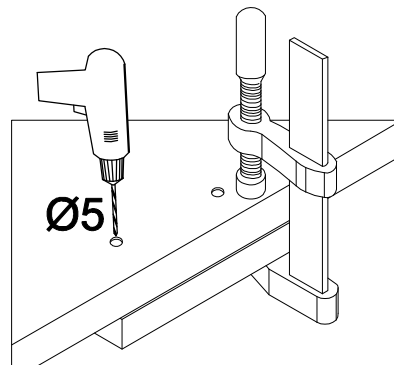
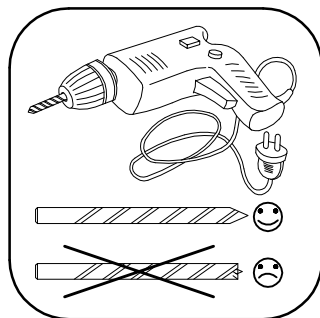
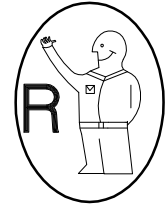
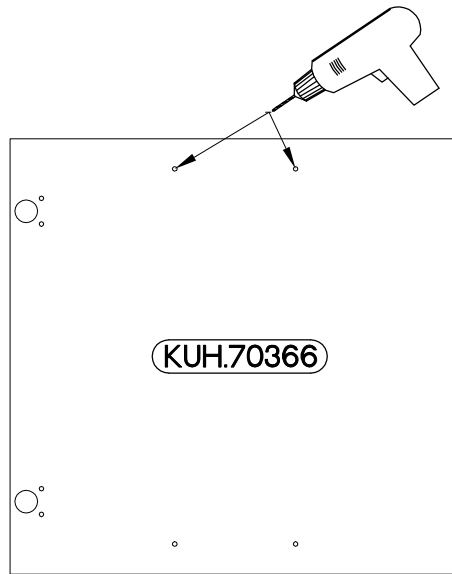
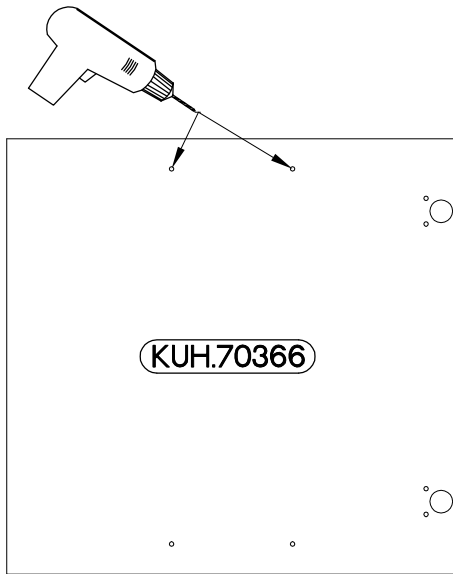
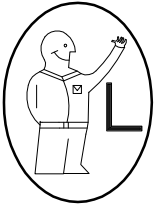
T14



# 15

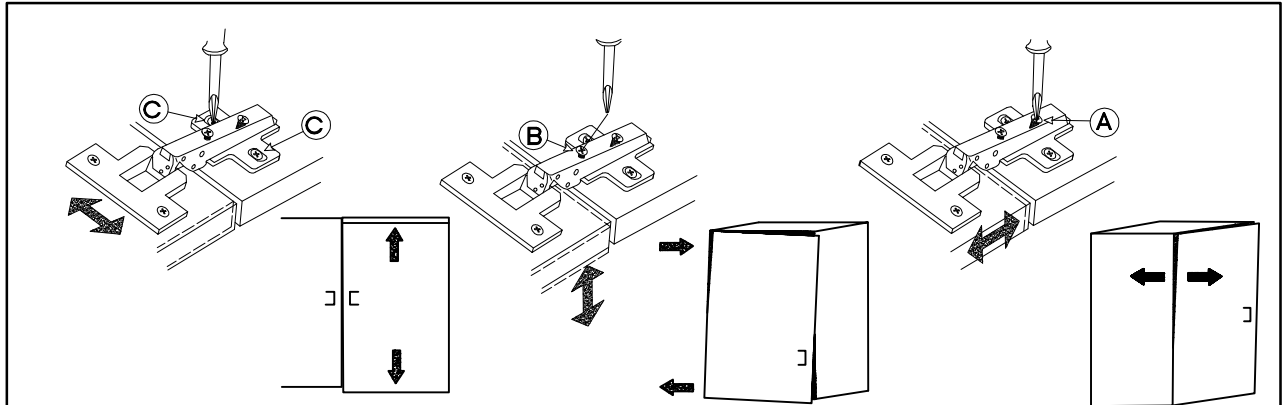
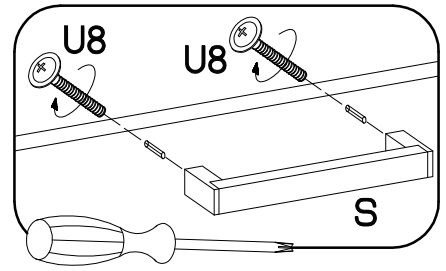
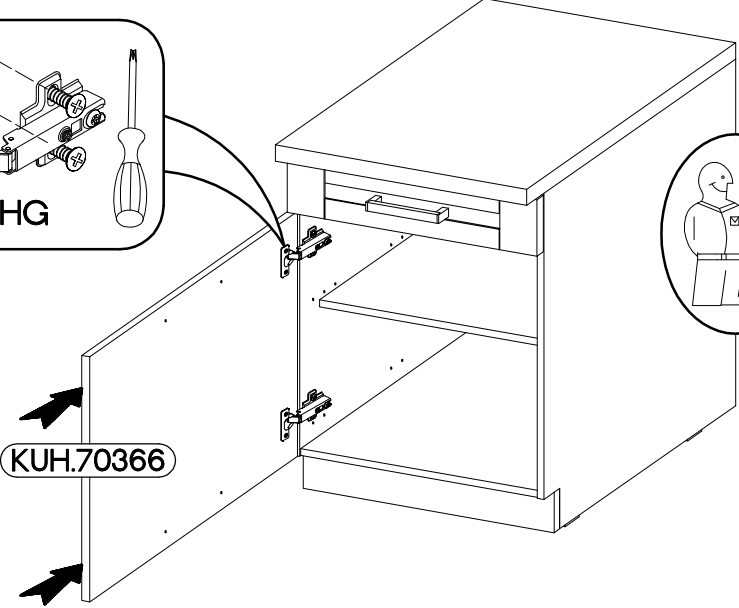
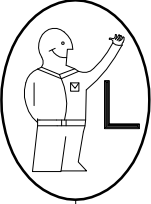
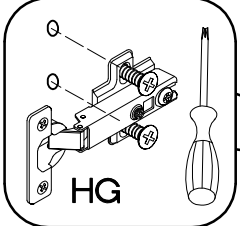
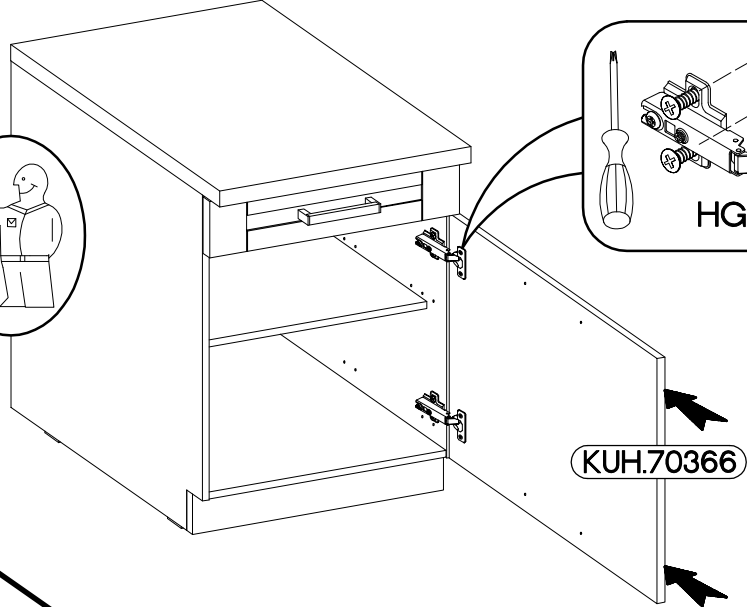
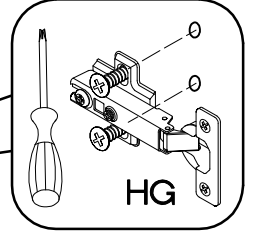
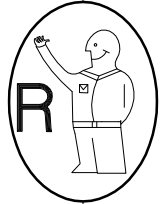
 HG 2	 P5 4
---	---

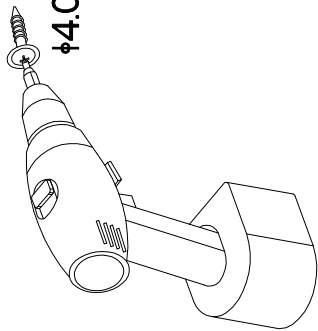
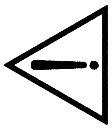
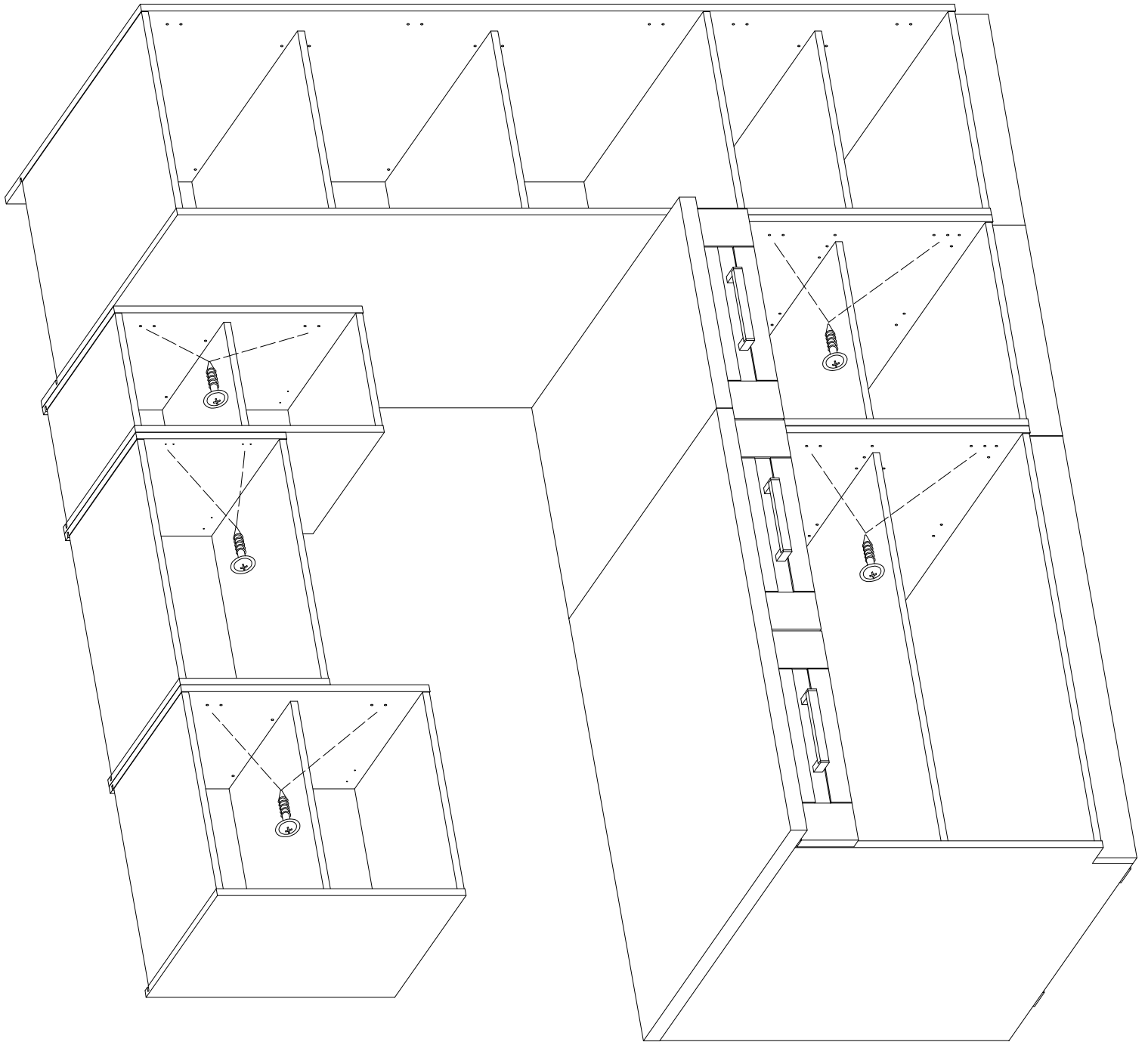


# 16

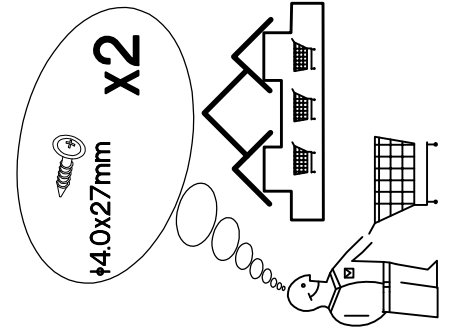


M4x27mm	
	
U8	S
2	1





4.0x27mm



X2

4.0x27mm

