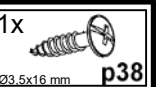
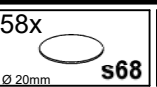
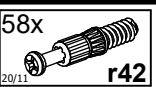
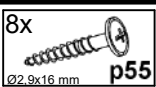
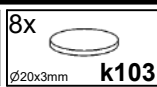
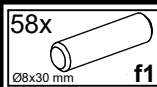
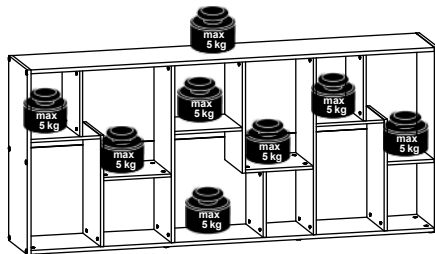
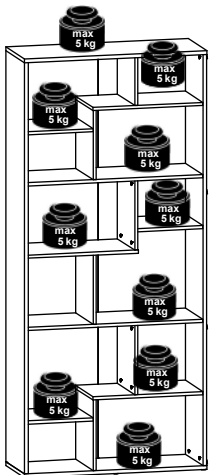
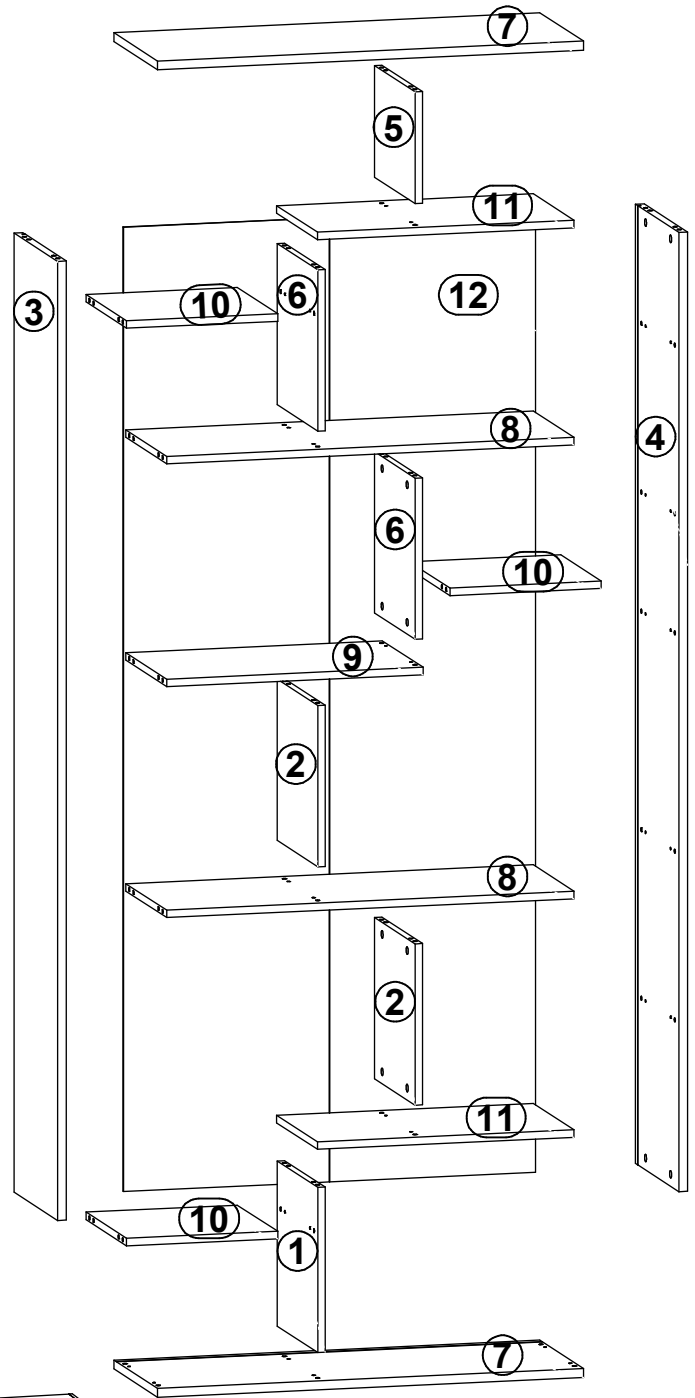
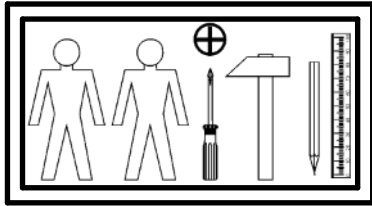
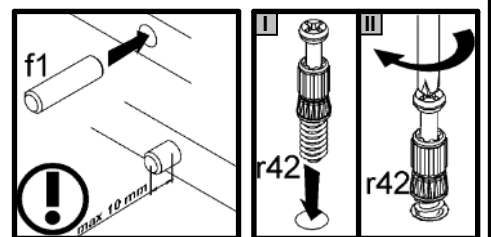
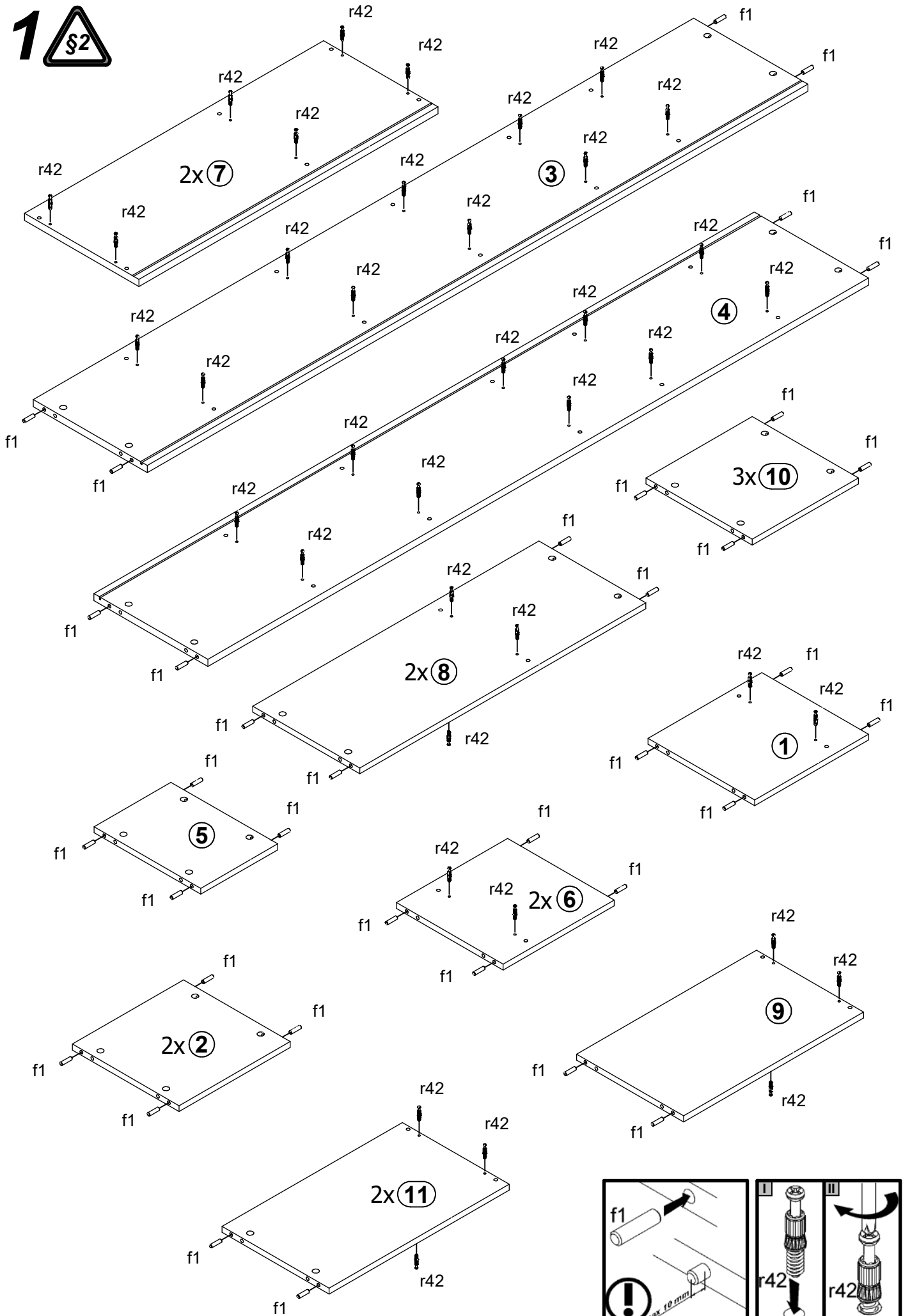


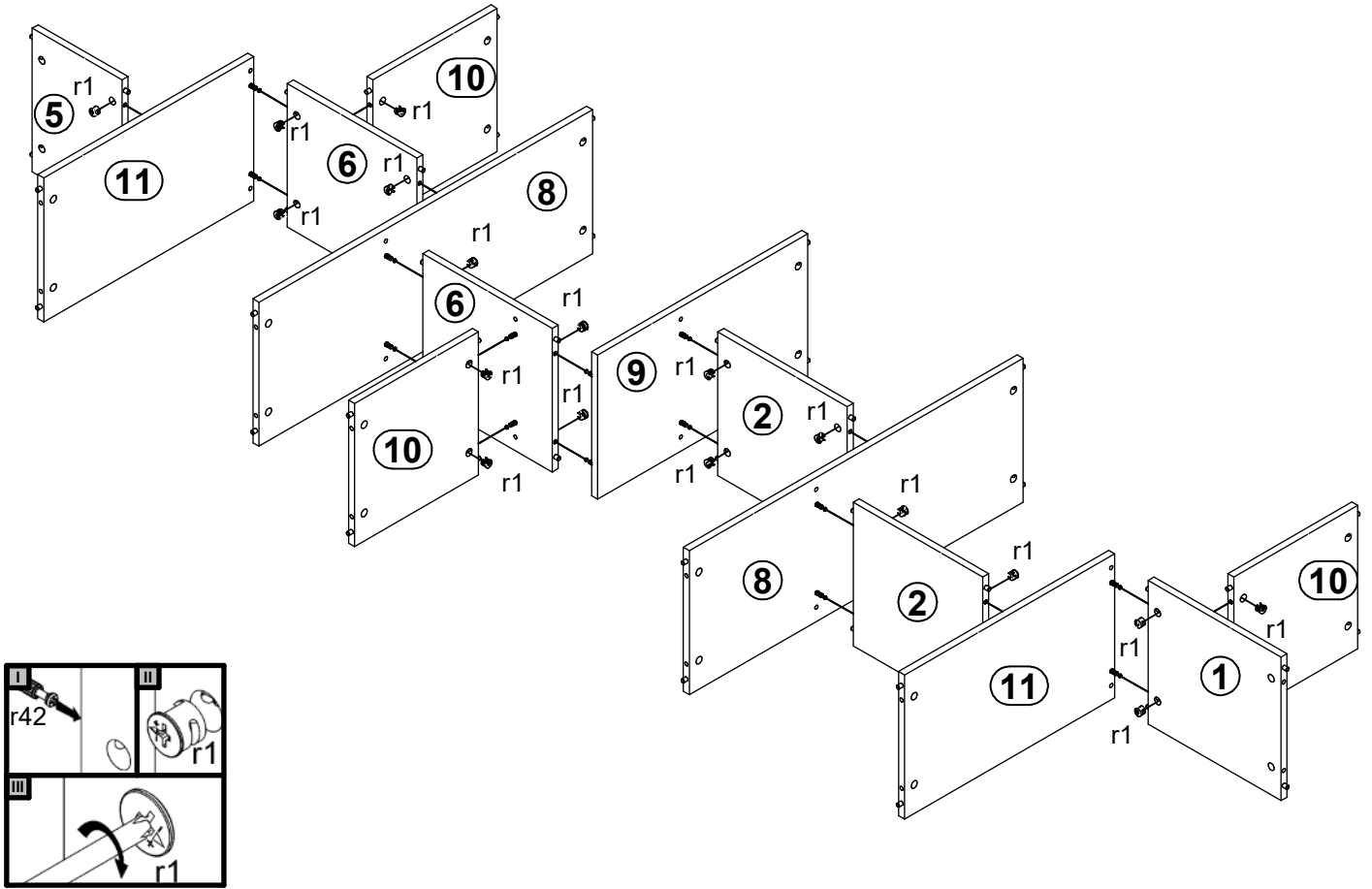
A	B	C	D
1	S442-1006	333	312 1/2
2	S442-1007	325	312 1/2
3	S442-1010	1933	334 1/2
4	S442-1011	1933	334 1/2
5	S442-1012	225	312 1/2
6	S442-1013	325	312 1/2
7	S442-2001	875	335 2/2
8	S442-3001	837	313 2/2
9	S442-3002	527	313 2/2
10	S442-3003	311	311 2/2
11	S442-3004	527	313 2/2
12	S442-9304	1943	847 1/2



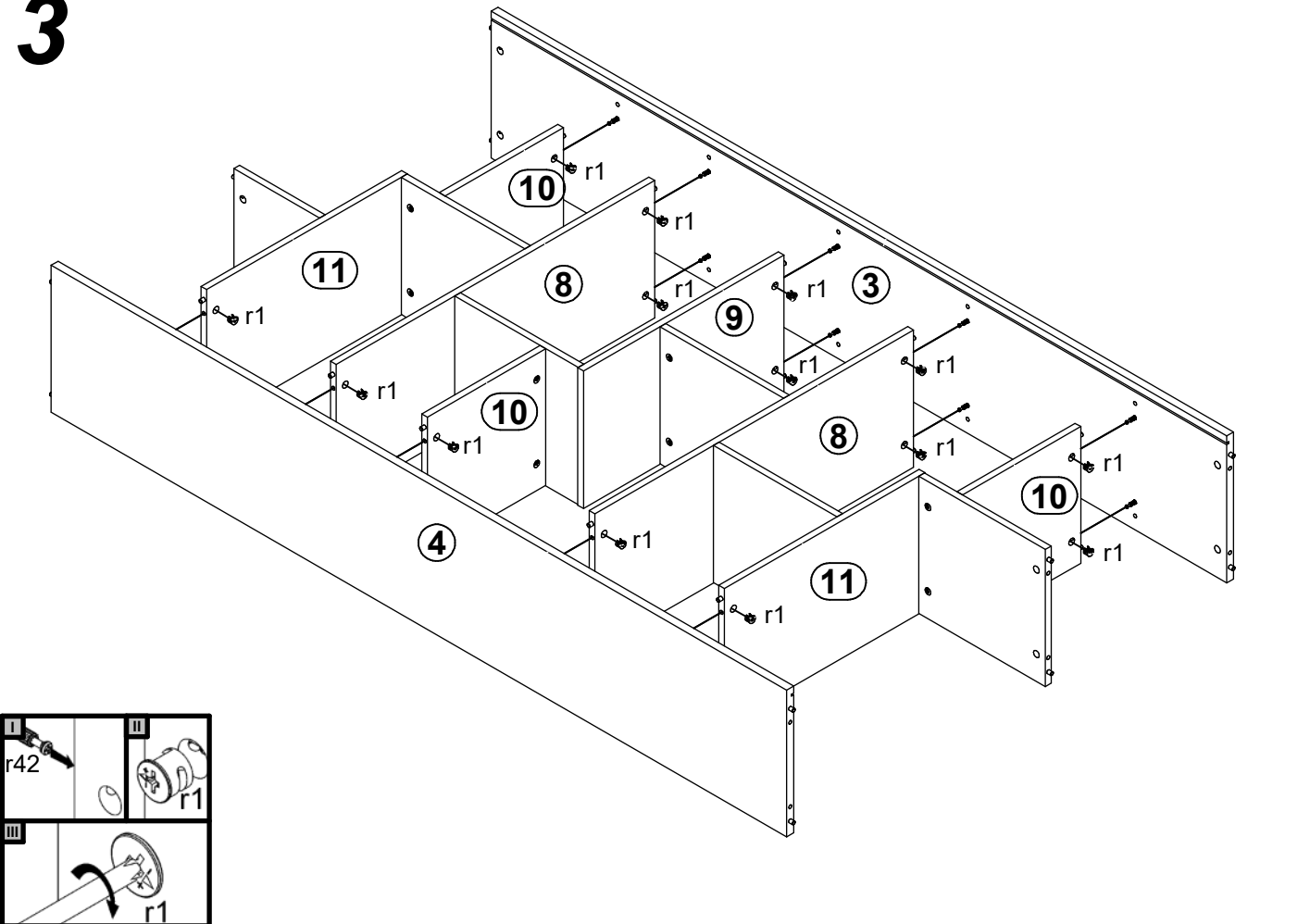
1 



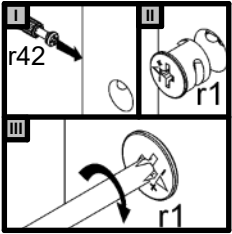
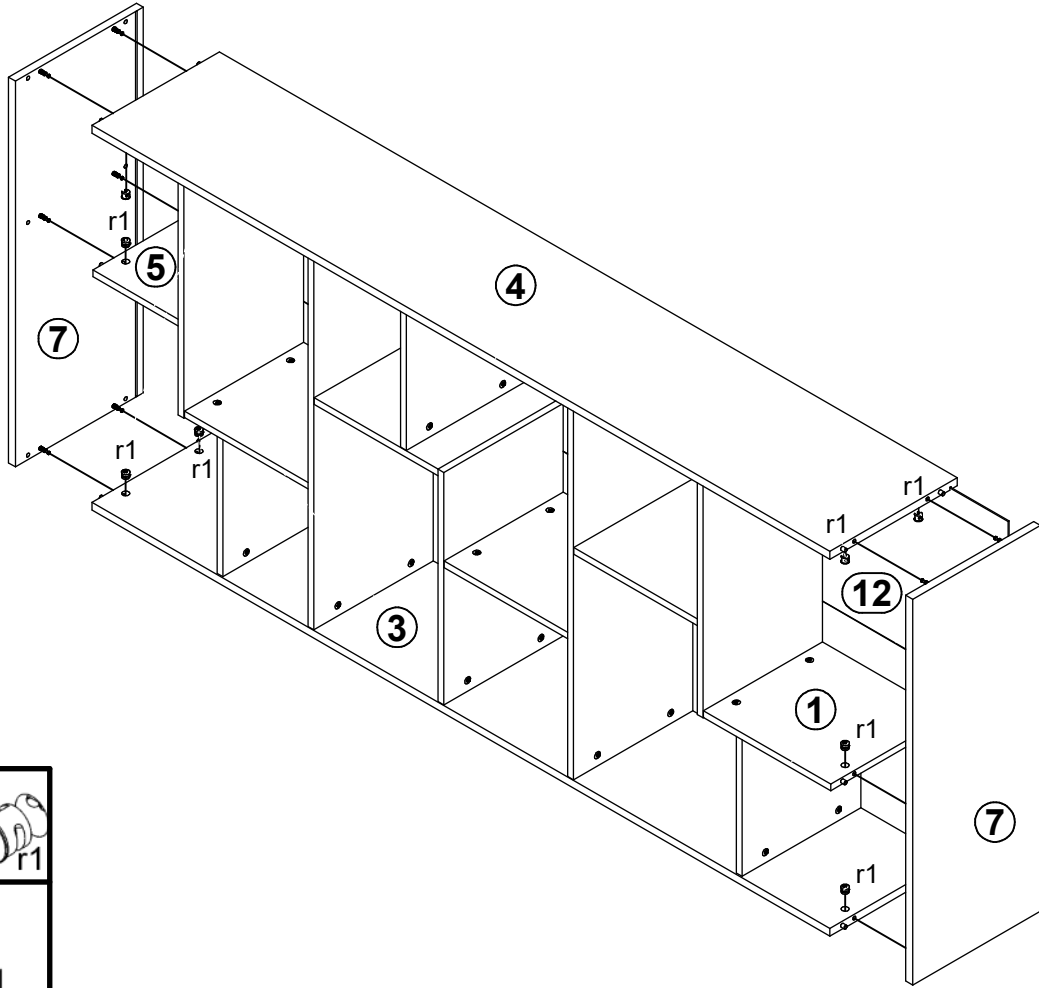
# 2



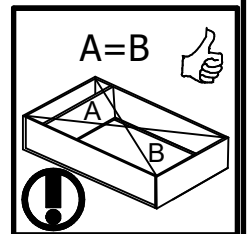
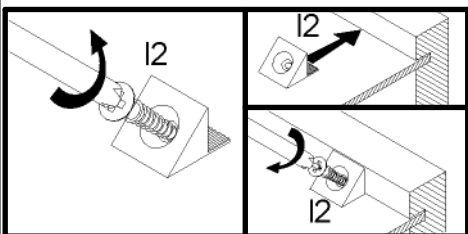
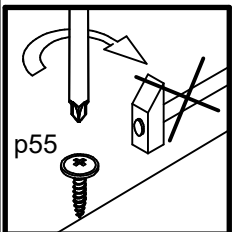
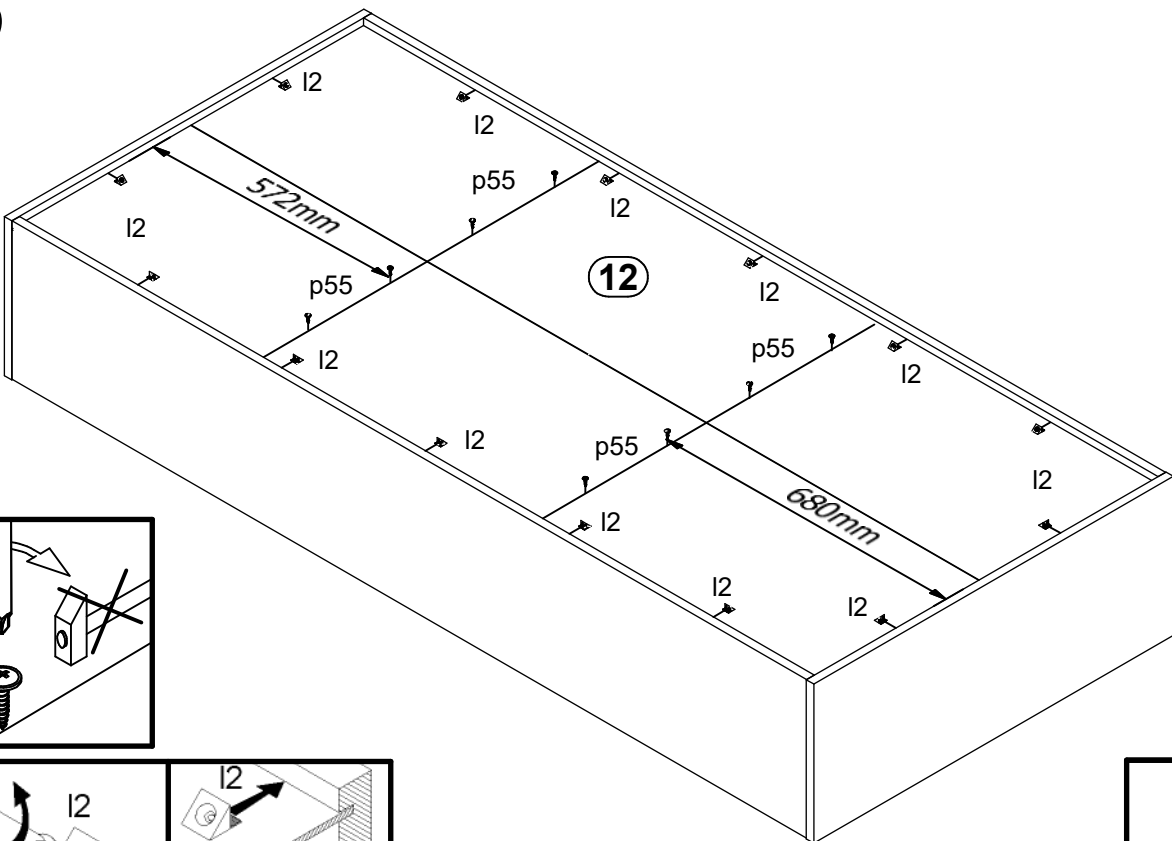
# 3



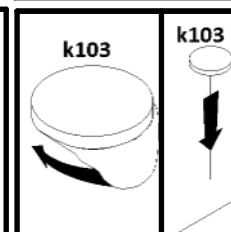
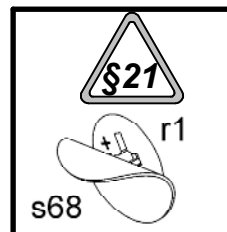
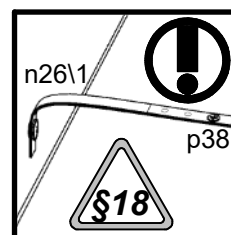
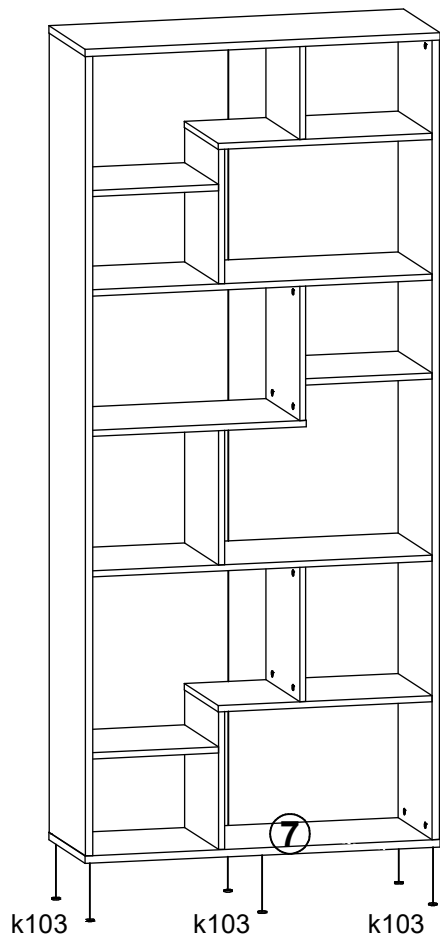
# 4



# 5



# 6A



# 6B

