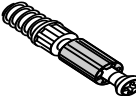


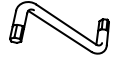
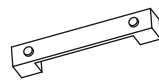




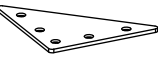




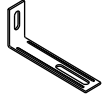



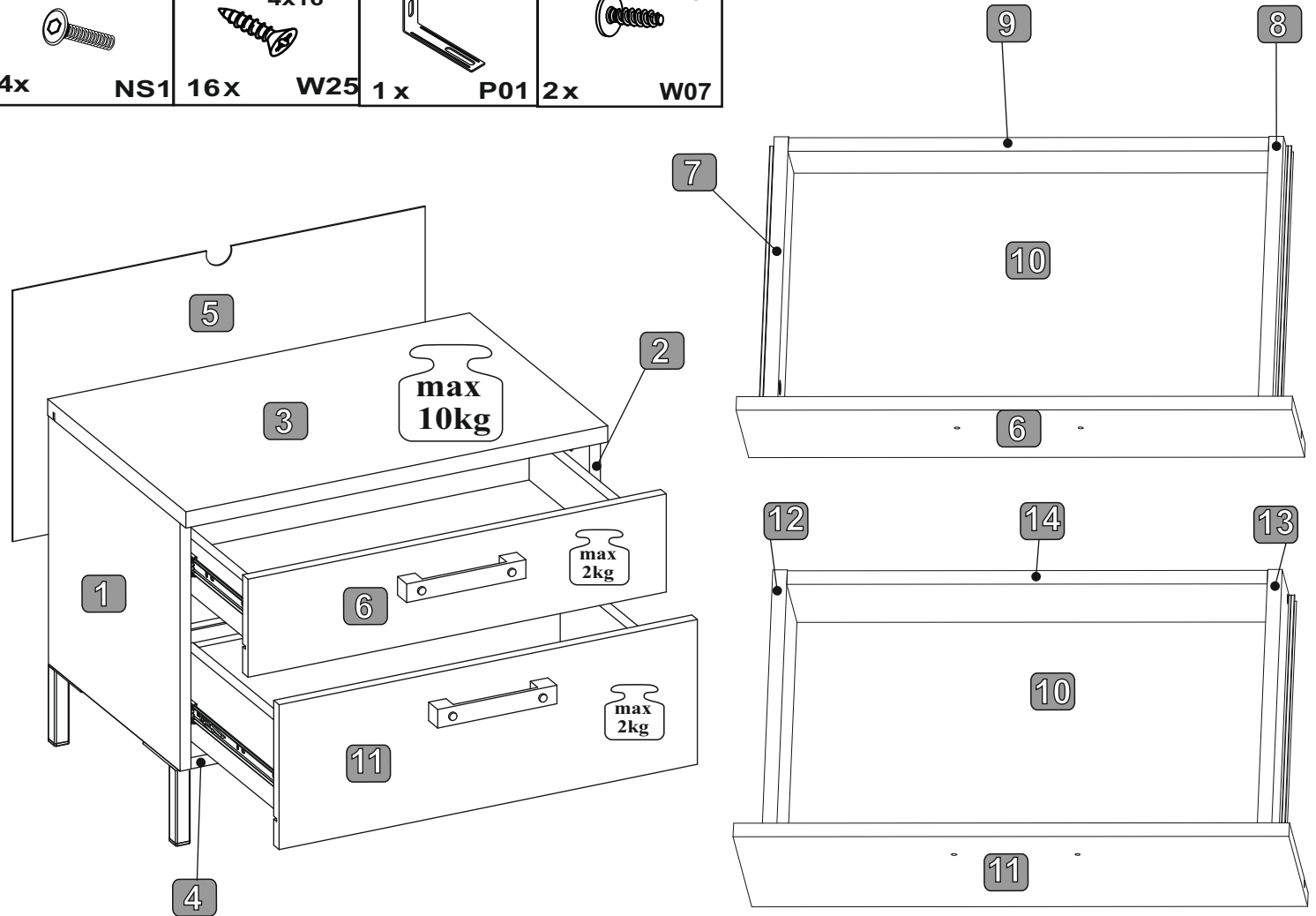
 12x T02	 12x T01	 20x D01	 4x W16	 1x K02	 2x U34	 4x W05	 4x P06	 24x W02	 4x R01
 4x N05	 4x N06	 4x S10	 4x NS1	 16x W25	 1x P01	 2x W07			
 1x F01	 1x F11								

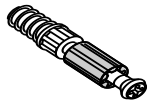

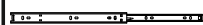
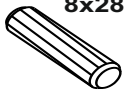
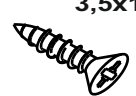

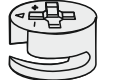
NR	DIM	QTE	COLLI
1	335x362x15	1	1/1
2	335x362x15	1	1/1
3	580x380x22	1	1/1
4	548x361,5x15	1	1/1
5	567x338x2	1	1/1
6	575x132x15	1	1/1
7	300x75x15	1	1/1
8	300x75x15	1	1/1
9	497x75x15	1	1/1
10	297x508x2	2	1/1
11	575x195x15	1	1/1
12	300x120x15	1	1/1
13	300x120x15	1	1/1
14	497x120x15	1	1/1

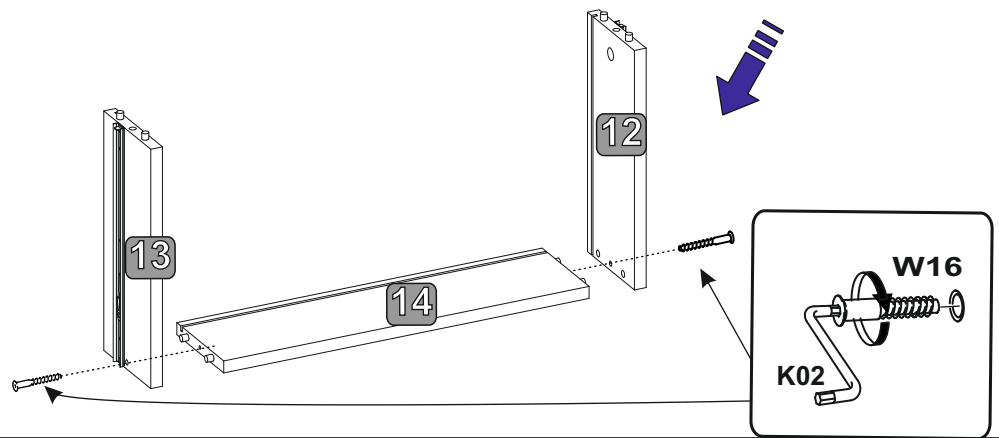
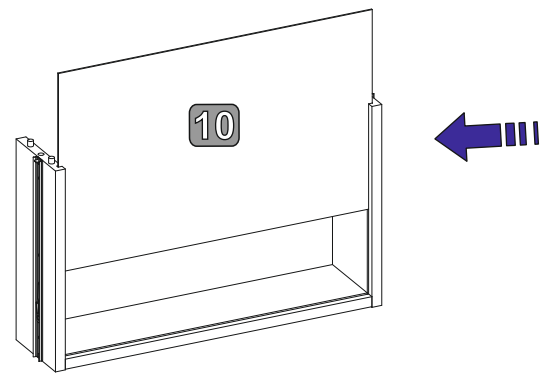
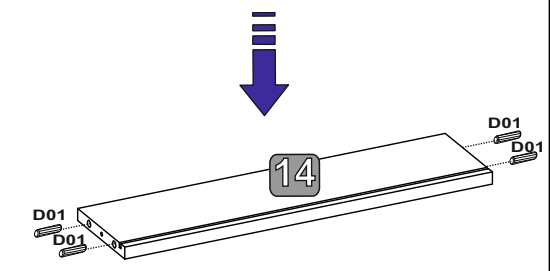
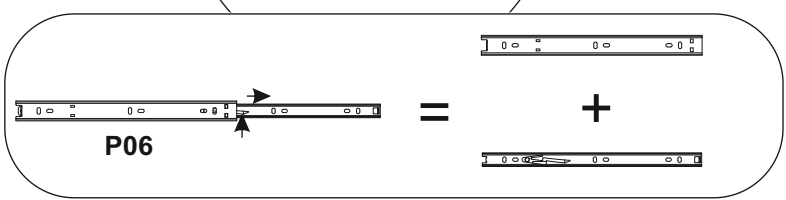
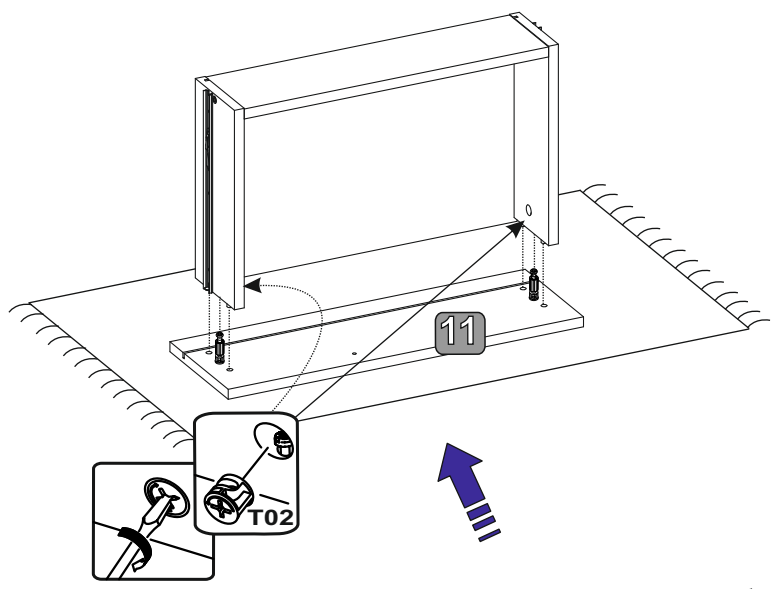
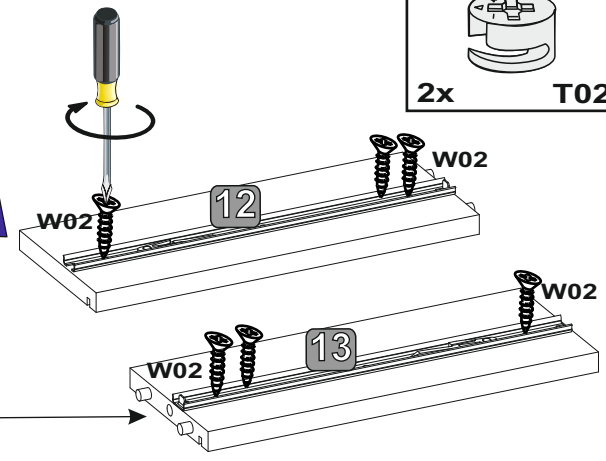
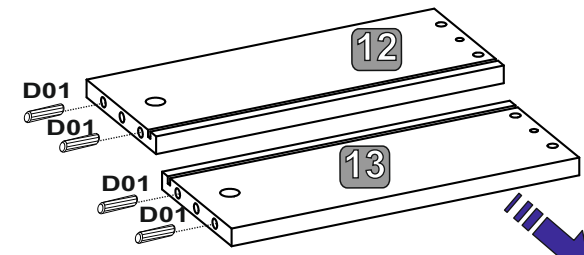
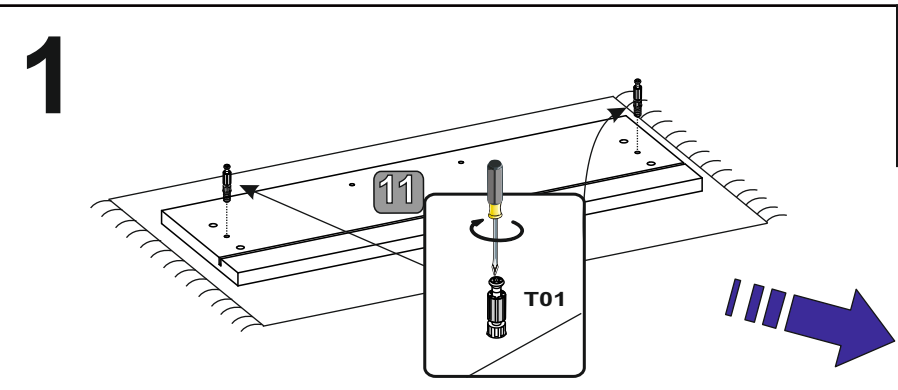


0 10 20 30 40 50 60 70 80 90 100 110 120 130 140 150 160 170 180 190 200

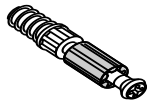

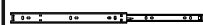
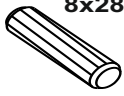


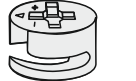


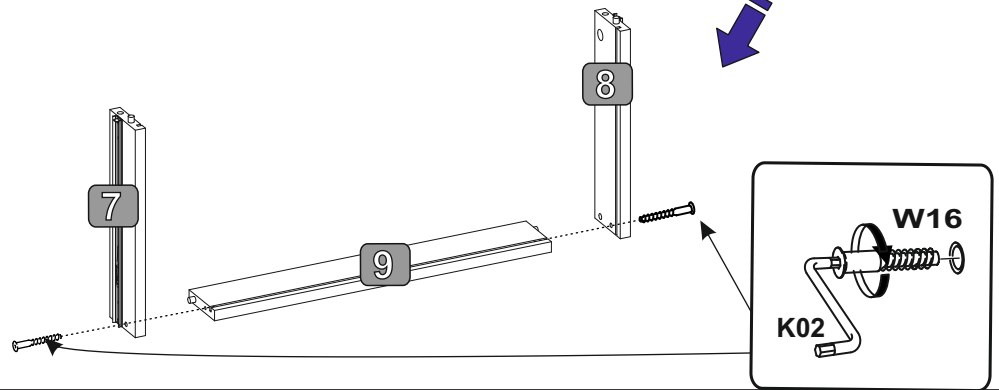
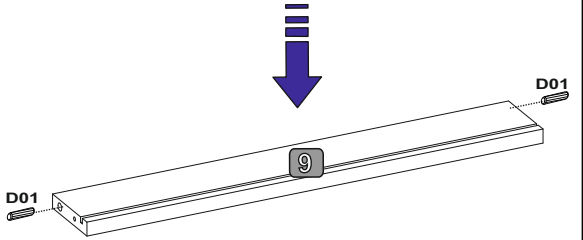
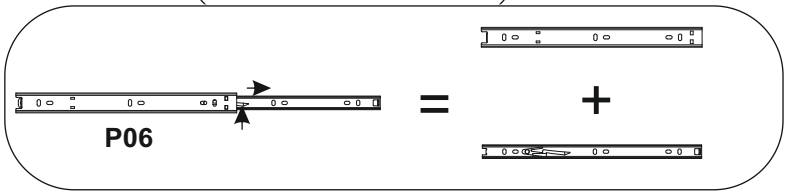
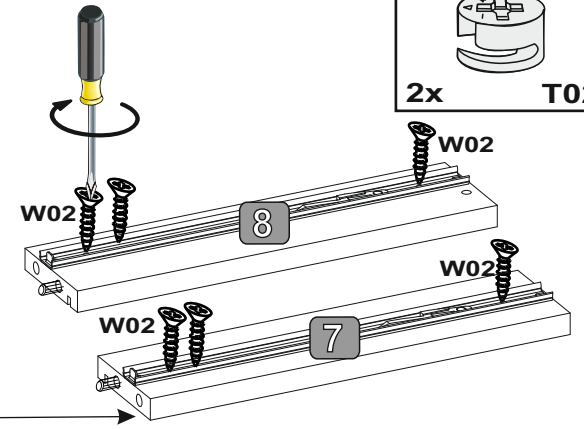
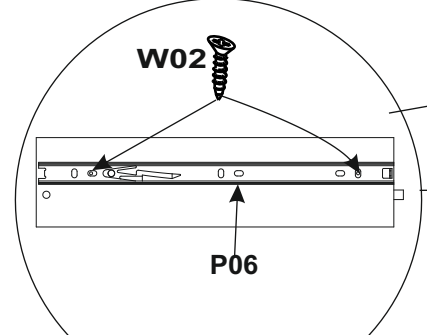
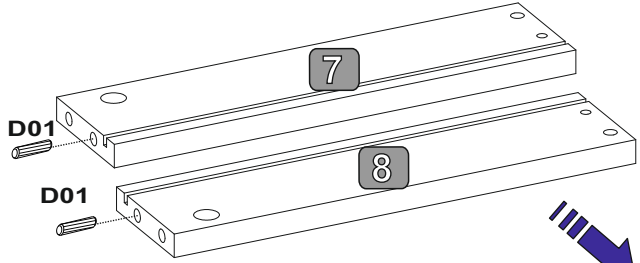
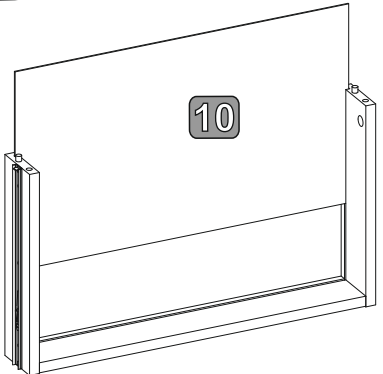
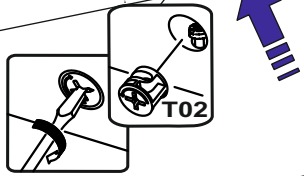
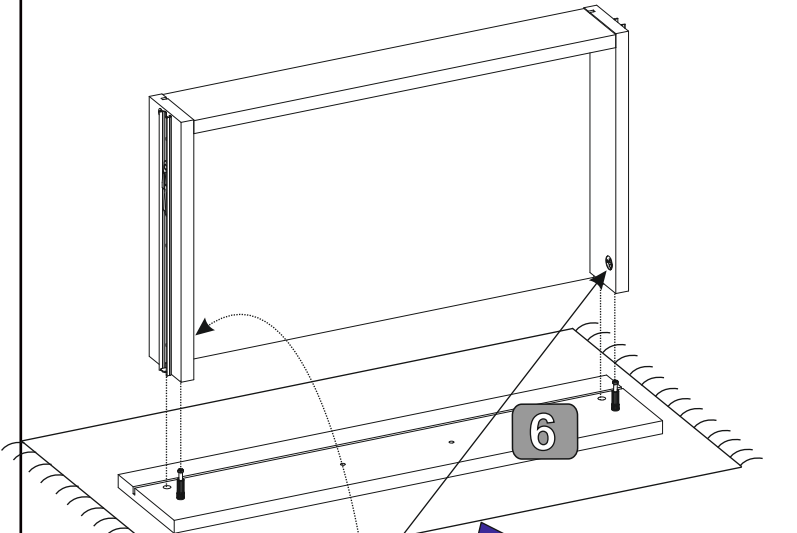
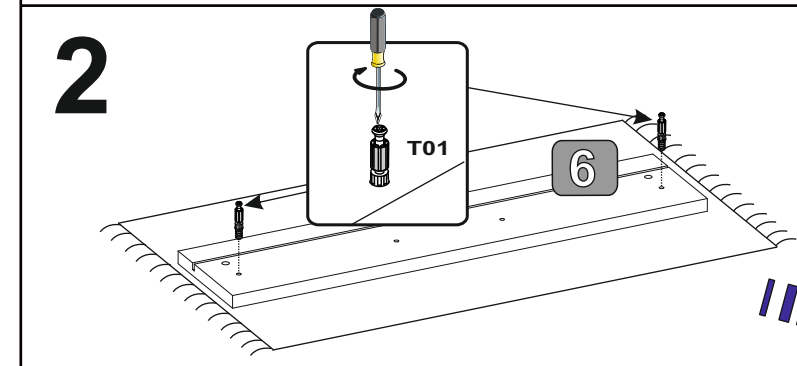
1

2x		T01	1x		K02	2x		P06	8 x		D01	4x		W02	2x		W16	15x12		T02
----	--	-----	----	---	-----	----	---	-----	-----	---	-----	----	---	-----	----	---	-----	-------	---	-----

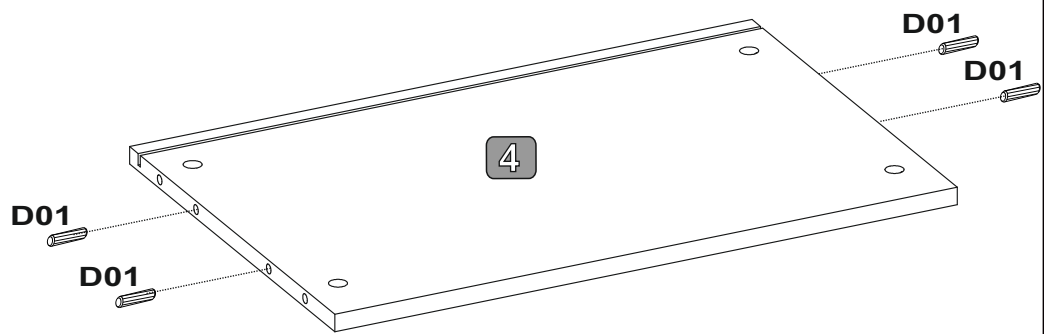
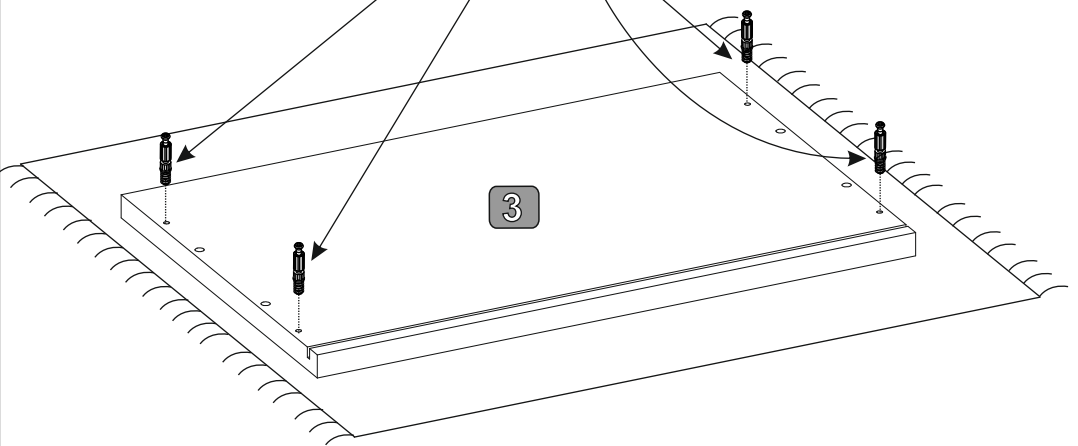
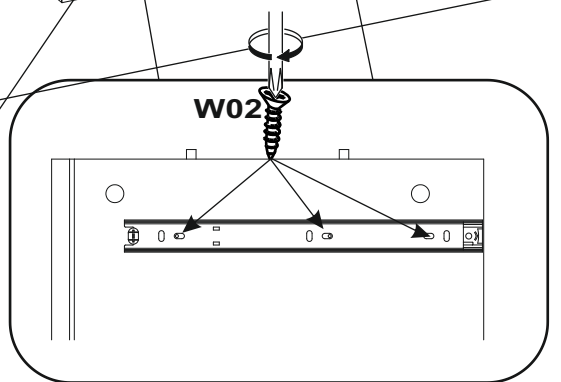
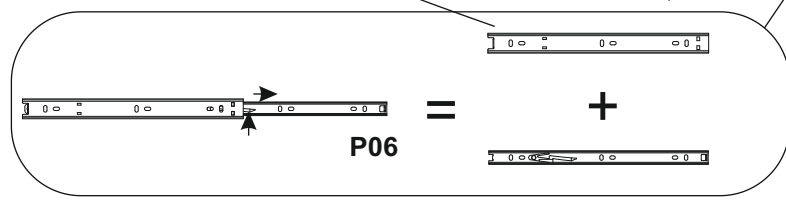
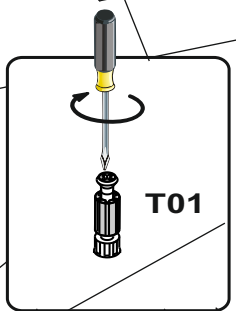
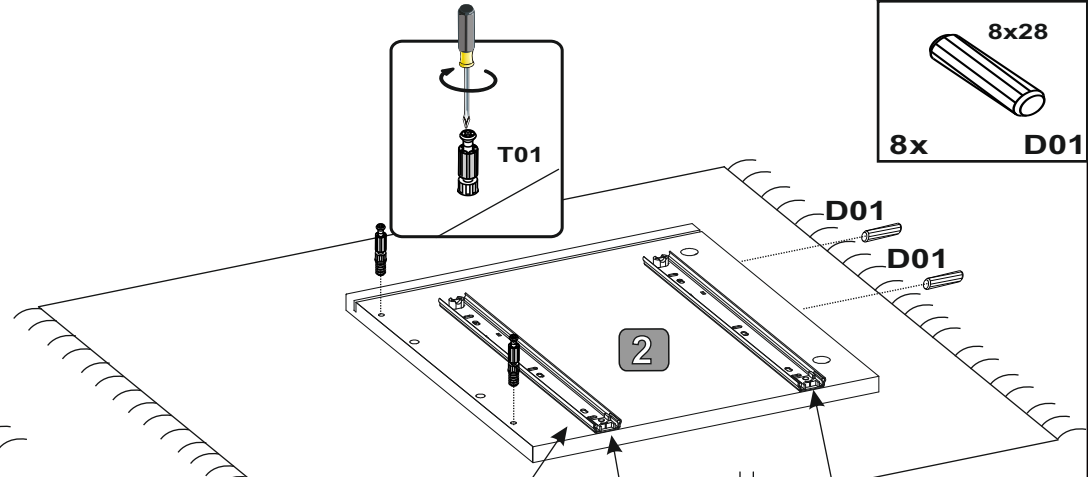
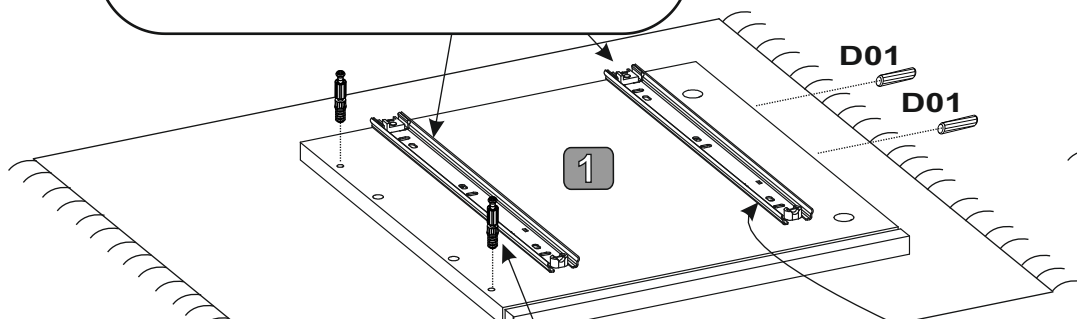
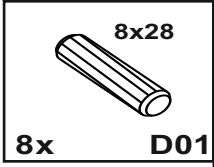
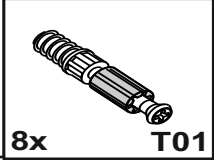
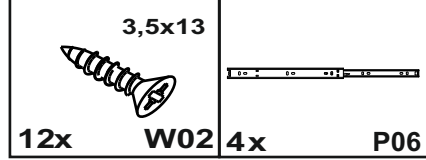
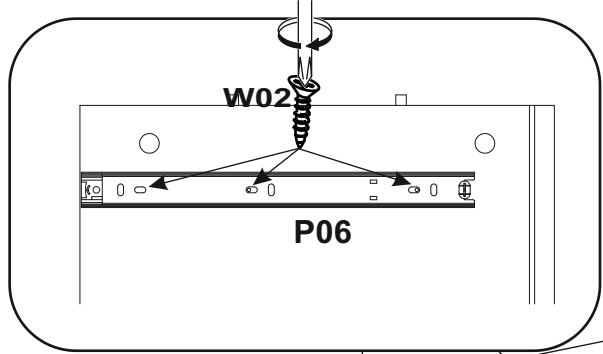


2

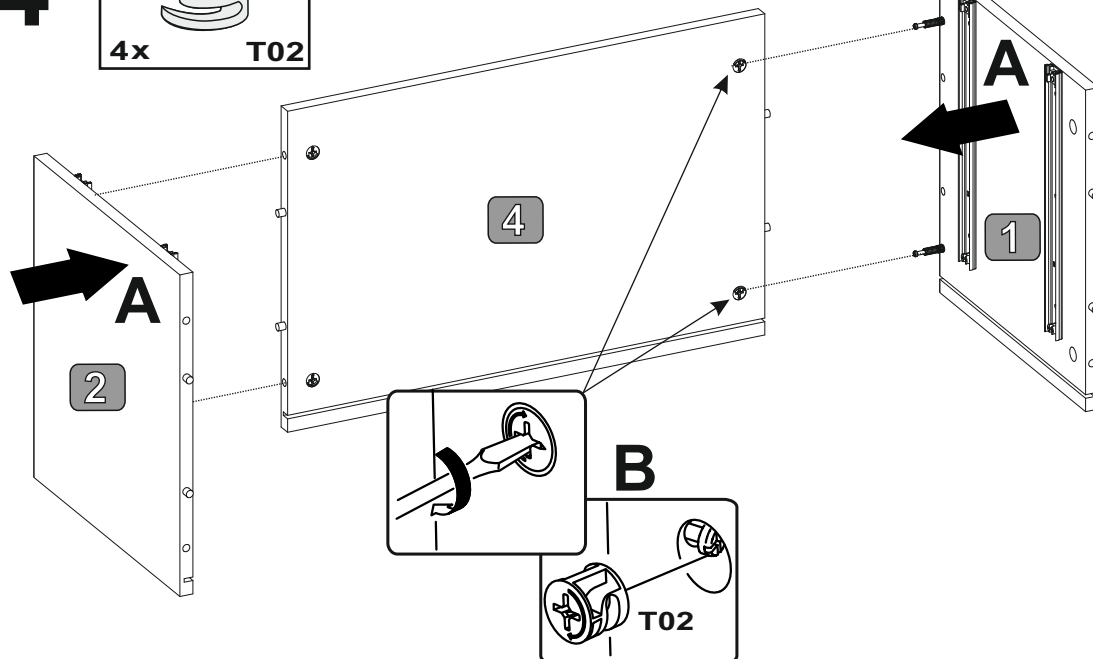
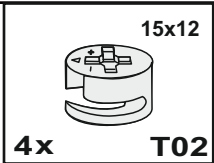
 2x T01	 1x K02	 2x P06	 4x D01	 4x W02	 2x W16
					 2x T02



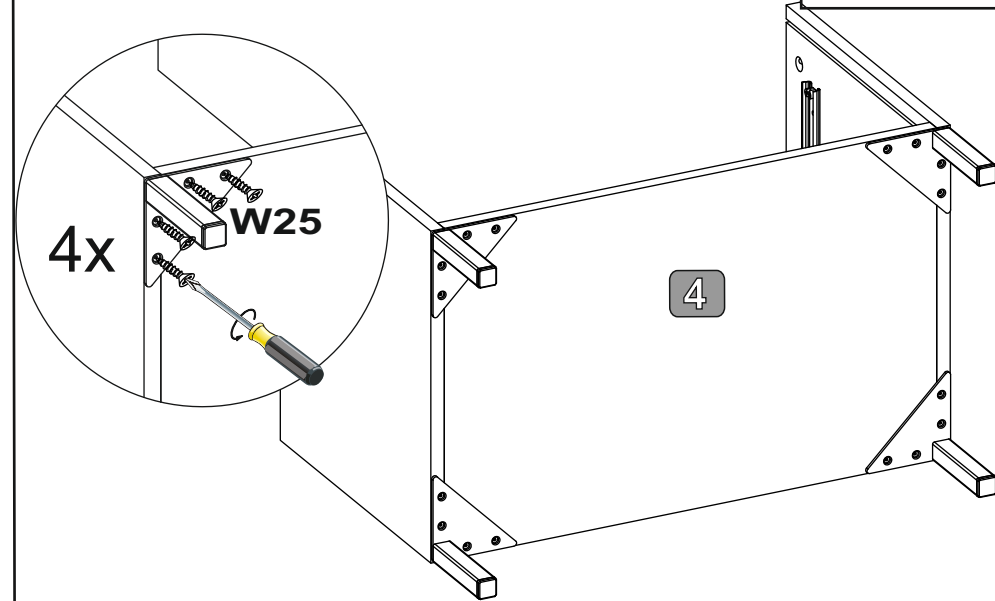
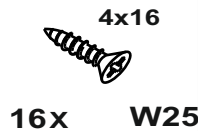
3



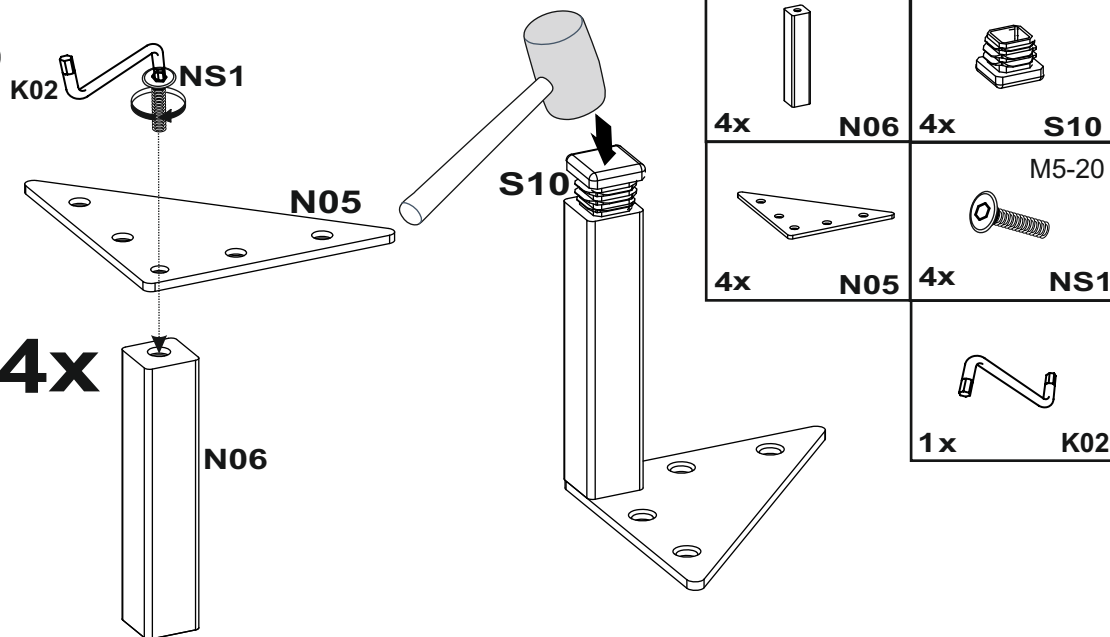
4



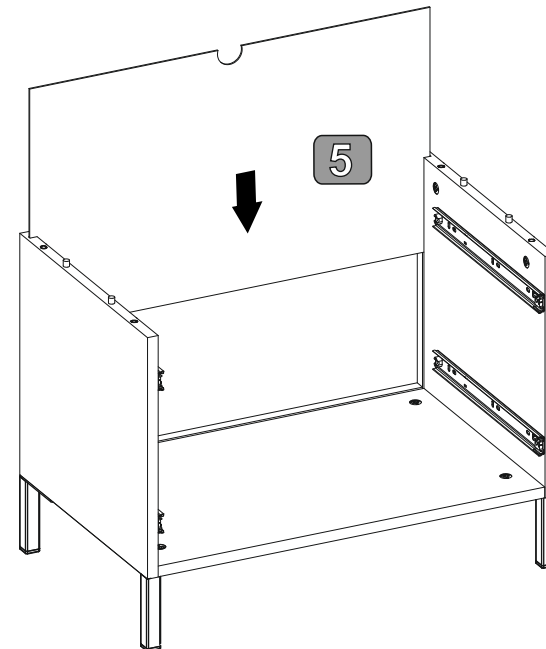
6



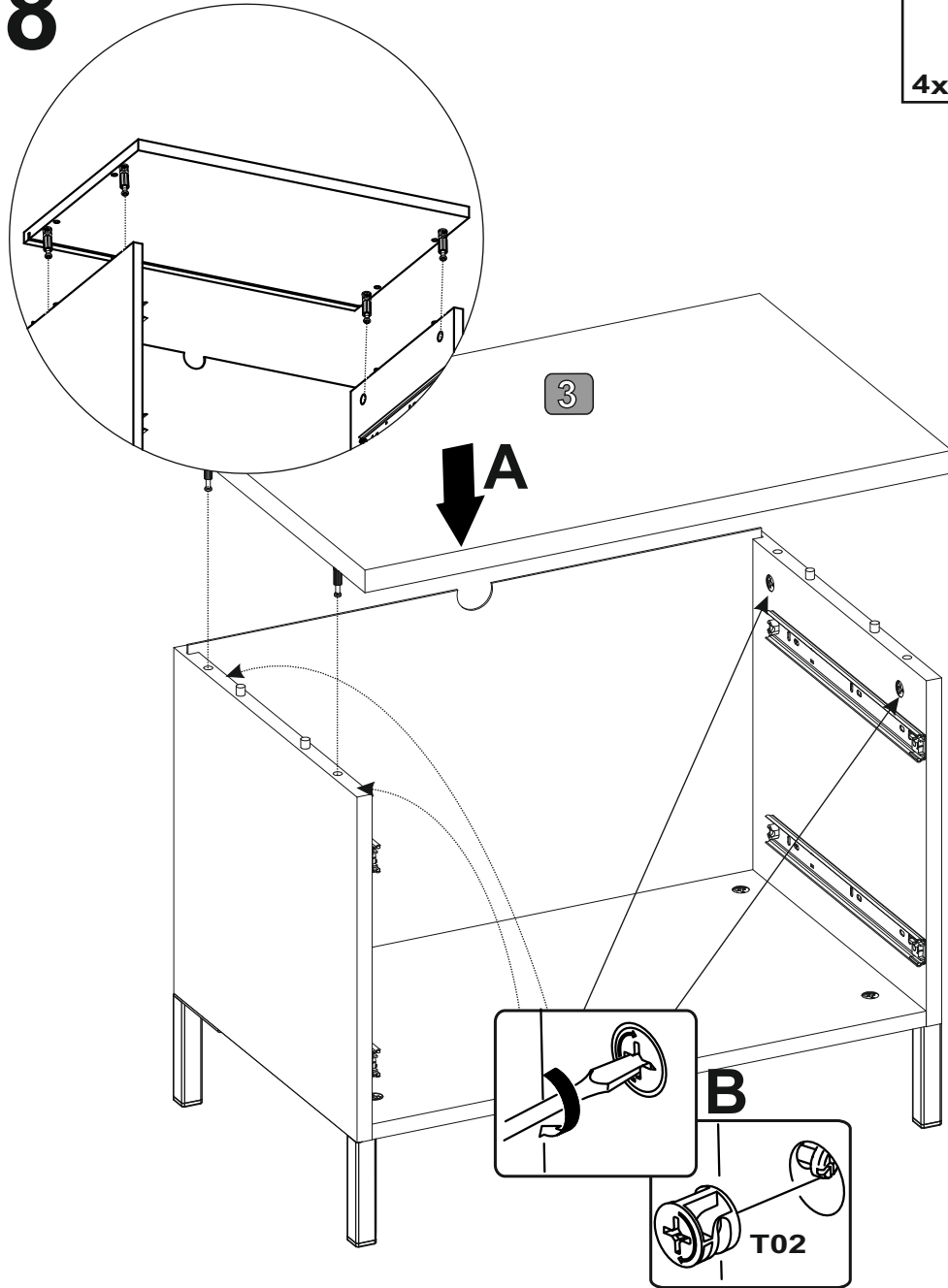
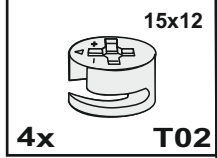
5



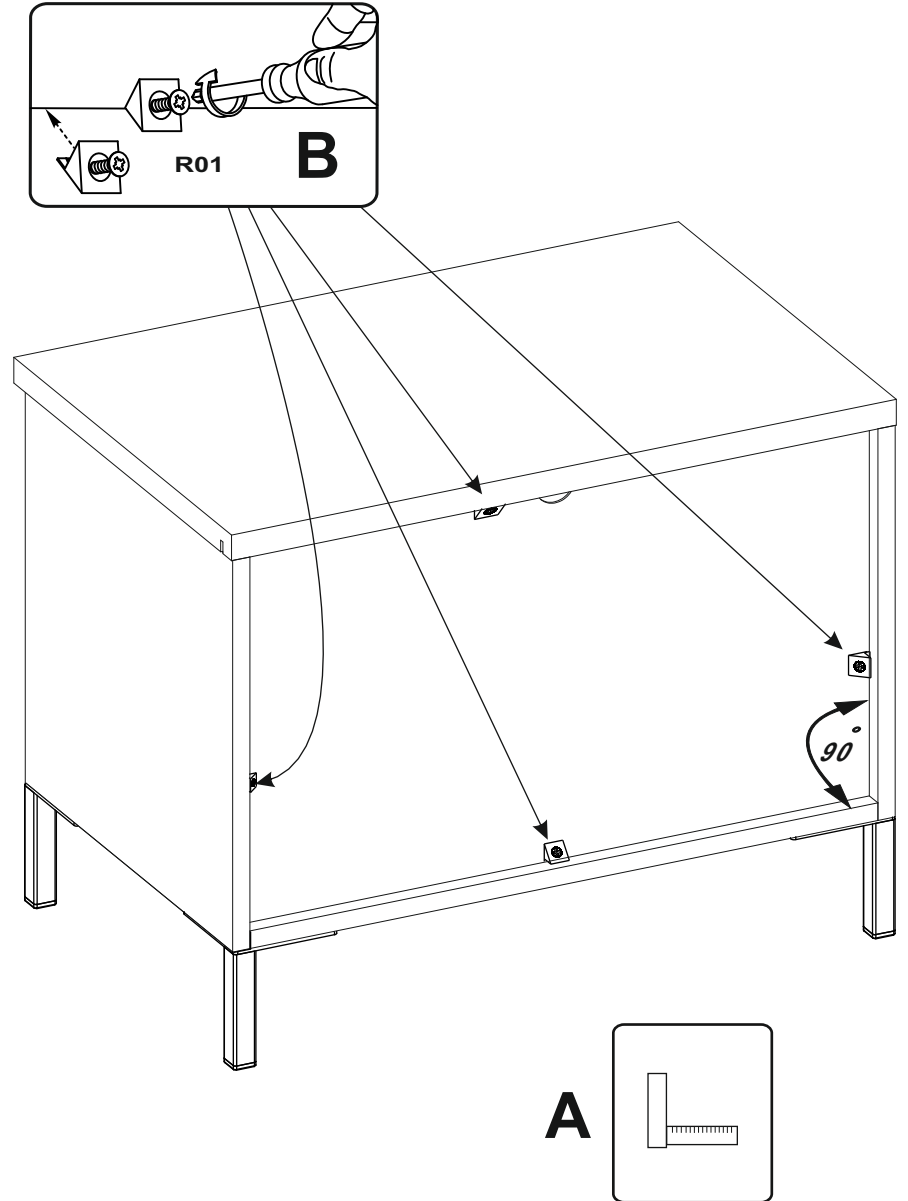
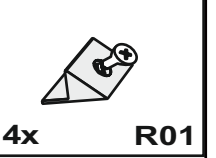
7



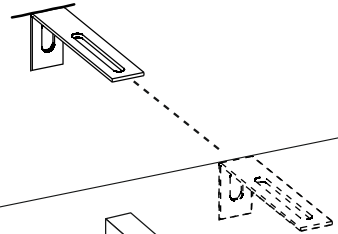
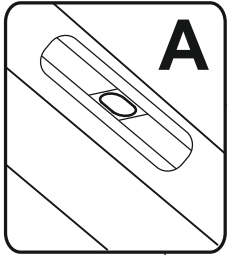
8







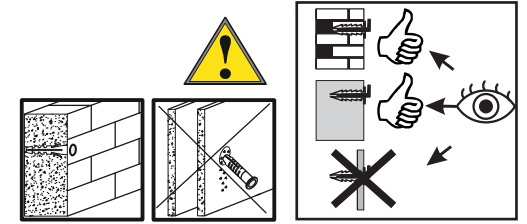
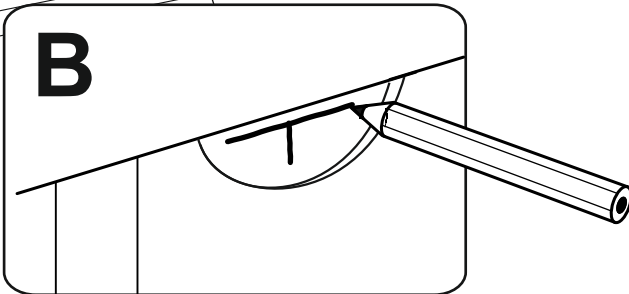
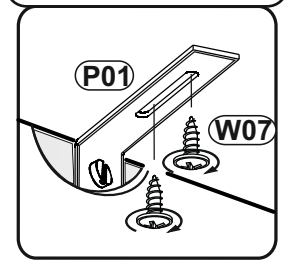
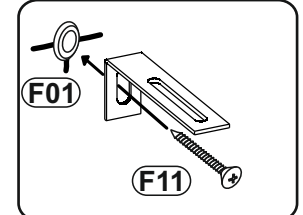
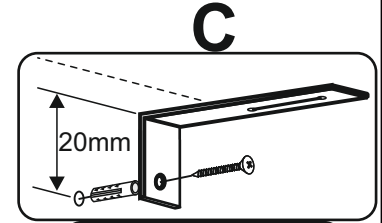
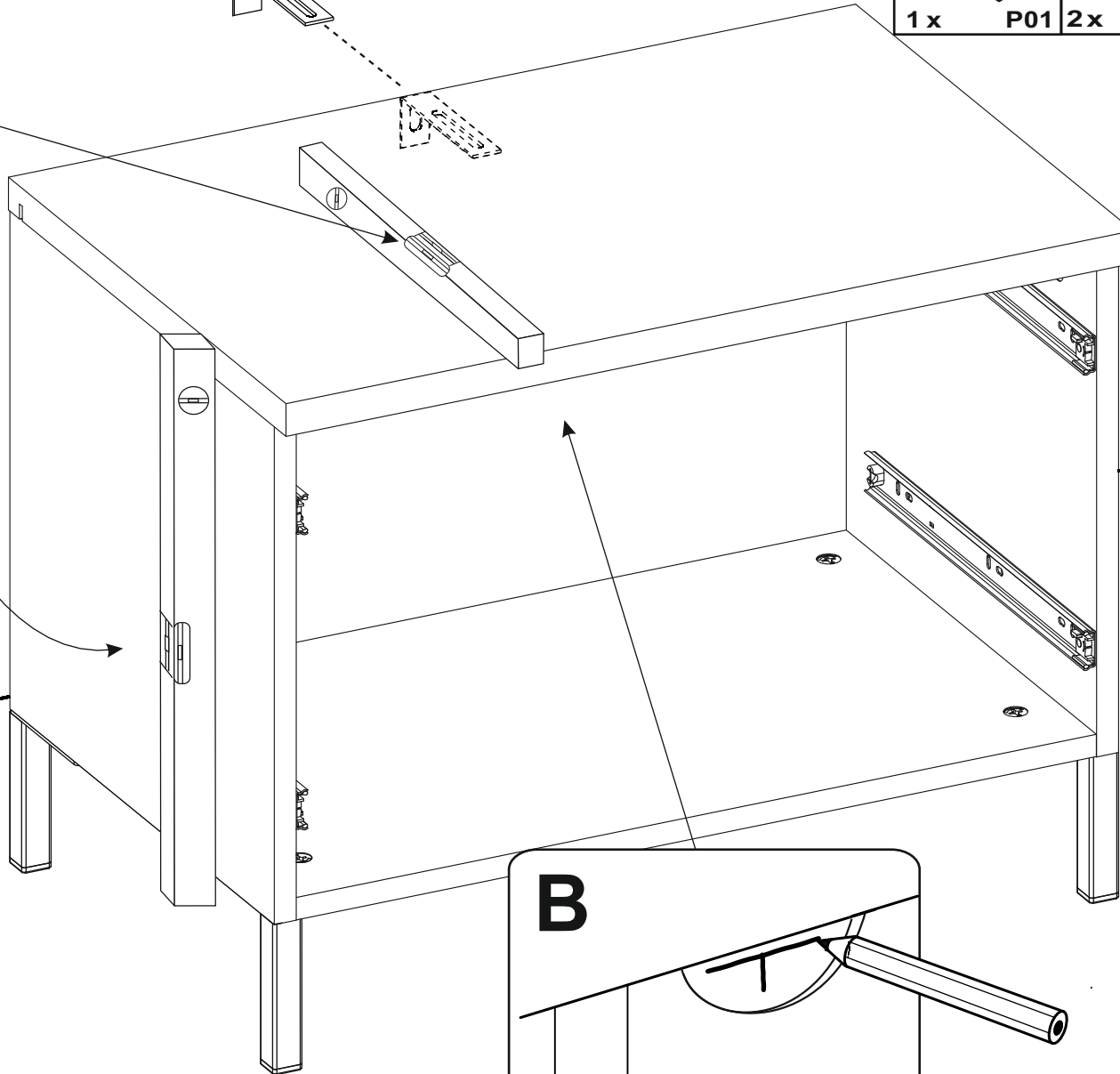
9






10



 1 x P01	 2 x W07	 1 x F01	 1 x F11
--	--	--	--



11

	3,5x13			4x25	
					
4x	W02	2x	U34	4x	W05

