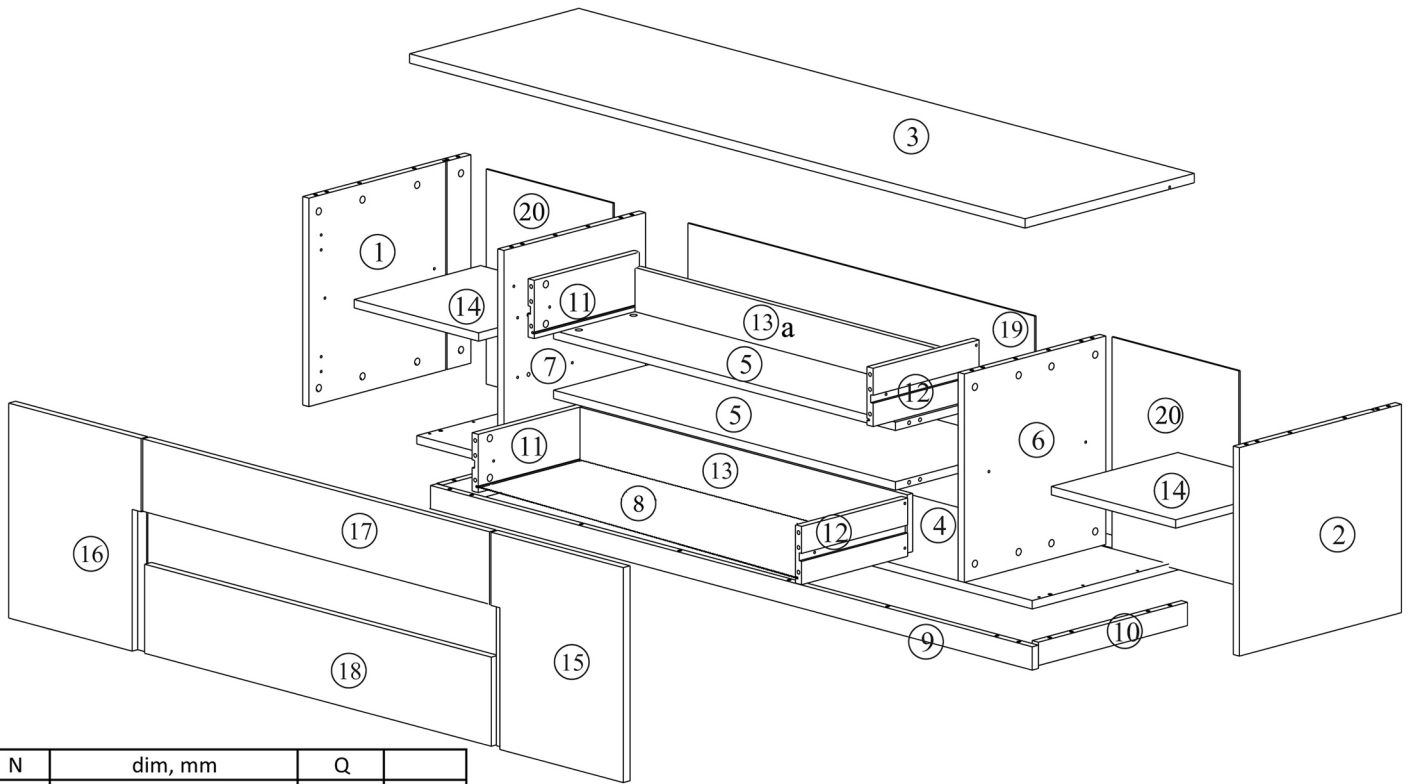
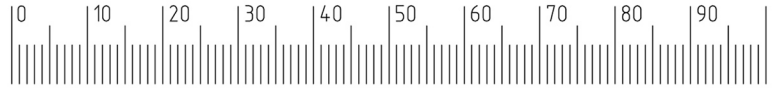
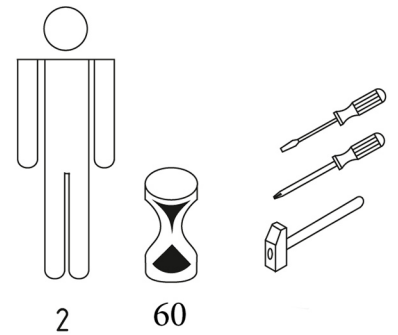


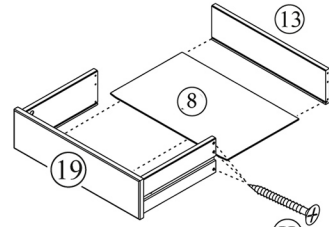
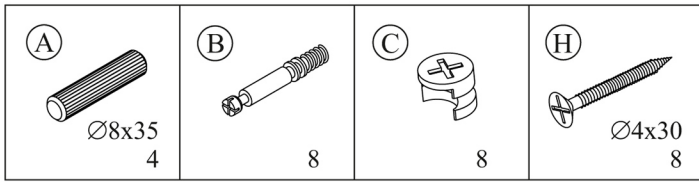
# Linea 4



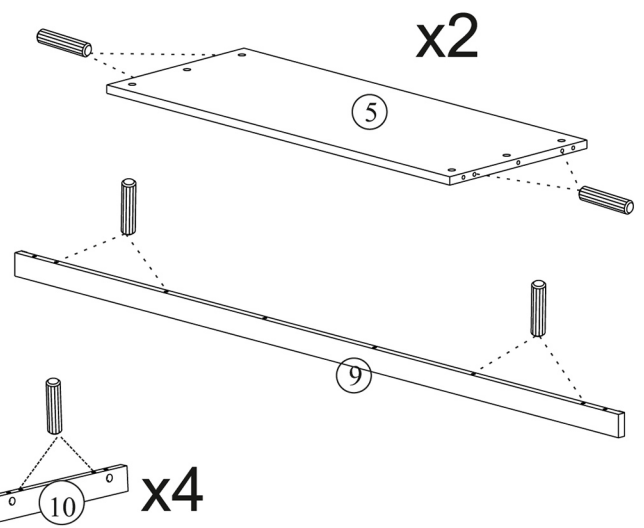
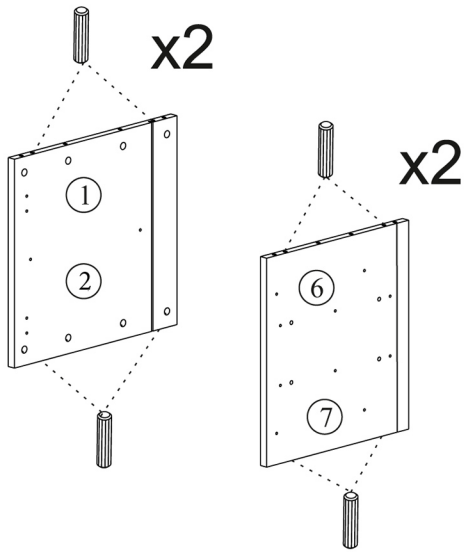
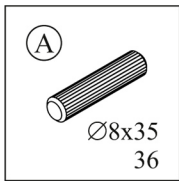
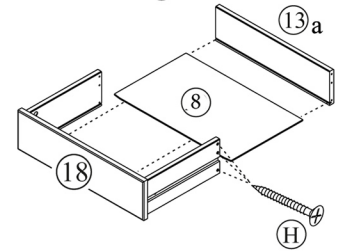
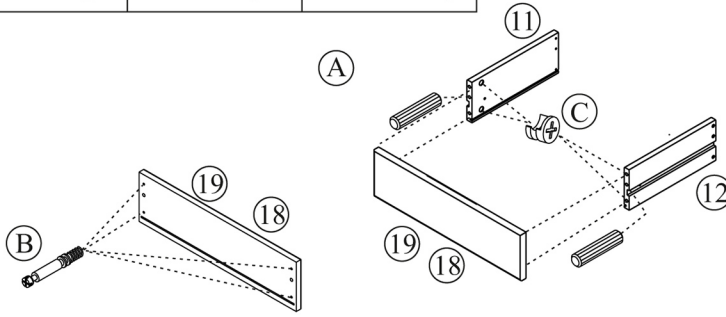
N	dim, mm	Q	
1	447x474	1	1
2	447x474	1	1
3	1800x495	1	1
4	1800x475	1	1
5	1000x400	2	2
6	447x414	1	1
7	447x414	1	1
8	970x307	2	2
9	1760x50	1	1
10	436x50	4	1 2
11	310x125	2	2
12	310x125	2	2
13	957x125	1	2
13a	957x106	1	2
14	362x370	2	2
15	461x387	1	2
16	461x387	1	2
17	1014x157	1	2
18	1014x191	1	2
19	461x1000	1	1
20	461x373	2	1



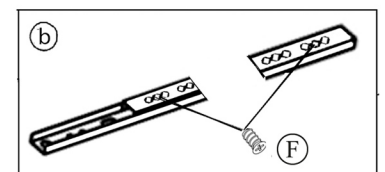
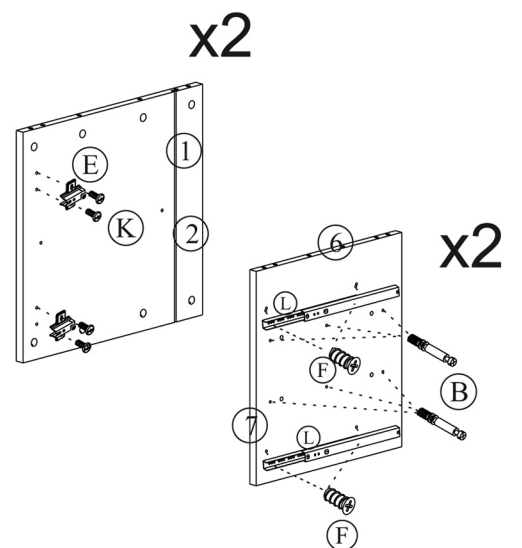
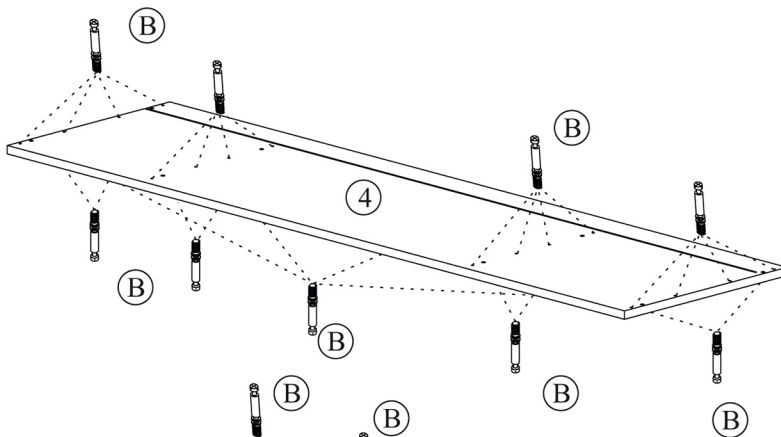
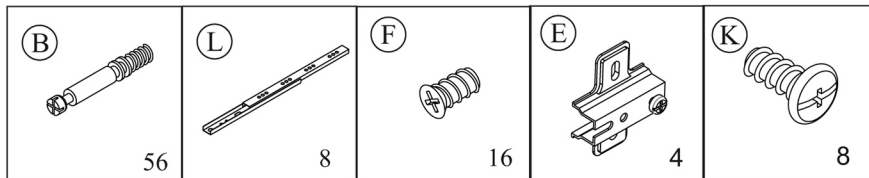
<b>(A)</b>  $\varnothing 8 \times 35$ 40	<b>(B)</b>  64	<b>(C)</b>  64	<b>(D)</b>  4	<b>(E)</b>  4	<b>(F)</b>  $\varnothing 6 \times 10$ 8	<b>(G)</b>  M4x12 4	<b>(H)</b>  $\varnothing 4 \times 30$ 8
<b>(I)</b>  $\varnothing 3.5 \times 16$ 44	<b>(J)</b>  8	<b>(K)</b>  8	<b>(L)</b>  4	<b>(S)</b>  36			



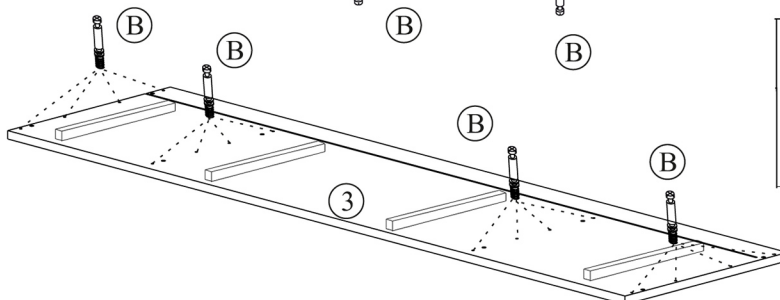
# I




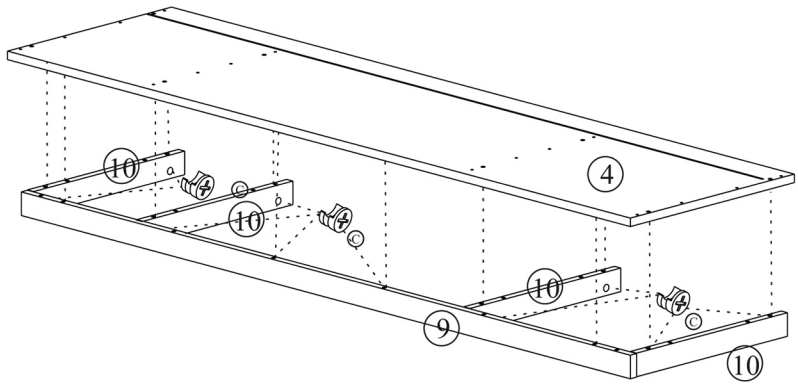
# II

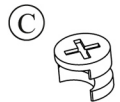


# III

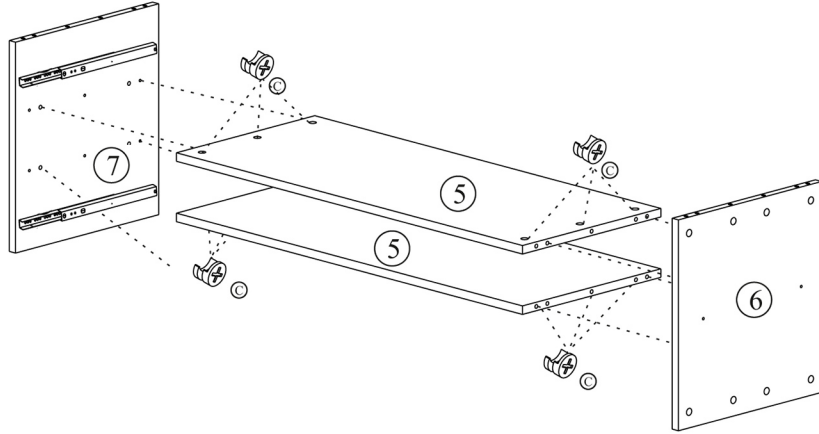



**IV**  12



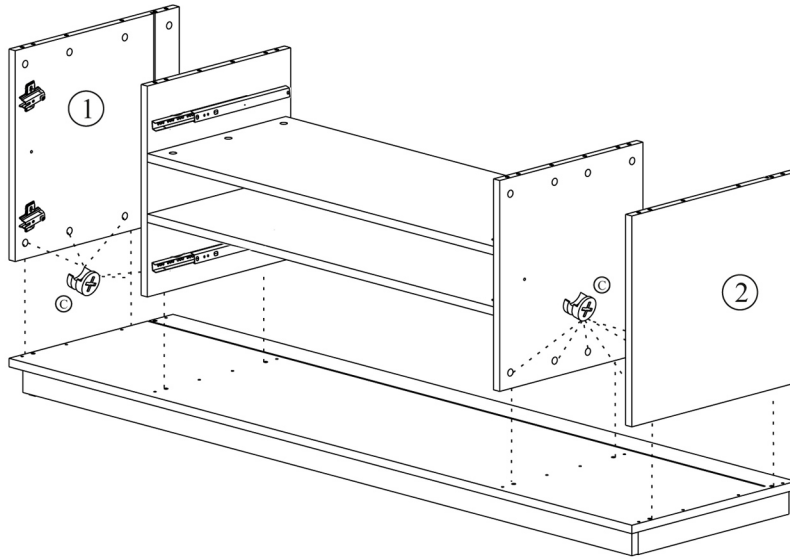
 6


**V**

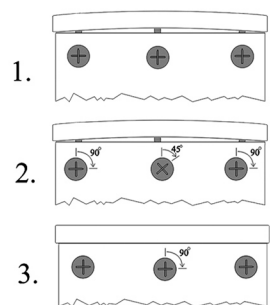
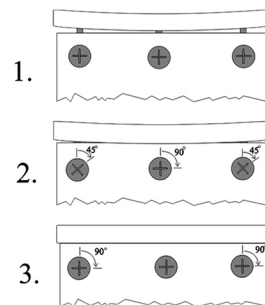
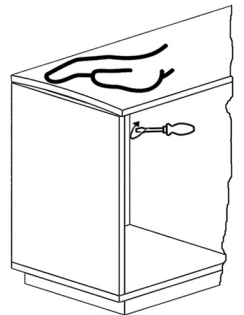
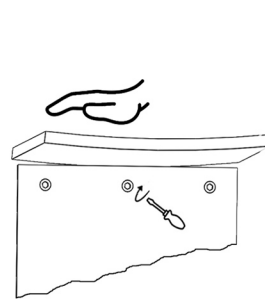
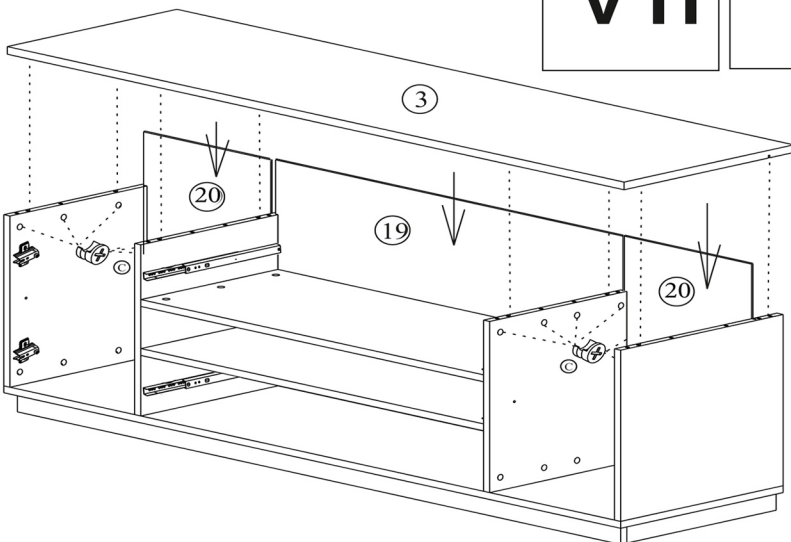


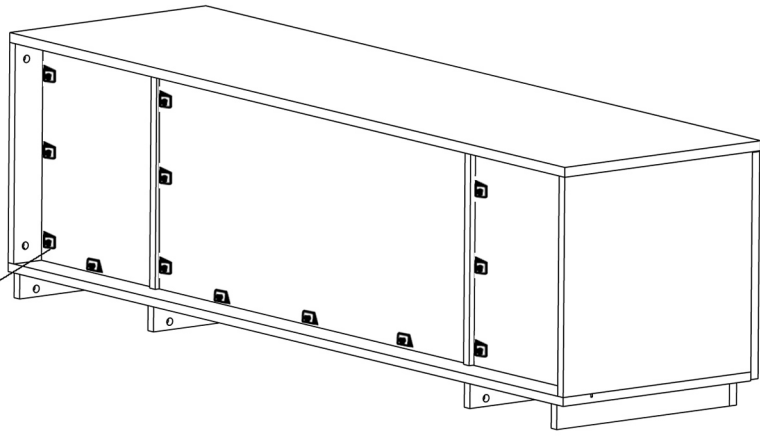
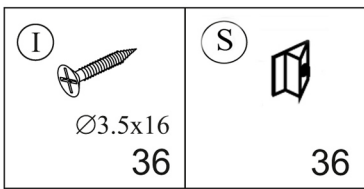
 16

**VI**

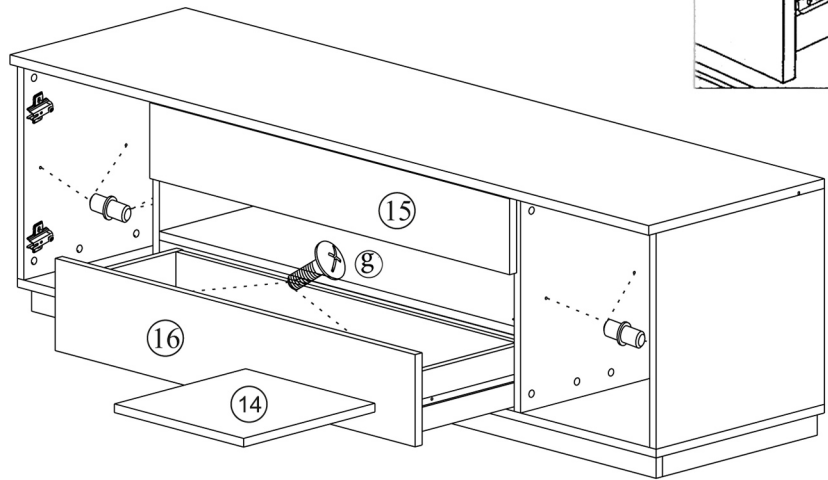
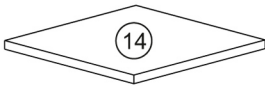
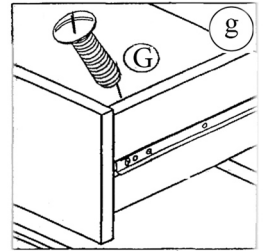
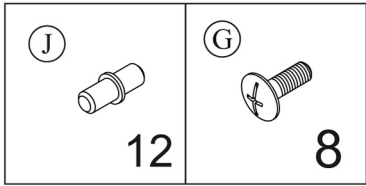


**VII**  16

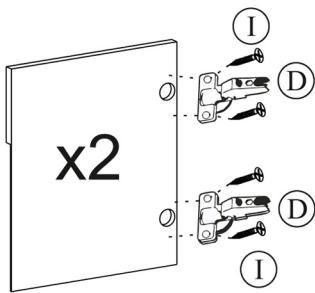
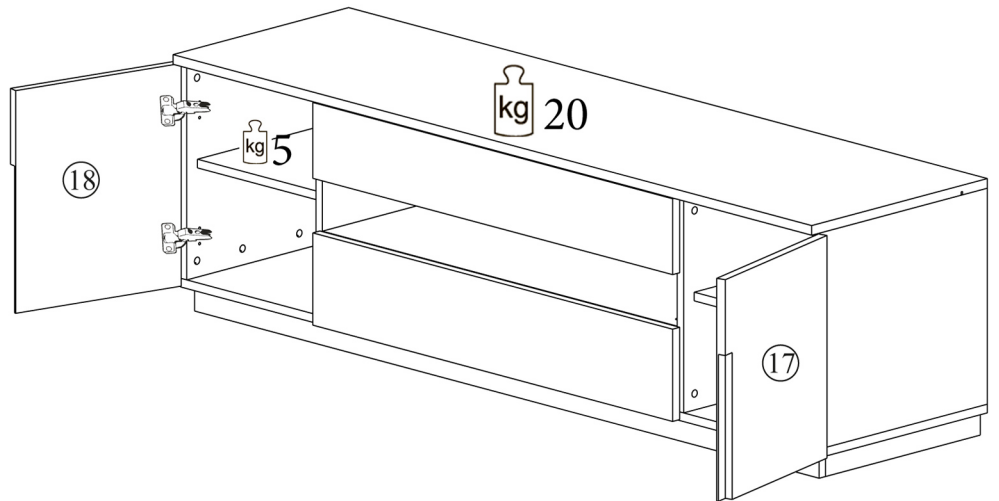
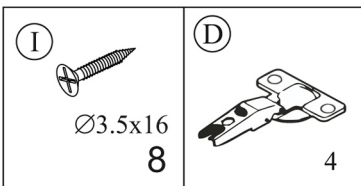




**VIII**



**IX**



**X**

