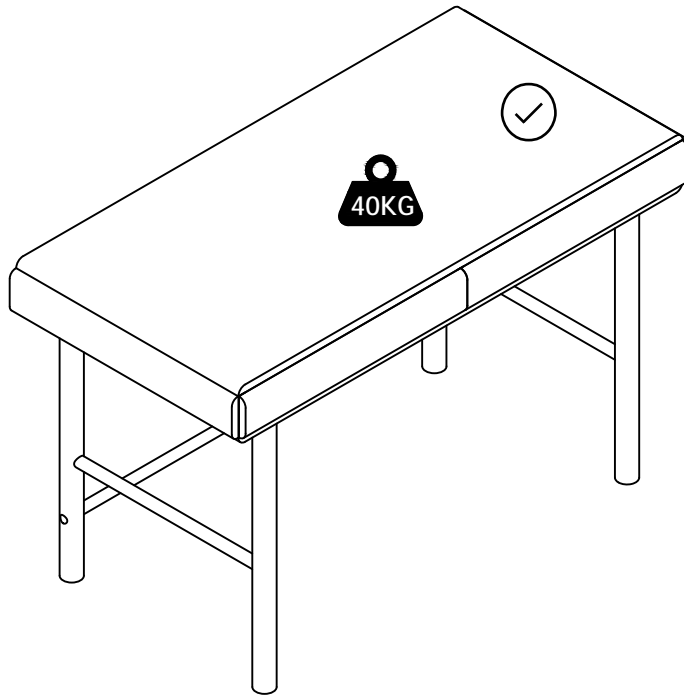






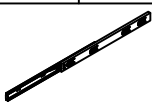
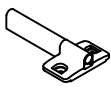



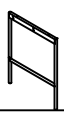




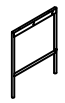


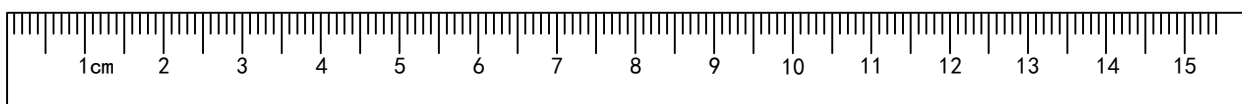
# 19090071-01

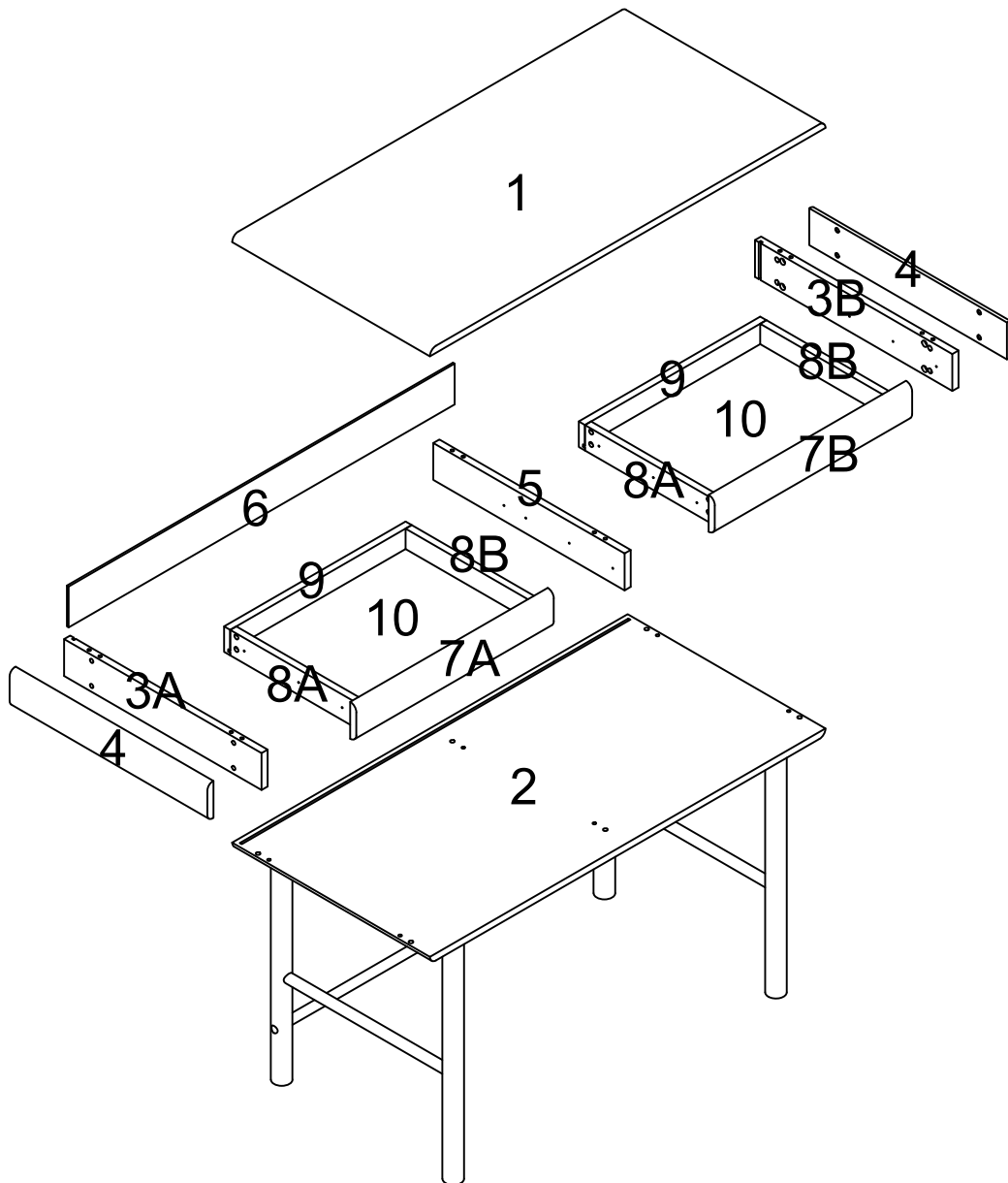
## LORIS

BDSK Handels GmbH & Co. KG  
 Mergentheimer Strasse 59  
 D-97084 Wurzburg/ Germany

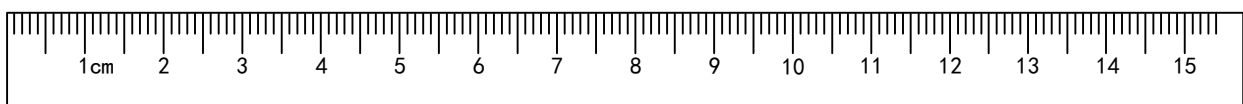


<b>A</b>	x 28	<b>B</b>	x28	<b>C</b>	x 12	<b>D</b>	x 32	<b>E</b>	x 8
									
Φ12x 12mm		M6 x 24mm		Φ8 x 40mm		M3.5x 15mm		M6x40mm	
<b>F</b>	x 1	<b>H</b>	x 4	<b>I</b>	x 2	<b>J</b>	x 8	<b>K</b>	x 2
									
M5		400mm				M6x20mm		M6x55mm	
<b>L</b>	x 8	<b>M</b>	x 1	<b>N</b>	x 2	<b>O</b>	x 1	<b>P</b>	x 18
									
M6x30mm		550x50x620mm		928x45x22mm		909.5x22x22mm		Φ12 x M6x1mm	
<b>Q</b>	x 10	<b>R</b>	x 1						
									
M6		550x50x620mm							



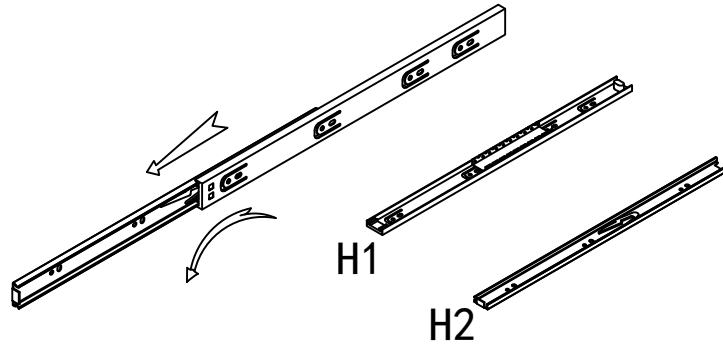


<b>1</b>	x 1		1164x582x18mm
<b>2</b>	x 1		1164x582x18mm
<b>3A</b>	x 1		581x94x18mm
<b>3B</b>	x 1		581x94x18mm
<b>4</b>	x 2		582x94x18mm
<b>5</b>	x 1		563x94x18mm
<b>6</b>	x 1		1136x104x5mm
<b>7A</b>	x 1		581x94x18mm
<b>7B</b>	x 1		581x94x18mm
<b>8A</b>	x 2		382x65x18mm
<b>8B</b>	x 2		382x65x18mm
<b>9</b>	x 2		534x65x18mm
<b>10</b>	x 2		508x392x5mm

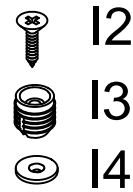
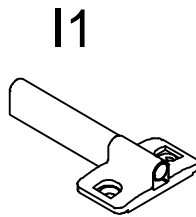


**1**

$$H=H1+H2$$

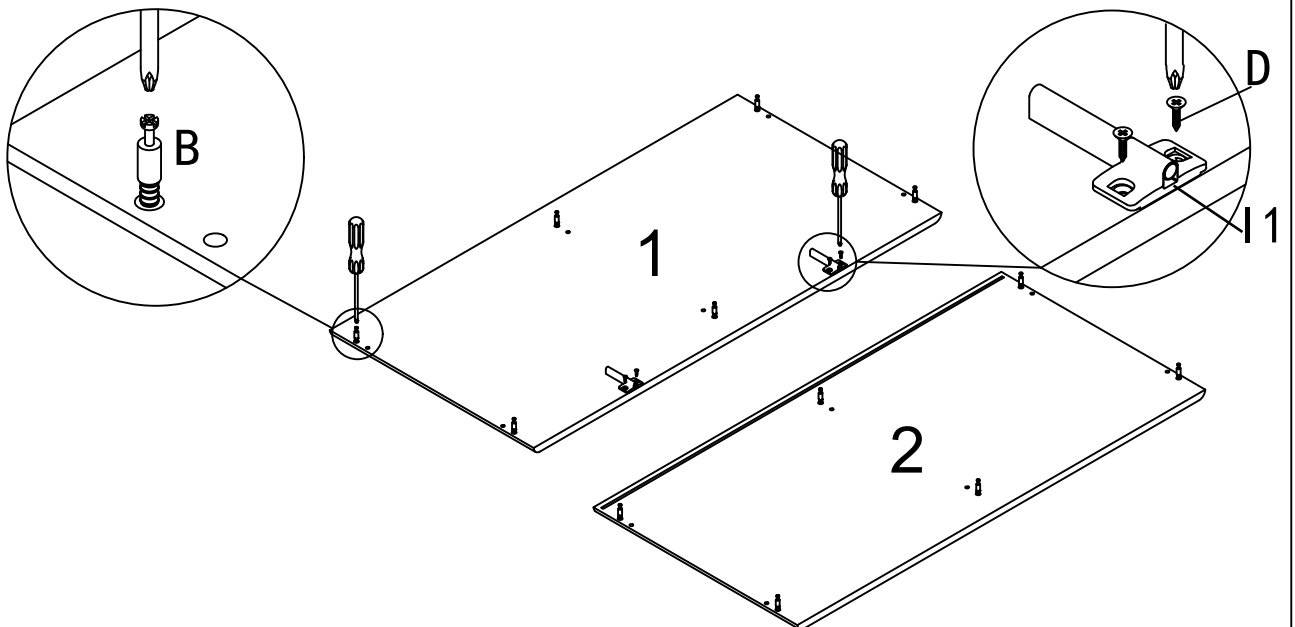


$$l=l1+l2+l3+l4$$



I	x 2

H	x 4
400mm	

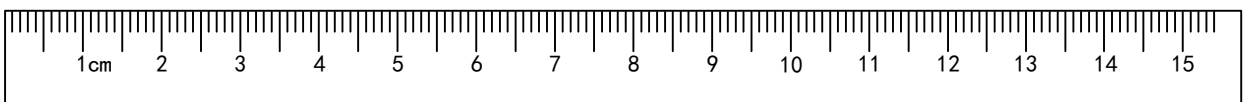
**2**

B	x 12
M6 x 24mm	

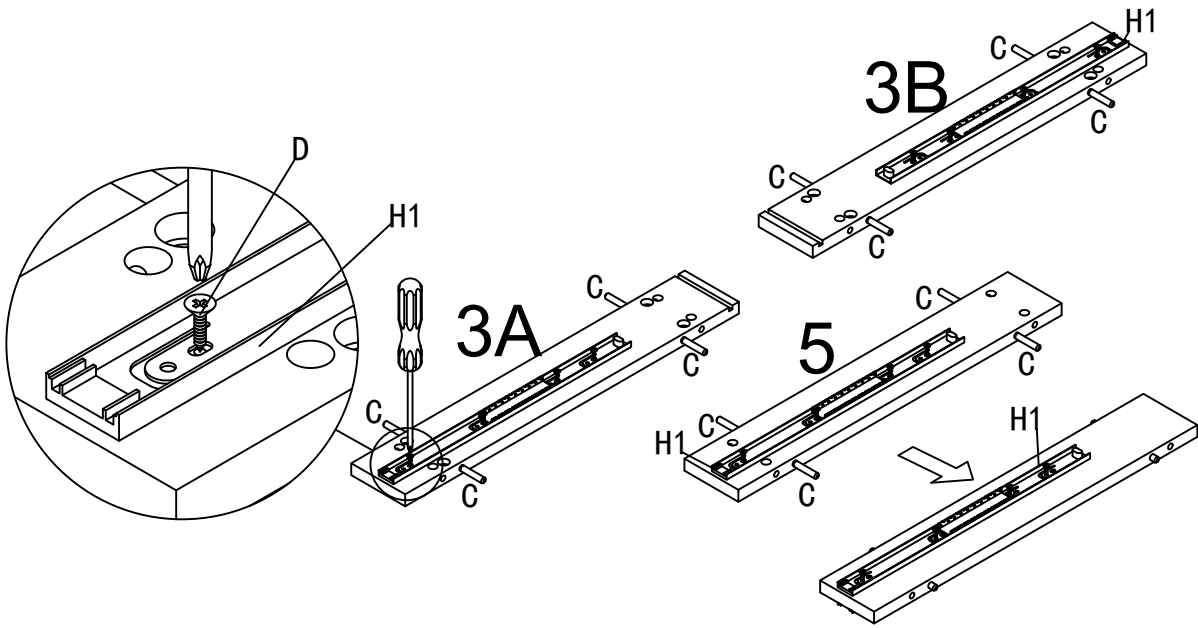
I	x 2


D	x 4
M3.5*15	


3




3

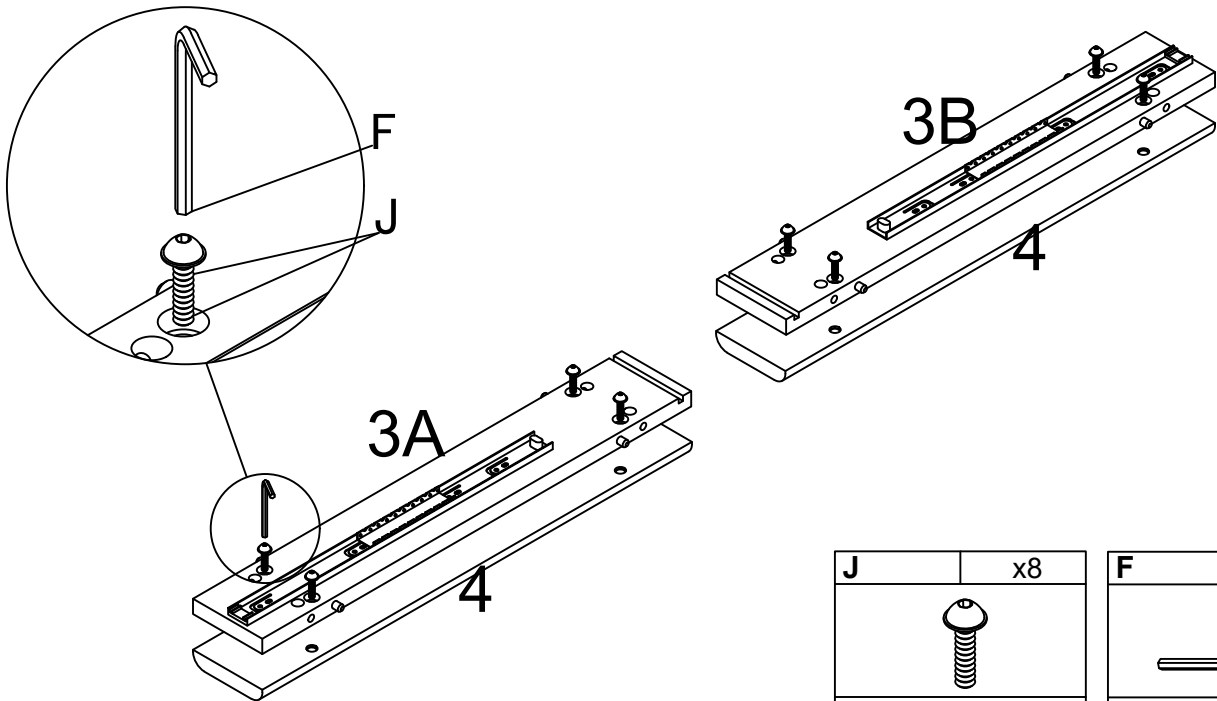


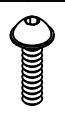
<b>C</b>	x 12
	
Φ8 x 40mm	


<b>D</b>	x 16
	
M3.5*15mm	

<b>H1</b>	x 4
	
400mm	

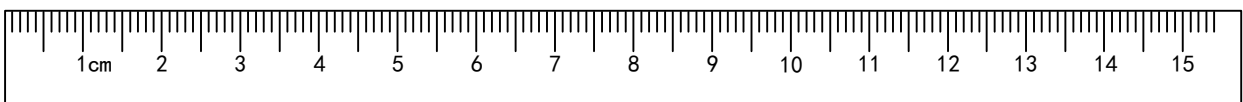
4



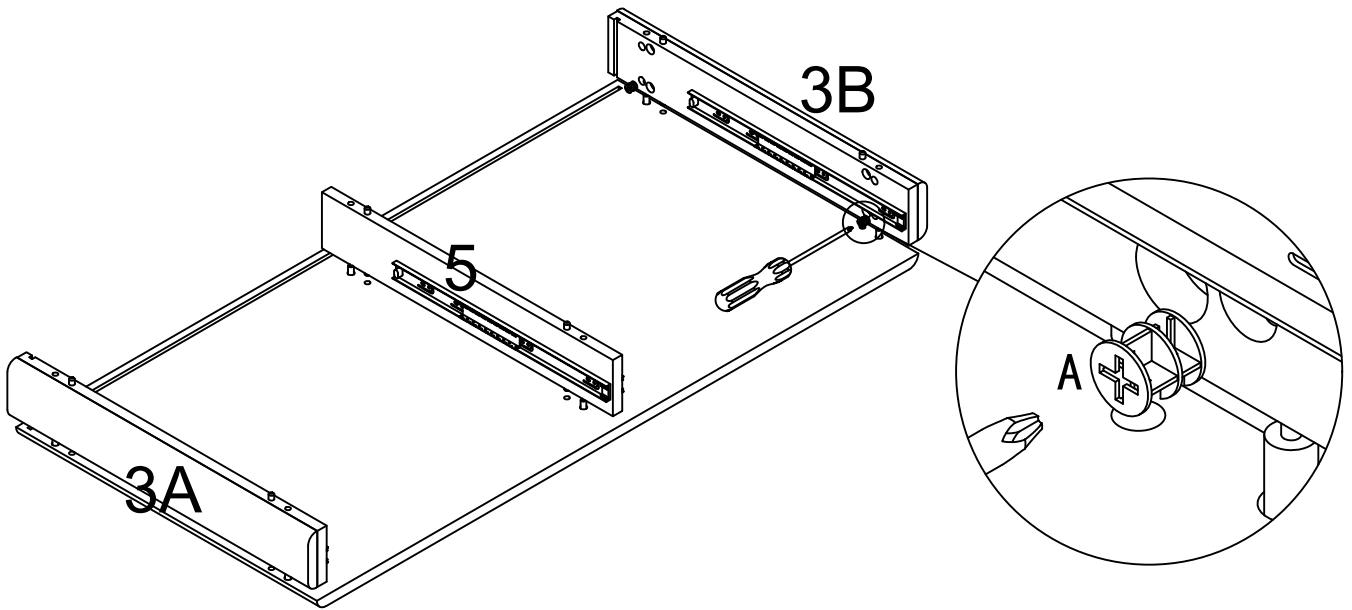
<b>J</b>	x 8
	
M6*20mm	

<b>F</b>	x 1
	
M5	

4

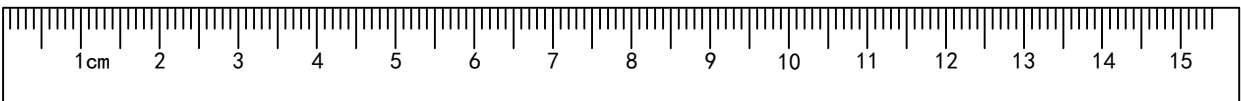
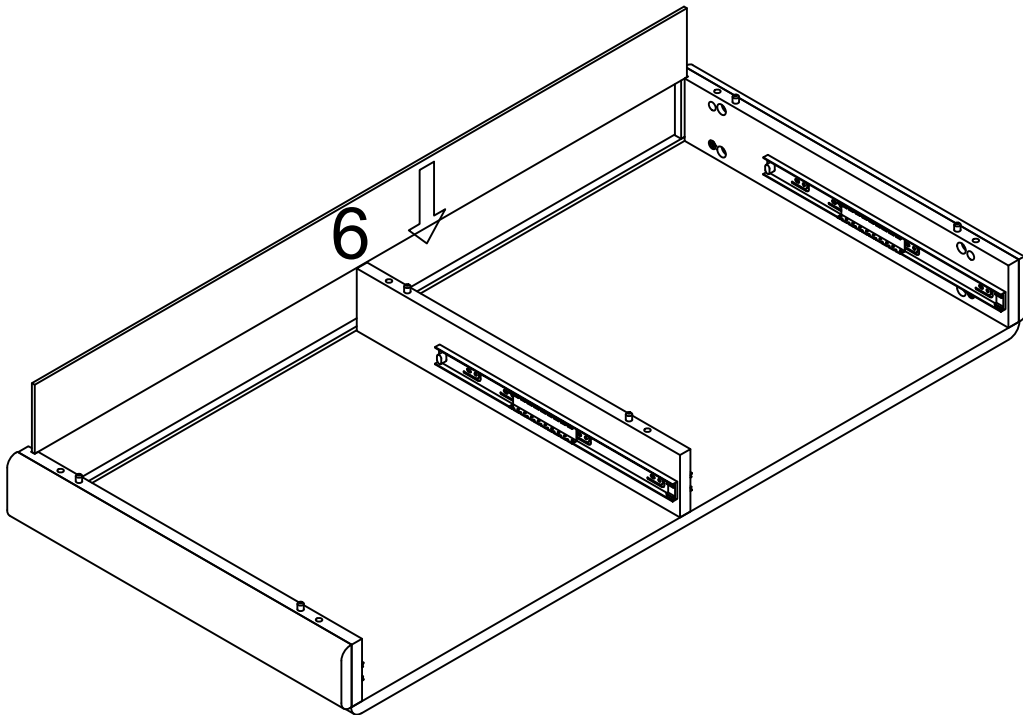


5

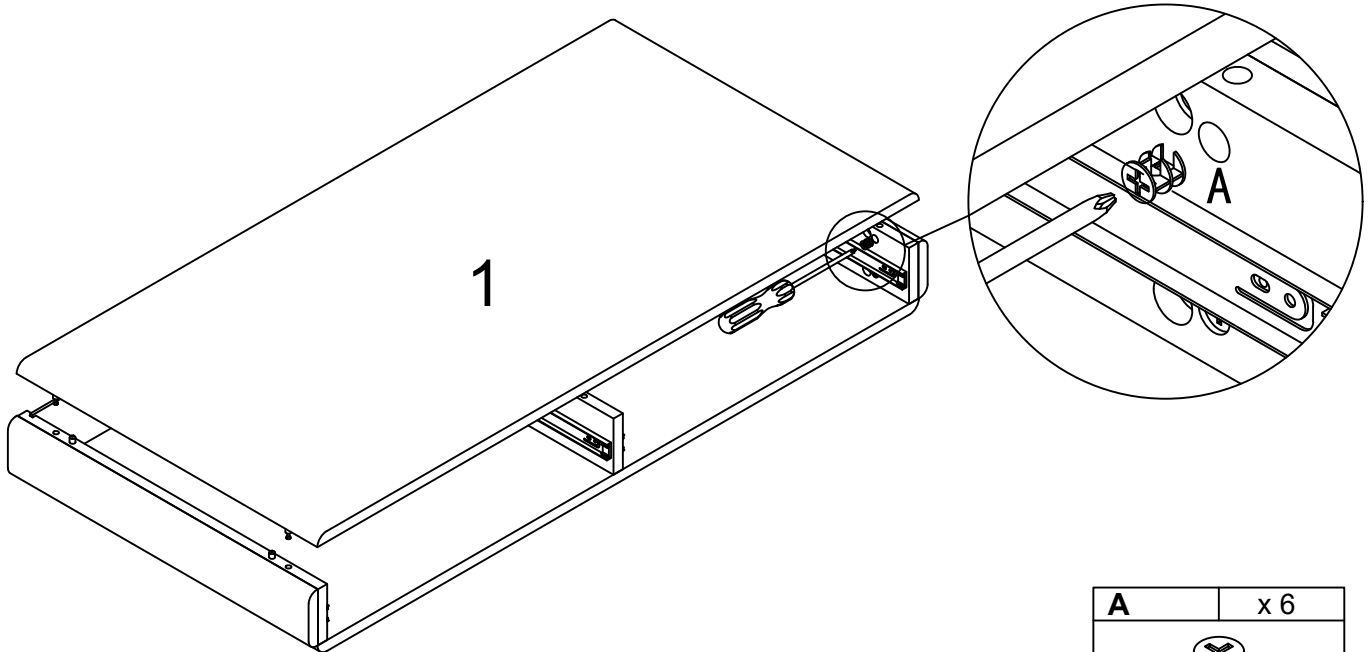


A	x 6
Φ12 x 12mm	

6

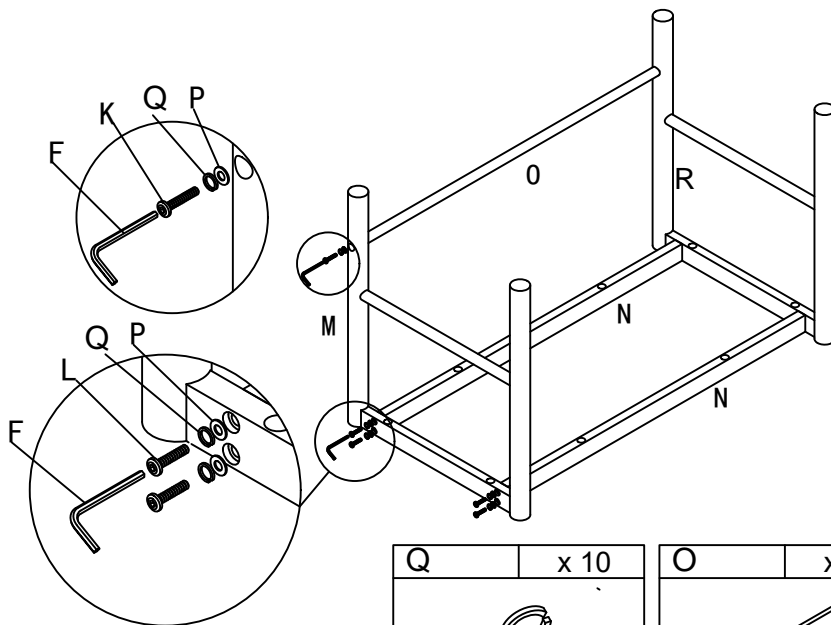


7



A	x 6
Φ12 x 12mm	

8



R	x 1
550x50x620mm	

Q	x 10
M6	

O	x 1

N	x 2

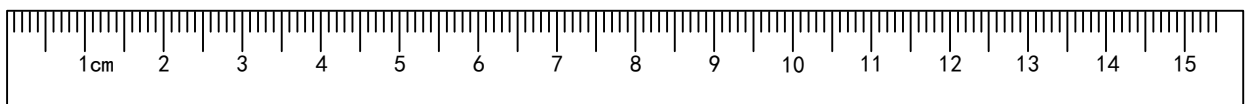
P	x 10
Φ12 x M6x1mm	

K	x 2
M6x55mm	

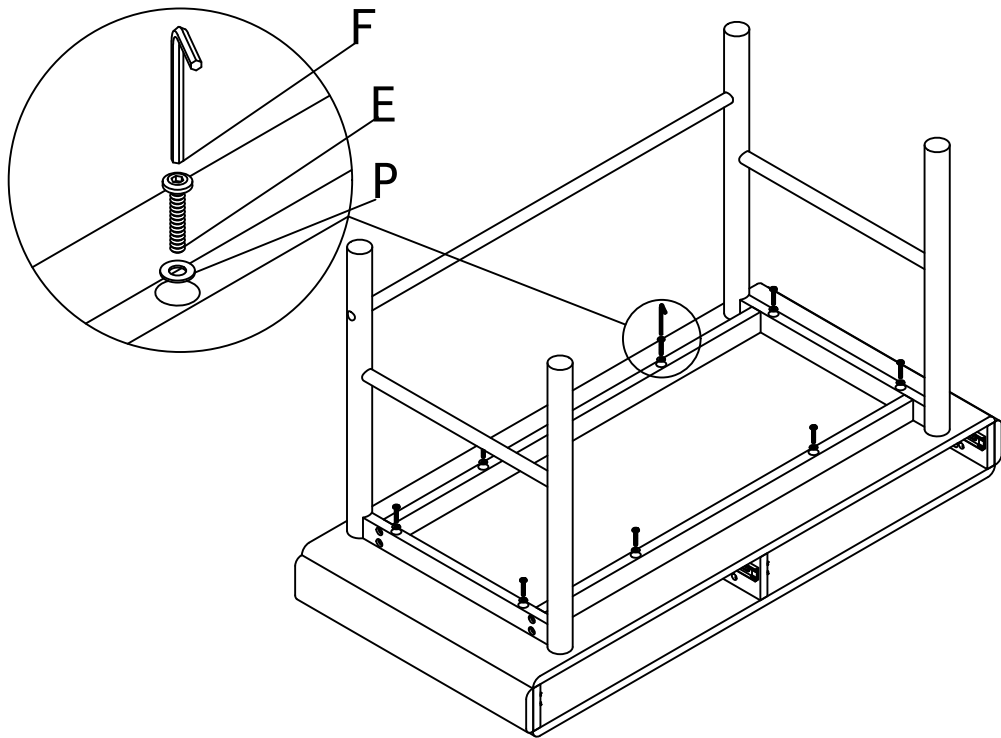
L	x 8
M6x30mm	


F	x 1
M5	


M	x 1
550x50x620mm	




9

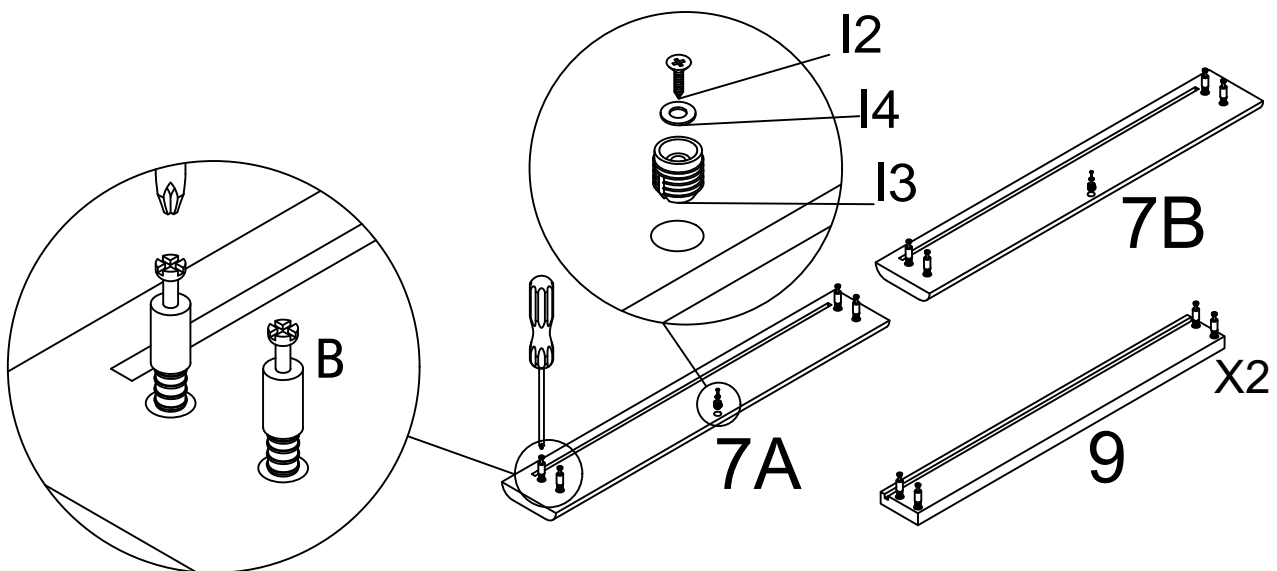



<b>P</b>	x 8
	
Φ12 x M6x1mm	


<b>E</b>	x 8
	
M6x40mm	

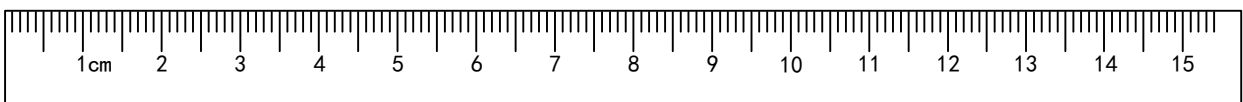
<b>F</b>	x 1
	
M5	

10

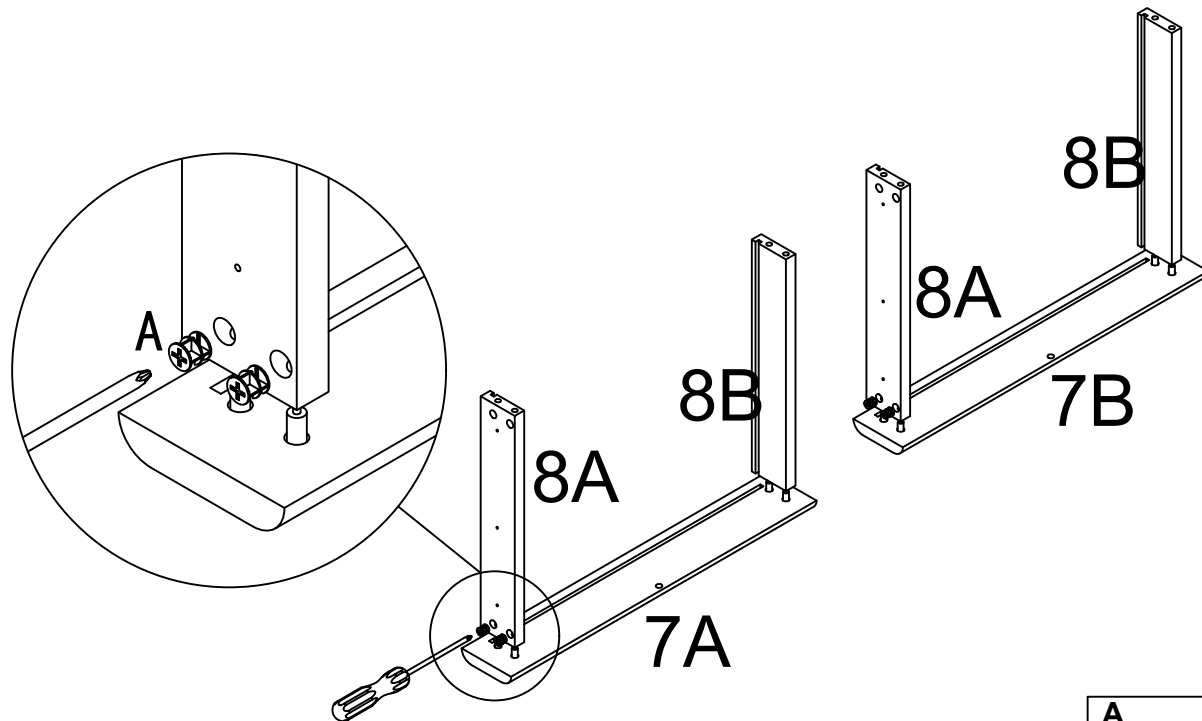


<b>I</b>	x 2
	
M6 x 24mm	

<b>B</b>	x 16
	
M6 x 24mm	

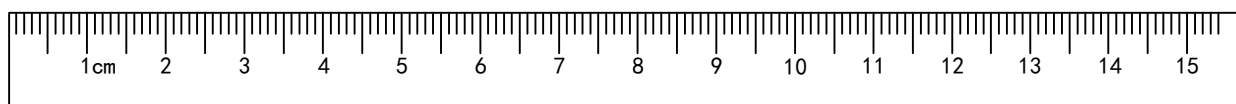
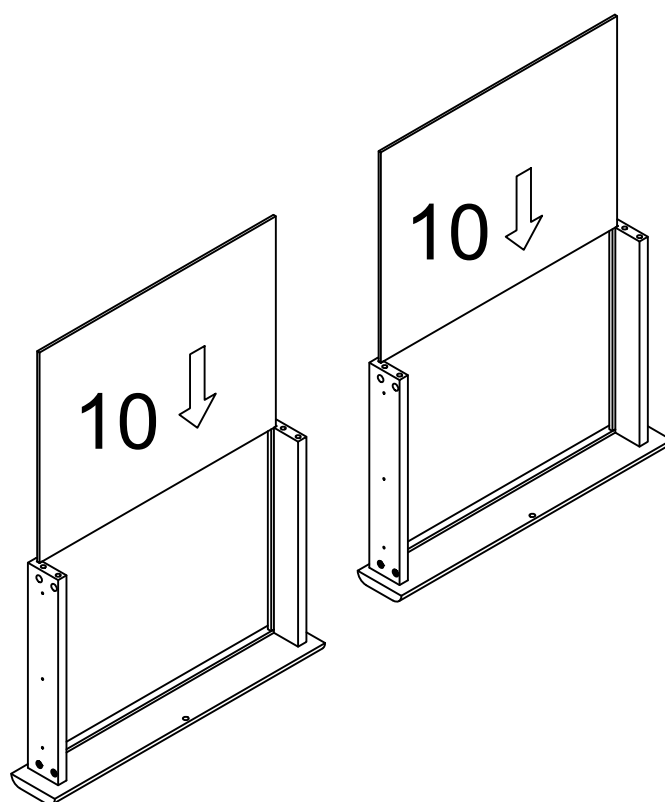


11

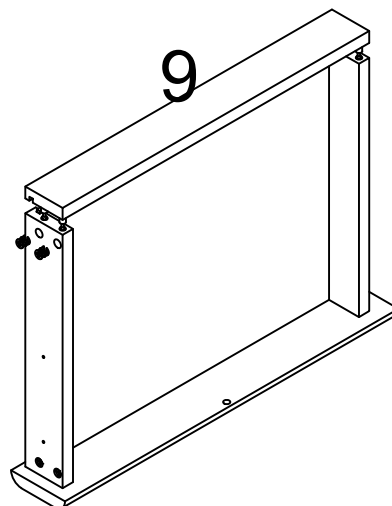
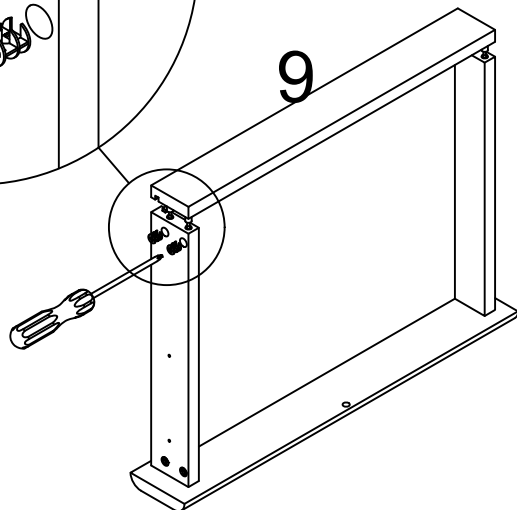
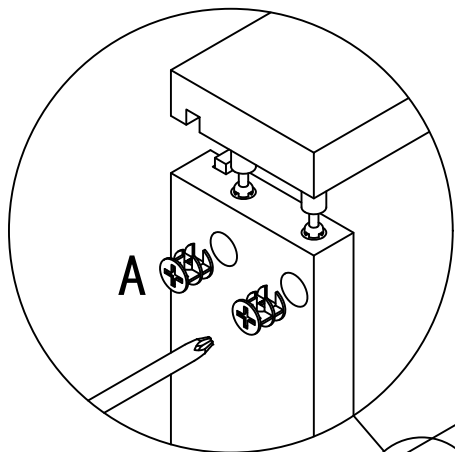


A	x 8
Φ12 x 12mm	

12

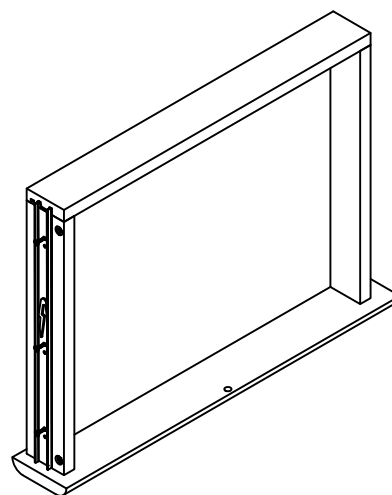
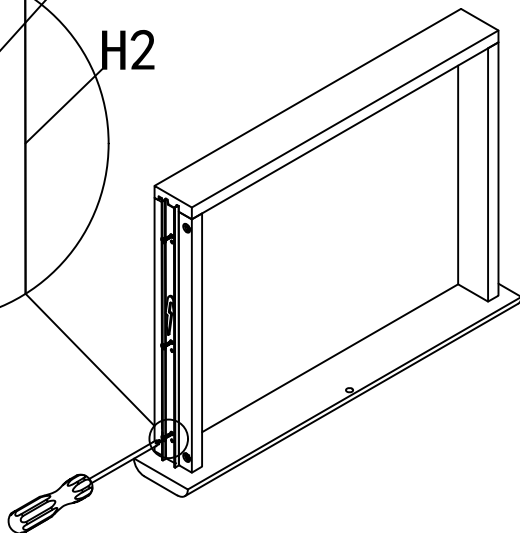
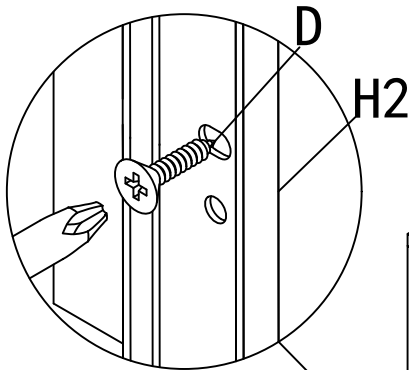


13



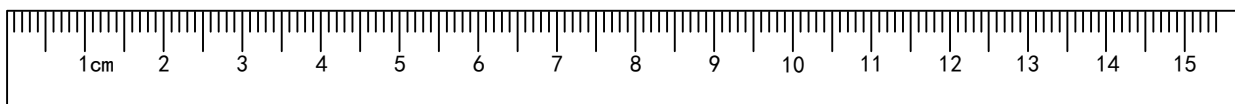
<b>A</b>	x 8
$\Phi 12 \times 12\text{mm}$	

14

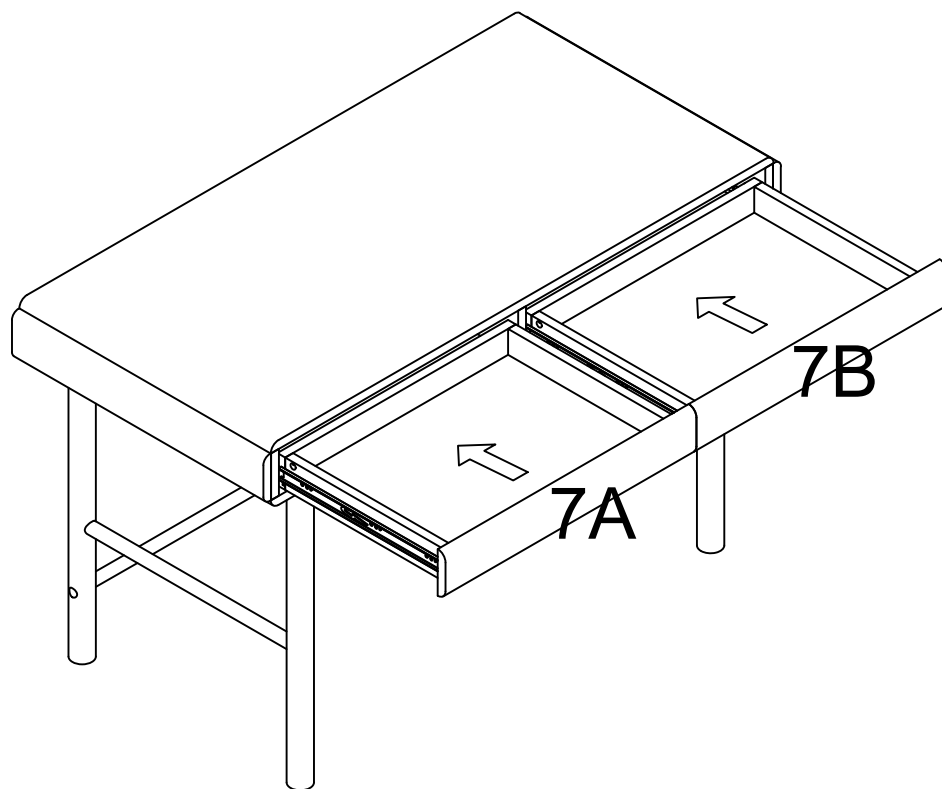


<b>D</b>	x 12
$M3.5 \times 15\text{mm}$	

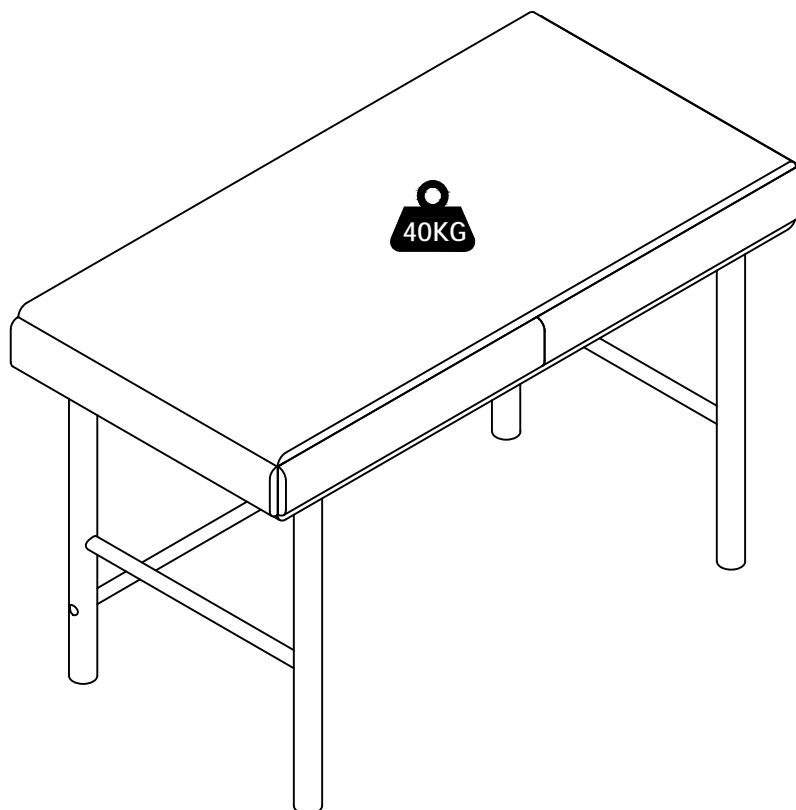
<b>H2</b>	x 4
$400\text{mm}$	



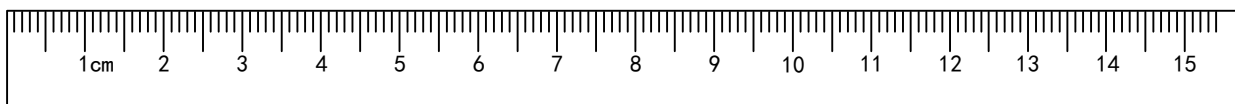
15



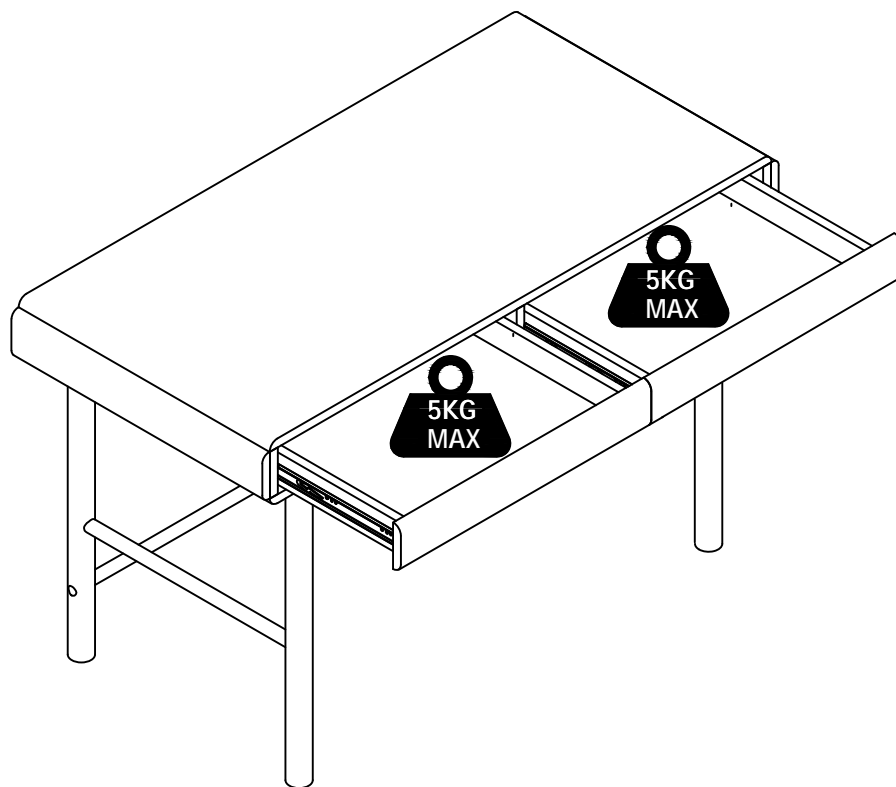
16



10



17



18

