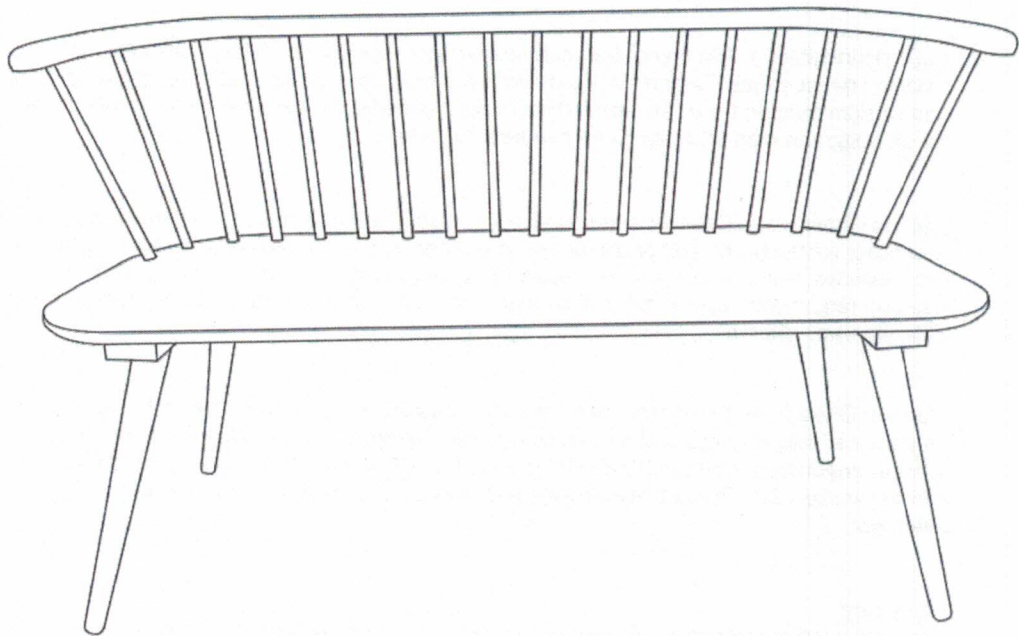


Assembly Instruction

MONTERINGSANVISNING | MONTAGEANLEITUNGEN



ProductNumber: 16803-300
Description: Bobby Dining Sofa



@Venturehomese
@Venture.Design

Do not tighten screws until all screws
have been assembled !

**Venture
home**





Congratulations on your new furniture from Venture Home!

It is important to know how to best take care of your furniture. We recommend you go to www.venturdesign.se and find "Care Advice" to get mor detailed information. On this sheet you will find general tips and tricks for different materials.

MDF / Painted Furniture: Painted or lacquered MDF tops are susceptible to scratches and damages so be careful with the surface! Detergents and cleaning products that contain ammonia are less suitable for painted surfaces because both acetone, thinner and T-spirit can dissolve the paint. Beverages such as soft drinks, red wine and coffee contain pigments that white paint are particularly sensitive to.

Fabrics / PU / Velvet: All fabrics fade in the sun so make sure not to put the furniture in direct sunlight. Remove stains immediately. Do not rub, instead try to soak up gently with a cloth. Should the stains not go away, use a stain remover that you first try on a less visible part of the fabric. We recommend that larger furniture is foam washed at least three times a year.

Steel: Keep in mind that steel is a material that can rust when getting exposed to water and moisture over a longer time. Paint or any other covering treatment is what keeps the rust away. Therefor it is important not to damage the coating. Solvents should not be used on painted or lacquered steel as this will dissolve the finish, exposing it to rust. For daily care, clean with a soft cloth and soapy water. Always wipe the surface dry afterwards and avoid any excess water.

Marble: This is a stone that can variate in colour, structure, and marbling. Marble is a delicate and porous material that is sensitive to liquids, moisture, and dirt. Therefore, you need to be extra careful of how you use and maintain the stone. We recommend treating the marble with "Protect Marble & Stone" from Leather Master.

Assembly: Be careful when assembling your furniture. If the screws are tightened too much or with a screwdriver damages on the table top may appear. All screws should be tightened to 20% and then cross-tightened until they are fully tightened. Screws might need to be tightened after some time of using the product.

If you have any questions, please contact the company where you bought the furniture!

We hope you will enjoy your new furniture!

OBS!

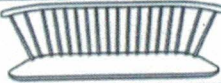


Please be careful when assembling, if screws are tightened too hard (or by screwdriver), damages in the table top may appear. Tighten the screws after some time of using the product.



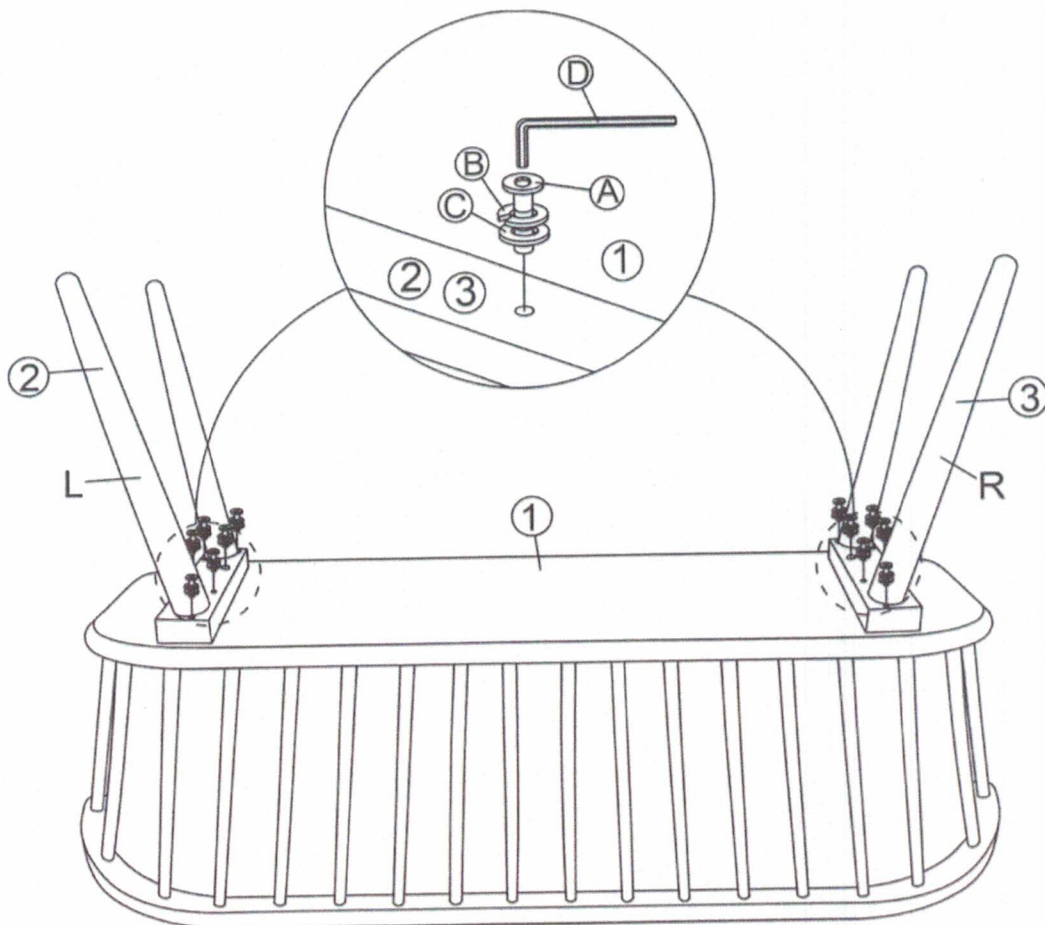
@Venturehomese
@Venture.Design

Venture
home



NO	PARTS LIST		QTY
1	SEAT		1PC
2	CHAIR LEG (L)		1PC
3	CHAIR LEG (R)		1PC

NO	HARDWARE LIST		QTY
A		JCBC M6 x 35mm (R/B)	12PCS
B		SPRING WASHER M6 x 13mm (R/B)	12PCS
C		FLAT WASHER M6 x 13mm (R/B)	12PCS
D		L KEY M4 x 60mm	1PC



Do not tighten screws until all screws have been assembled !