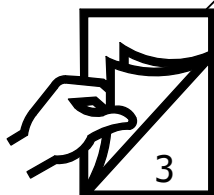
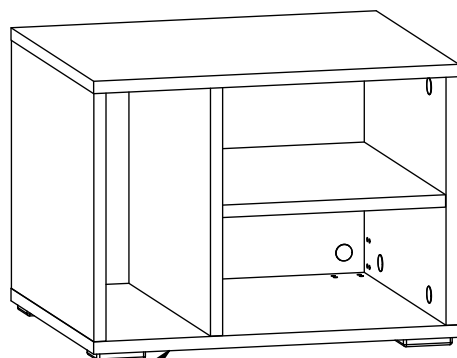


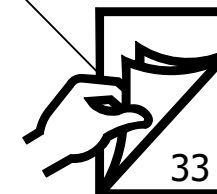
24270322/01
24270322/02



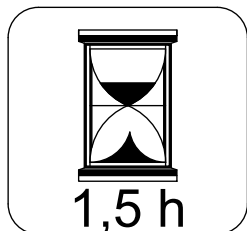
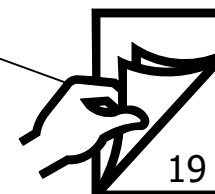
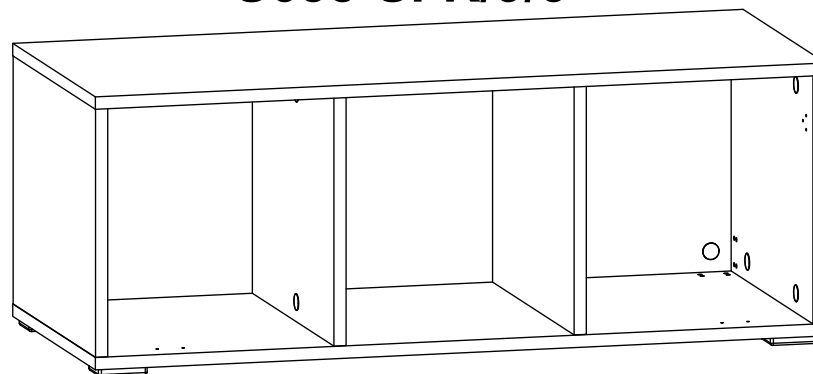
S658-SFK/4/3

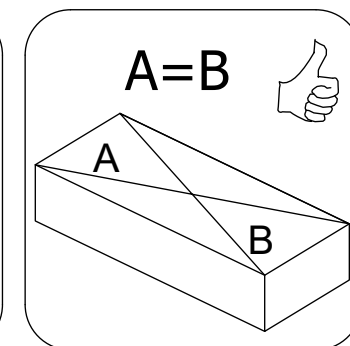
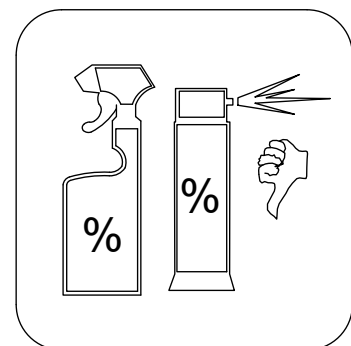
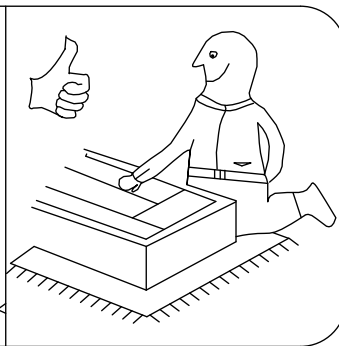
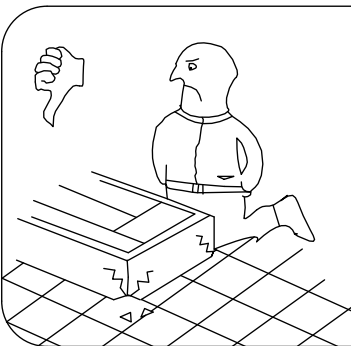
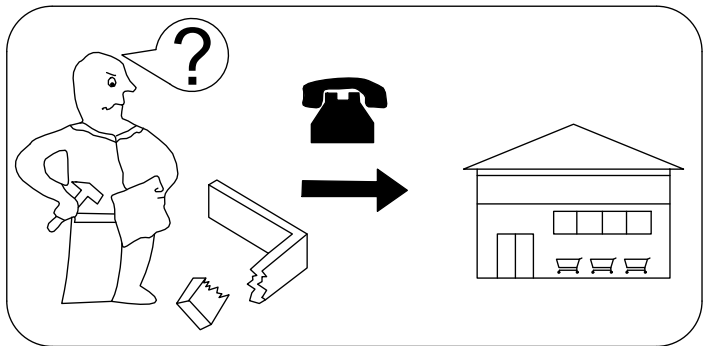
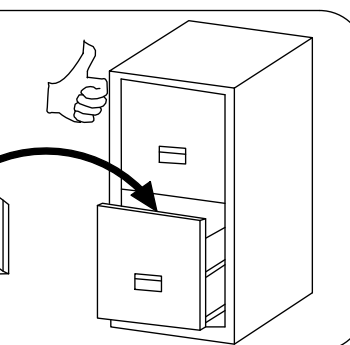
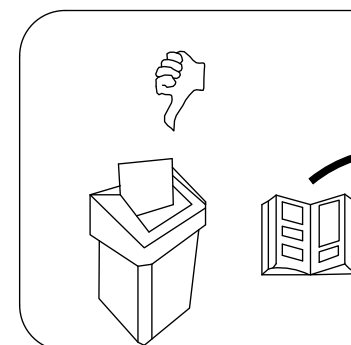
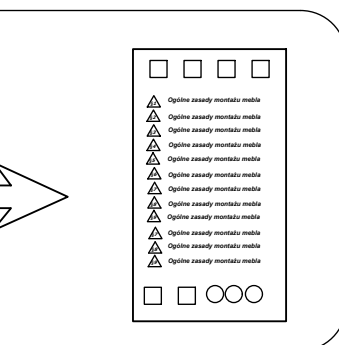
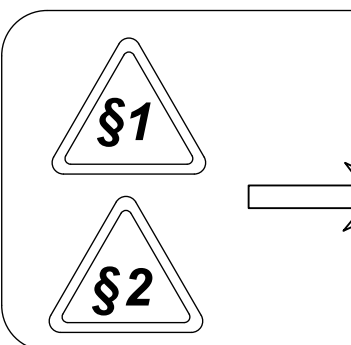
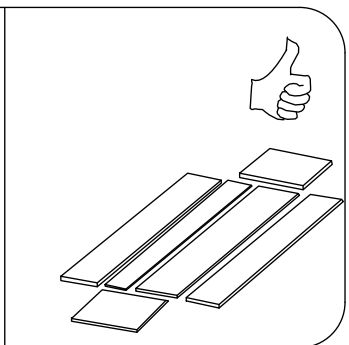
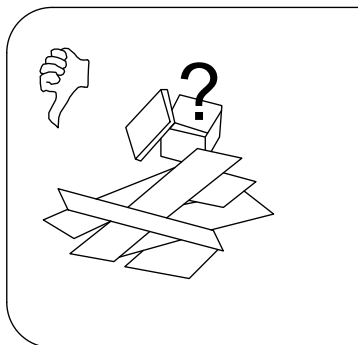
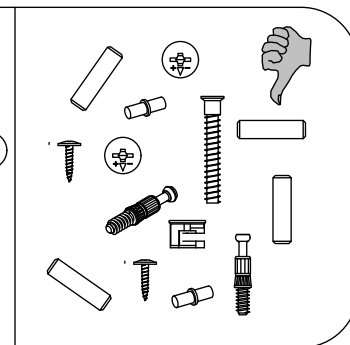
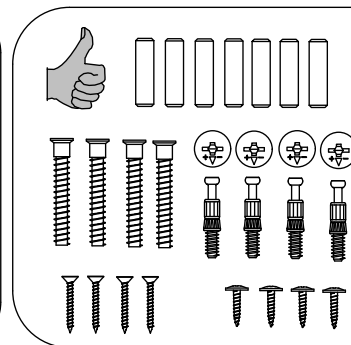
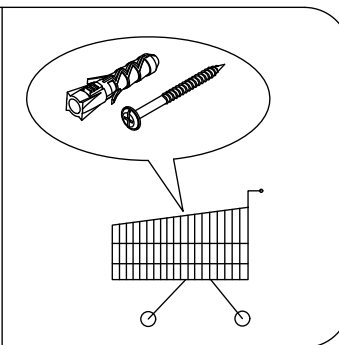
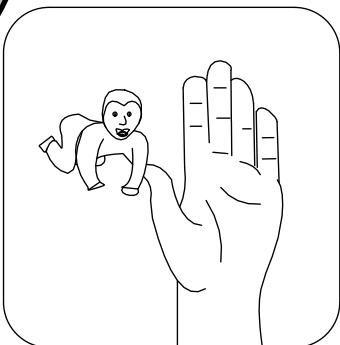
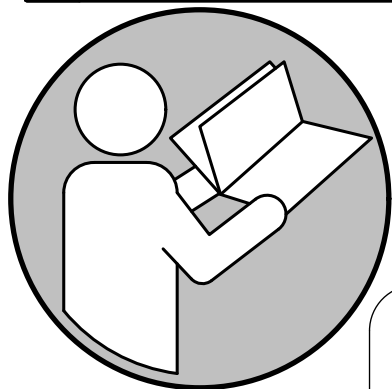


S658-FRN

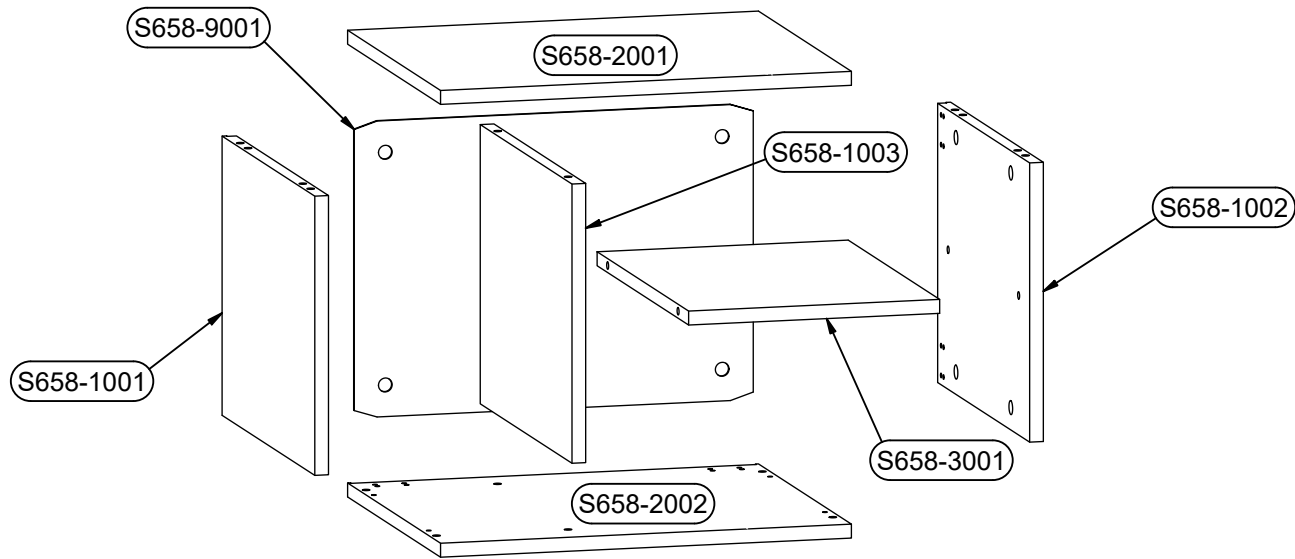


S658-SFK/9/3

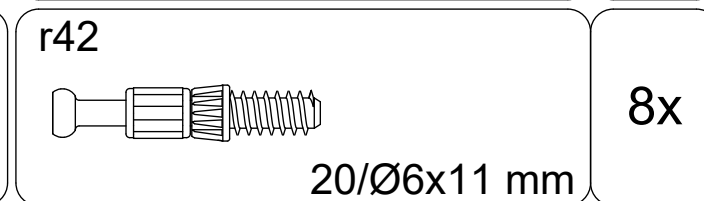
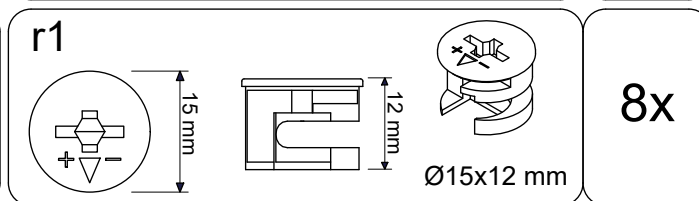
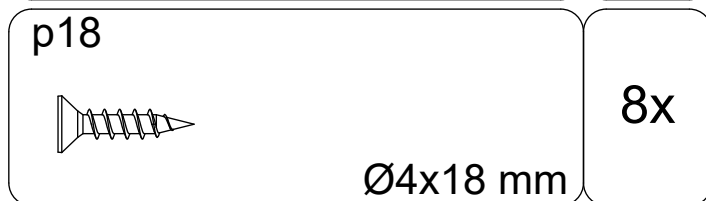
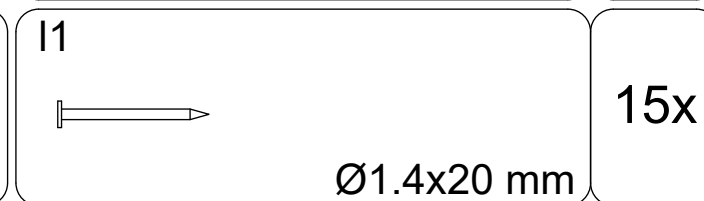
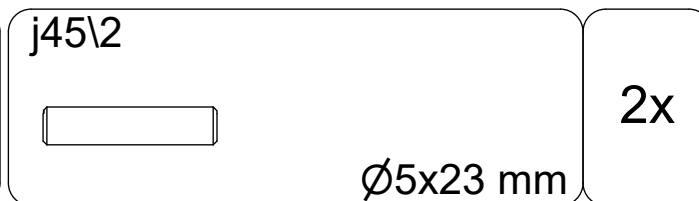
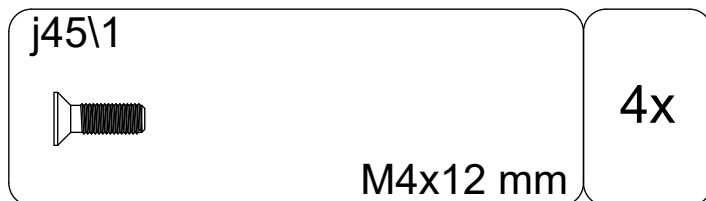
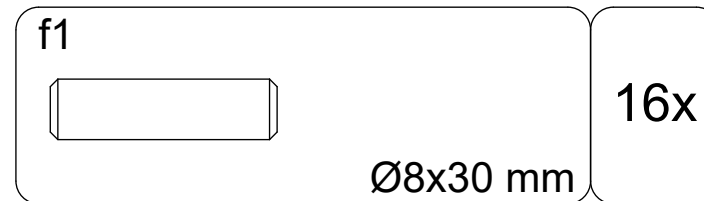
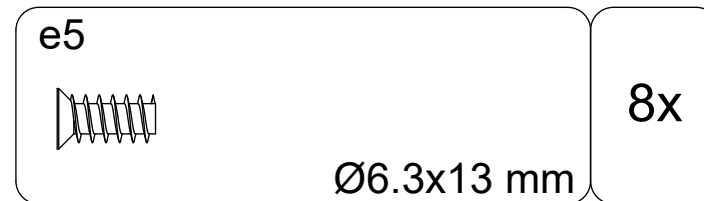
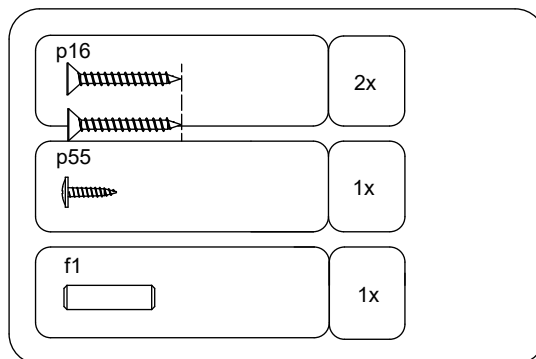
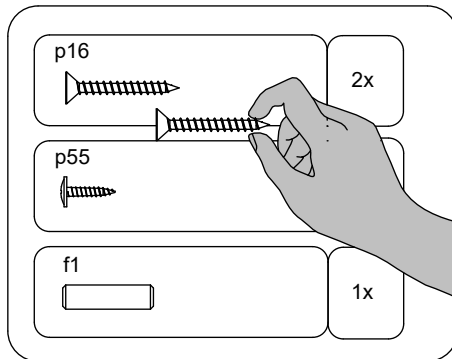




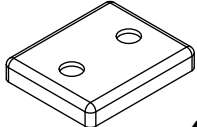
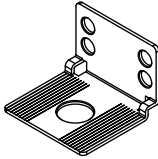
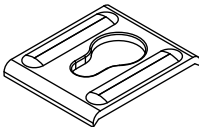
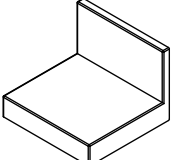
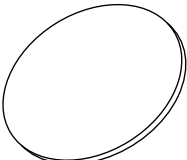
B1	B2	C1	C2	C3	C4	D
S658-1001	-.1	300	379	15	1	1/1
S658-1002	-.1	300	379	15	1	1/1
S658-1003	-.1	300	375	15	1	1/1
S658-2001	-.3	450	380	15	1	1/1
S658-2002	-.3	450	380	15	1	1/1
S658-3001	-.1	275	374	15	1	1/1
S658-9001	-.3	437	318	2,5	1	1/1

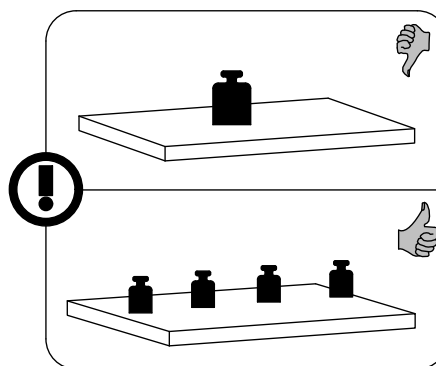
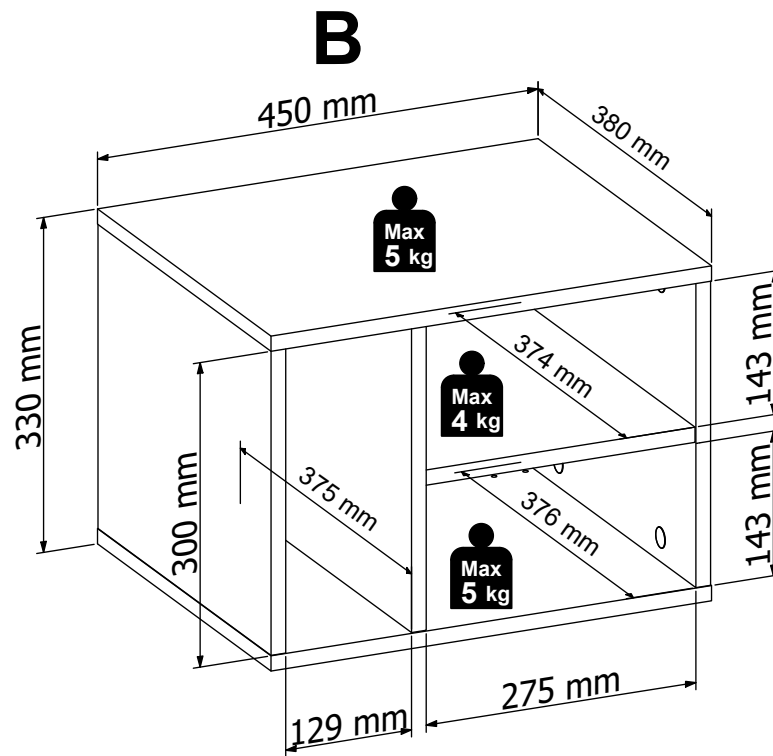
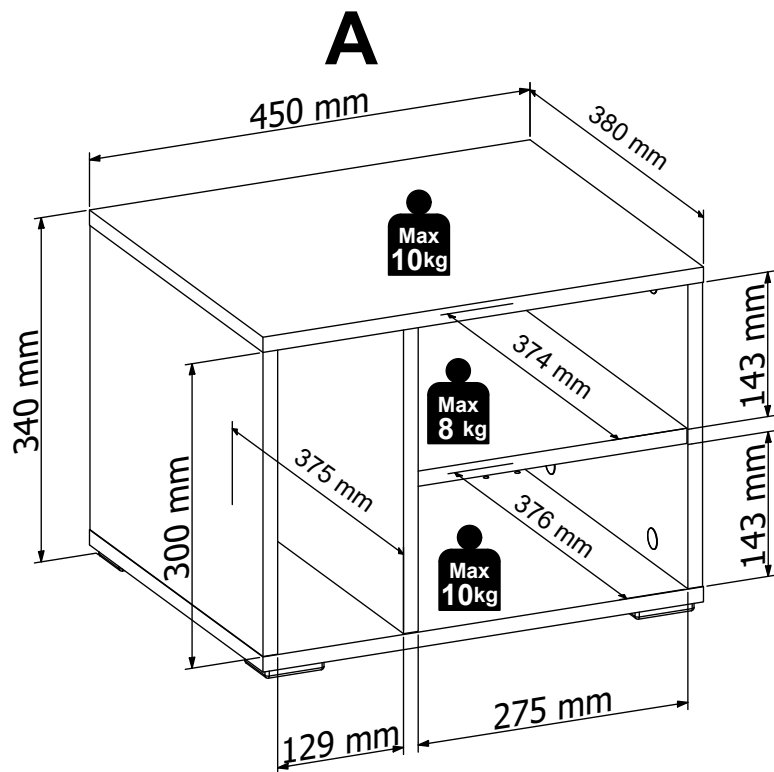


1:1

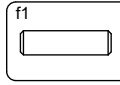
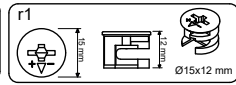


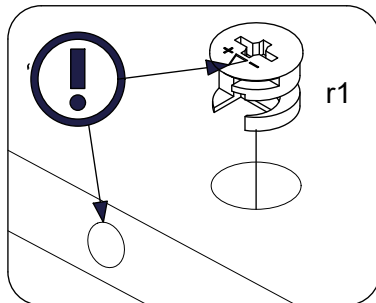
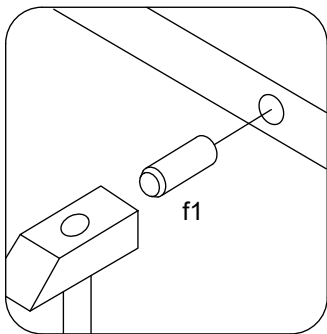
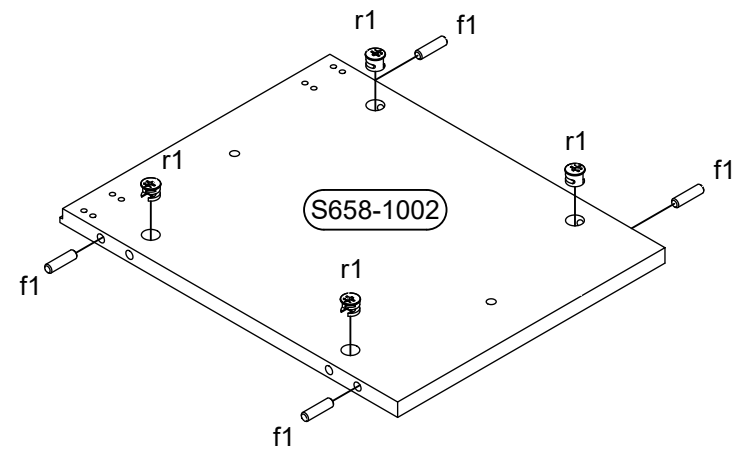
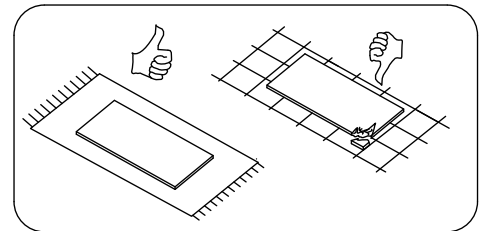
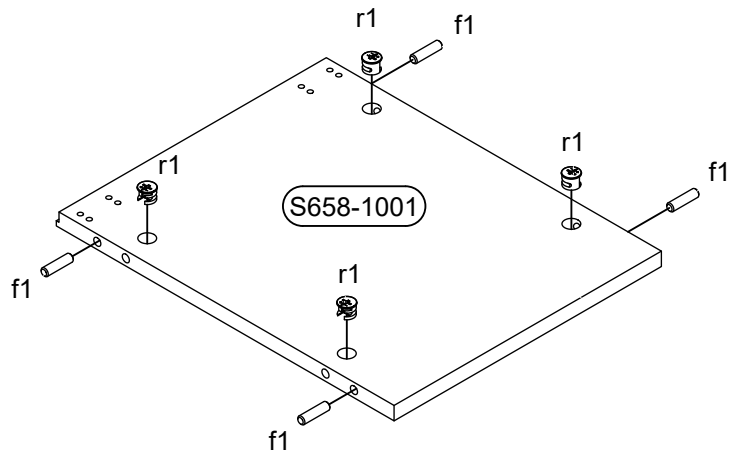
~~1:1~~

k147  49x60 mm	4x	n209\1 	2x	n209\2 	2x
n209\3 	2x	s68  Ø20mm	10x		

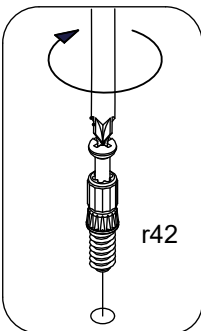
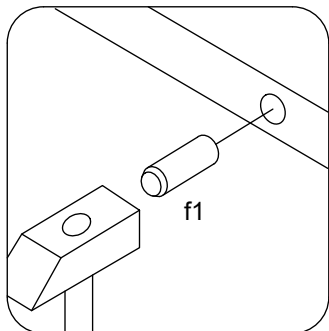
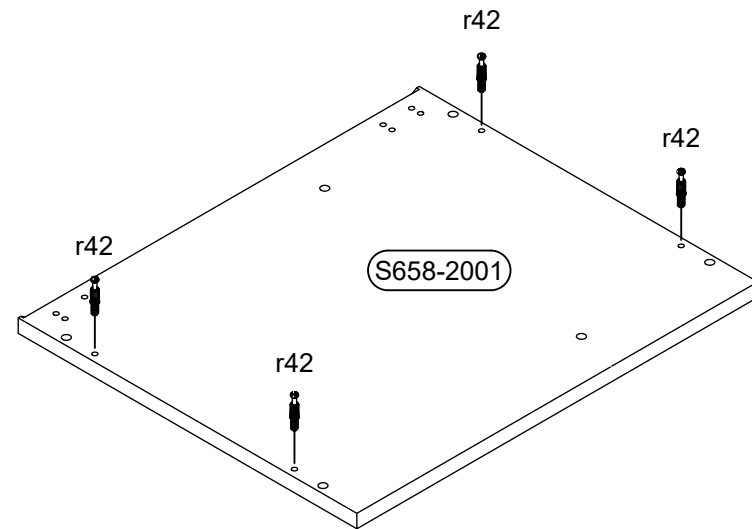
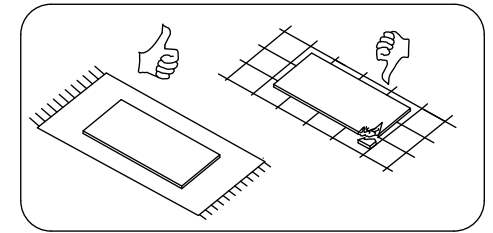
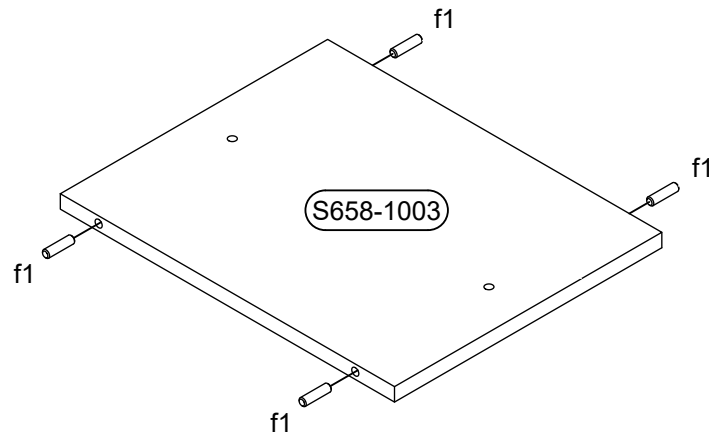
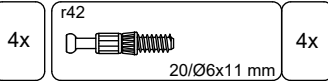
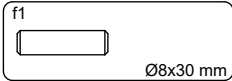


1

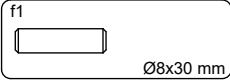
 <p>f1 Ø8x30 mm</p>	<p>8x</p>	 <p>r1 Ø15x12 mm</p>	<p>8x</p>
--	-----------	---	-----------



2



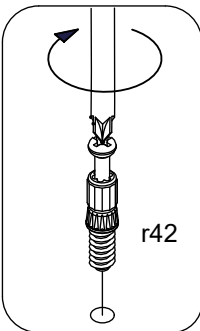
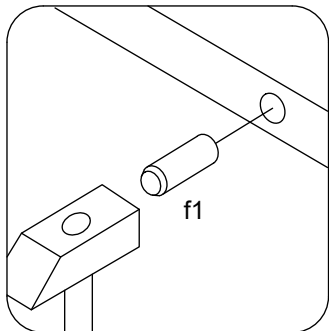
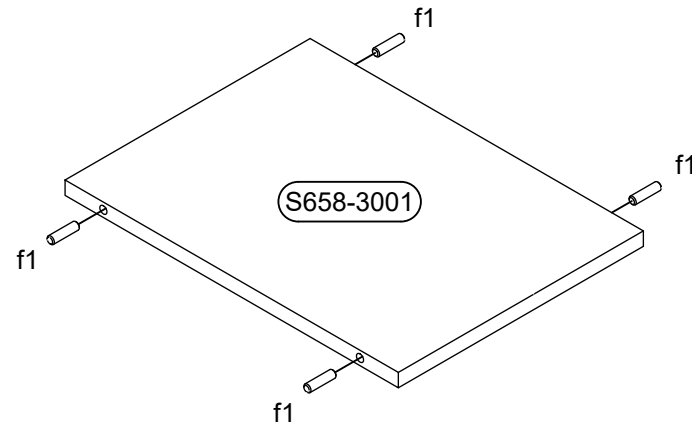
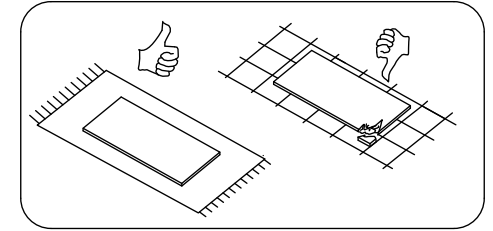
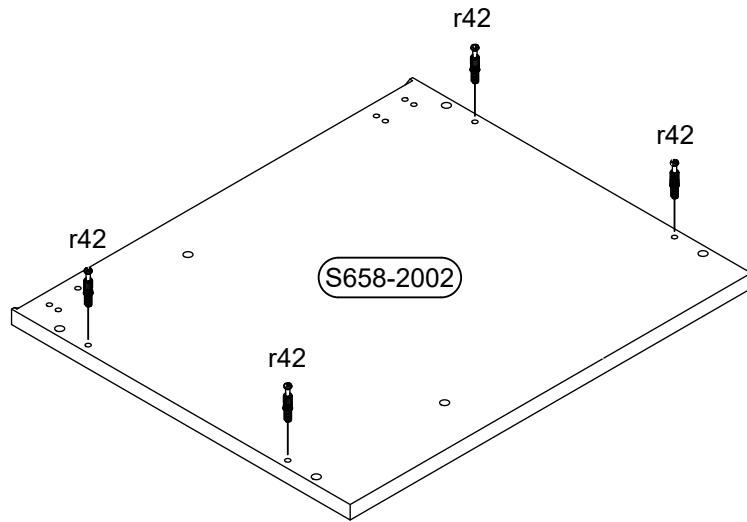
3



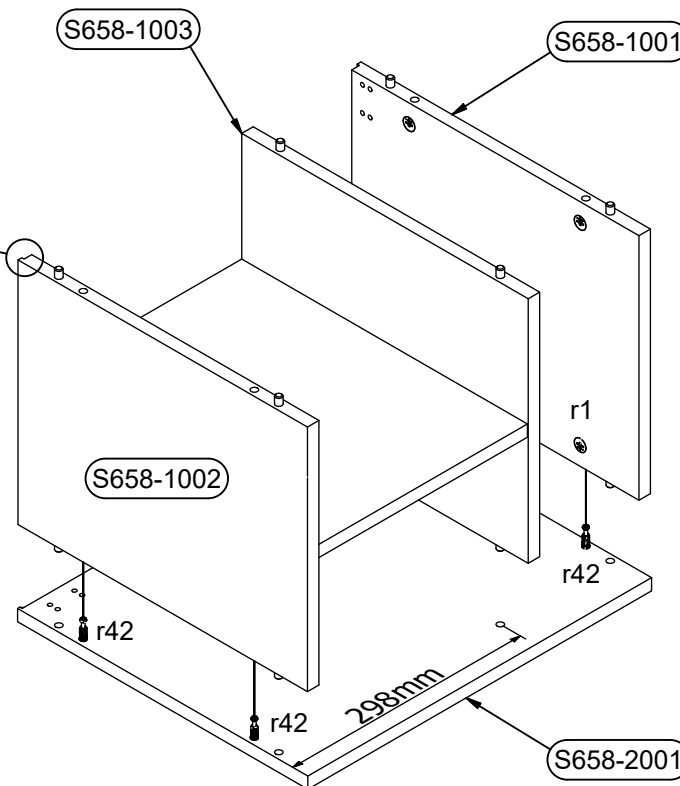
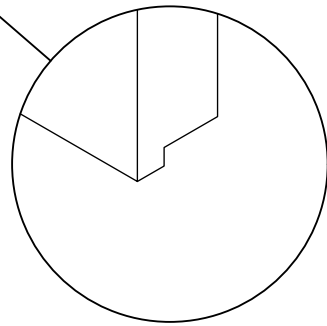
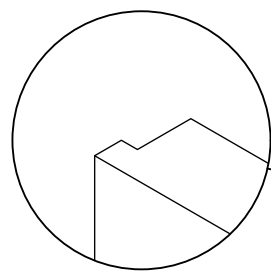
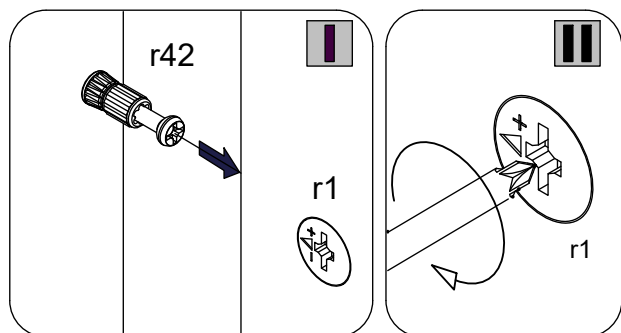
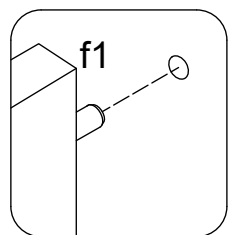
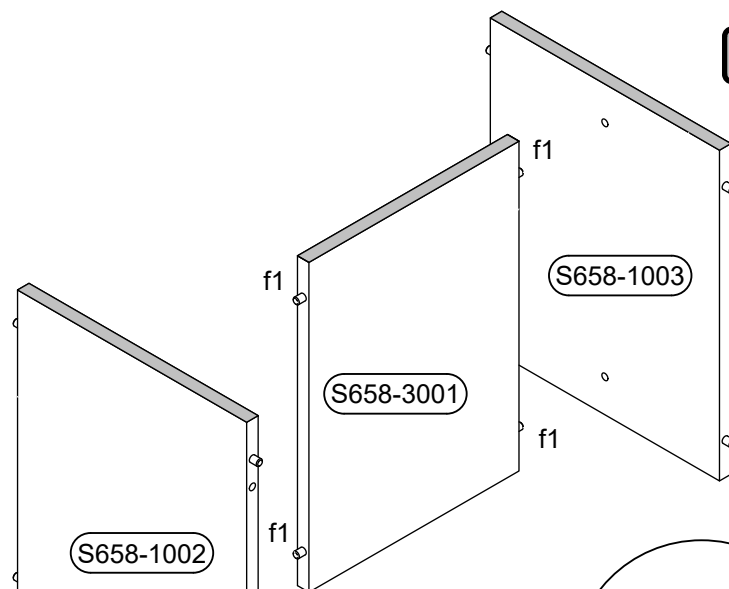
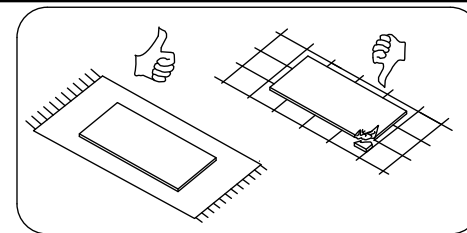
4x



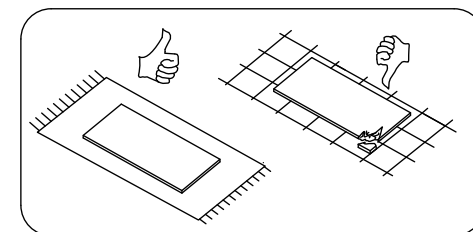
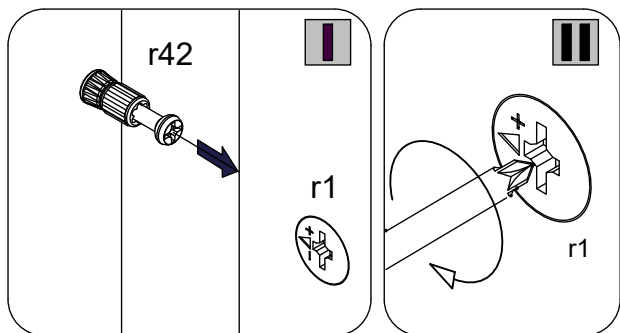
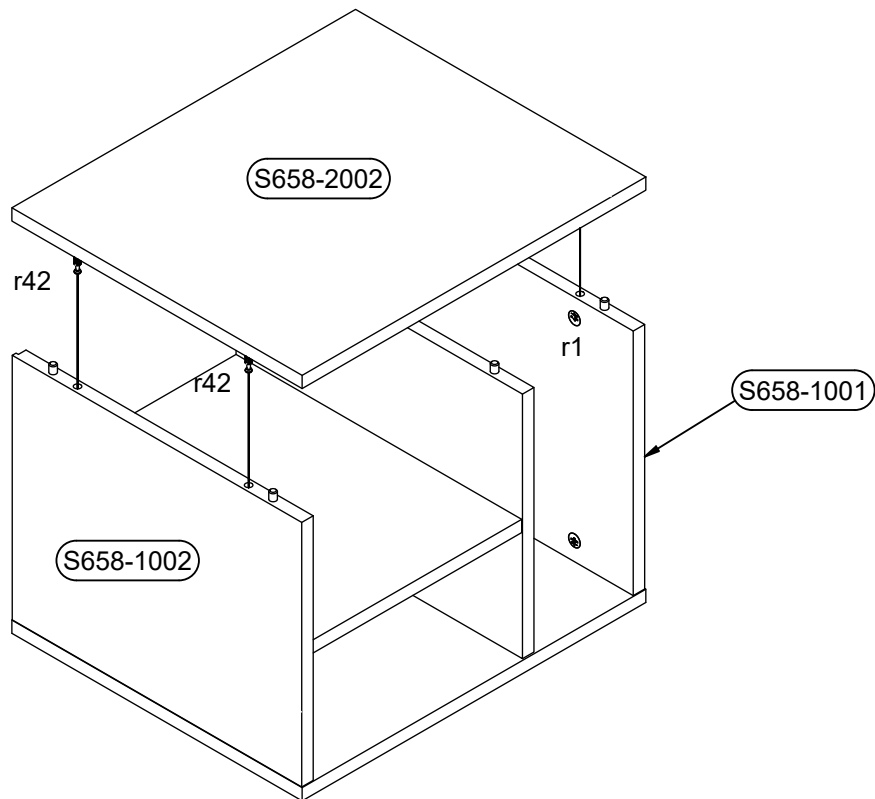
4x



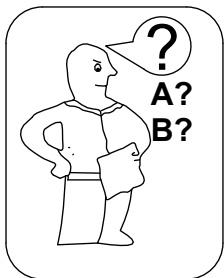
4



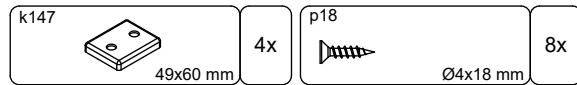
5



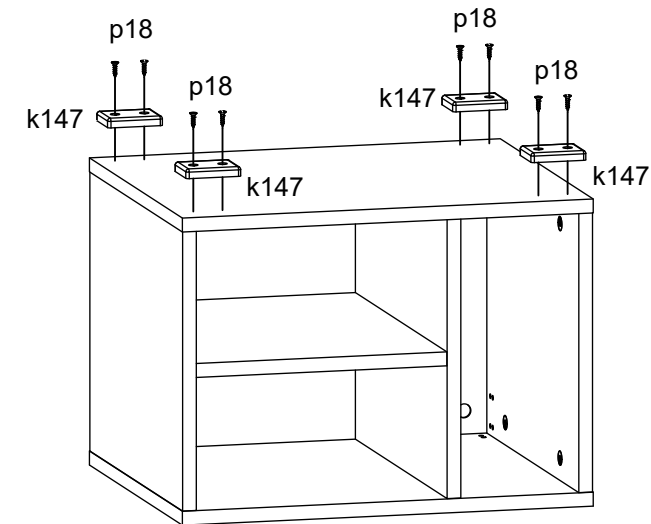
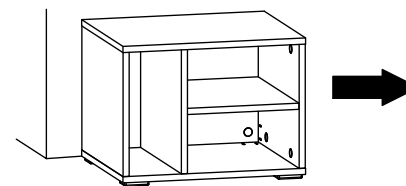
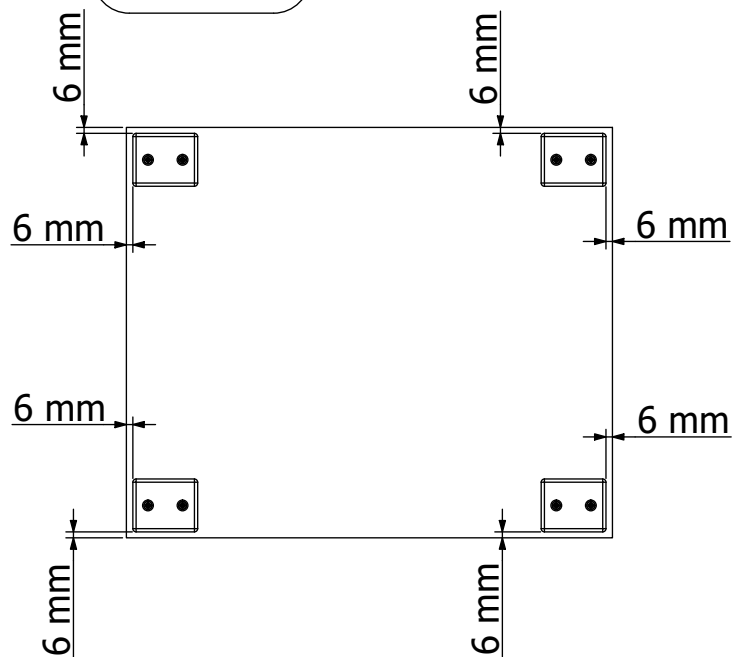
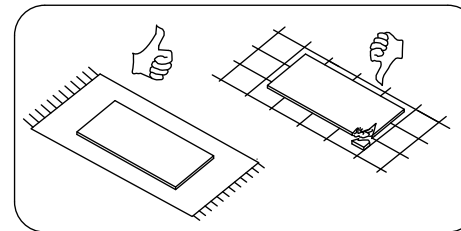
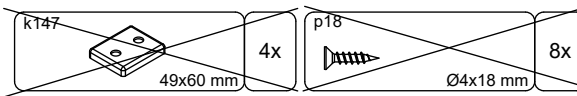
7



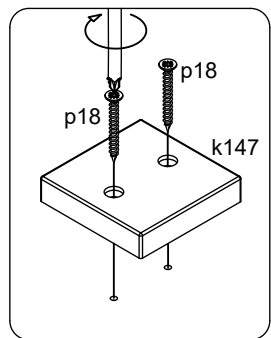
A



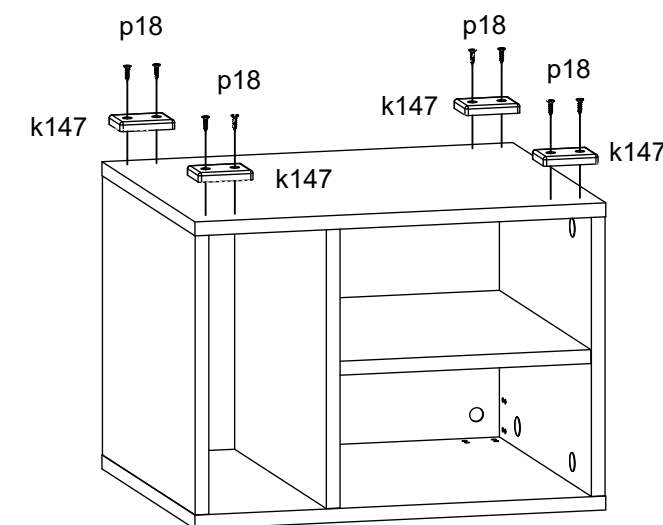
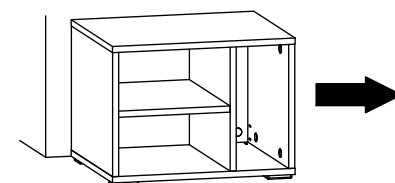
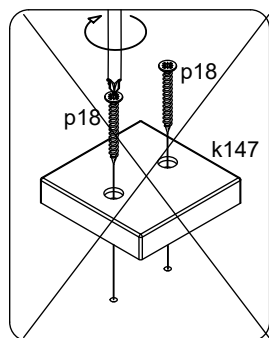
B



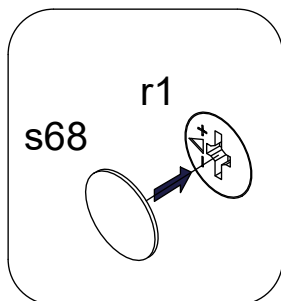
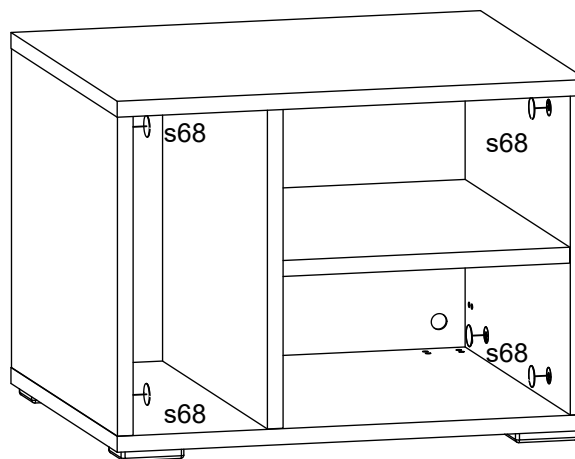
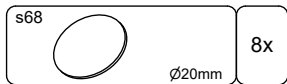
A



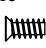
B




8

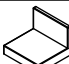



9 A

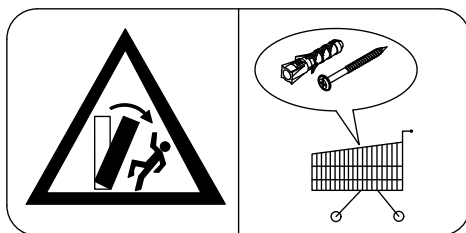
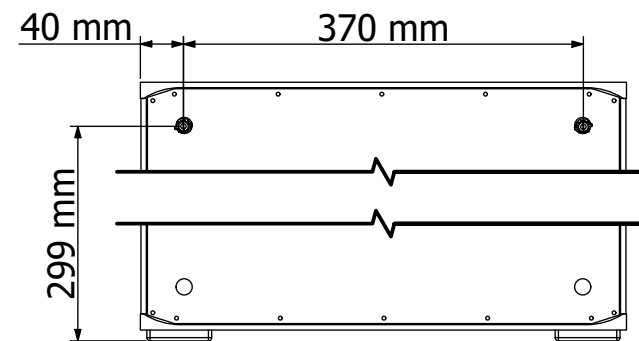
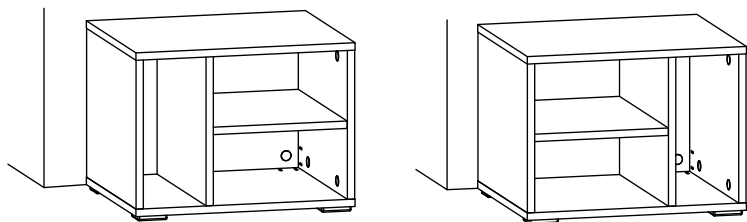
e5  8x
Ø6.3x13 mm

n209\1  2x

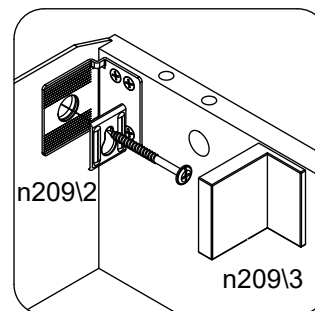
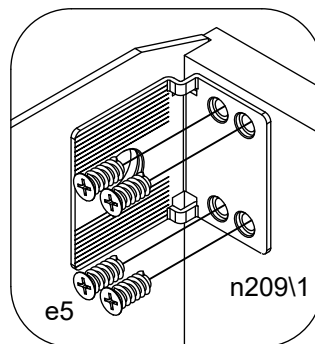
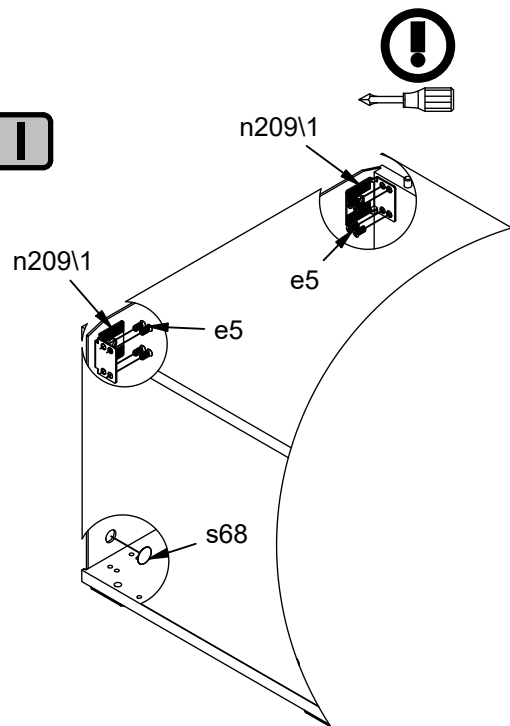
n209\2  2x

n209\3  2x

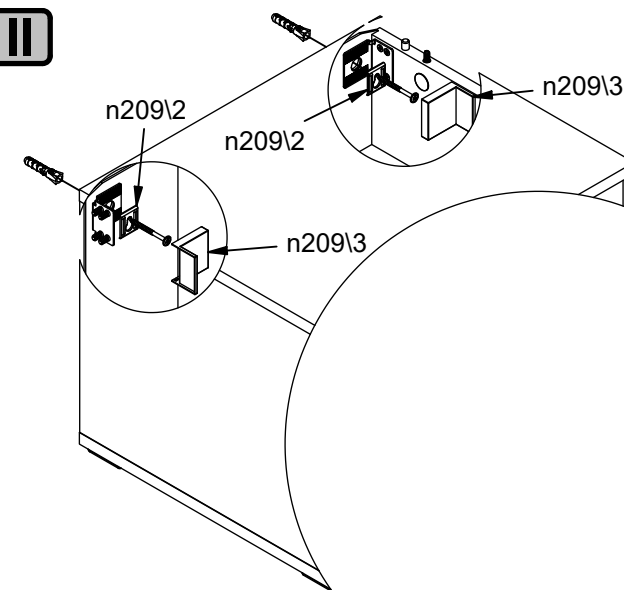
s68  2x
Ø20mm



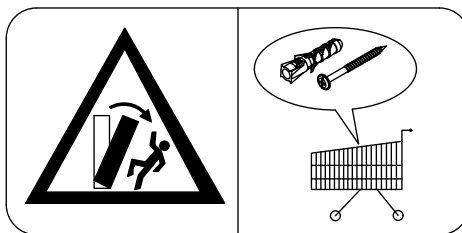
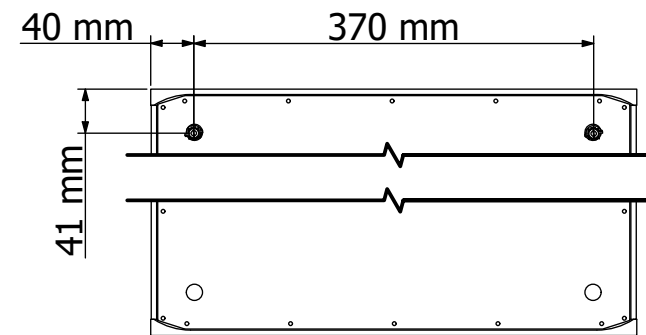
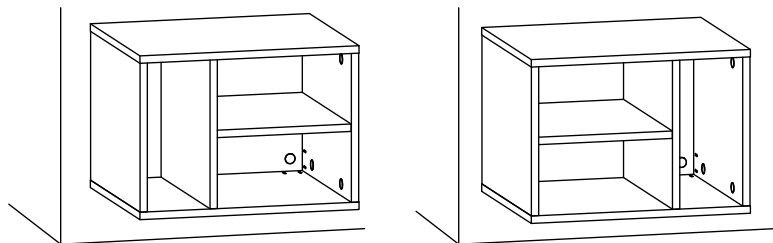
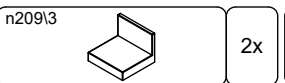
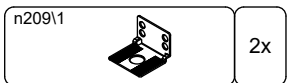
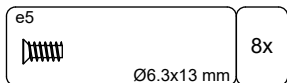
I



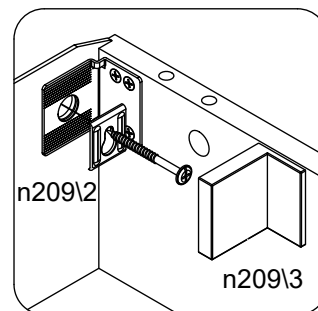
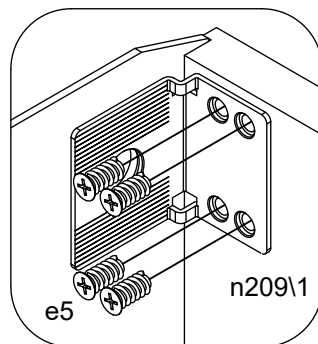
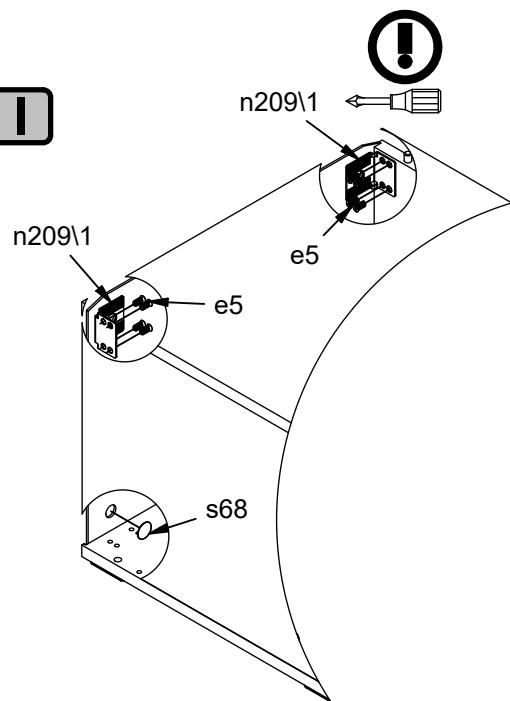
II



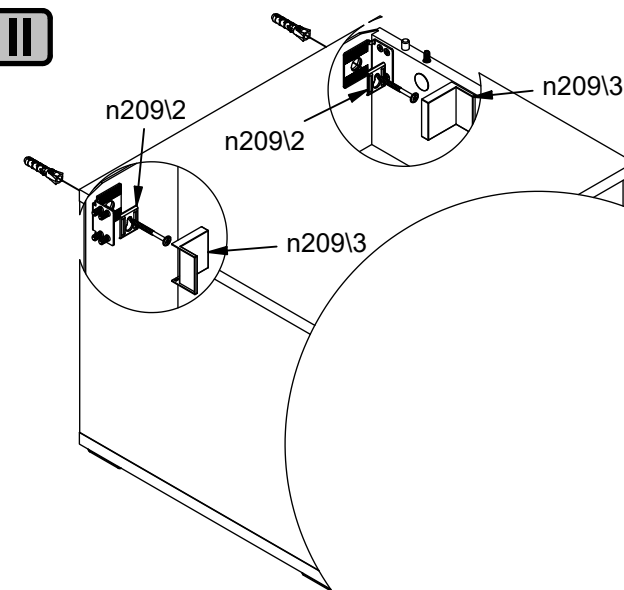
9 B



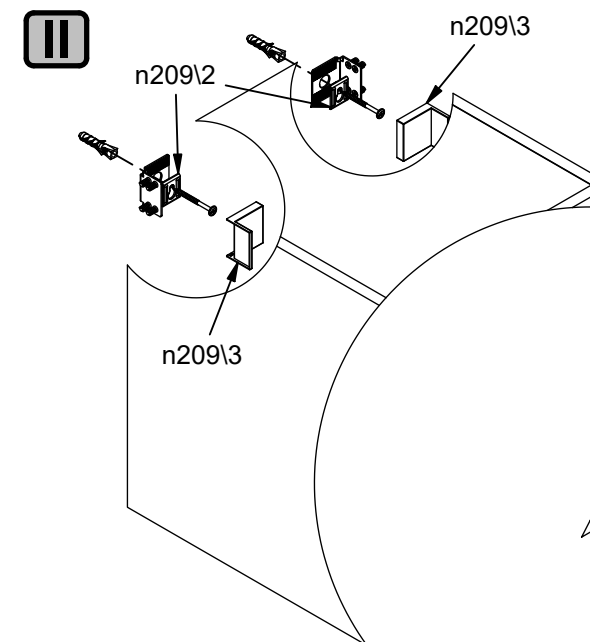
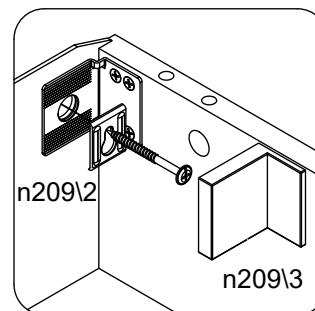
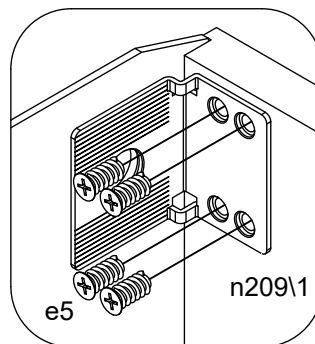
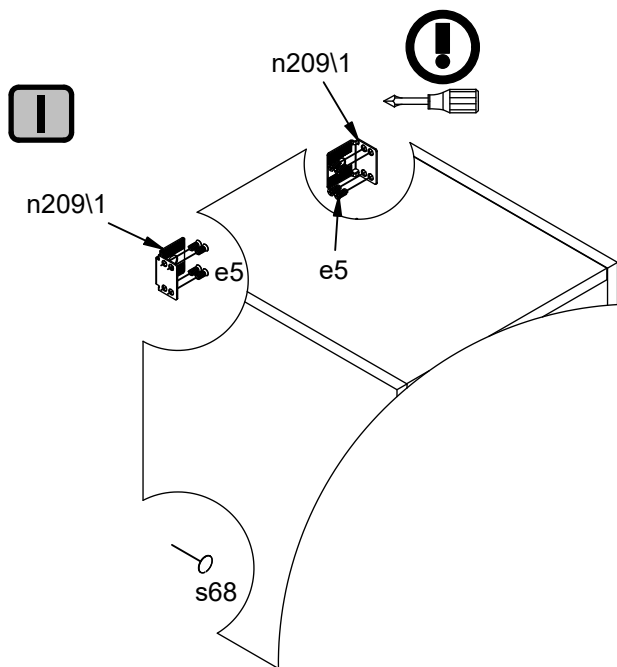
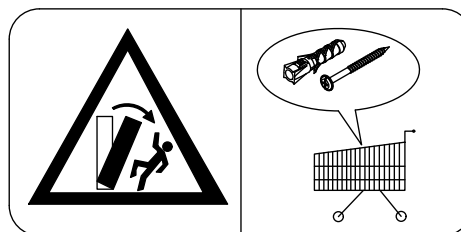
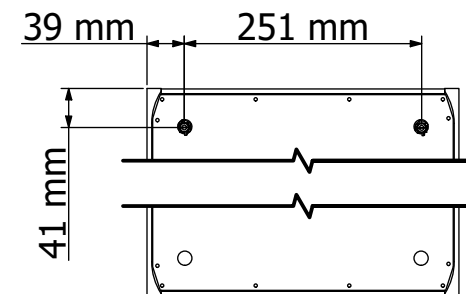
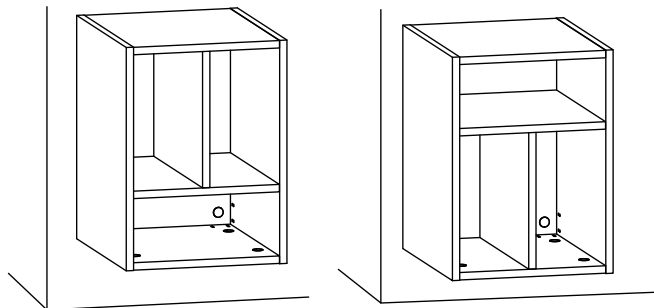
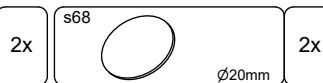
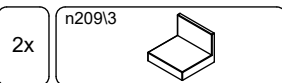
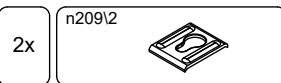
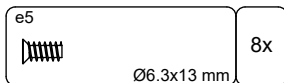
I





II

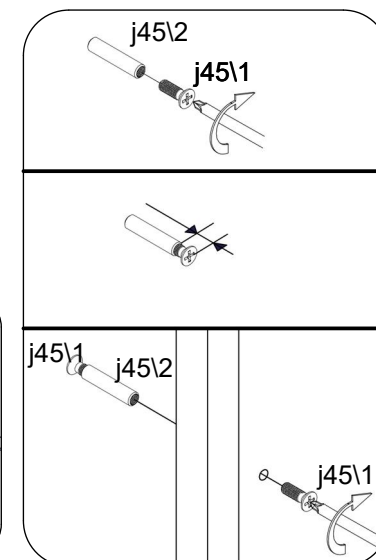
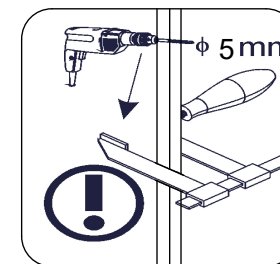
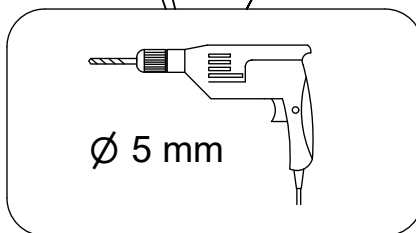
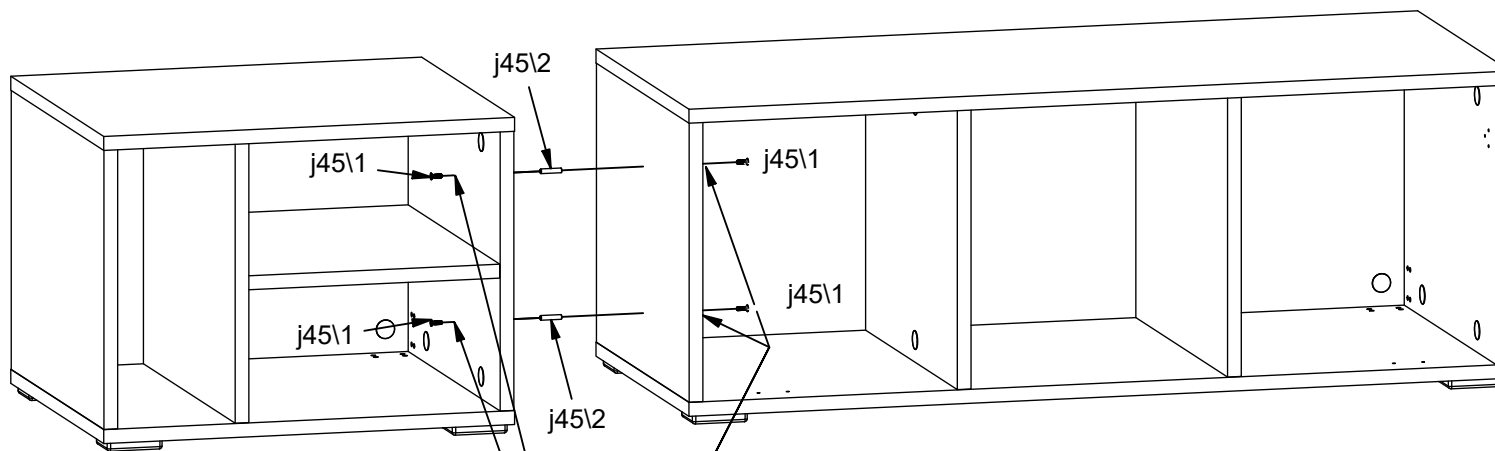


9C

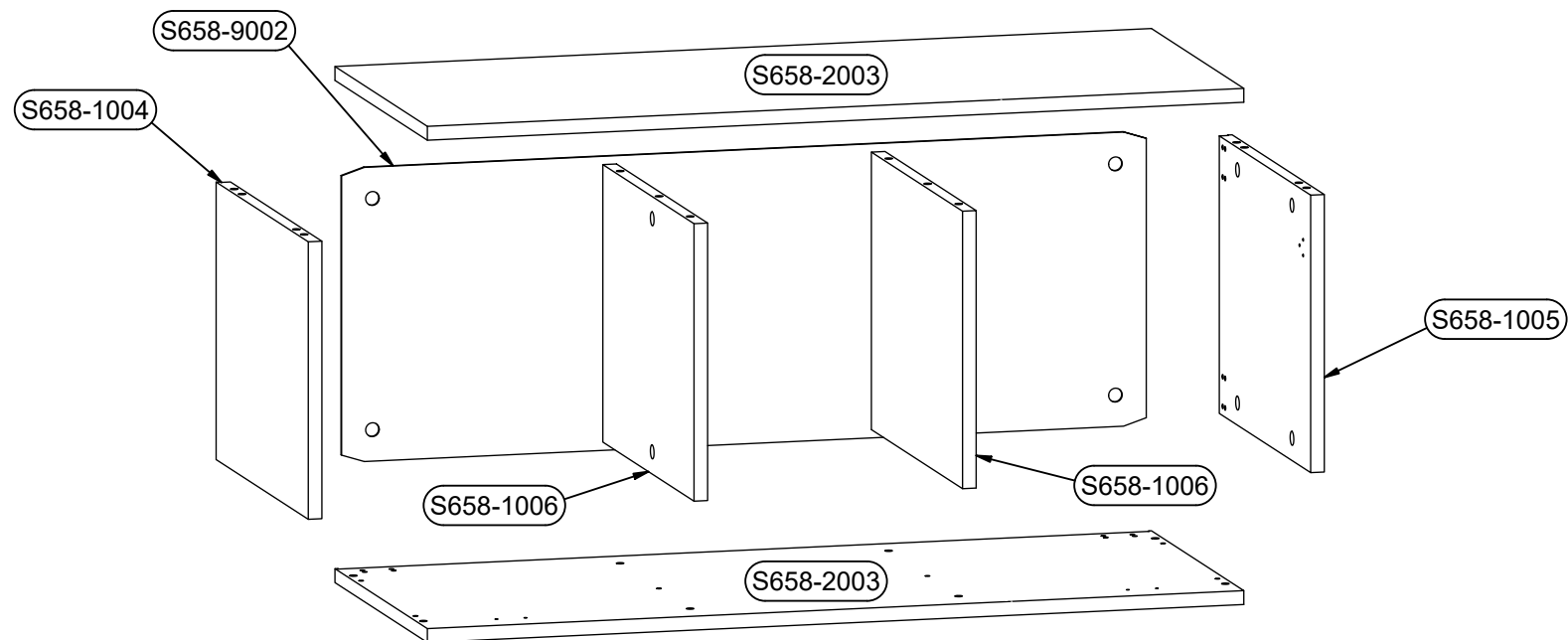


10

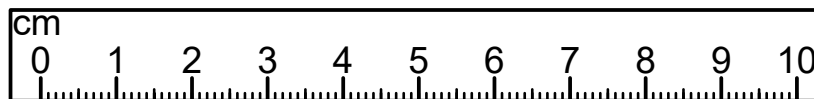
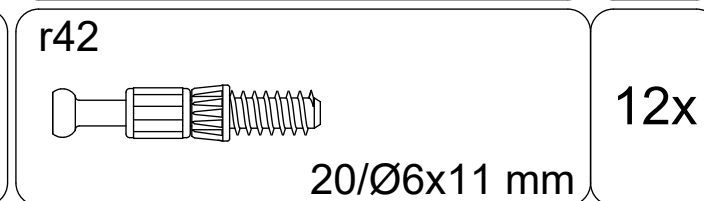
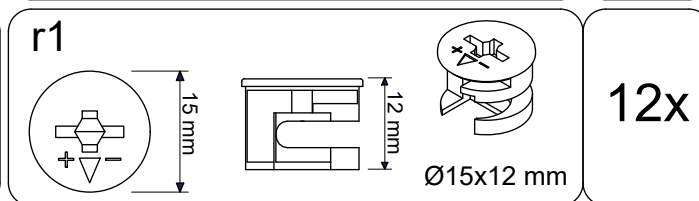
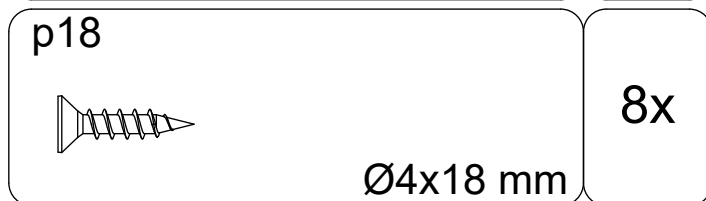
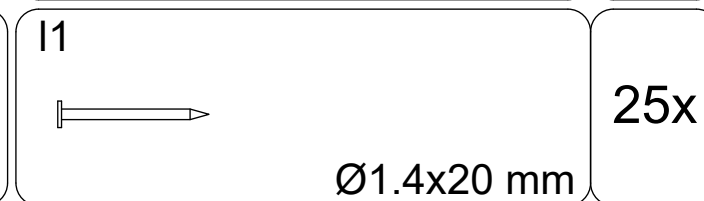
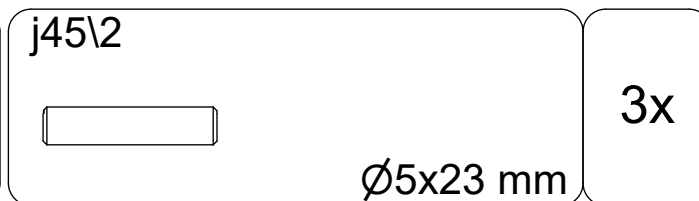
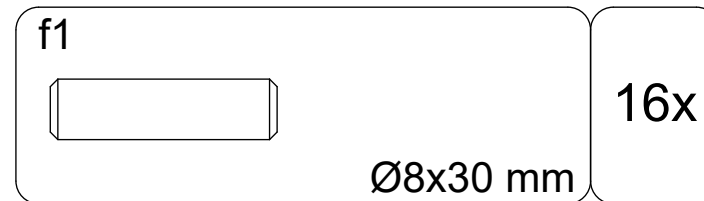
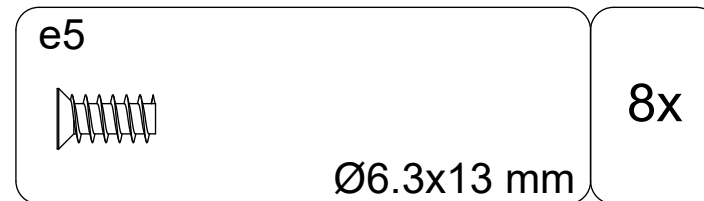
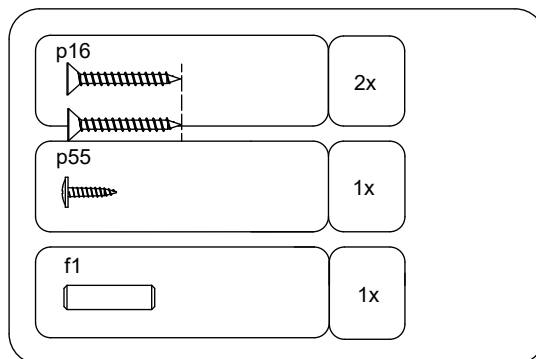
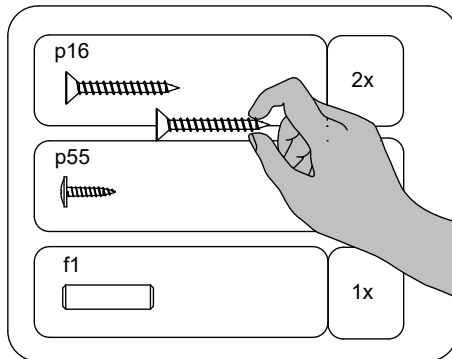
j45\1		M4x12 mm	4x	j45\2		Ø5x23 mm	2x
-------	---	----------	----	-------	---	----------	----



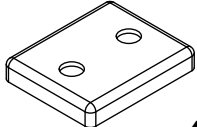
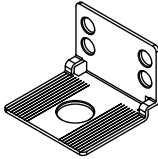
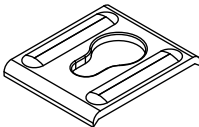
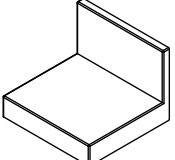
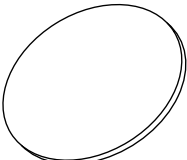
B1	B2	C1	C2	C3	C4	D
S658-1004	-.1	300	379	15	1	1/1
S658-1005	-.1	300	379	15	1	1/1
S658-1006	-.1	300	375	15	2	1/1
S658-2002	-.3	450	380	15	1	1/1
S658-2003	-.3	900	380	15	2	1/1
S658-9002	-.3	887	318	2,5	1	1/1



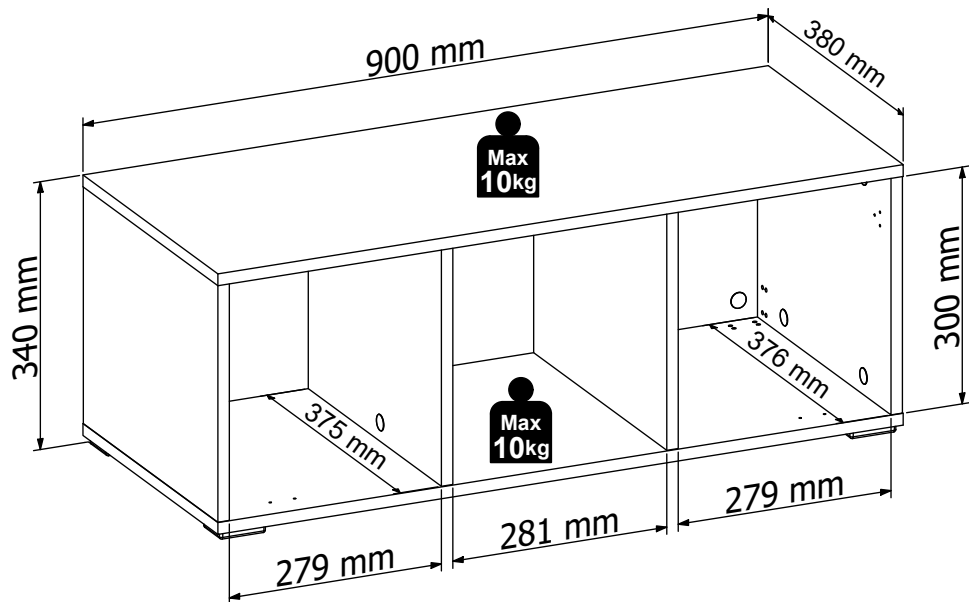
1:1



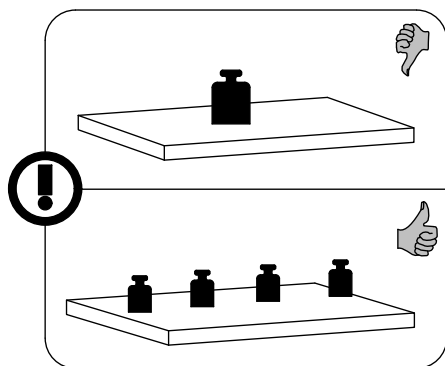
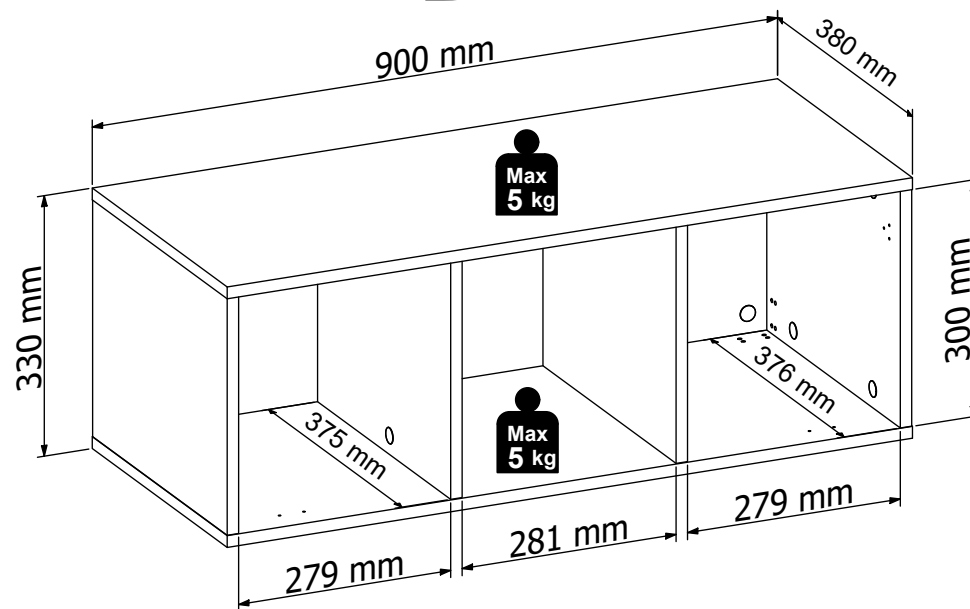
~~1:1~~

k147  49x60 mm	4x	n209\1 	2x	n209\2 	2x
n209\3 	2x	s68  Ø20mm	14x		

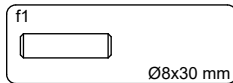
A



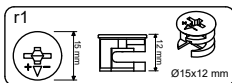
B



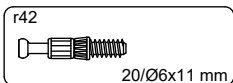
1



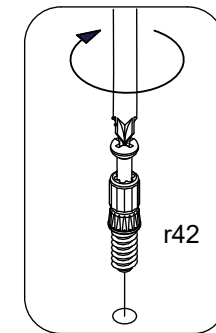
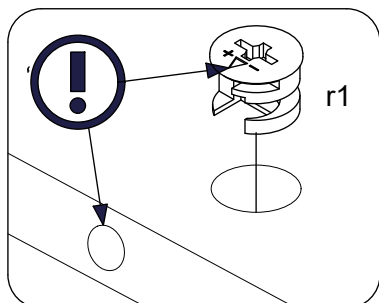
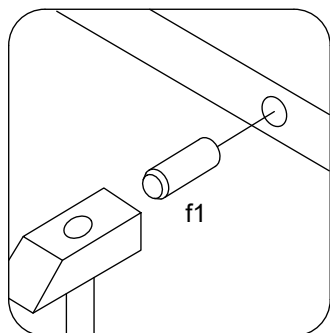
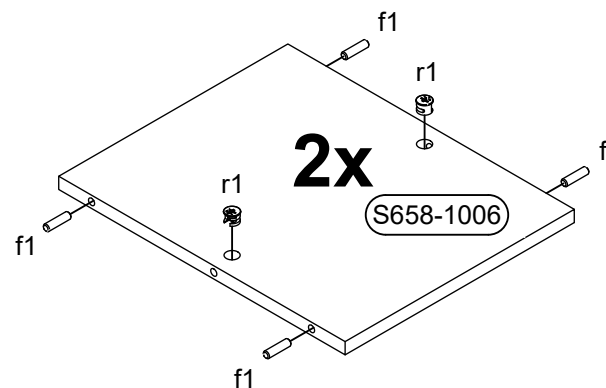
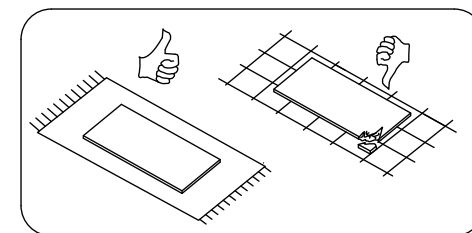
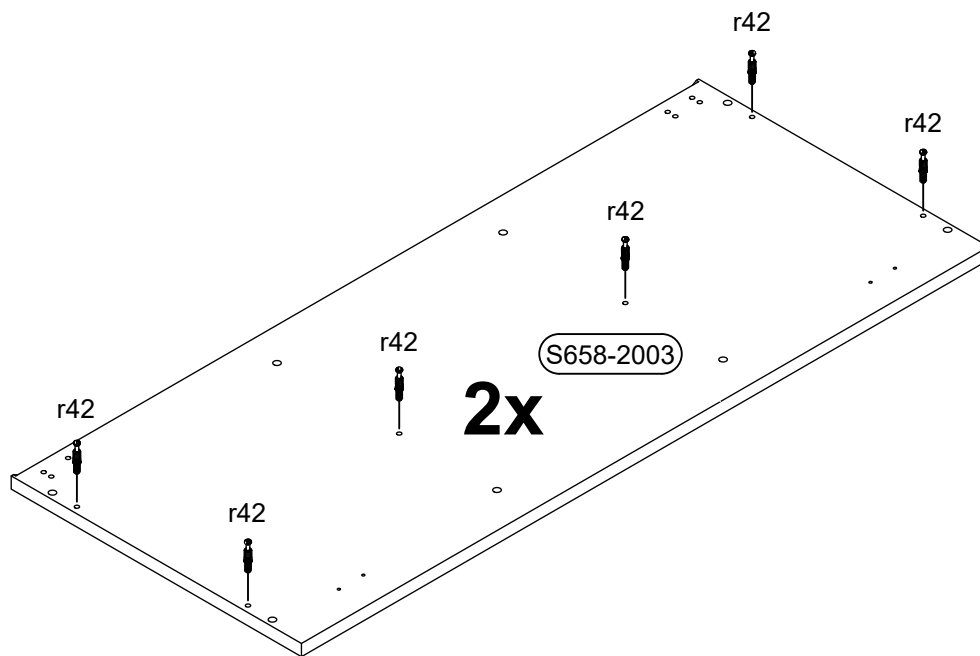
8x



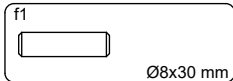
4x



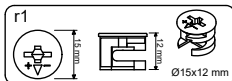
12x



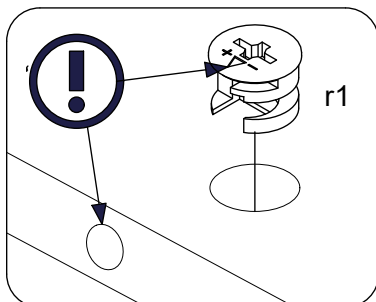
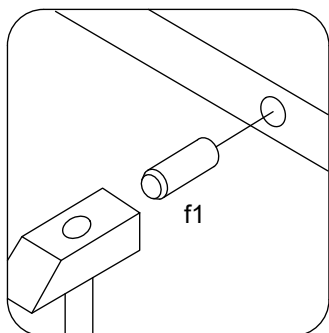
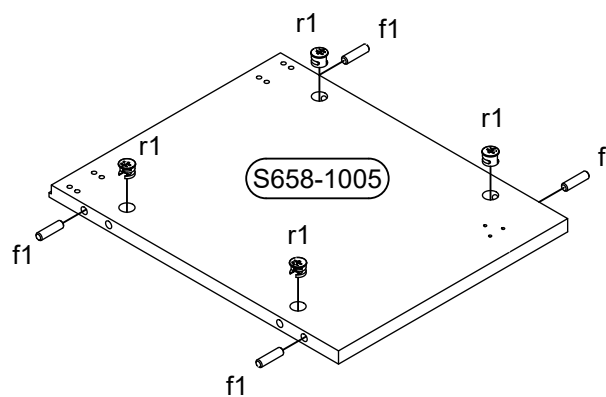
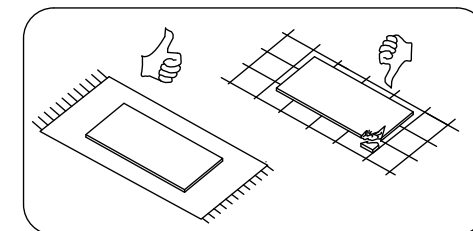
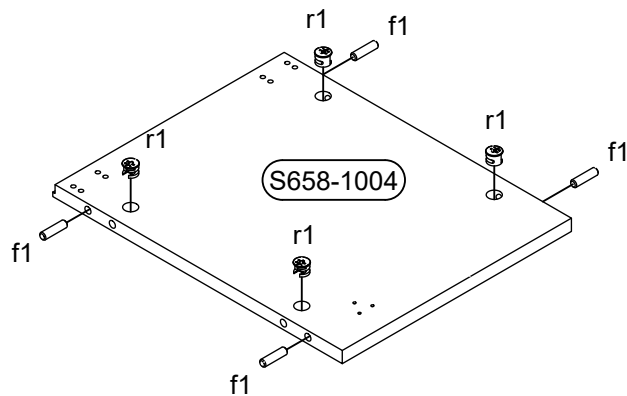
2



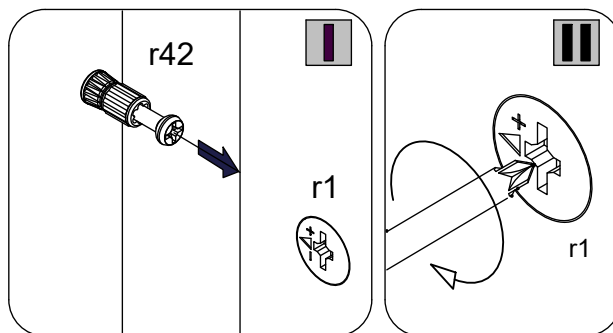
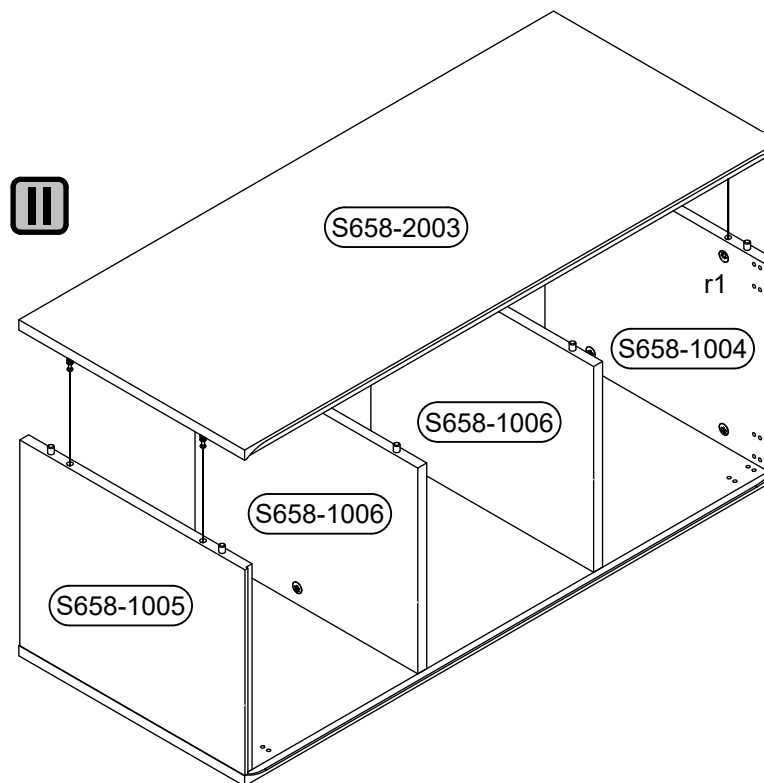
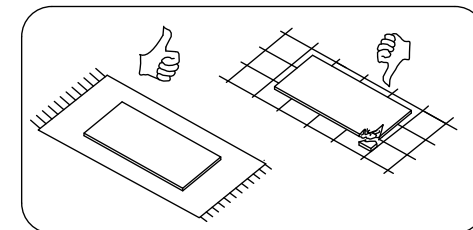
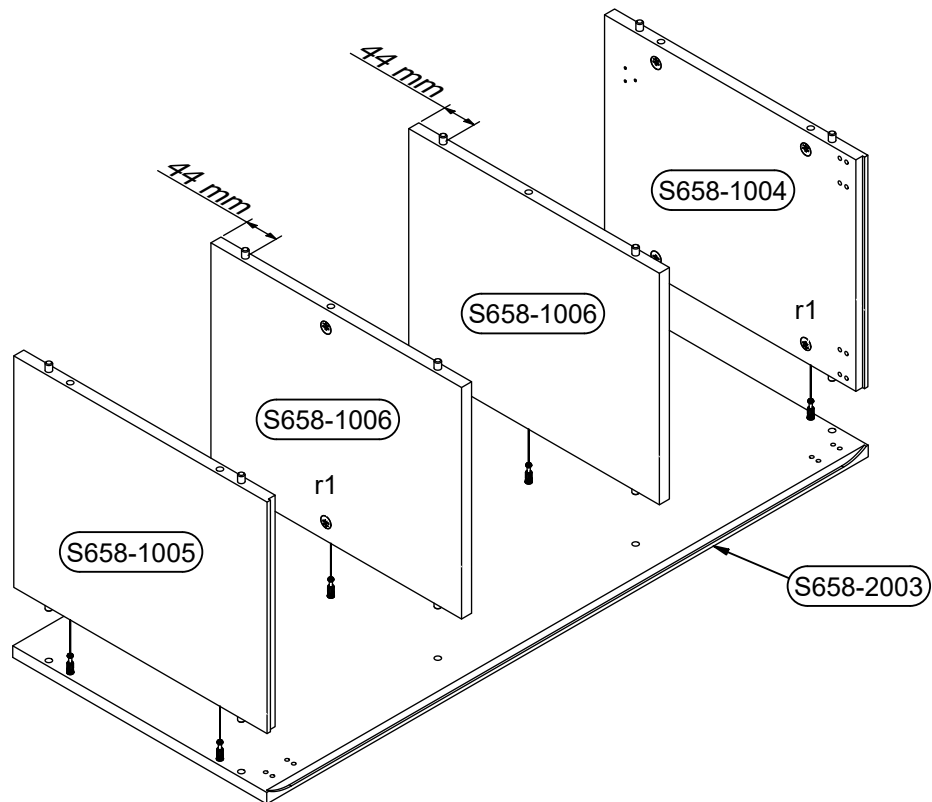
8x



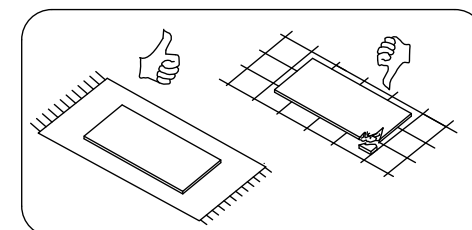
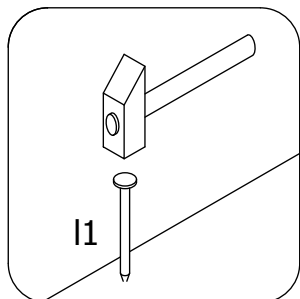
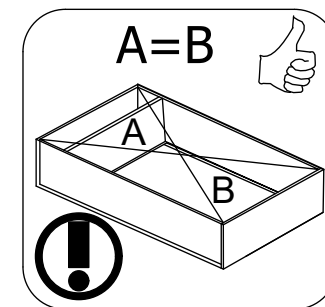
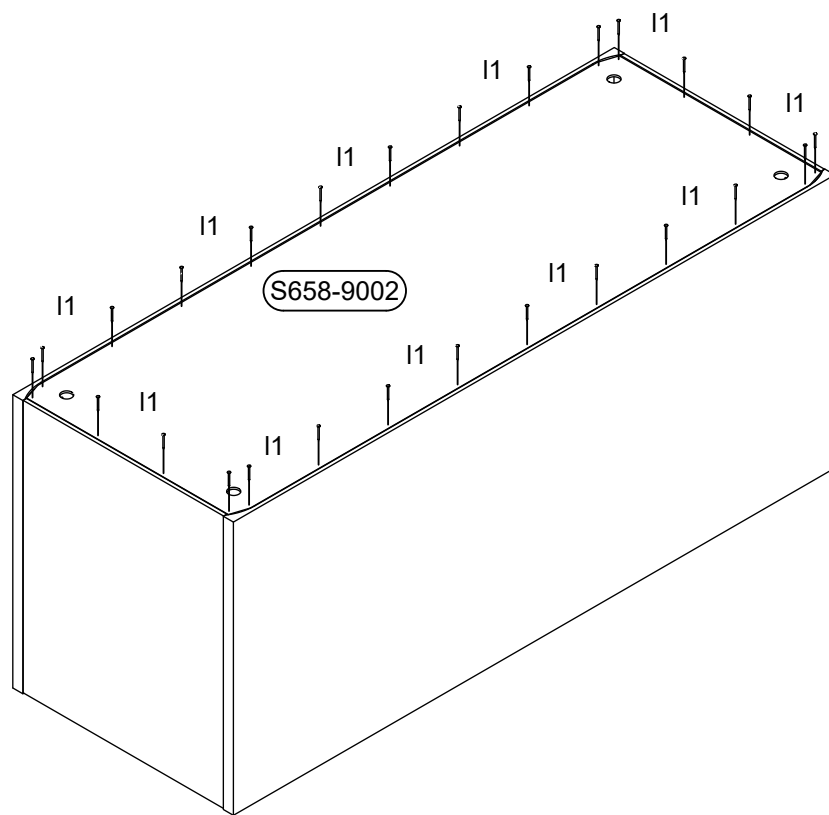
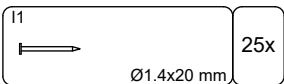
8x



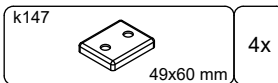
3



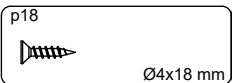
4



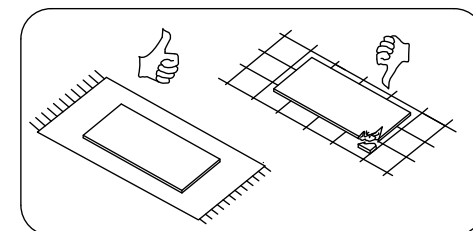
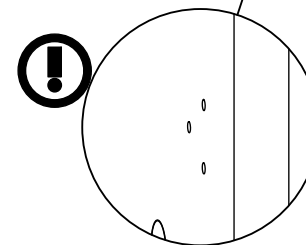
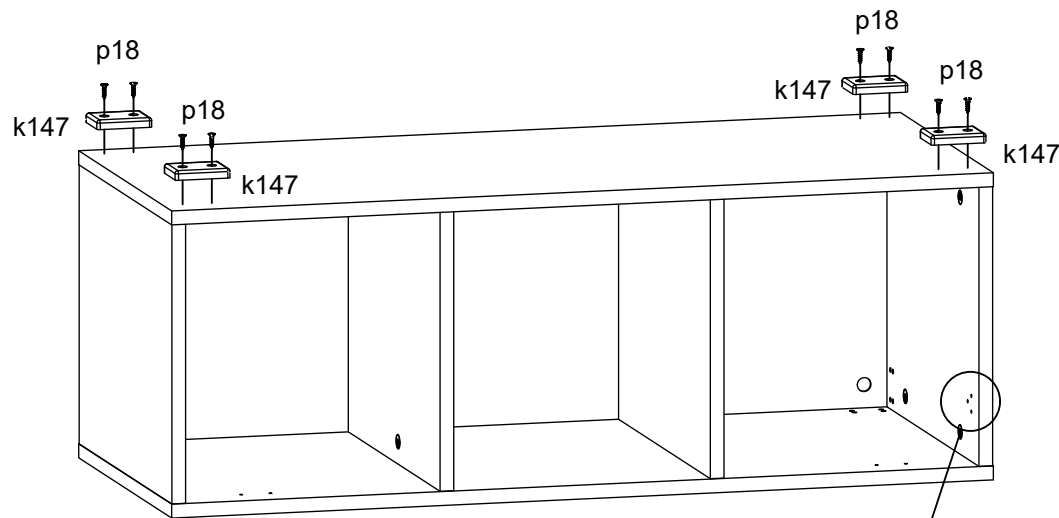
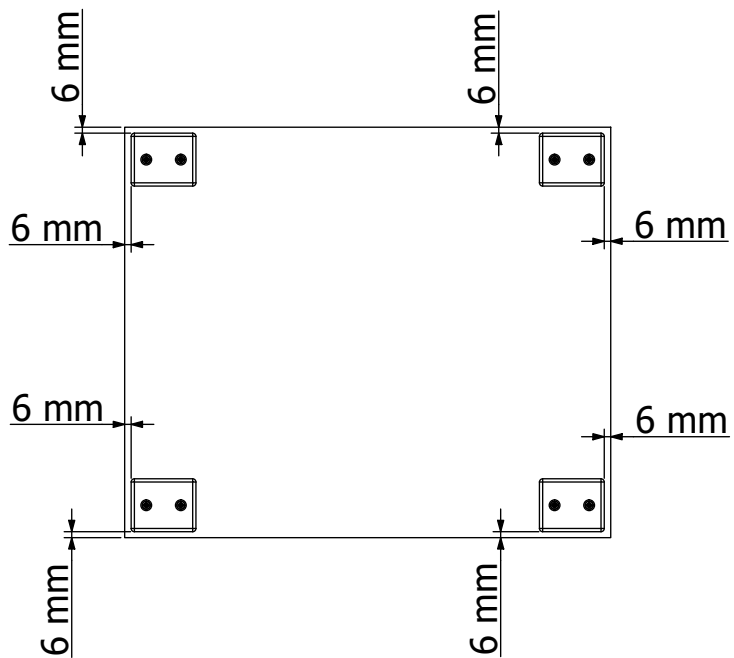
5A



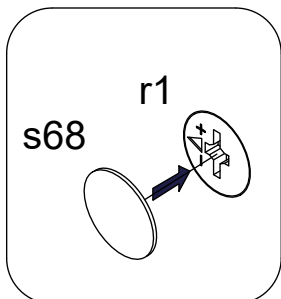
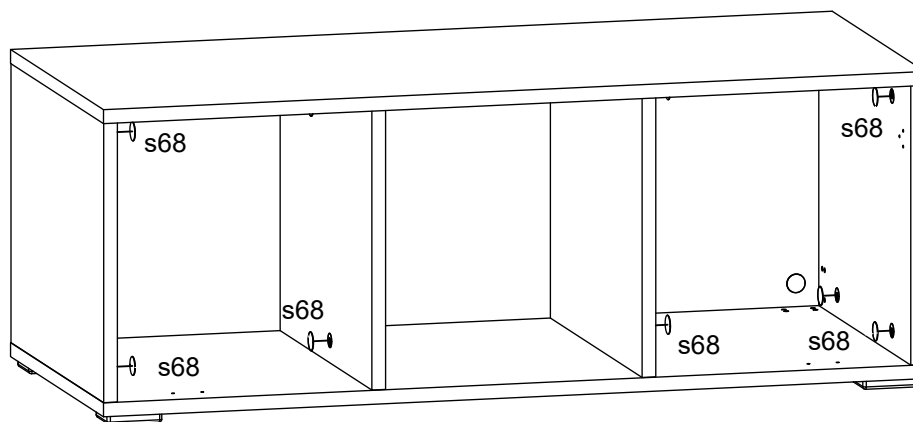
4x



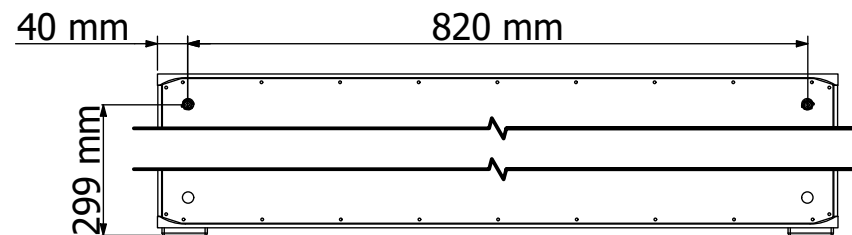
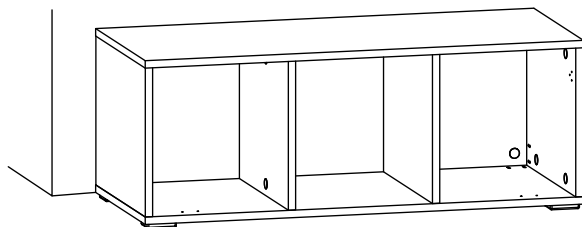
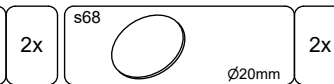
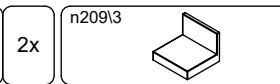
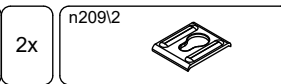
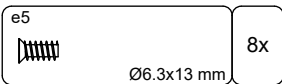
8x



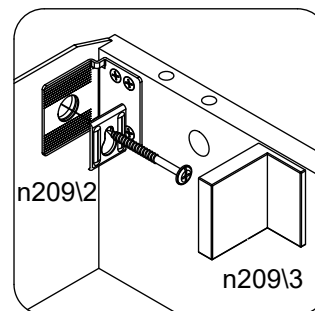
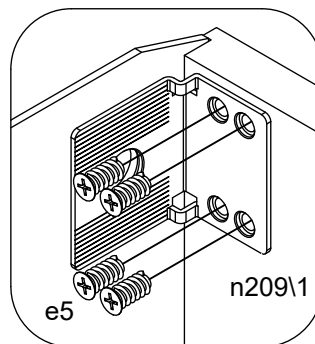
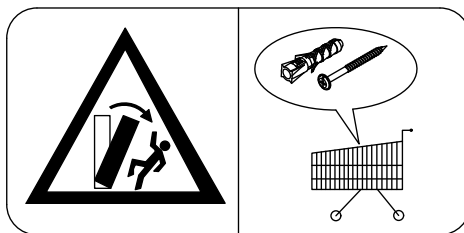
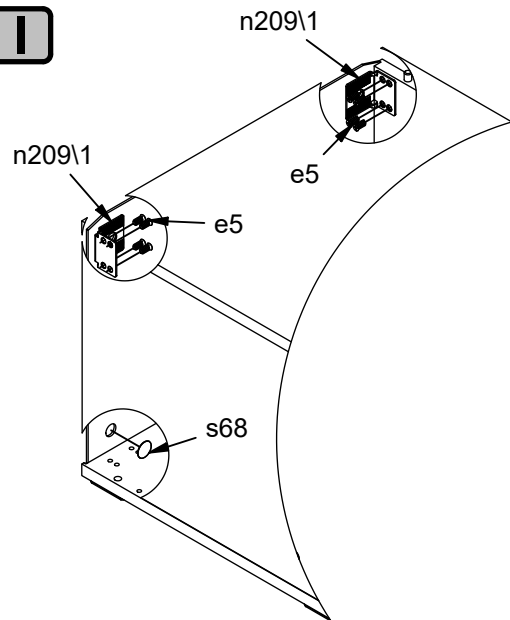
6



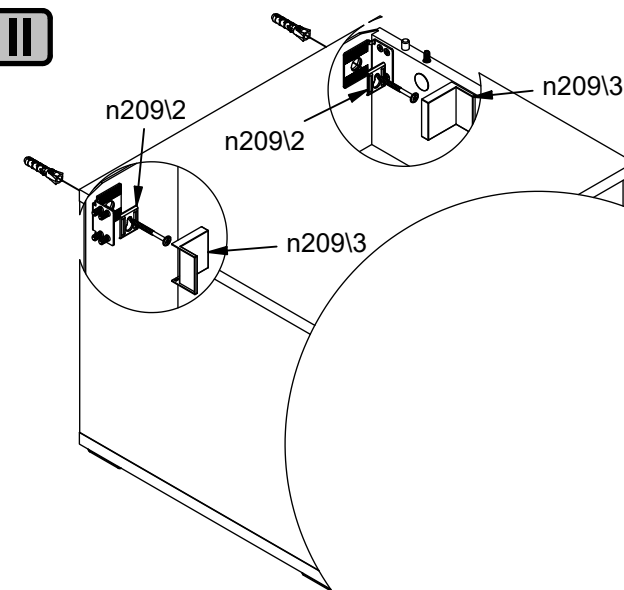
7 A



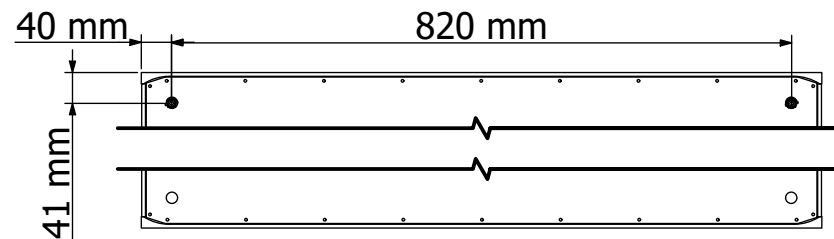
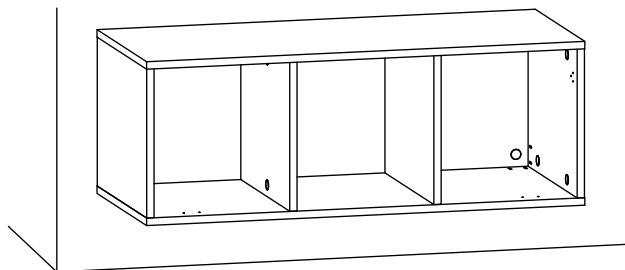
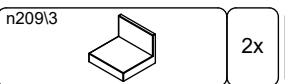
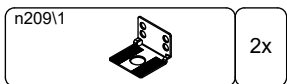
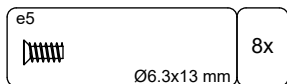
I



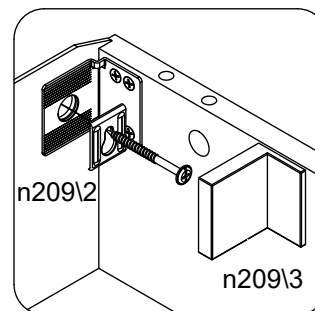
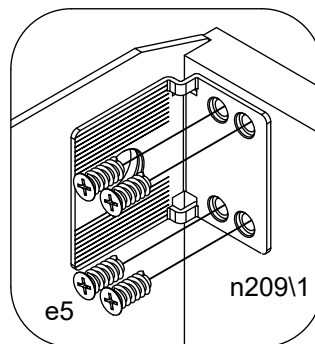
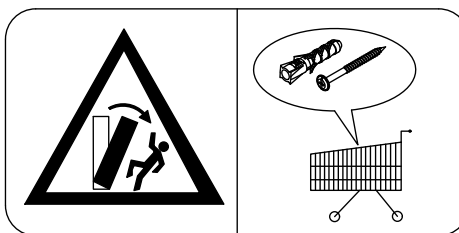
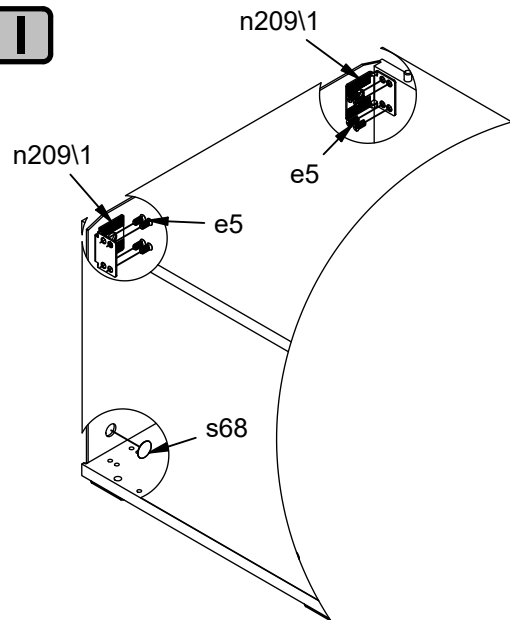
II



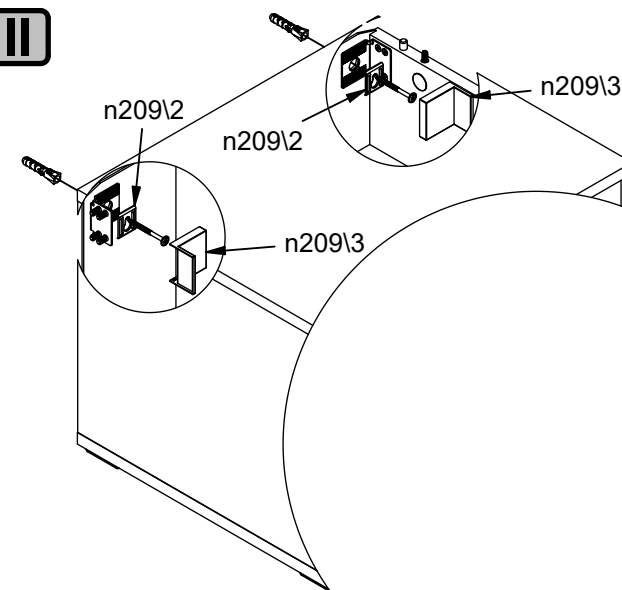
7 B



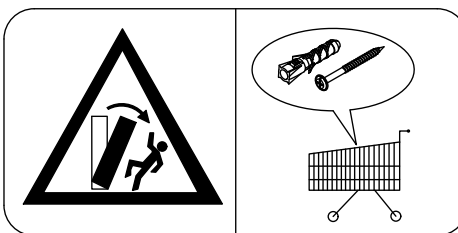
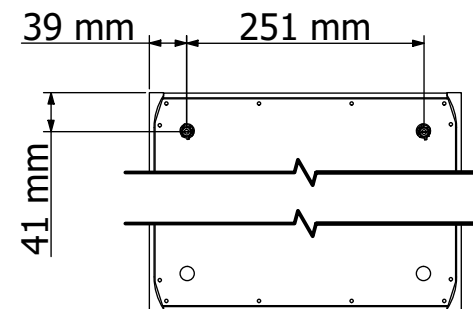
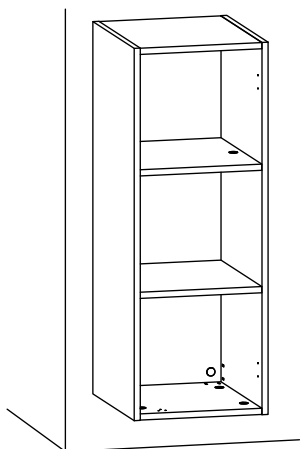
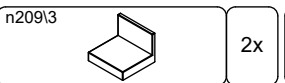
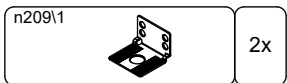
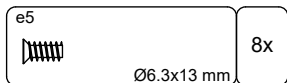
I



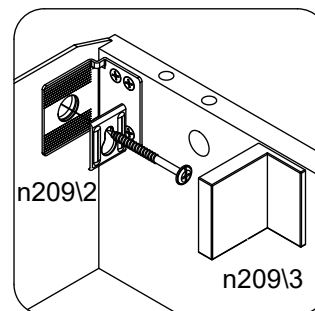
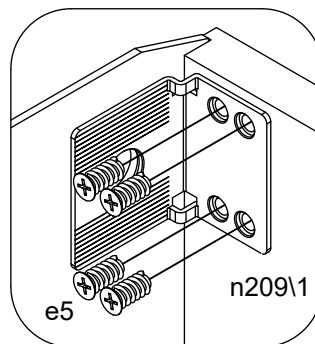
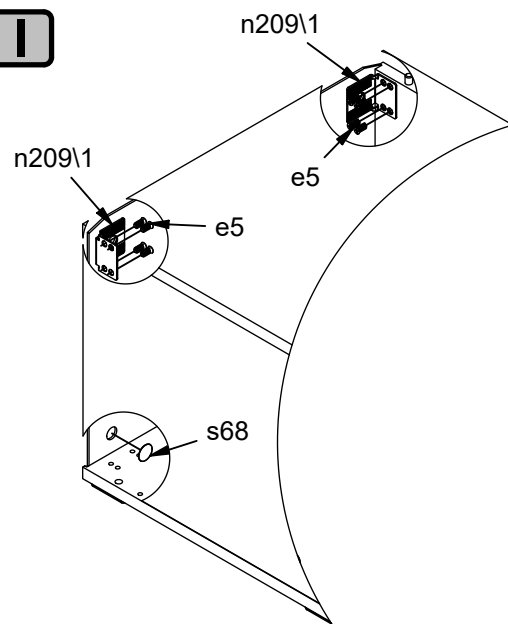
II



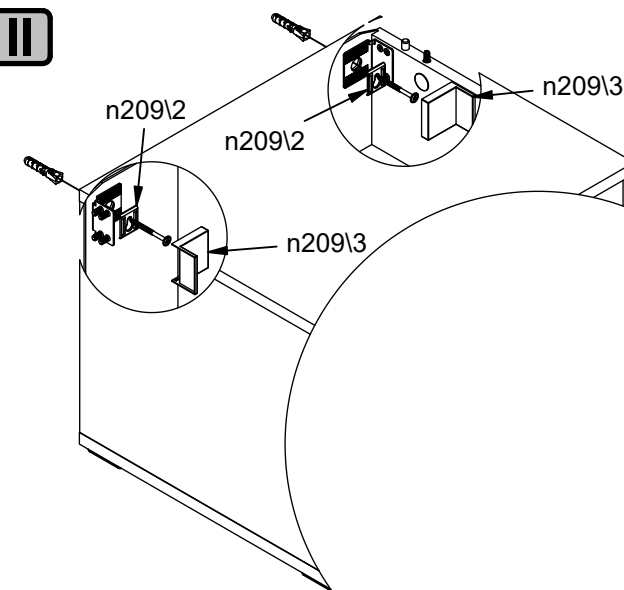
7 C





I

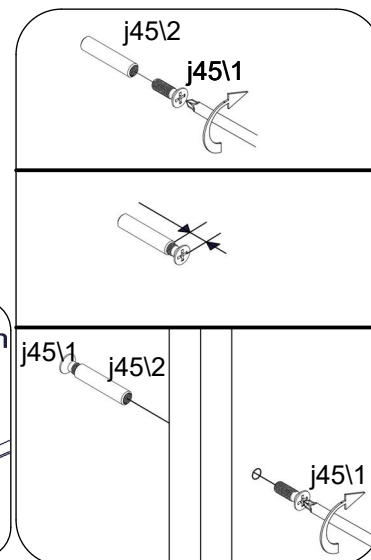
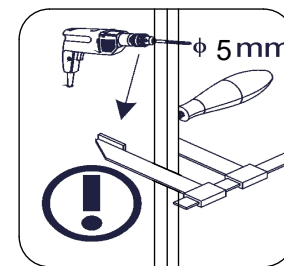
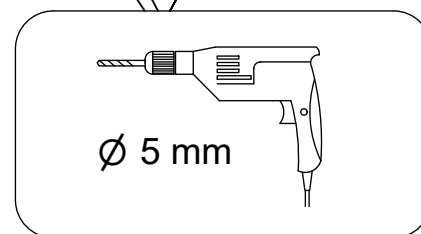
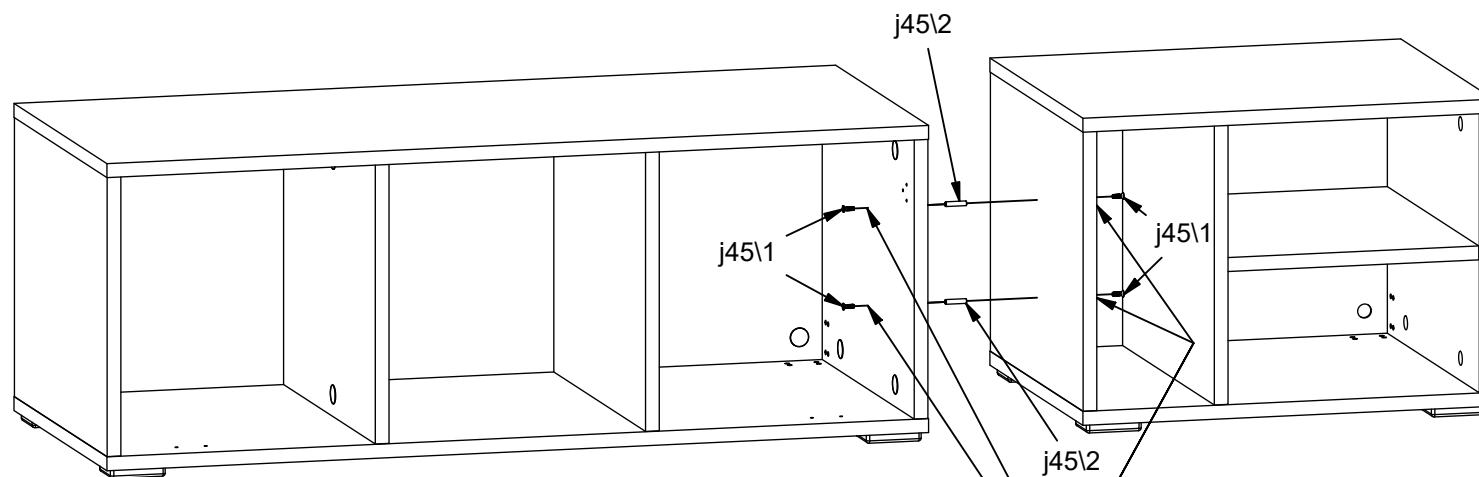


II



8

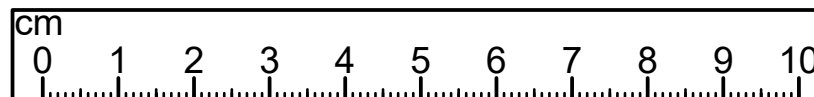
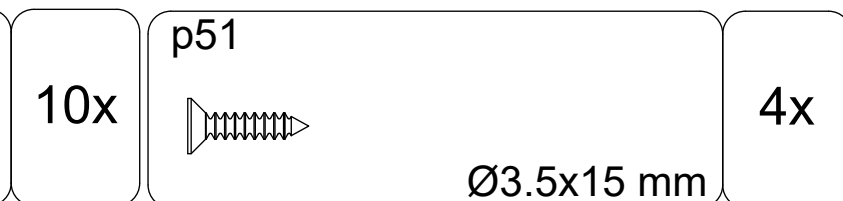
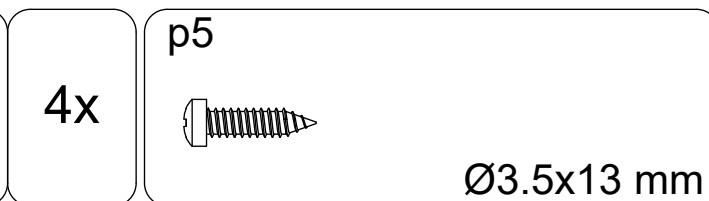
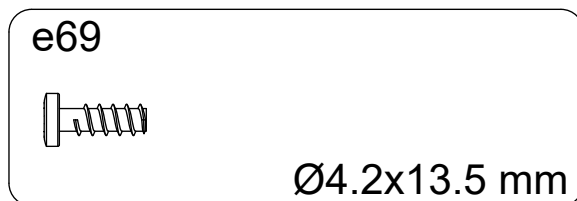
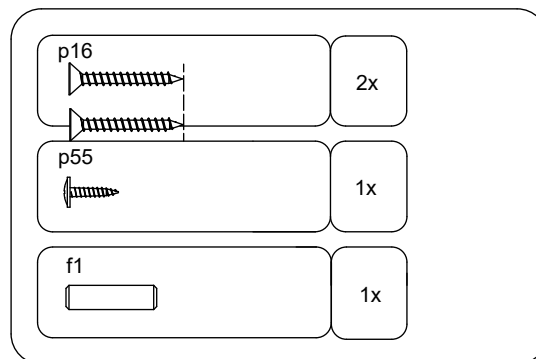
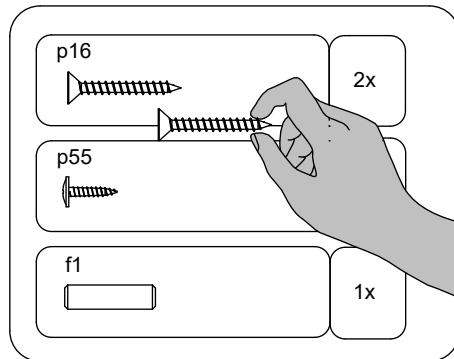
j45\1	4x	j45\2	2x
	M4x12 mm		Ø5x23 mm



B1	B2	C1	C2	C3	C4	D
S658-0001	-.1	896	326	19	1	1/1

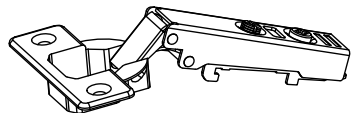


1:1



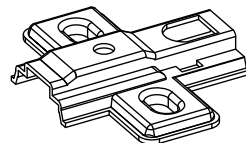
~~1:1~~

a204



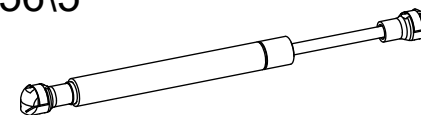
2x

b92\3



2x

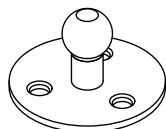
m56\5



60 N

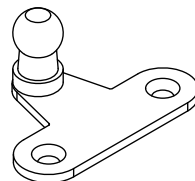
2x

m57\1



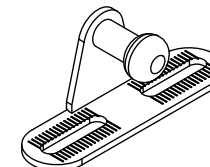
2x

m57\2



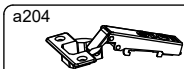
2x

m57\3



2x

1

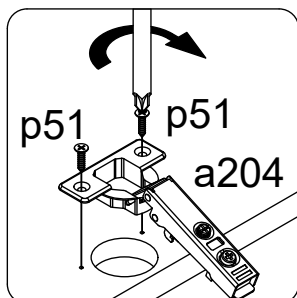
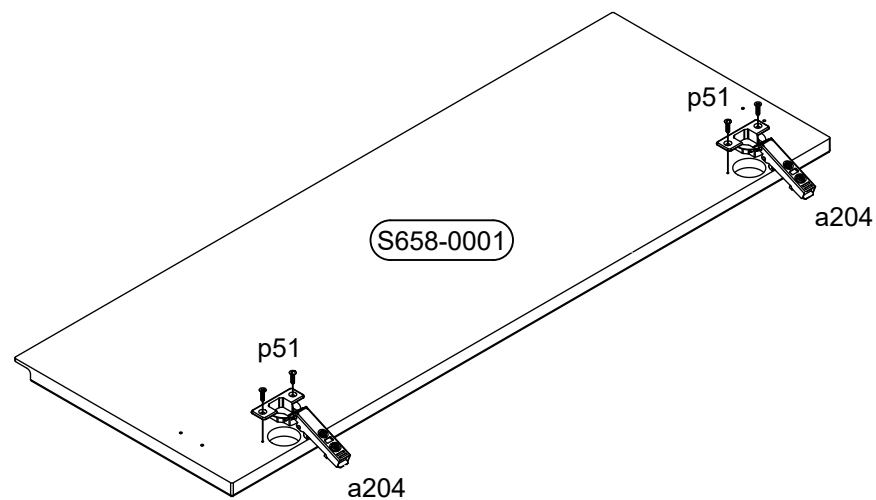
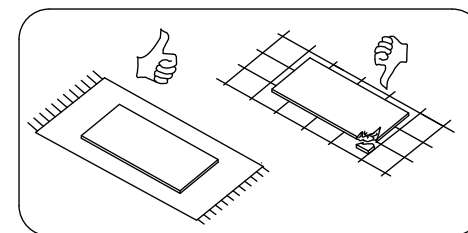


2x





Ø3.5x15 mm


4x



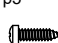
2 AB

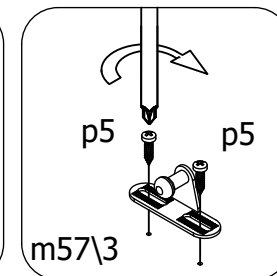
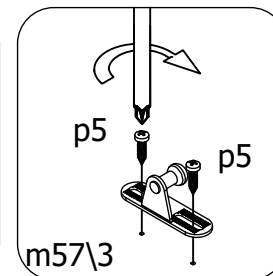
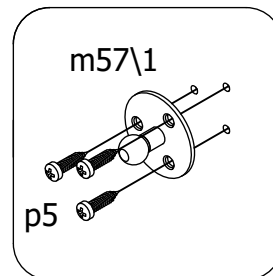
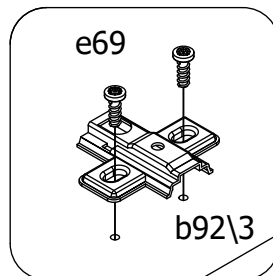
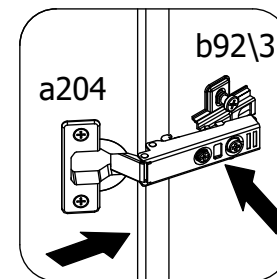
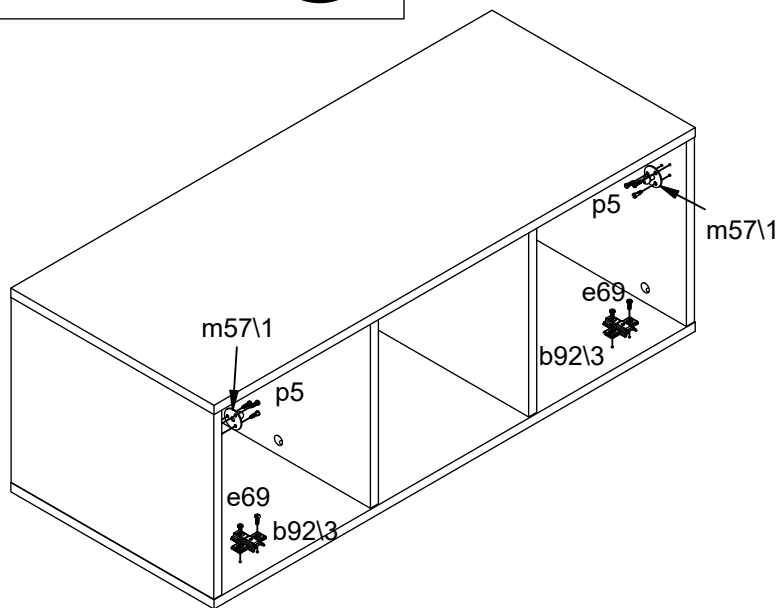
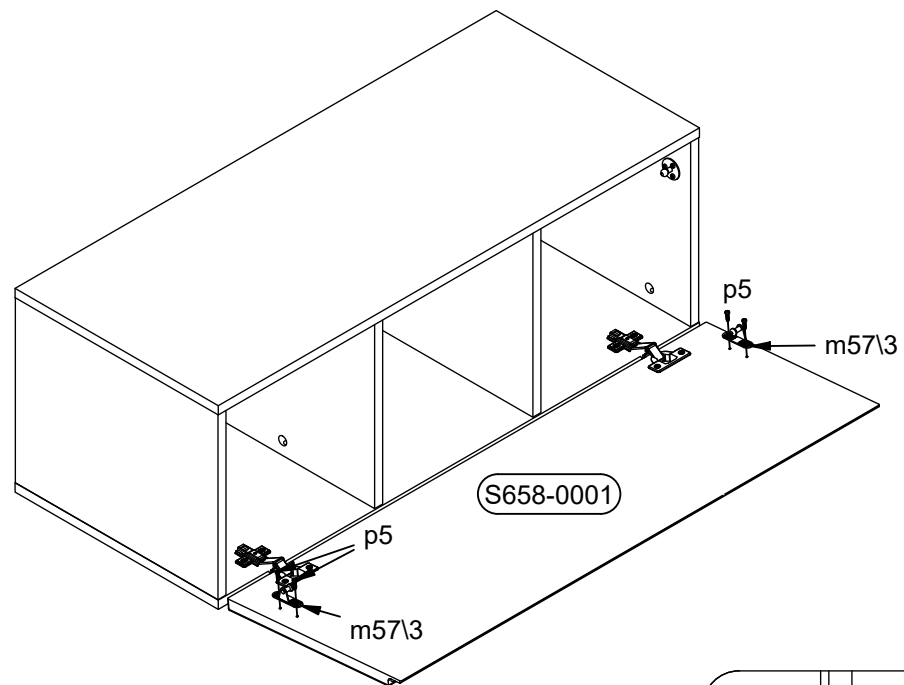
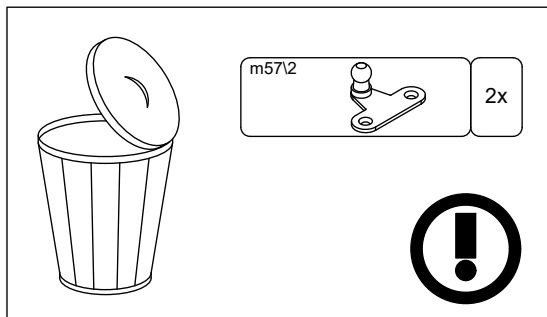
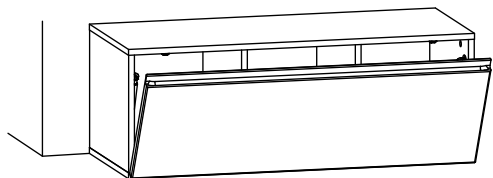
b92\3  2x

e69  4x
Ø4.2x13.5 mm

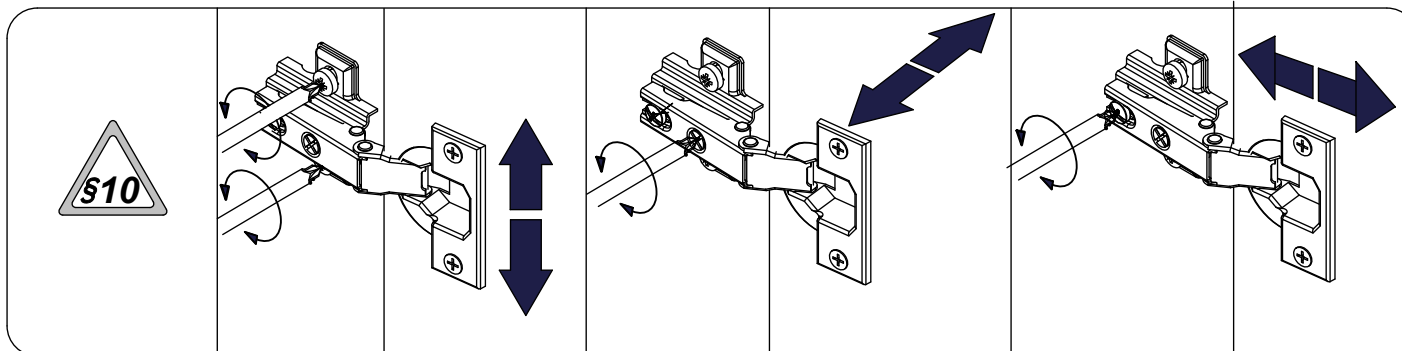
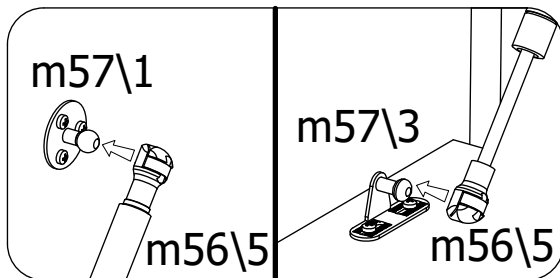
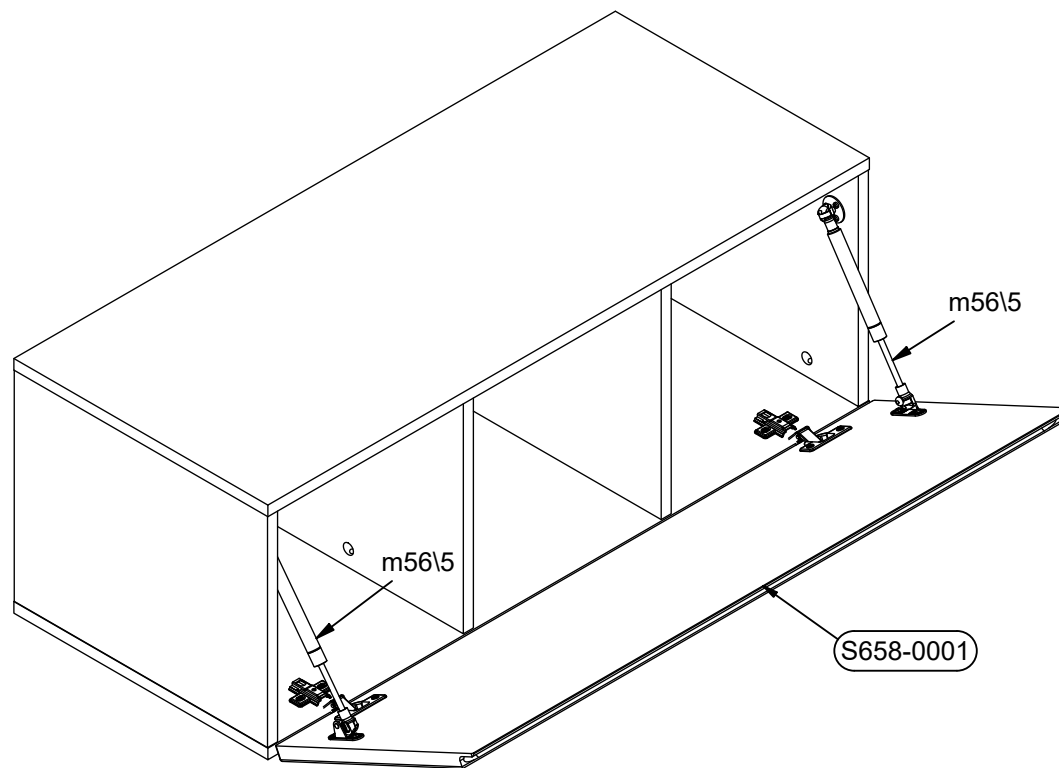
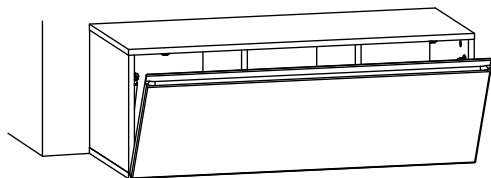
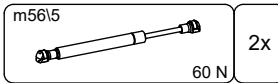
m57\1  2x

m57\3  2x

p5  10x
Ø3.5x13 mm



3 AB



2 C R

b92\3



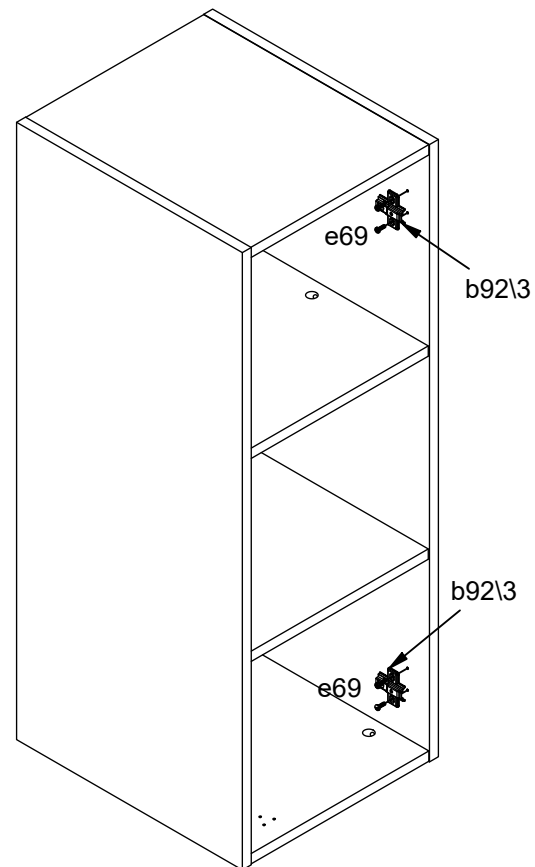
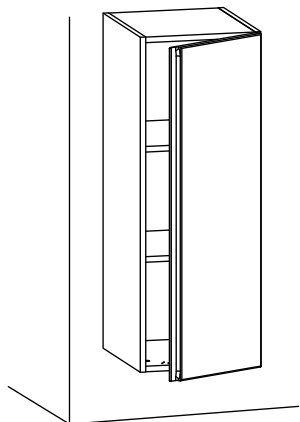
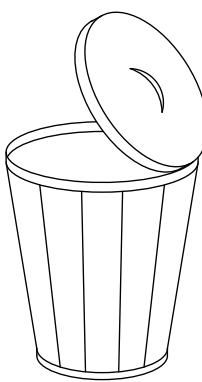
2x

e69


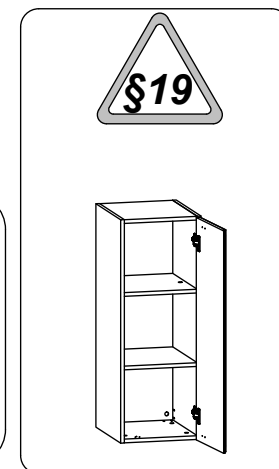
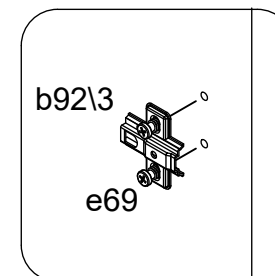


Ø4.2x13.5 mm

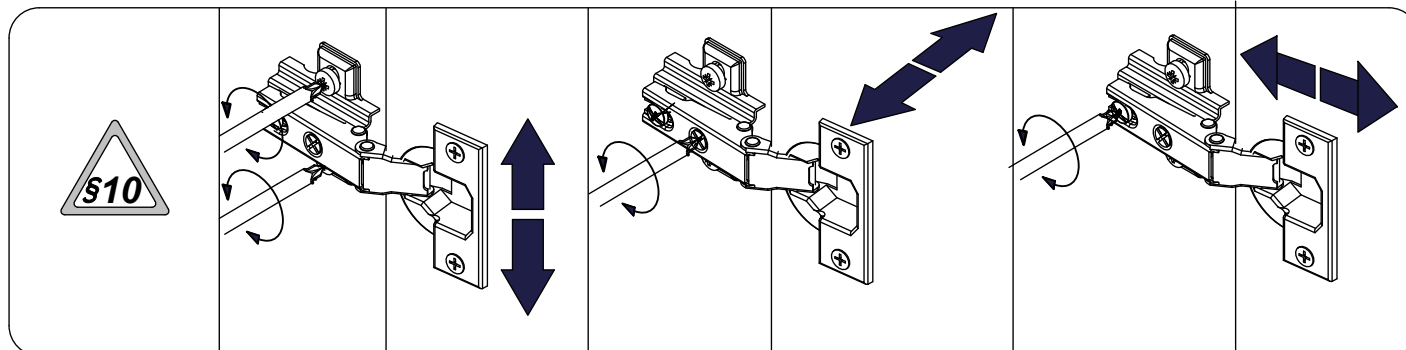
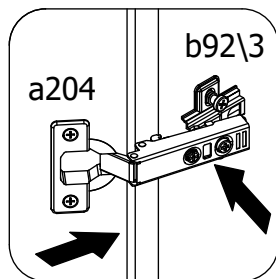
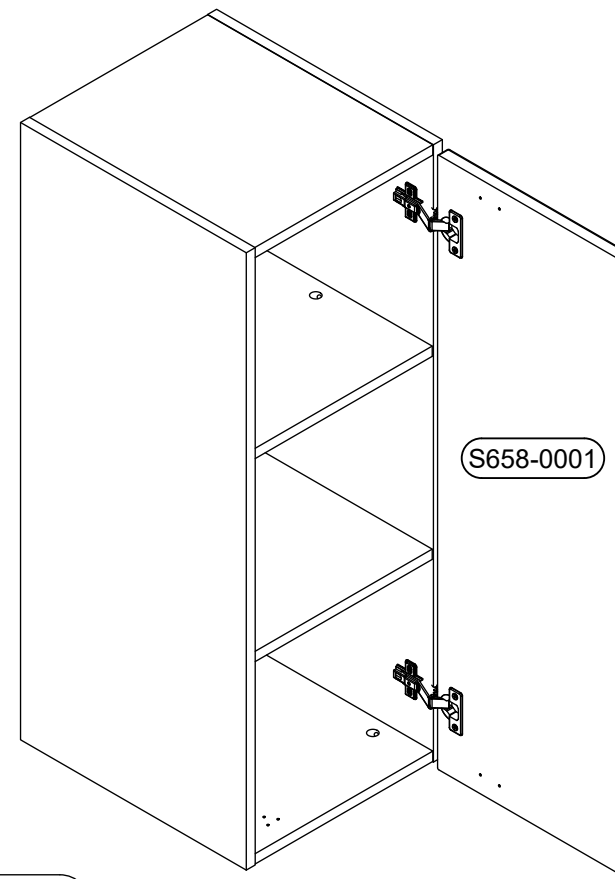
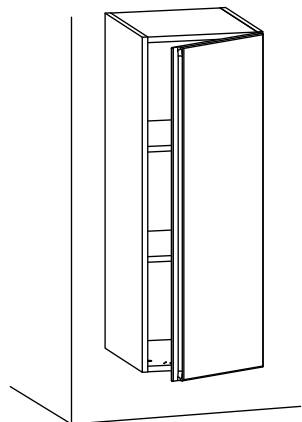
4x



m56\5 60 N	2x	m57\1	2x
m57\2	2x	m57\3	2x
		p5 Ø3.5x13 mm	10x

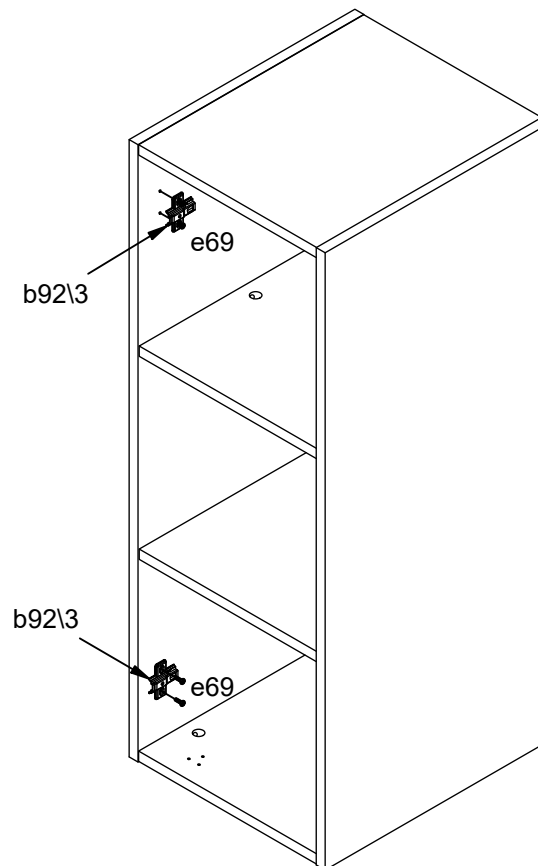
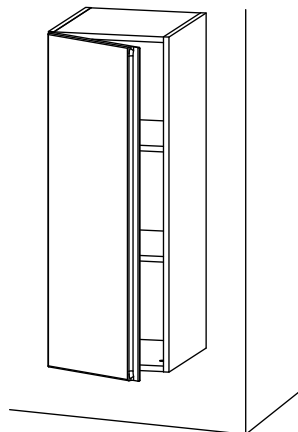



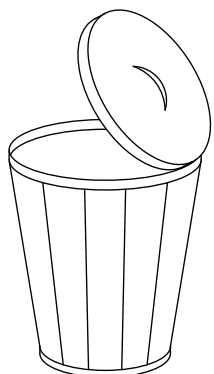
3 C R



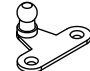





2 C L


b92\3		2x	e69		4x
				Ø4.2x13.5 mm	

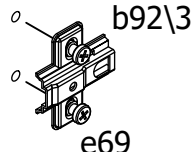


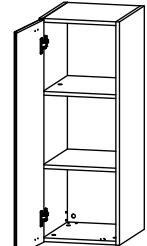


m56\5		2x	m57\1		2x
	60 N				
m57\2		2x	m57\3		2x
			p5		10x
				Ø3.5x13 mm	









3 C L

