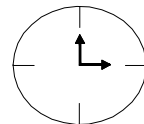
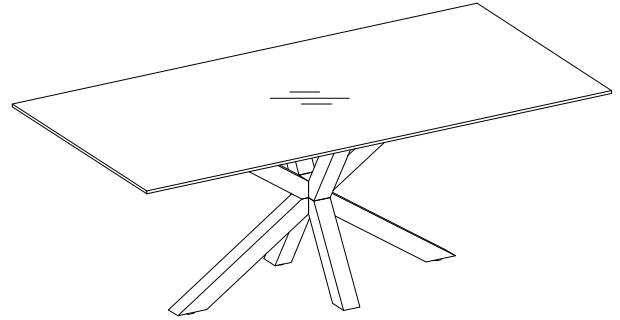


Assembly Instructions

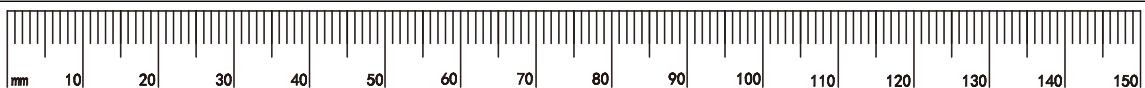
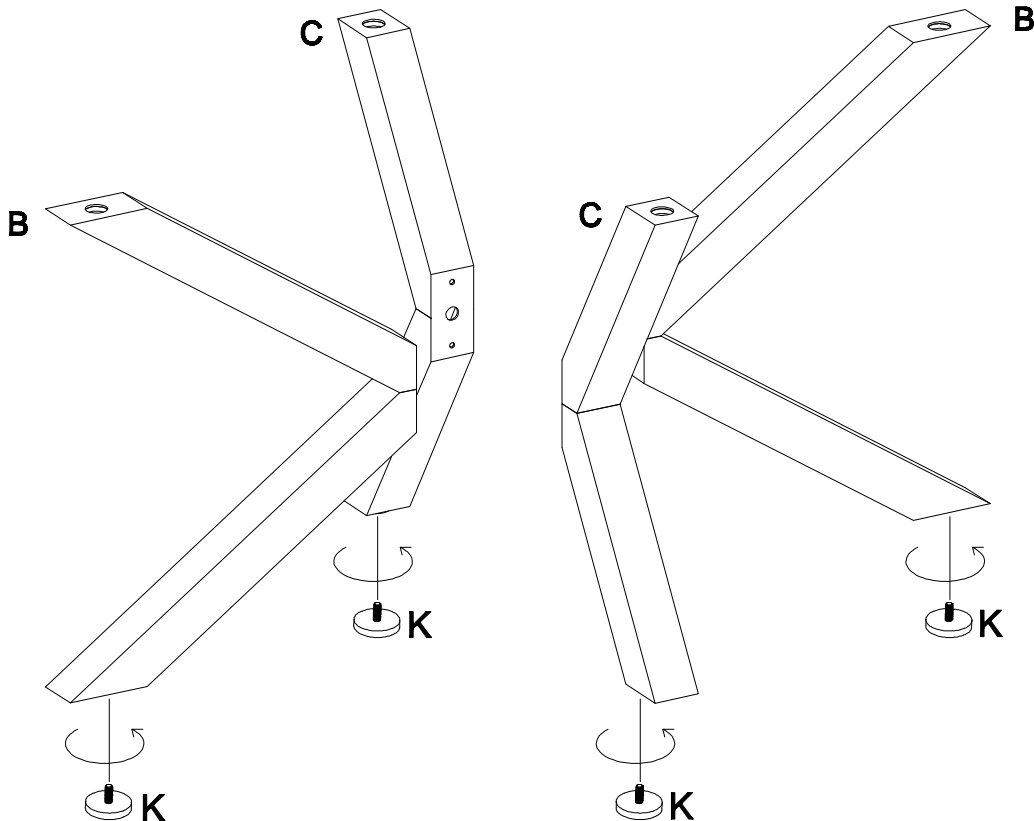
Article number: 1117969, 24650014/01

PARTS LIST

A		1pc	E		1pc
B		2pcs	F		1pc
			G		M6x140 1pc
C		2pcs	H		M8x20 8pcs
			I		M10x16 4pcs
			J		M6 1pc
			K		M8x50 4pcs
			L		8MM 1pc
D		1pc	M		1pc
			N		6MM 1pc



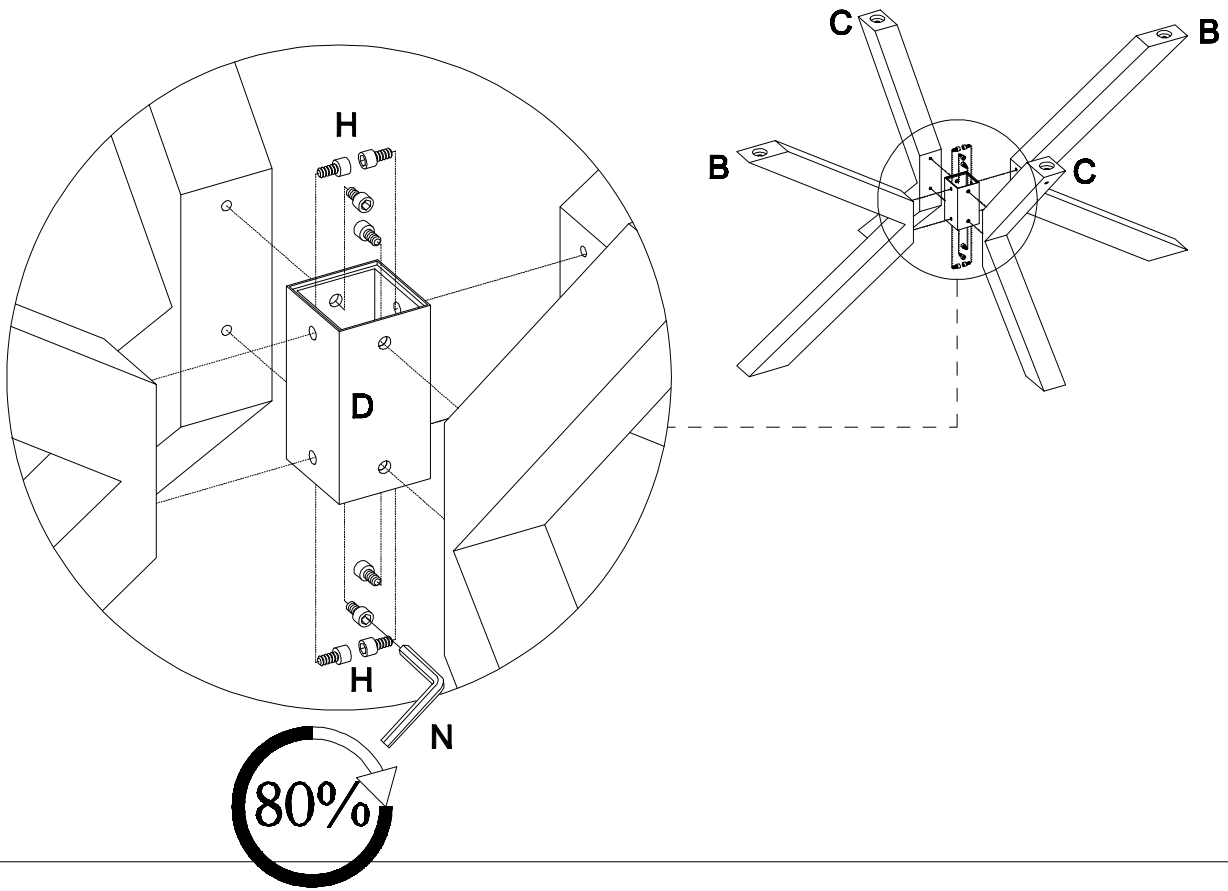
1.



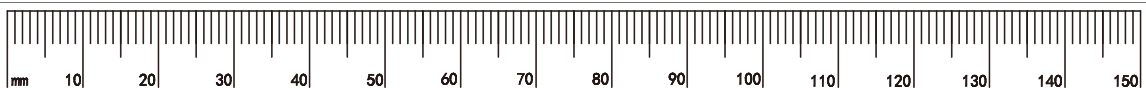
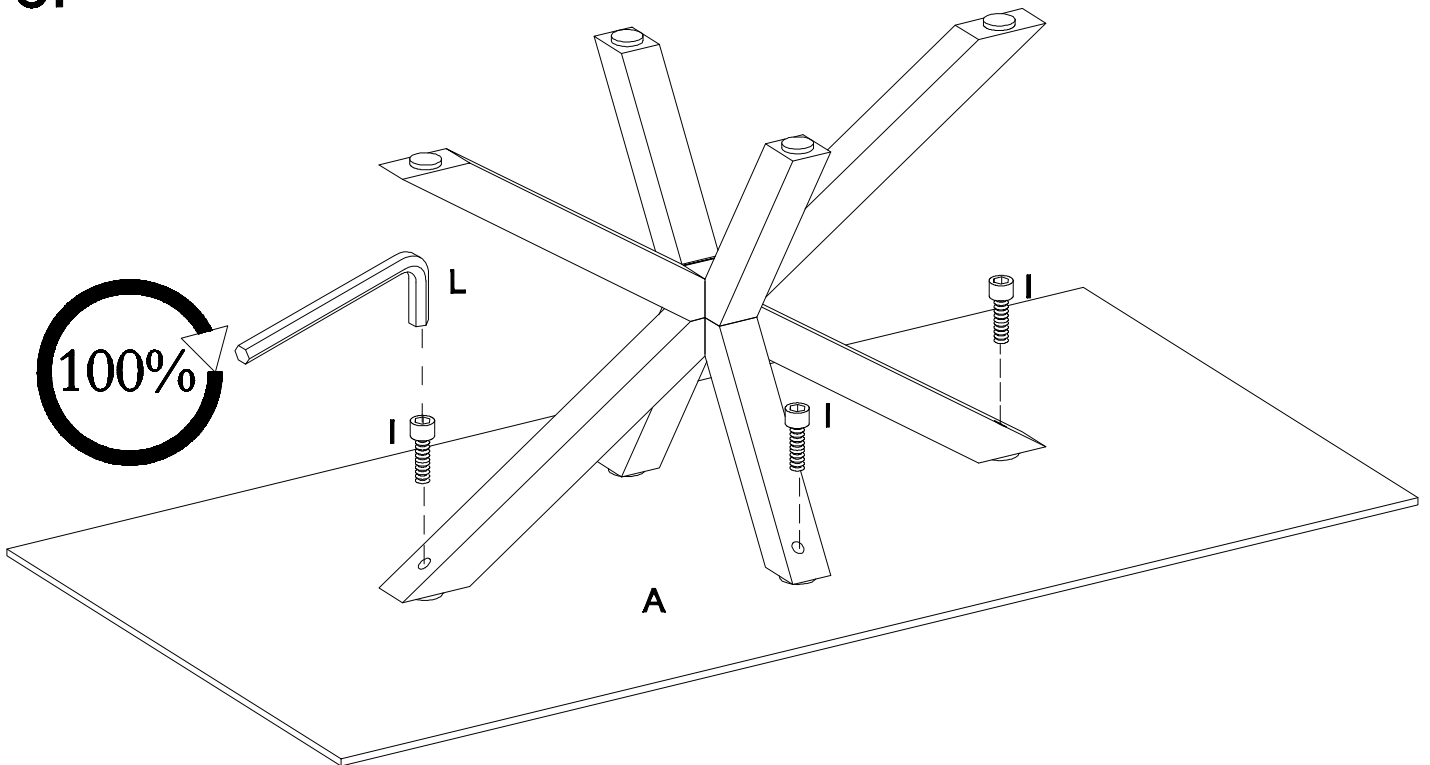
Assmby Instructions

Article number: 1117969 , 24650014/01

2.



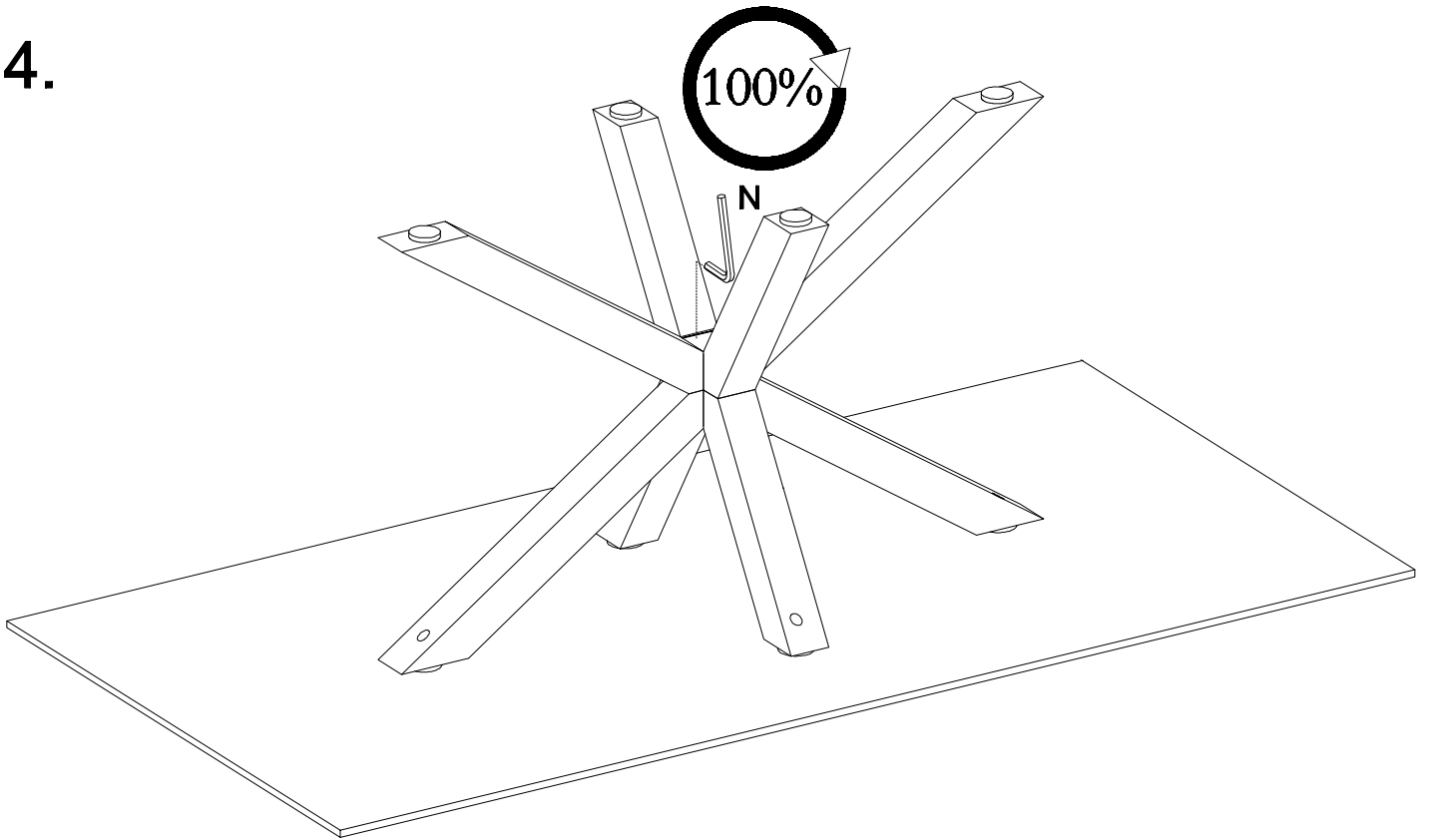
3.



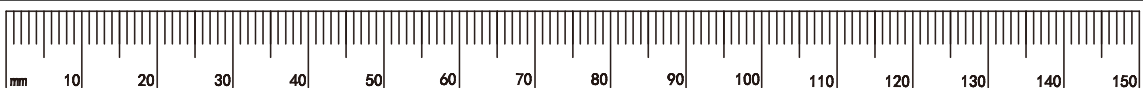
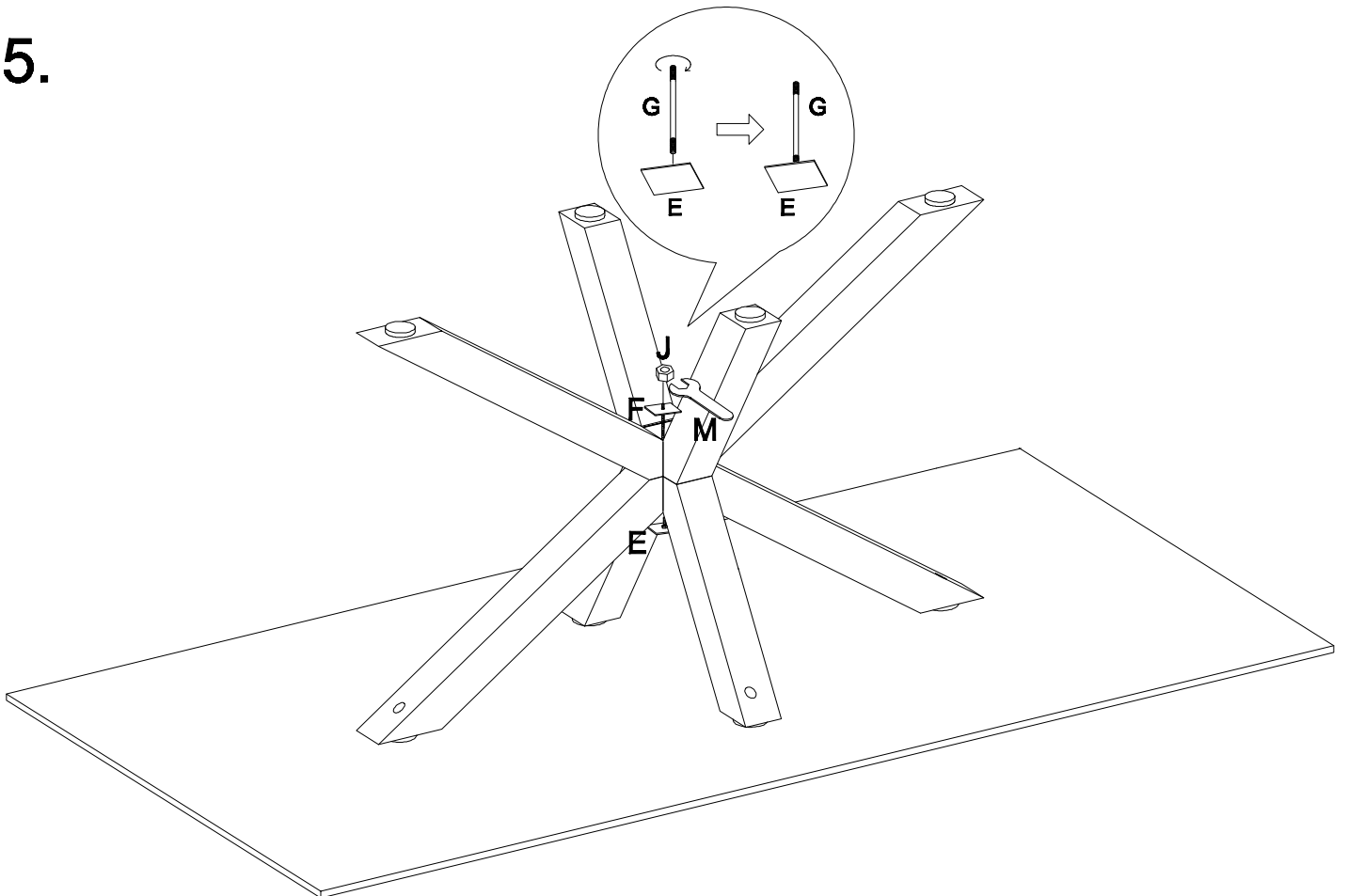
Assembly Instructions

Article number: 1117969 , 24650014/01

4.

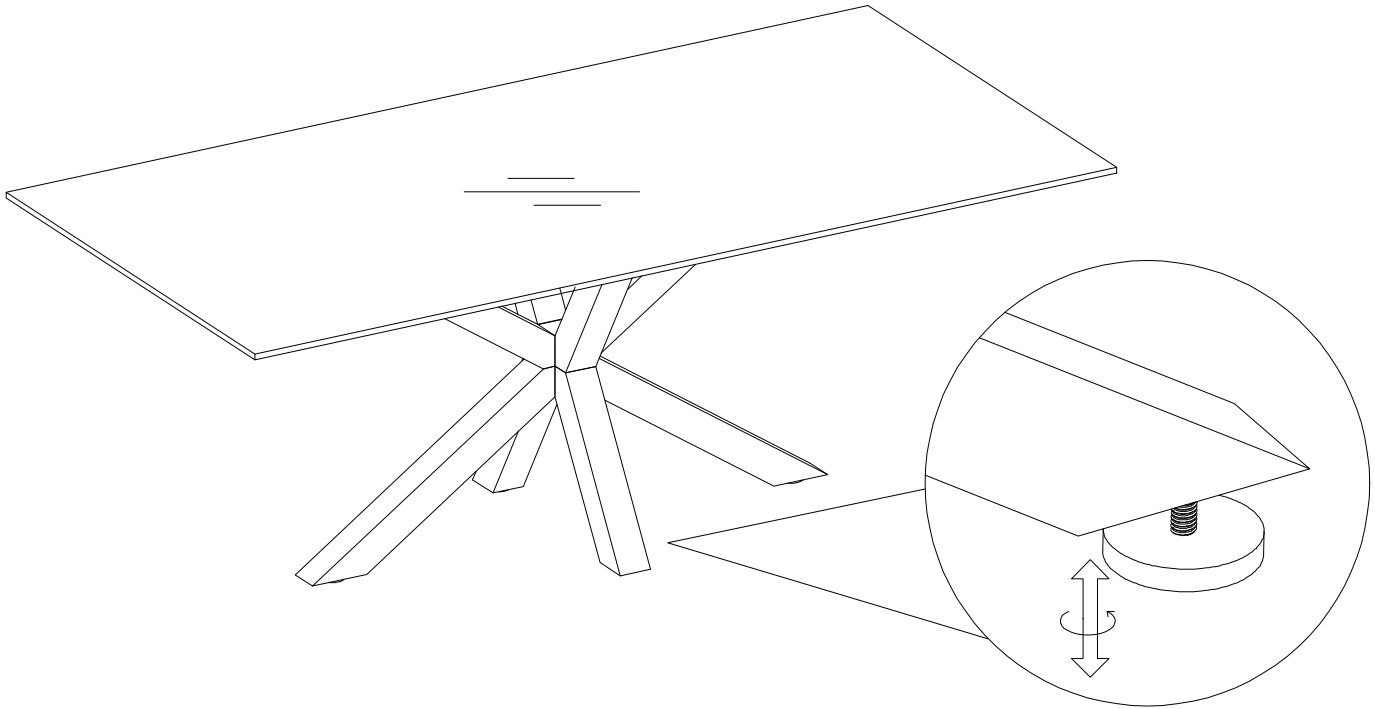


5.



Assmby Instructions
Article number:1117969, 24650014/01

6.



7.

