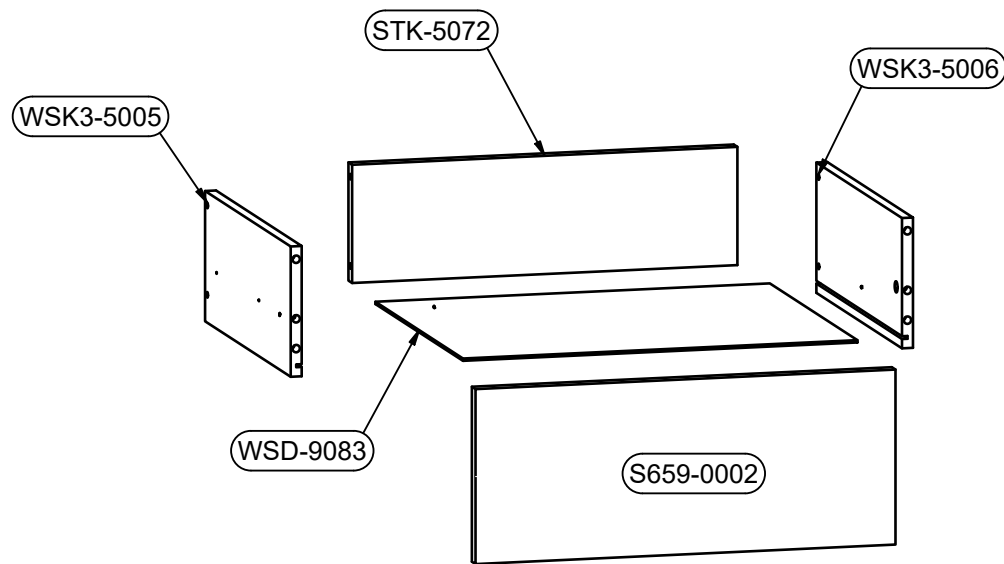
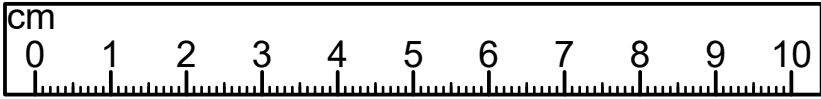
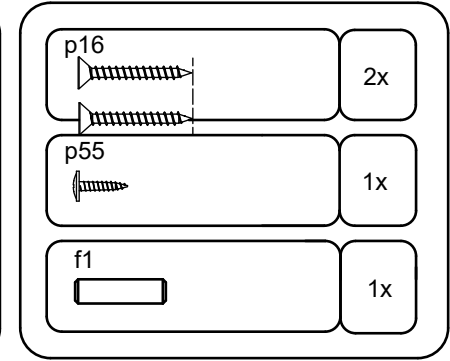
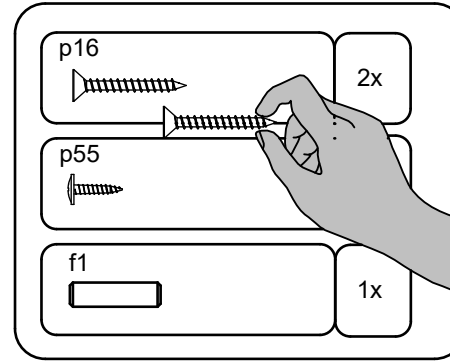


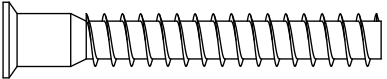
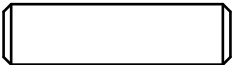
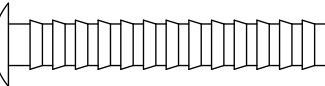
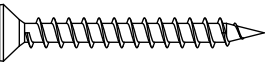



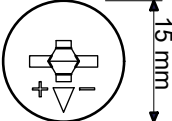
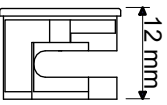
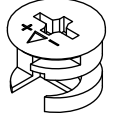
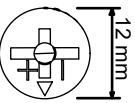
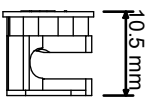
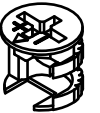
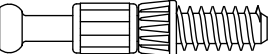
B1	B2	C1	C2	C3	C4	D
S659-0002	-	460	188	15	1	1/1
S659-1004	-	413	396	15	1	1/1
S659-1005	-	413	396	15	1	1/1
S659-2003	-	500	400	22	1	1/1
S659-2004	-	500	400	15	1	1/1
S659-3003	-	468	375	15	1	1/1
S659-9001	-	478	214	2,5	1	1/1
S659-9002	-	478	209	2,5	1	1/1
STK-5072	-	422	127	15	1	1/1
WSK3-5005	-6	350	140	12	1	1/1
WSK3-5006	-6	350	140	12	1	1/1
WSD-9083	-	432	358	2,5	1	1/1





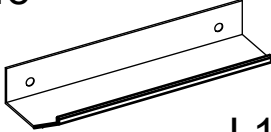
1:1



<p>e1</p>  <p>50mm</p>	<p>4x</p>	<p>f1</p>  <p>30mm</p>	<p>16x</p>	<p>f25</p>  <p>6.5x40 mm</p>	<p>4x</p>
<p>p6</p>  <p>Ø4x35 mm</p>	<p>8x</p>	<p>p55</p>  <p>2.8x16mm</p>	<p>6x</p>	<p>p51</p>  <p>3.5x15mm</p>	<p>4x</p>
<p>p1</p>  <p>Ø3.5x13 mm</p>	<p>12x</p>	<p>r1</p>  <p>15mm</p>  <p>12mm</p>  <p>15x12mm</p>	<p>8x</p>	<p>r15</p>  <p>12mm</p>  <p>10.5mm</p>  <p>12x10,5mm</p>	<p>2x</p>
<p>r42</p> 	<p>10x</p>				

~~1:1~~

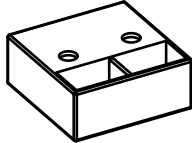
c648



L149/128mm

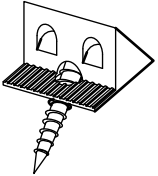
1x

k55



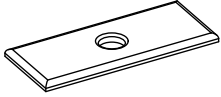
4x

l2



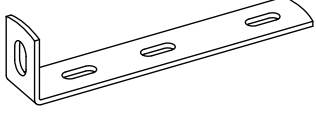
4x

n108



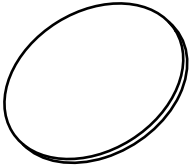
2x

n14\2



1x

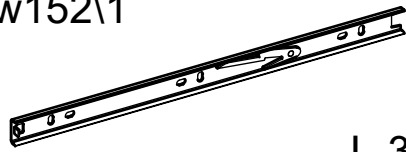
s68



Ø20mm

4x

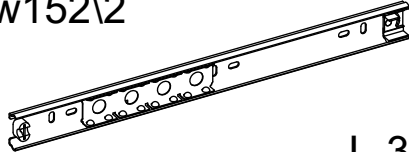
w152\1



L-350mm

1x

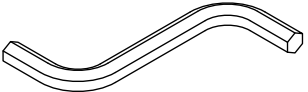
w152\2



L-350mm

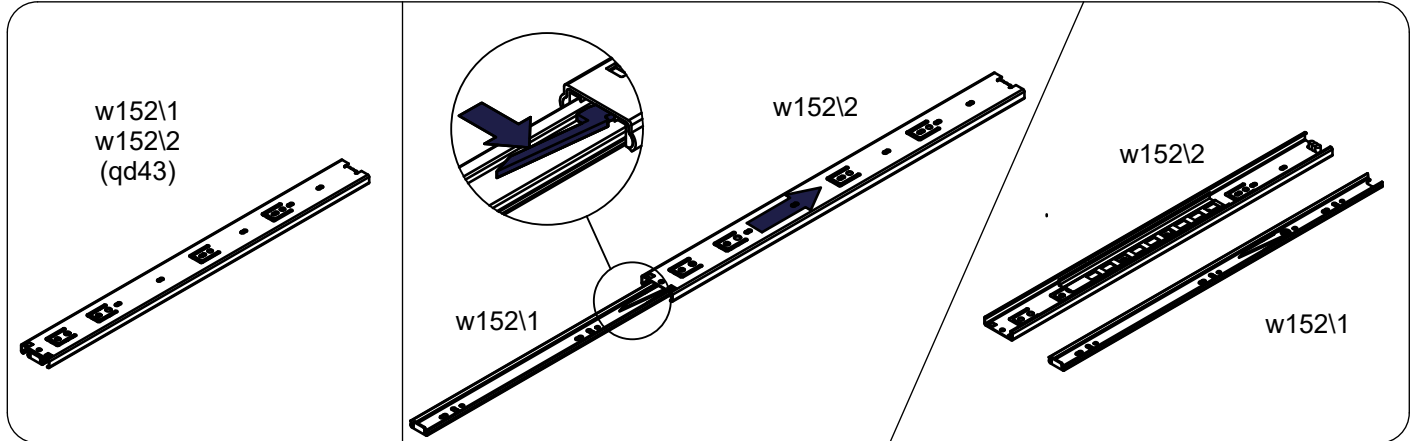
1x

z1

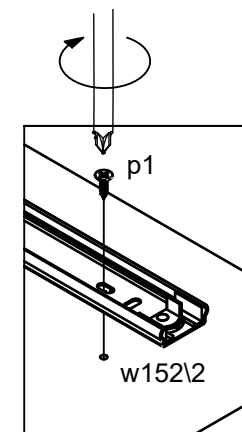
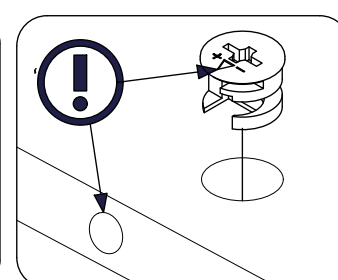
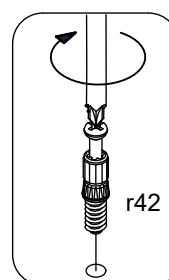
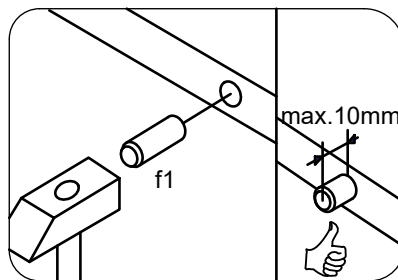
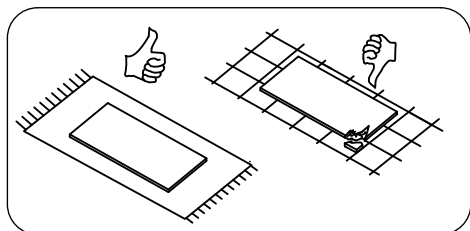
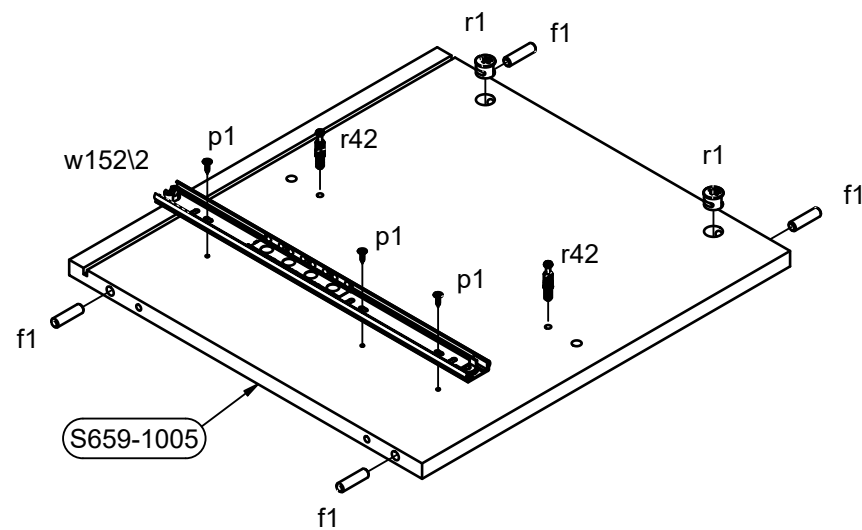
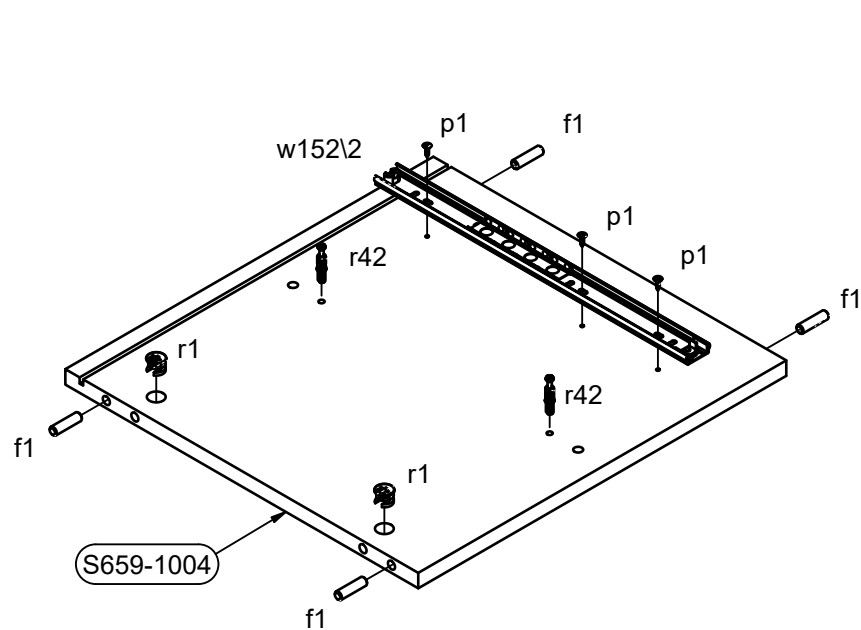
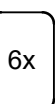
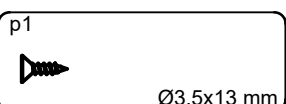
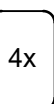
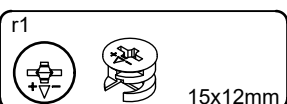
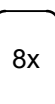
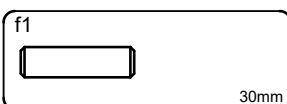
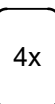
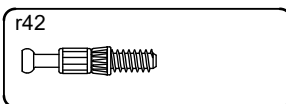
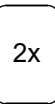
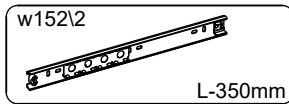


4mm

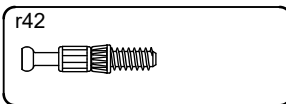
1x



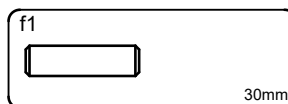
1



2



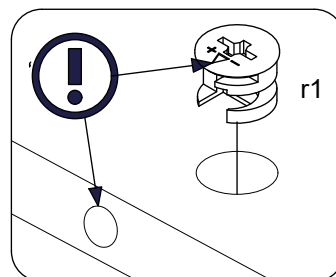
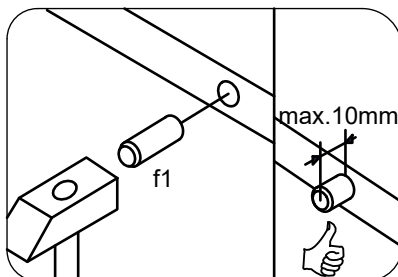
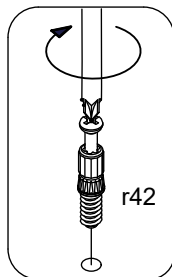
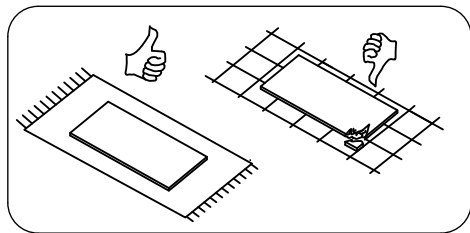
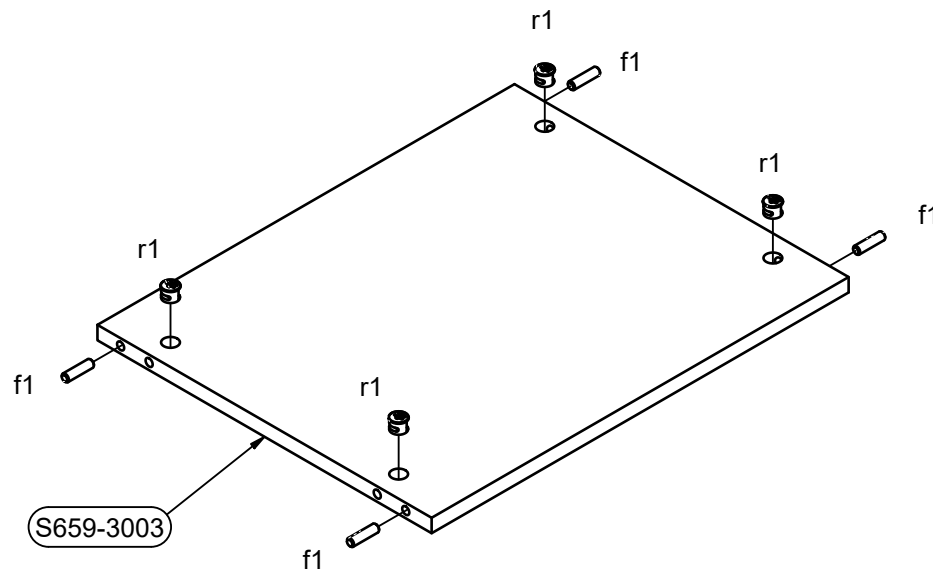
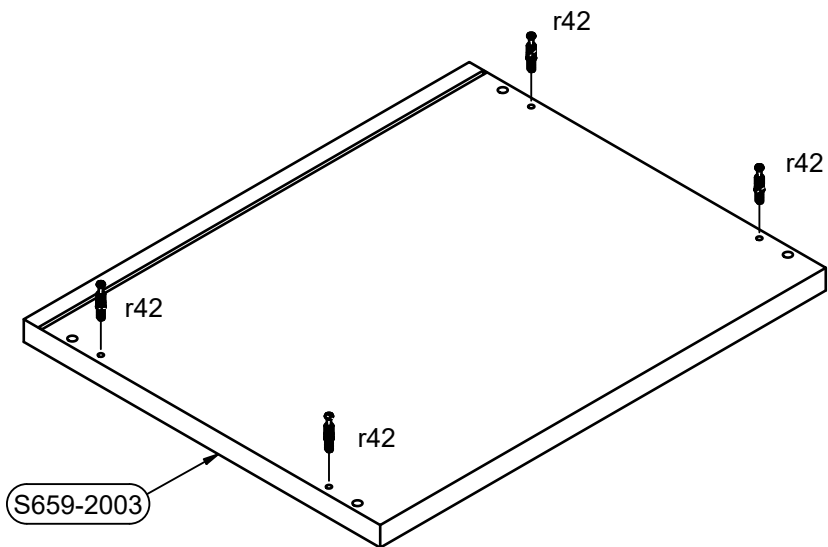
4x



4x



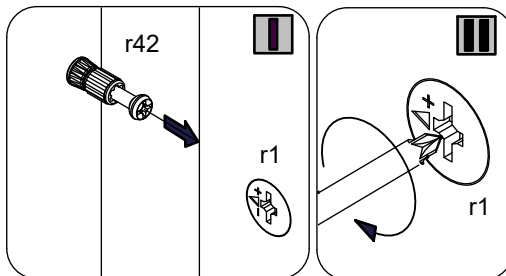
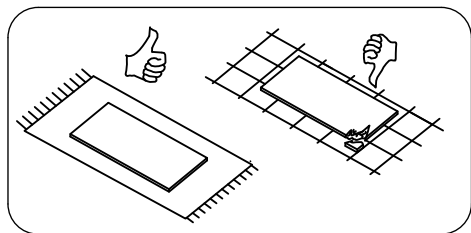
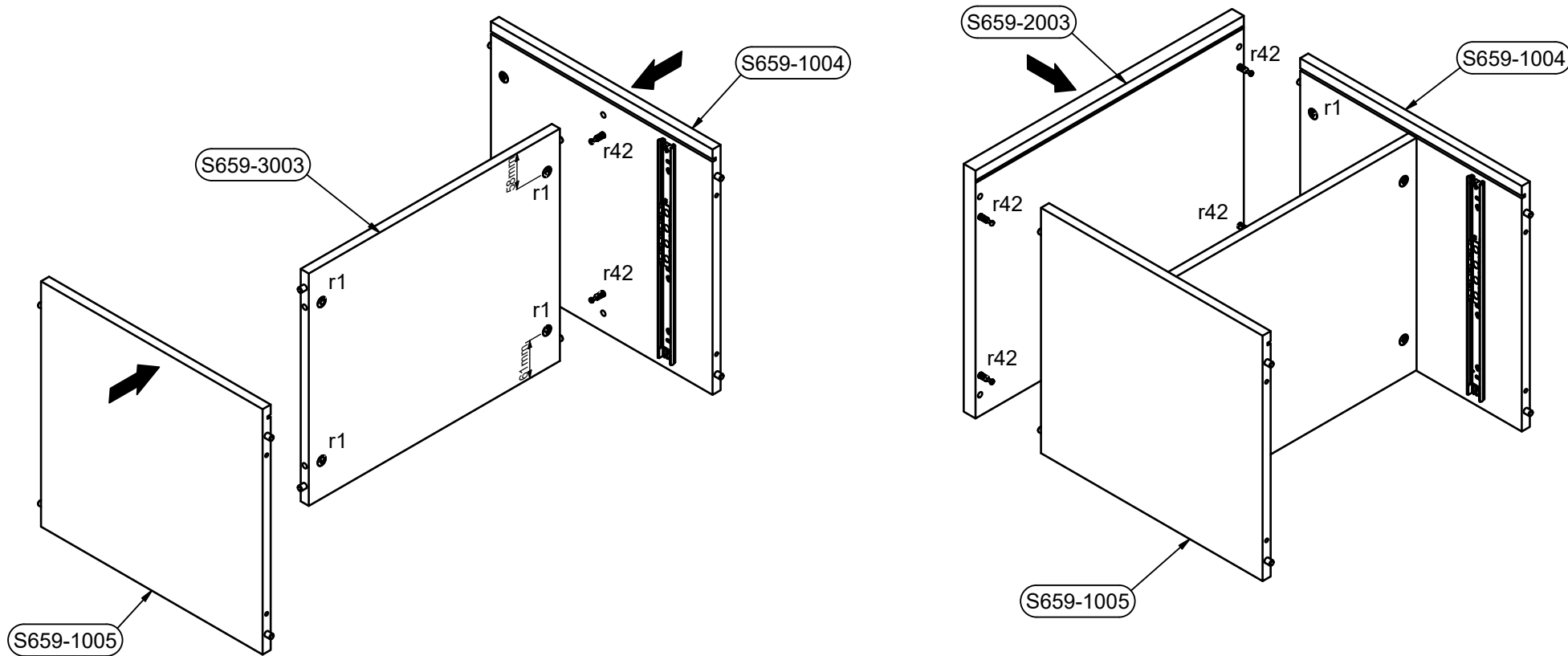
4x



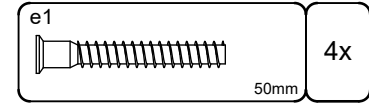
3



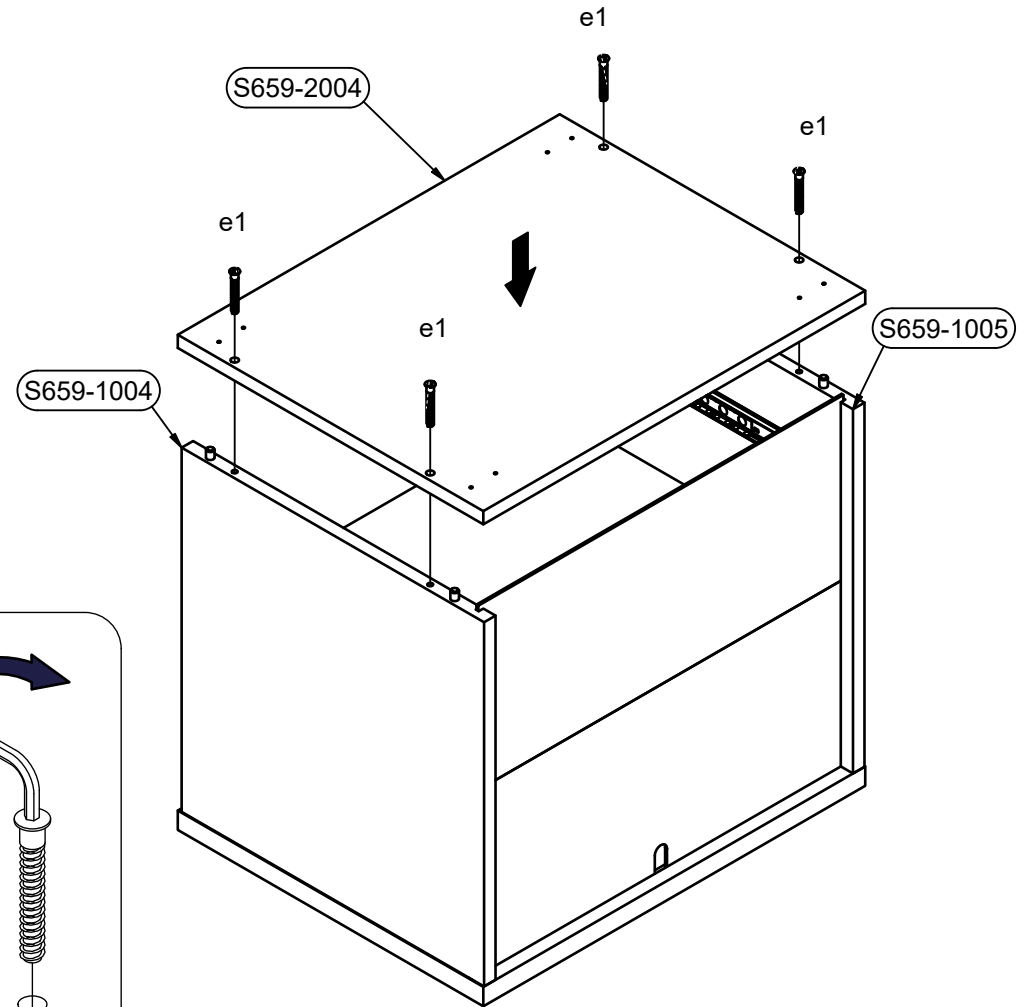
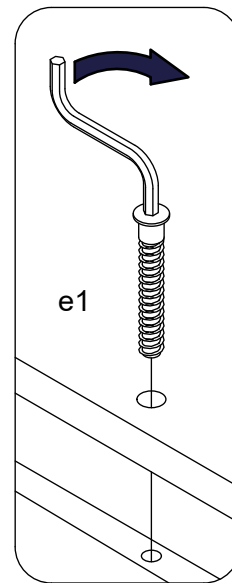
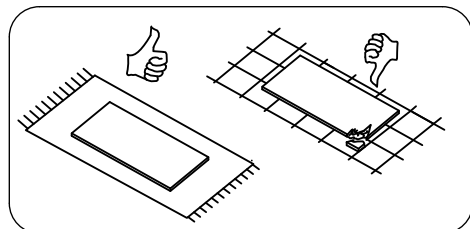
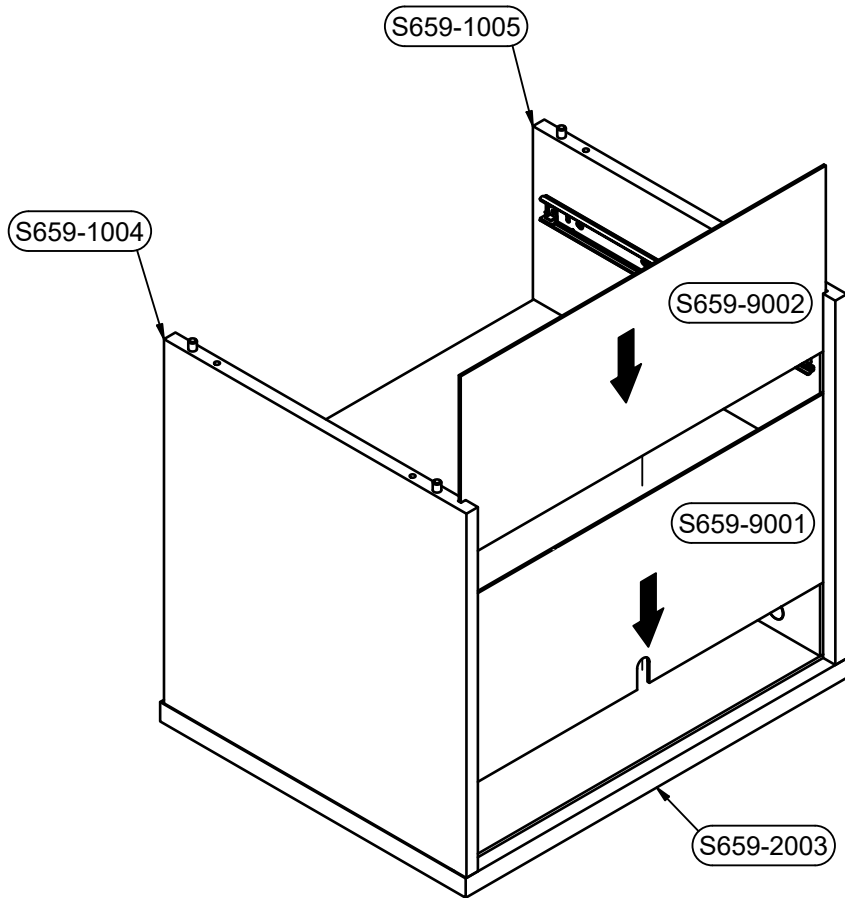
4



5



6



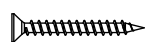
7

k55



4x

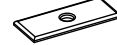
p6



Ø4x35 mm

8x

n108



2x

p55



2.8x16mm

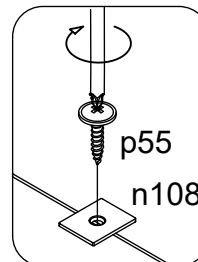
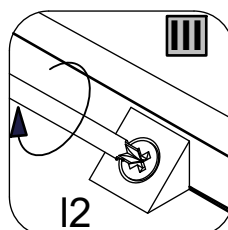
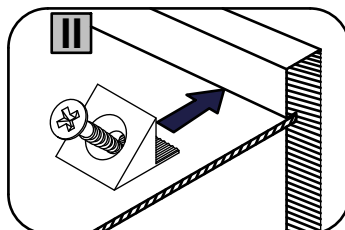
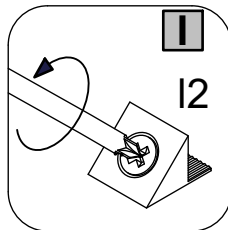
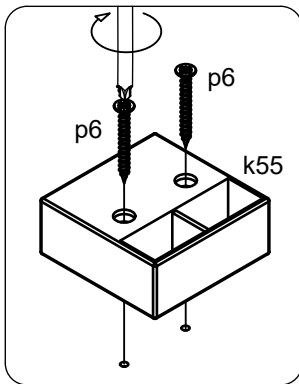
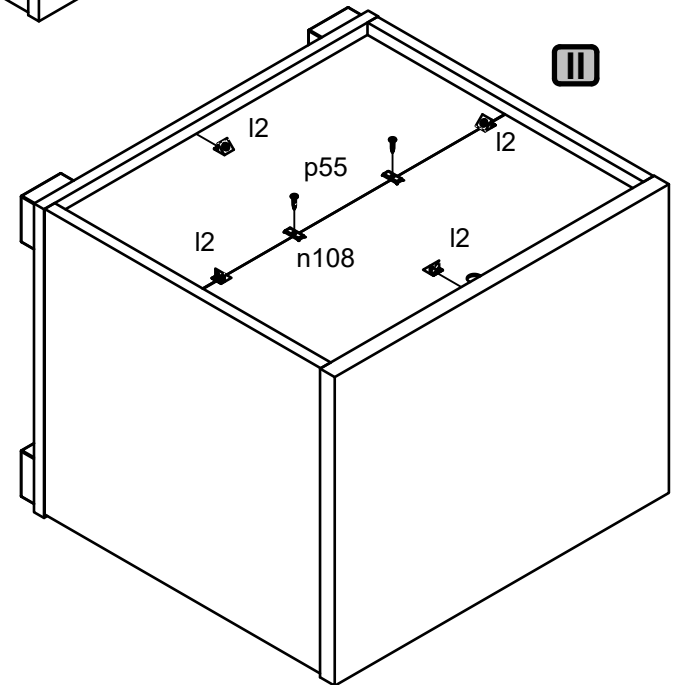
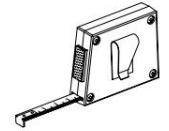
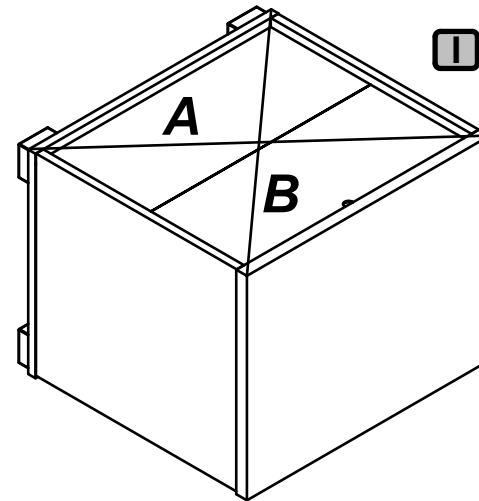
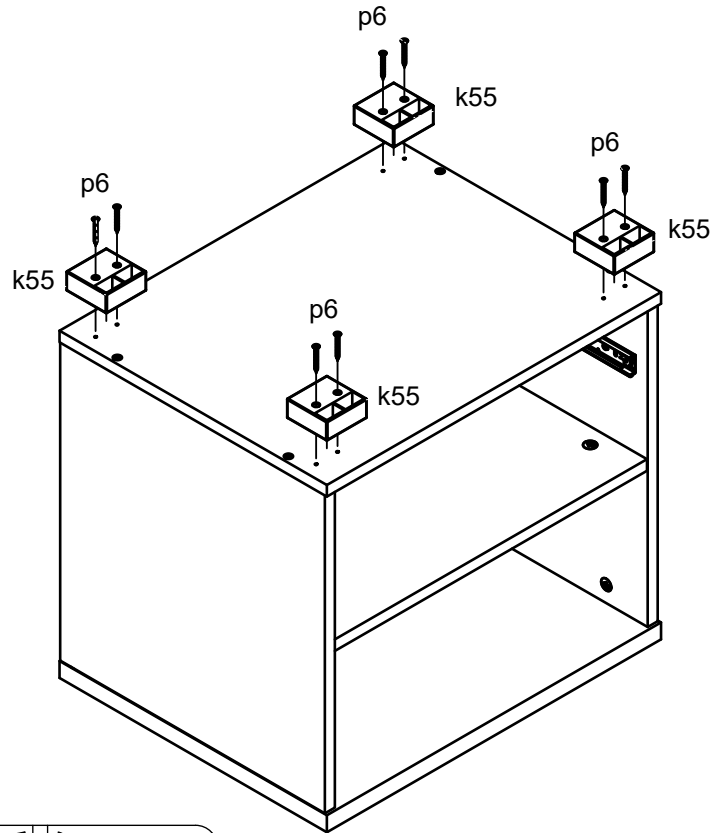
2x

l2

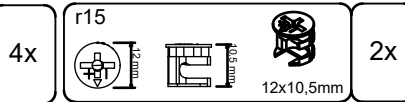
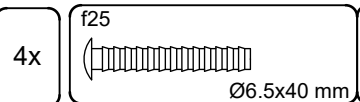
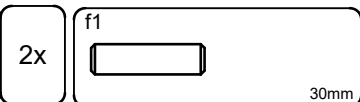
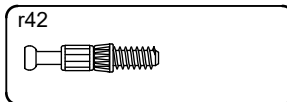


4x

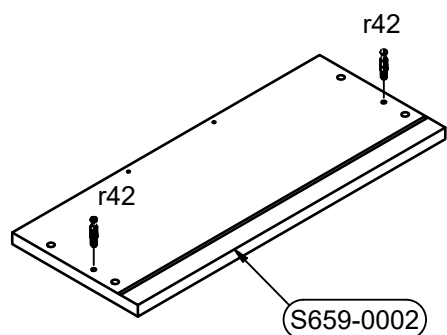
8



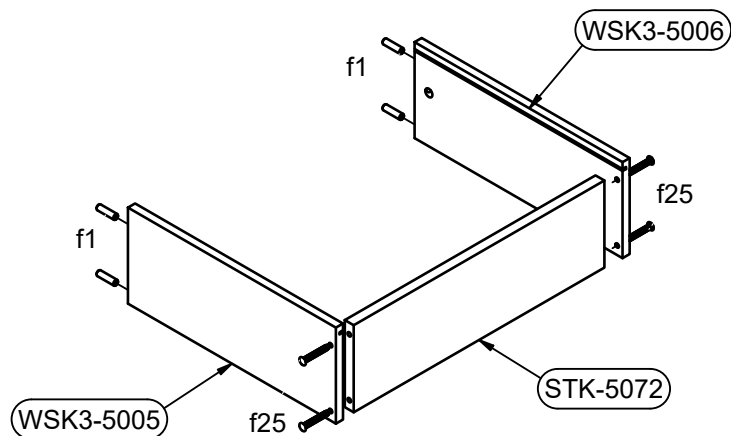
9



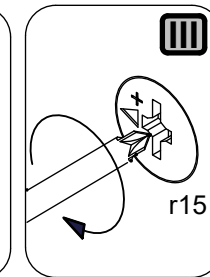
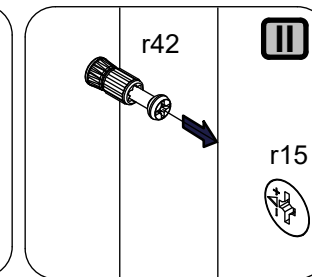
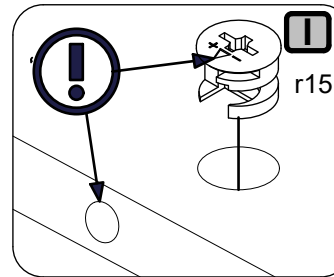
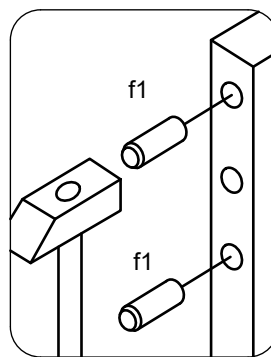
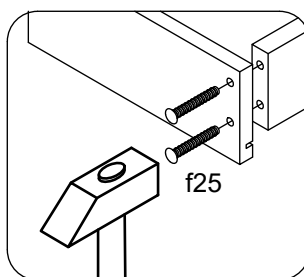
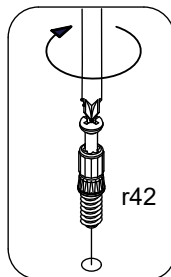
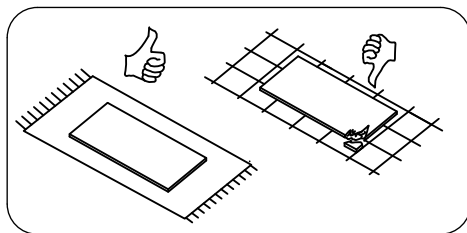
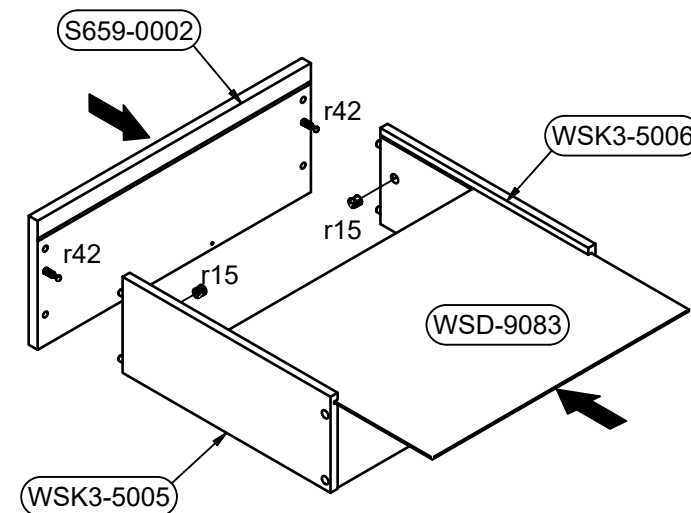
I



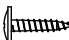
II





III





9

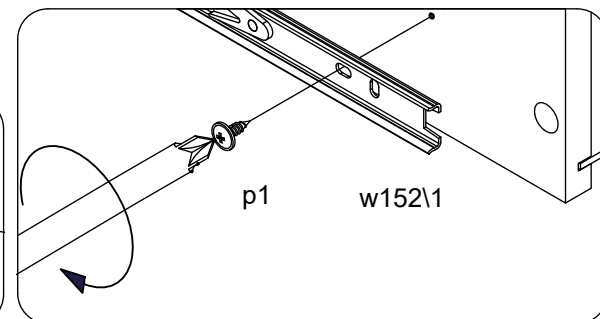
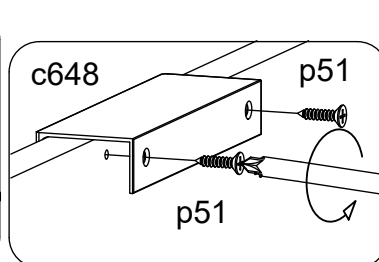
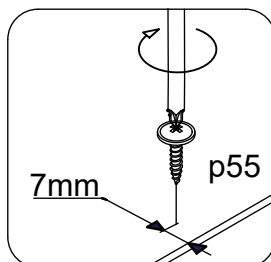
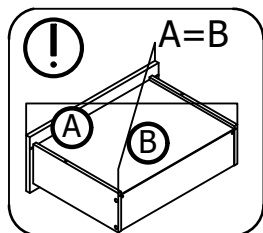
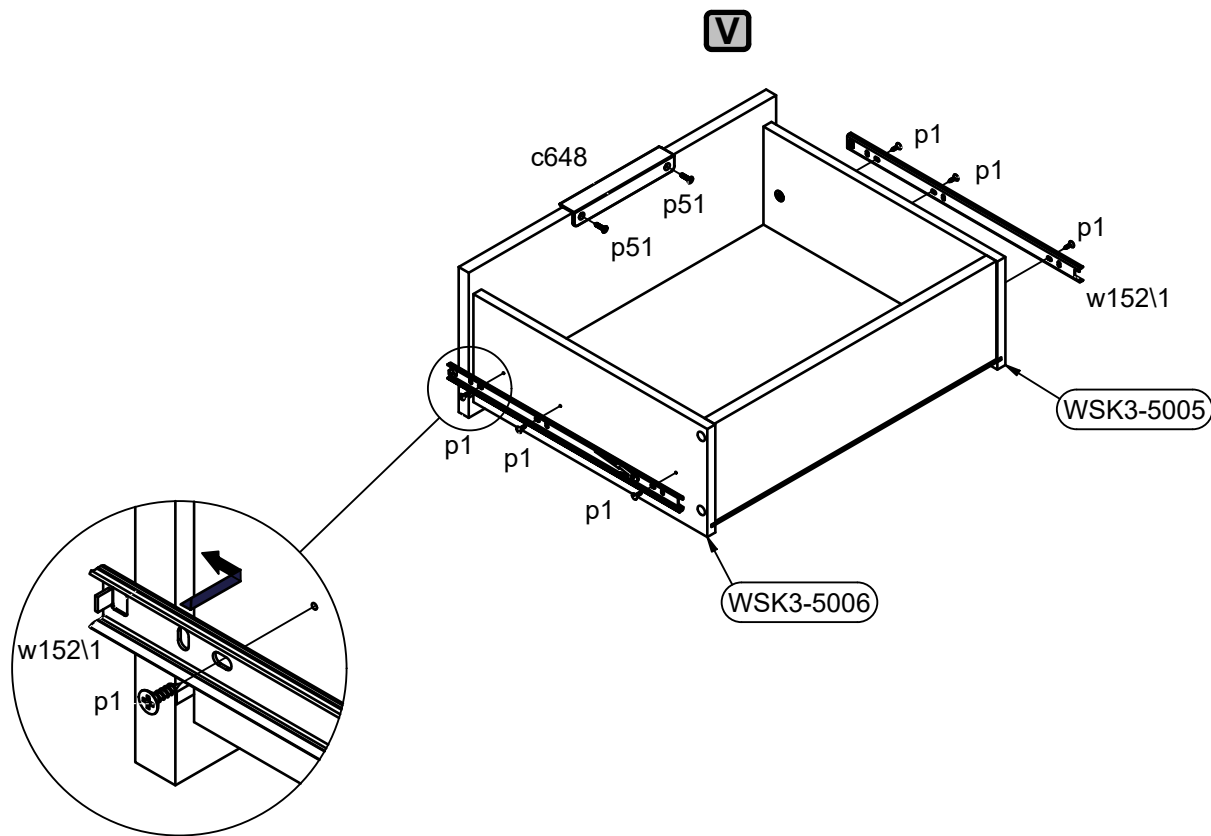
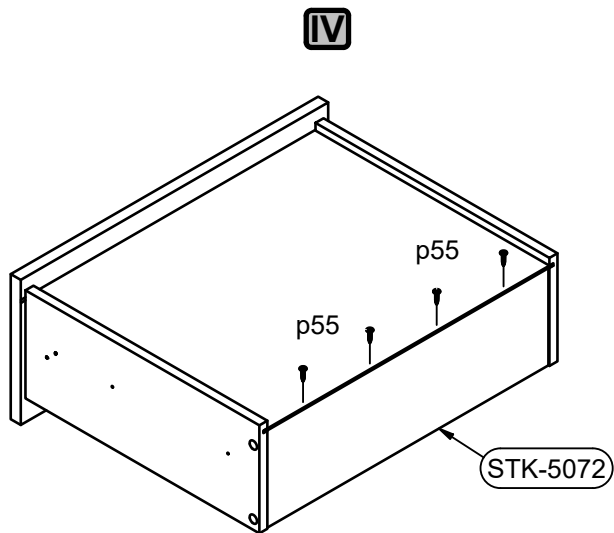
p55

 2.8x16mm 4x

p51

 3.5x15mm 2x

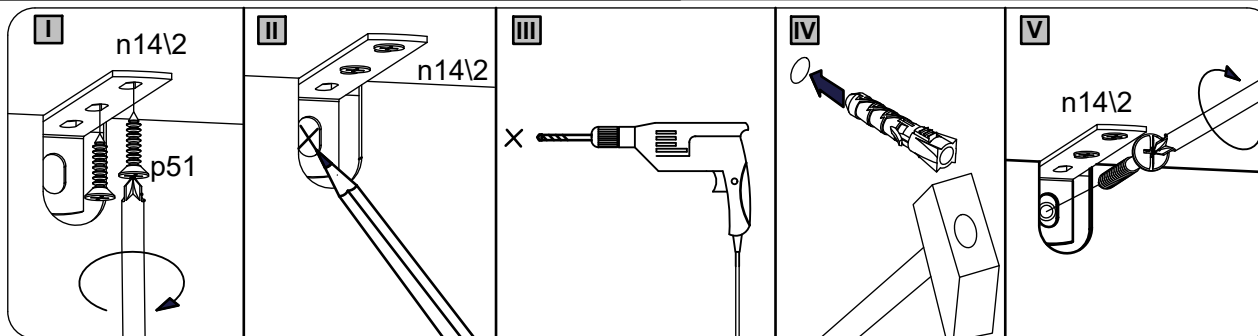
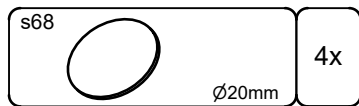
c648

 L149/128mm 1x

p1

 Ø3.5x13 mm 6x

w152\1

 L-350mm 2x



10



11

